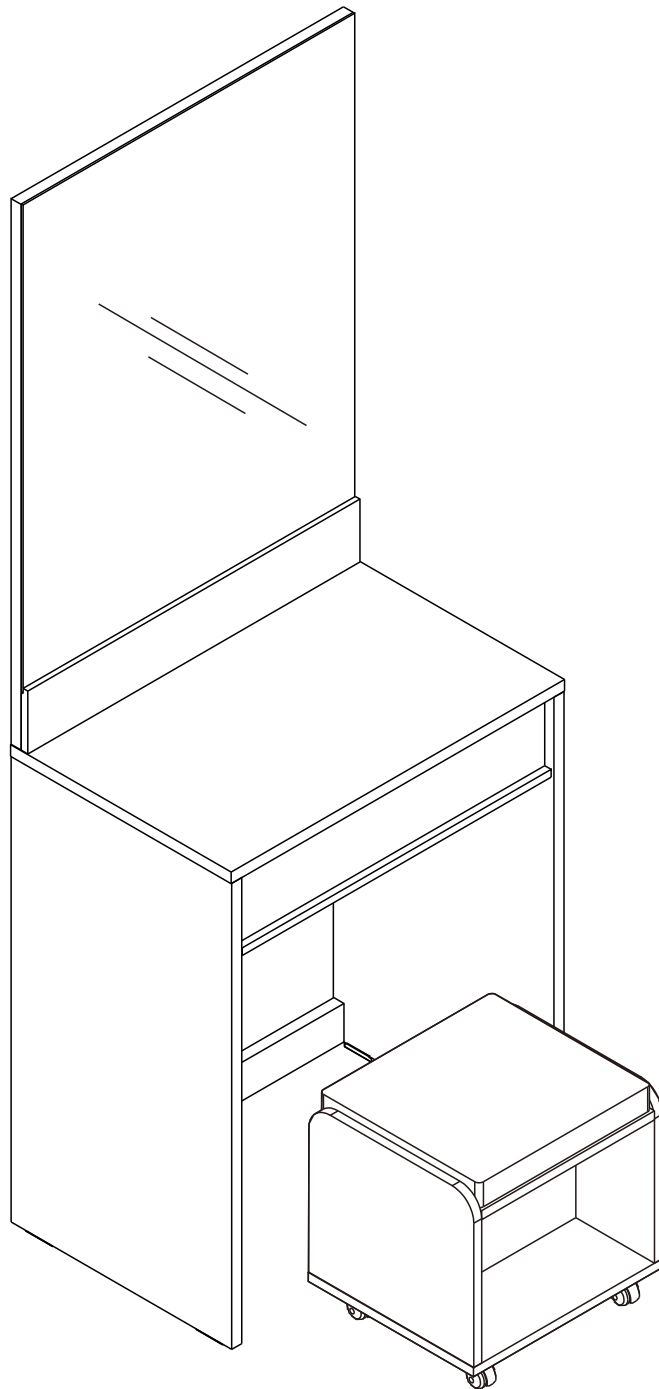
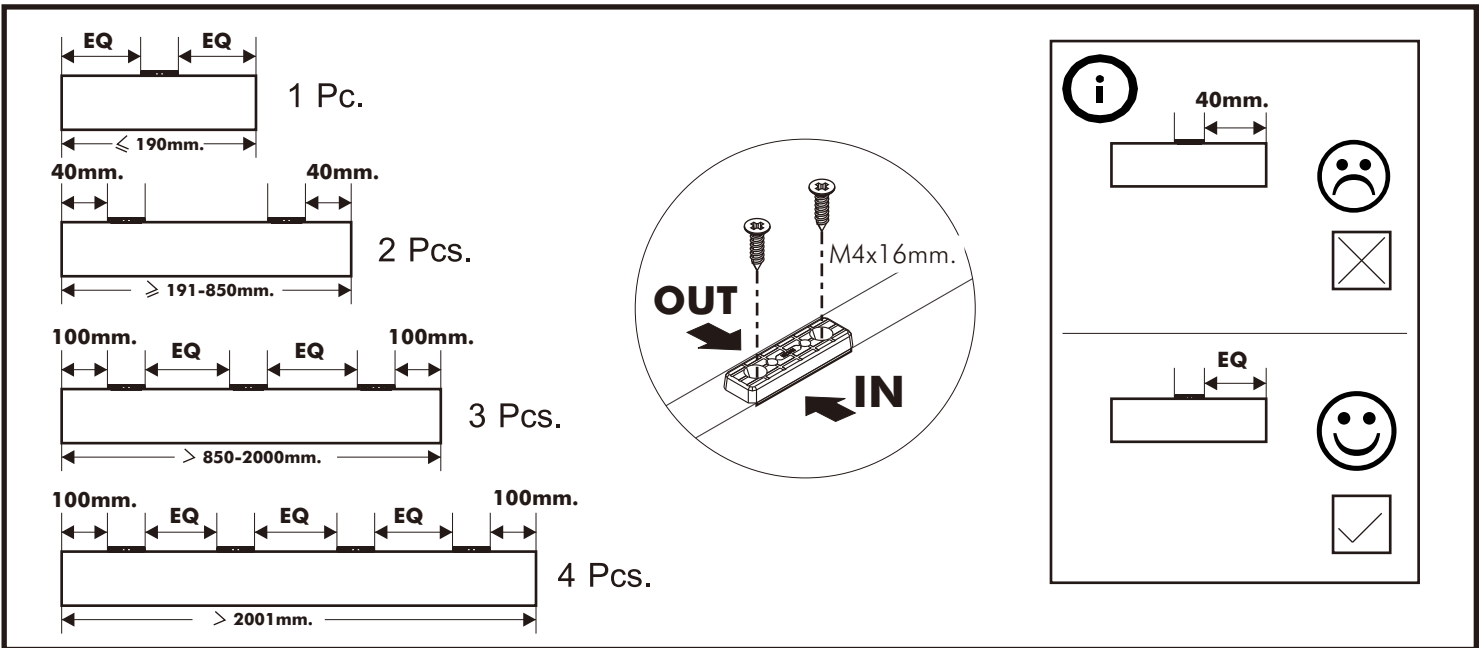
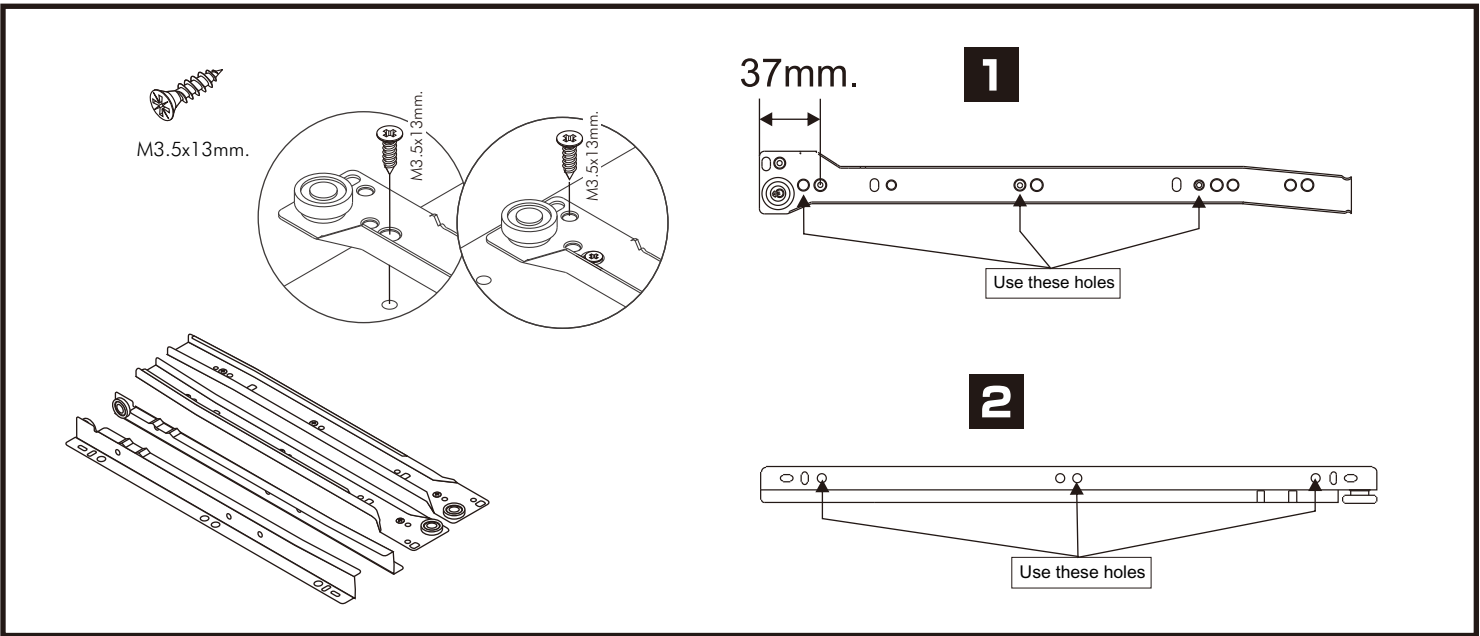
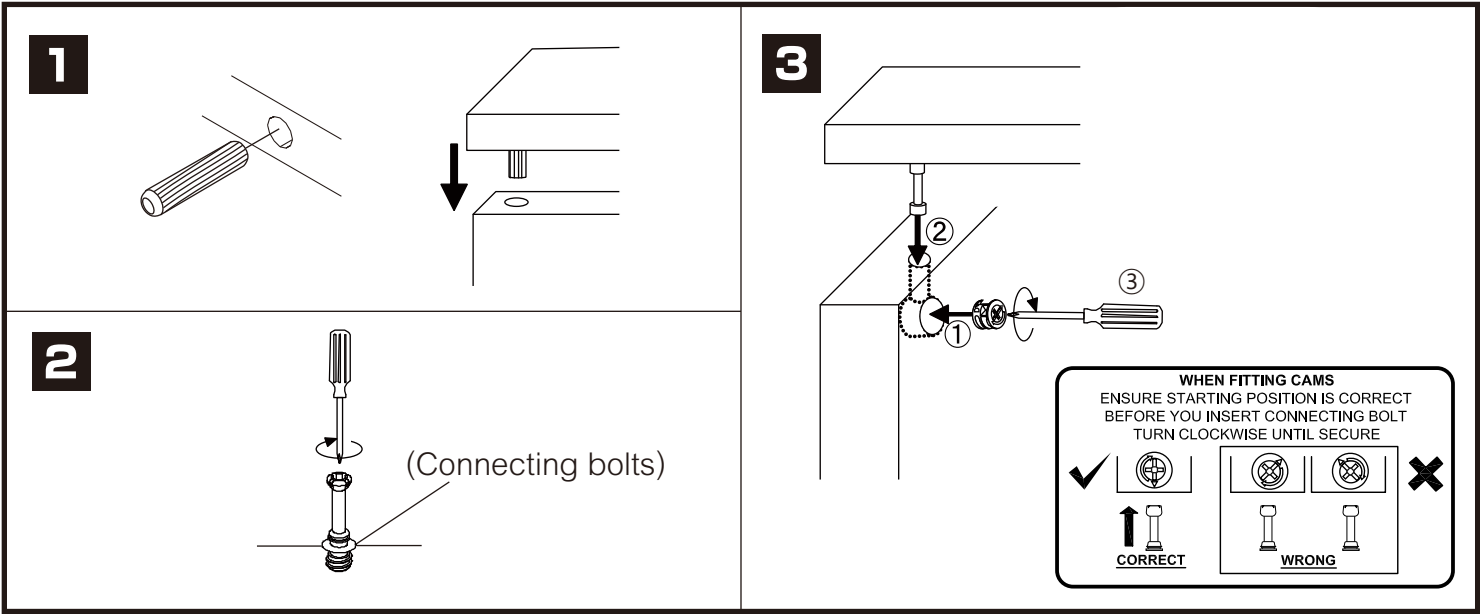


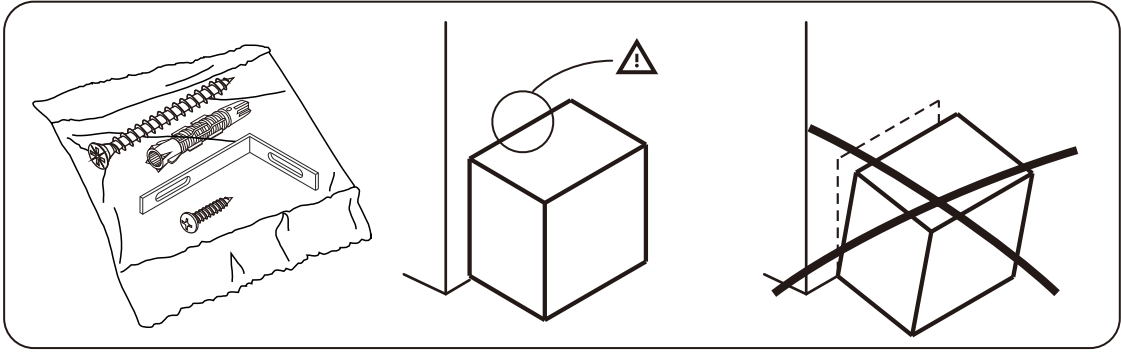
PLUS-P

Dressing table



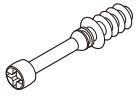
CONNECT SYSTEM





HARDWARE

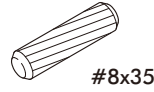
-BODY SET



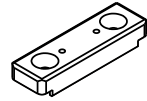
x 12



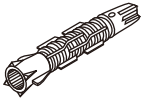
x 12



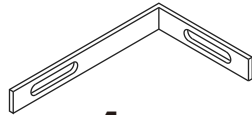
x 18



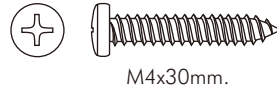
x 4



x 1



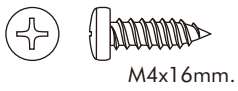
x 1



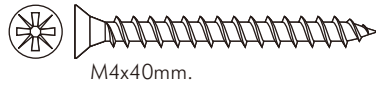
x 10



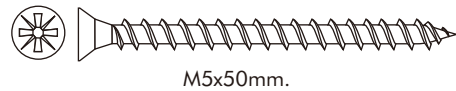
x 8



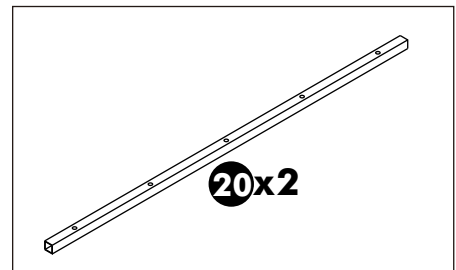
x 1



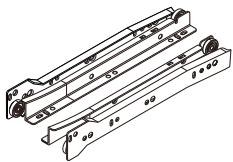
x 3



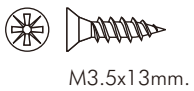
x 1



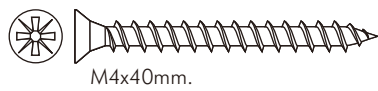
-DRAWER SET



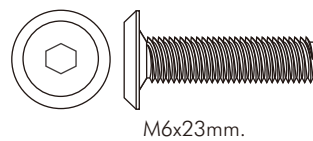
x 1



x 14



x 13

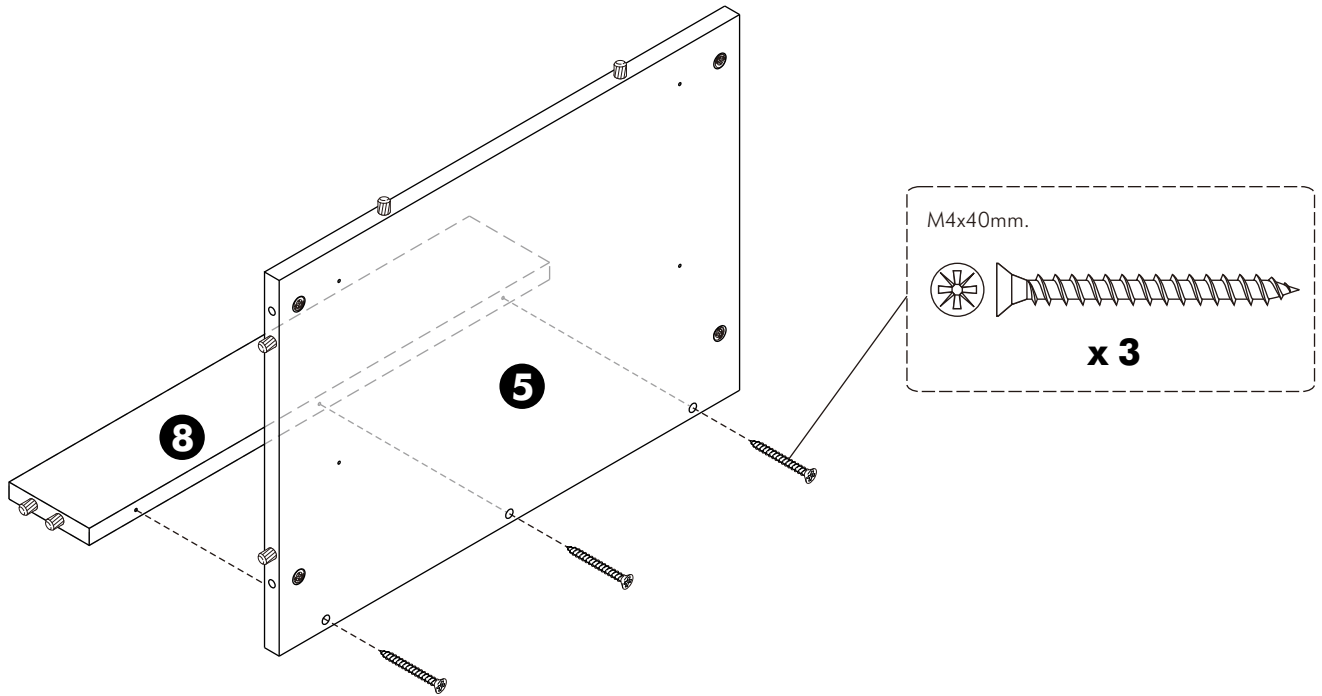


x 3

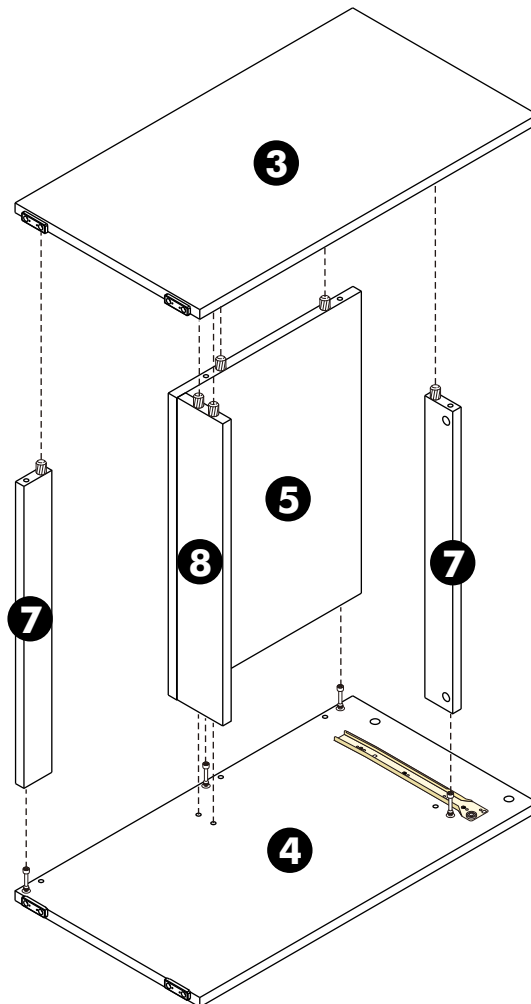
ASSEMBLY

-BODY SET

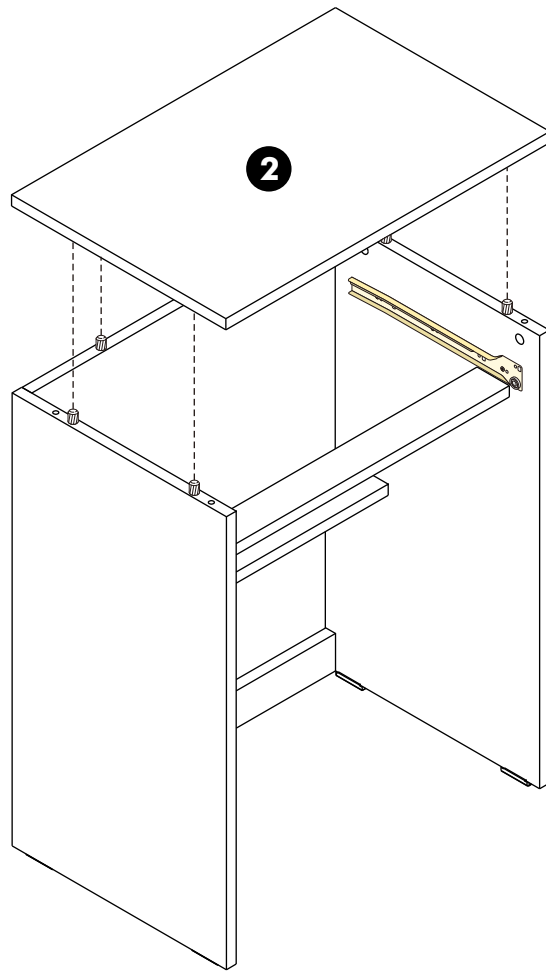
1.



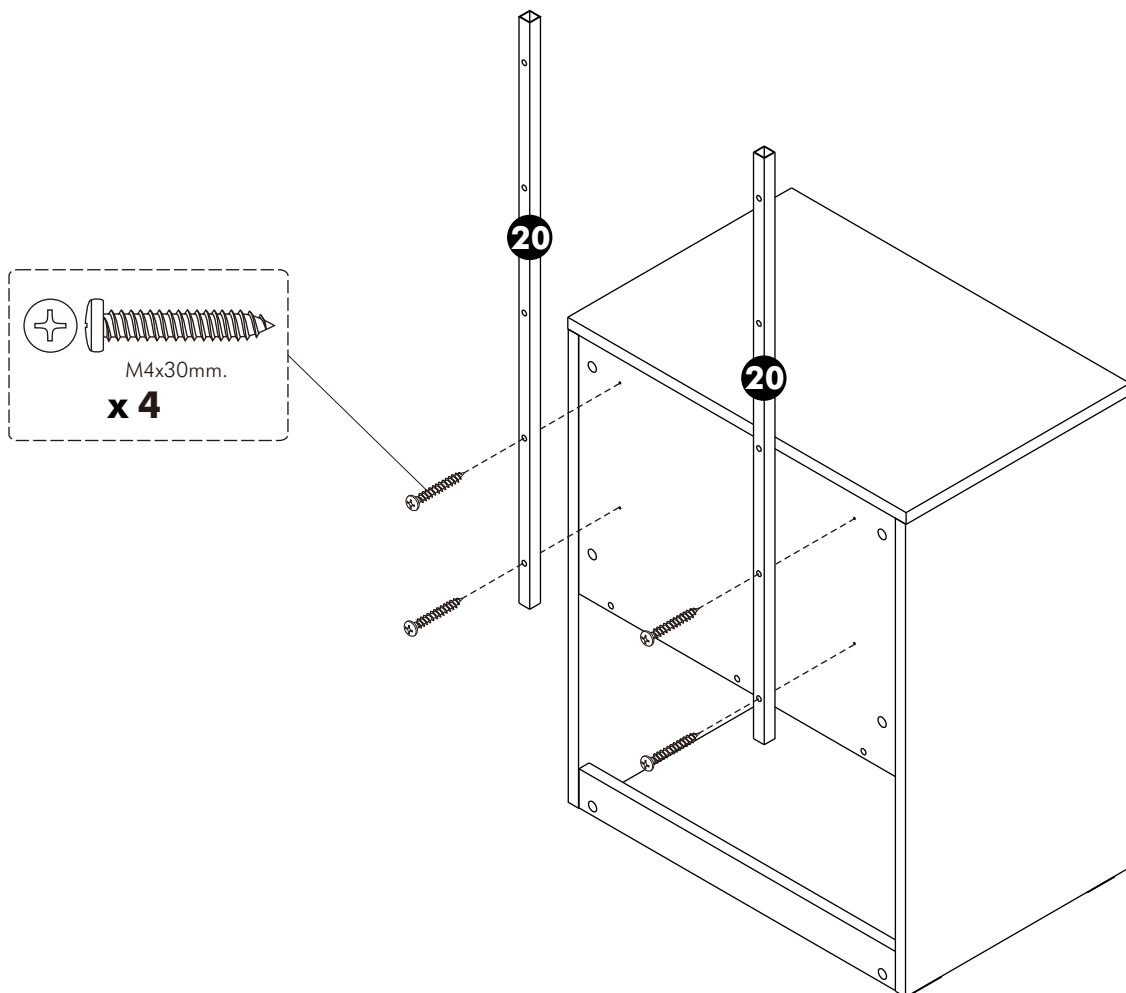
2.



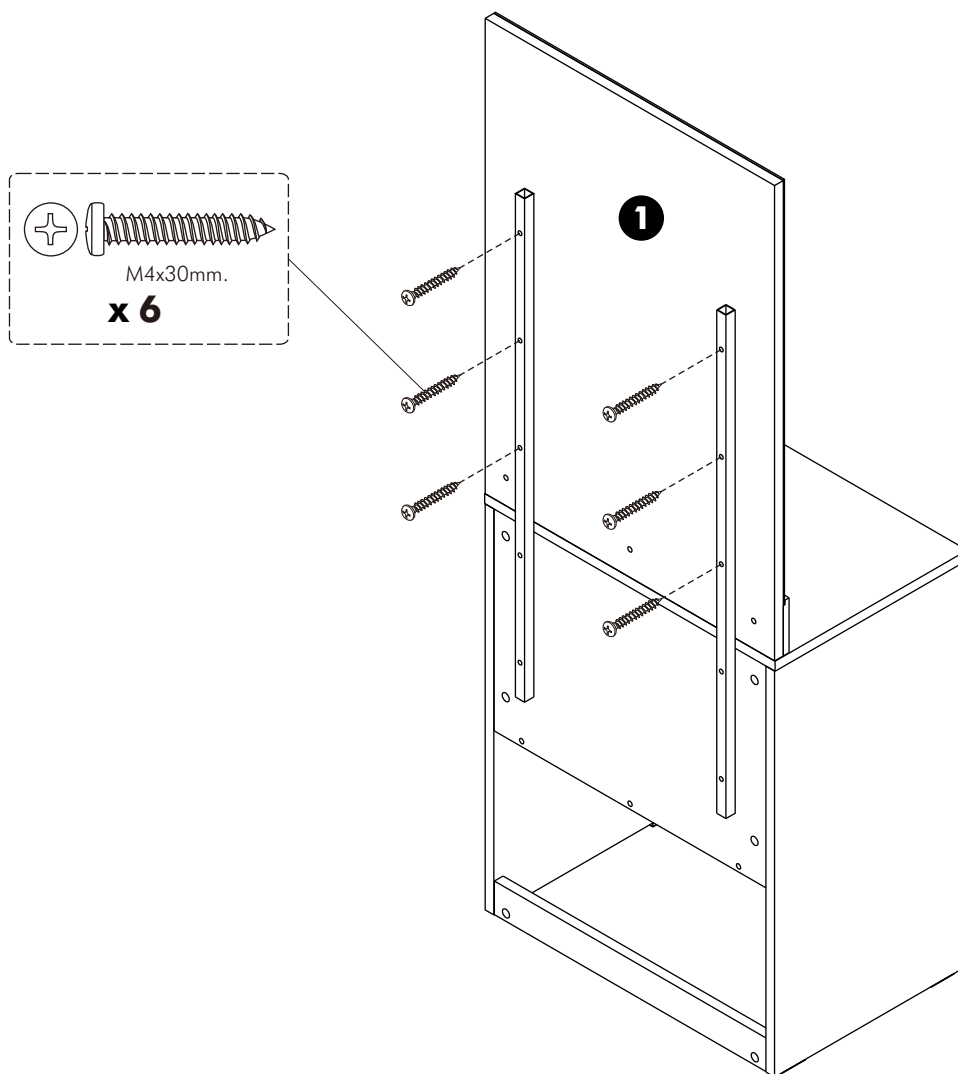
3.



4.



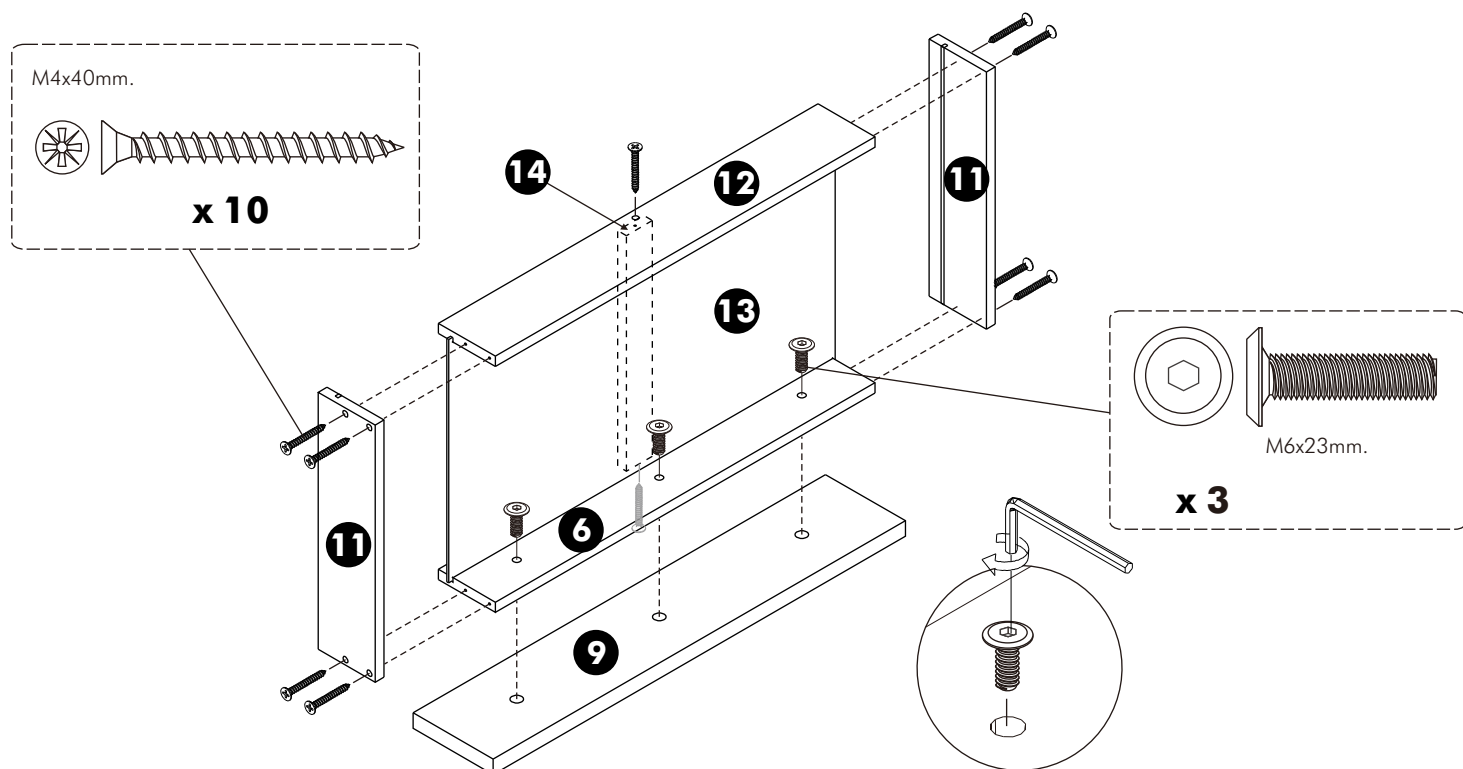
5.



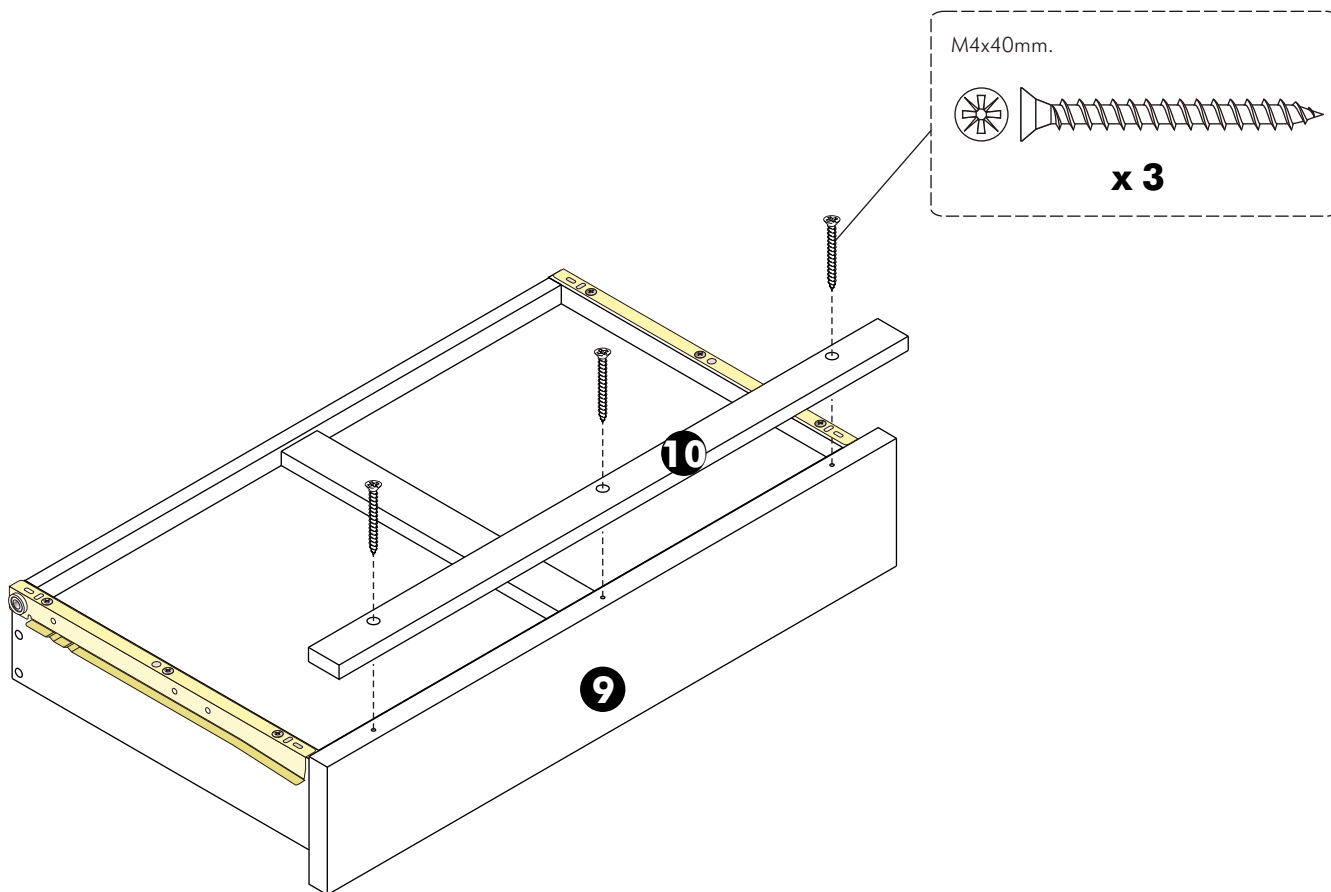
6.

ASSEMBLY

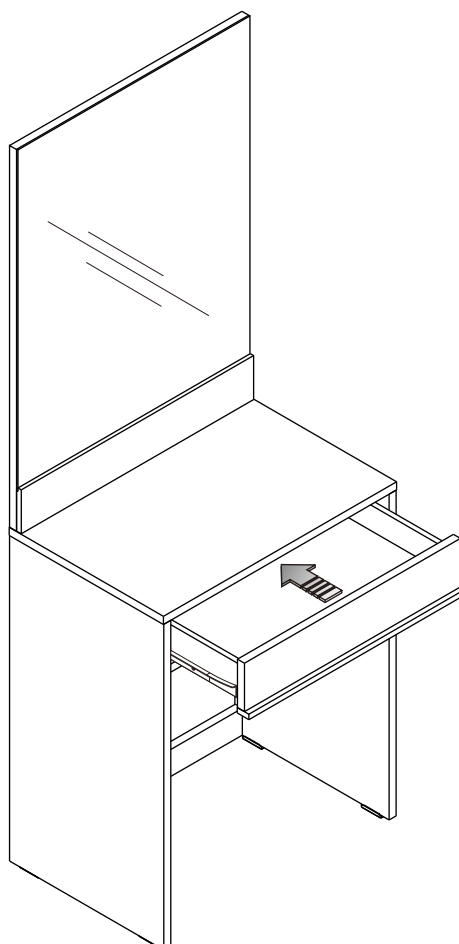
-DRAWER SET



7.

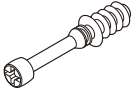


8.



HARDWARE

-BODY SET



x 4



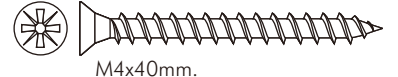
12mm.

x 4



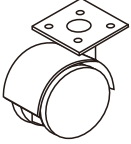
#6x35

x12



M4x40mm.

x 4



x 4



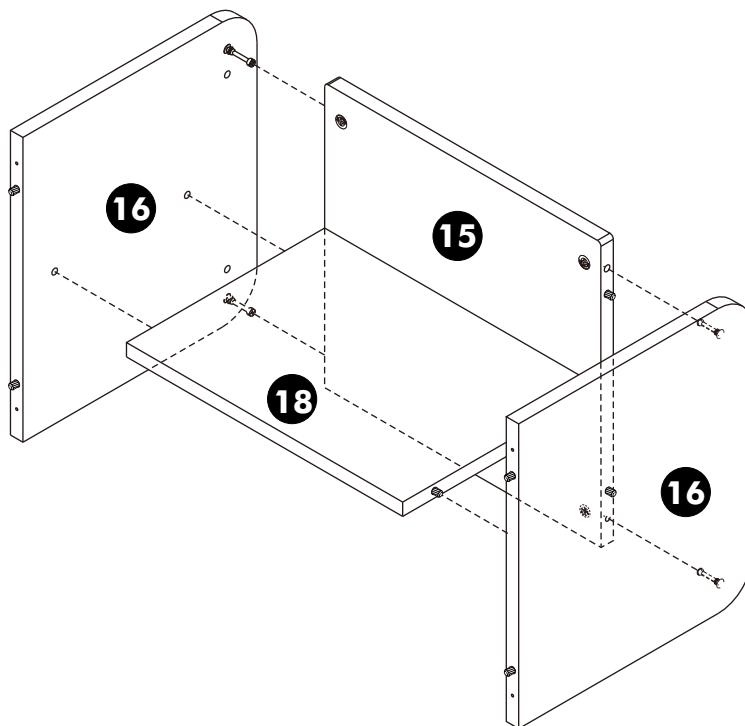
M3.5x13mm.

x16

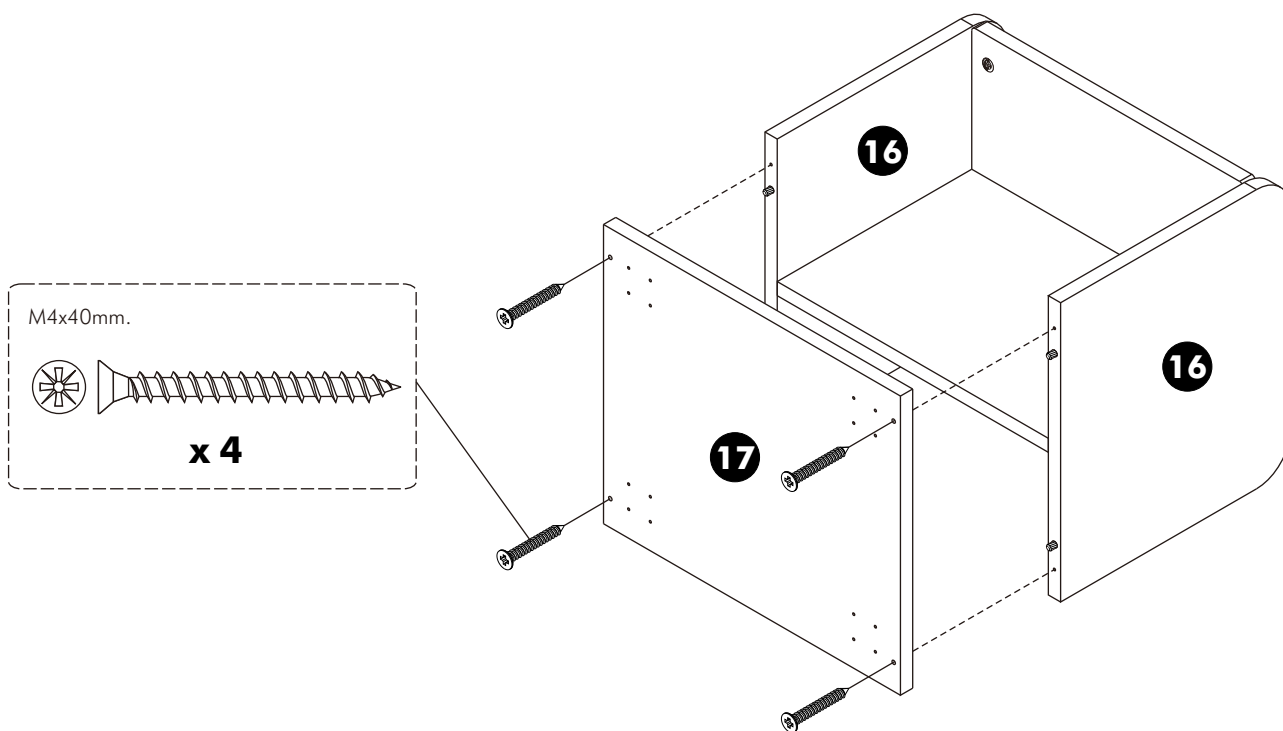
ASSEMBLY

-BODY SET

9.



10.



11.

