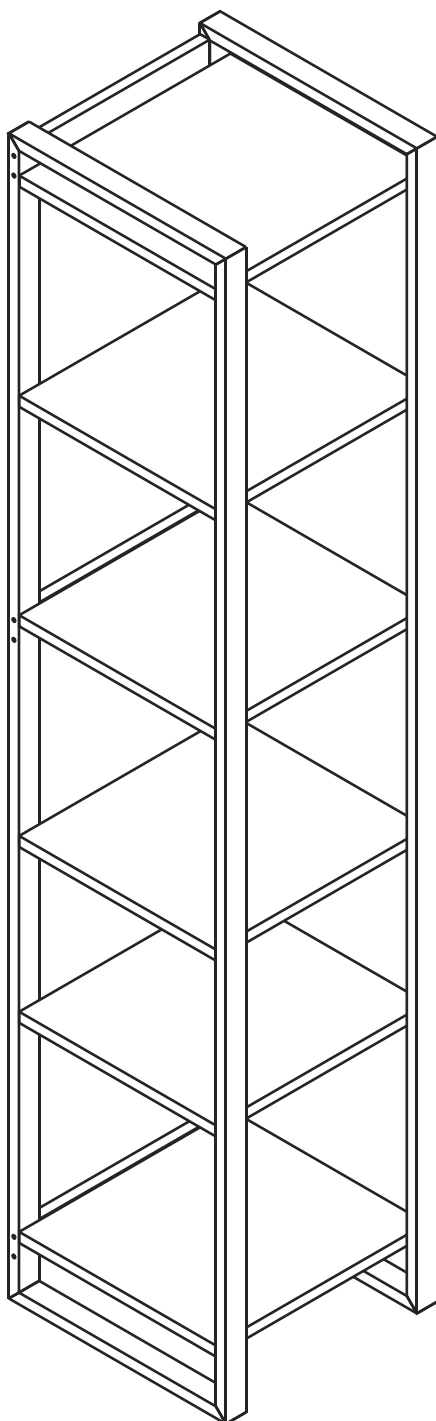
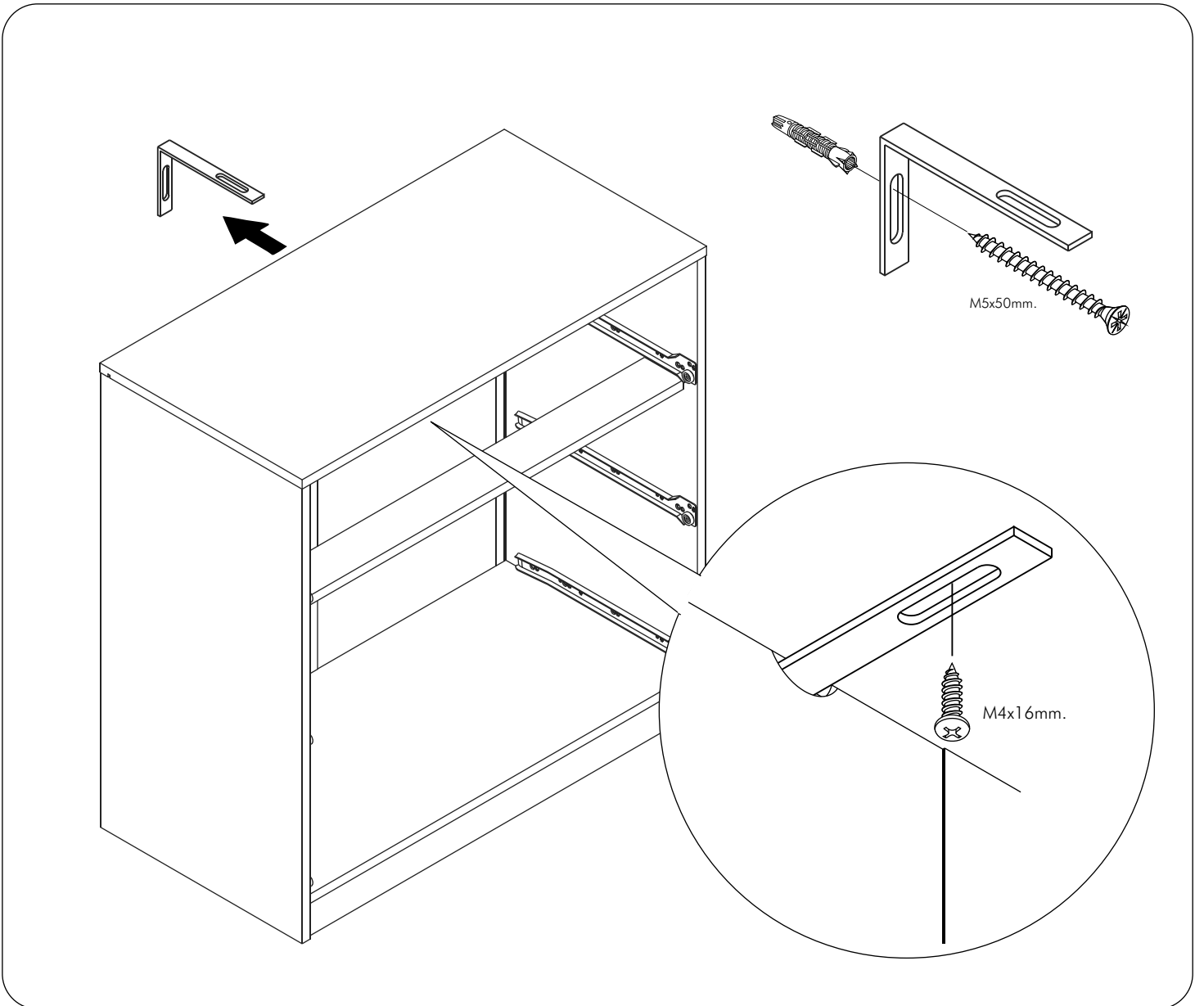
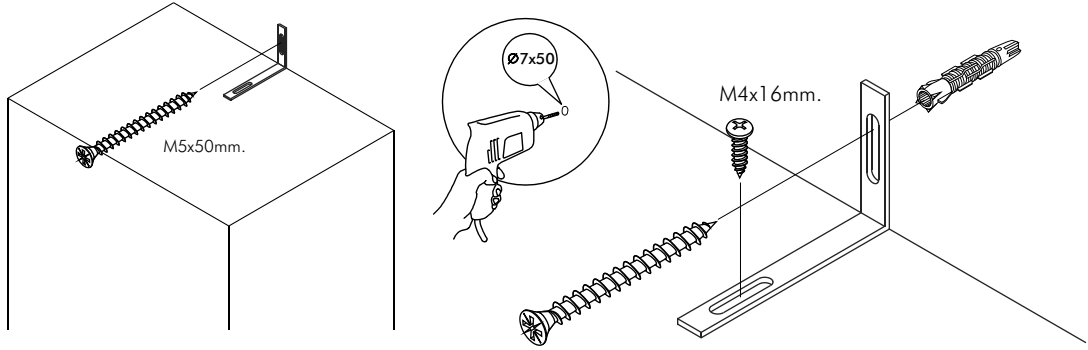
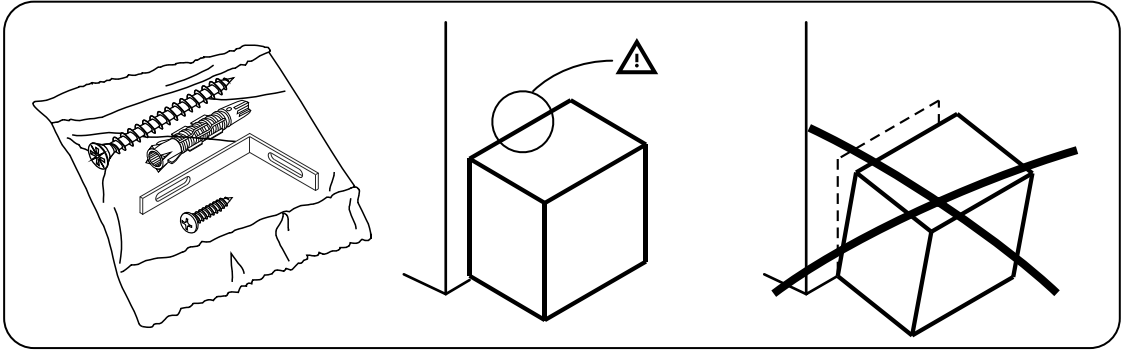


LOFTER

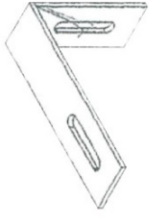
Shelf unit 6 tier 40 cm



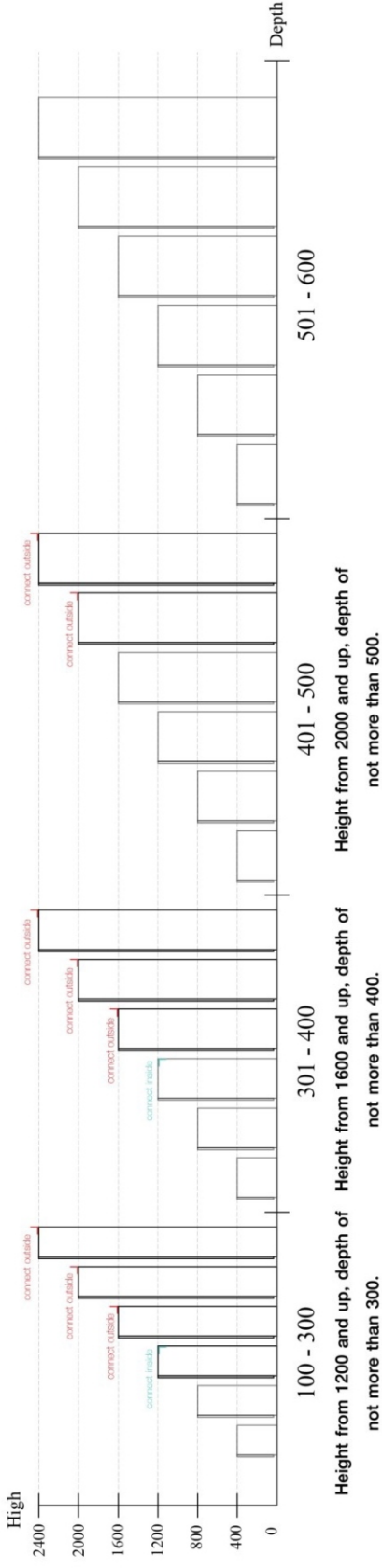


The Standard for identifying which mounted safety fall protection fitting to use **Note : That children's products must be installed with all anti-falling fittings.**

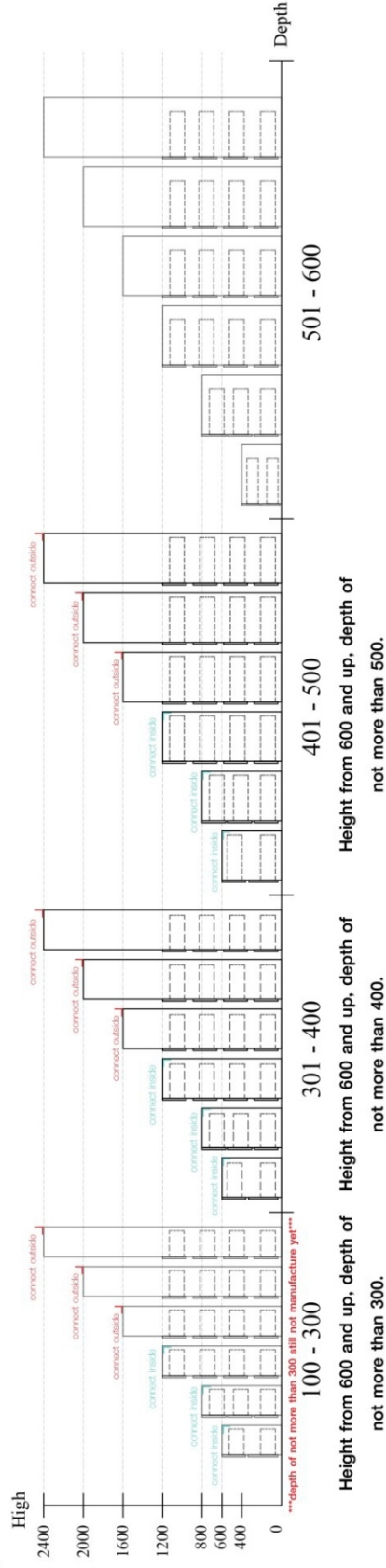
■ Mounted fall protection fittings



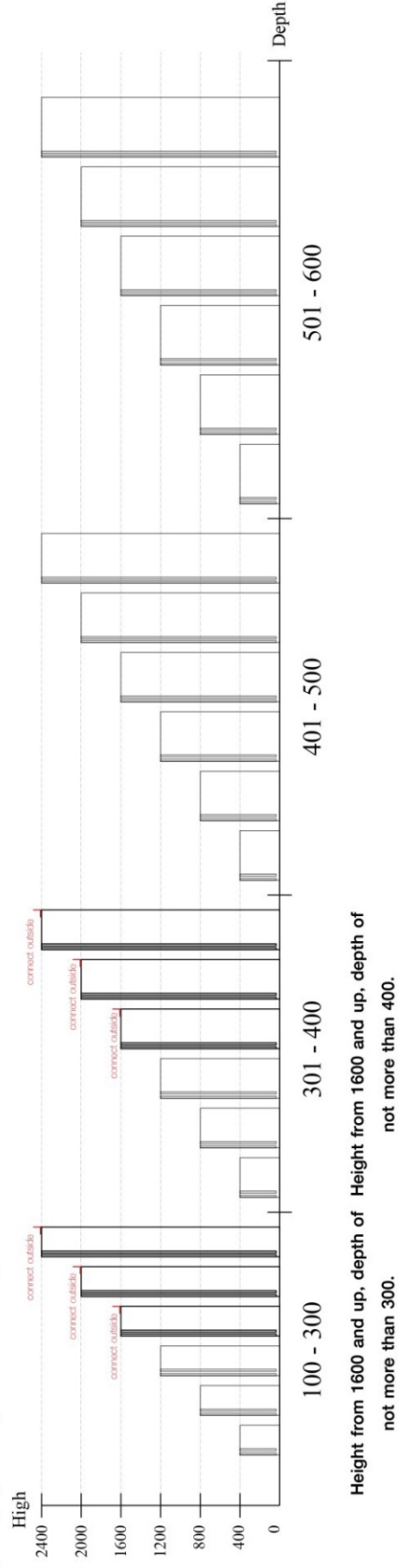
■ Category : Cabinet with open doors

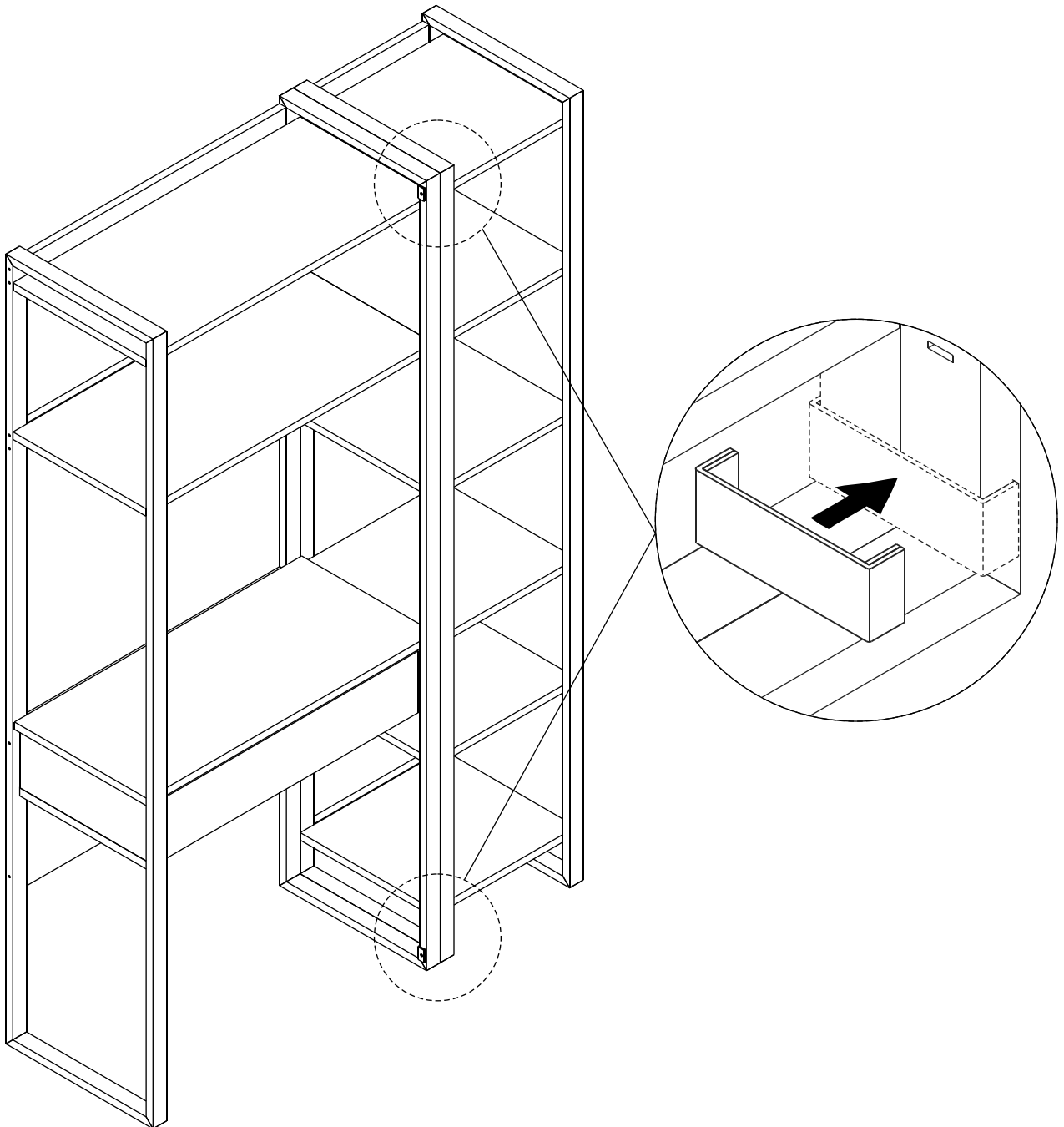
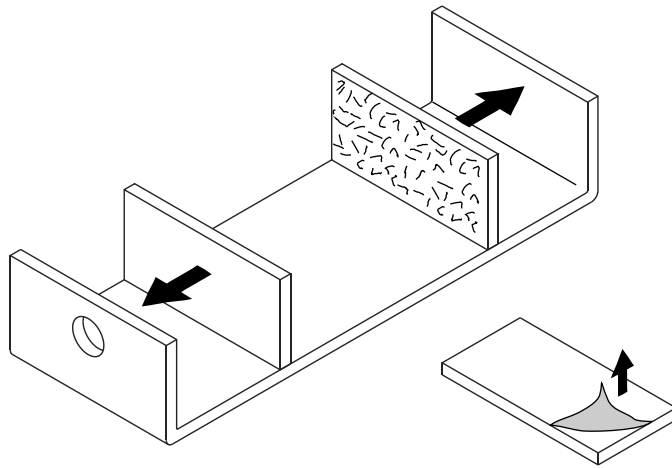


■ Category : Chest of drawers



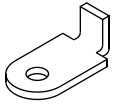
■ Category : Sliding door cabinet / Open cabinet



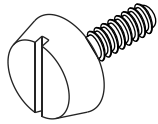


HARDWARE

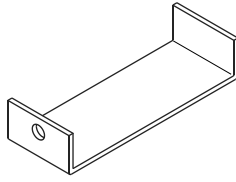
-BODY SET



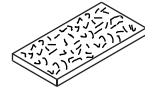
x 24



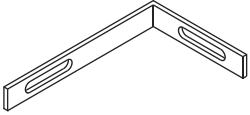
x 4



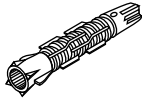
x 2



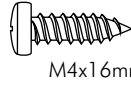
x 4



x 1

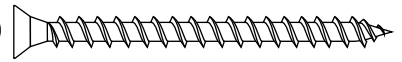


x 1



M4x16mm.

x 1



M5x50mm.

x 1



M4x16mm.

x 24



M4x40mm.

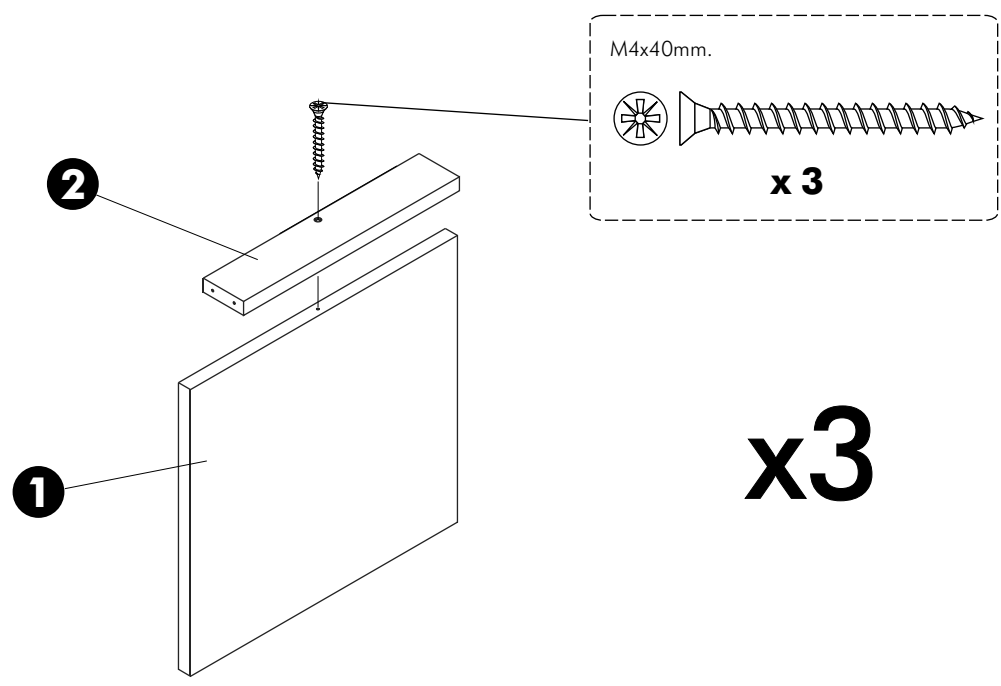
x 3



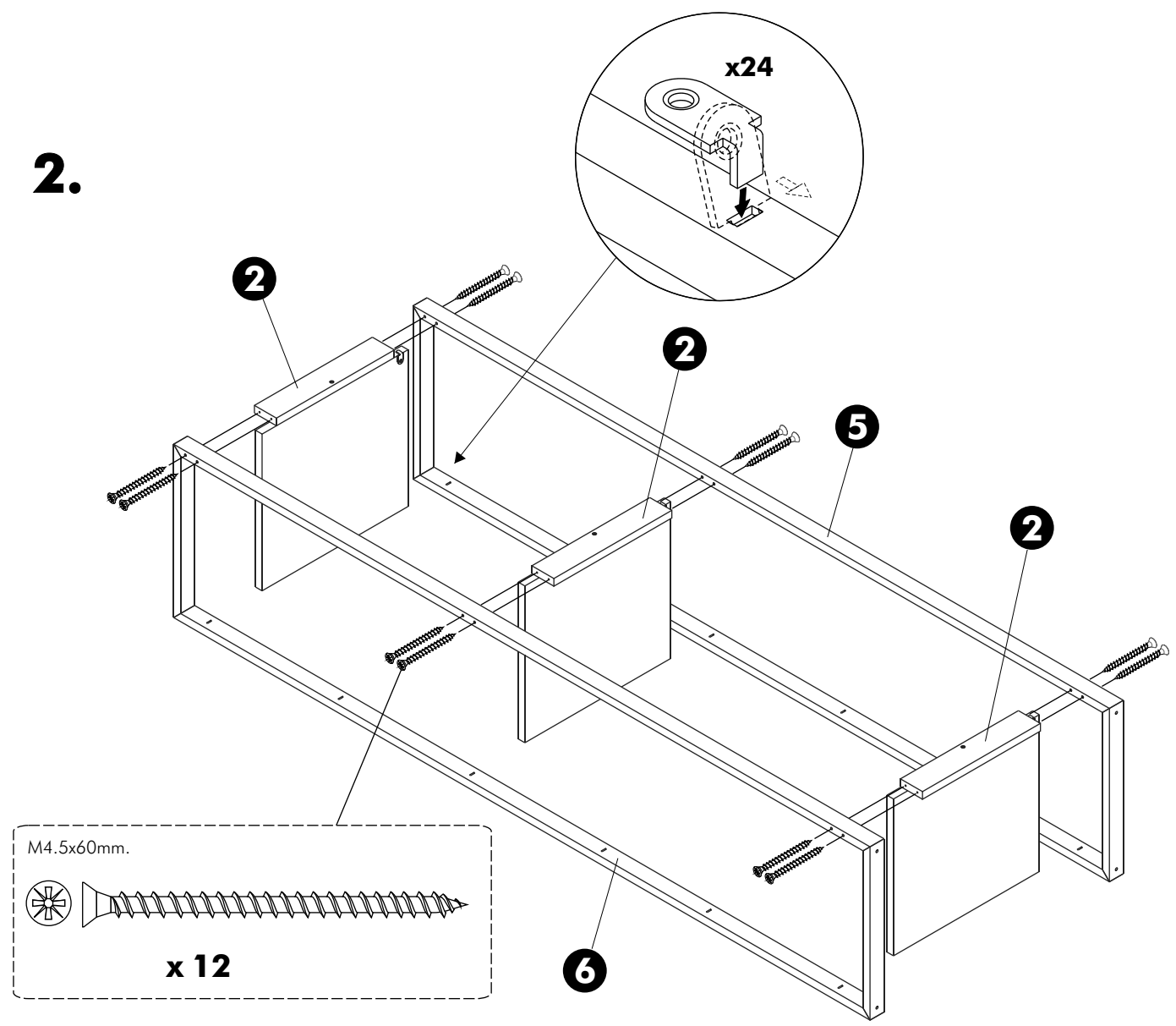
M4.5x60mm.

x 12

1.



2.



3.

