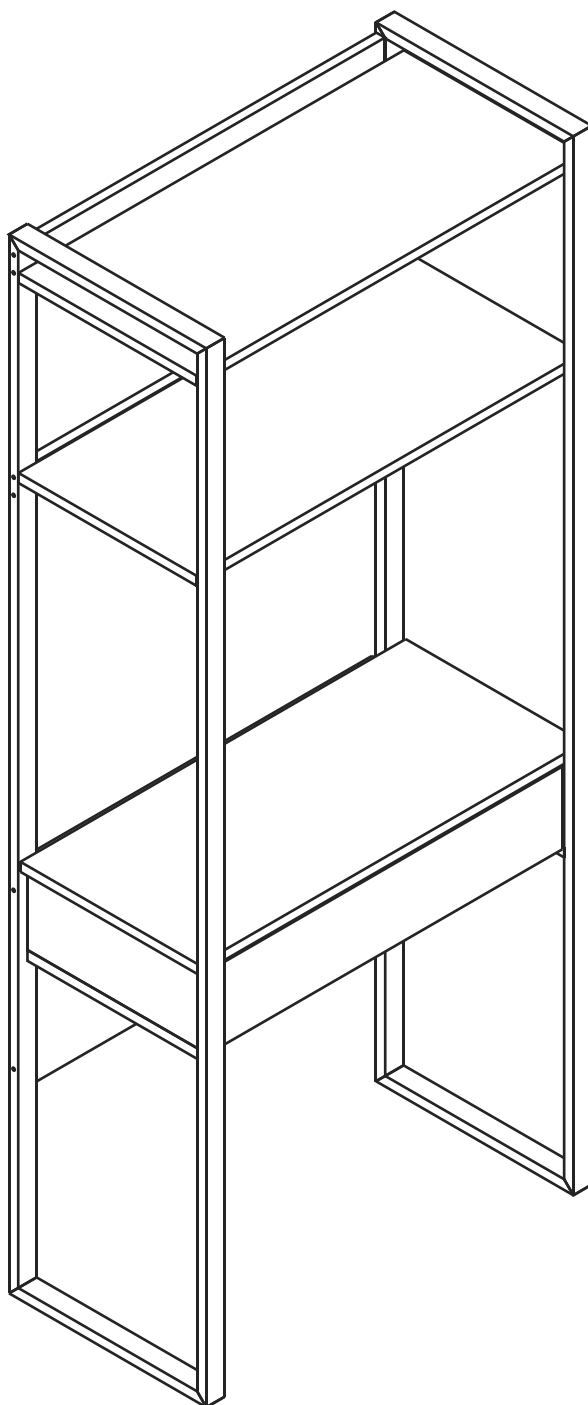
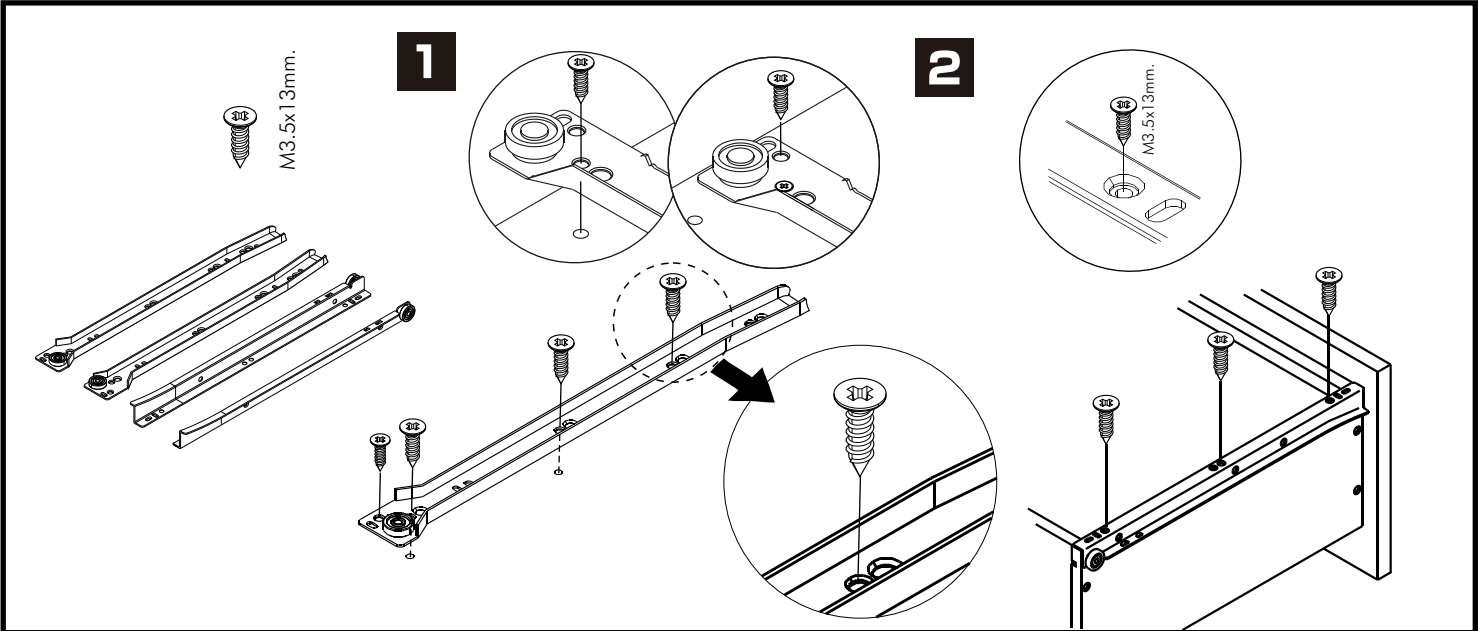
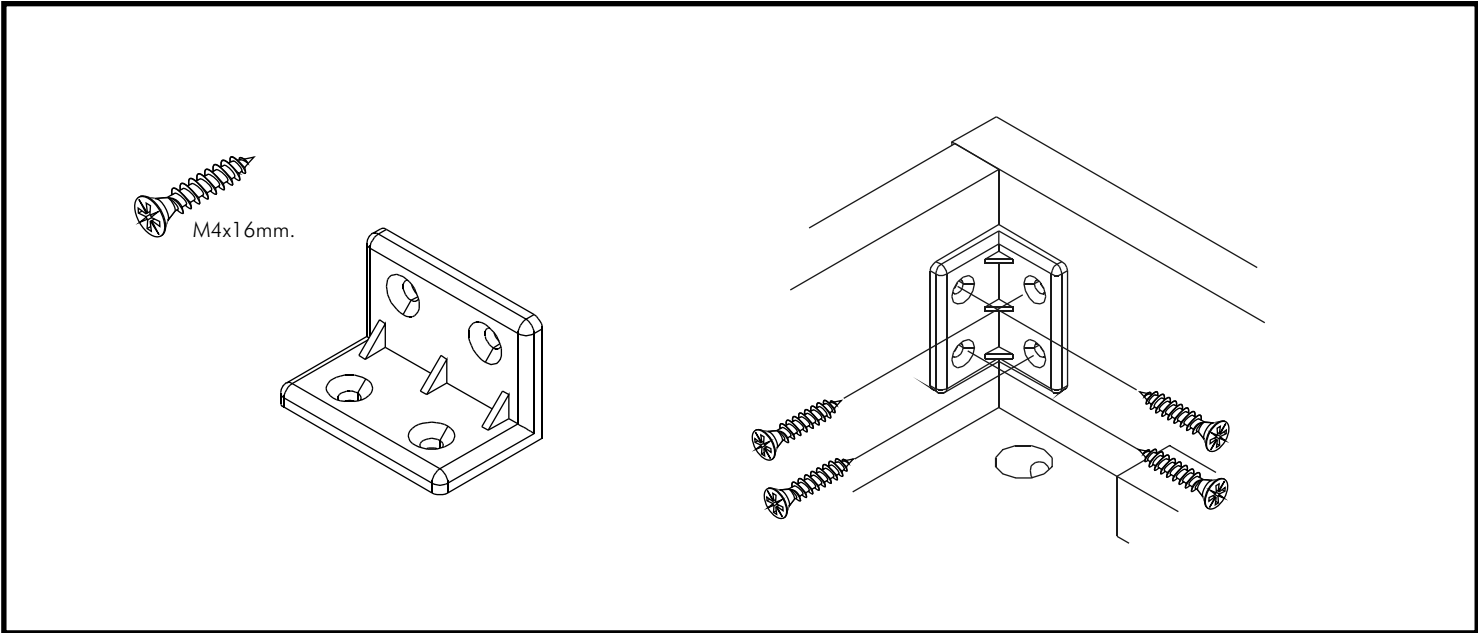
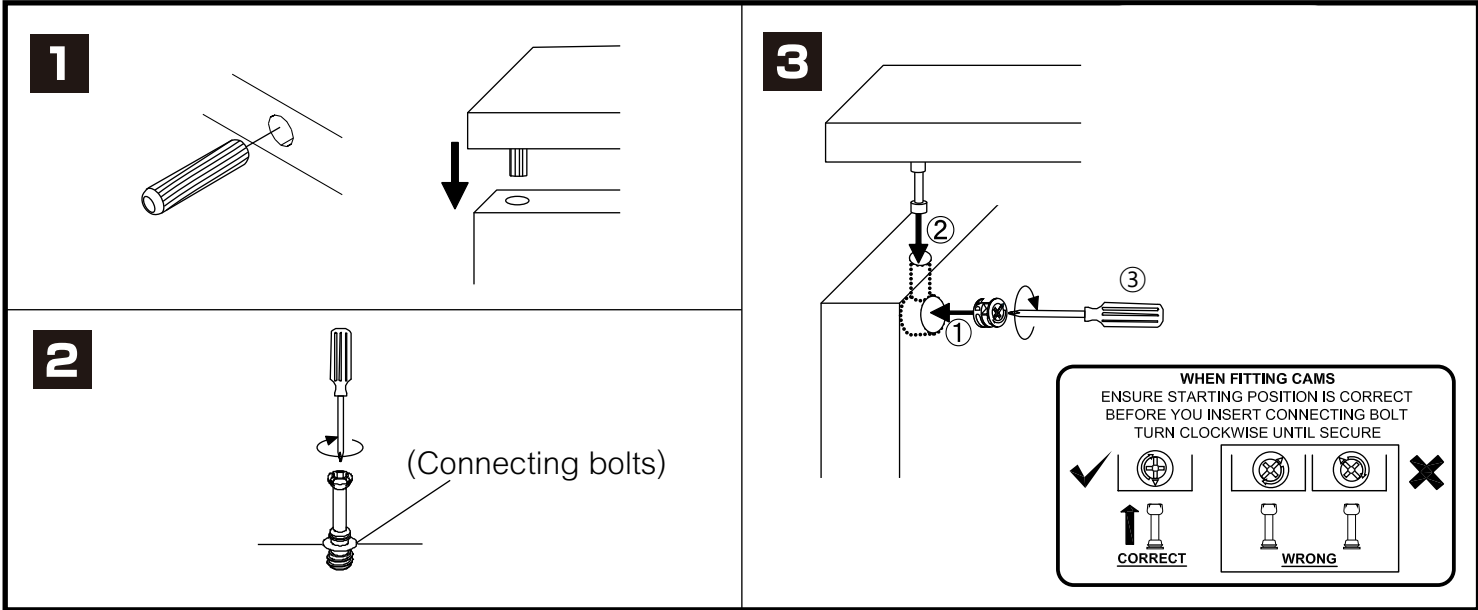


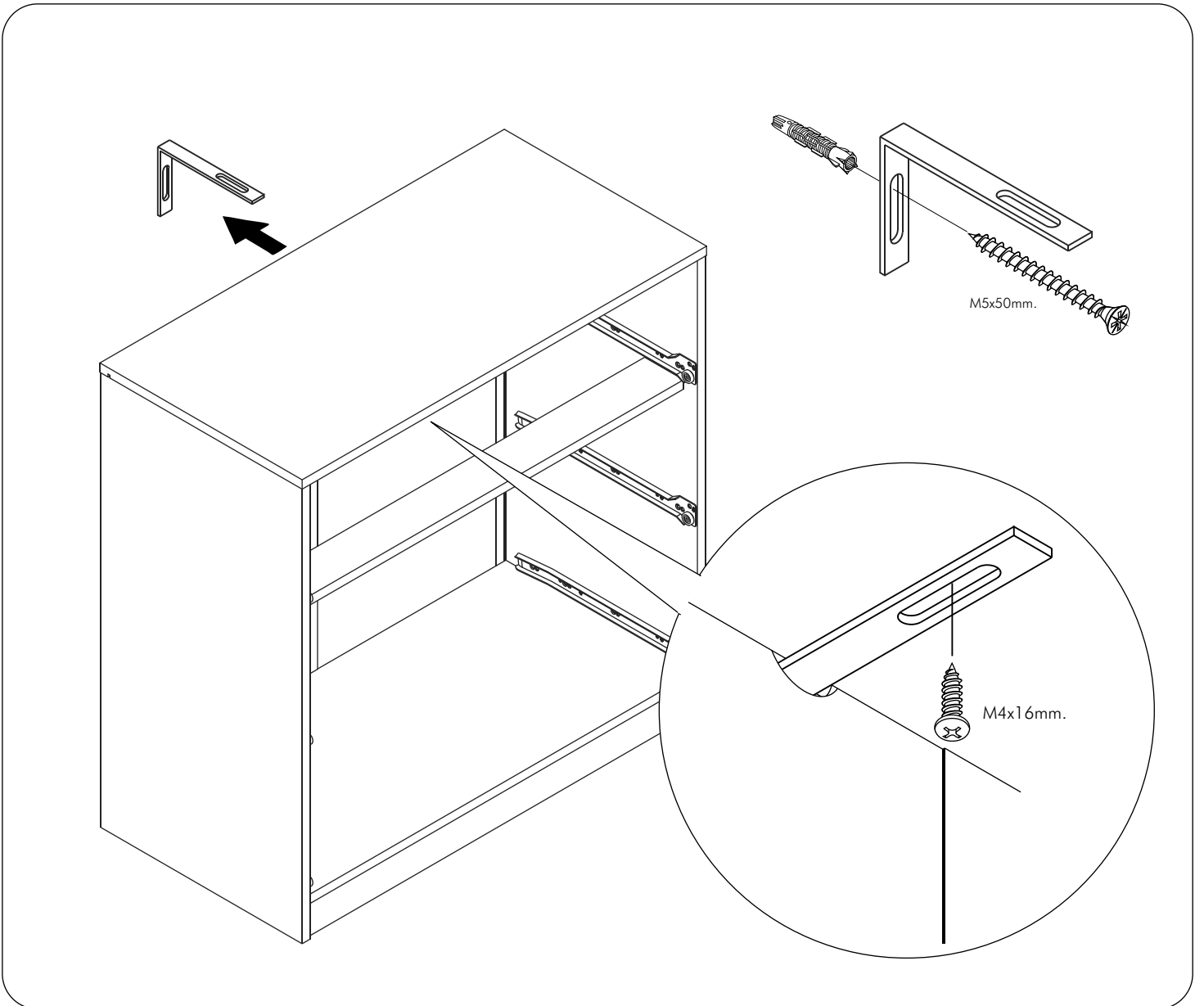
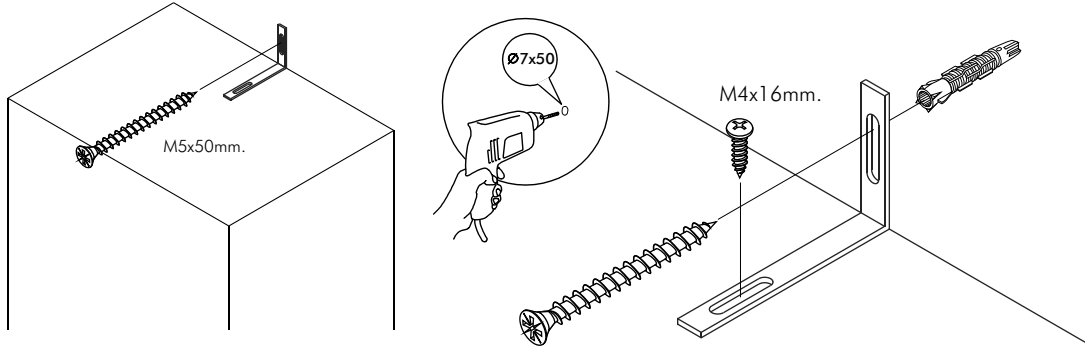
LOFTER

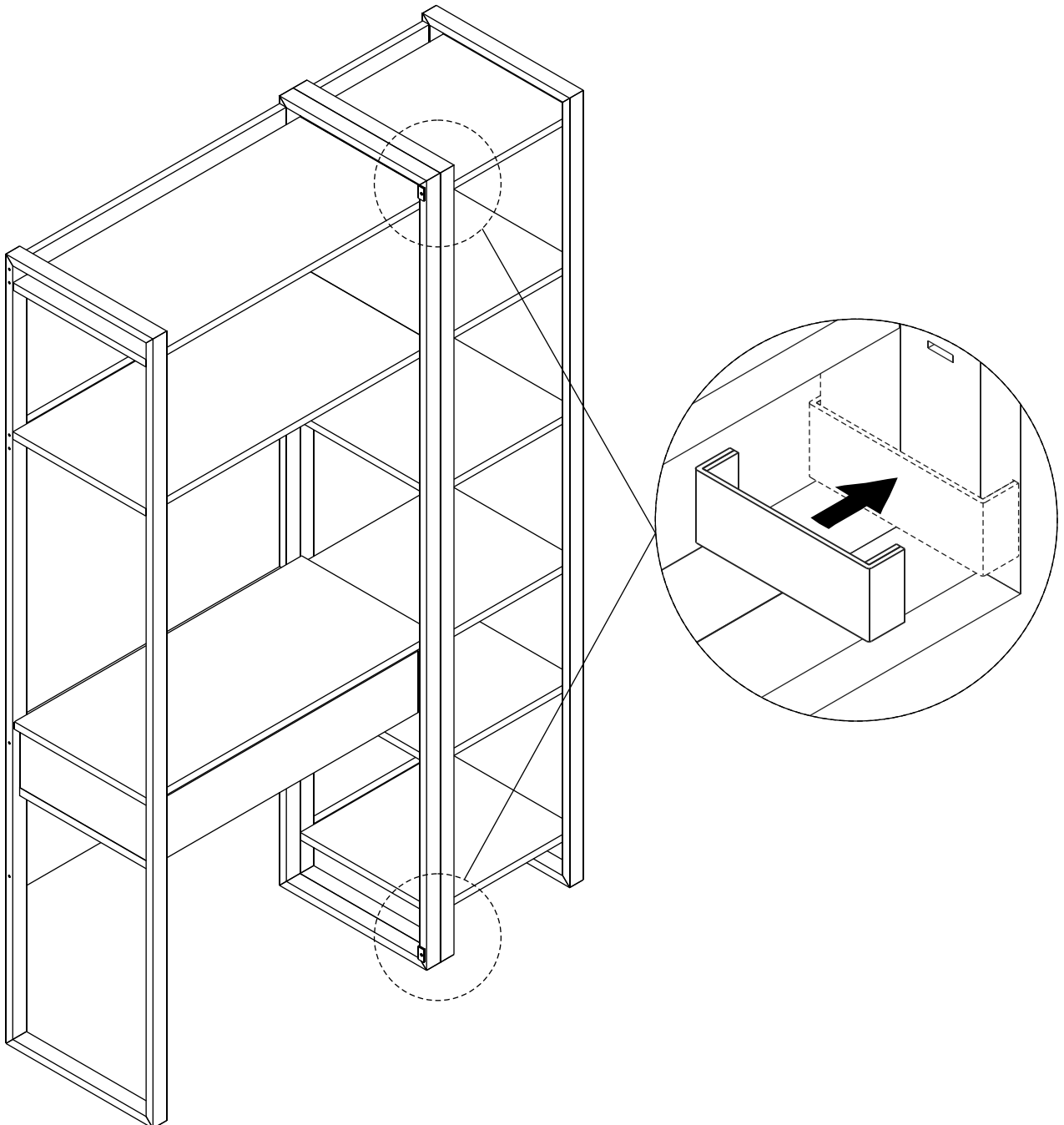
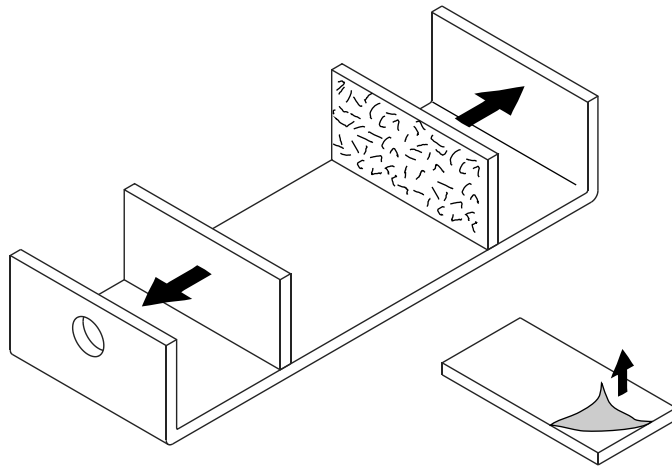
Working&Dressing unit 80



CONNECT SYSTEM

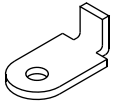




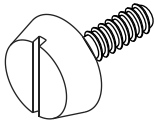


HARDWARE

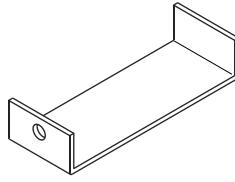
-BODY SET



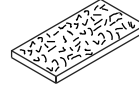
x 8



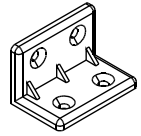
x 4



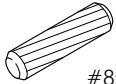
x 2



x 4

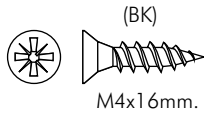


x 6



#8x35

x 4



M4x16mm.

x 8



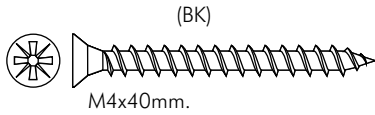
M4x16mm.

x 28



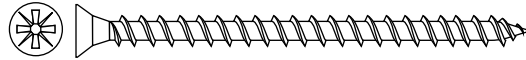
M4x30mm.

x 3



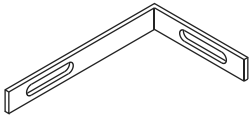
M4x40mm.

x 10

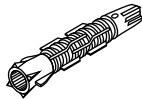


M4.5x60mm.

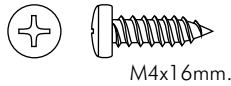
x 12



x 1



x 1



M4x16mm.

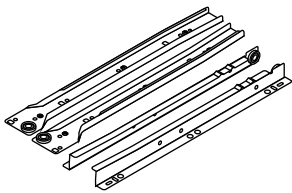
x 1



M5x50mm.

x 1

-DRAWER SET

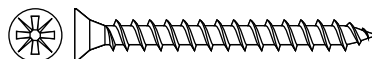


x 1



M3.5x13mm.

x 14

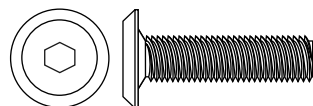


M4x40mm.

x 12



x 1



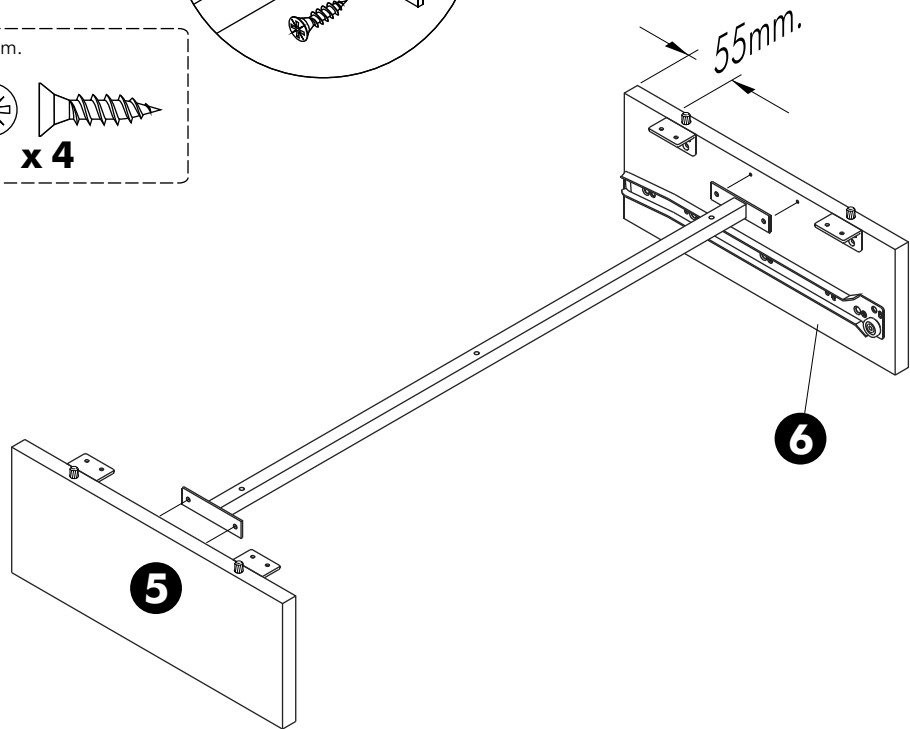
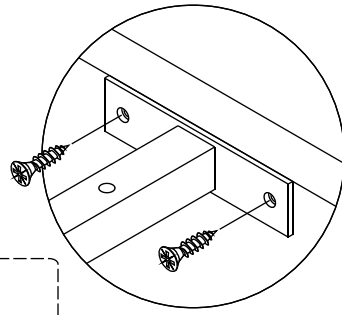
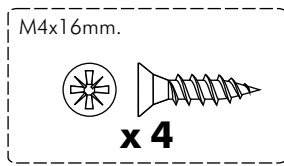
M6x25mm.

x 3

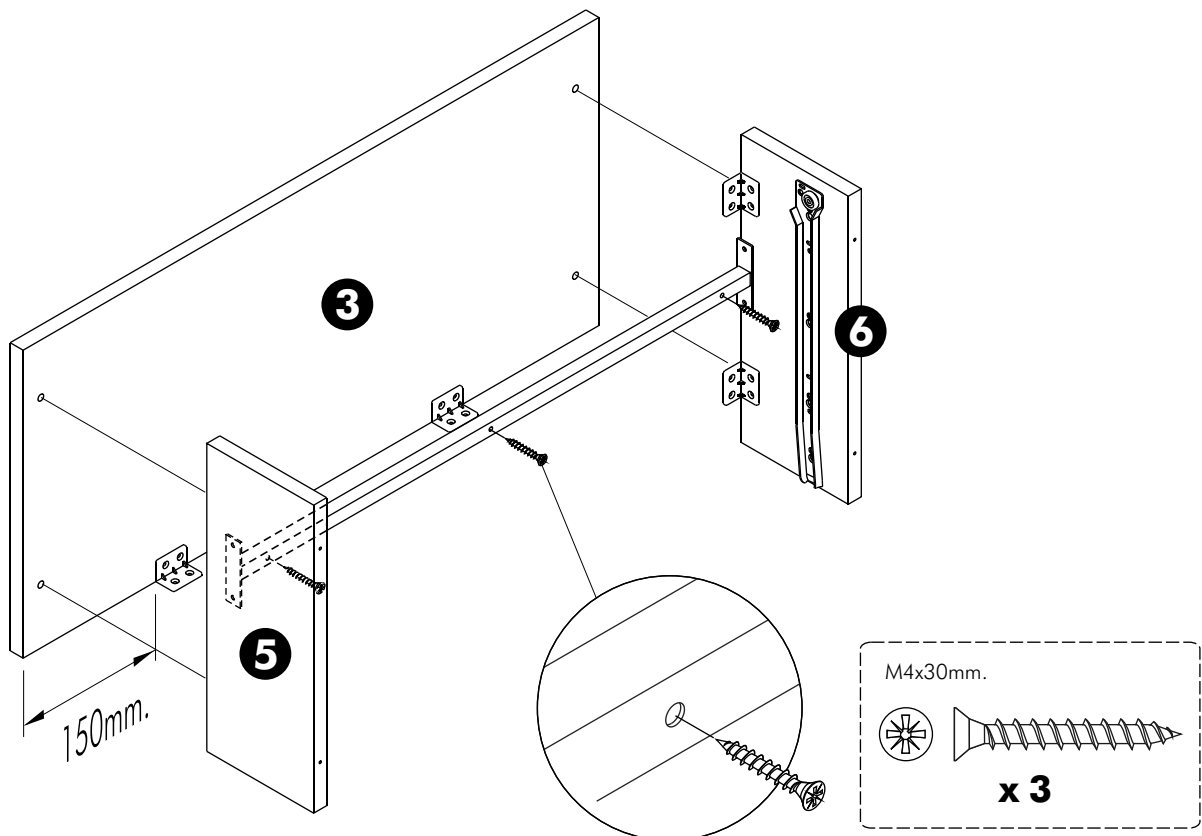
ASSEMBLY

-BODY SET

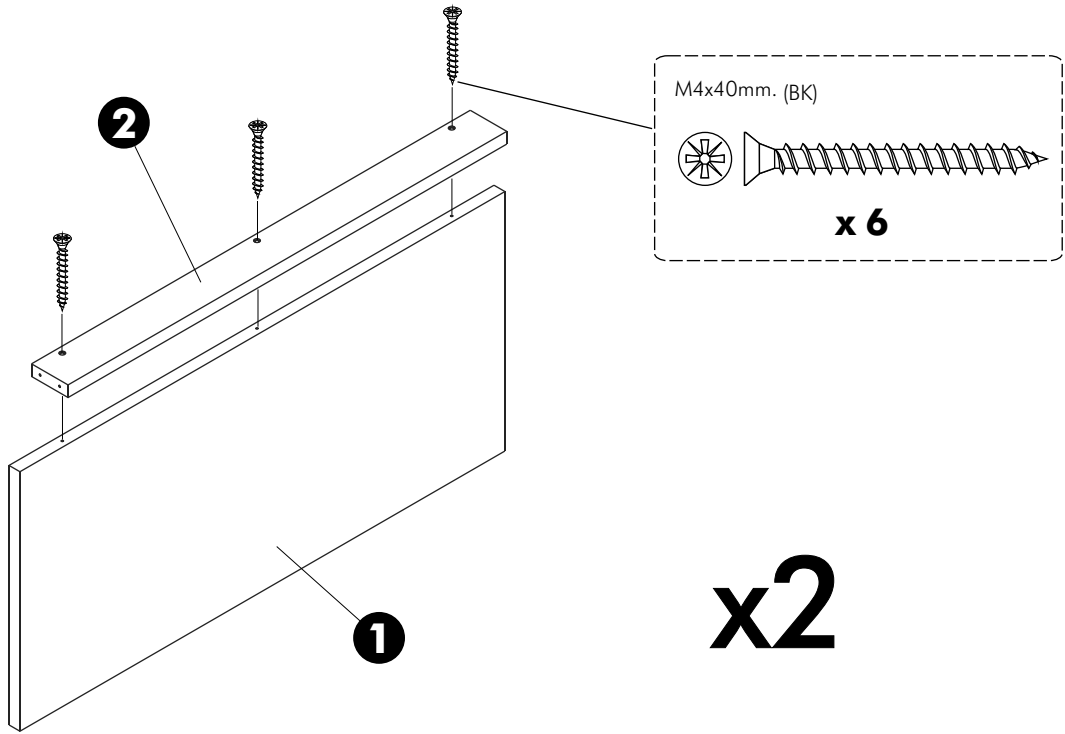
1.



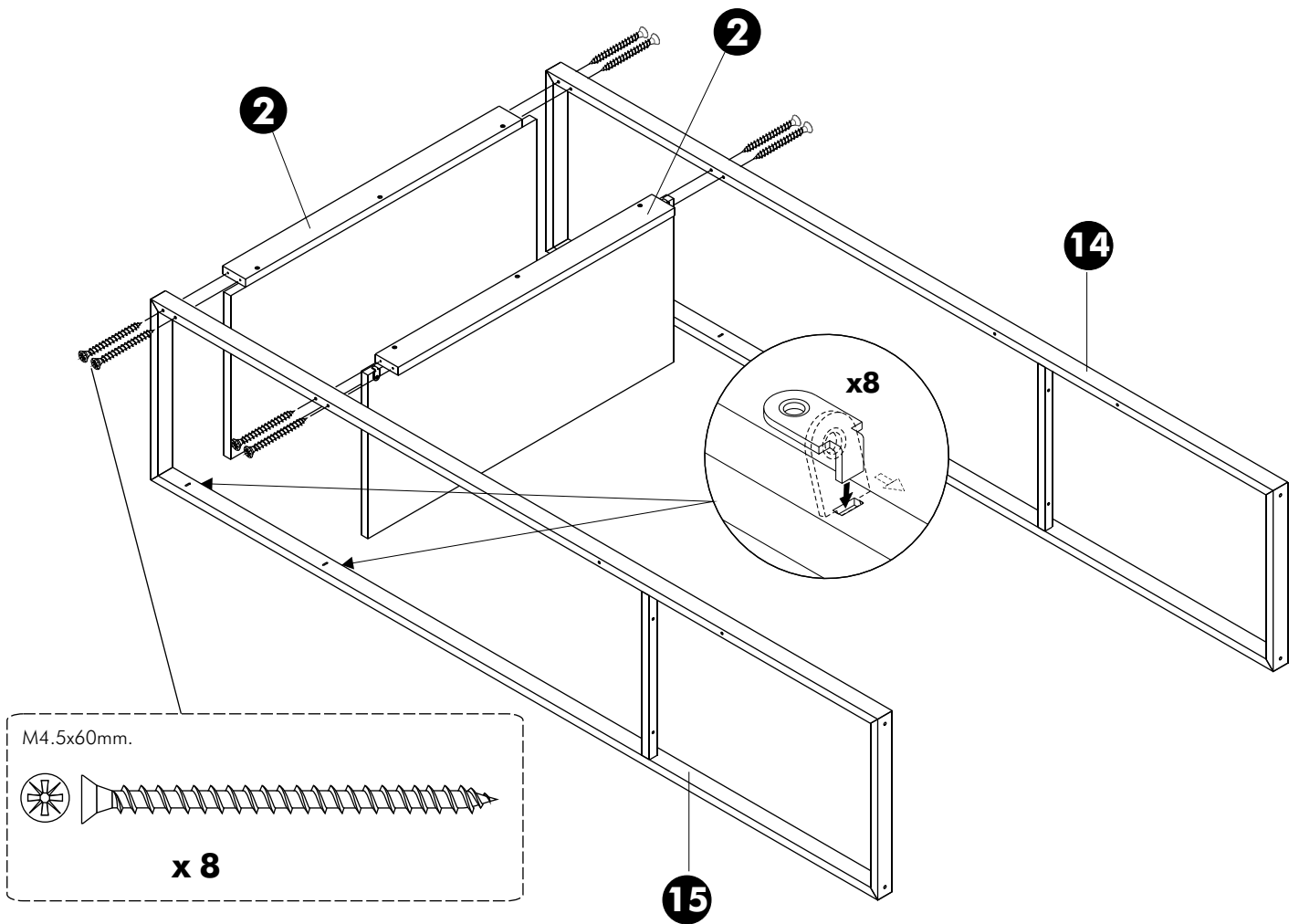
2.



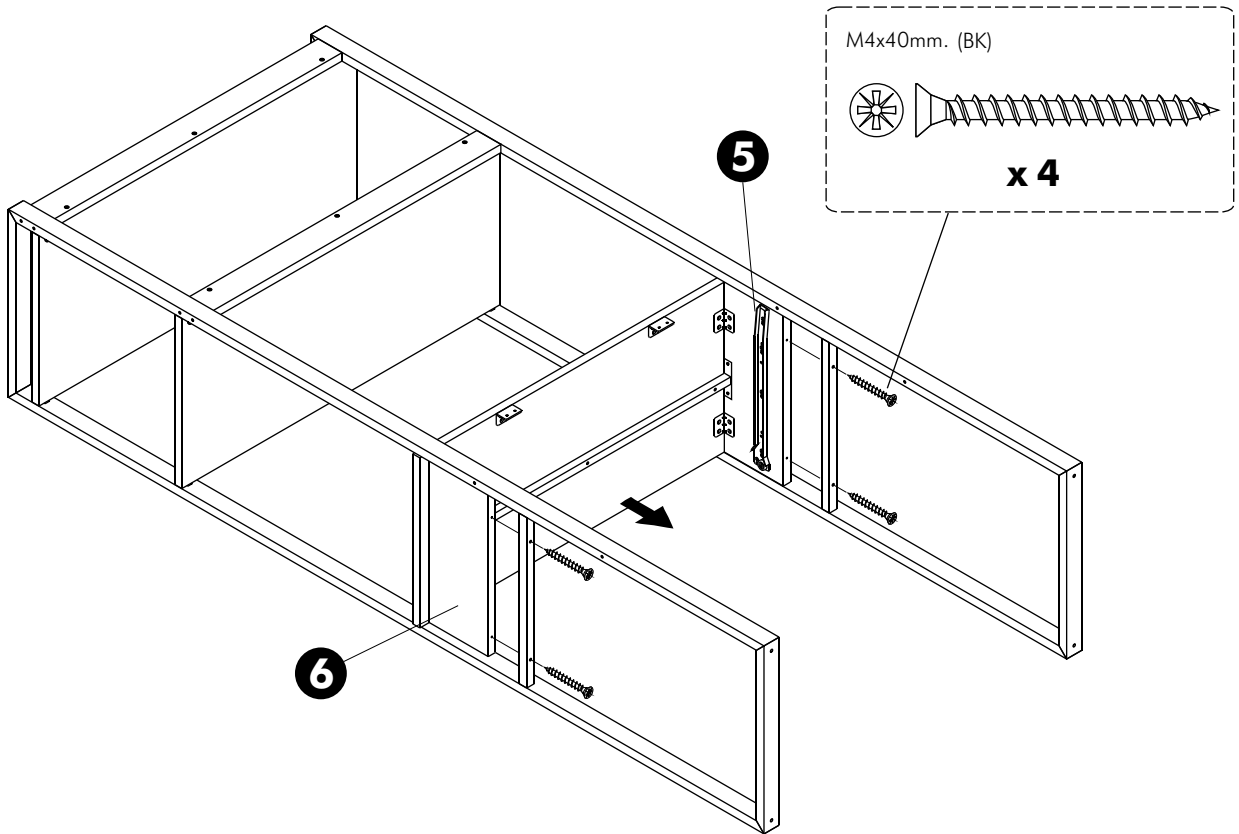
3.



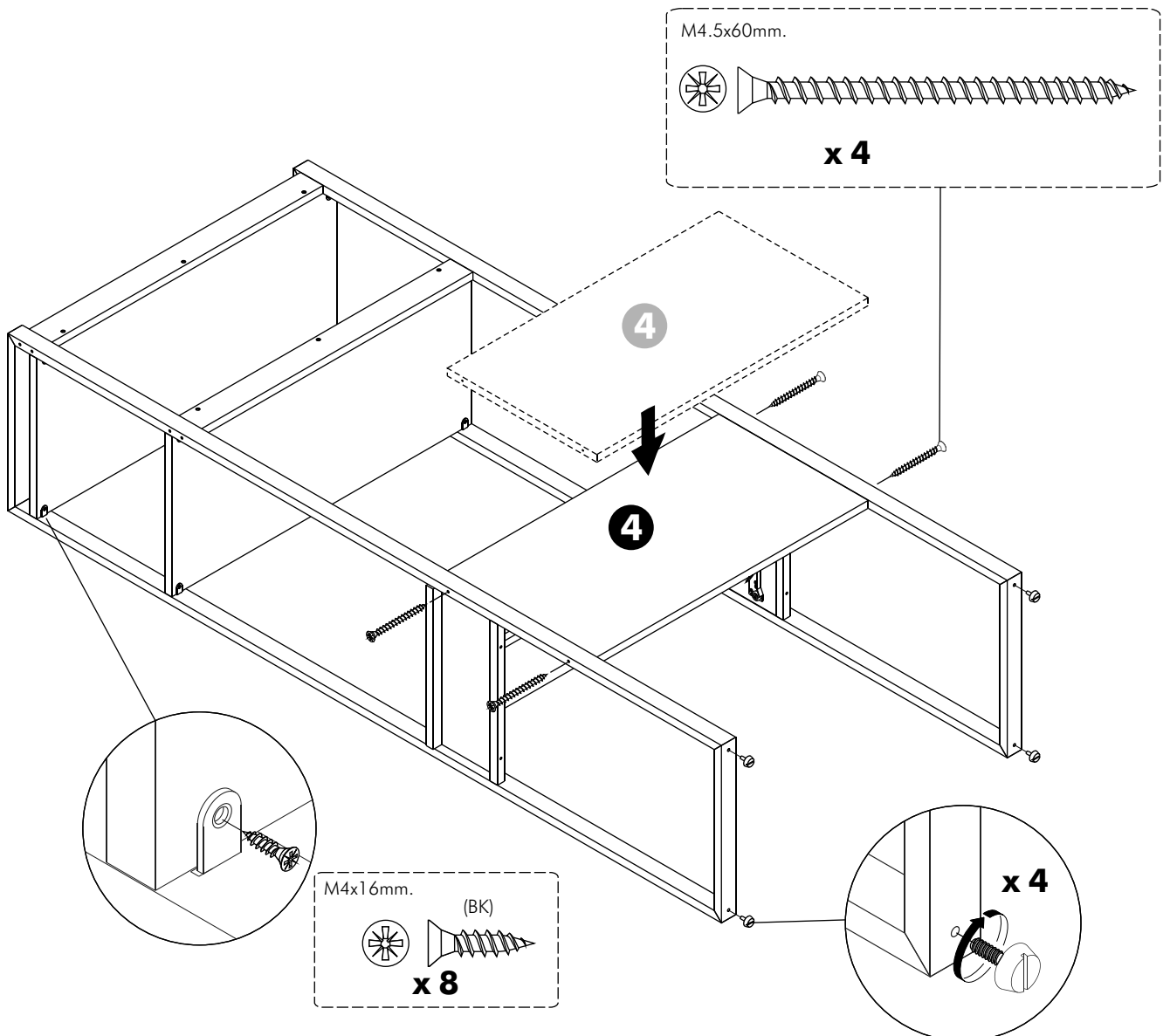
4.



5.

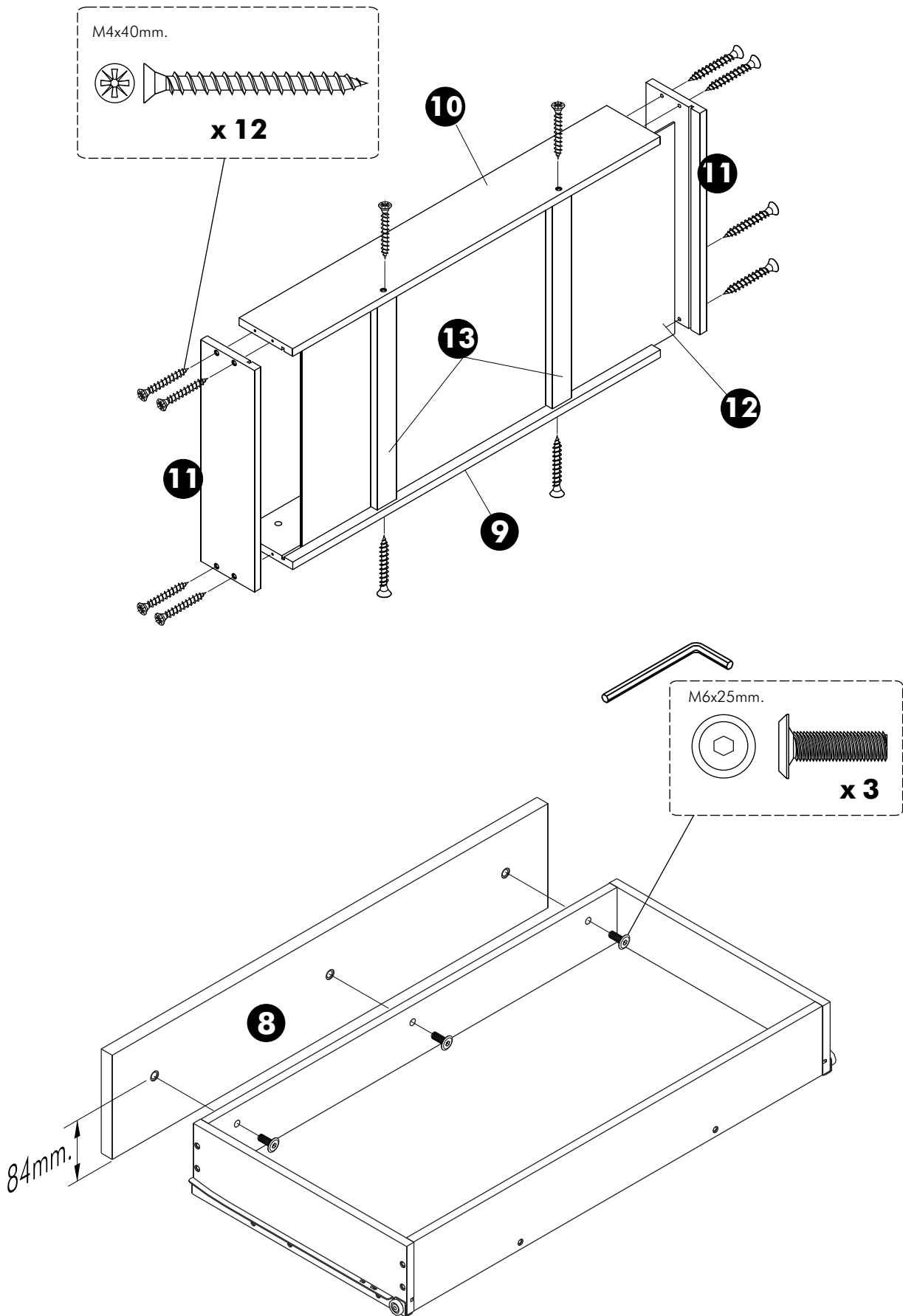


6.



ASSEMBLY

-DRAWER SET



ASSEMBLY

-DRAWER SET

