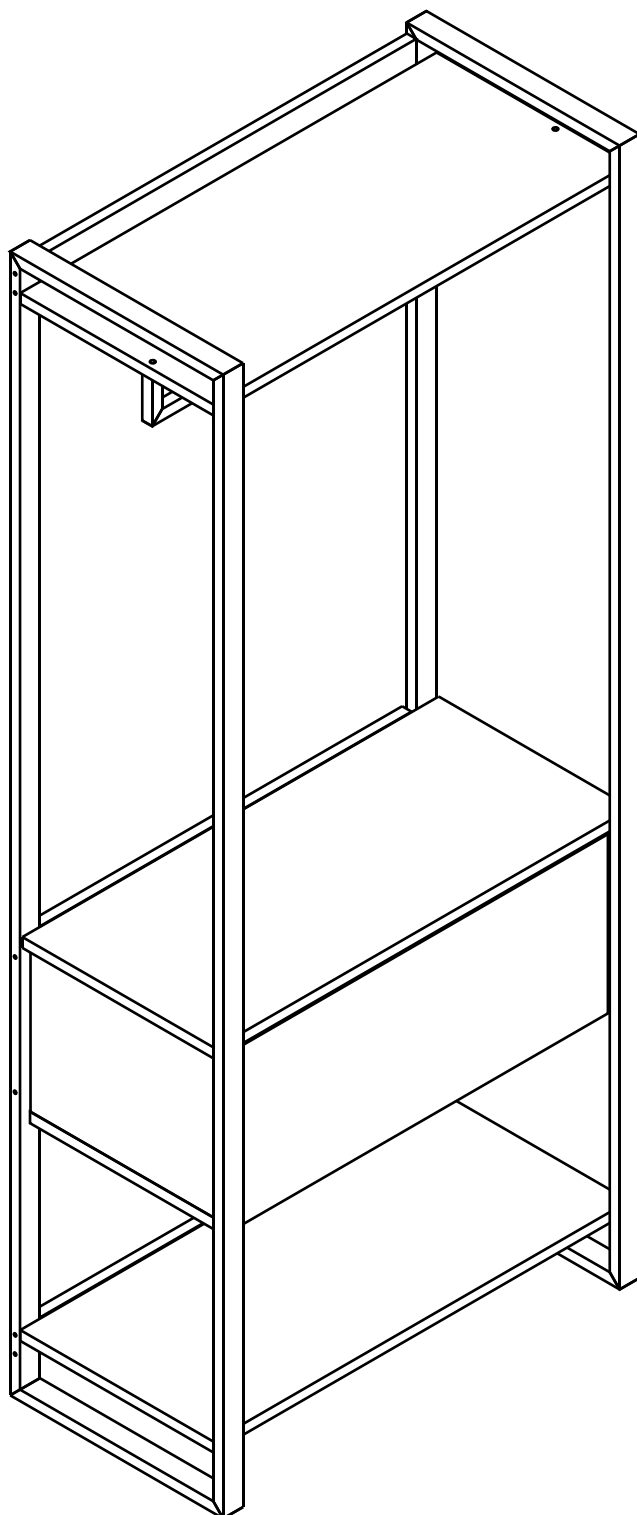


# LOFTER

Clothes rack+drawer 80 cm



# CONNECT SYSTEM

**1**

**3**

**2**

(Connecting bolts)

**WHEN FITTING CAMS**  
 ENSURE STARTING POSITION IS CORRECT  
 BEFORE YOU INSERT CONNECTING BOLT  
 TURN CLOCKWISE UNTIL SECURE

✓				✗
↑				
<b>CORRECT</b>		<b>WRONG</b>		

M4x16mm.

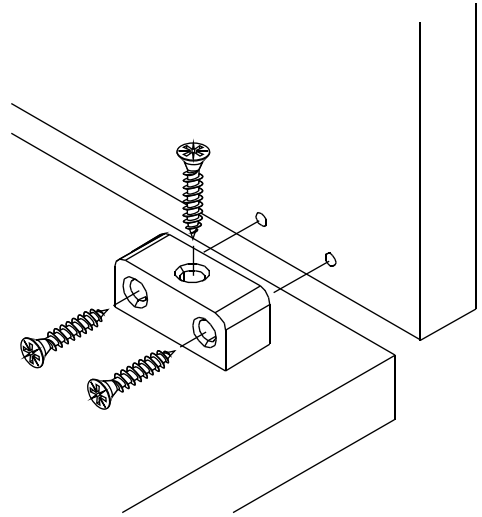
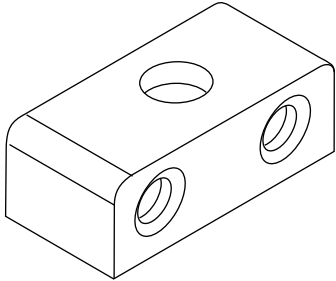
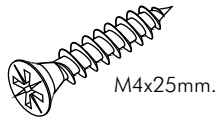
**1**

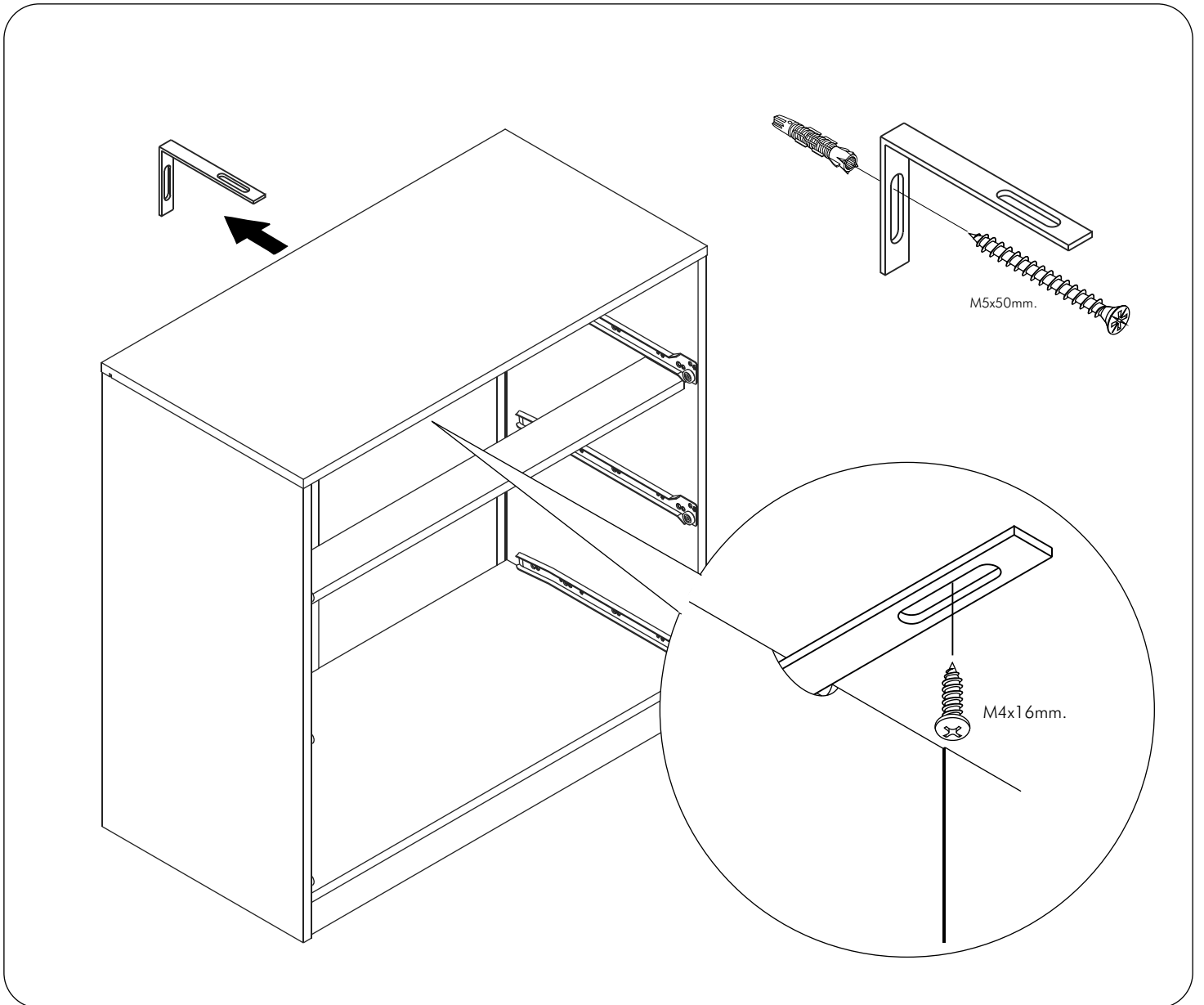
M3.5x13mm.

**2**

M3.5x13mm.

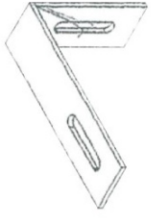
**CONNECT SYSTEM**



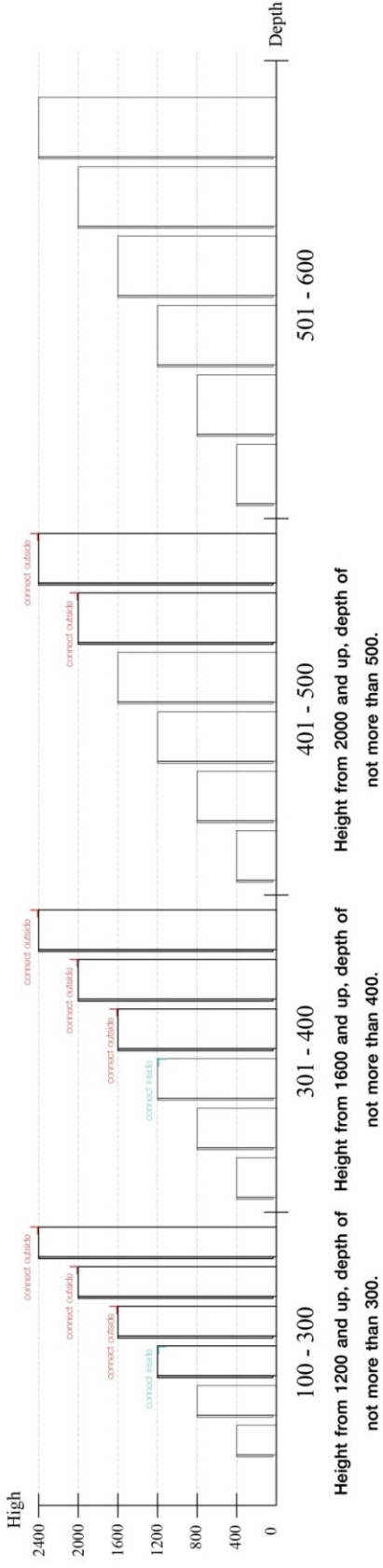


**The Standard for identifying which mounted safety fall protection fitting to use** **Note : That children's products must be installed with all anti-falling fittings.**

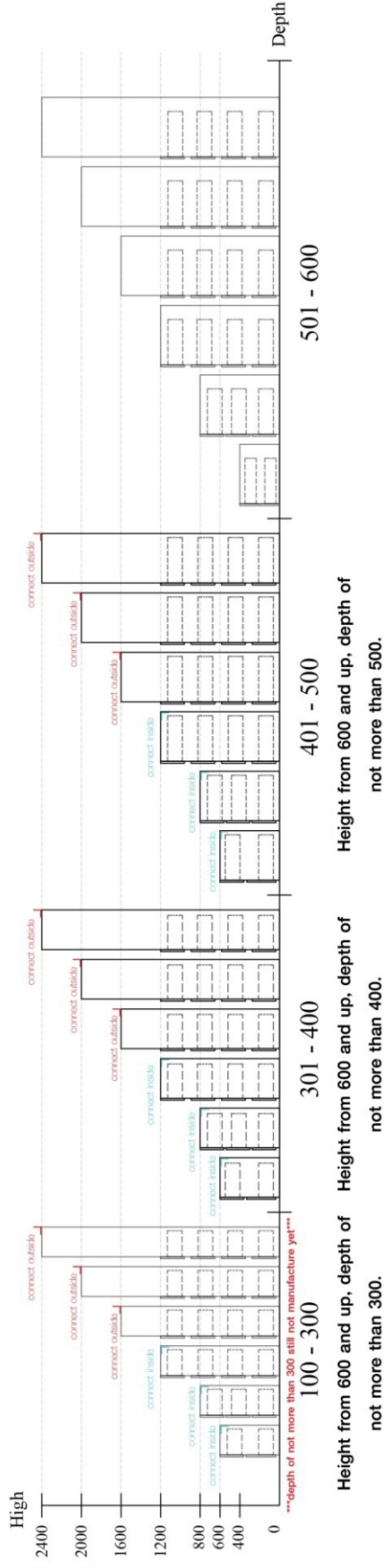
■ Mounted fall protection fittings



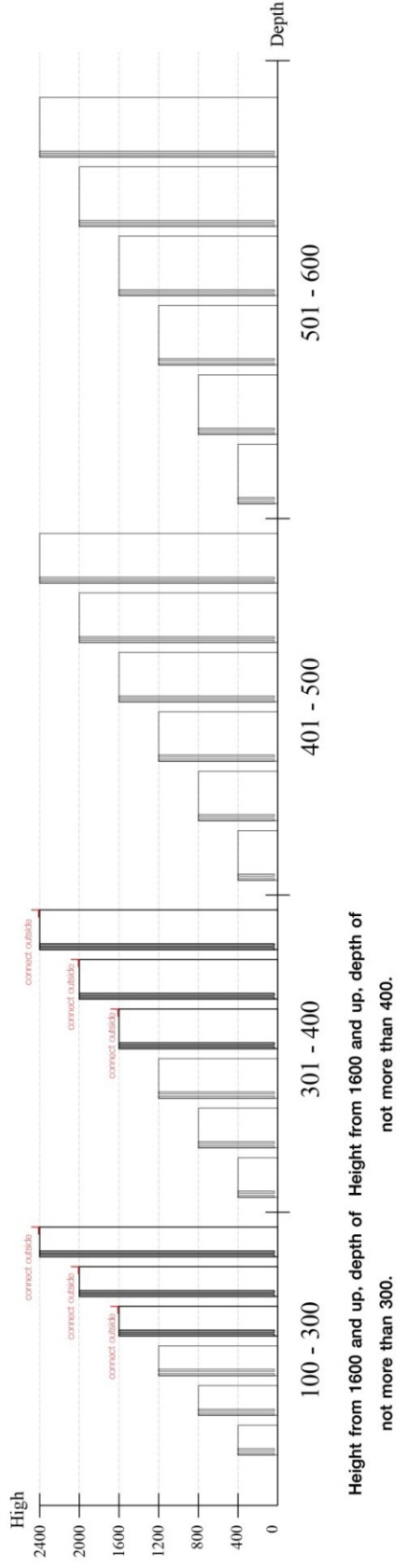
■ Category : Cabinet with open doors

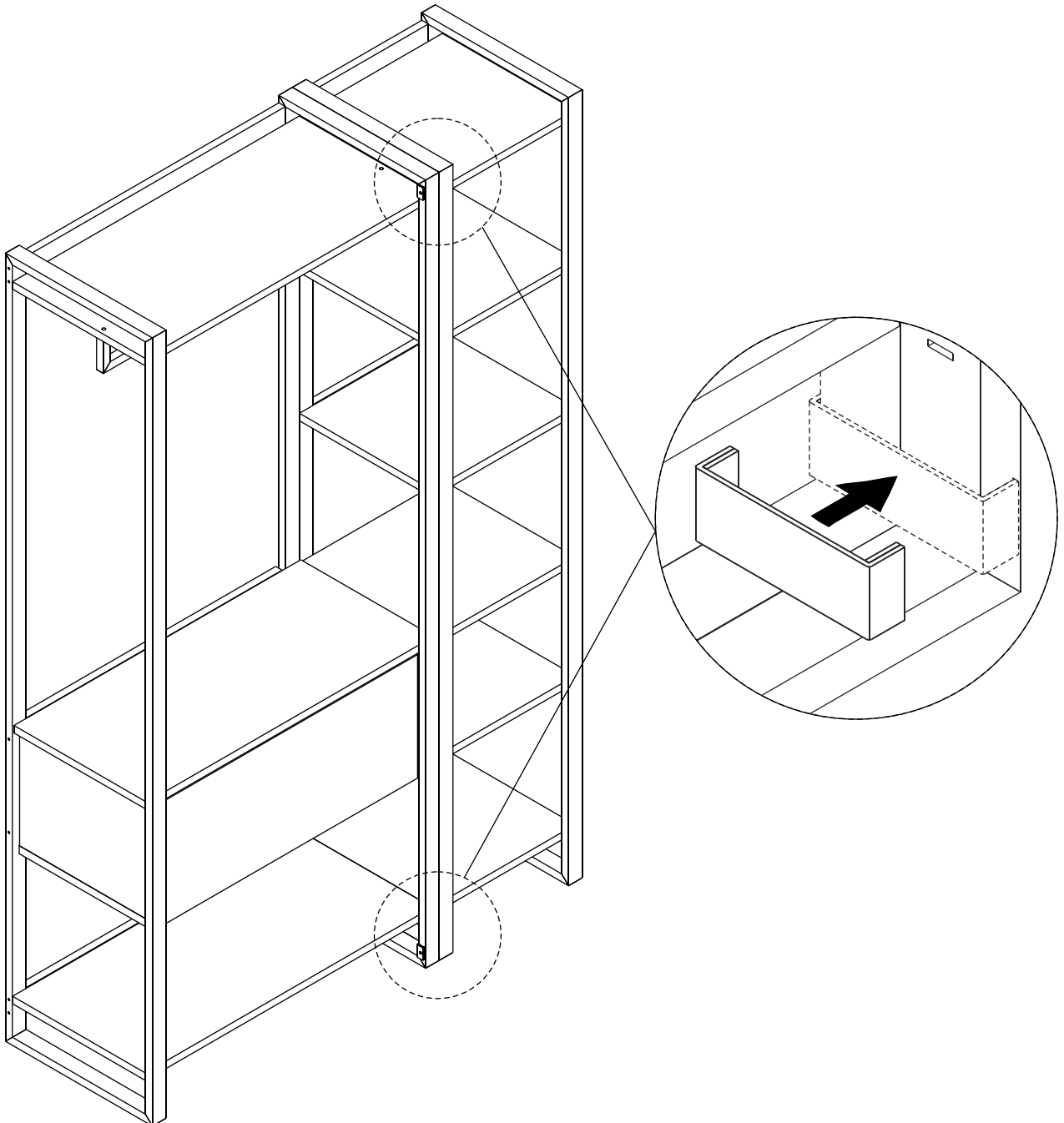
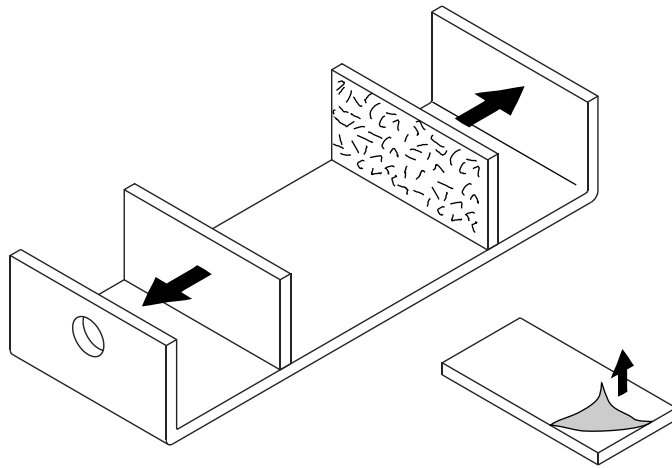


■ Category : Chest of drawers



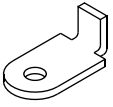
■ Category : Sliding door cabinet / Open cabinet



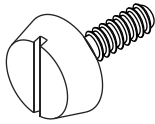


# HARDWARE

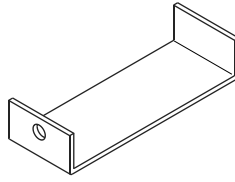
## -BODY SET



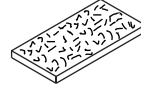
**x 8**



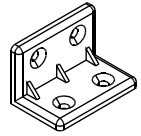
**x 4**



**x 2**



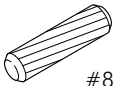
**x 4**



**x 8**

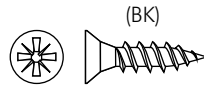


**x 2**



**x 8**

#8x35



**x 8**

M4x16mm.

(BK)



**x 36**

M4x16mm.



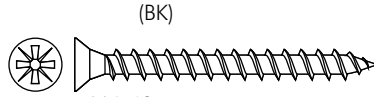
**x 6**

M4x25mm.



**x 3**

M4x30mm.



**x 10**

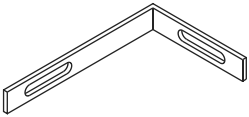
M4x40mm.

(BK)

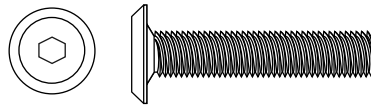


**x 12**

M4.5x60mm.

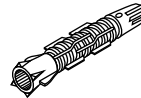


**x 1**



**x 2**

M6x30mm.



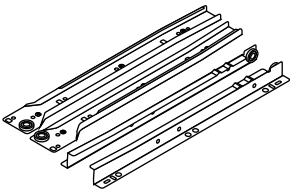
**x 1**



**x 1**

M4x16mm.

## -DRAWER SET

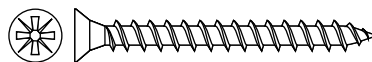


**x 1**



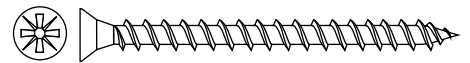
**x 14**

M3.5x13mm.



**x 12**

M4x40mm.

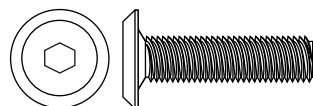


M5x50mm.

**x 1**



**x 1**



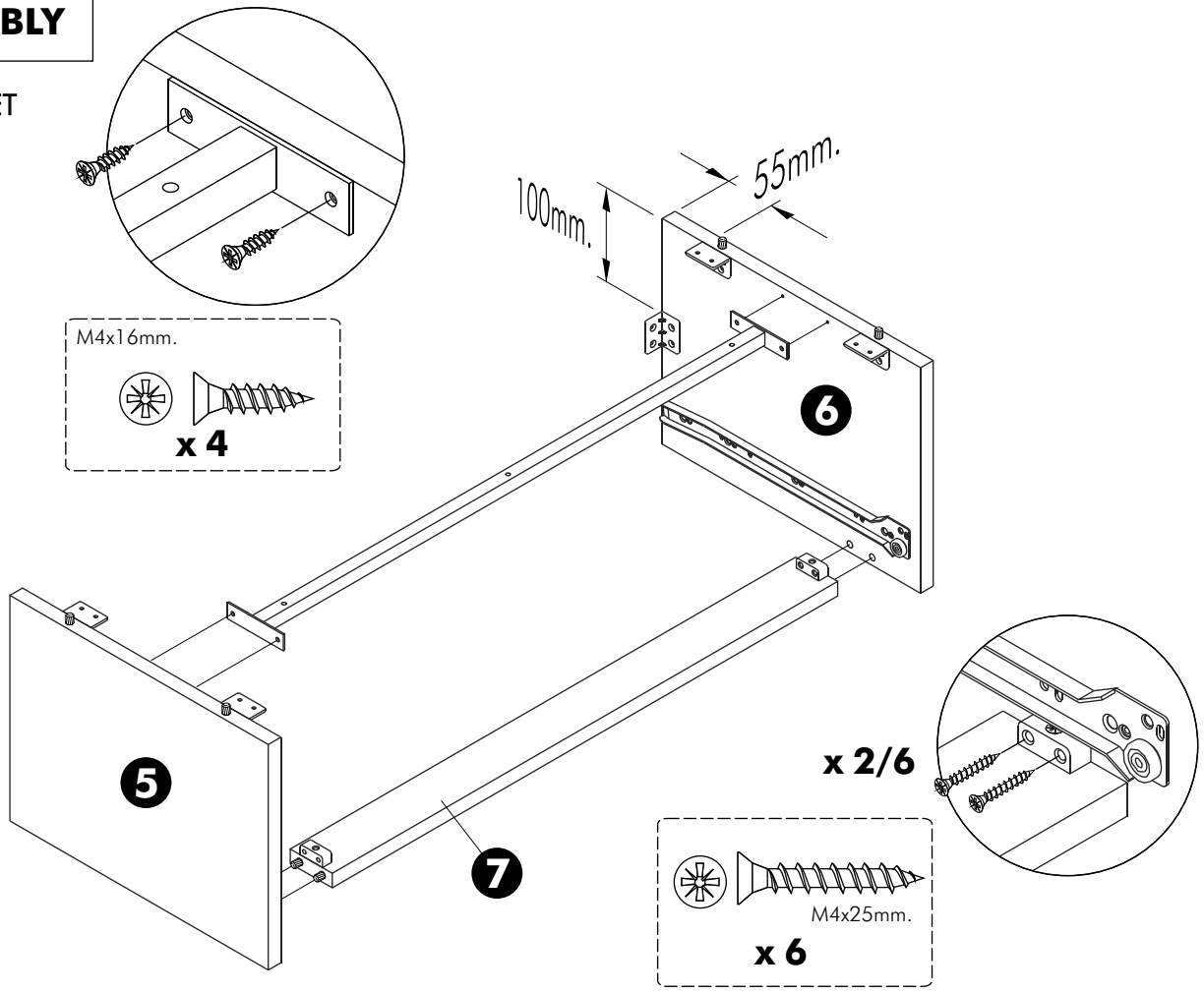
**x 4**

M6x25mm.

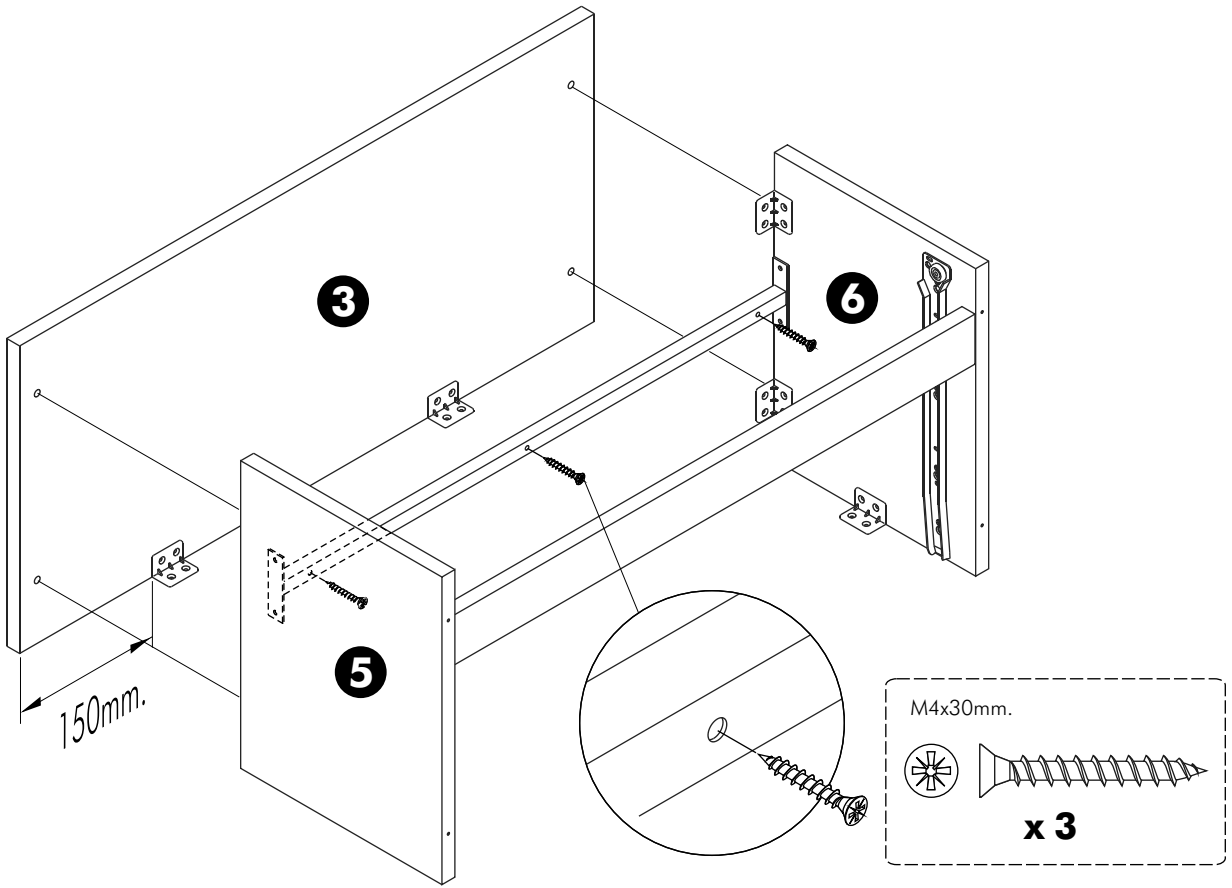
# ASSEMBLY

-BODY SET

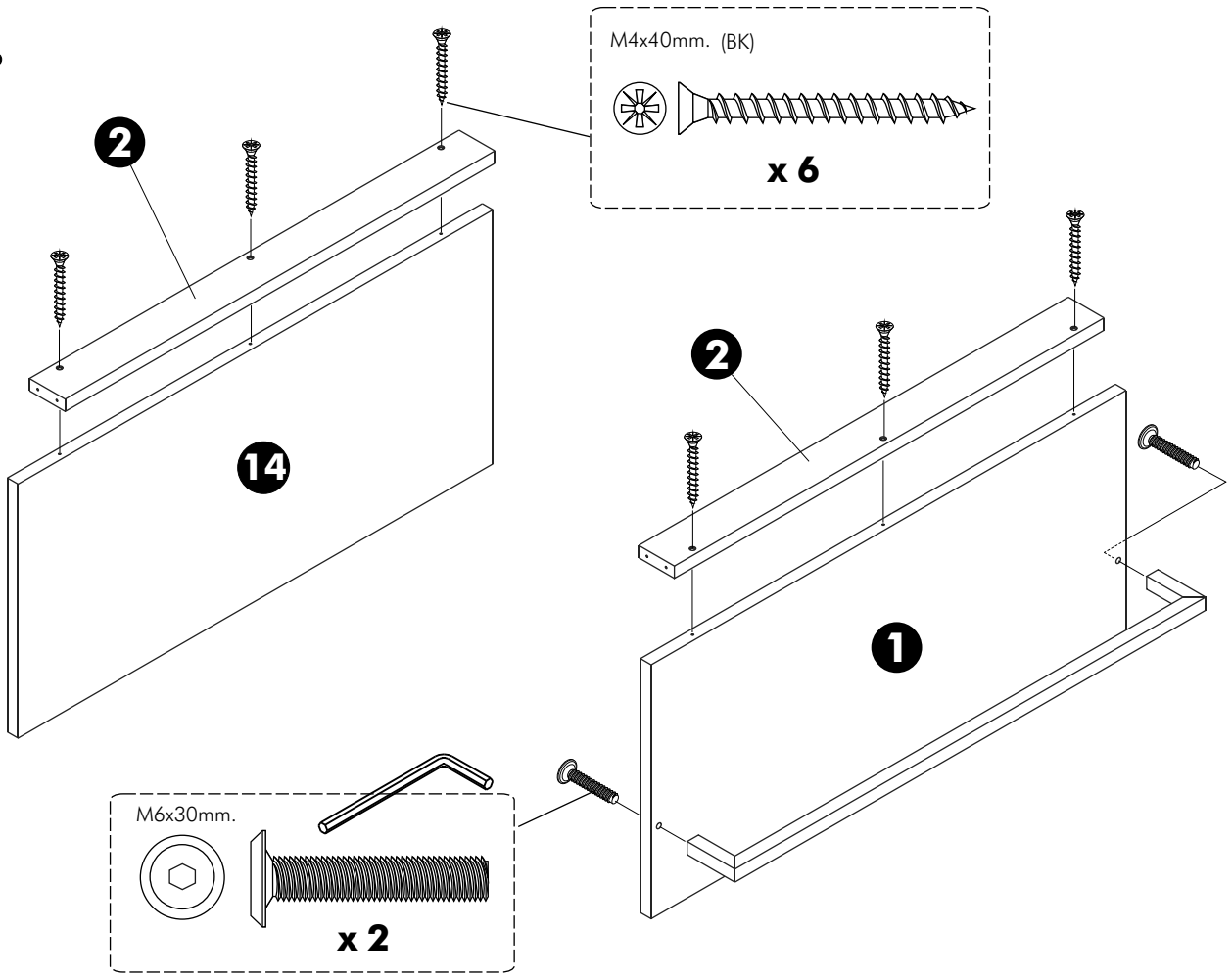
## 1.



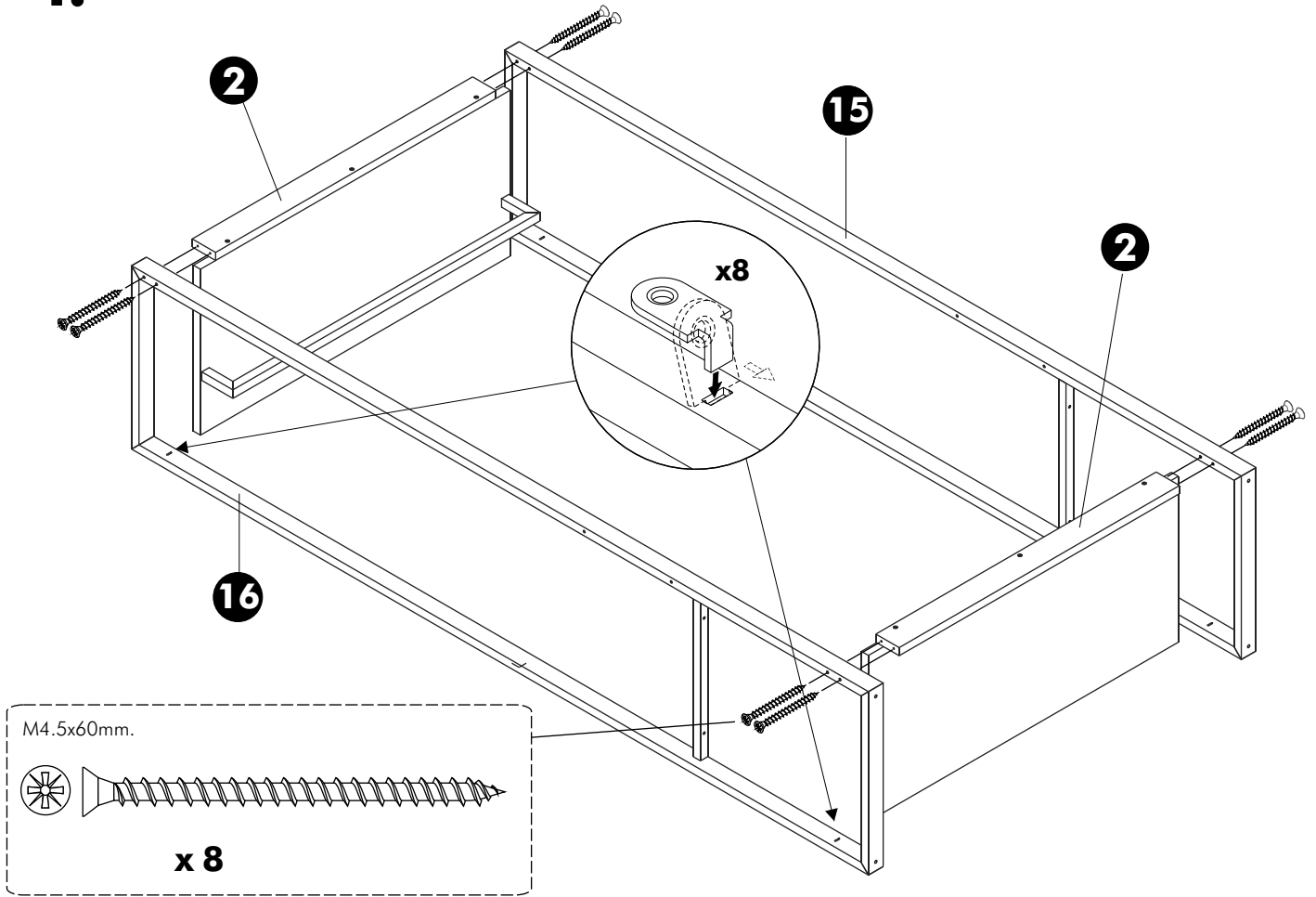
## 2.



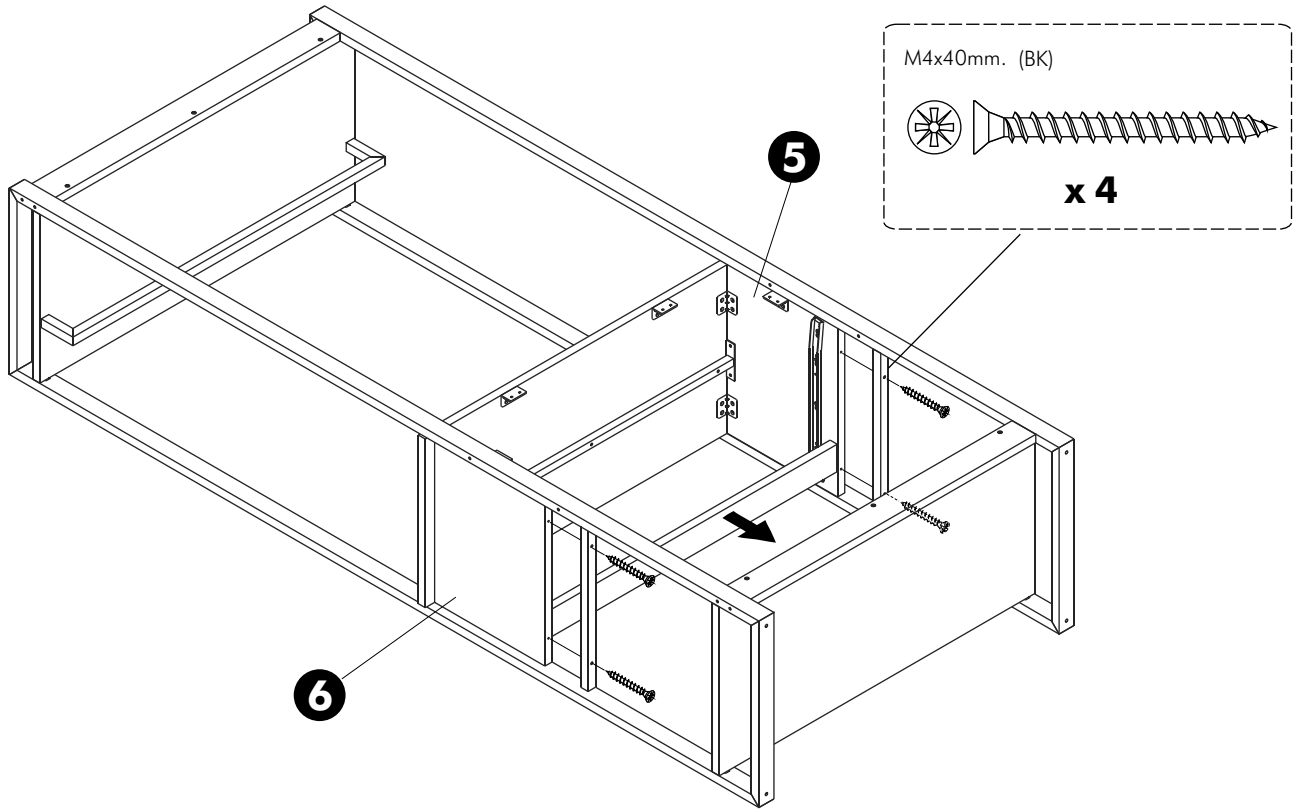
**3.**



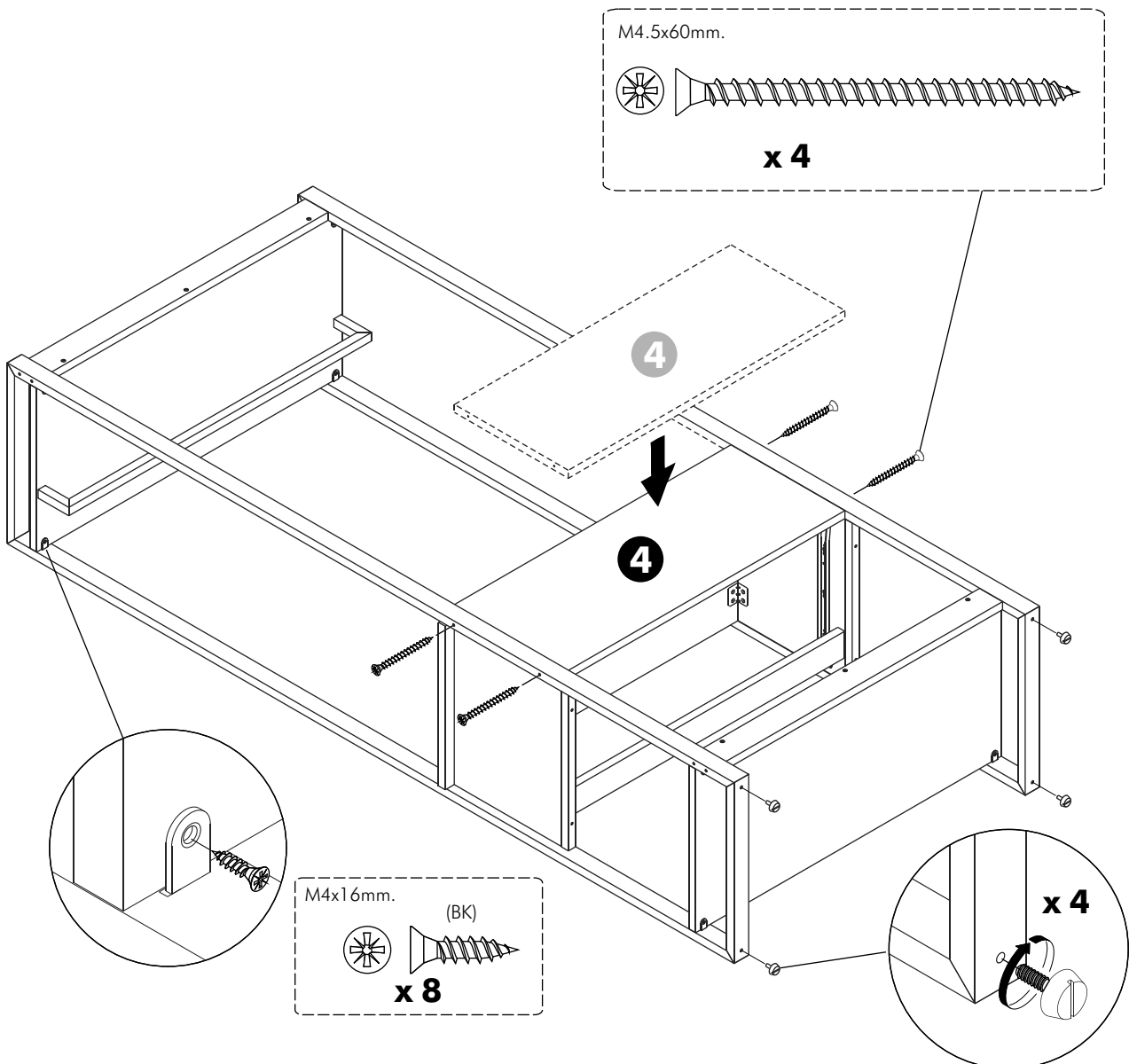
**4.**



**5.**

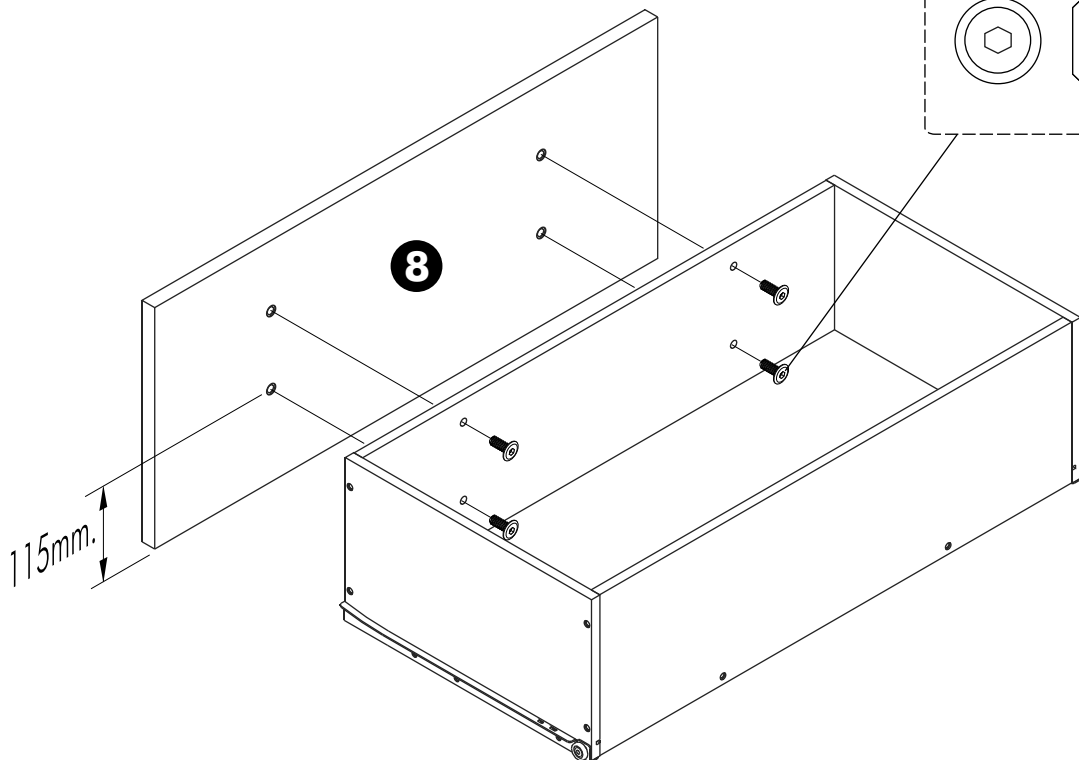
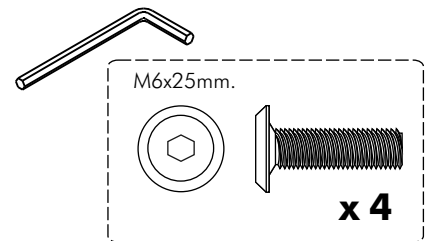
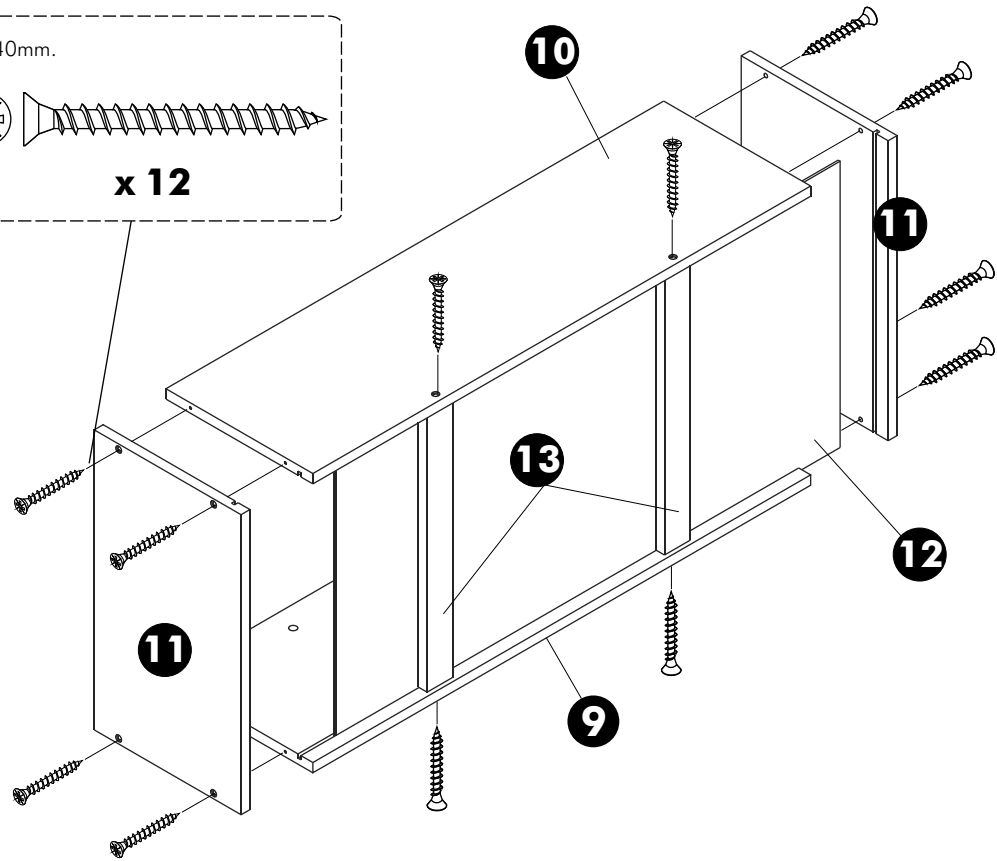
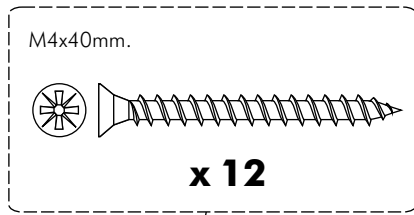


**6.**



# ASSEMBLY

## -DRAWER SET



# ASSEMBLY

-DRAWER SET

