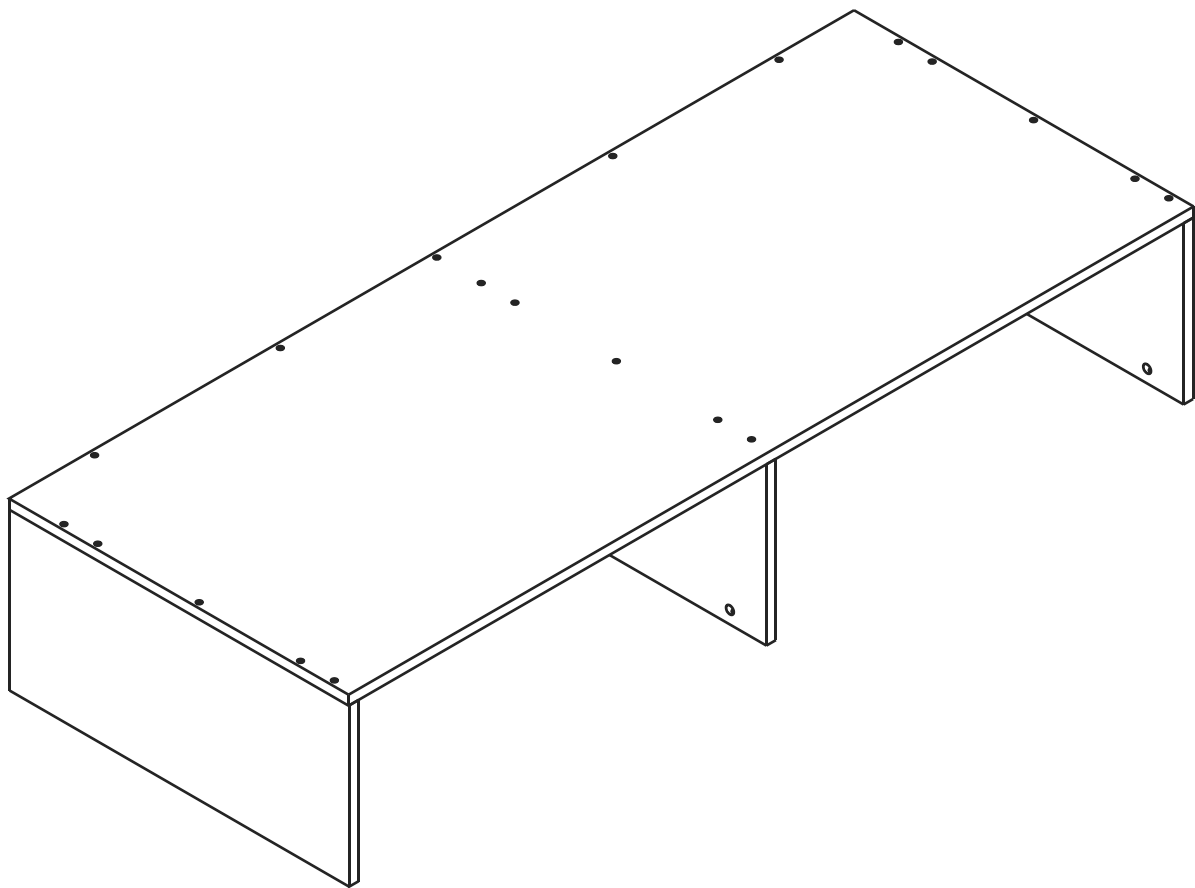
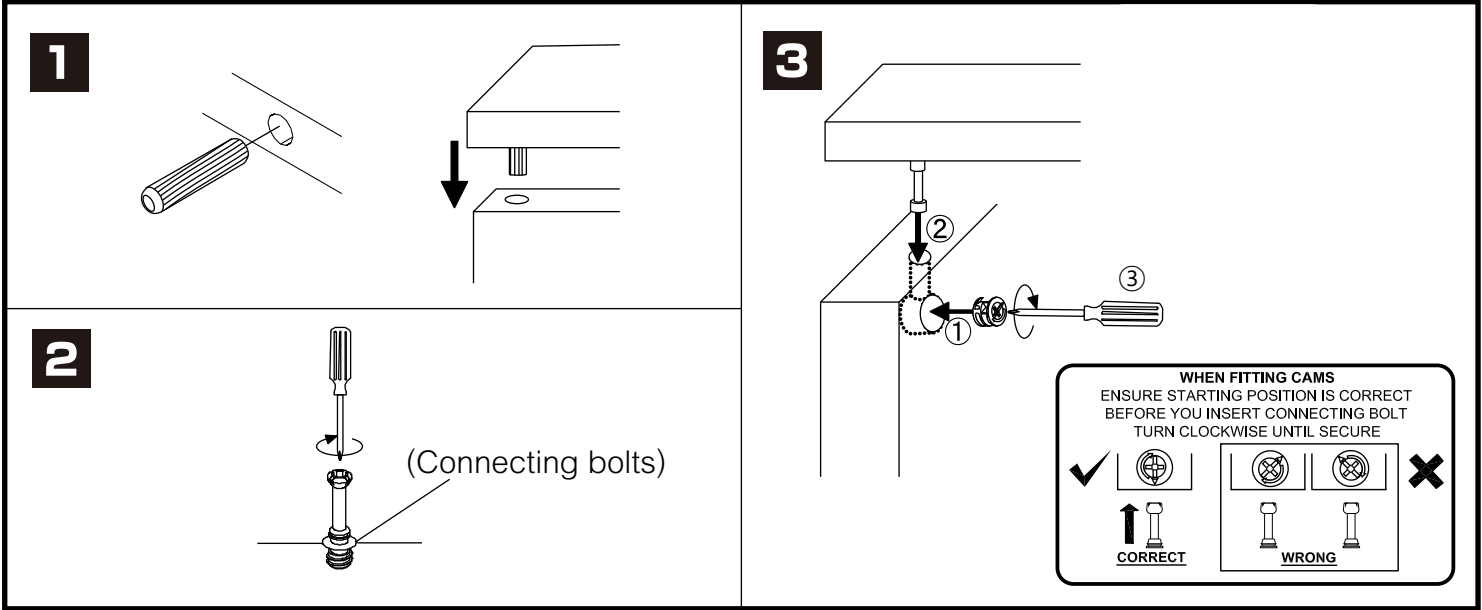


HARVEST

Top Wardrobe 160cm

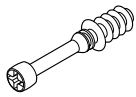


CONNECT SYSTEM



HARDWARE

-BODY SET

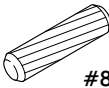


x 6



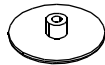
19mm.

x 6



#8x35

x 12

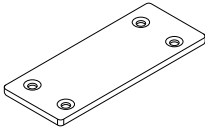


x 6



M4x50mm.

x 22



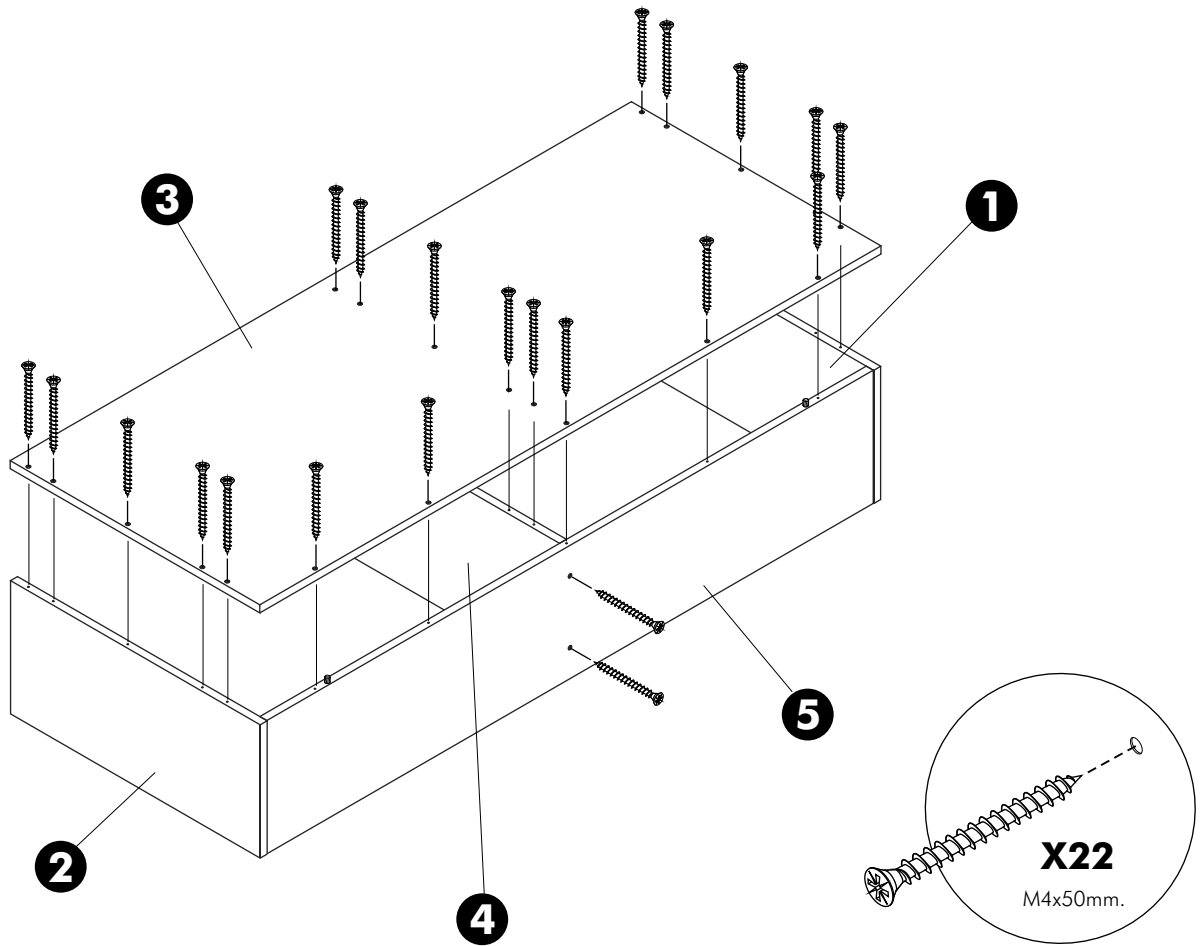
x 3



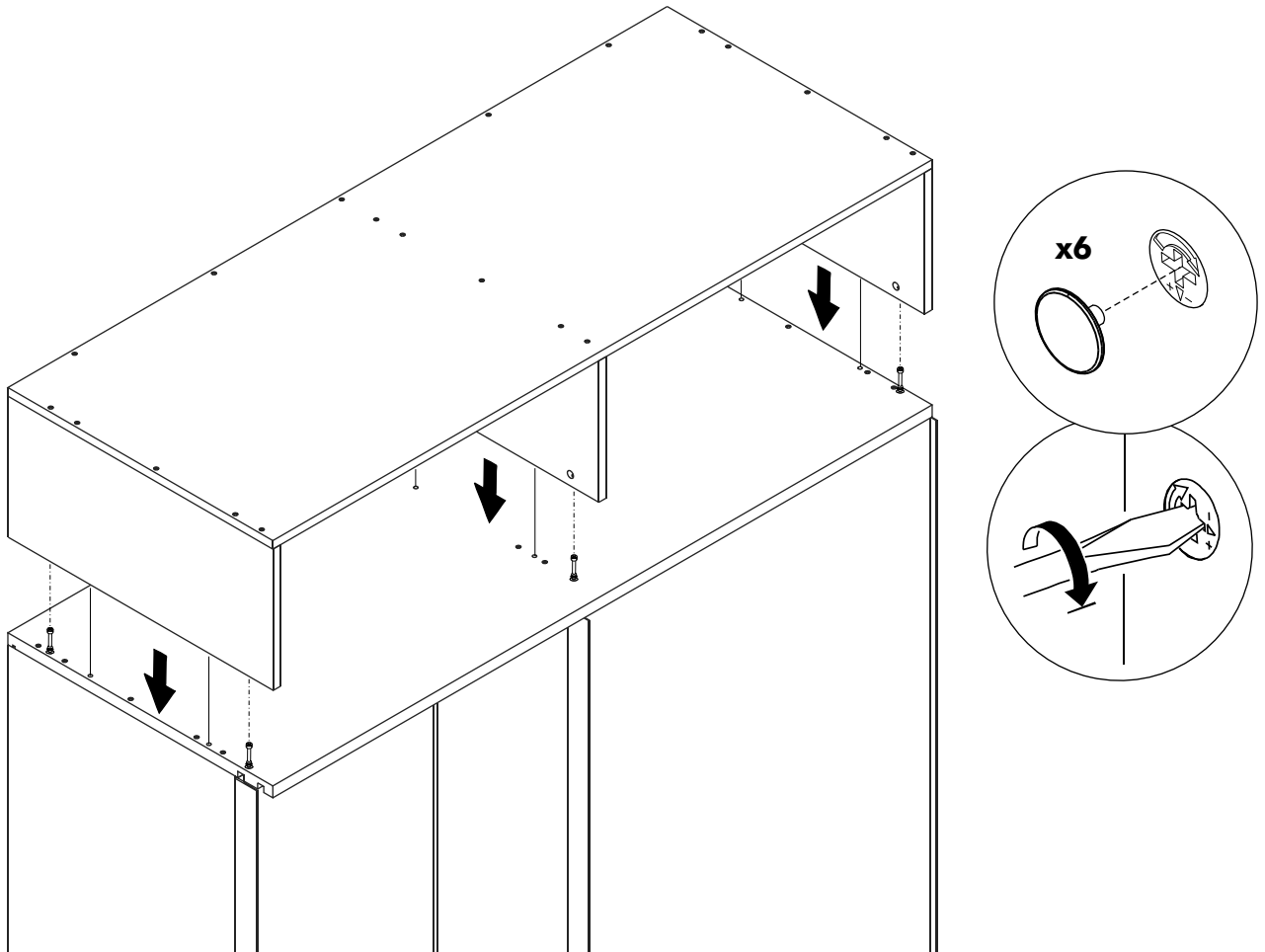
M4x13mm.

x 12

1.



2.



3.

