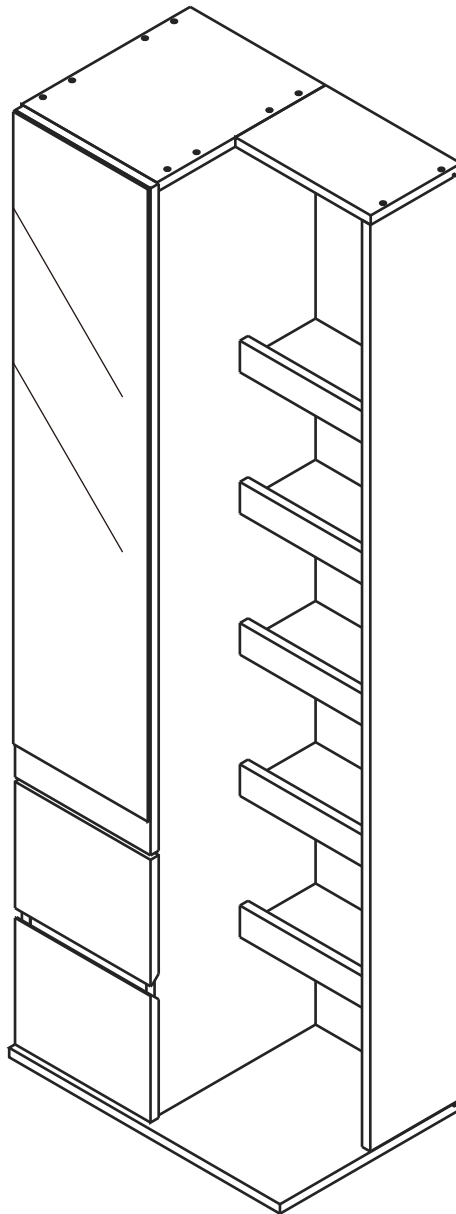


HARVEST

Dressing table 60cm



CONNECT SYSTEM

1

3

2

(Connecting bolts)

WHEN FITTING CAMS

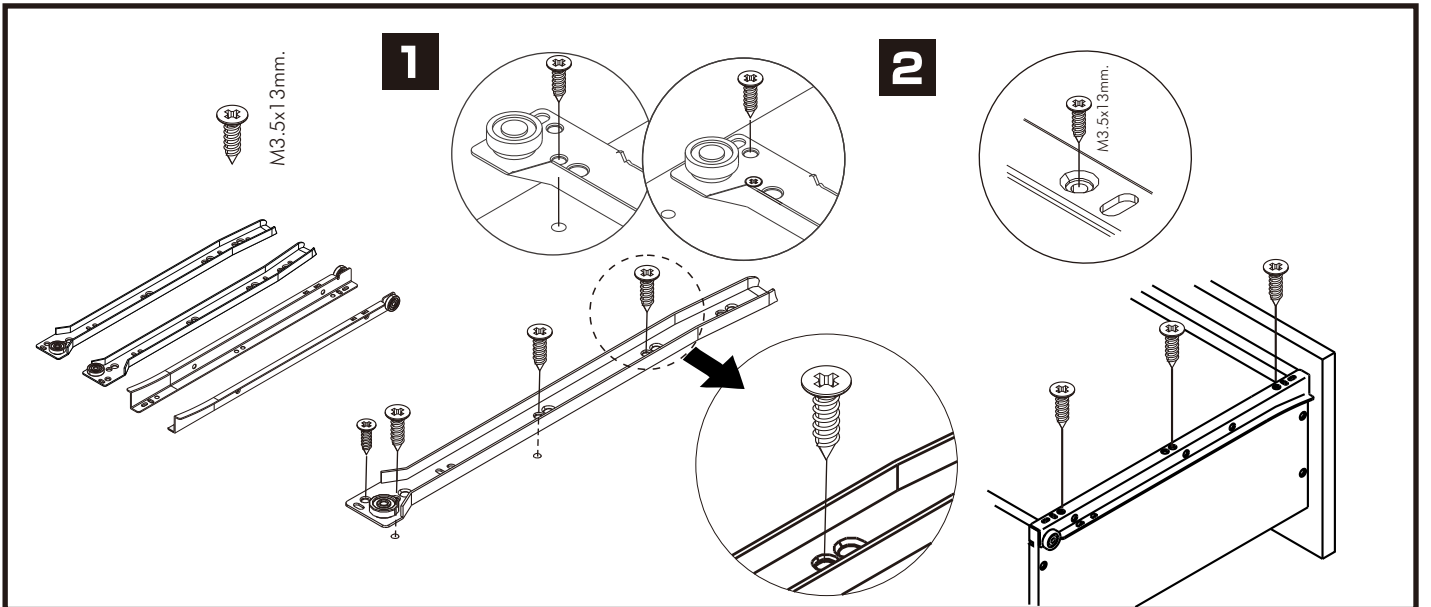
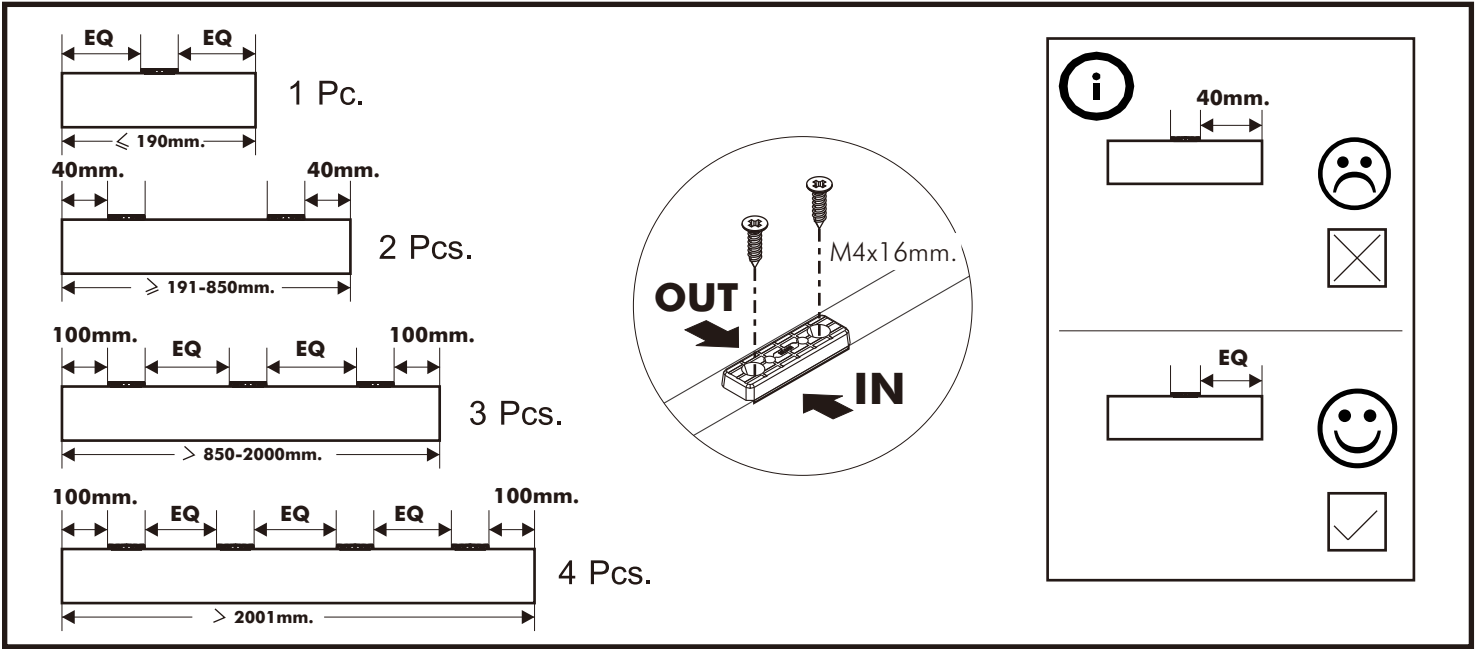
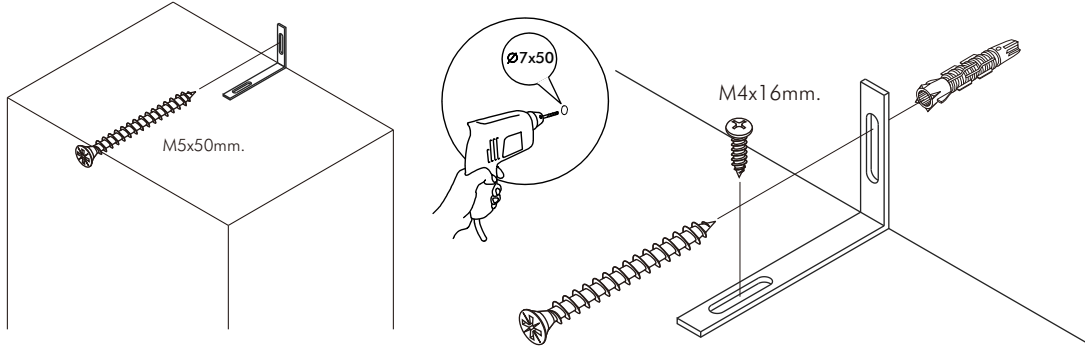
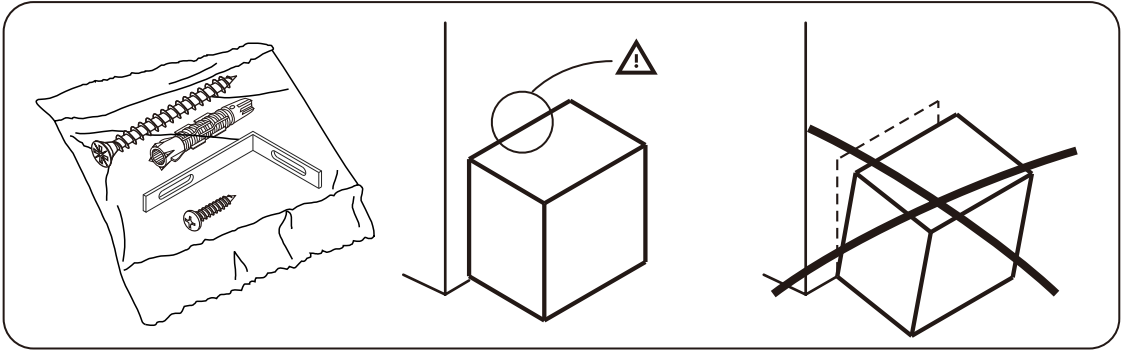
ENSURE STARTING POSITION IS CORRECT
BEFORE YOU INSERT CONNECTING BOLT
TURN CLOCKWISE UNTIL SECURE

✓				✗
↑				
CORRECT		WRONG		

M4x16mm.

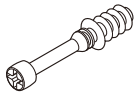
M4x16mm.

DOOR PANEL



HARDWARE

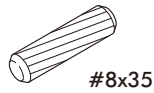
-BODY SET



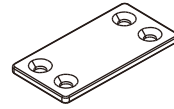
x 9



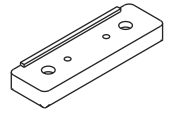
x 9



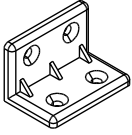
x 34



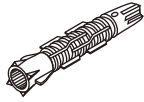
x 4



x 4



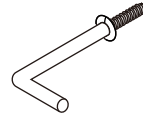
x 2



x 1



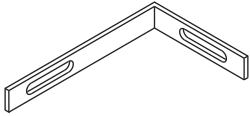
x 12



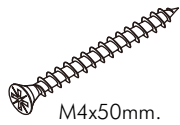
x 4



x 8



x 1



x 20



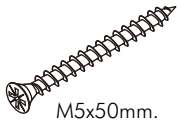
x 24



x 8



x 5

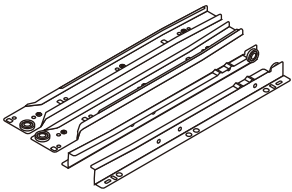


x 1



x 8

-DRAWER SET



x 2



x 28



x 16

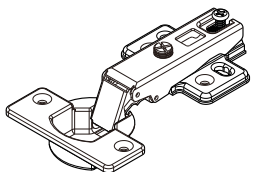


x 4



x 1

-DOOR SET



x 3



x 18

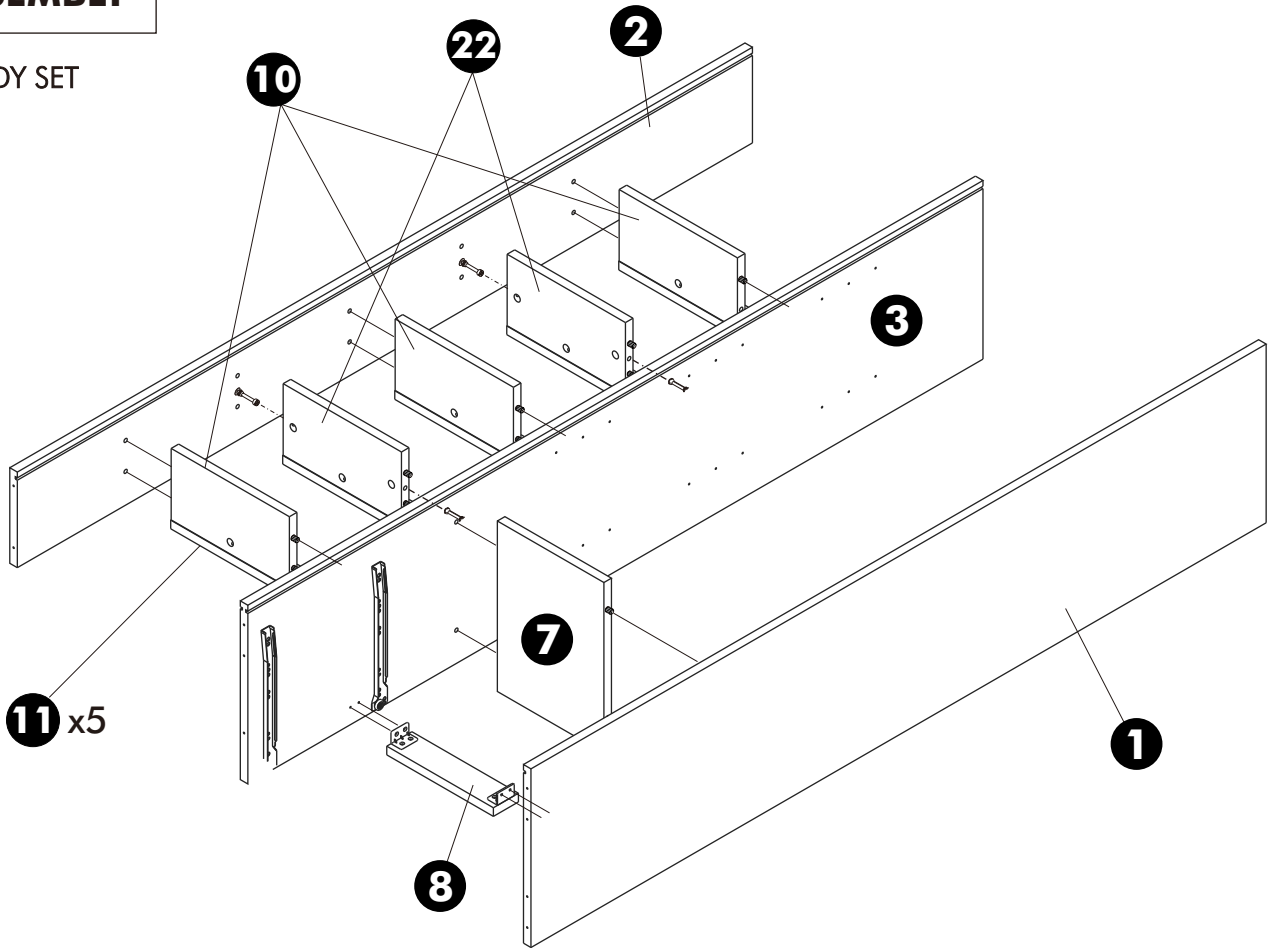


x 2

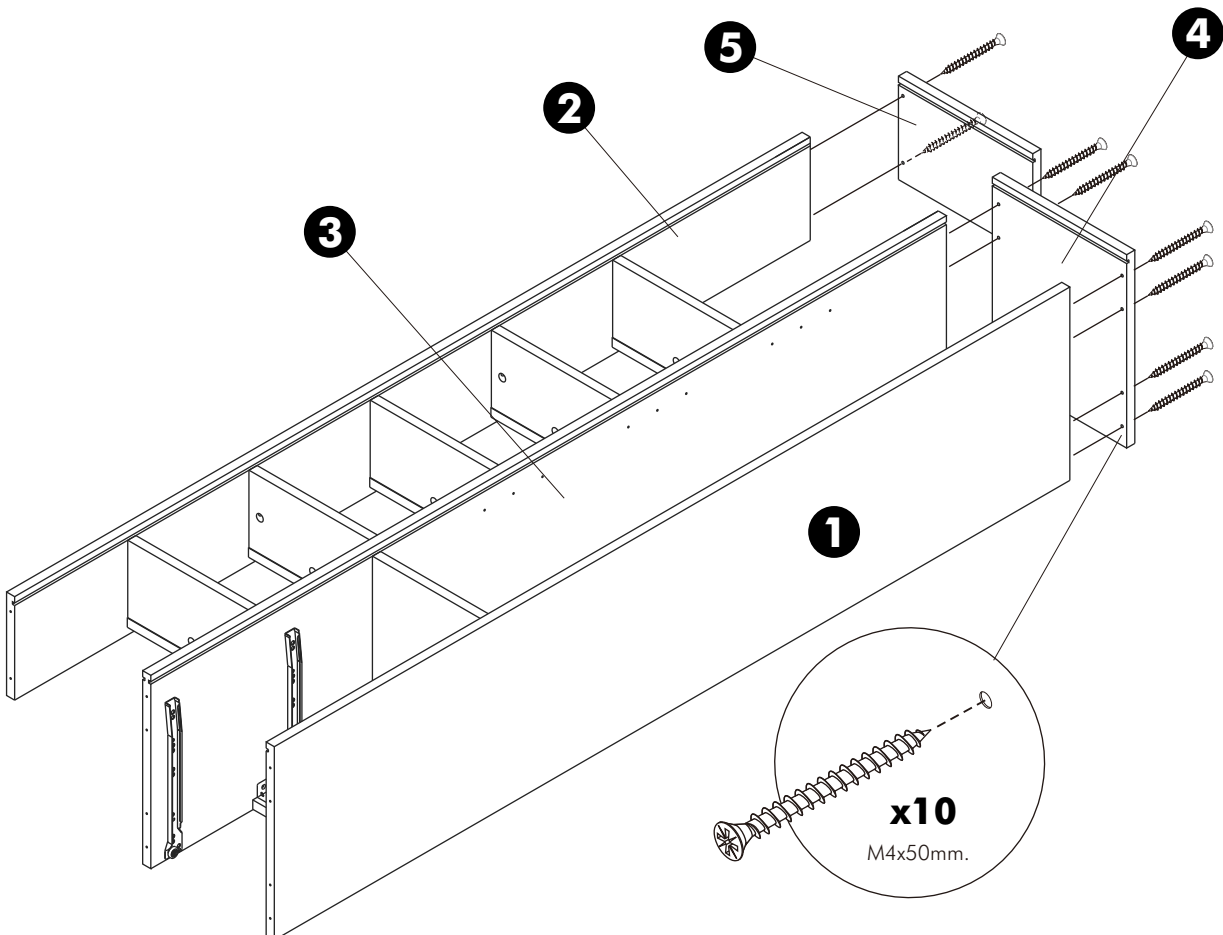
ASSEMBLY

-BODY SET

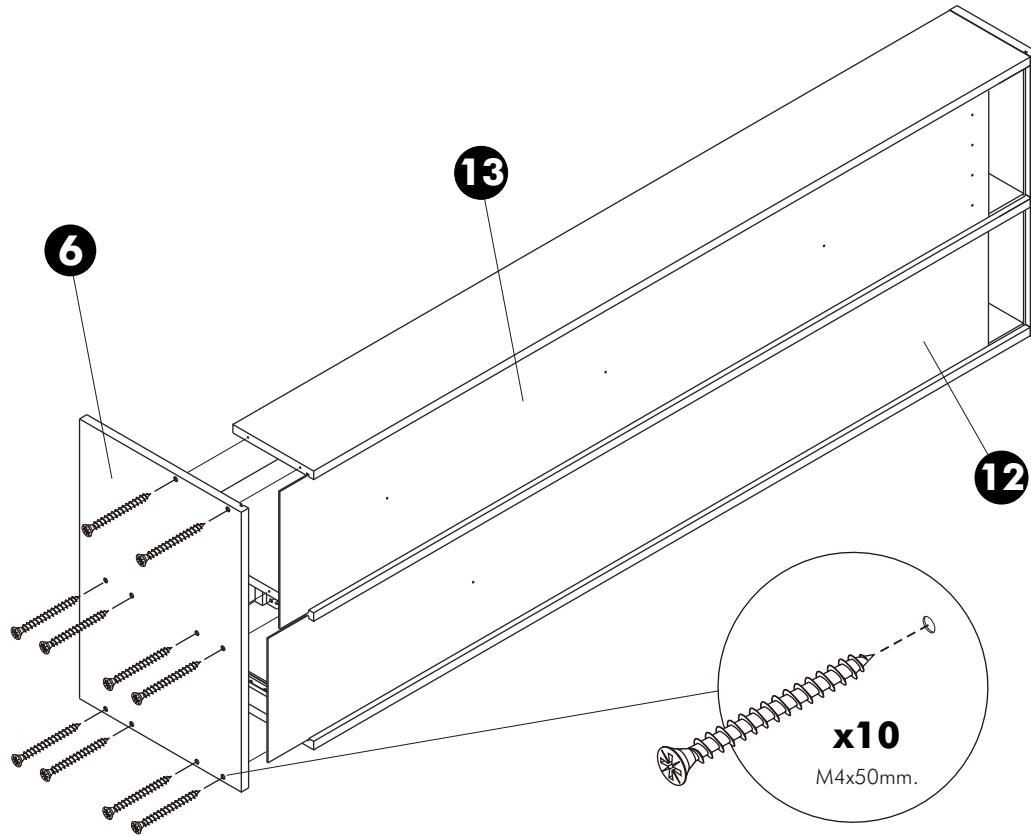
1.



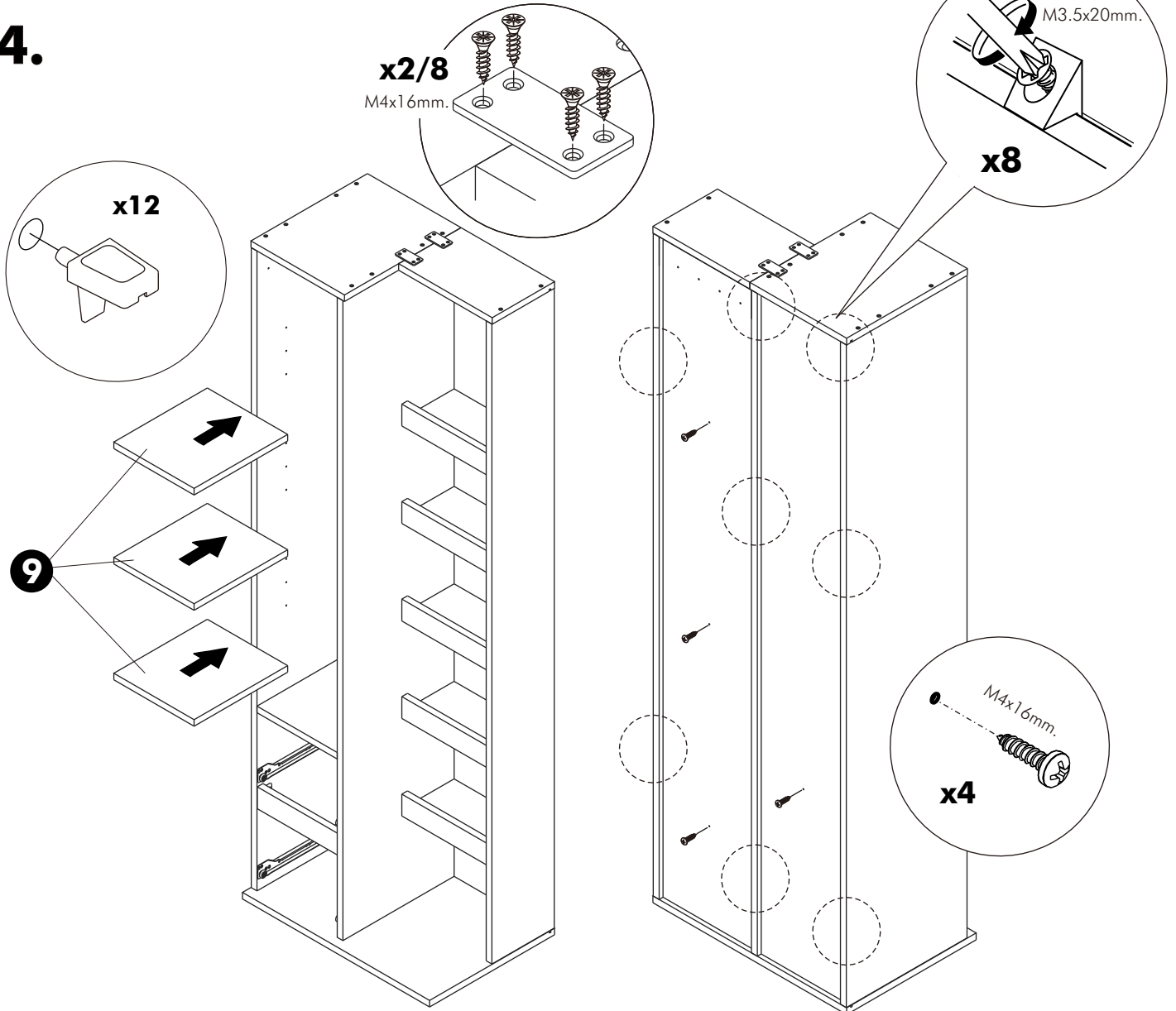
2.



3.



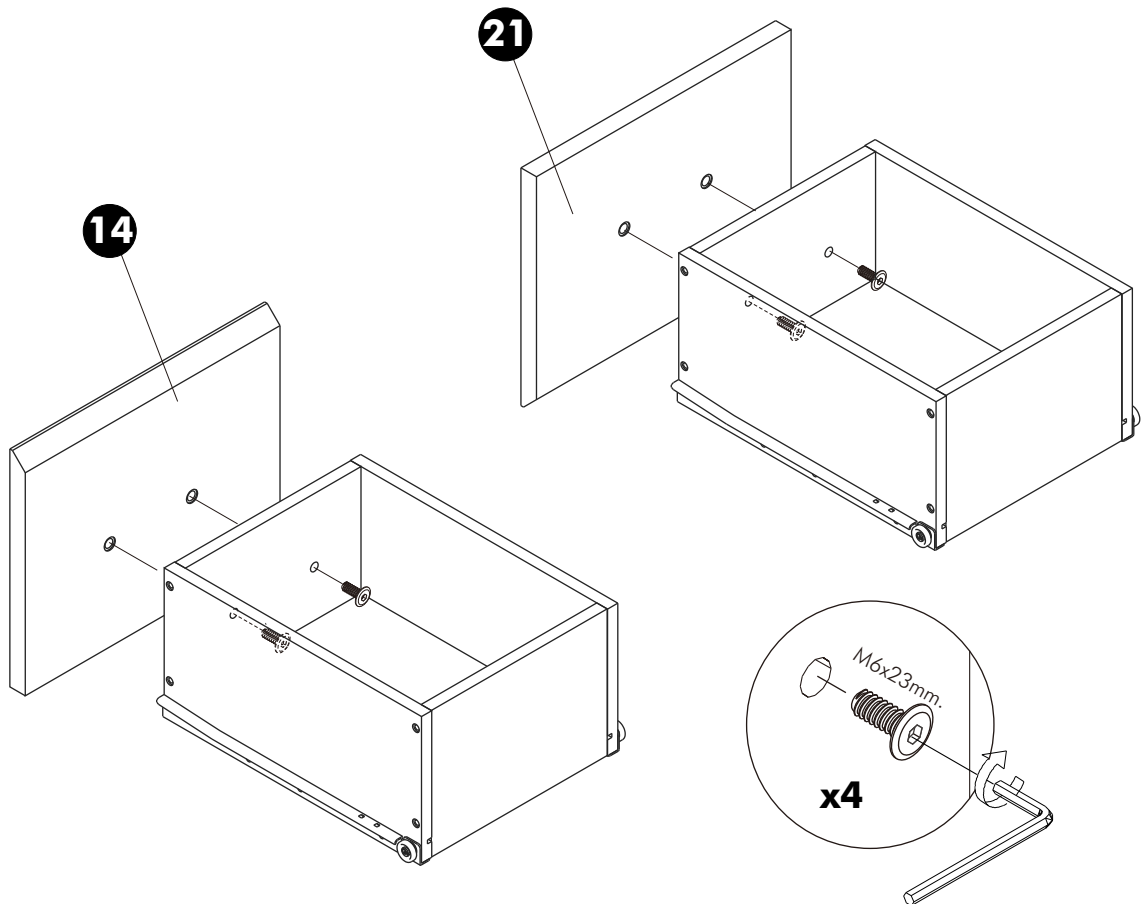
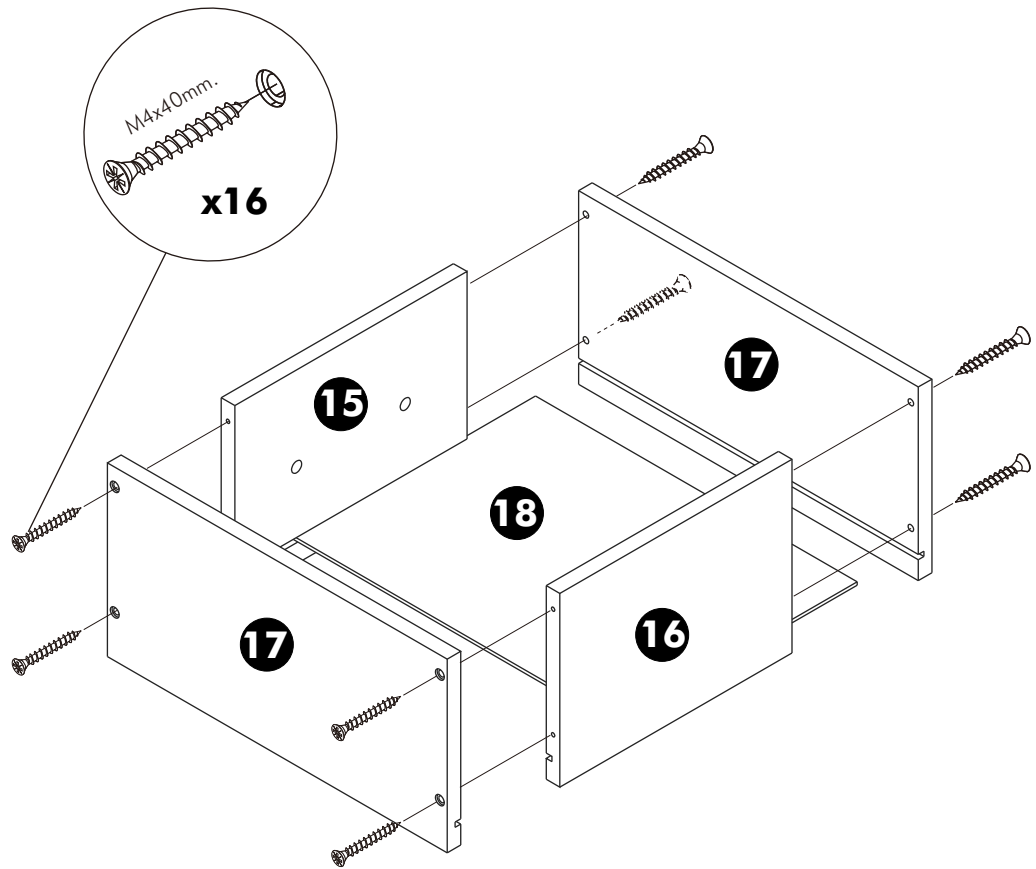
4.



ASSEMBLY

-DRAWER SET

x2



ASSEMBLY

-DRAWER&DOOR SET

