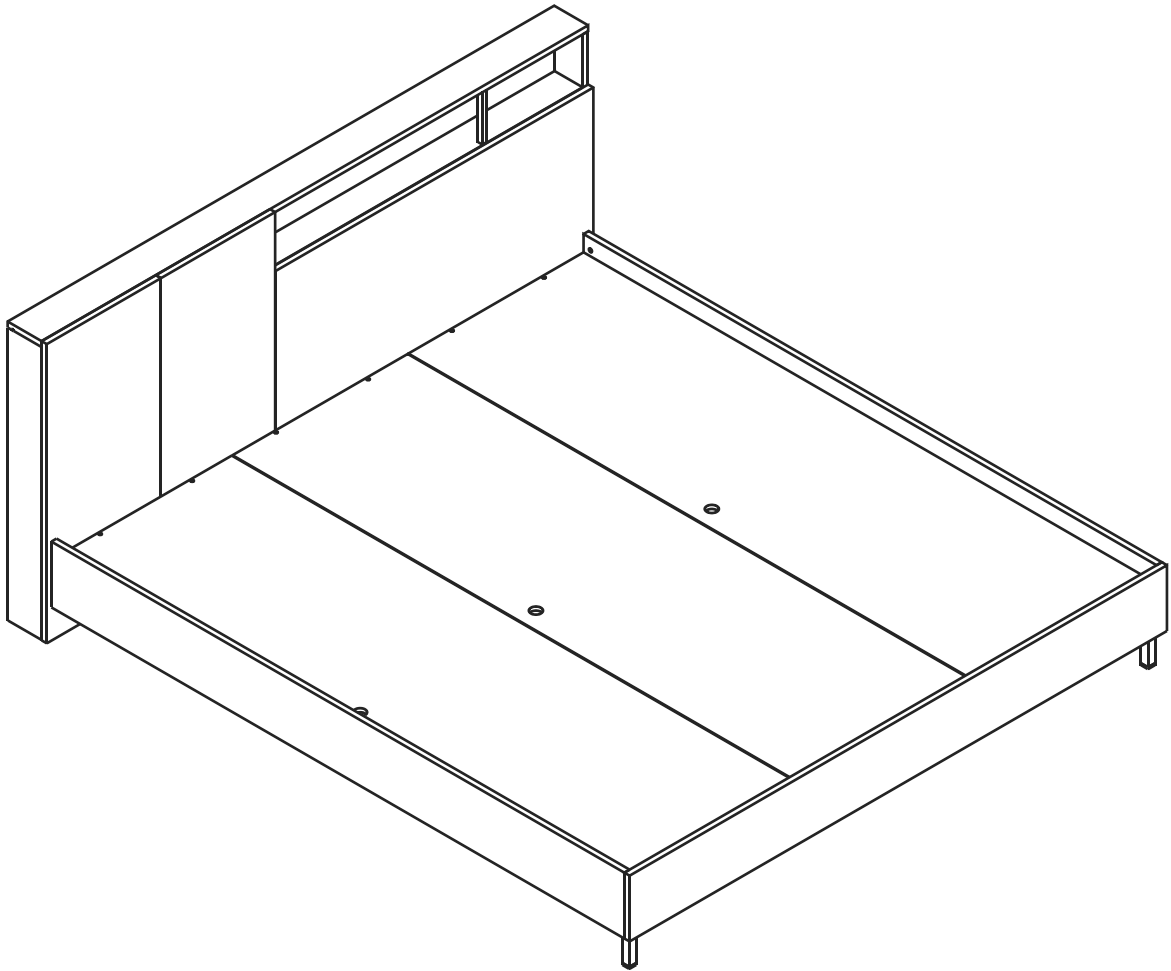


# HARVEST

**BED 5 ft.**

**BED 6 ft.**



# CONNECT SYSTEM

**1**

**3**

**2**

(Connecting bolts)

**WHEN FITTING CAMS**  
 ENSURE STARTING POSITION IS CORRECT  
 BEFORE YOU INSERT CONNECTING BOLT  
 TURN CLOCKWISE UNTIL SECURE

✓				<b>✗</b>
↑				
<b>CORRECT</b>		<b>WRONG</b>		

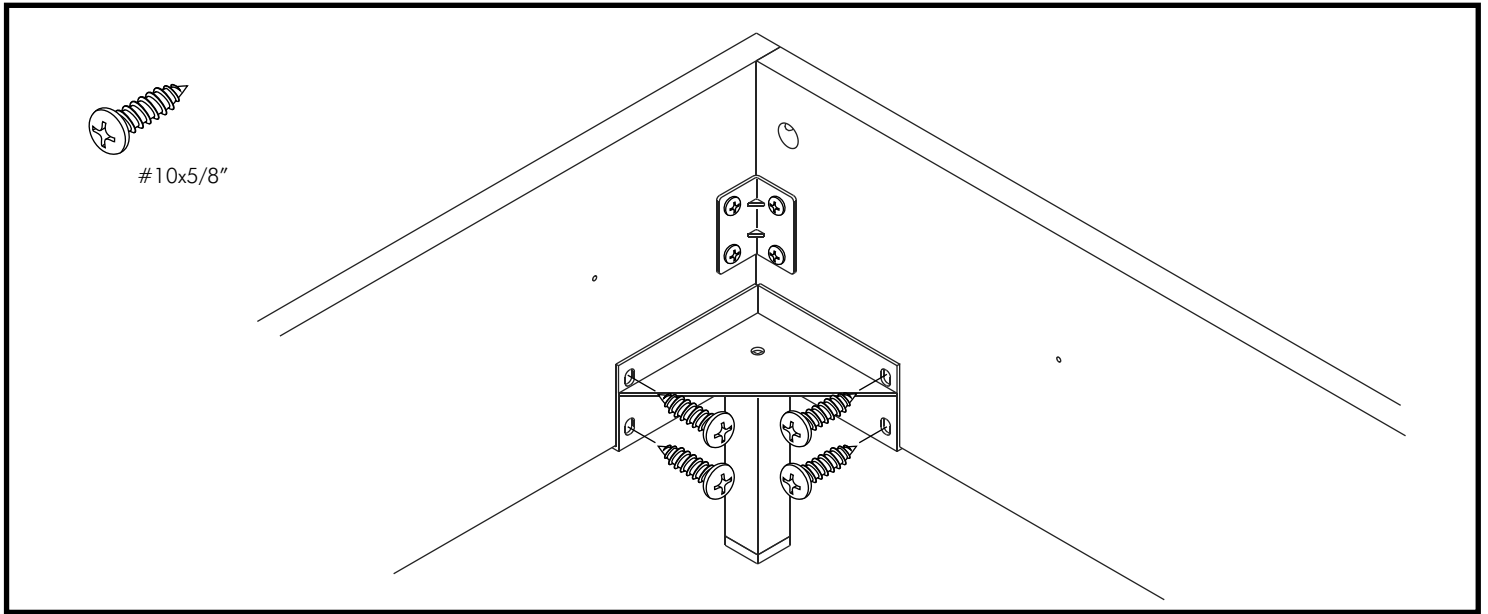
P+M4x16mm.

M6x45mm.

M6

M6

M4x16mm.



**1 Pc.**  
EQ EQ  
≤ 190mm.

**2 Pcs.**  
40mm. 40mm.  
≥ 191-850mm.

**3 Pcs.**  
100mm. EQ EQ 100mm.  
> 850-2000mm.

**4 Pcs.**  
100mm. EQ EQ EQ 100mm.  
> 2001mm.

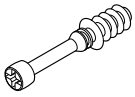
**i** 40mm.

---

EQ

# HARDWARE

## -BODY SET

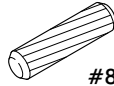


**x 4**



19mm.

**x 4**



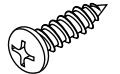
#8x35

**x 8**



M4x16mm.

**x 27**



#10x5/8"

**x 8**



**x 3**



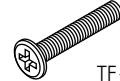
#M6

**x 4**



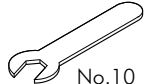
#M6

**x 4**



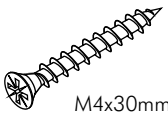
TF+M6x45

**x 4**



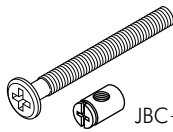
No.10

**x 1**



M4x30mm.

**x 48**



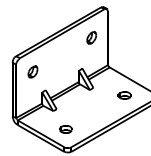
JBC+M6x60

**x 4**

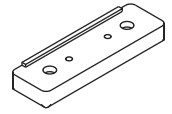


No.1

**x 3**



**x 4**



**x 7**



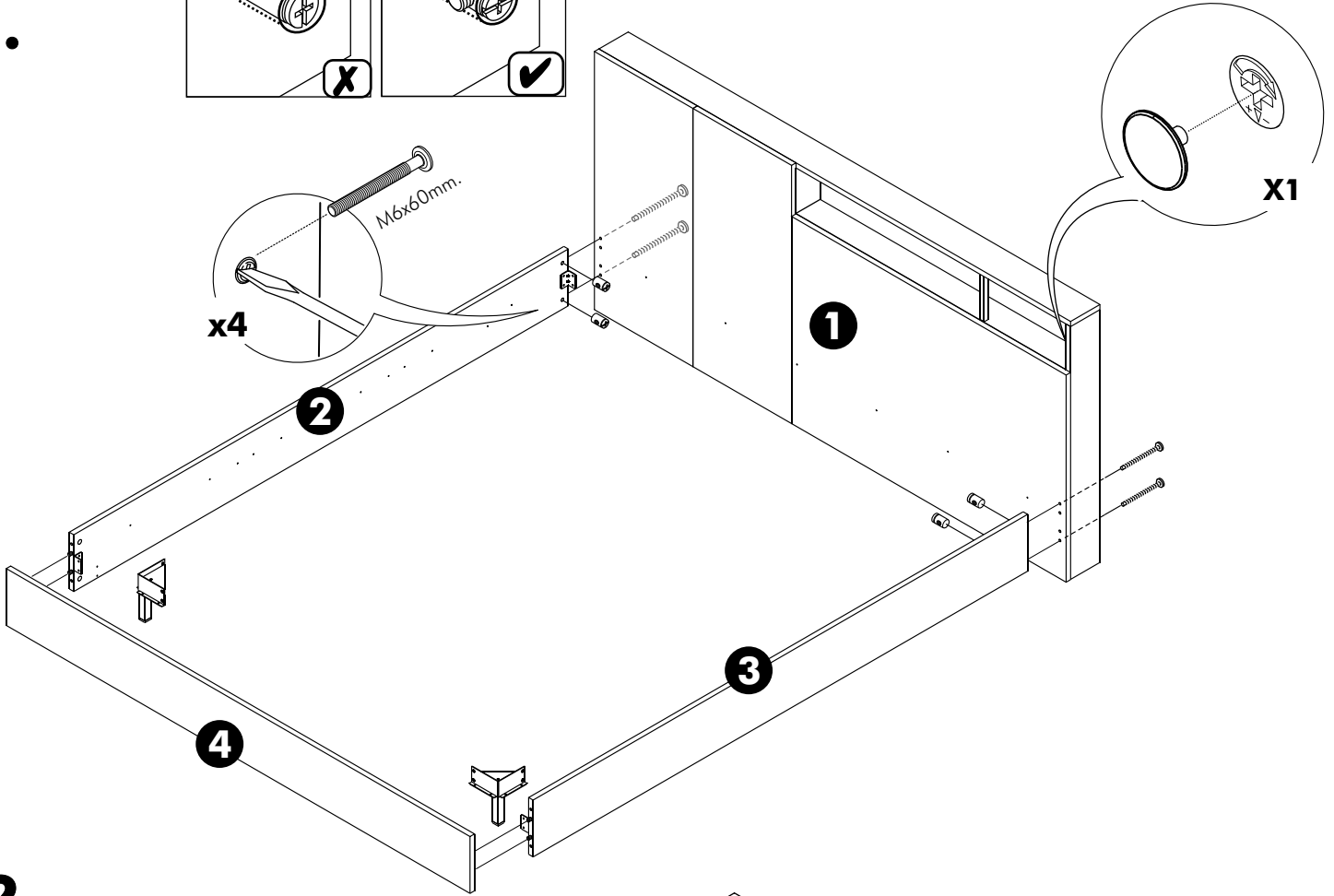
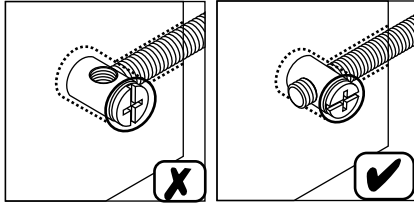
M4x16mm.

**x 14**

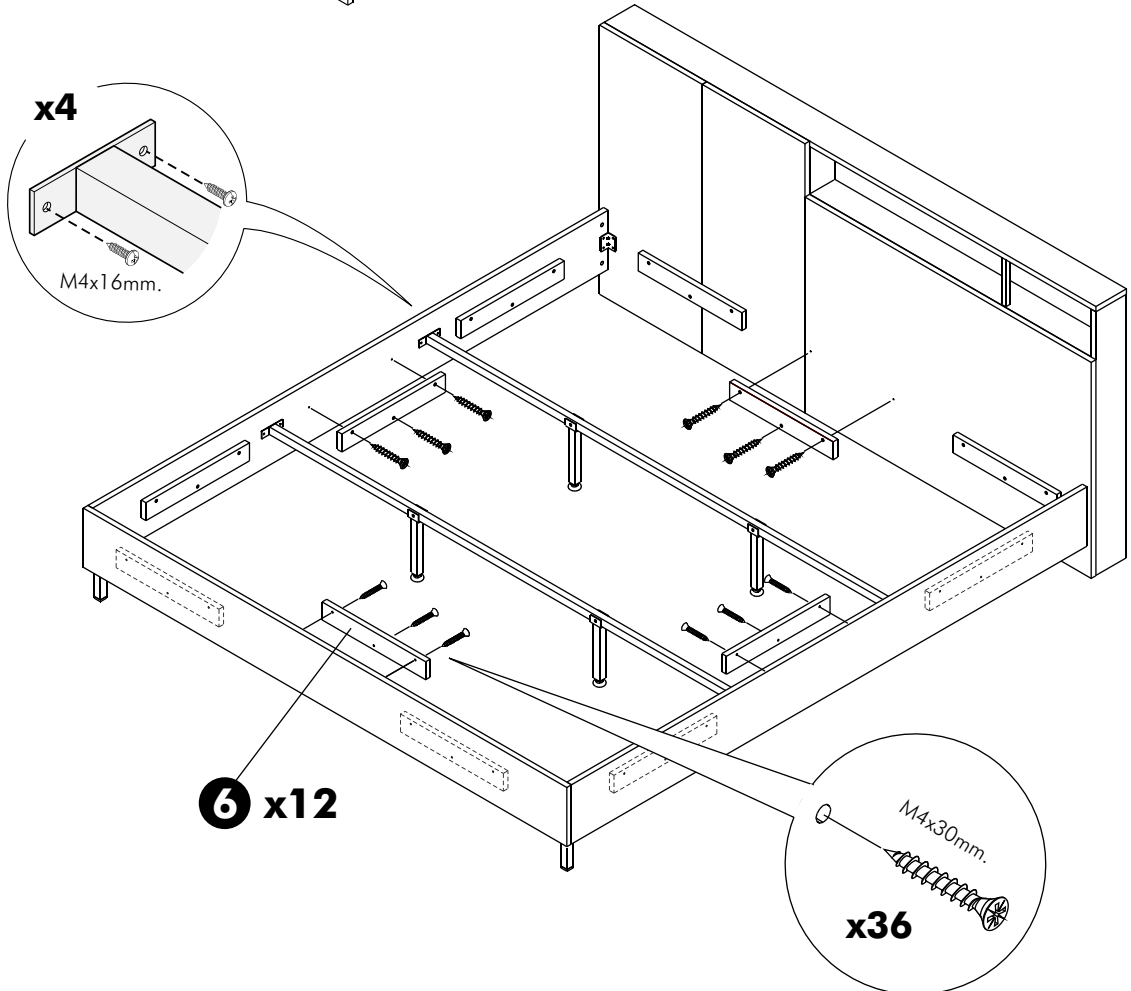
# ASSEMBLY

-BODY SET

**1.**



**2.**



**3.**

