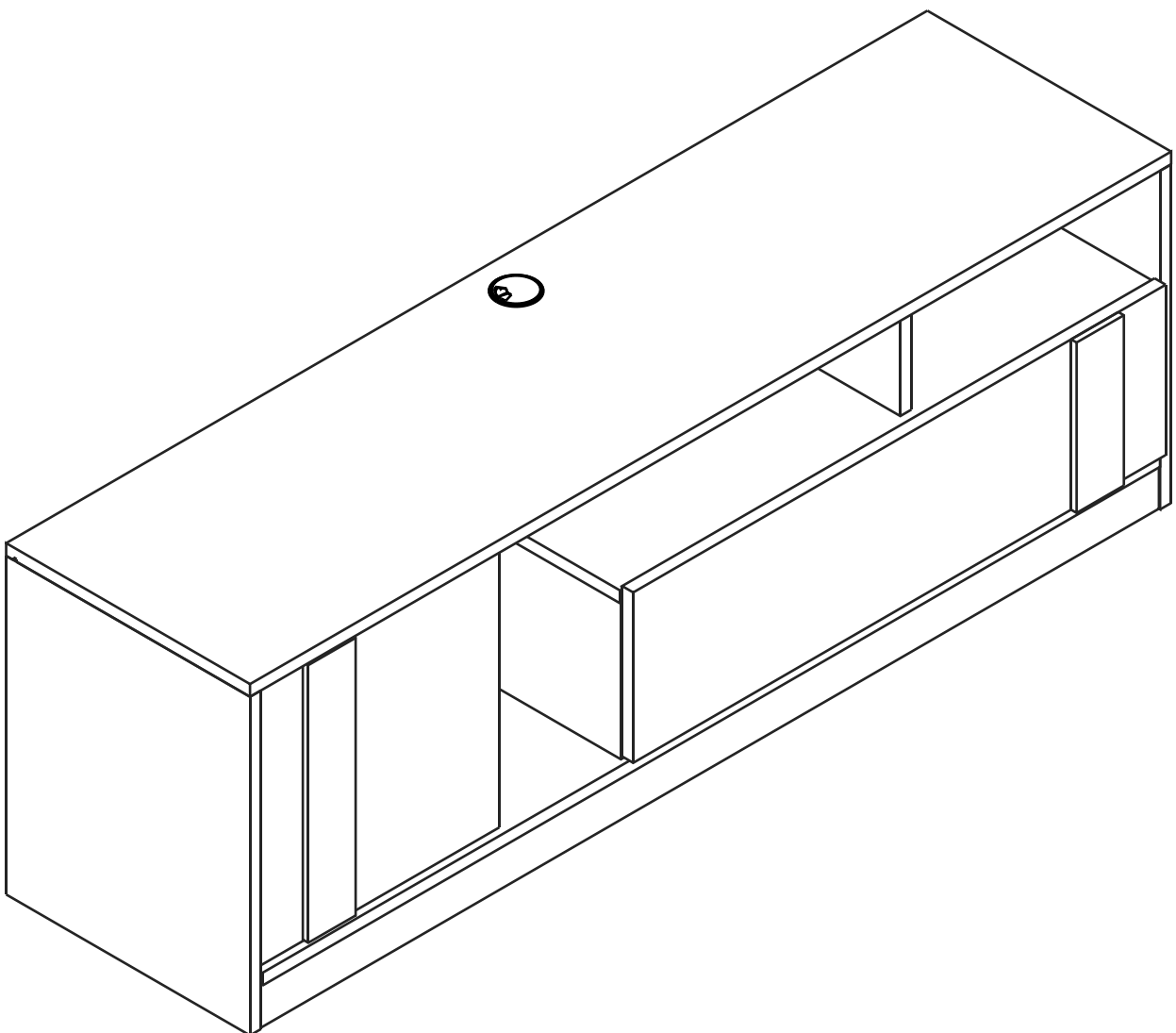
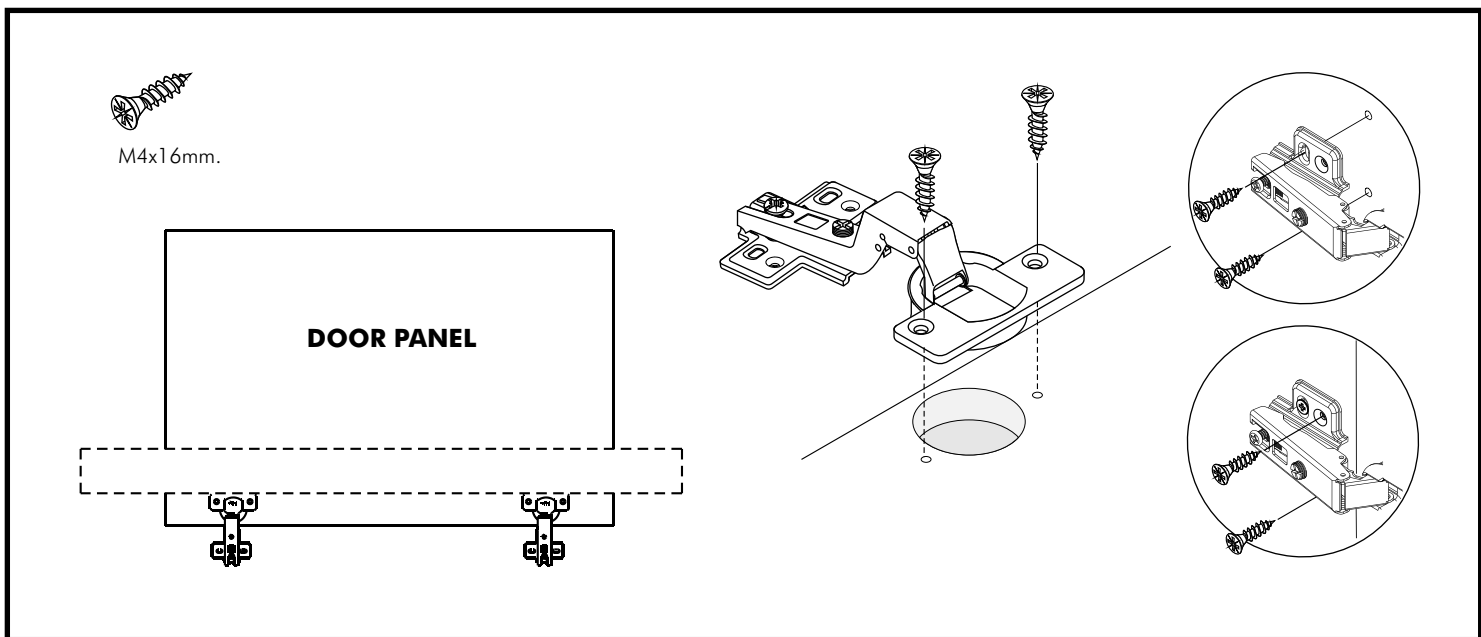
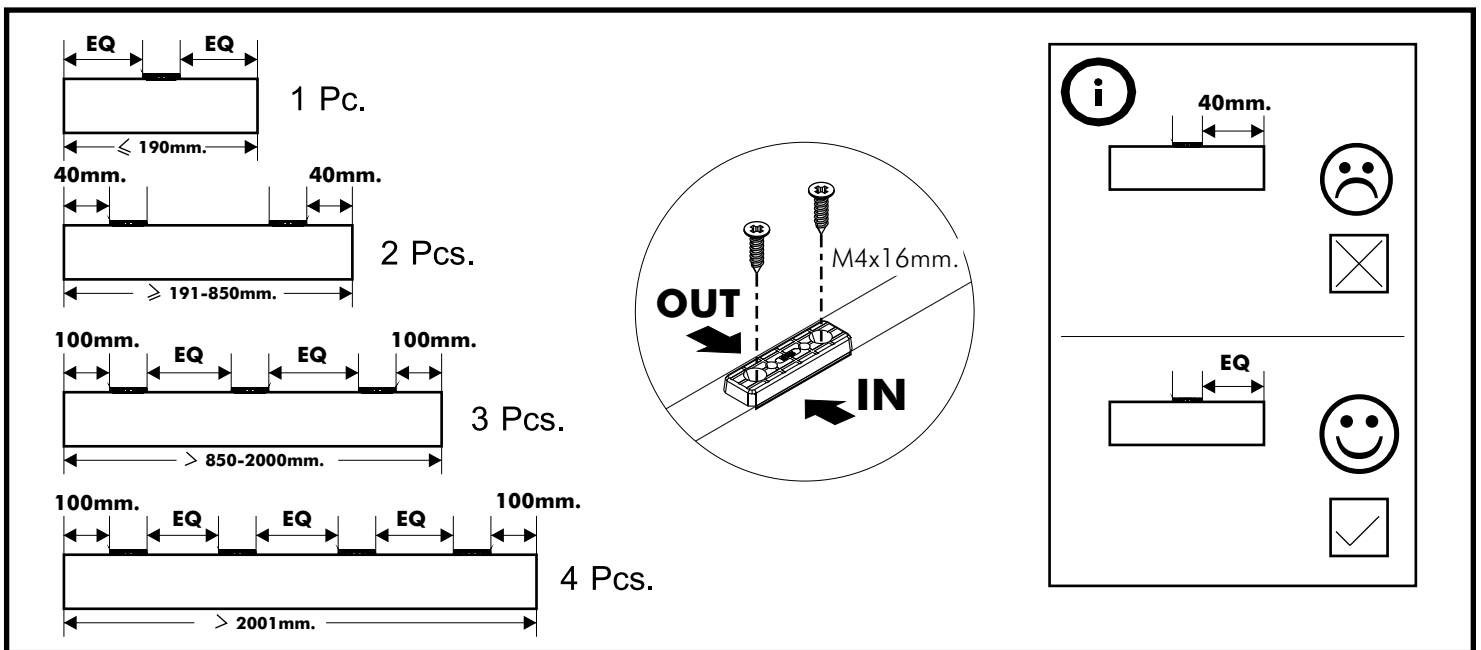


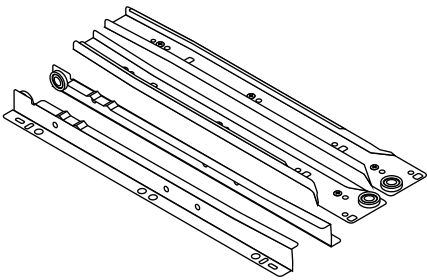
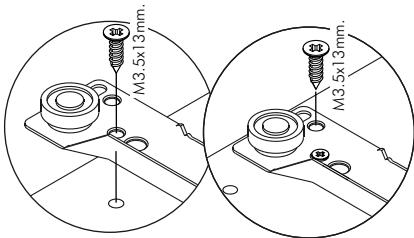
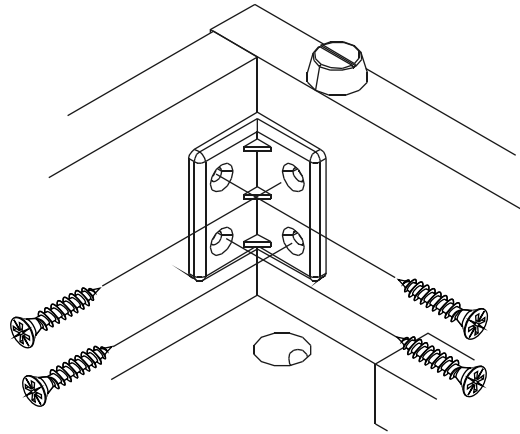
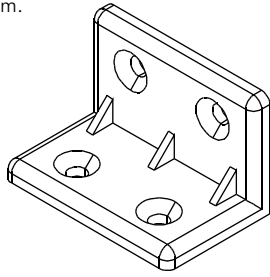
PIANO-P

Tv stand 150cm



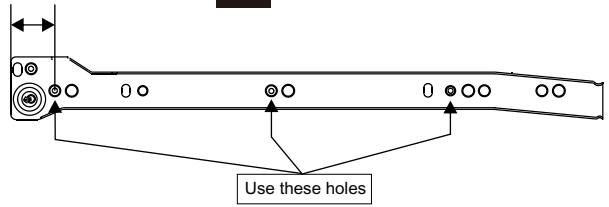
CONNECT SYSTEM



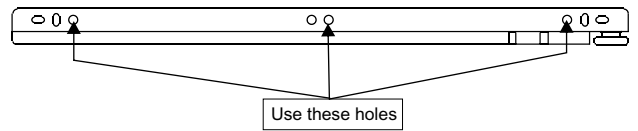


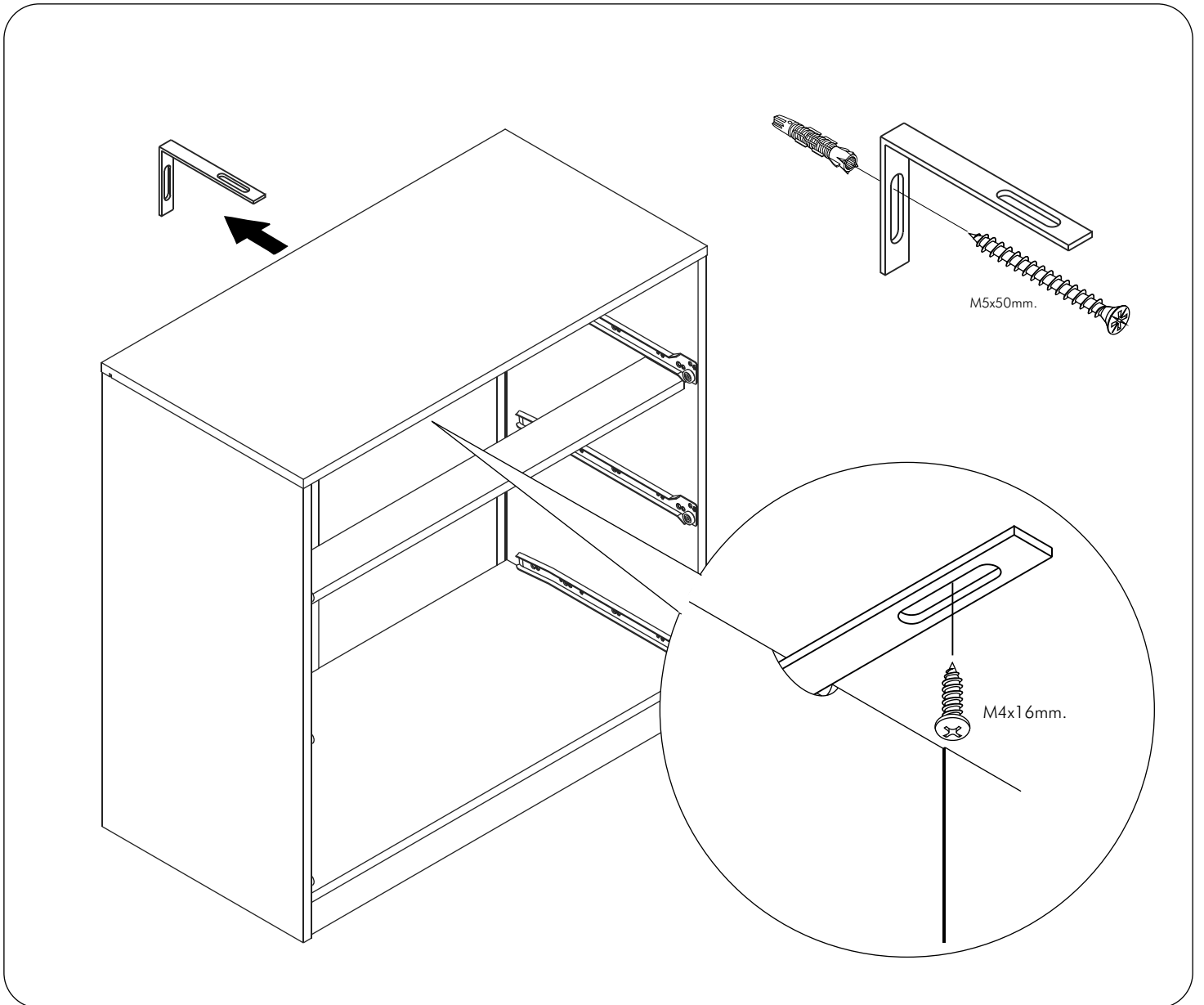
28mm.

1



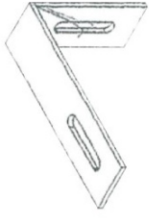
2



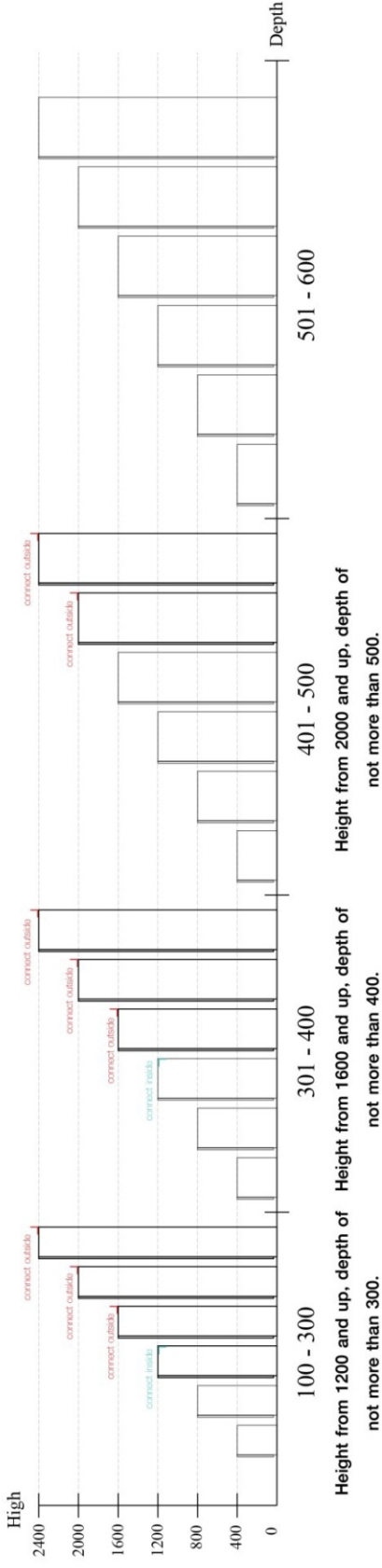


The Standard for identifying which mounted safety fall protection fitting to use **Note : That children's products must be installed with all anti-falling fittings.**

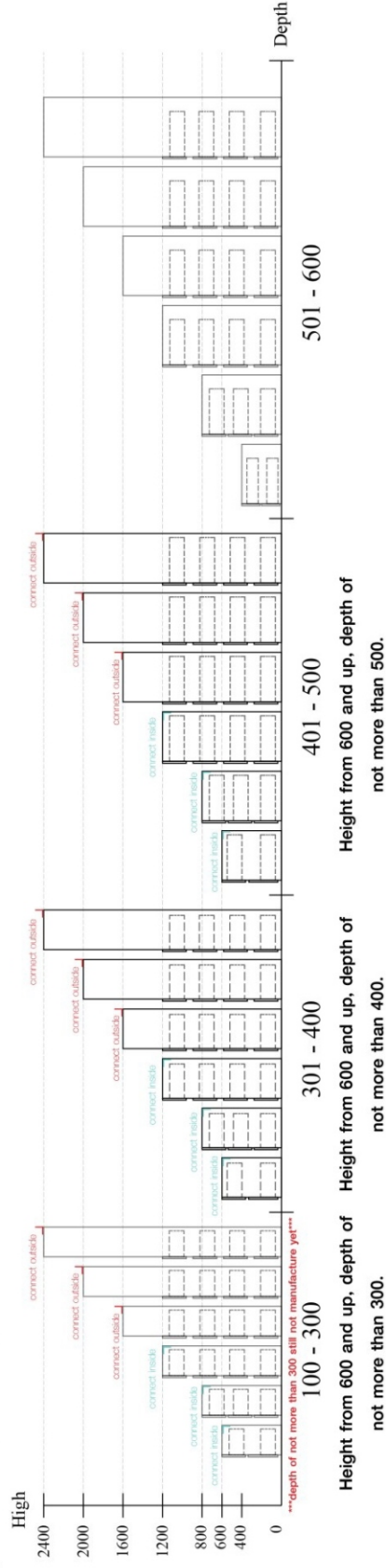
■ Mounted fall protection fittings



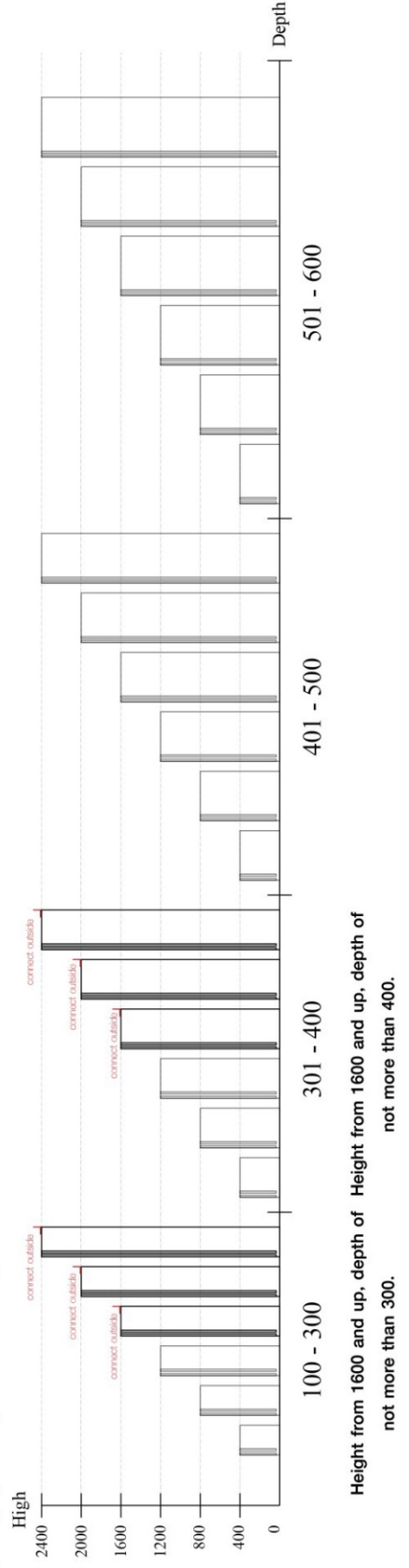
■ Category : Cabinet with open doors



■ Category : Chest of drawers

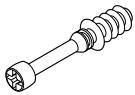


■ Category : Sliding door cabinet / Open cabinet



HARDWARE

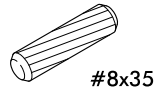
-BODY SET



x 16



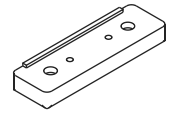
x 16



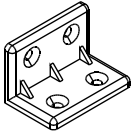
x 22



x 8



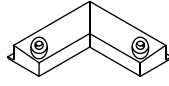
x 10



x 10



x 1



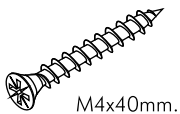
x 2



x 6



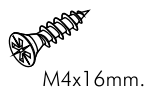
x 3



x 6



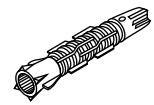
x 10



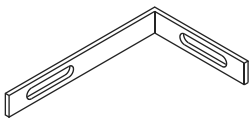
x 60



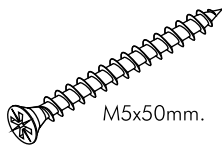
x 1



x 1



x 1

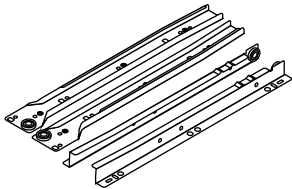


x 1

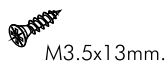


x 1

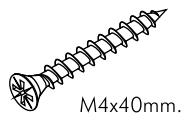
-DRAWER SET



x 1



x 14



x 12



x 3

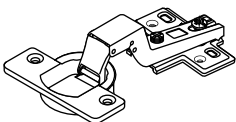


x 1



x 3

-DOOR SET



x 2



x 12

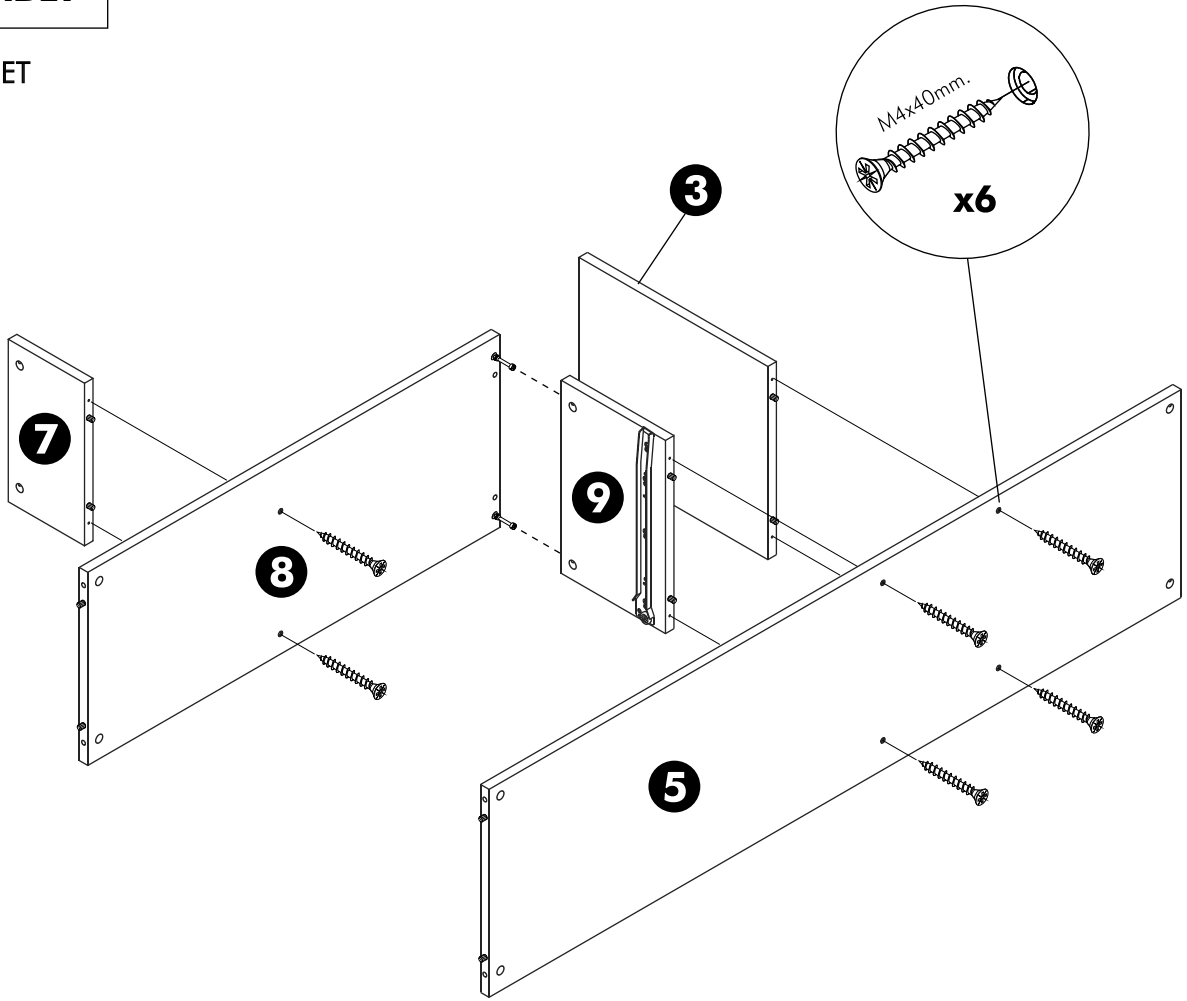


x 2

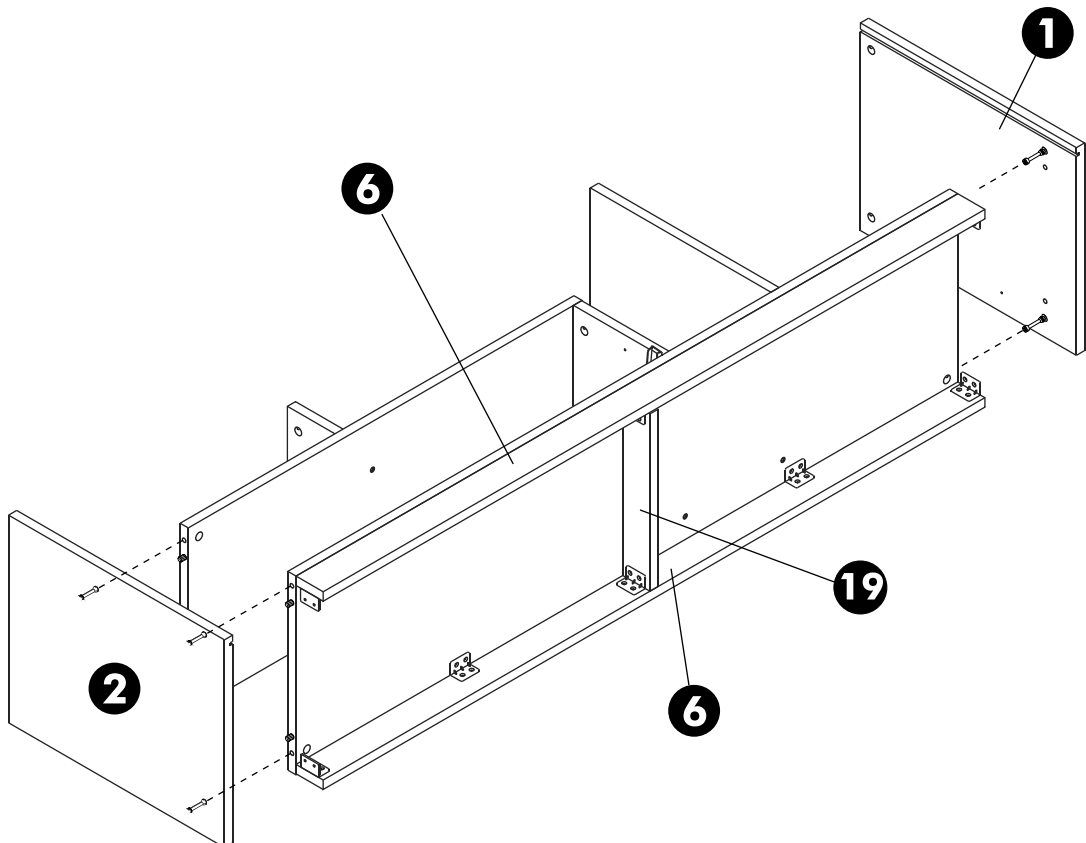
ASSEMBLY

-BODY SET

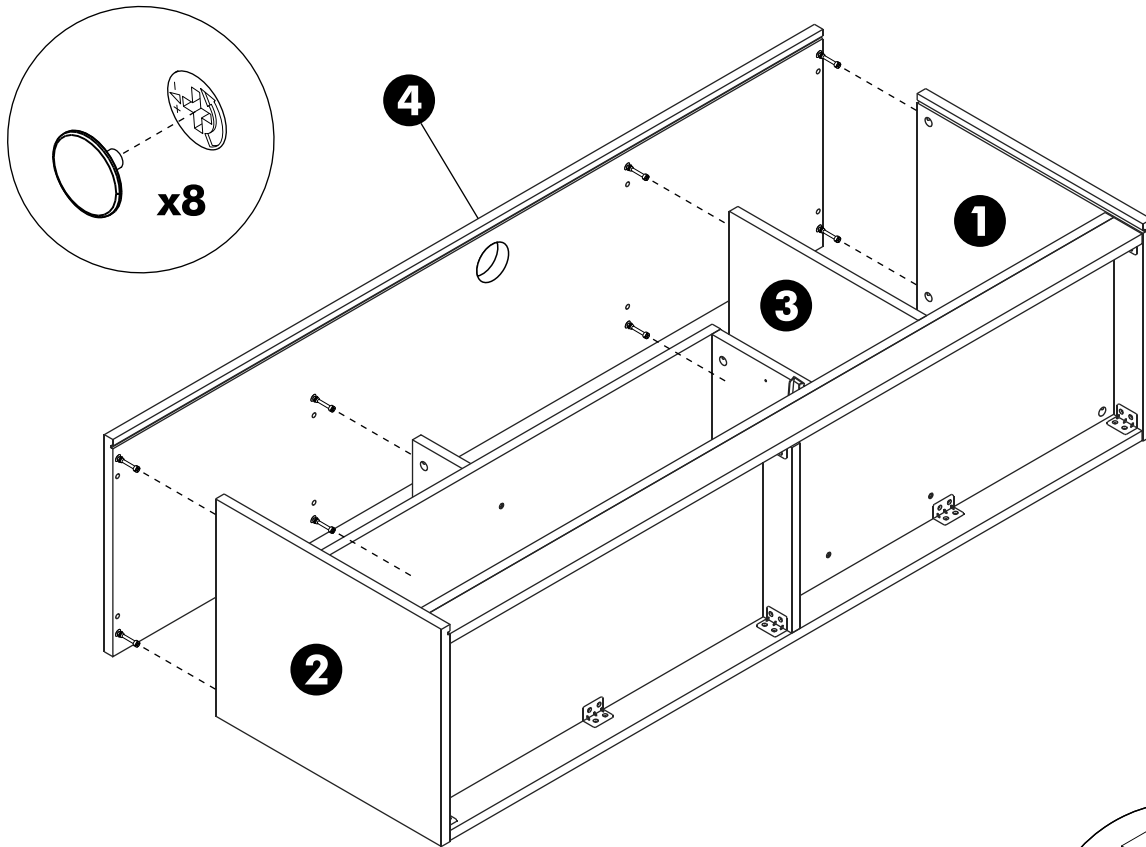
1.



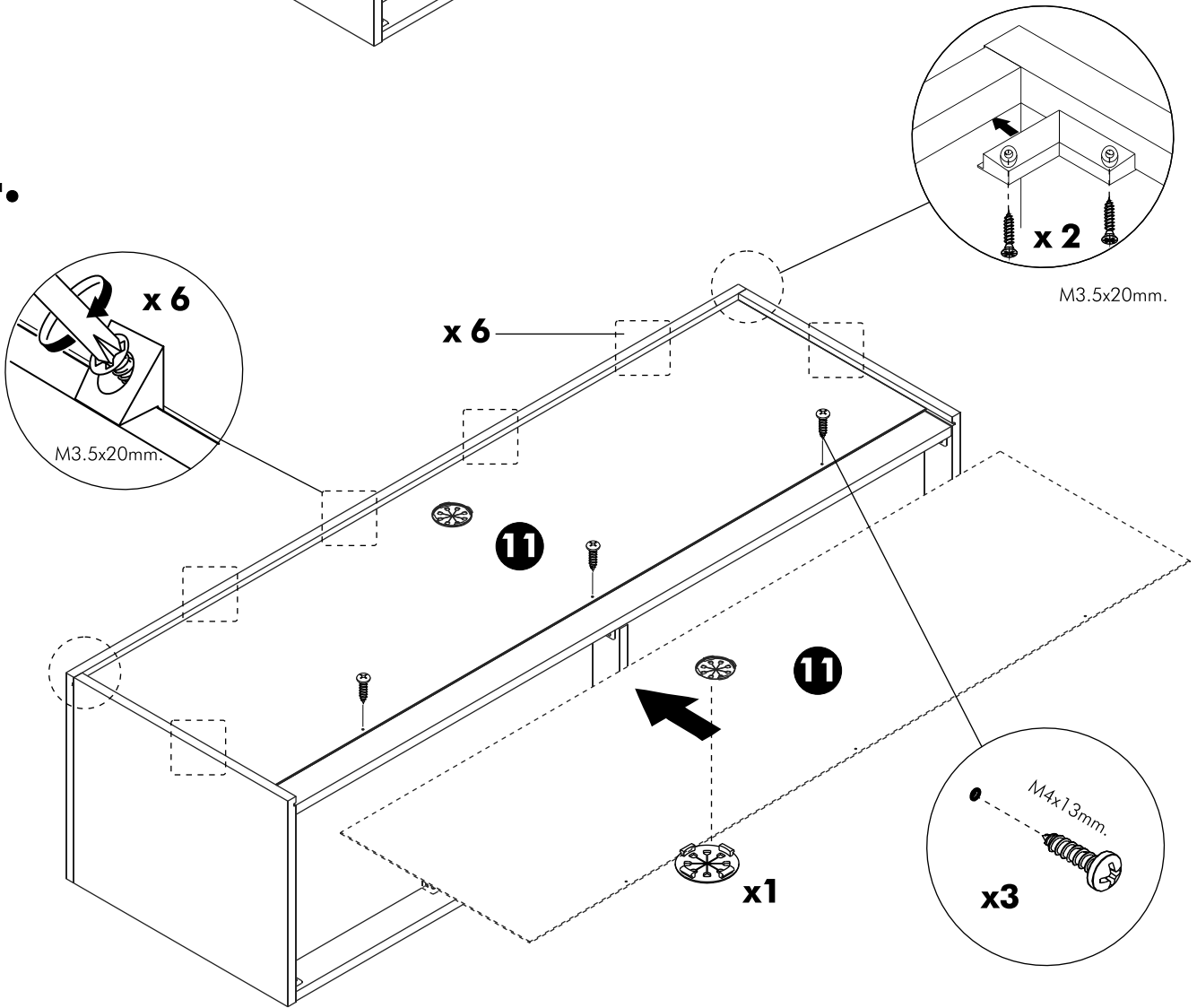
2.



3.

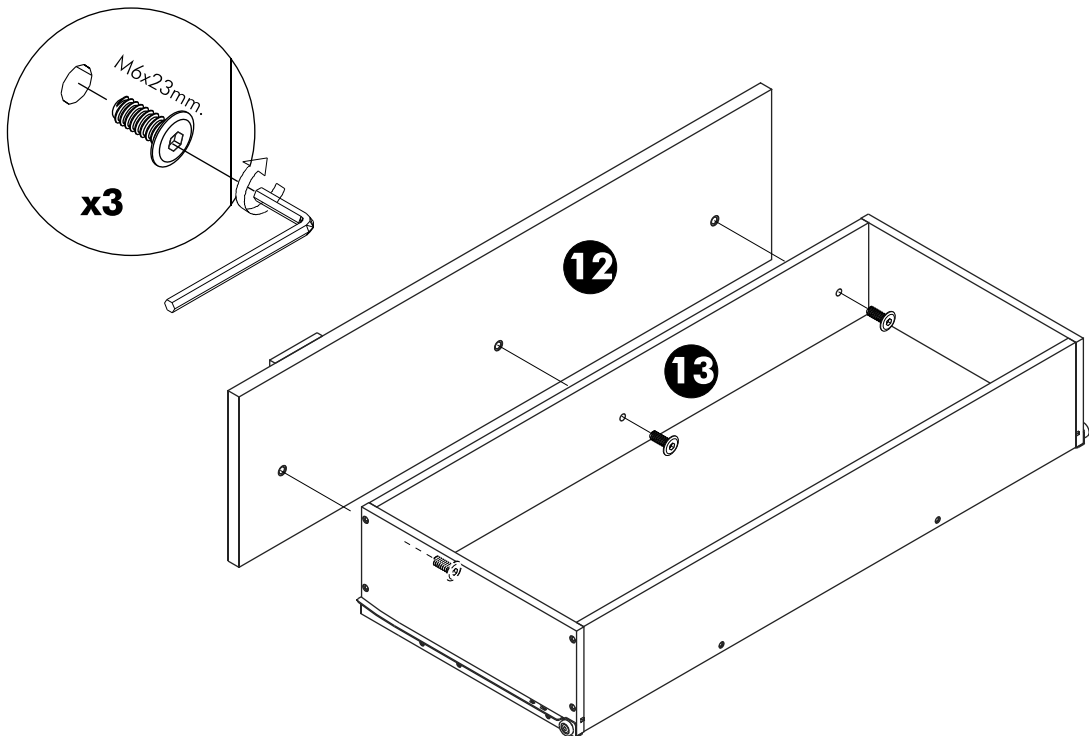
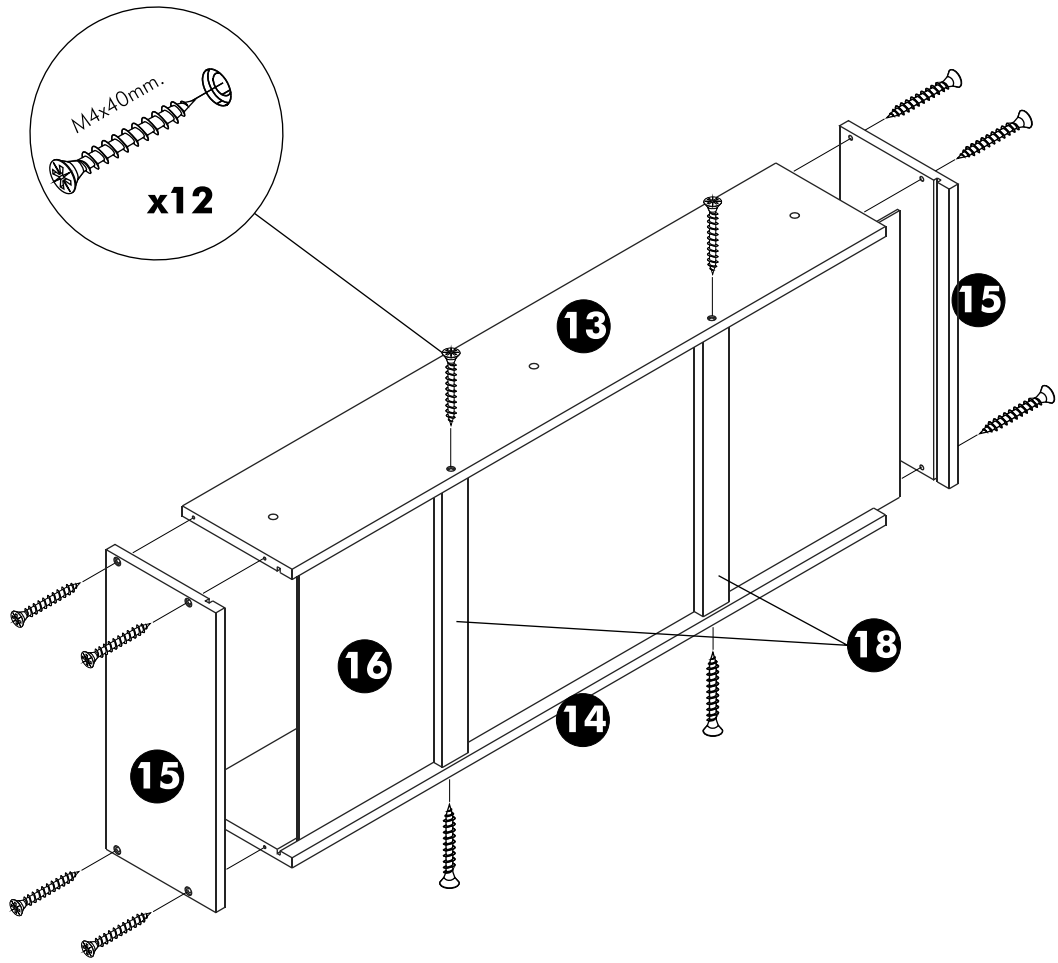


4.



ASSEMBLY

-DRAWER SET



ASSEMBLY

-DRAWER&DOOR SET

