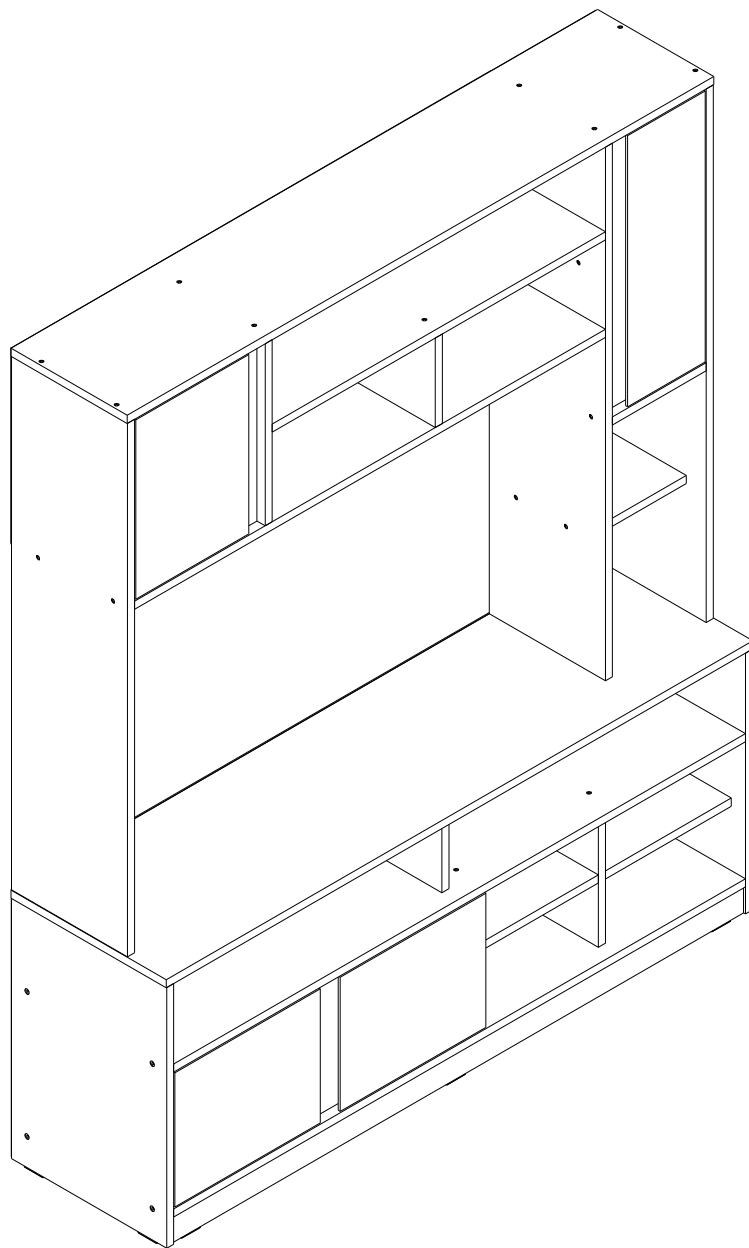
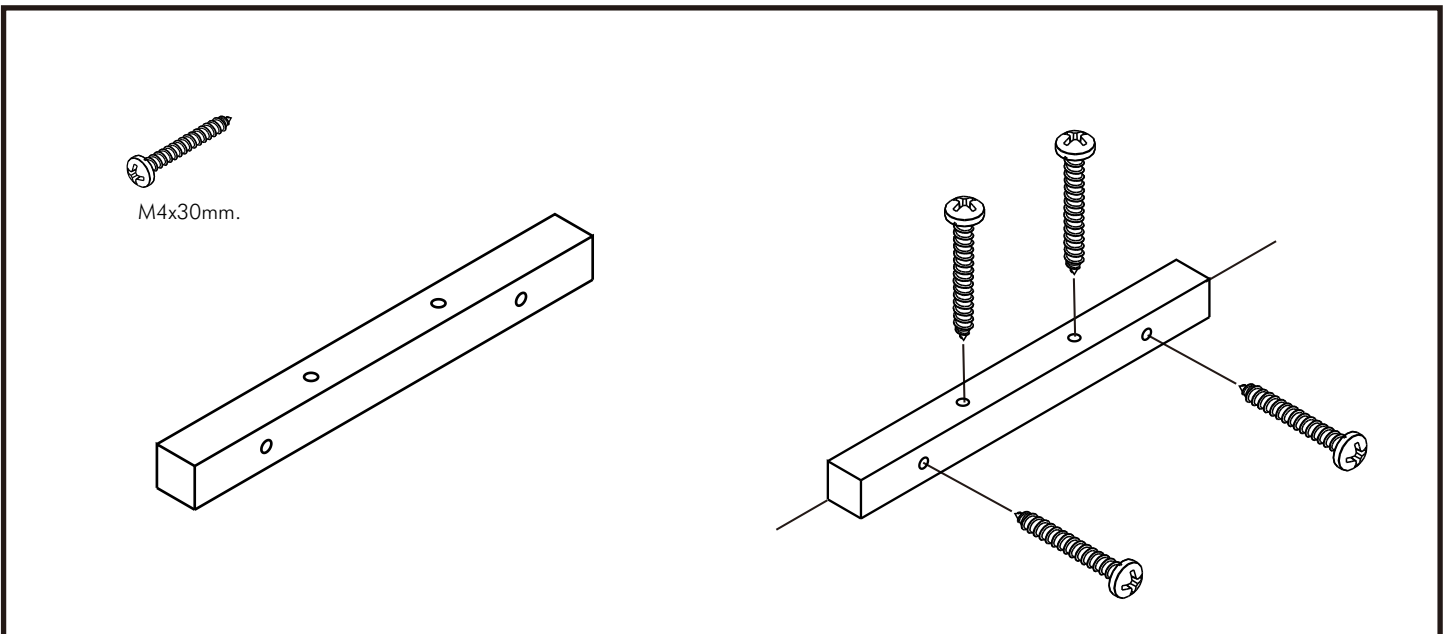
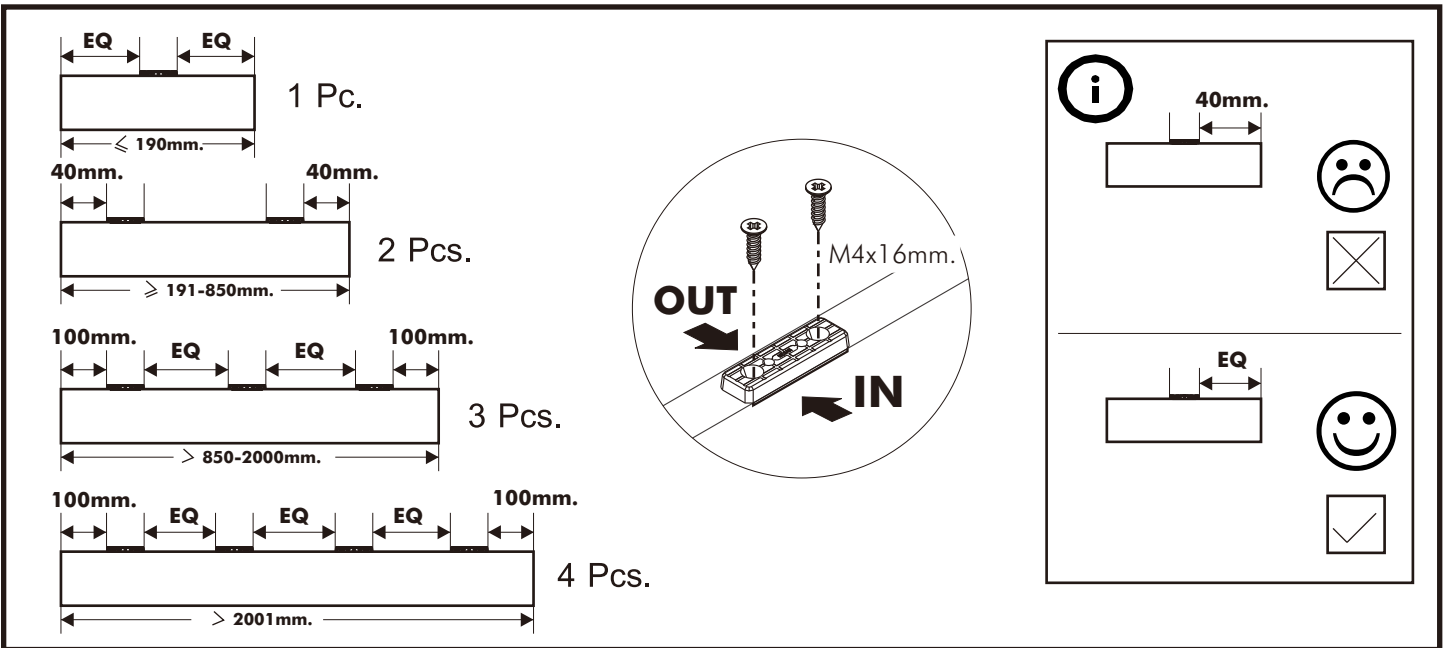
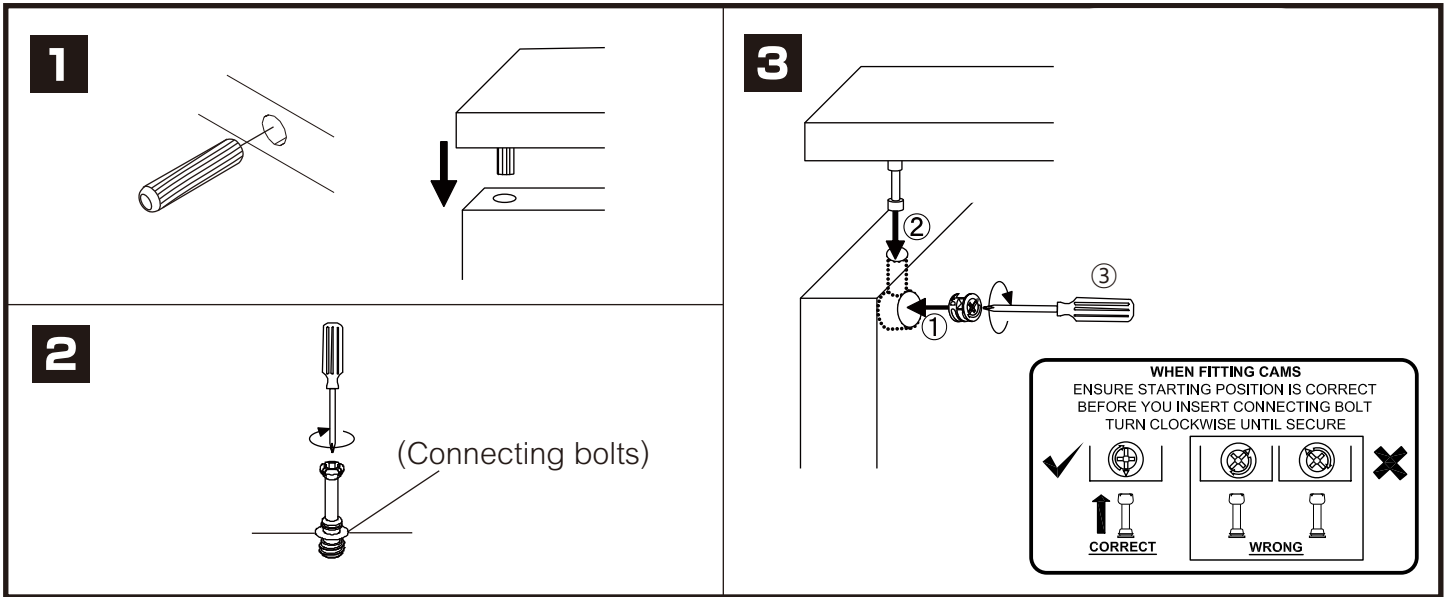


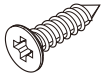
CO-SPENCER

TV Cabinet+Hutch 150 cm.

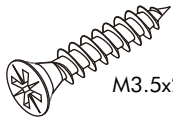
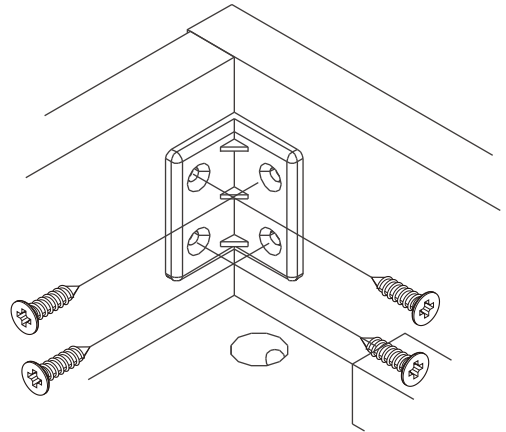
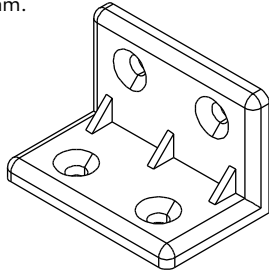


CONNECT SYSTEM

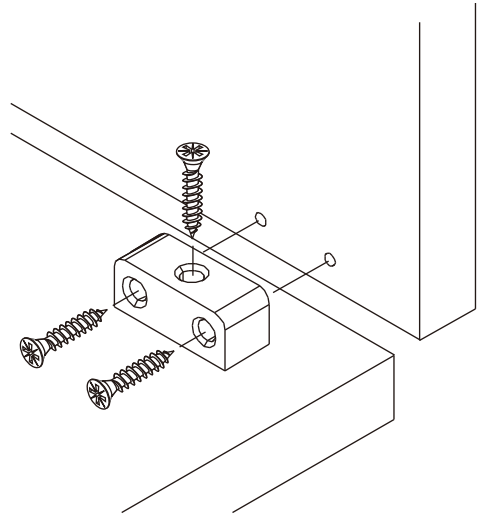
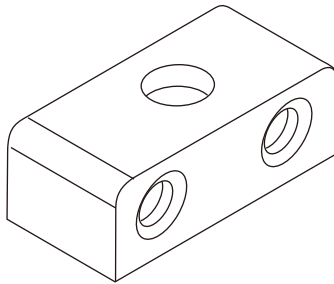




M4x16mm.

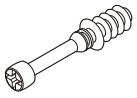


M3.5x25mm.



HARDWARE

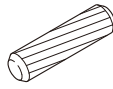
-BODY SET



x 6

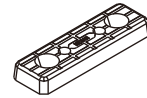


x 6

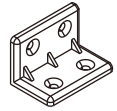


8x35mm.

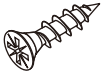
x 64



x 10



x 8

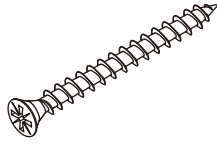


M4x16mm.

x 52



x 2

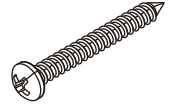


M4x50mm.

x 62



x 6



M4x30mm.

x 20



x 48



M4x20mm.

x 10



x 42



x 4



x 5



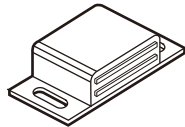
M3.5x25mm.

x 15

-DOOR SET



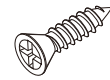
x 8



x 4



x 4



F+5x1/ 2"

x 4



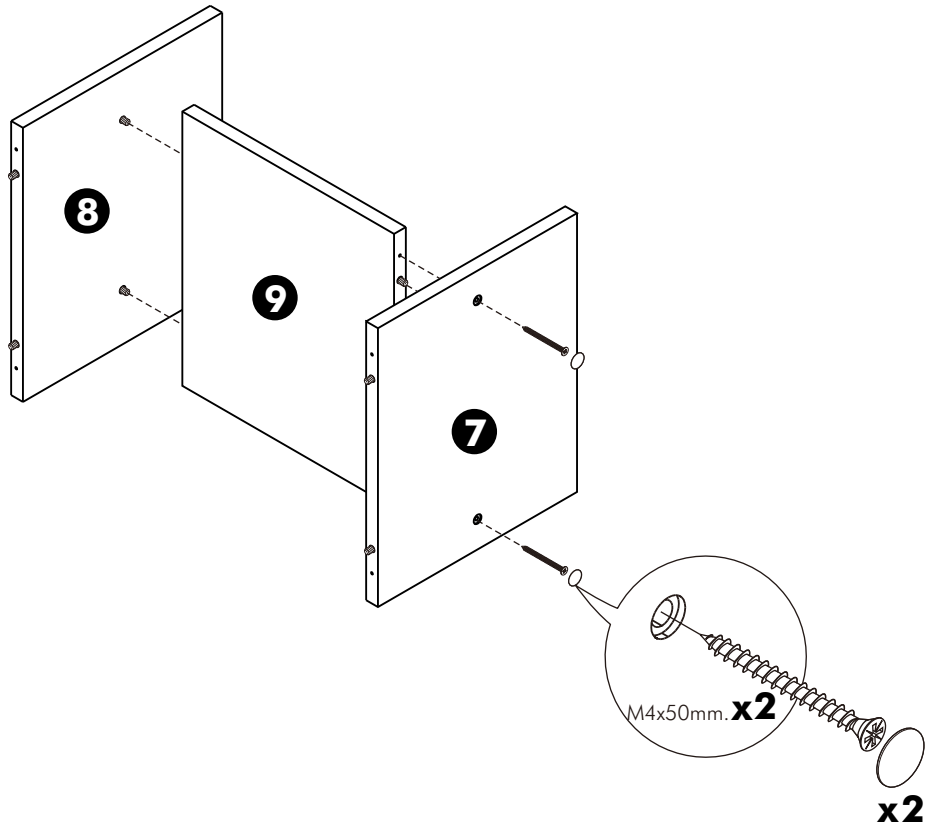
M3.5x13mm.

x 24

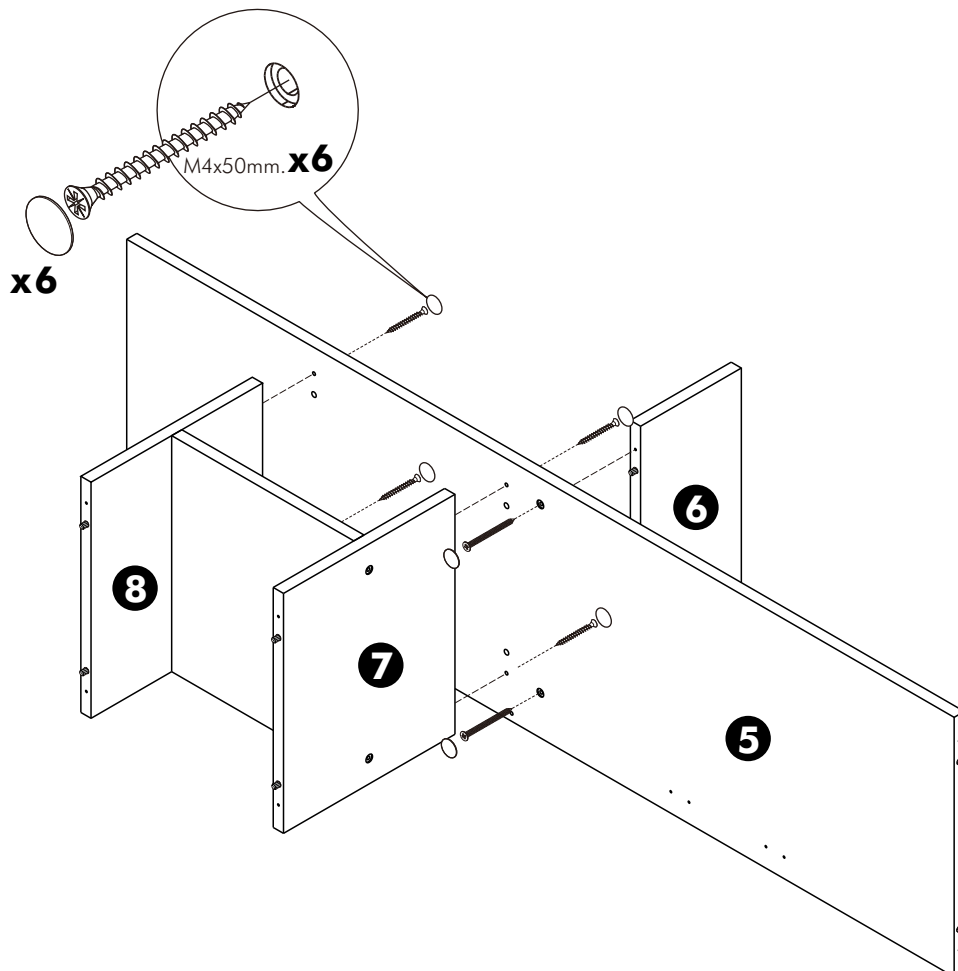
ASSEMBLY

-BODY SET

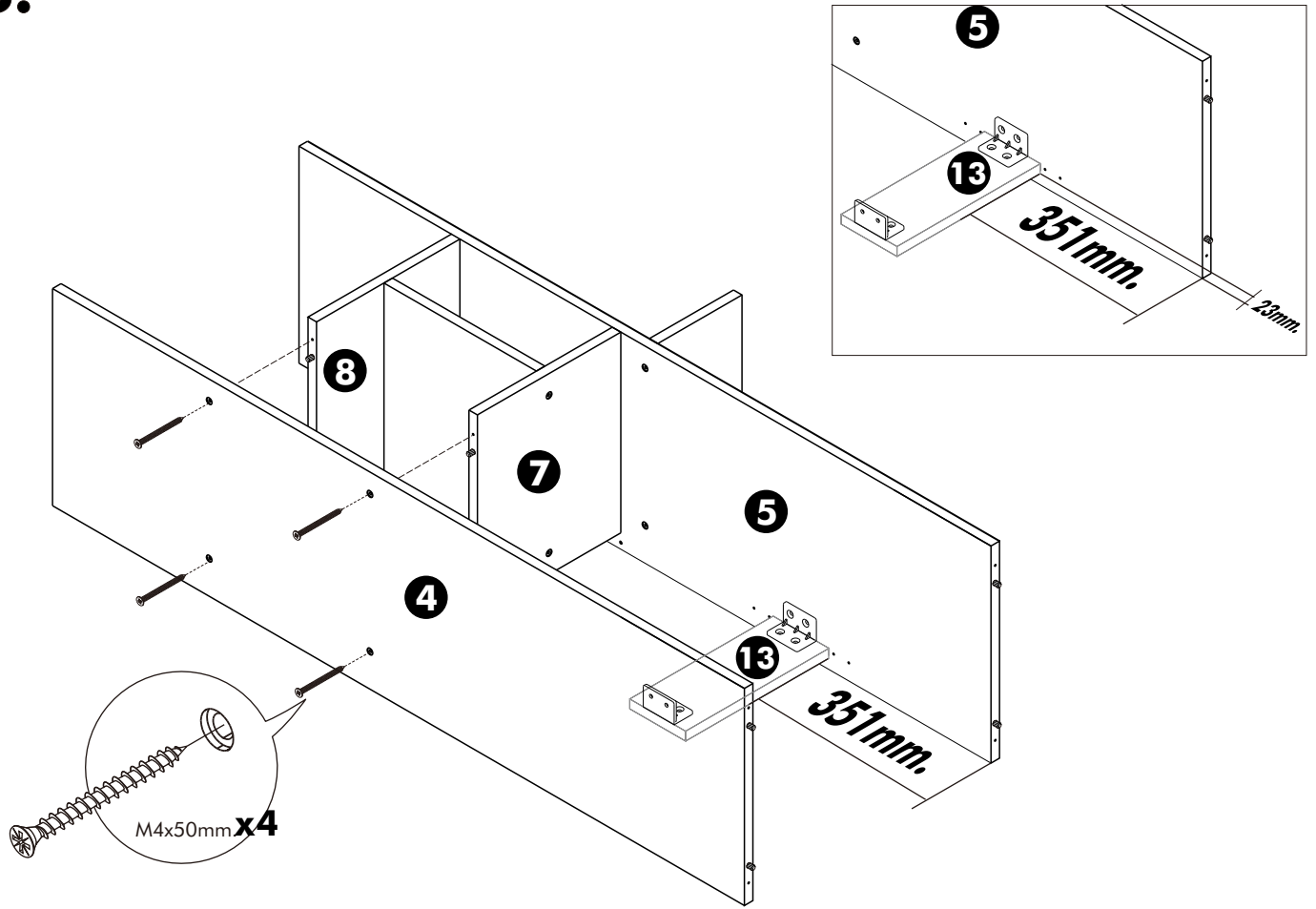
1.



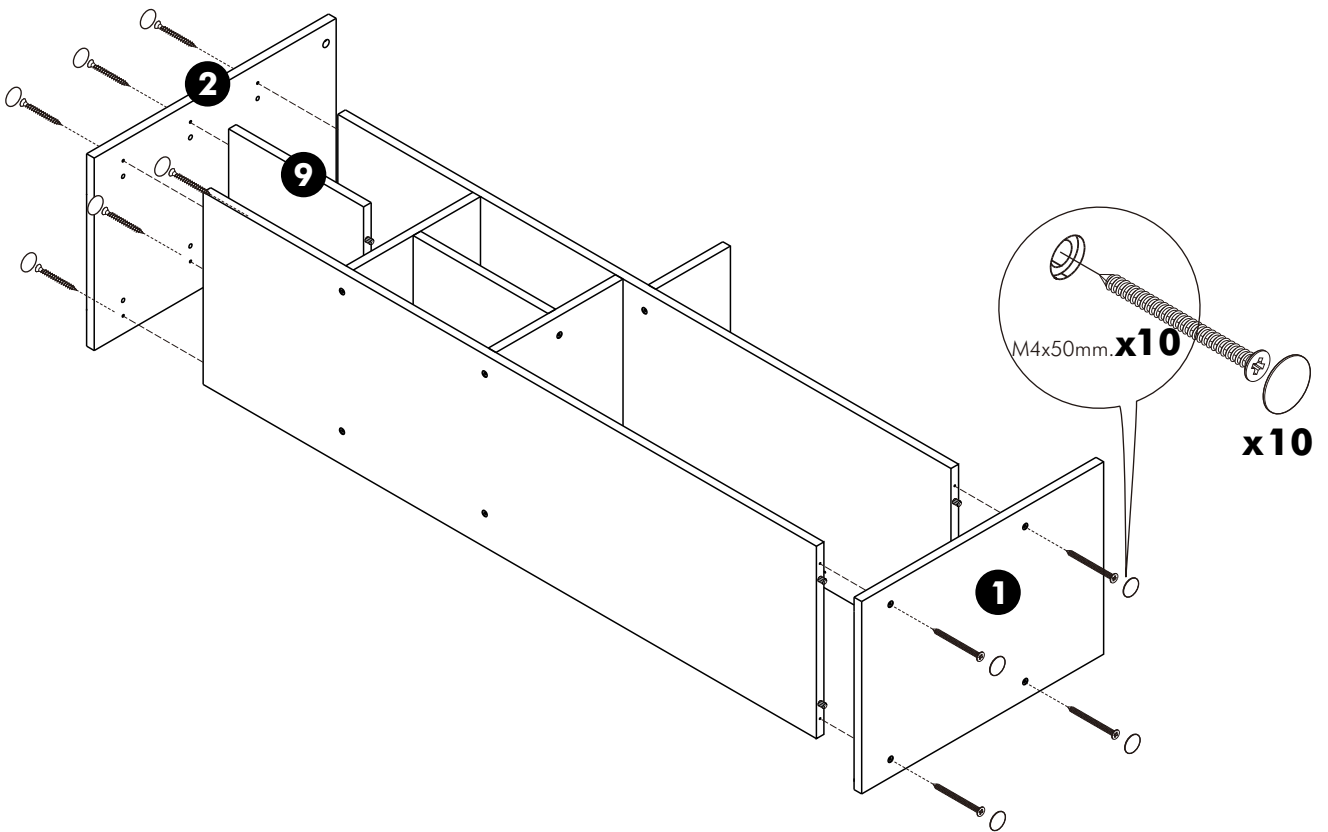
2.



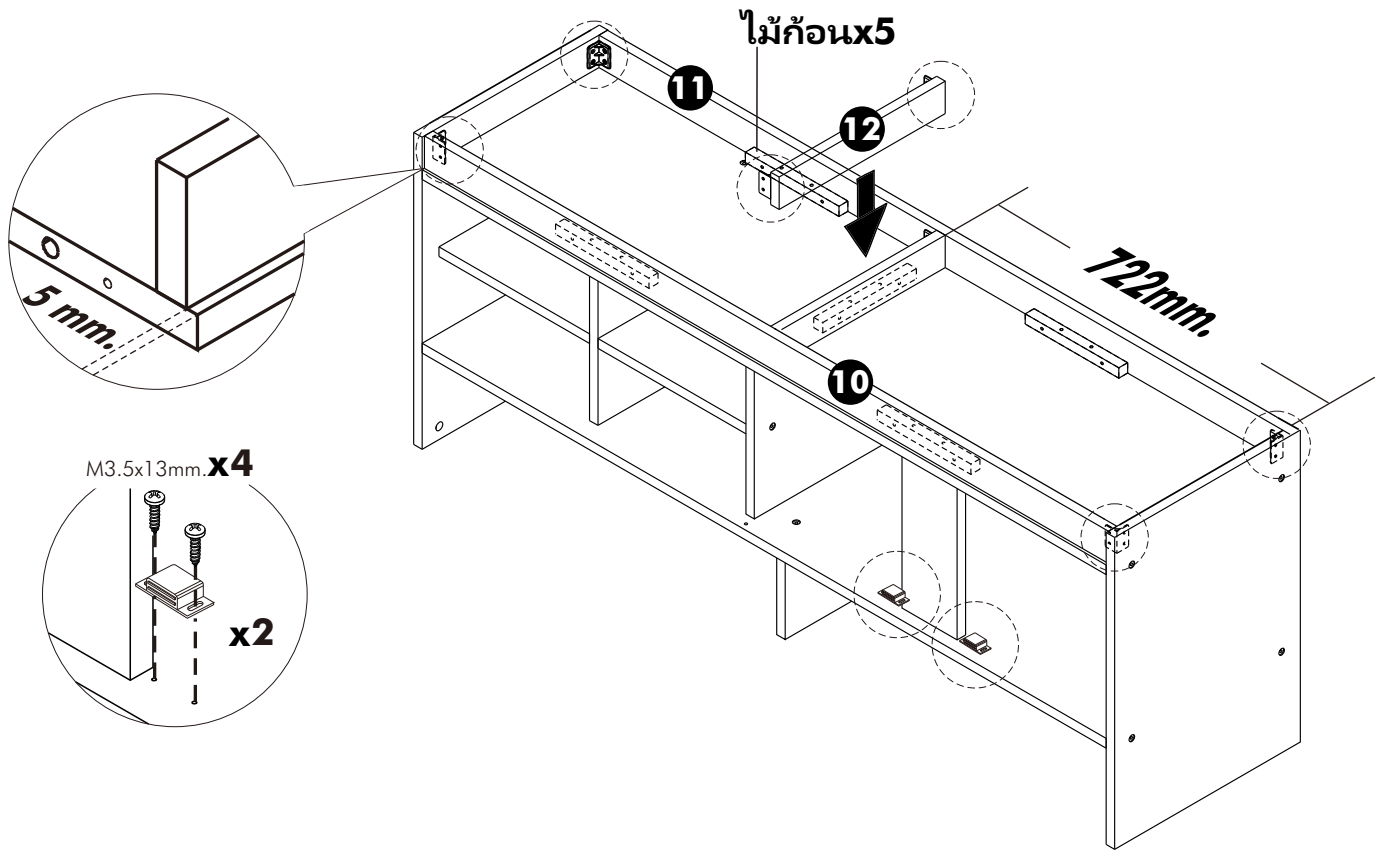
3.



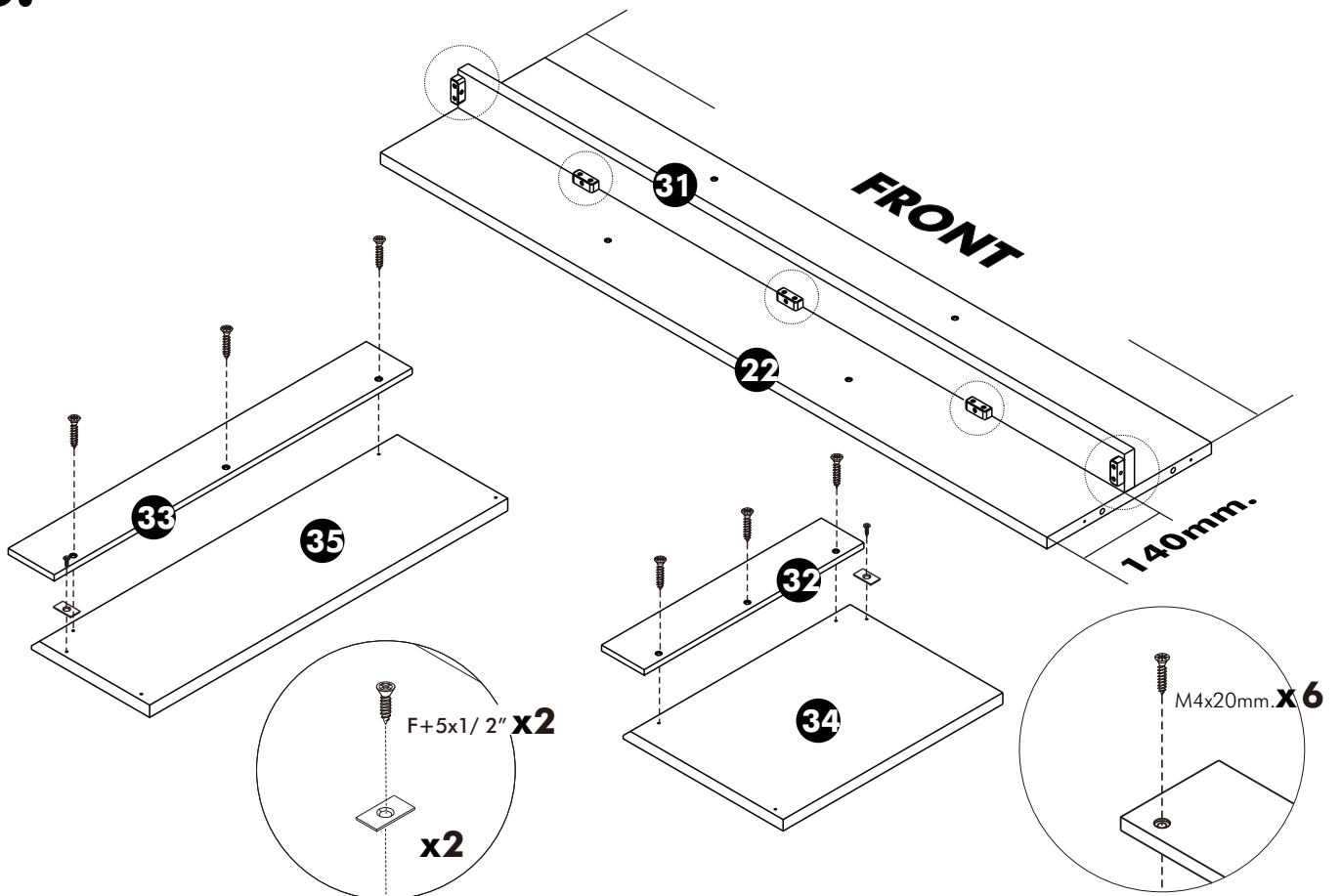
4.



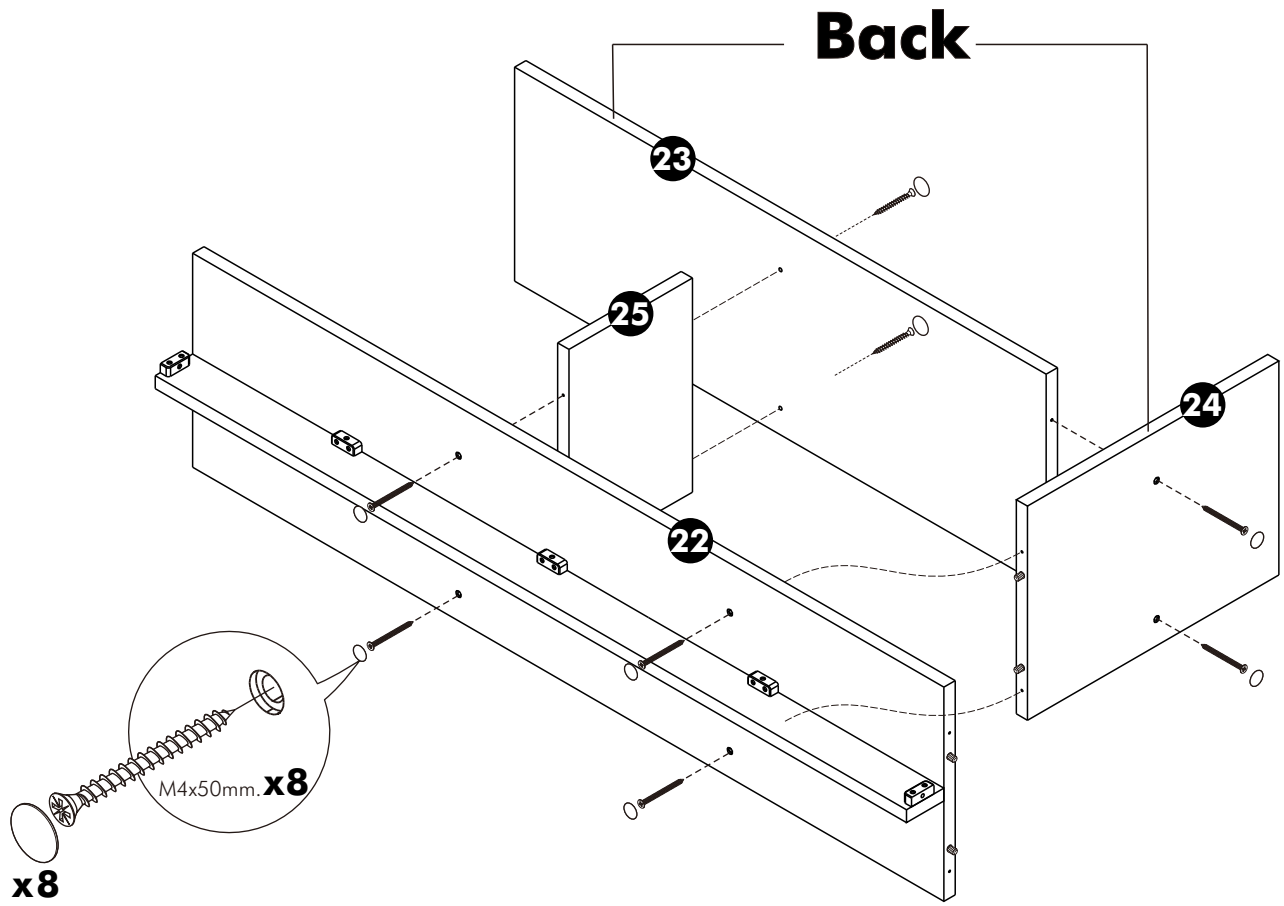
5.



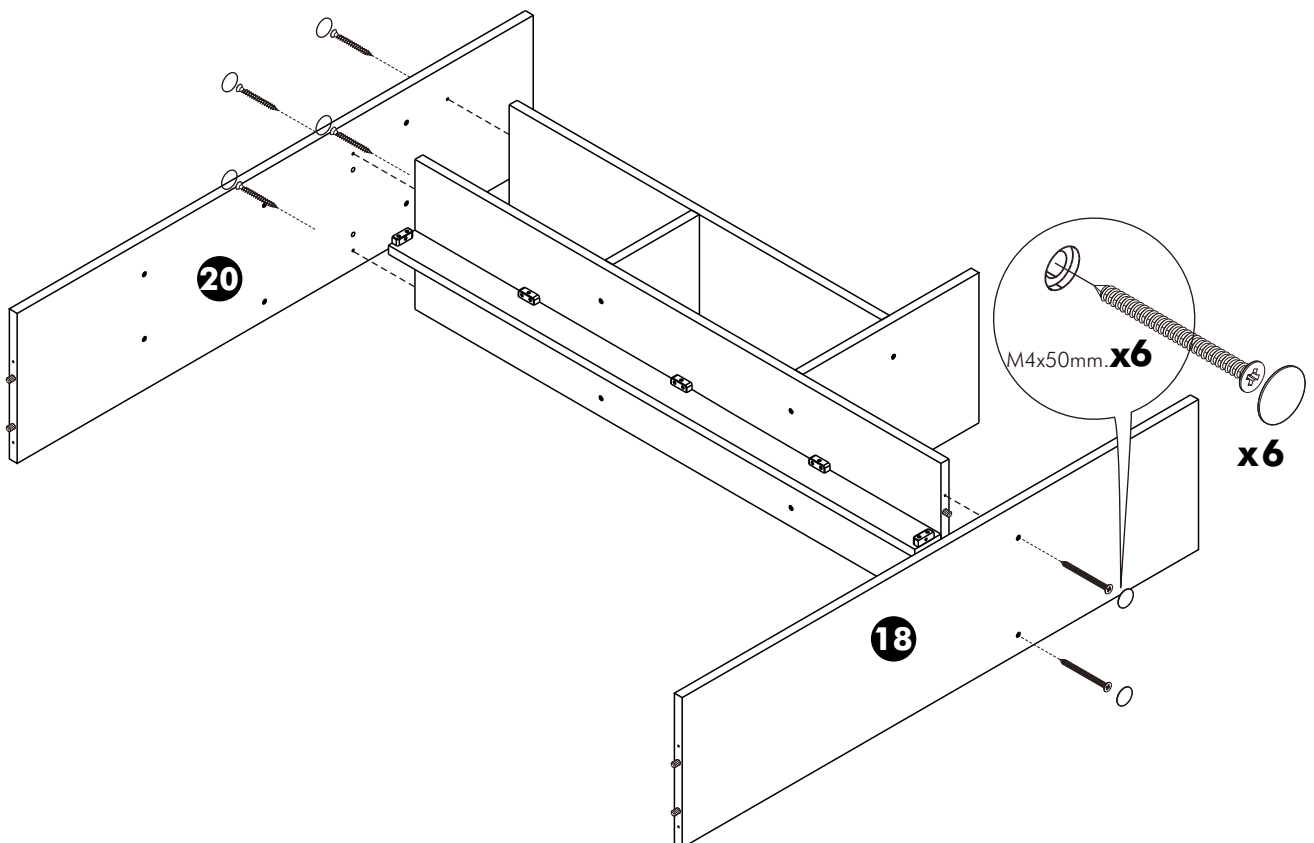
6.



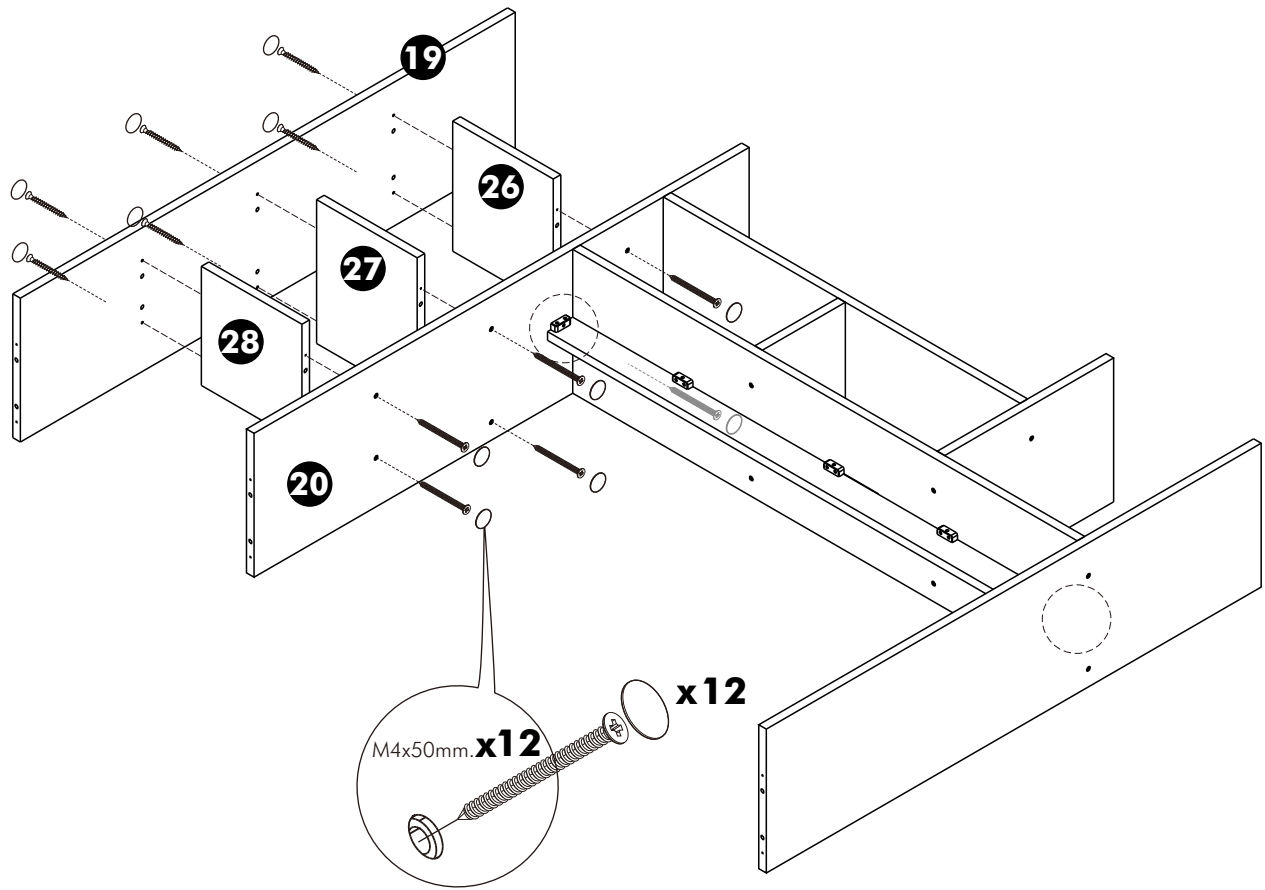
7.



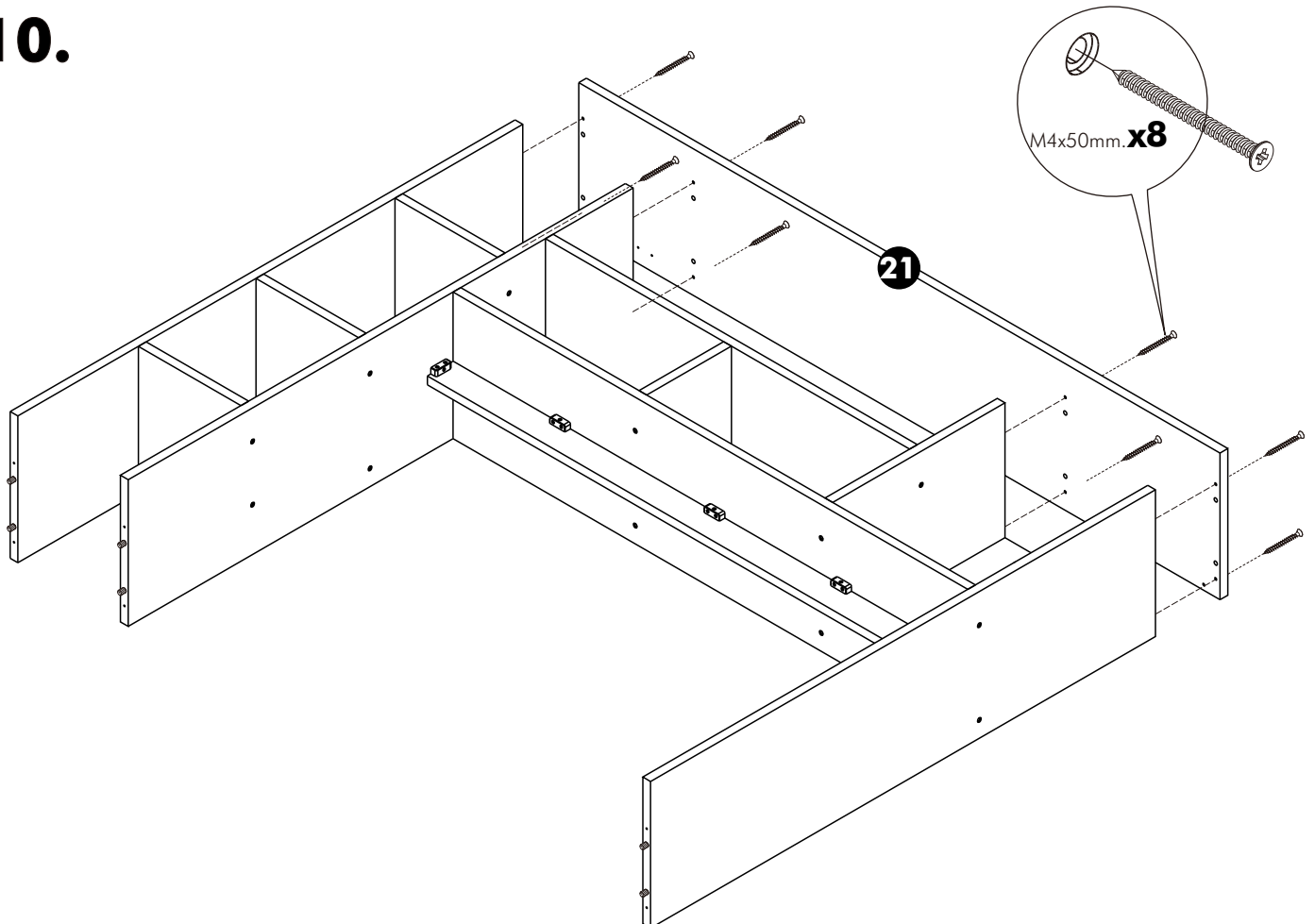
8.



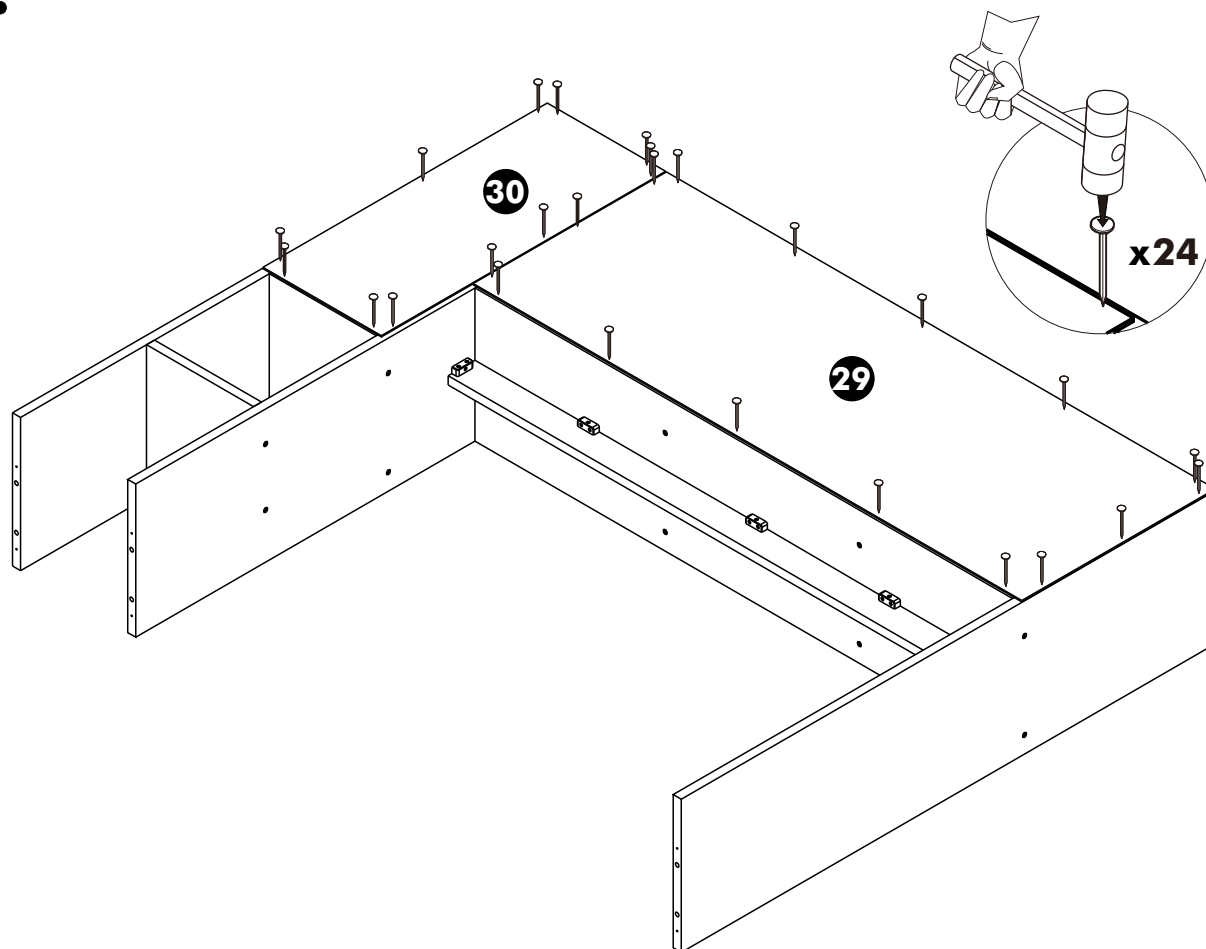
9.



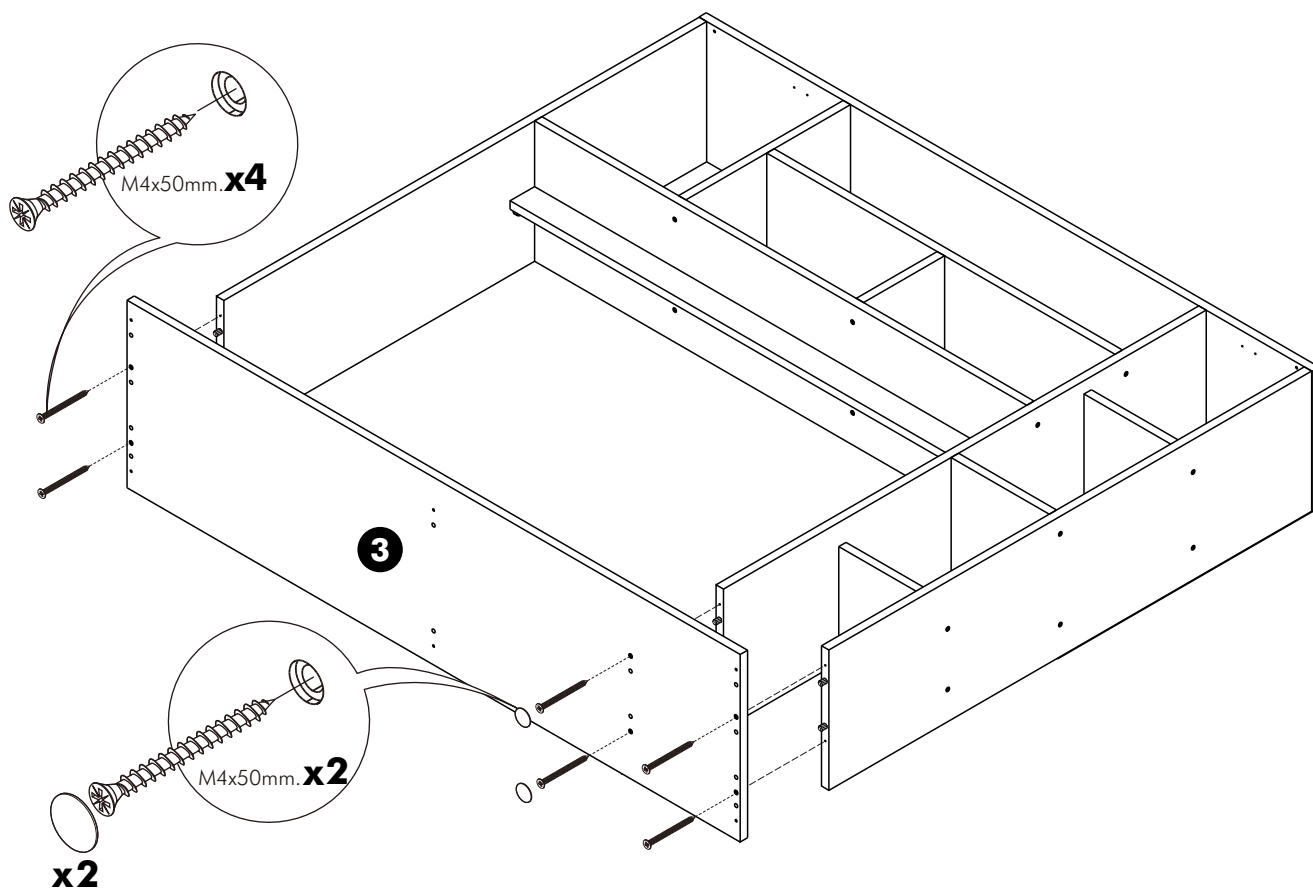
10.



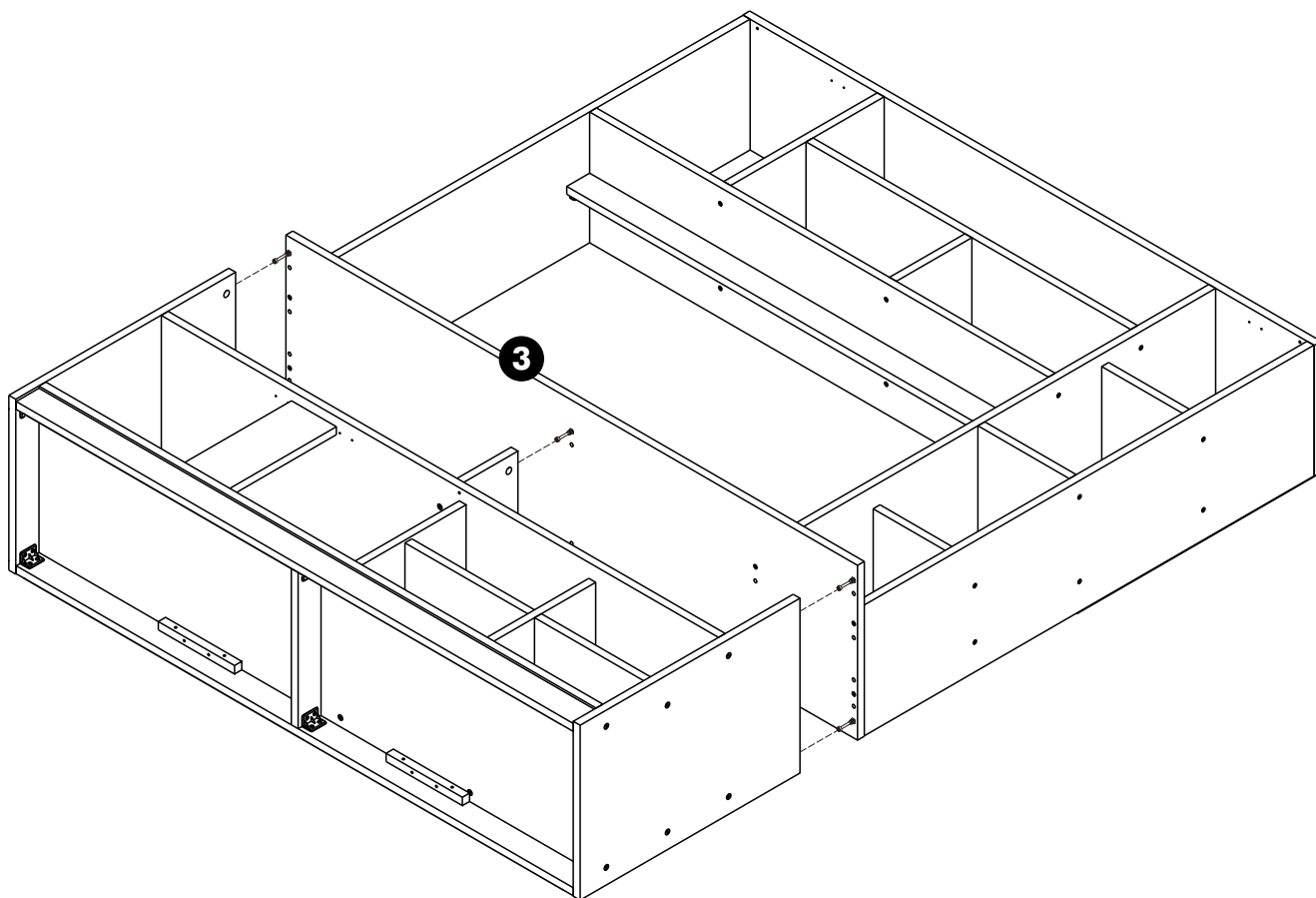
11.



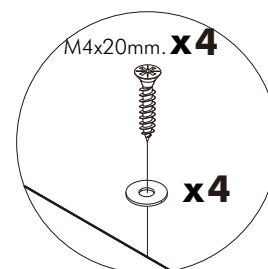
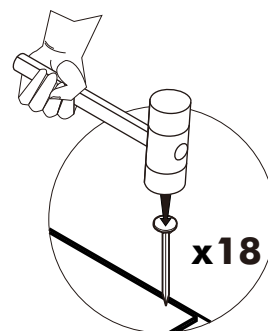
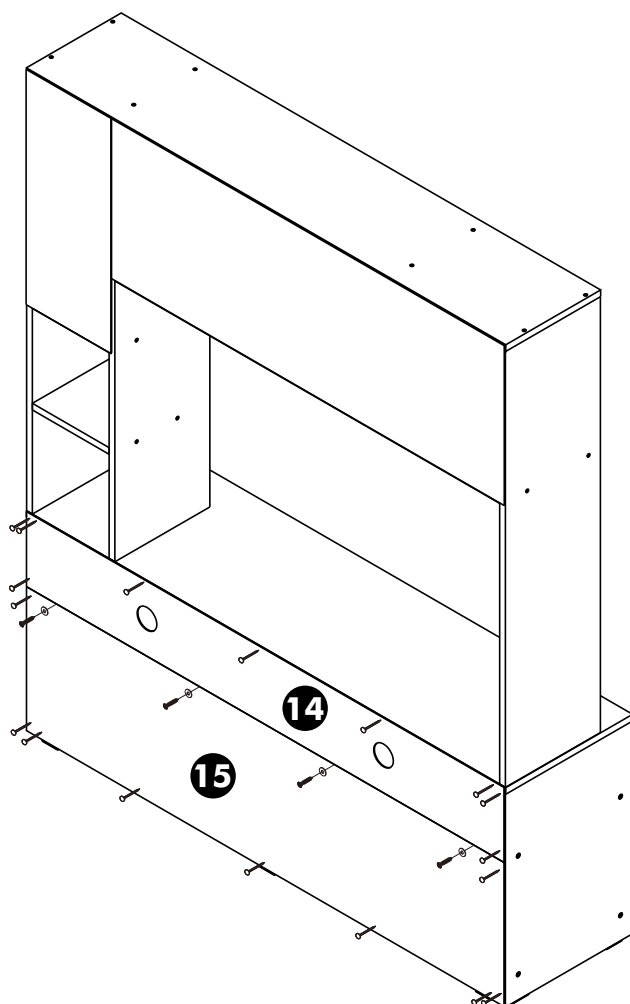
12.



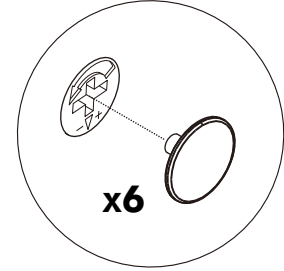
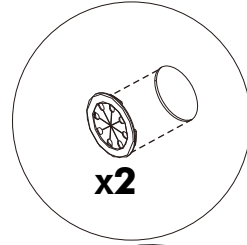
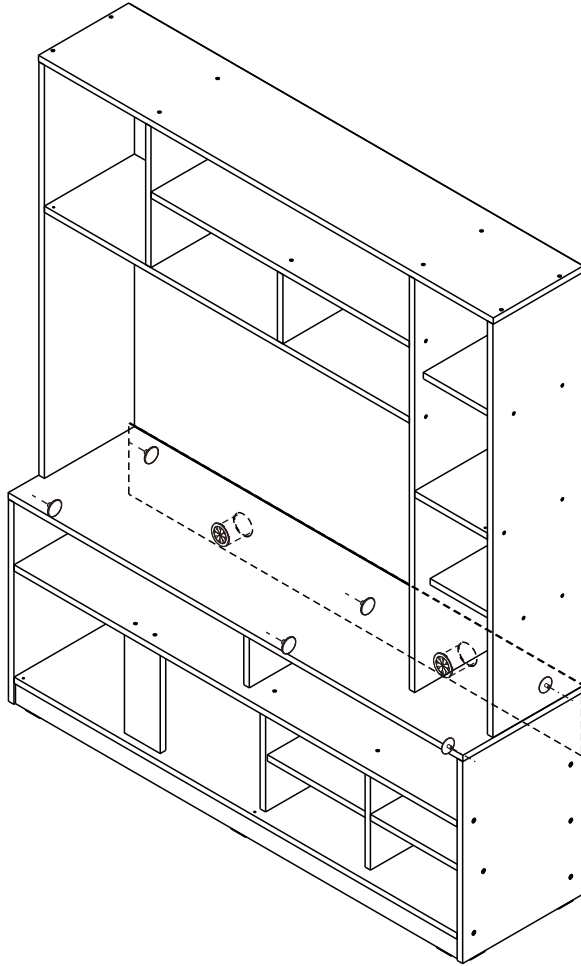
13.



14.



15.



16.

