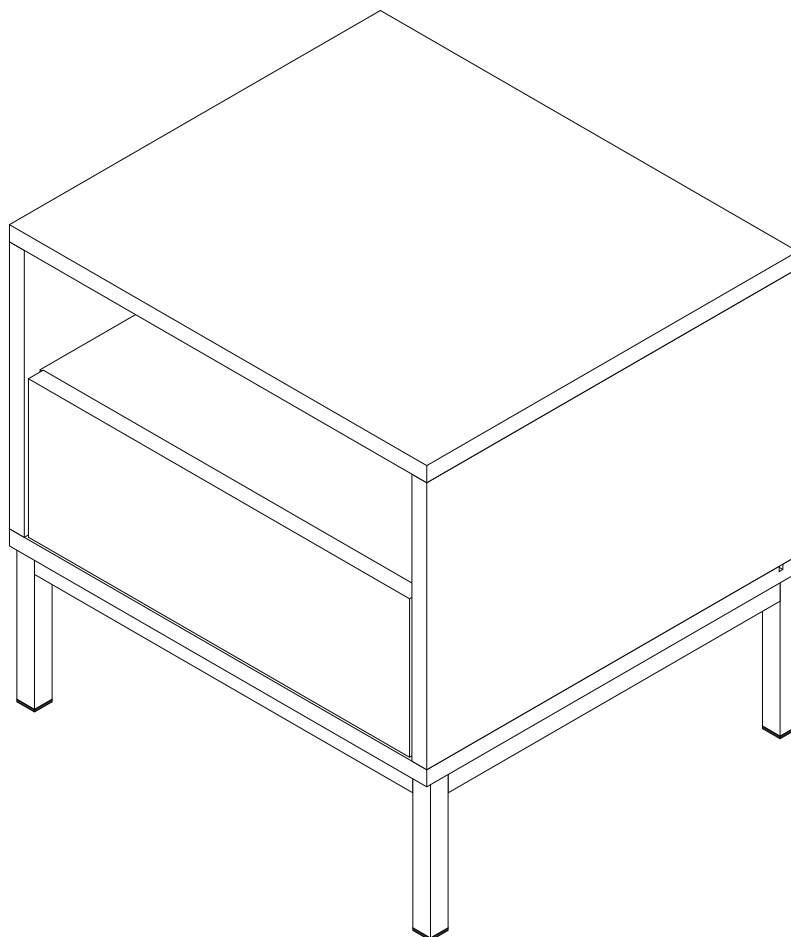
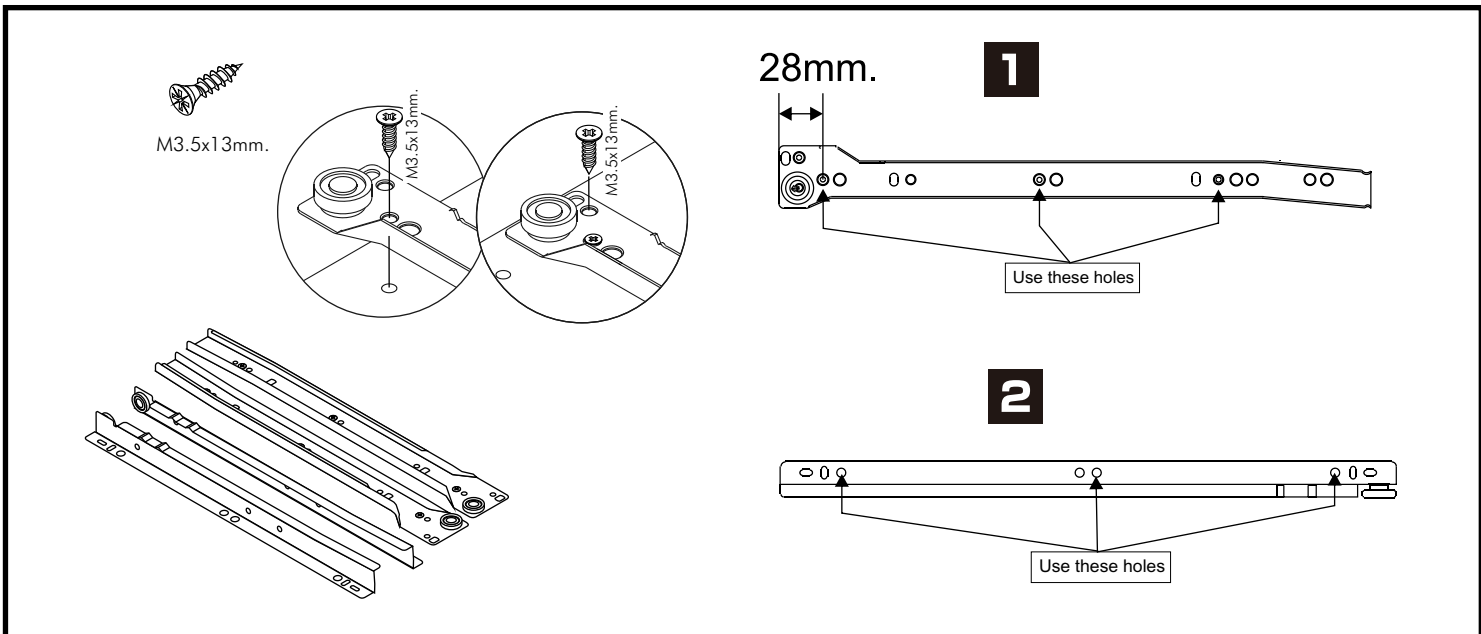
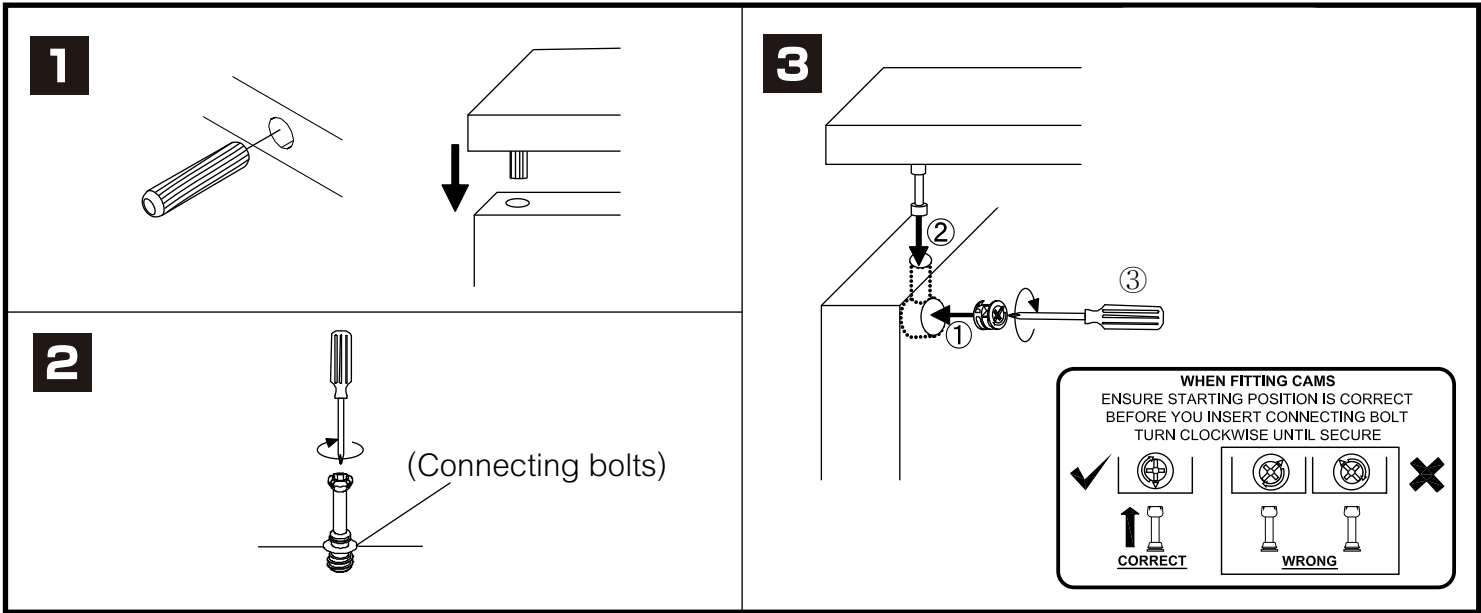


HARSH-P

Night table 1 drawer

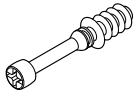


CONNECT SYSTEM



HARDWARE

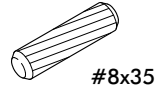
-BODY SET



x 8



x 8



x 12



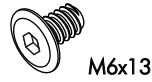
x 4



x 4



x 4



x 2



x 2

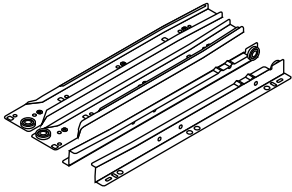


x 1



x 5

-DRAWER SET



x 1



x 2



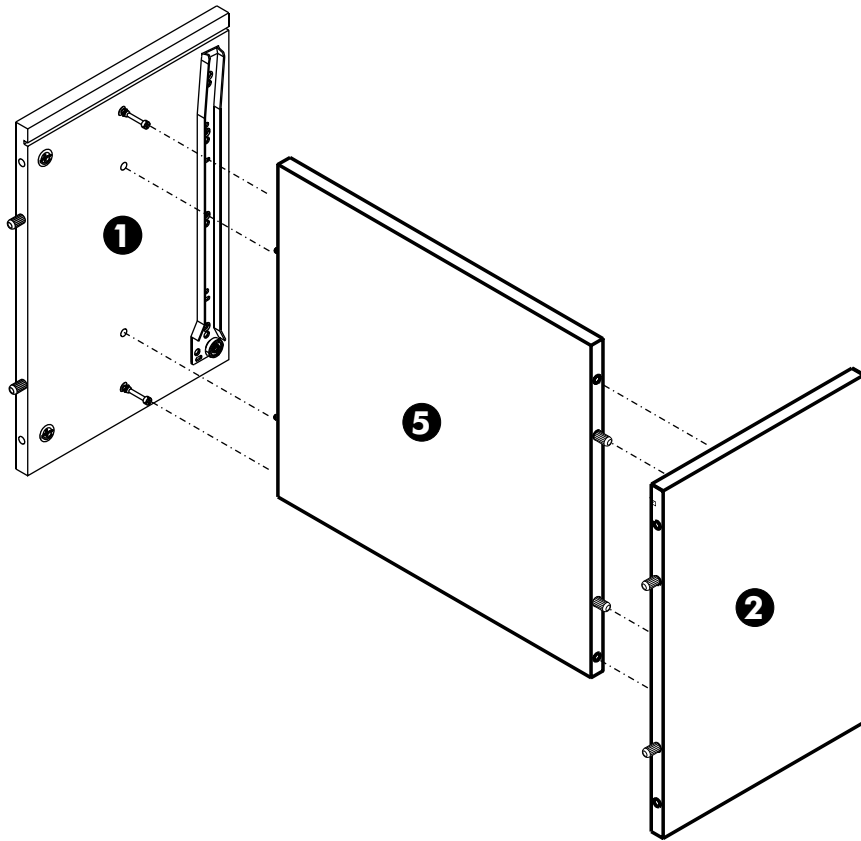
x 14



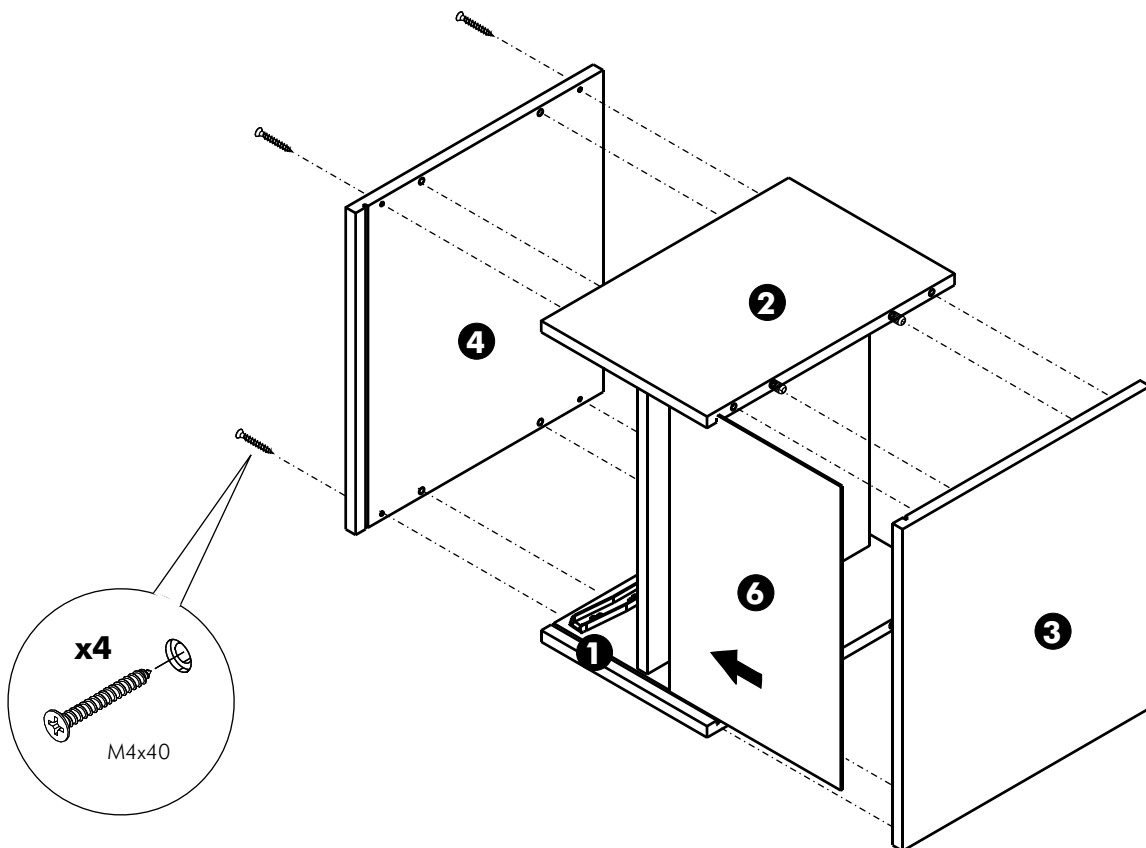
x 12

ASSEMBLY

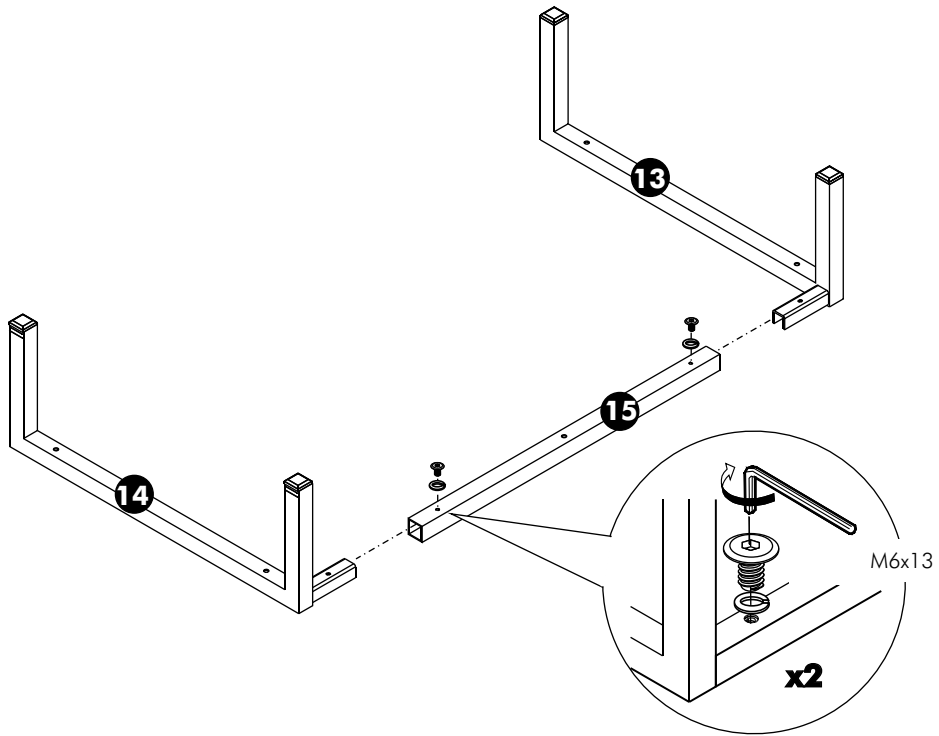
1.



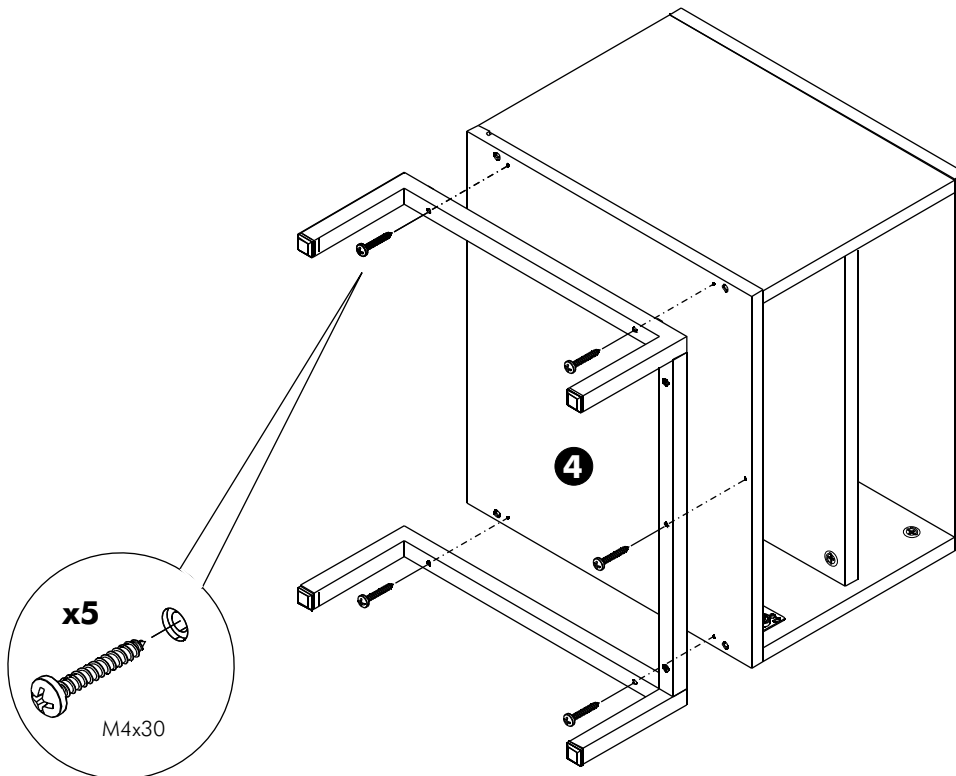
2.



3.



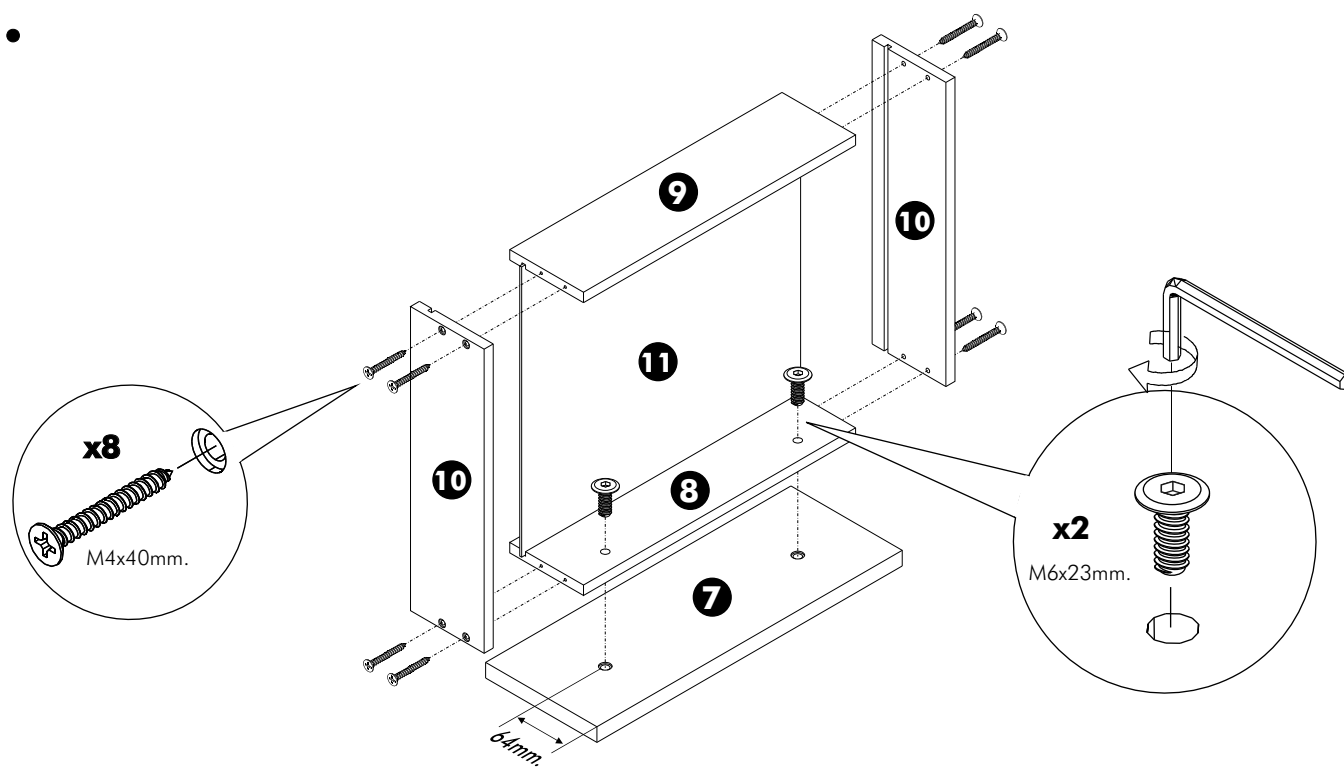
4.



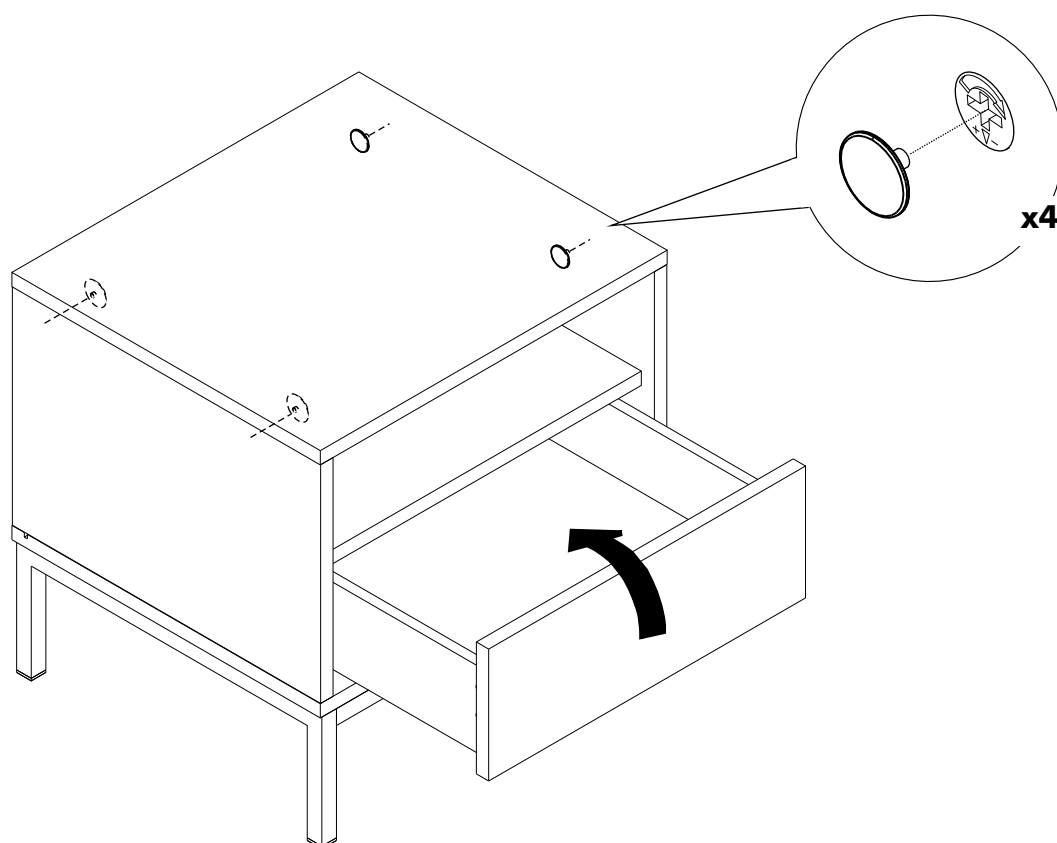
ASSEMBLY

-DRAWER SET

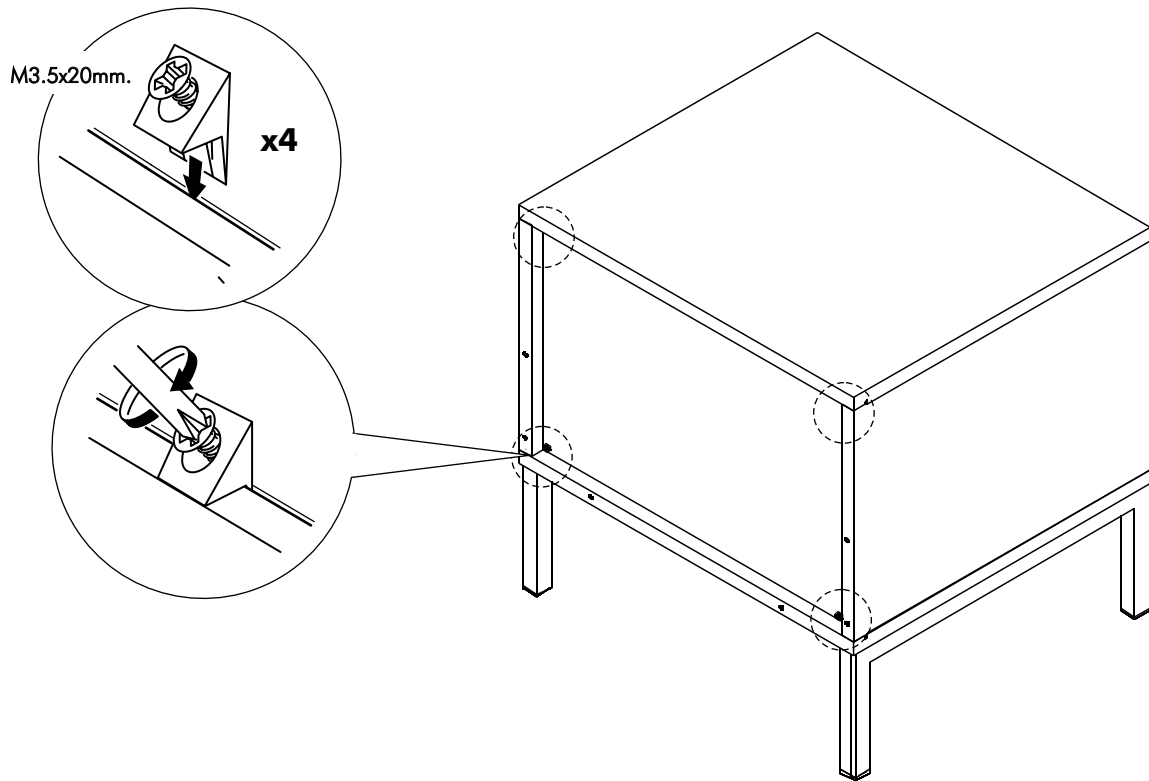
1.



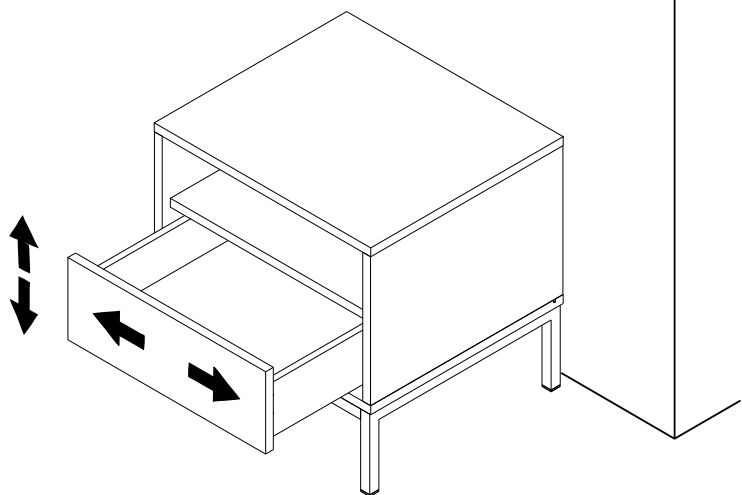
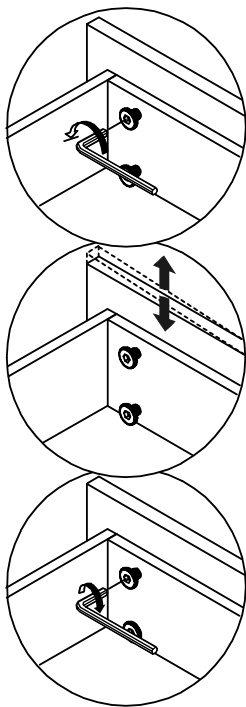
2.



3.



4.



AFTER FINISHED ASSEMBLY.

INCASE OF GAP BETWEEN DRAWERS ARE NOT ALIGN.
PLEASE ADJUST AS BELOW.

1. LOOSE SCREW A LITTLE BIT.
2. THEN MOVE FRONT DRAWER TO ALINGMENT POSITION.
3. TIGHTEN SCREW.