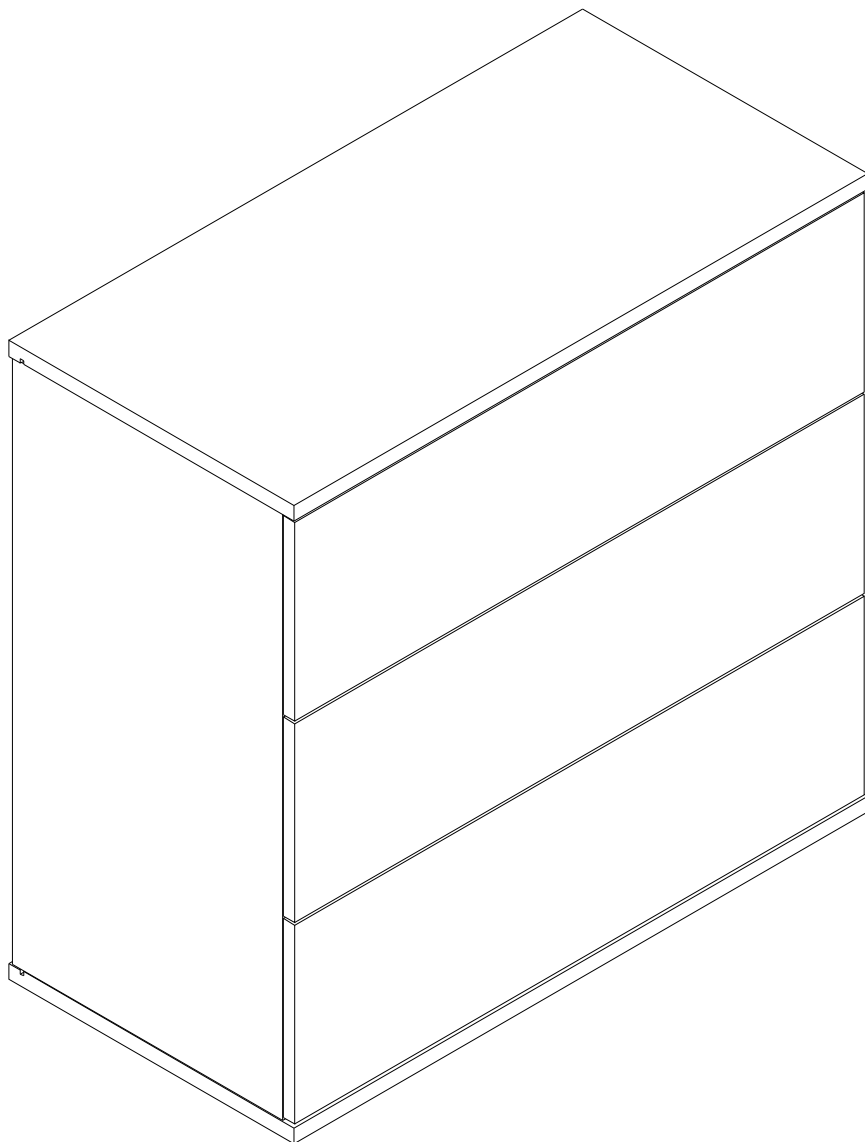
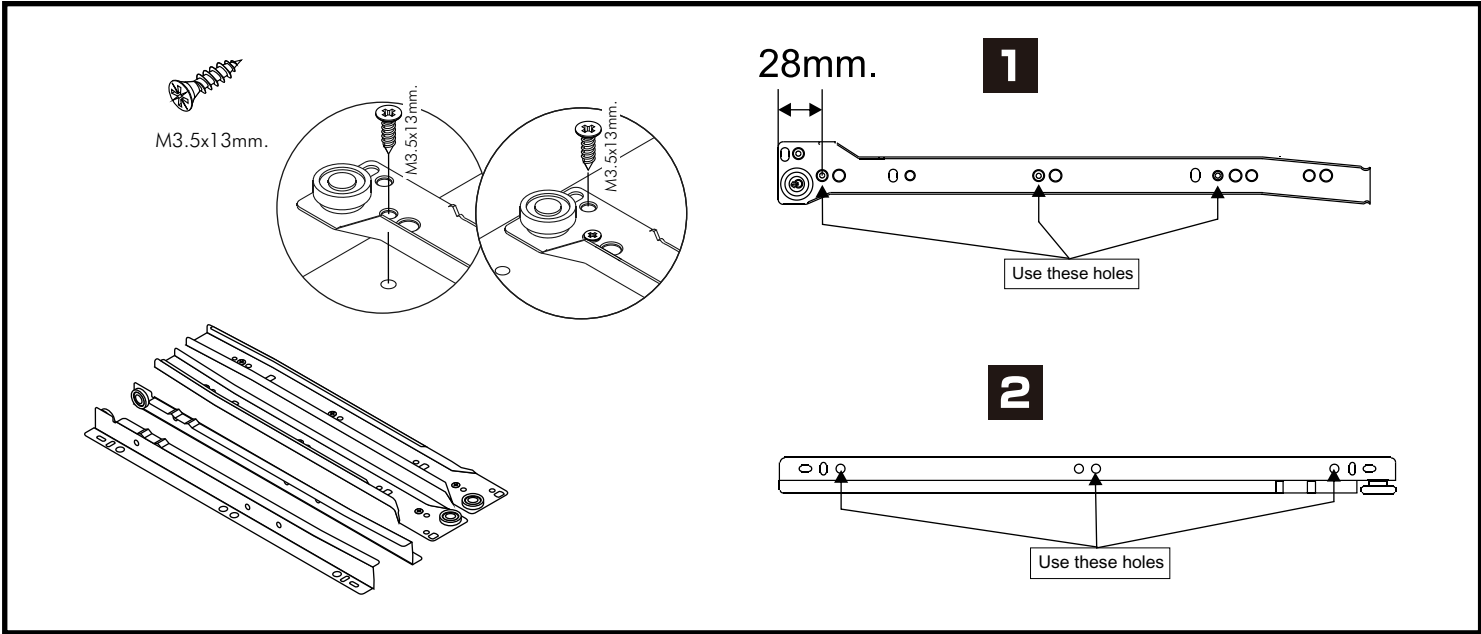


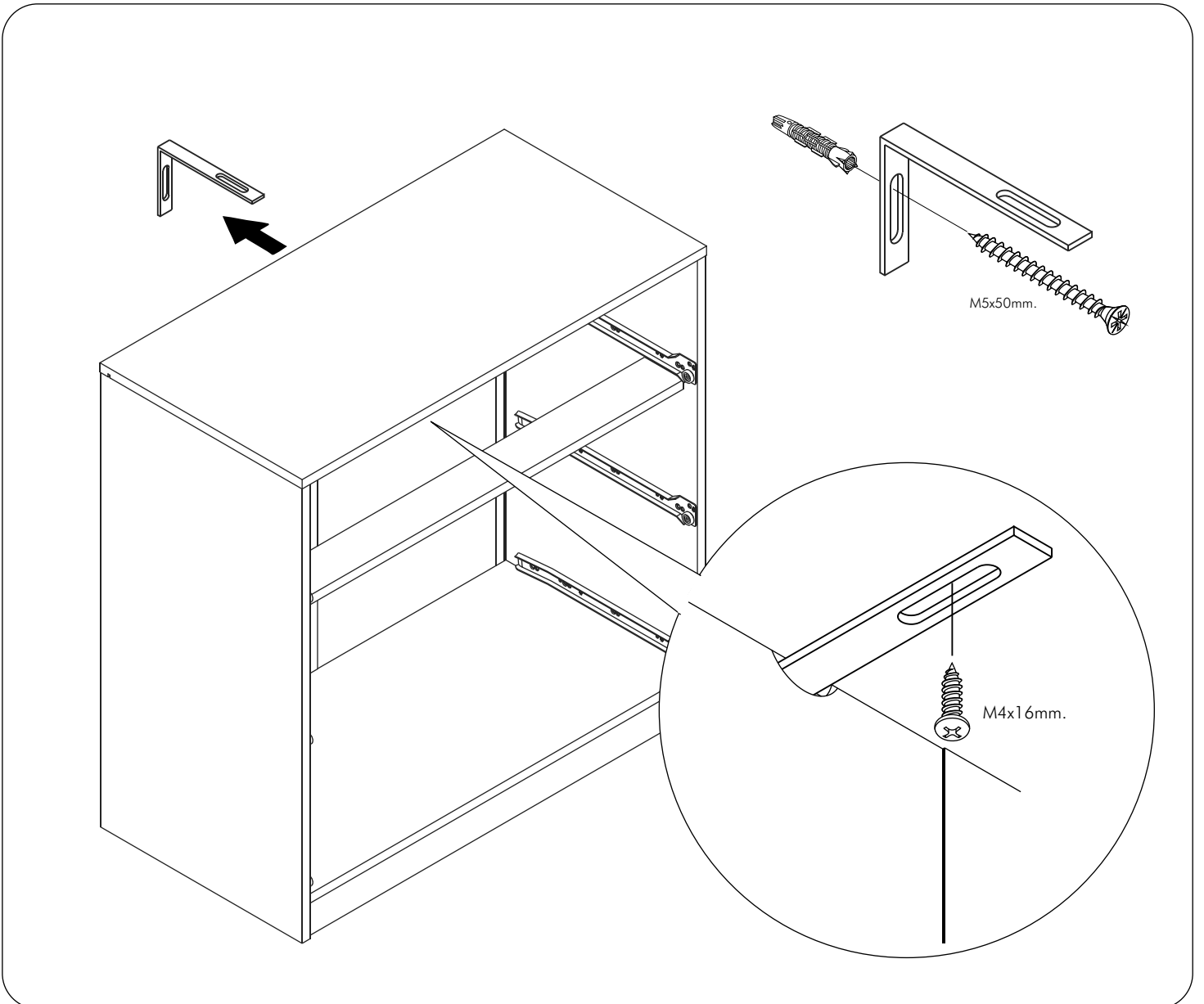
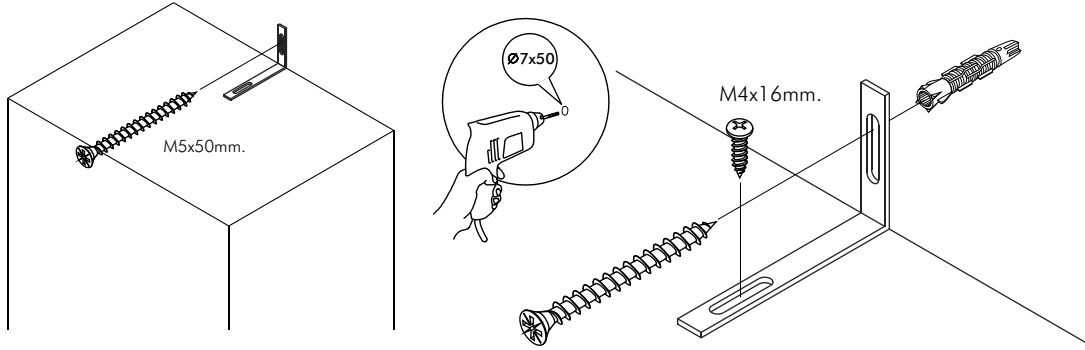
# STACKO-P

**Cabinet 3 drawers**



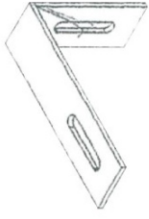
# CONNECT SYSTEM



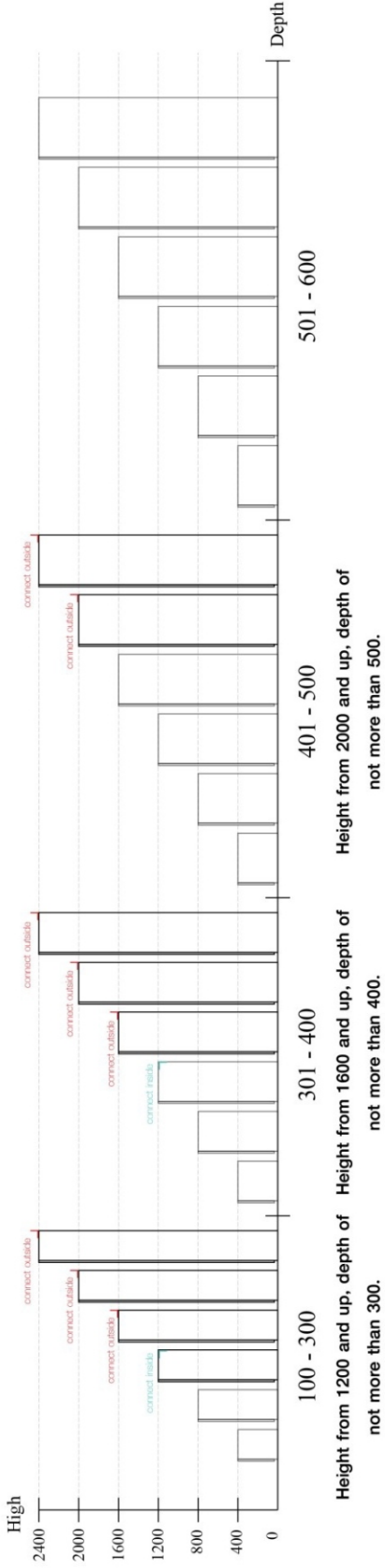


**The Standard for identifying which mounted safety fall protection fitting to use** **Note : That children's products must be installed with all anti-falling fittings.**

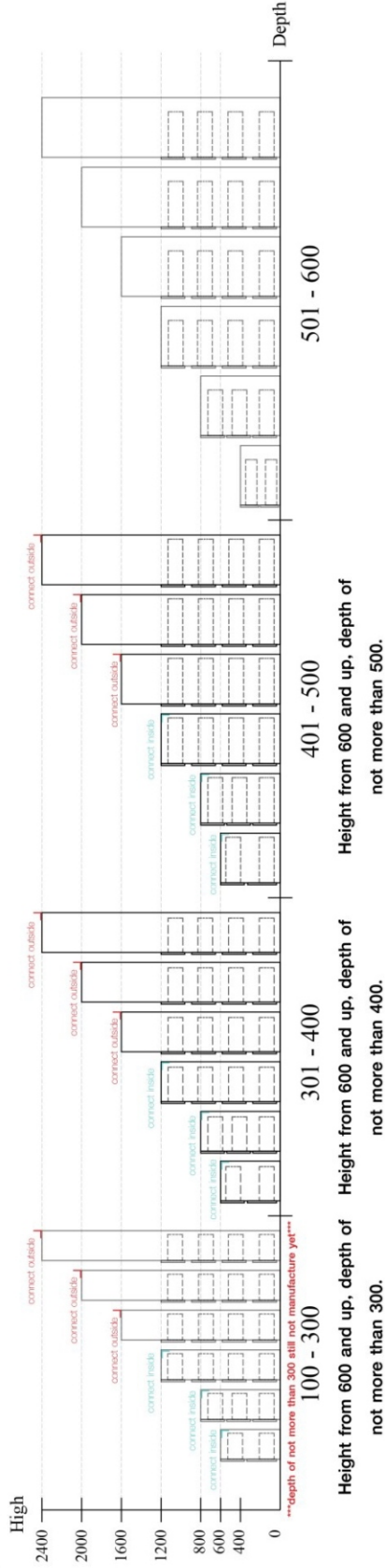
■ Mounted fall protection fittings



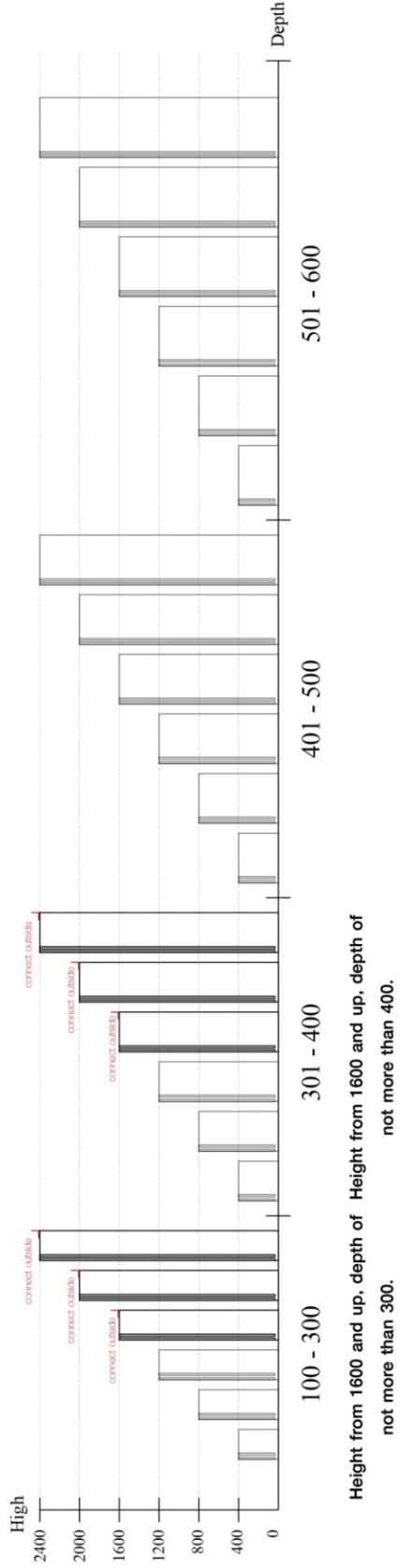
■ Category : Cabinet with open doors



■ Category : Chest of drawers

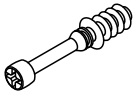


■ Category : Sliding door cabinet / Open cabinet



# HARDWARE

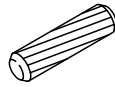
## -BODY SET



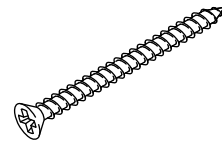
**x 8**



**x 8**



**x 22**



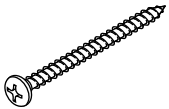
M4x50mm.

**x 4**



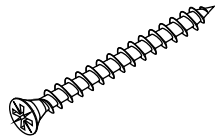
M3.5x13mm.

**x 3**



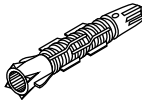
M4x45mm.

**x 3**

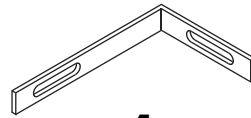


M5x50mm.

**x 1**



**x 1**



**x 1**



M4x16mm.

**x 1**

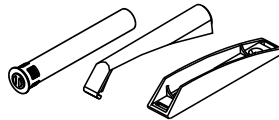


M4x20mm.

**x 4**



**x 4**



**x 3**



**x 3**



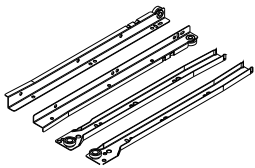
M4x1/2"

**x 9**



**x 6**

## -DRAWER SET

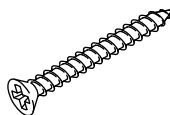


**x 3**



M3.5x13mm.

**x 24**



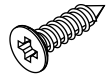
M4x40mm.

**x 36**



M6x23mm.

**x 18**



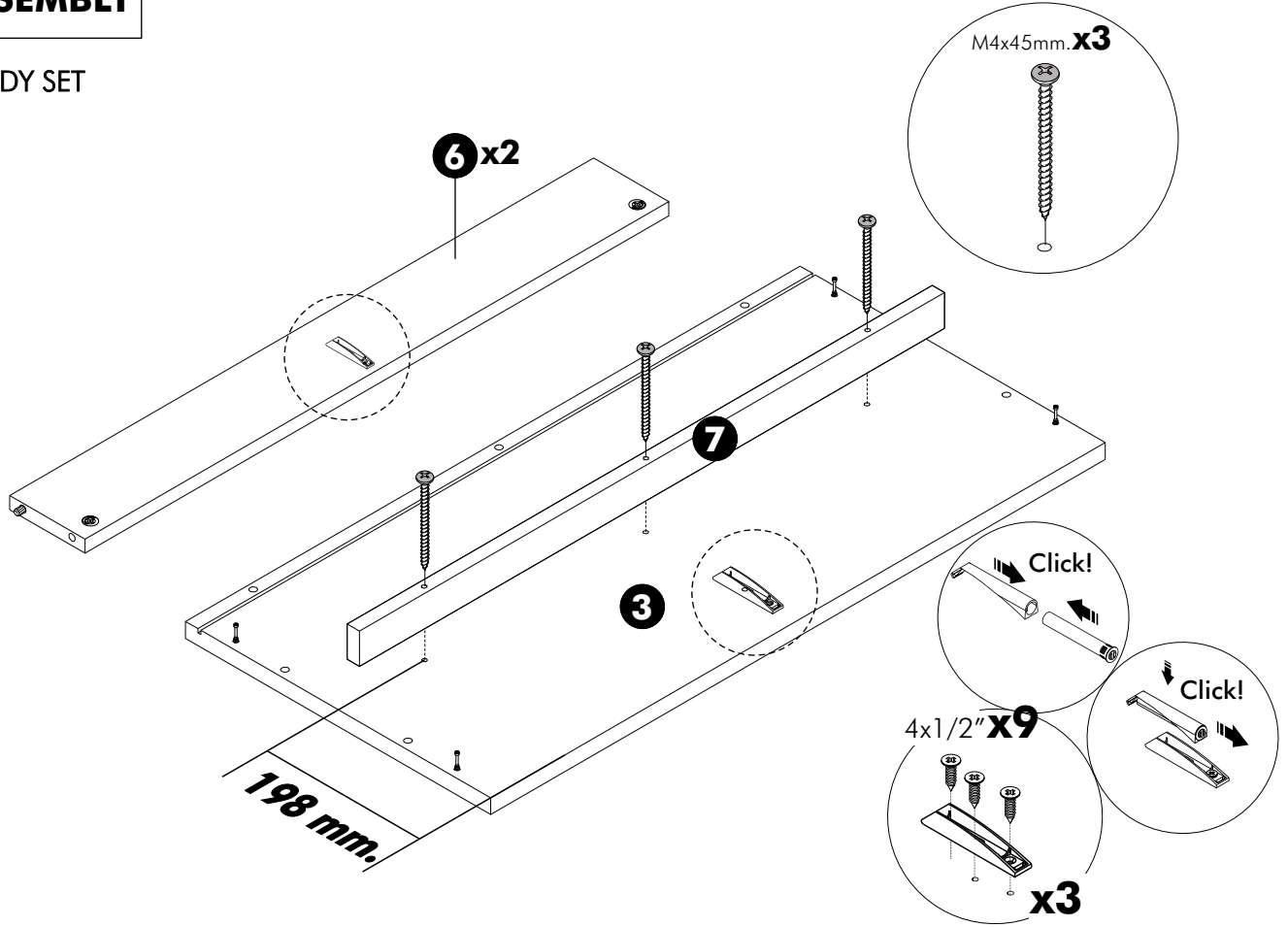
M4x16mm.

**x 18**

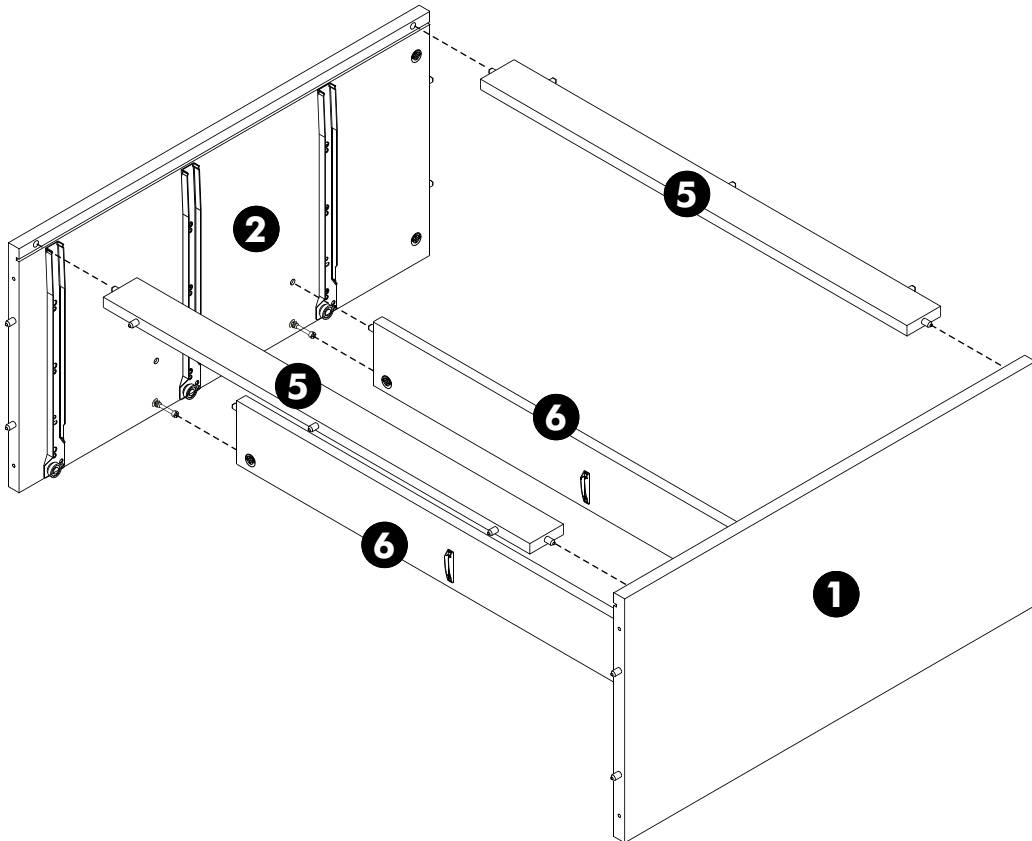
# ASSEMBLY

-BODY SET

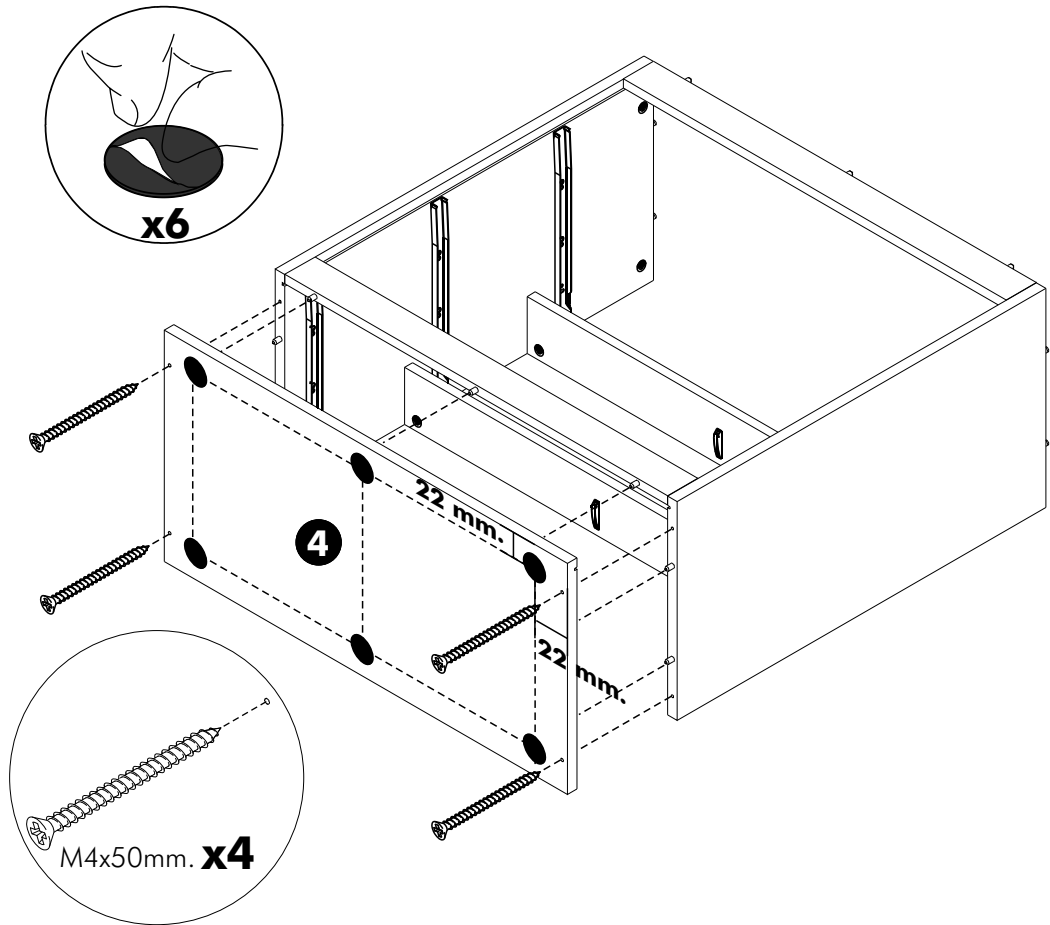
**1.**



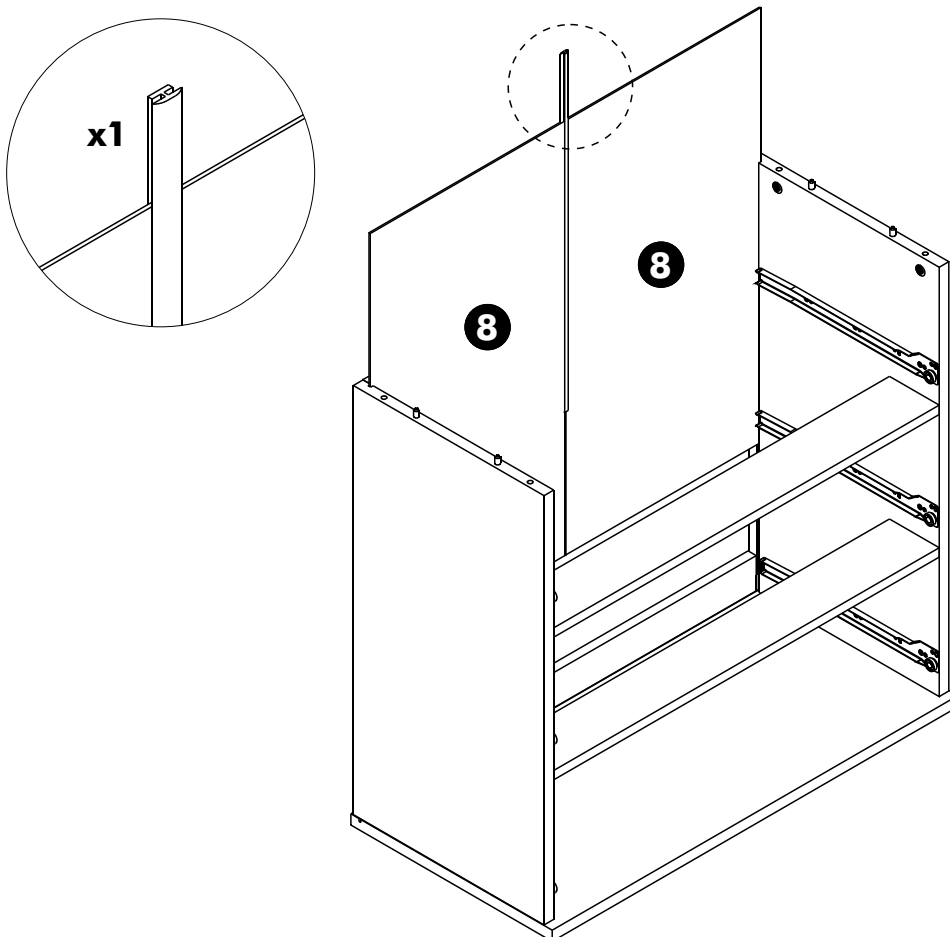
**2.**



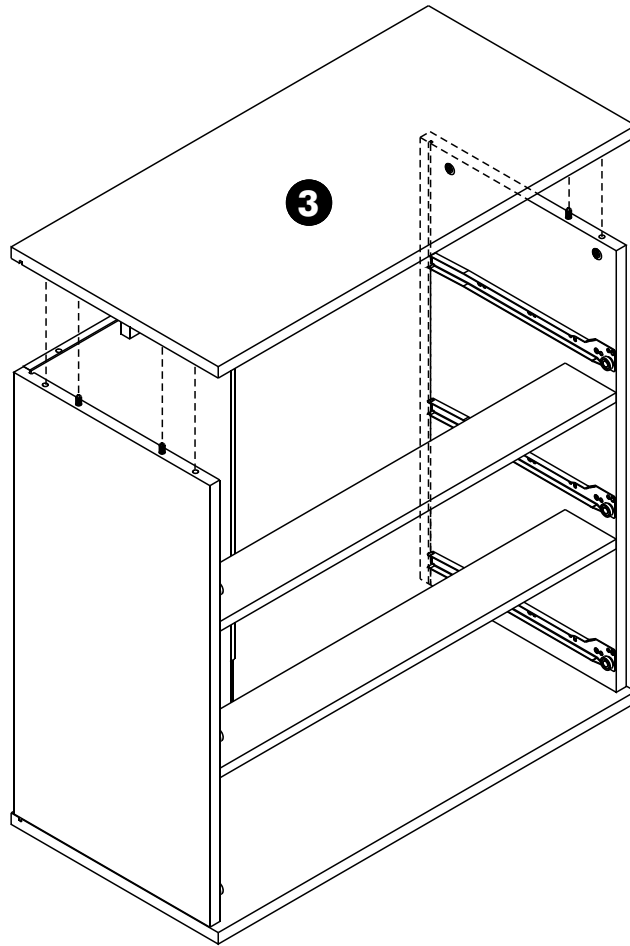
**3.**



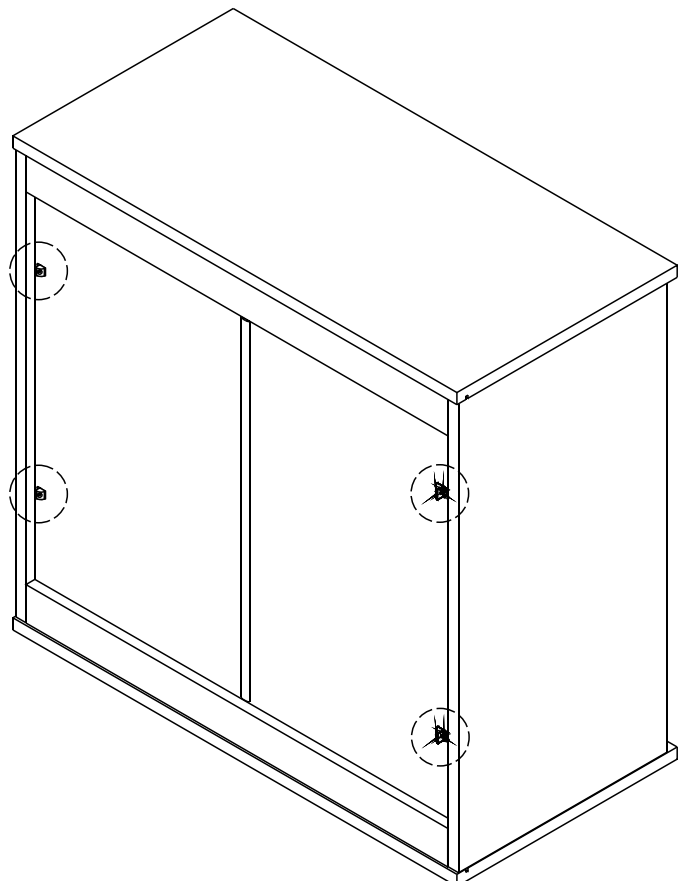
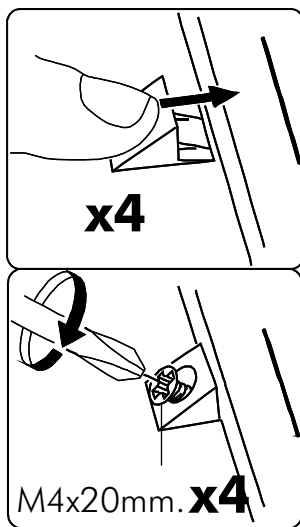
**4.**



5.



6.

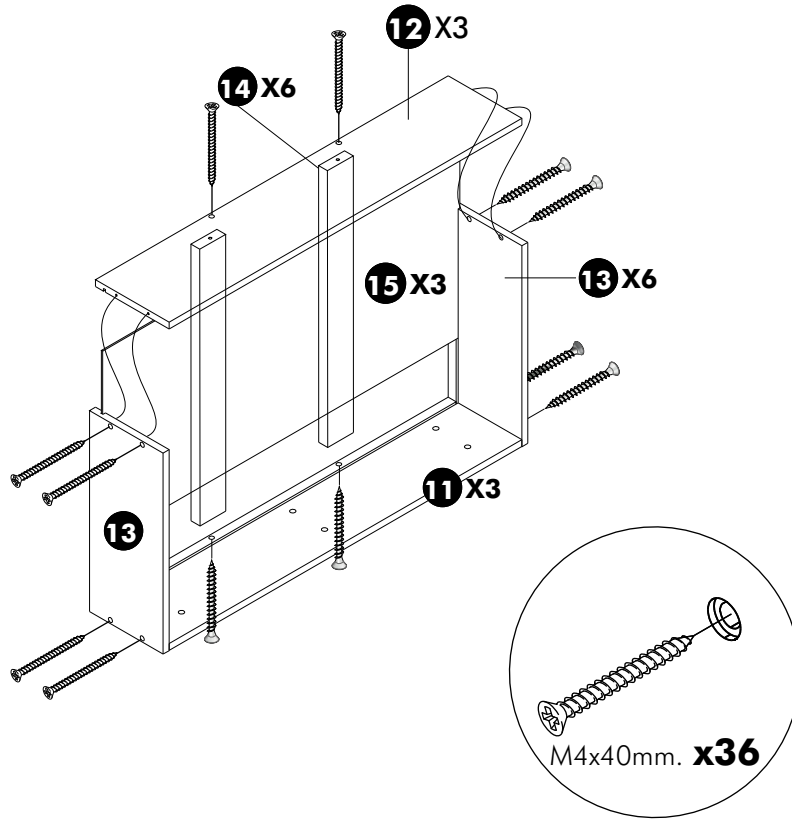


**ASSEMBLY**

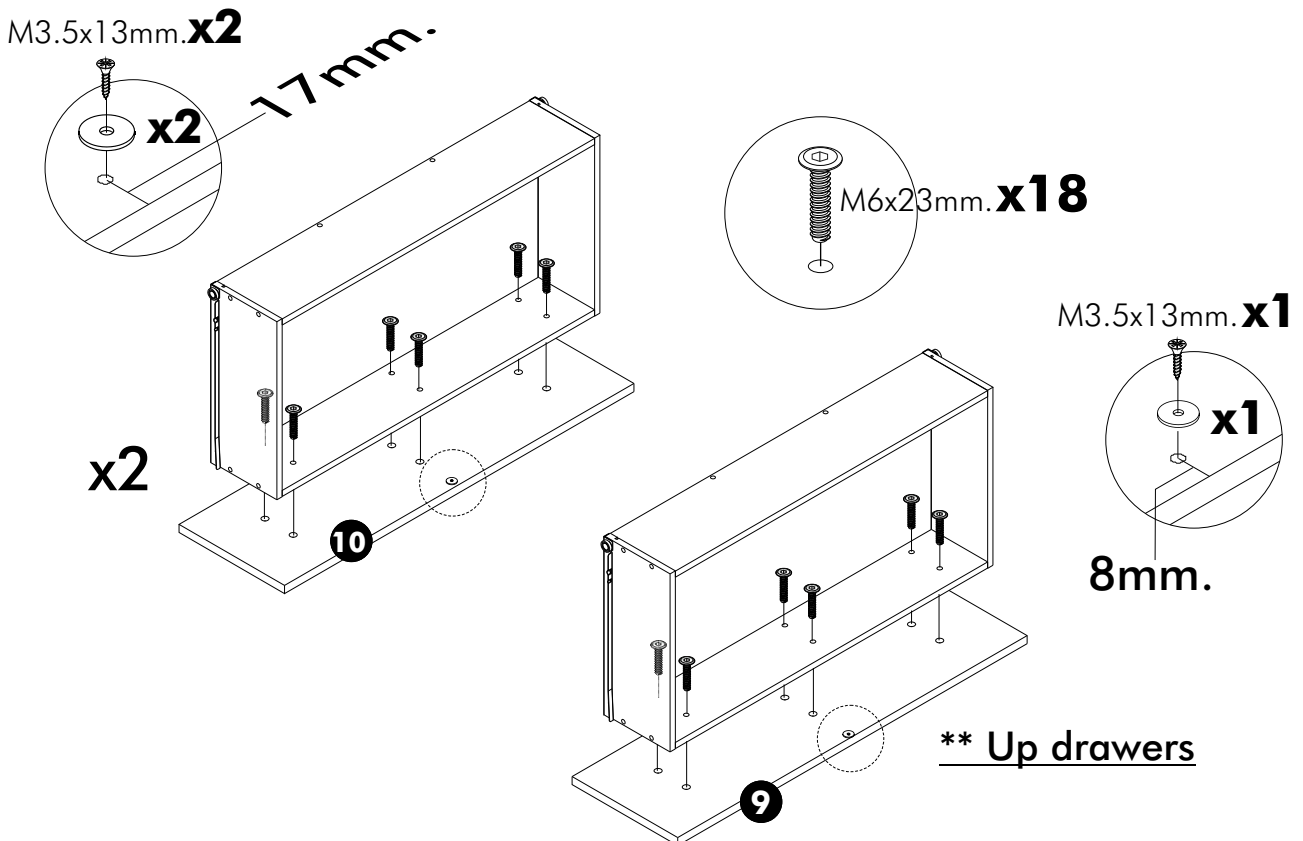
-DRAWER SET

**3 SET**

**7.**



**8.**



9.

