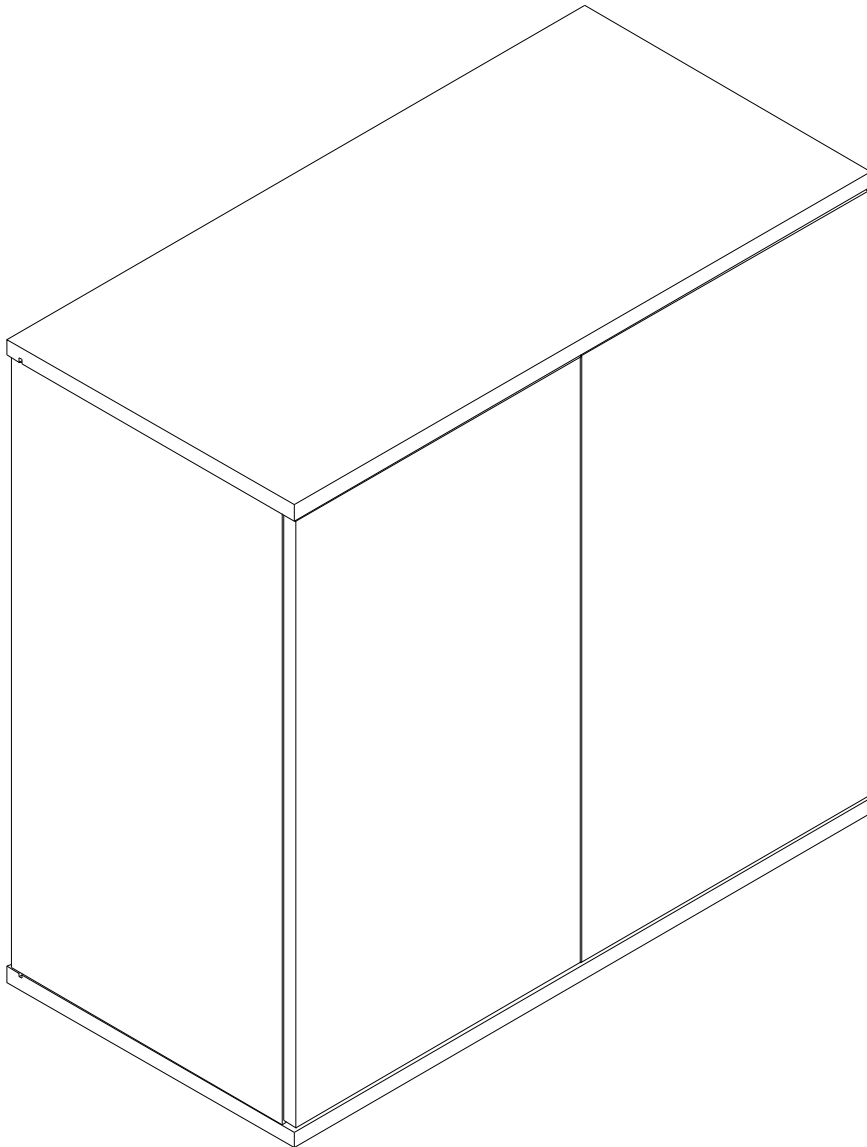
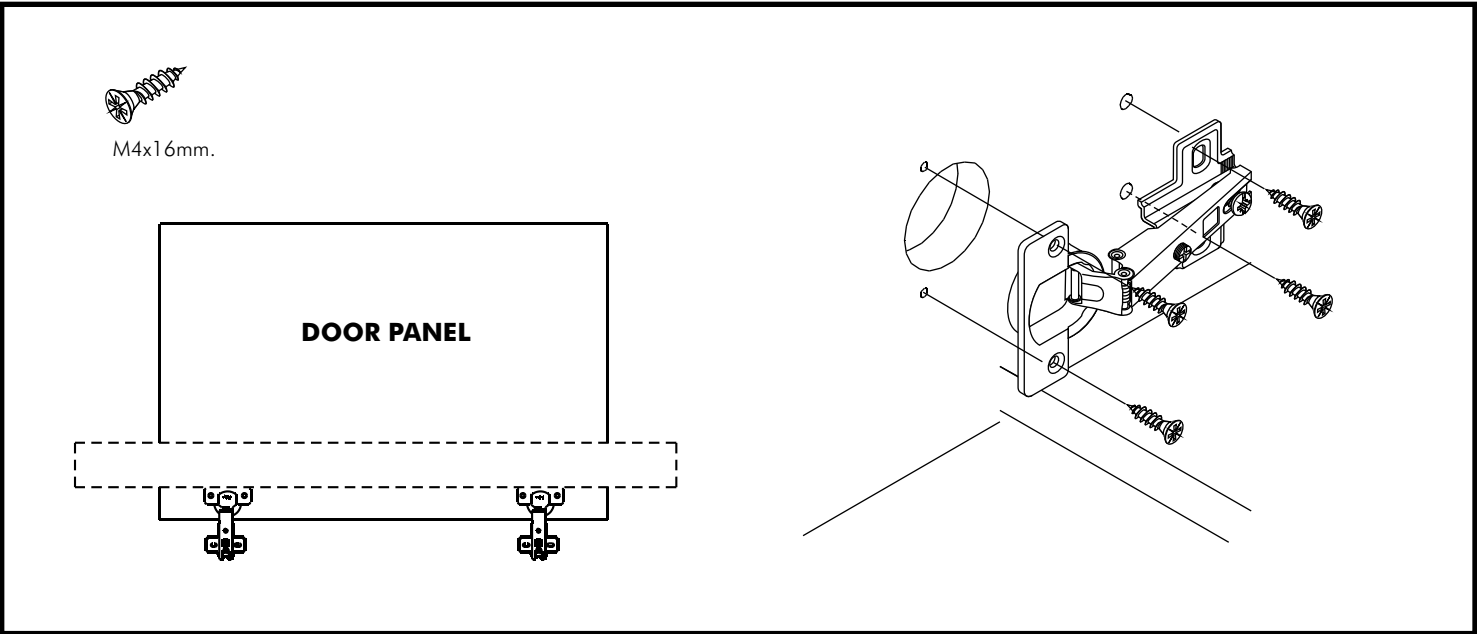
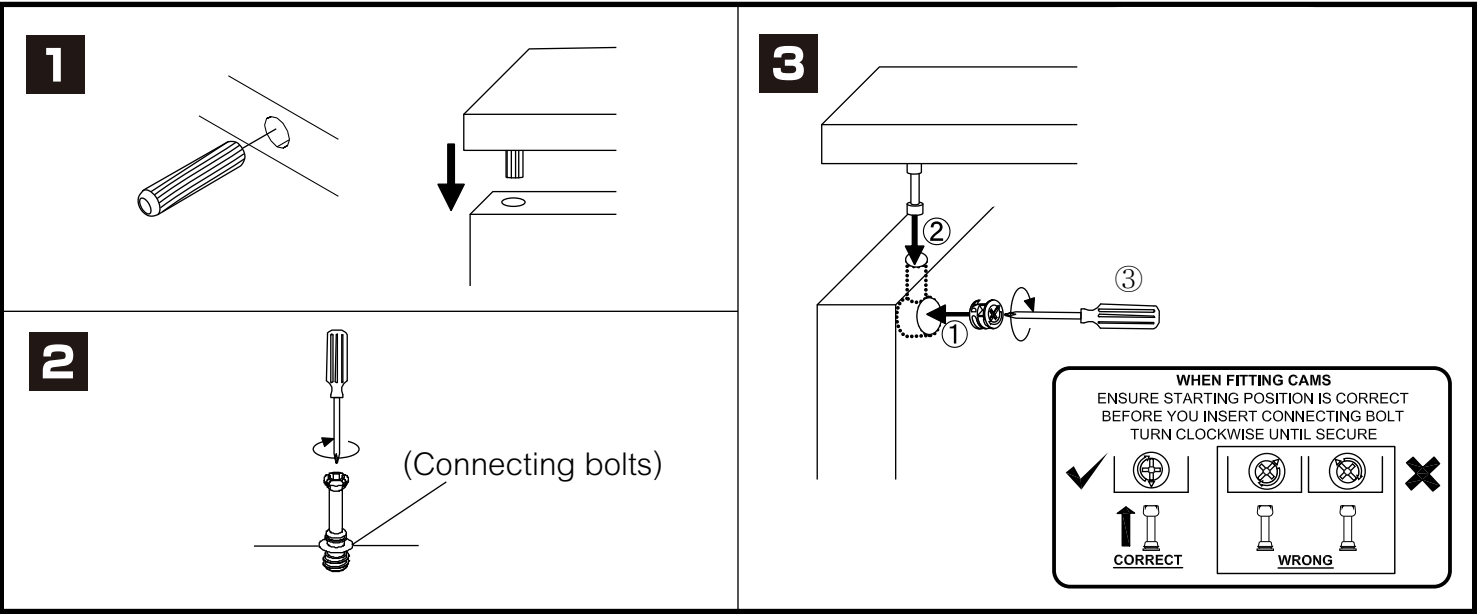


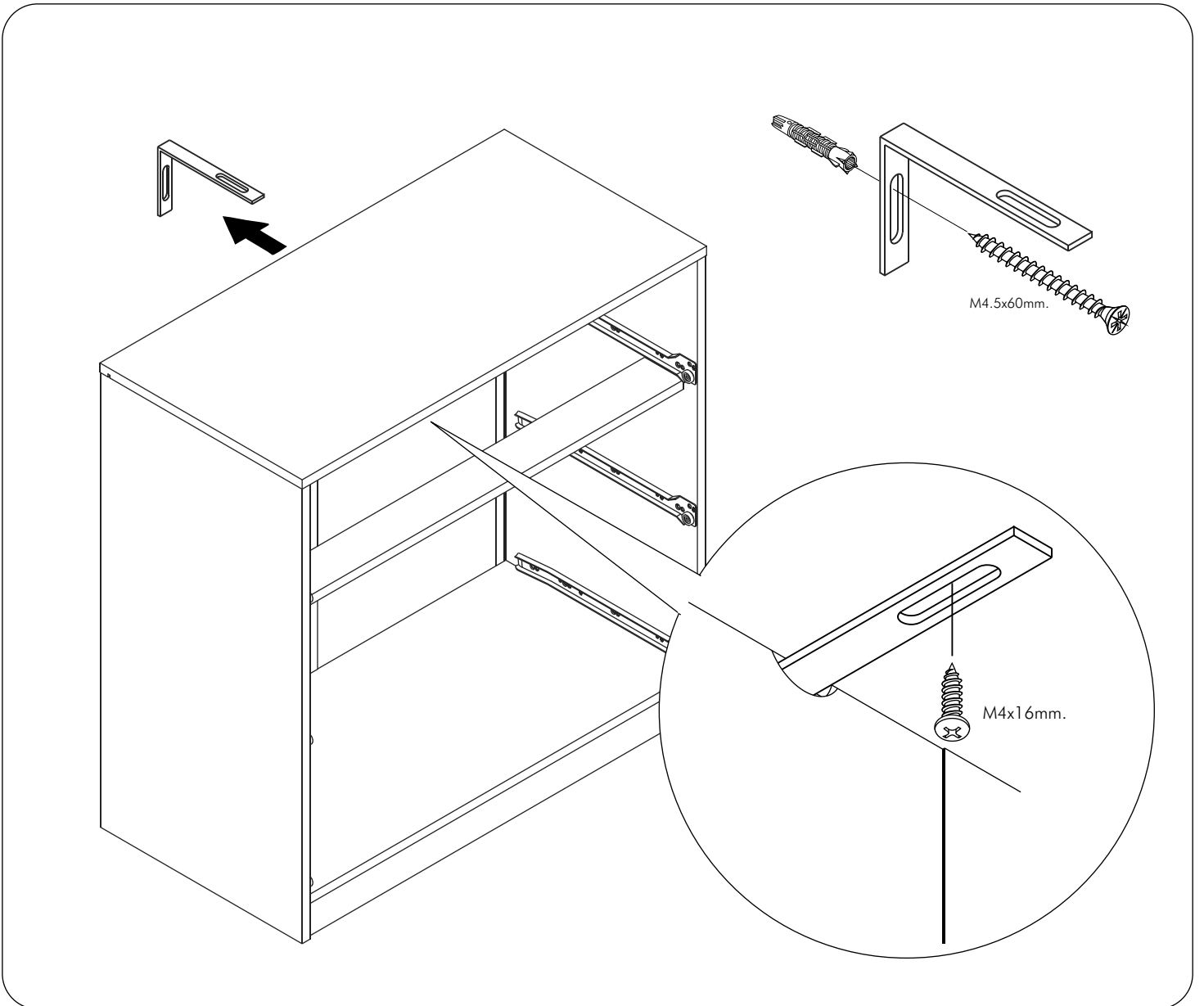
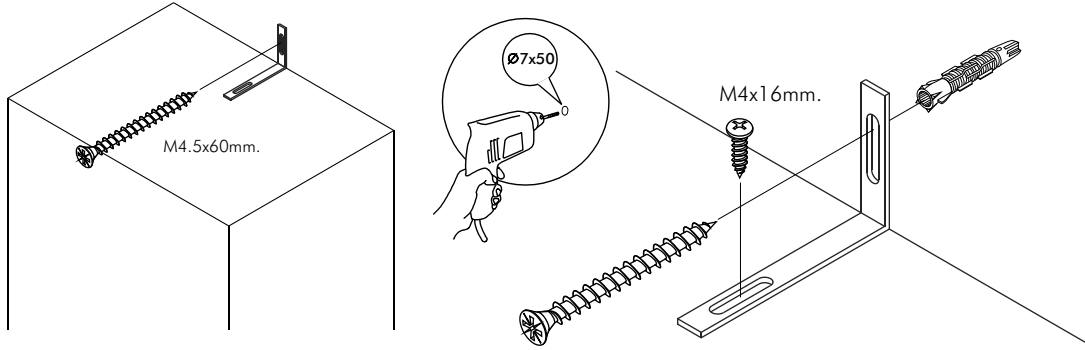
STACKO-P

Low cabinet



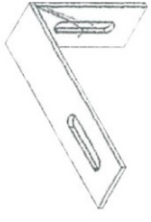
CONNECT SYSTEM



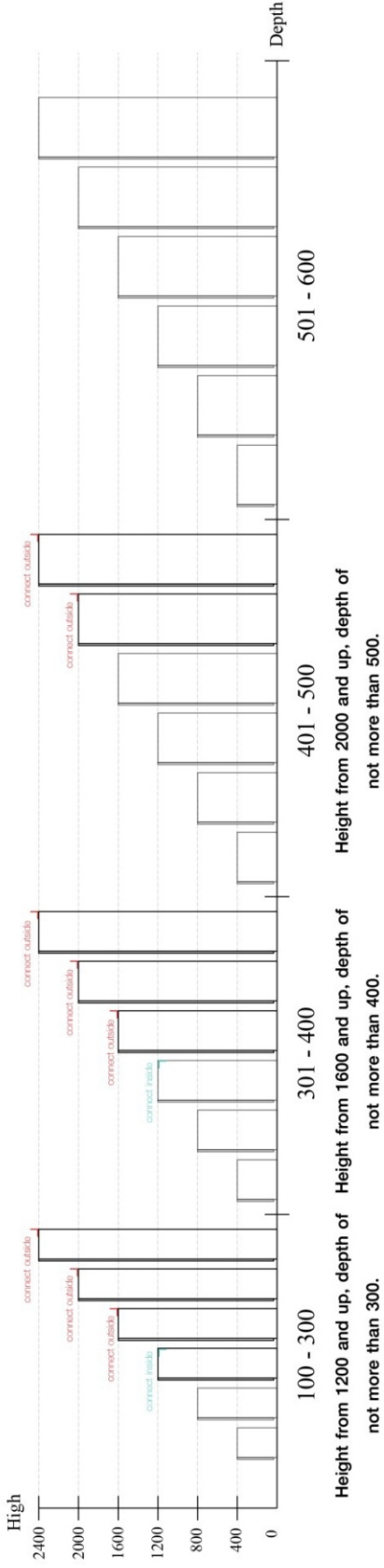


The Standard for identifying which mounted safety fall protection fitting to use **Note : That children's products must be installed with all anti-falling fittings.**

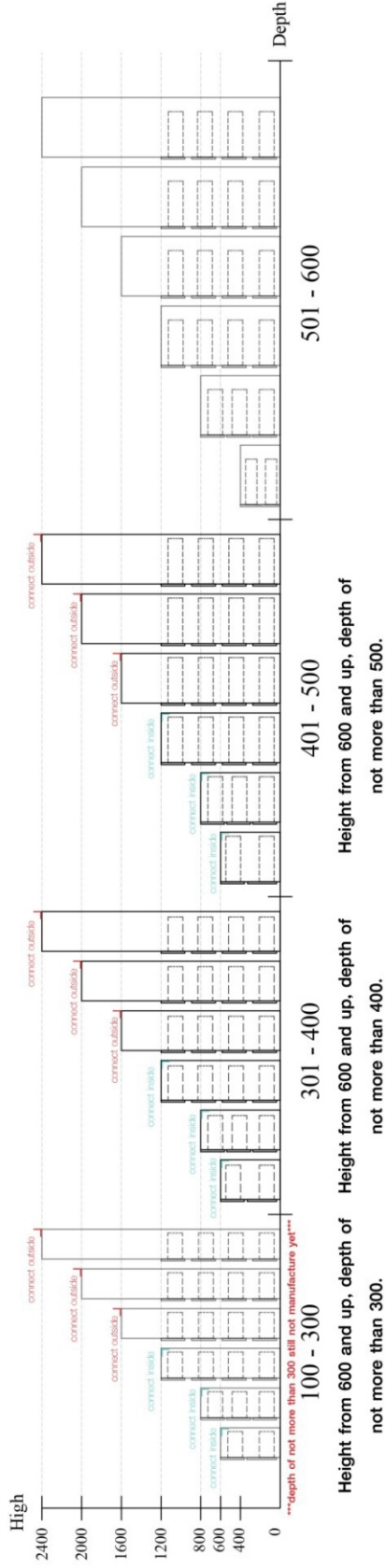
■ Mounted fall protection fittings



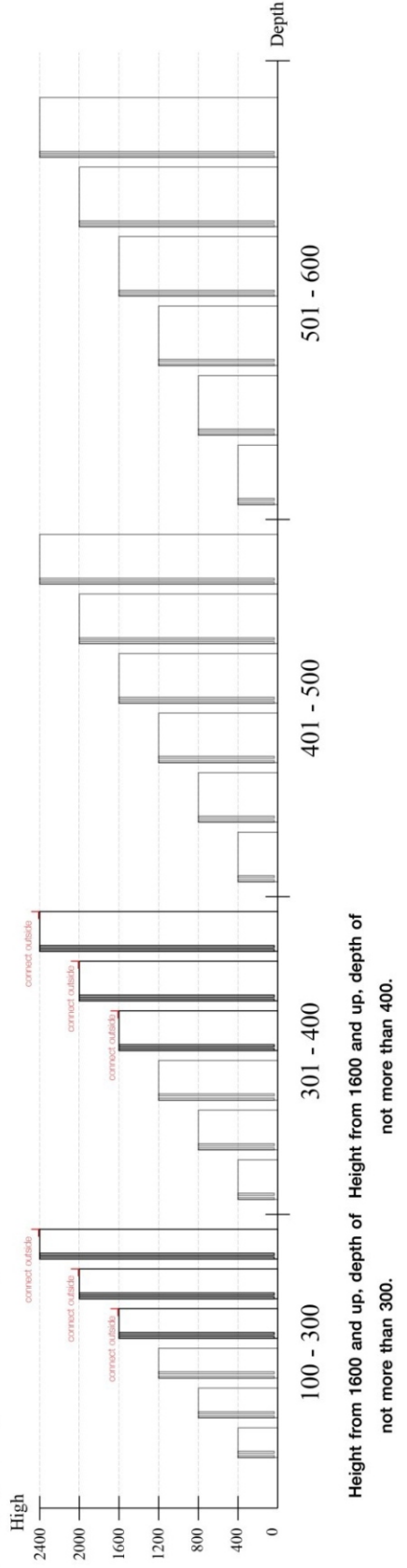
■ Category : Cabinet with open doors



■ Category : Chest of drawers



■ Category : Sliding door cabinet / Open cabinet



HARDWARE

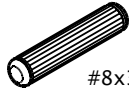


X4



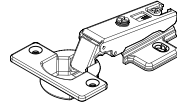
19mm.

X4



#8x35mm.

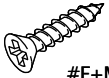
X18



X4



X1



#F+M4x16

X16

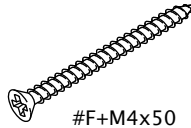


X1



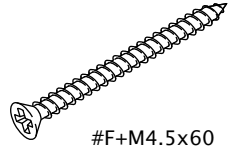
#P+6x1/2"

X1



#F+M4x50

X4

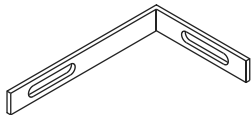


#F+M4.5x60

X1



X1



X1

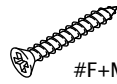


#P+7x5/8"

X1



X4

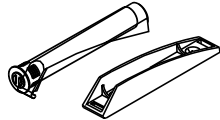


#F+M4x20

X4



X4



X1



#73.1 cm.

X1



X1



#F+4x1/2"

X3



#F+3.5x13

X1



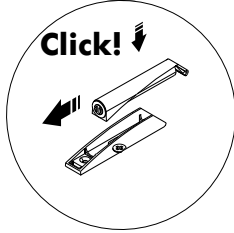
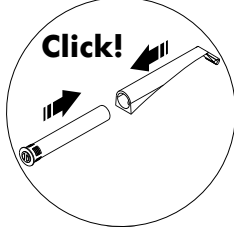
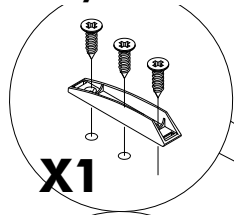
X6



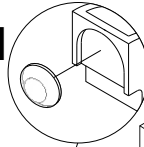
X4

1.

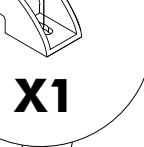
4x1/2" ..x3



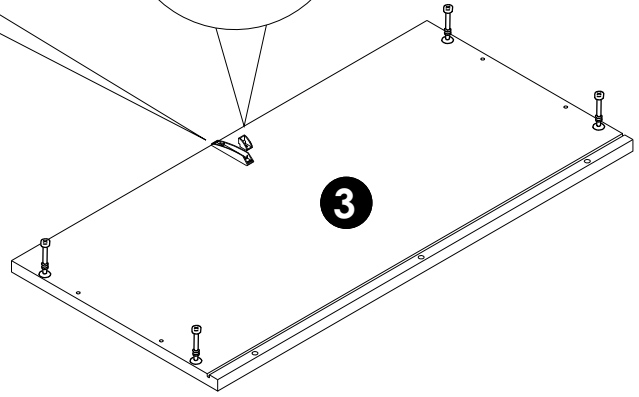
X1



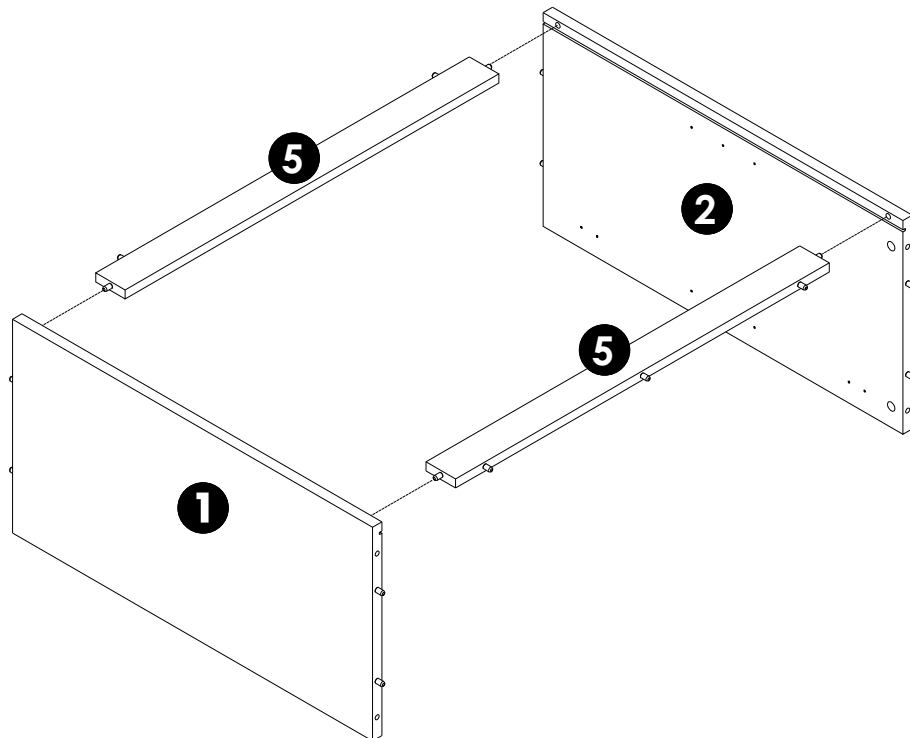
6x1/2" ..x1



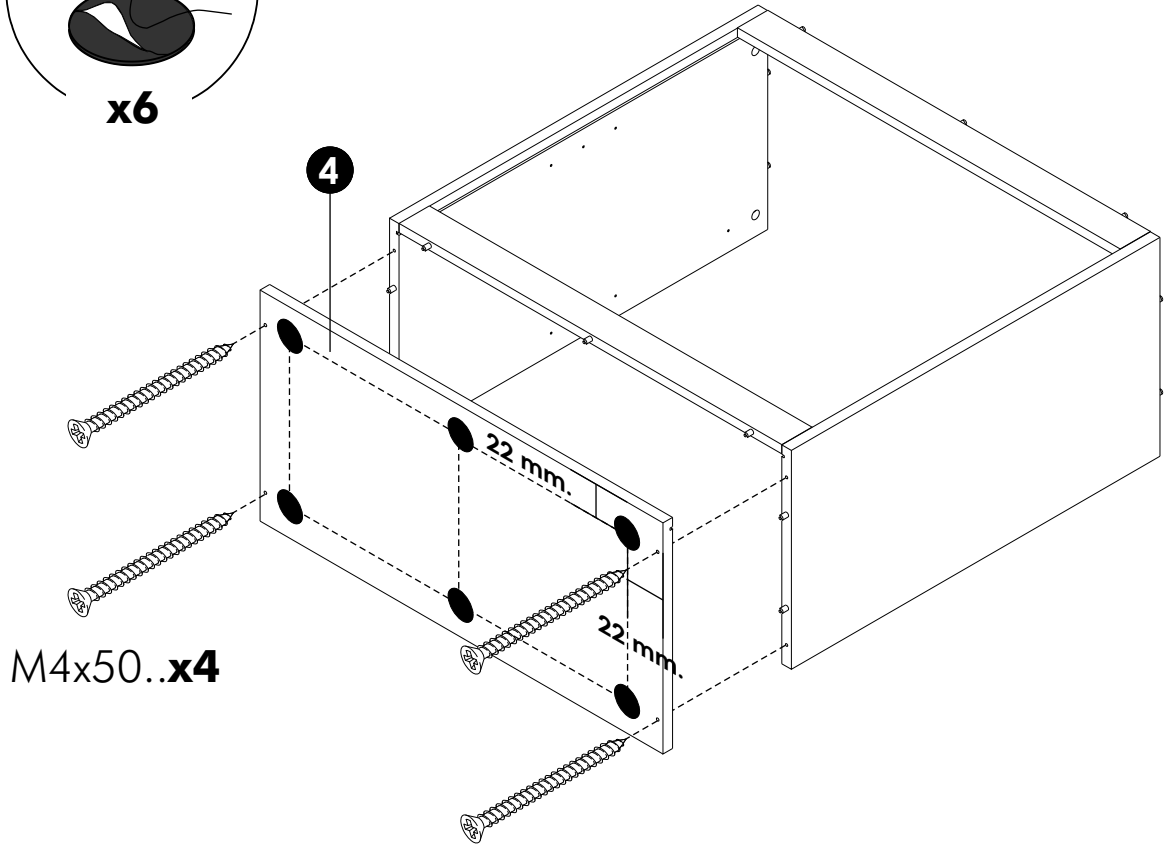
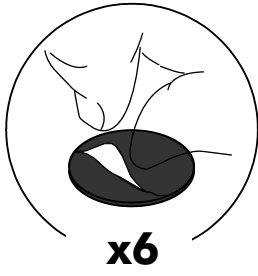
X1



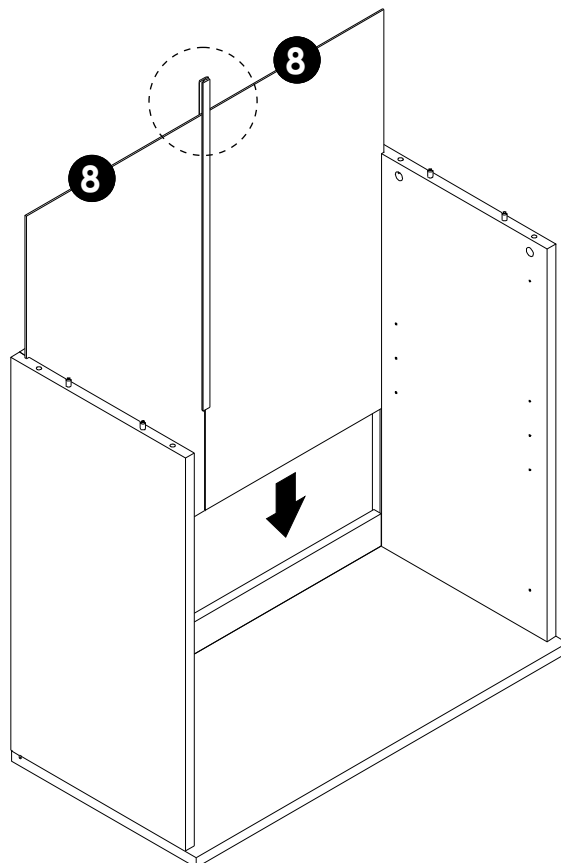
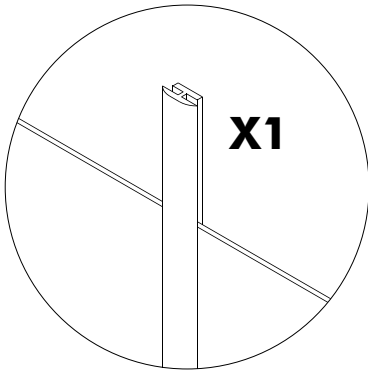
2.



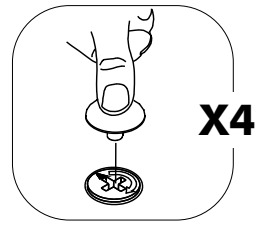
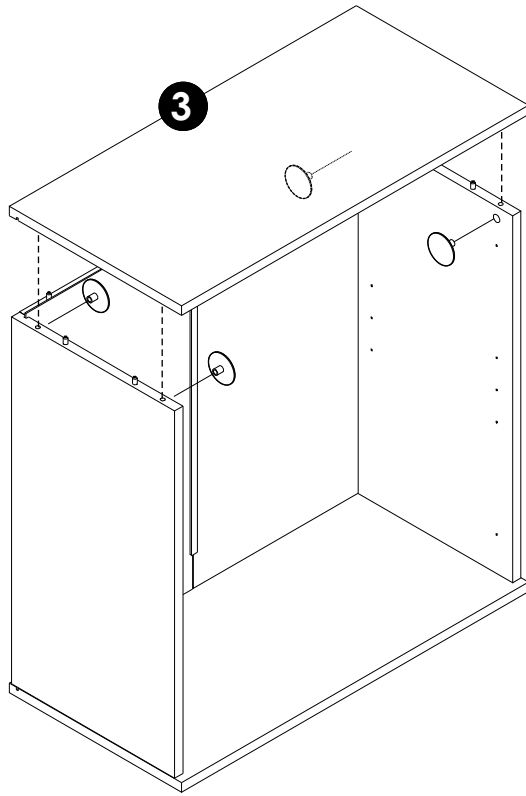
3.



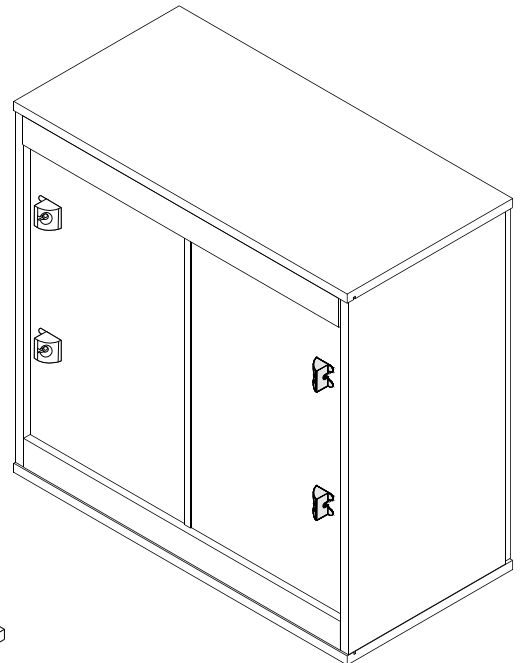
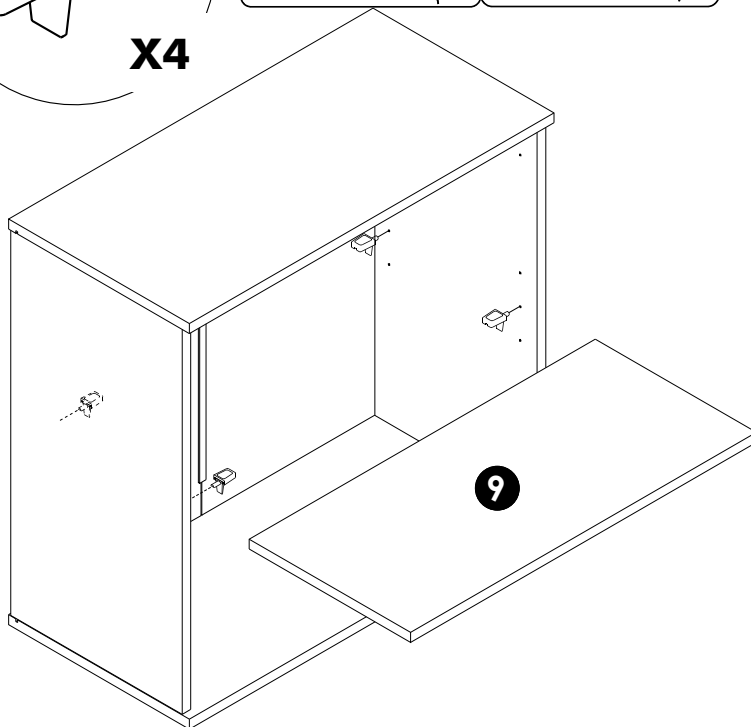
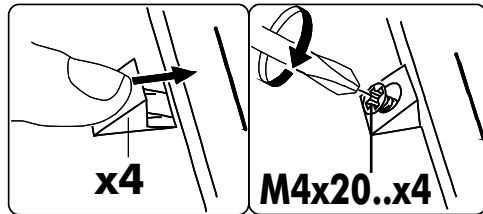
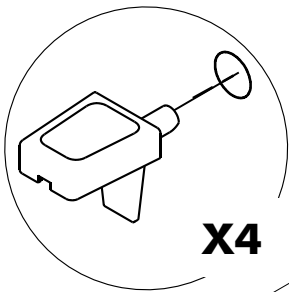
4.



5.



6.



7.

