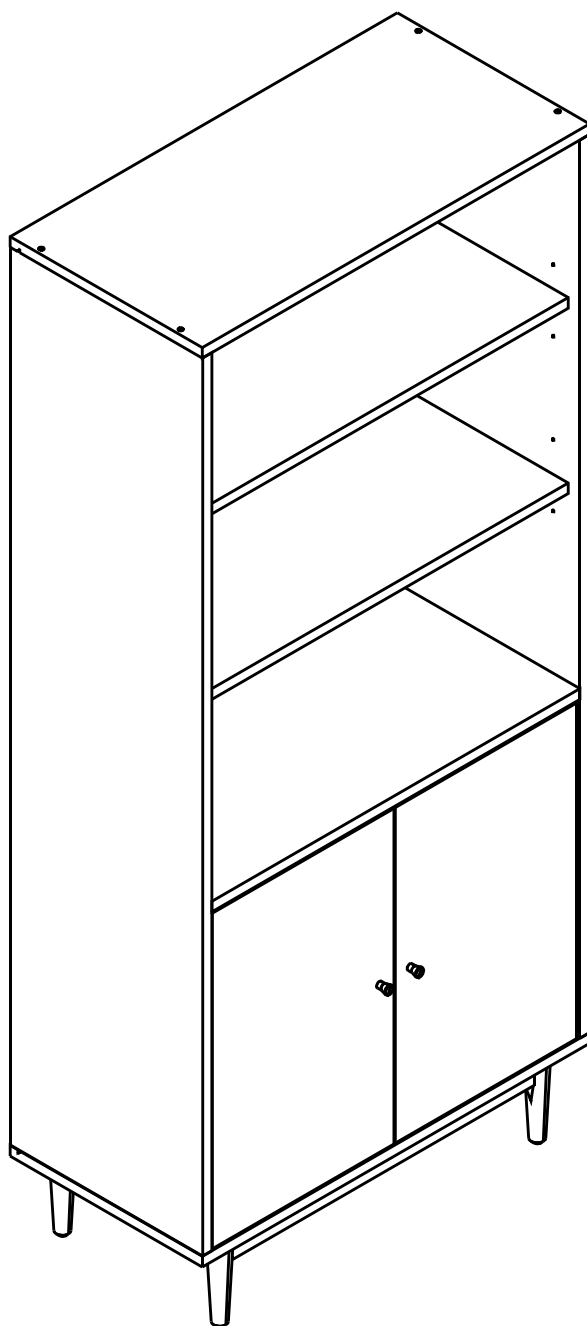
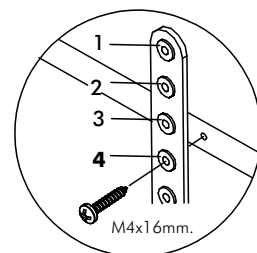
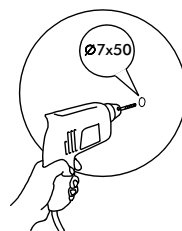
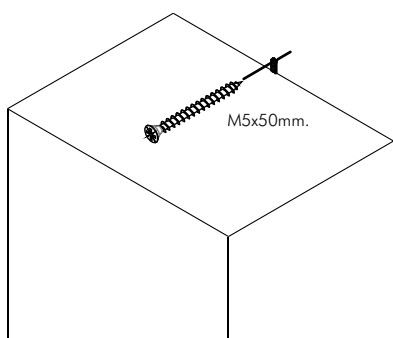
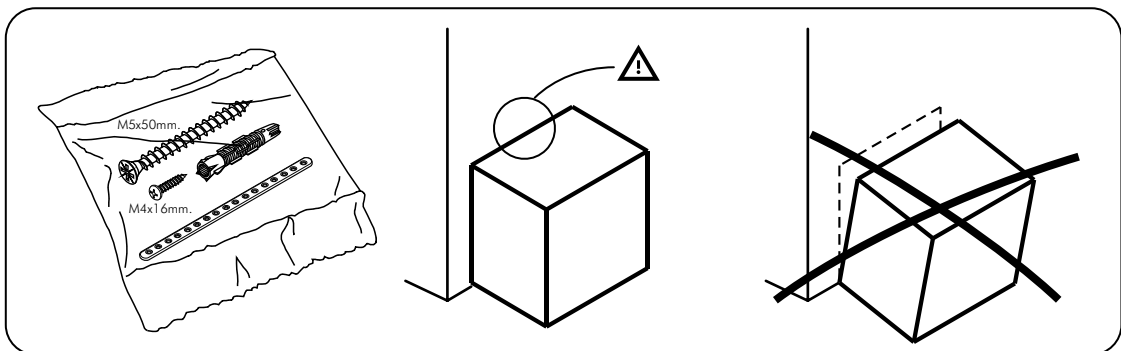
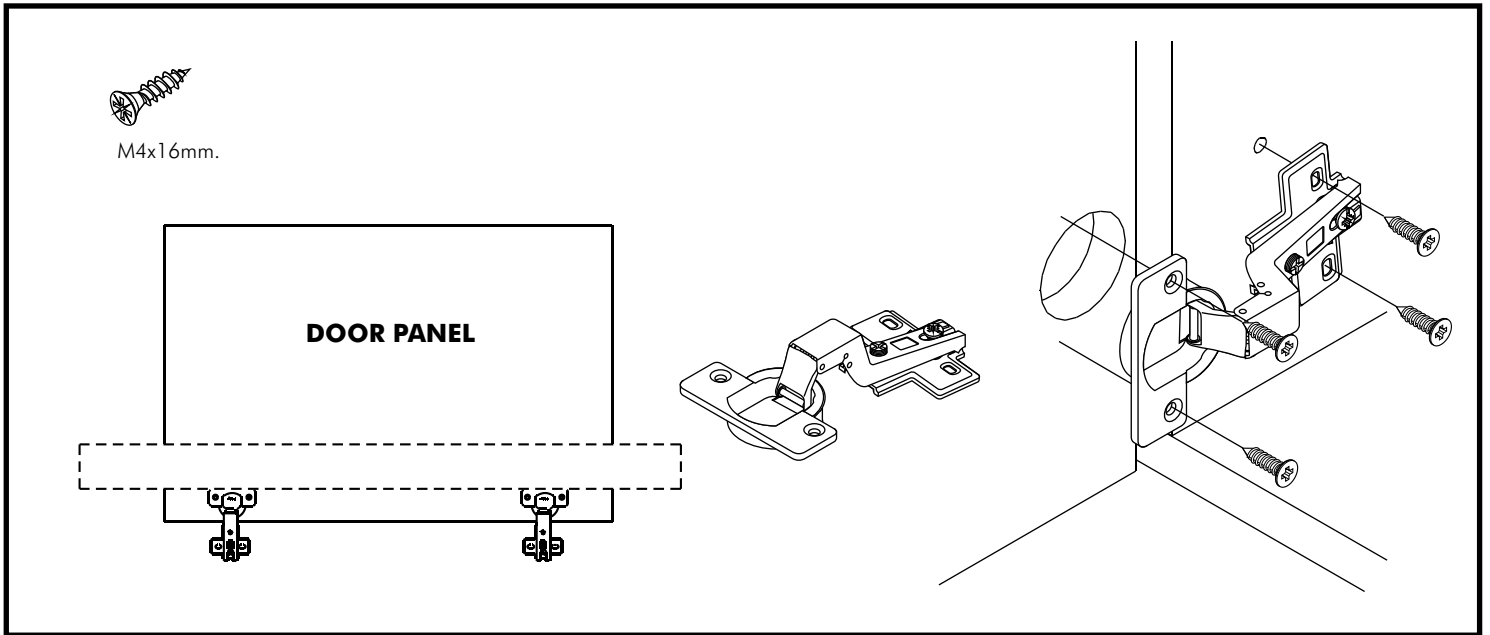


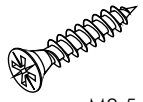
# SKALAR-P

High Cabinet 2 dr.

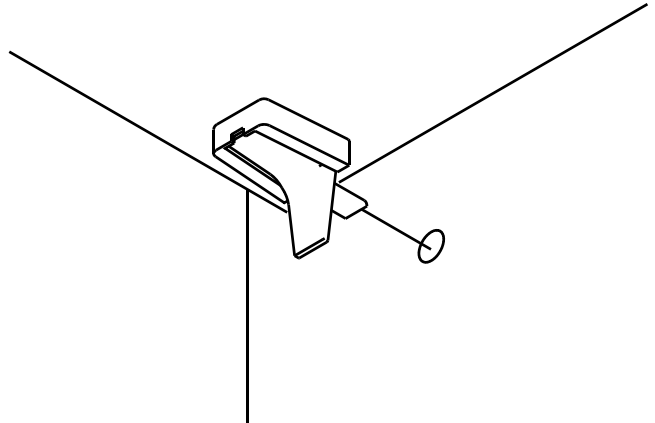
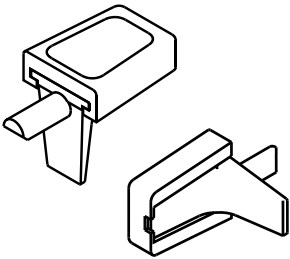
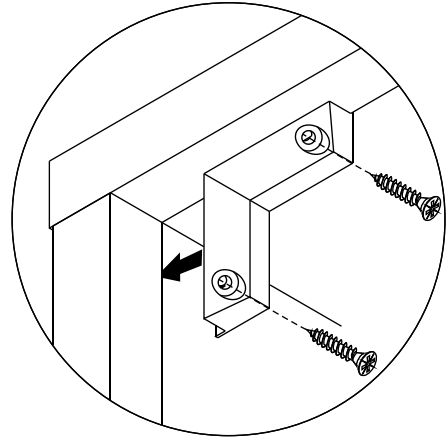
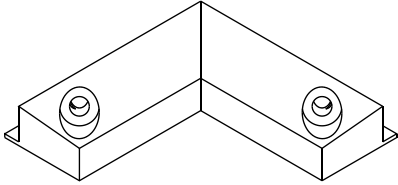


# CONNECT SYSTEM



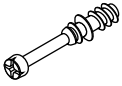


M3.5x20mm.



# HARDWARE

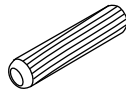
## -BODY SET



**x 4**

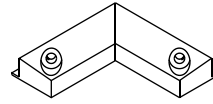


**x 4**



(8x35)

**x 12**



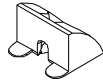
**x 4**



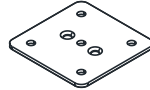
**x 4**



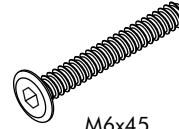
**x 12**



**x 8**

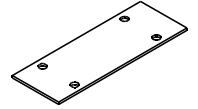


**x 4**



M6x45

**x 2**



**x 2**



M4x16mm.

**x 19**



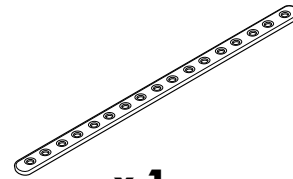
M3.5x20mm.

**x 16**

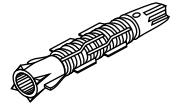


M4x13mm.

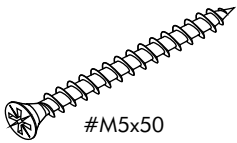
**x 8**



**x 1**

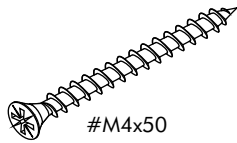


**x 1**



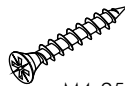
#M5x50

**x 1**



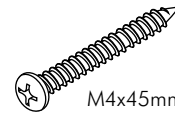
#M4x50

**x 8**



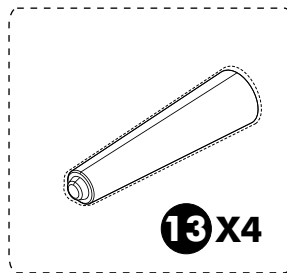
M4x25mm.

**x 8**



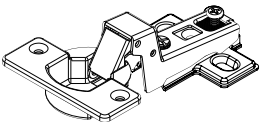
M4x45mm.

**x 2**



**13 x 4**

## -DOOR SET



**x 4**



M4x16mm.

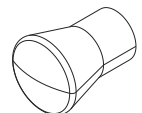
**x 16**



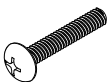
**x 2**



**x 2**



**x 2**



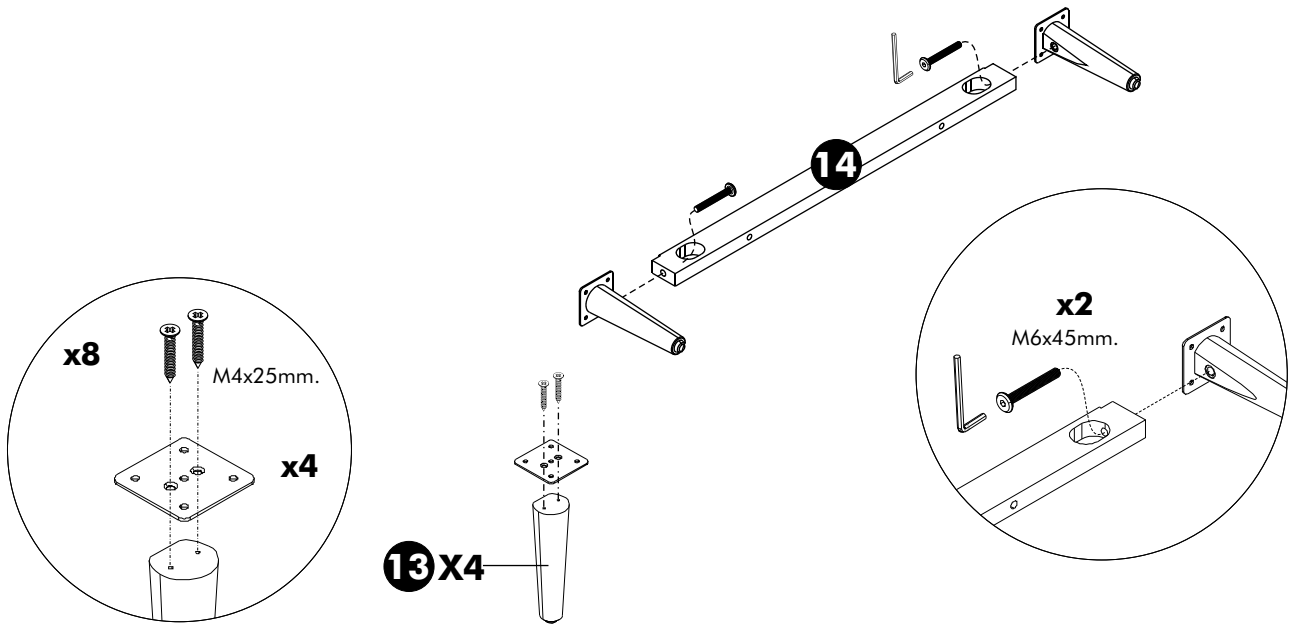
**x 2**



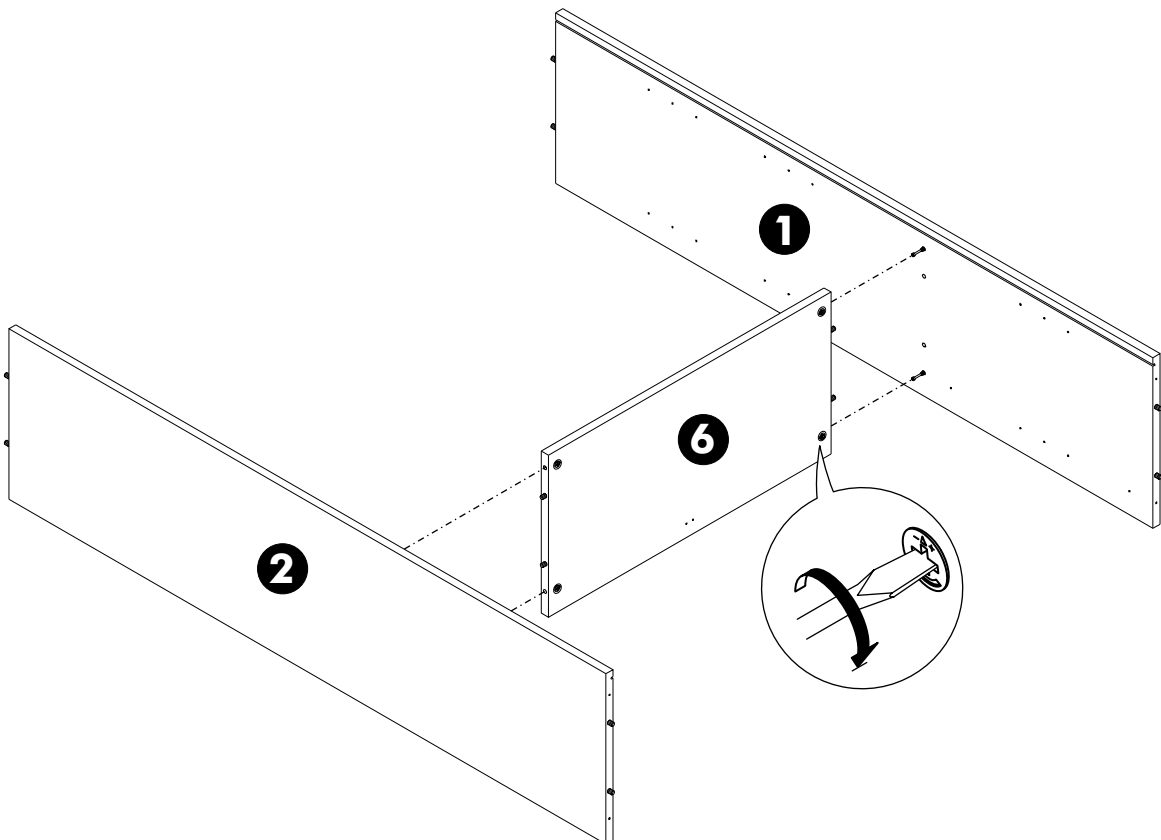
M3.5x16mm.

**x 2**

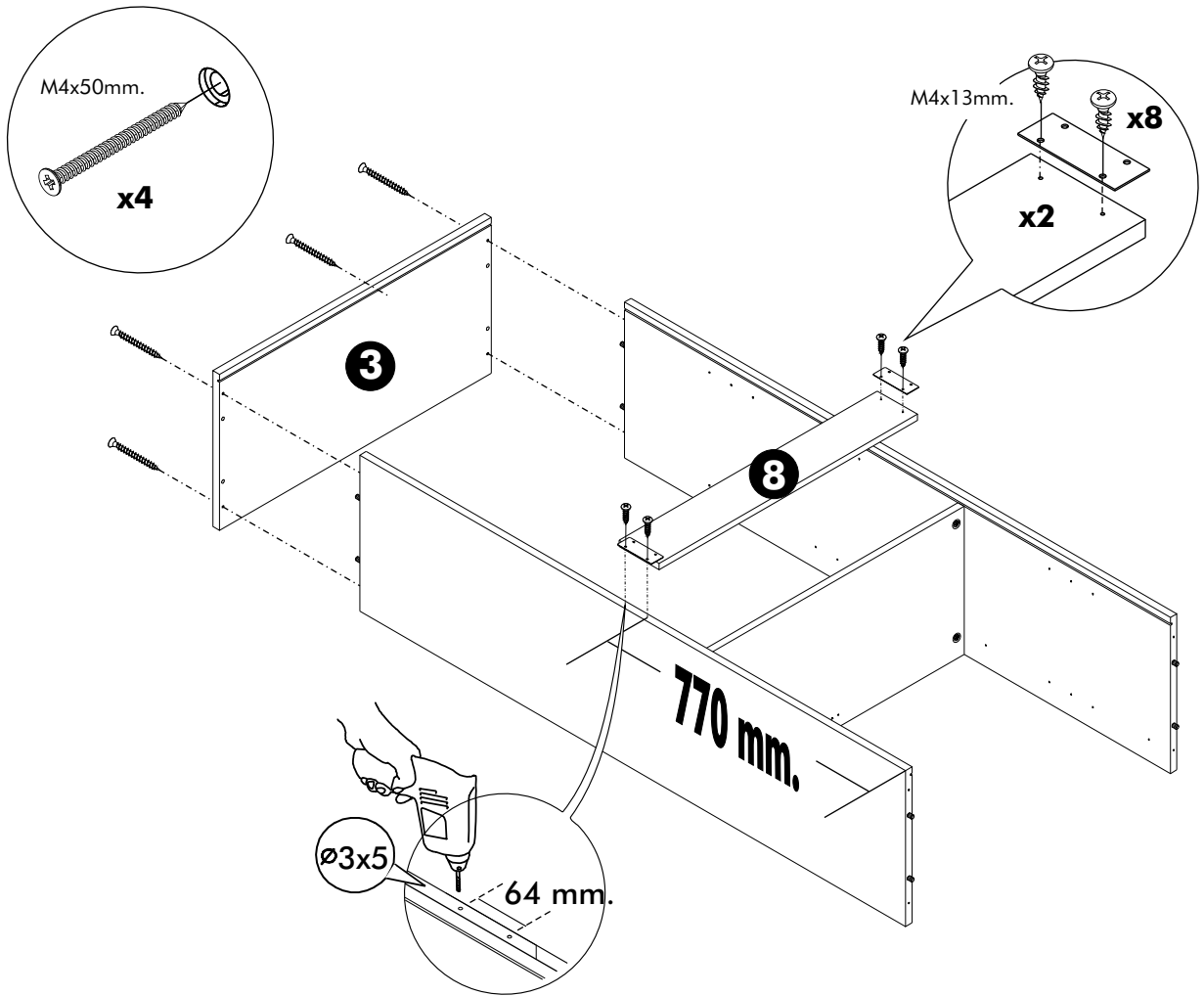
**1.**



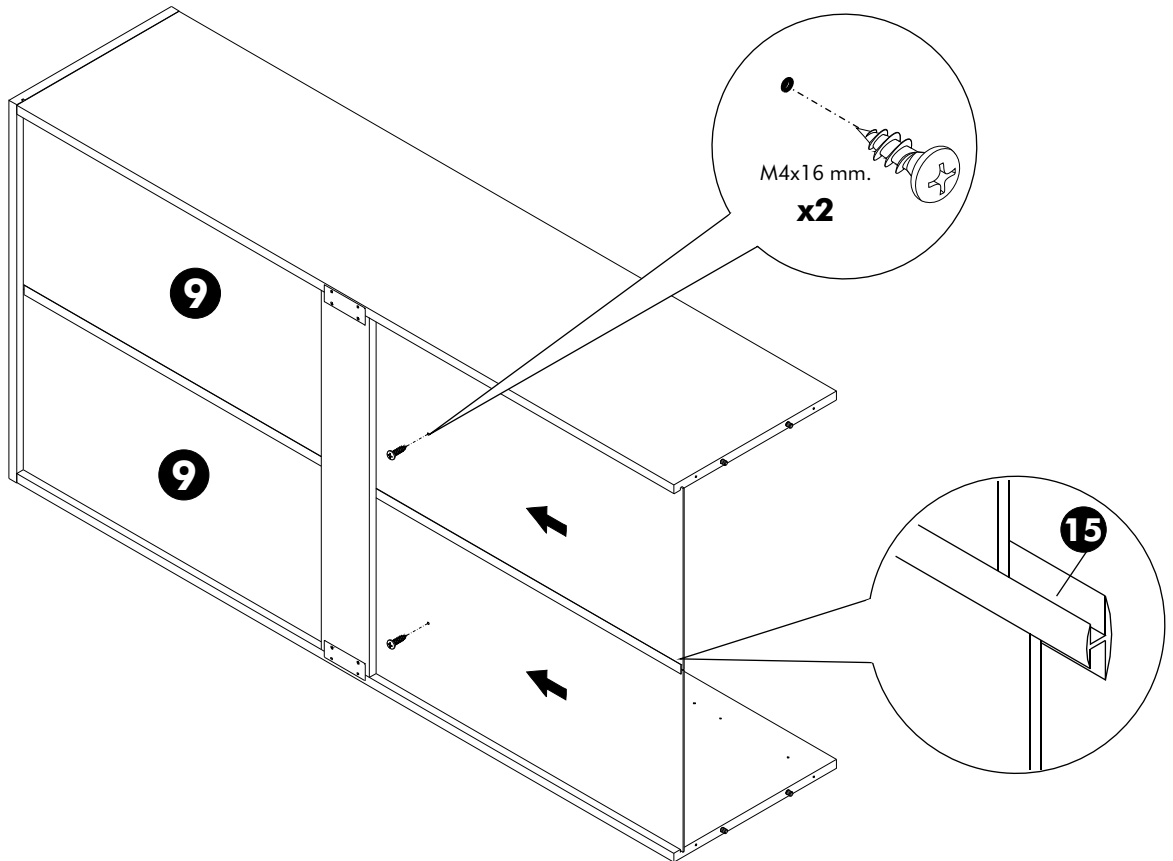
**2.**



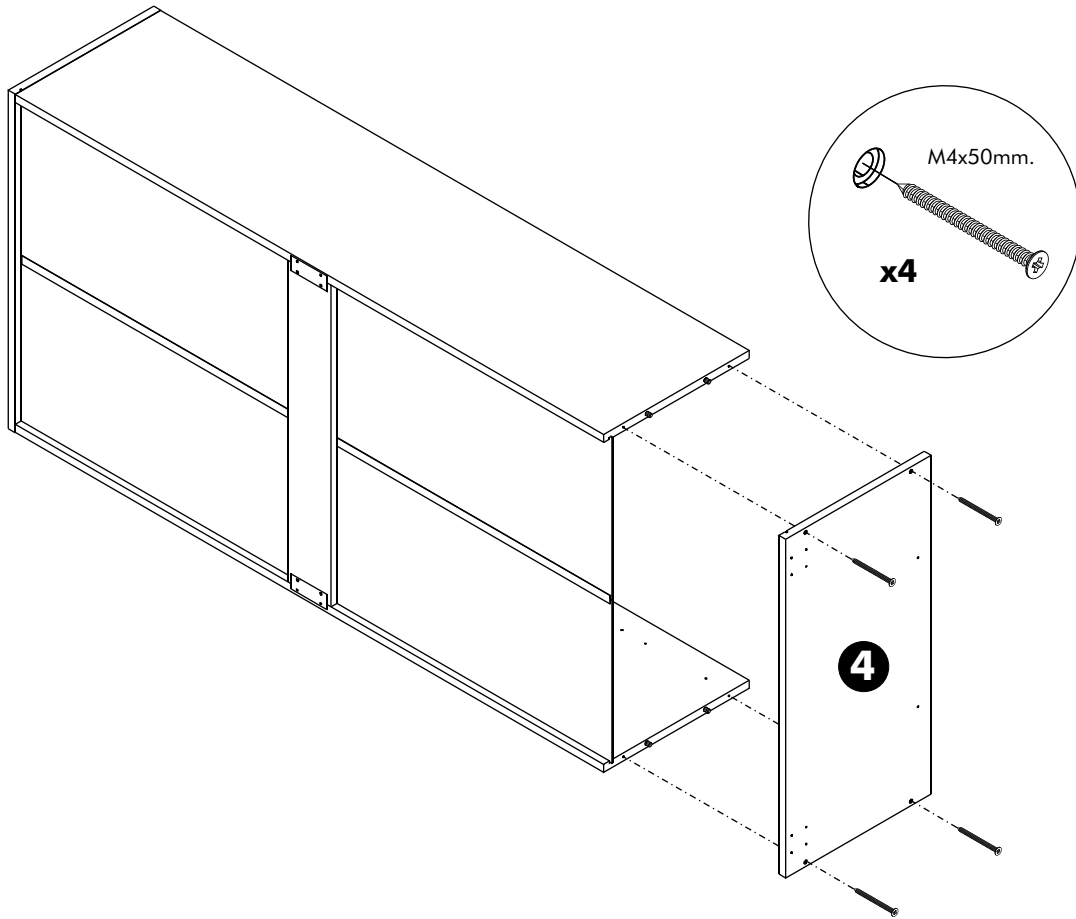
**3.**



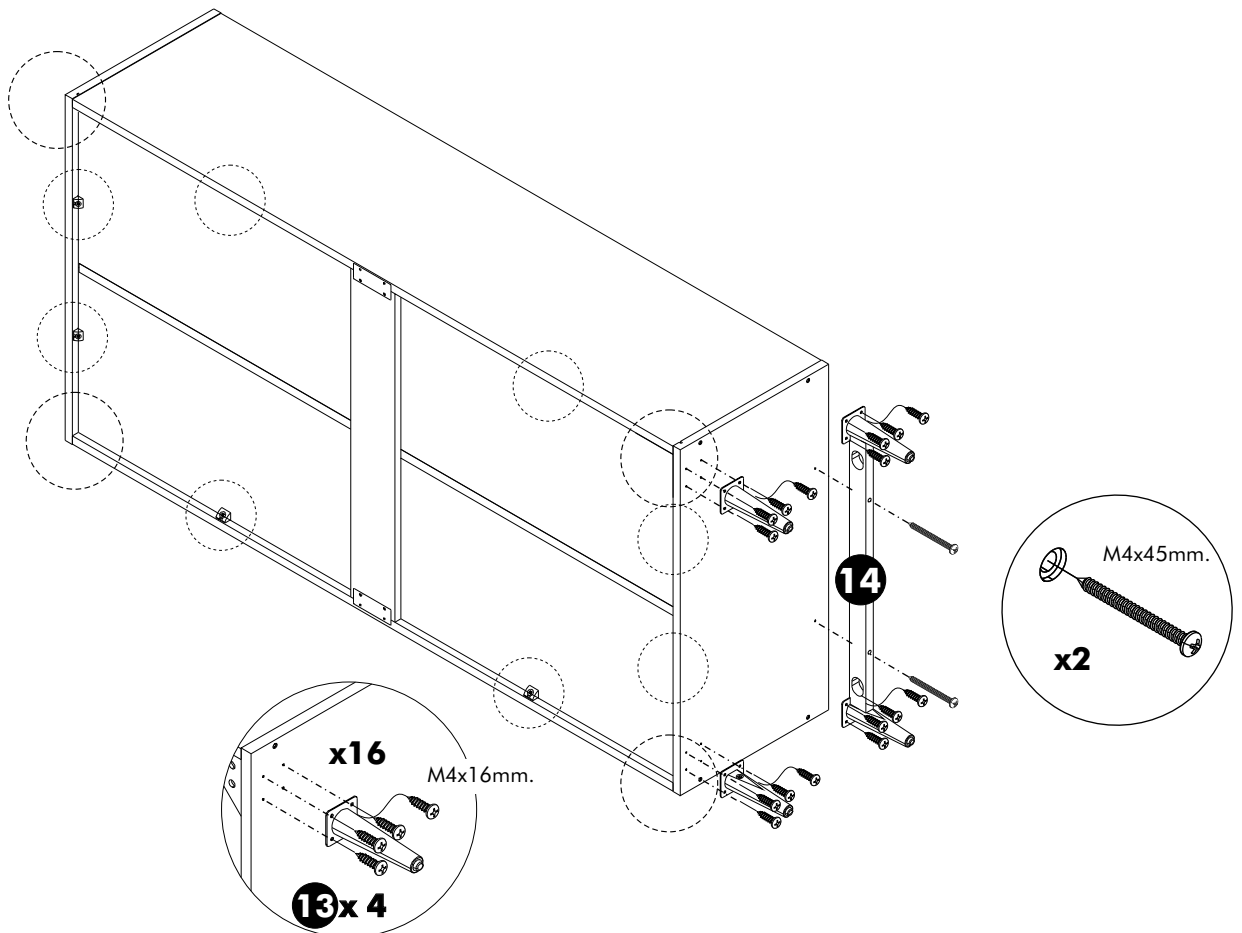
**4.**



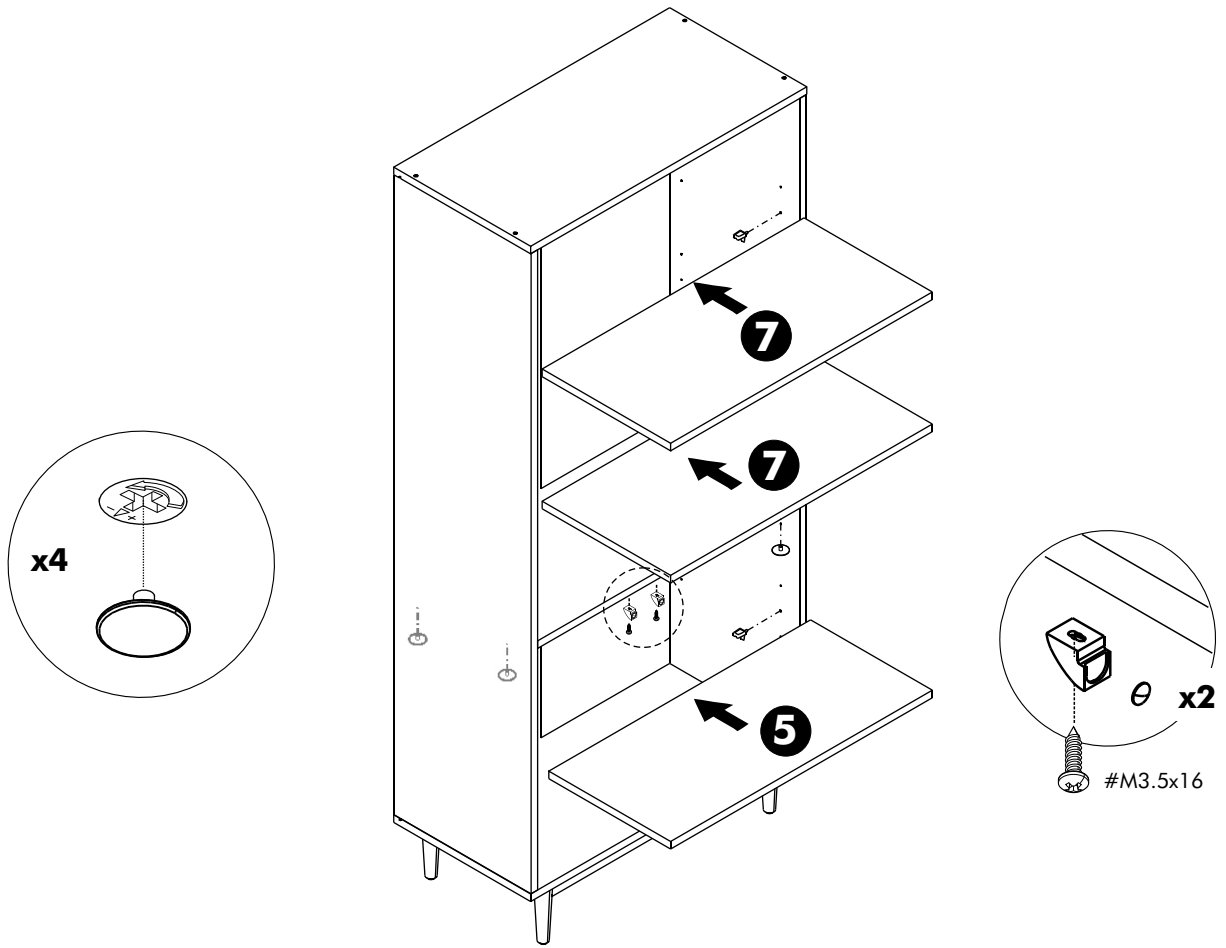
5.



6.



**7.**



**8.**

