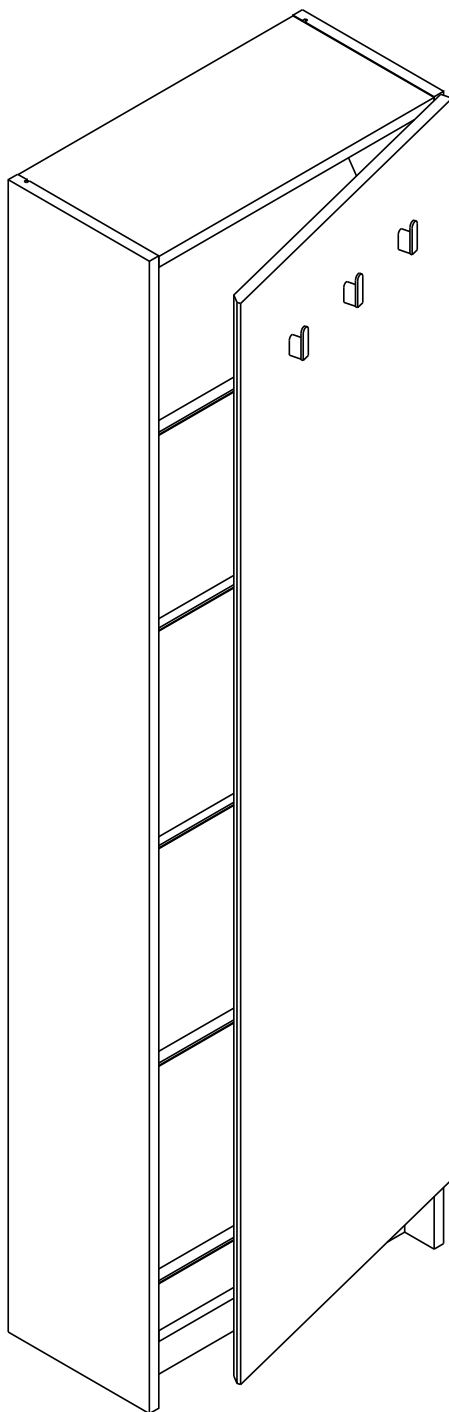


# URBANO-P

Shoe cabinet



# CONNECT SYSTEM

**1**

**3**

**2**

(Connecting bolts)

**WHEN FITTING CAMS**  
 ENSURE STARTING POSITION IS CORRECT  
 BEFORE YOU INSERT CONNECTING BOLT  
 TURN CLOCKWISE UNTIL SECURE

✓				✗
↑				
CORRECT		WRONG		

**i**

---

**OUT**      **IN**

M4x16mm.

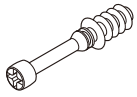
M4x16mm.

**i**

DOOR PANEL

# HARDWARE

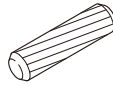
## -BODY SET



**x 12**

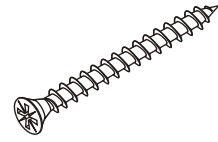


**x 12**



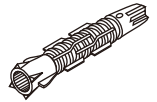
8x35mm.

**x 18**



M4.5x60mm.

**x 4**

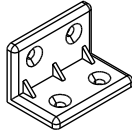


**x 4**

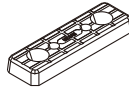


M4x16mm.

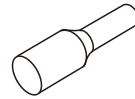
**x 20**



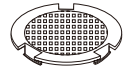
**x 3**



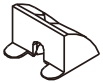
**x 4**



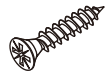
**x 20**



**x 4**

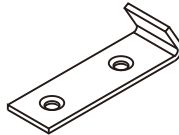


**x 6**



M3.5x20mm.

**x 6**



**x 10**



M4x16mm.

**x 3**



M4x13mm.

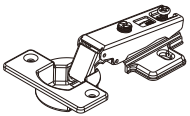
**x 20**



M3.5x16mm.

**x 15**

## -DOOR SET

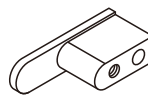


**x 4**



M4x16mm.

**x 16**



**x 3**



M4x22 mm.

**x 3**

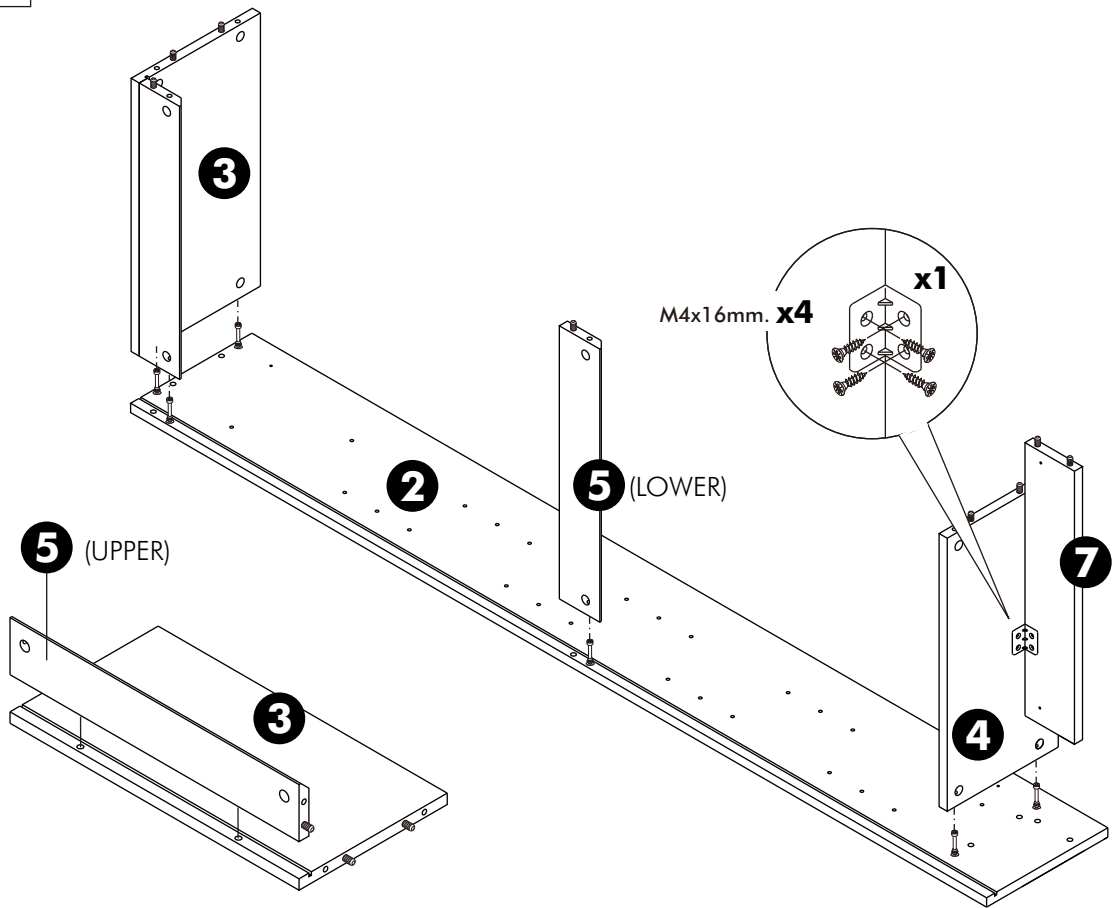


**x 2**

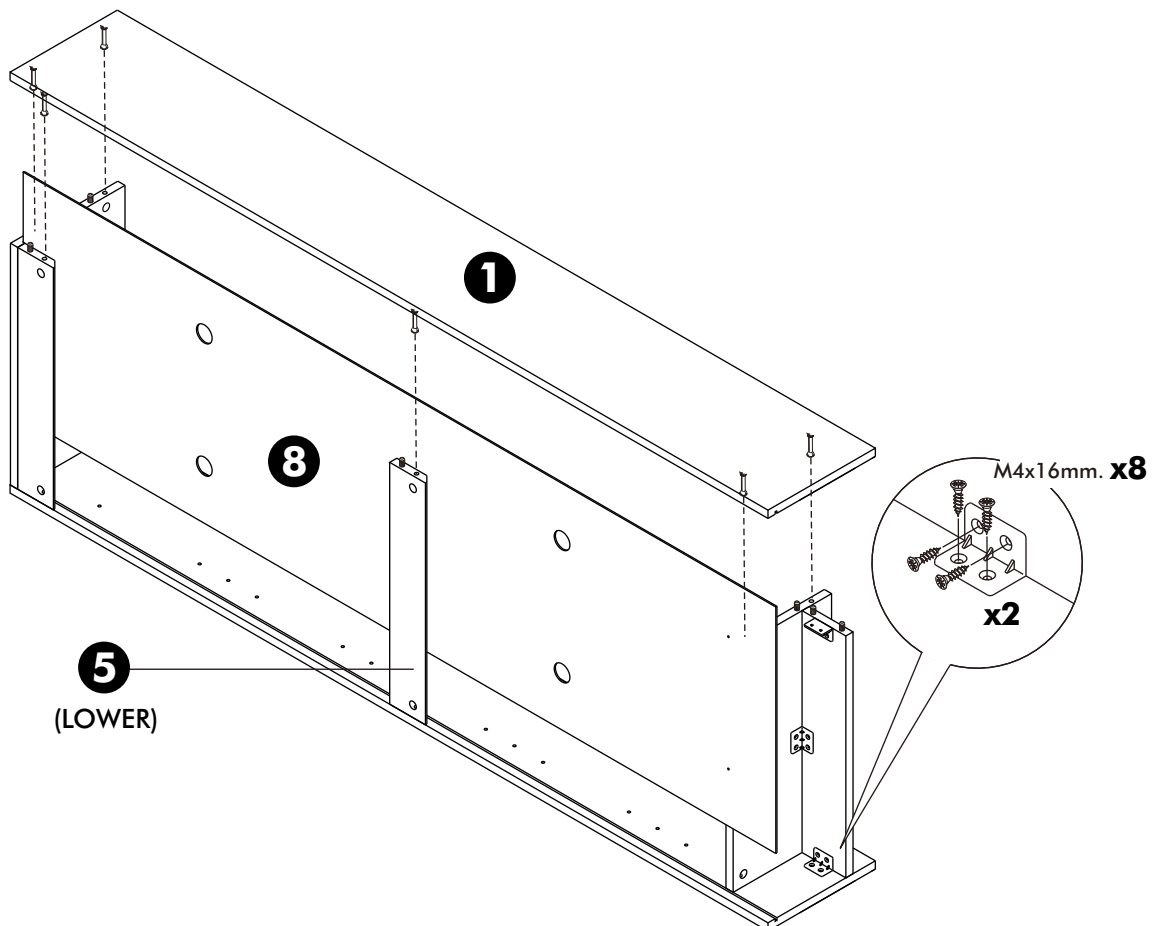
# ASSEMBLY

-BODY SET

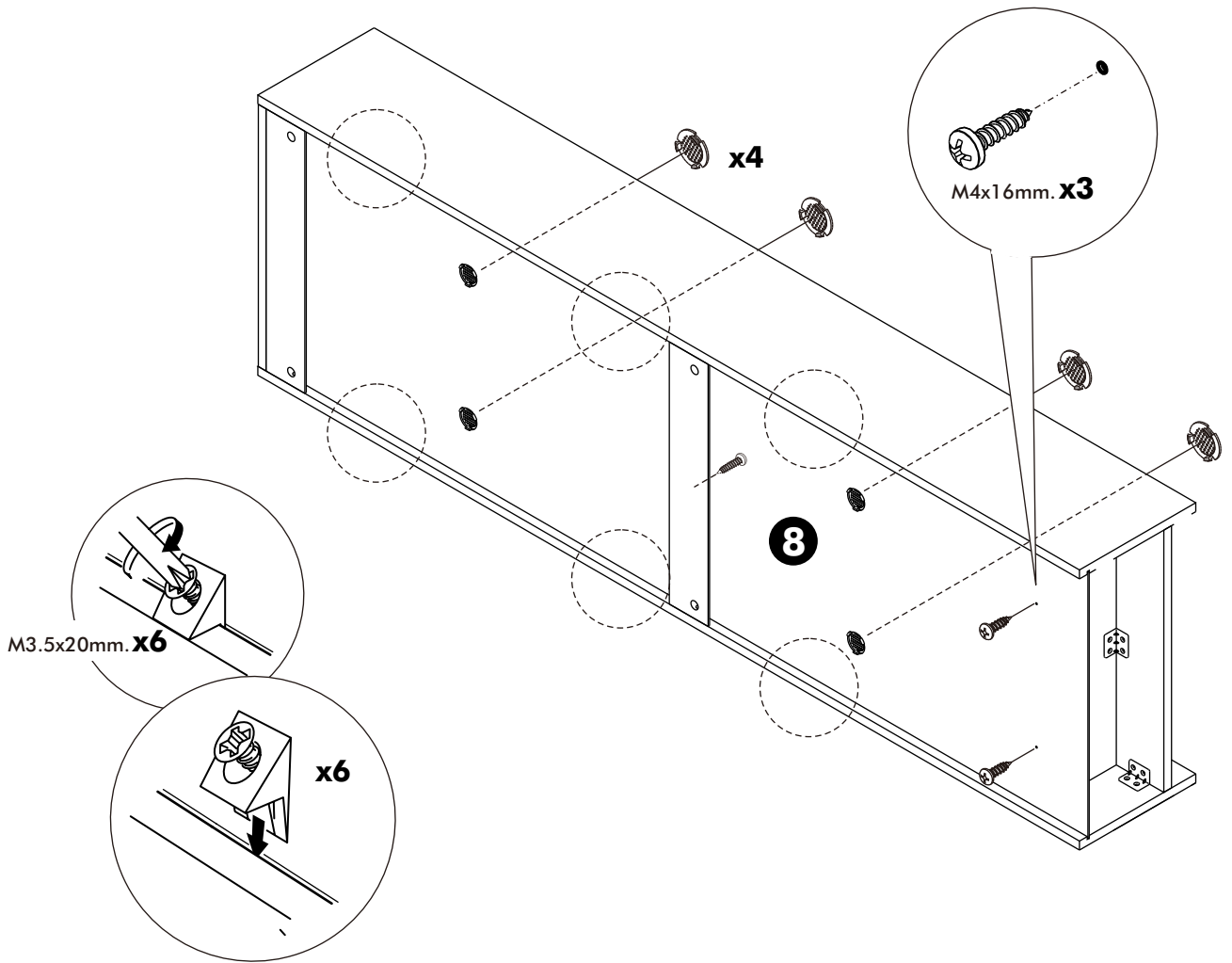
## 1.



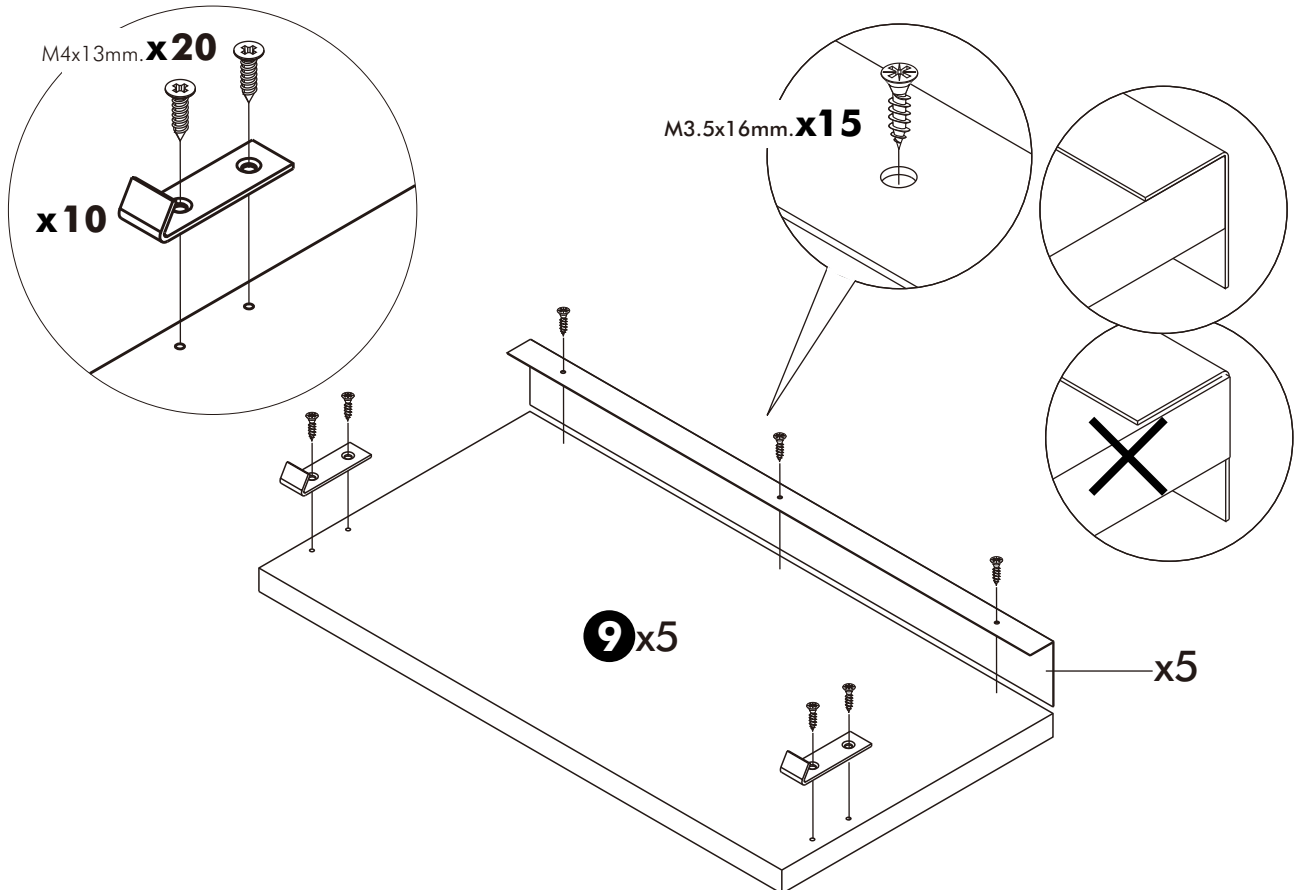
## 2.



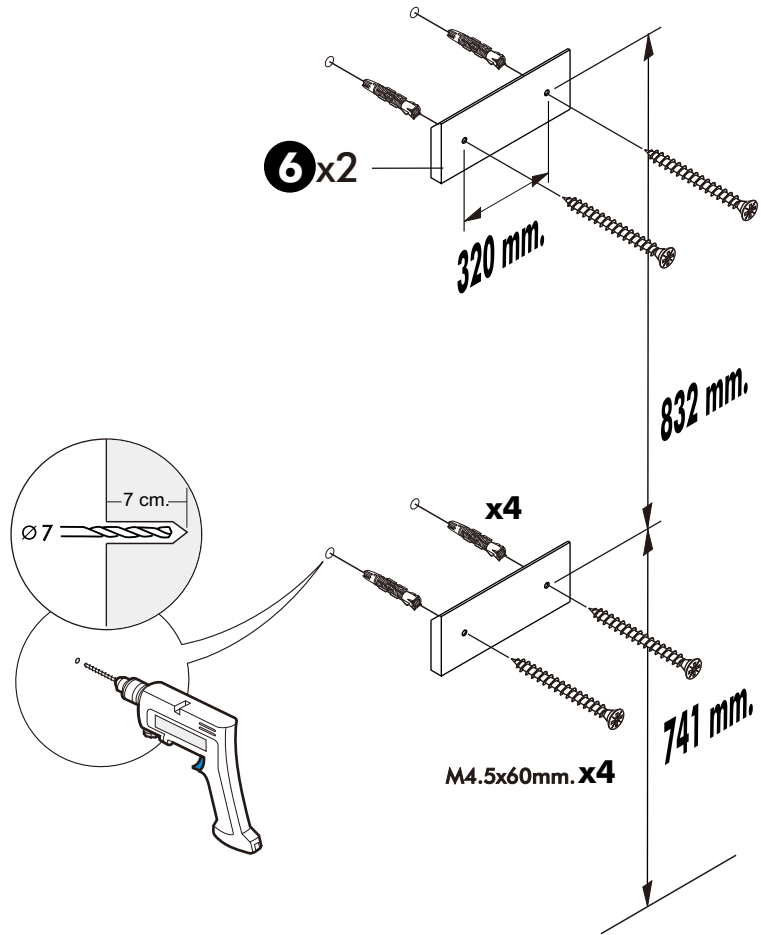
**3.**



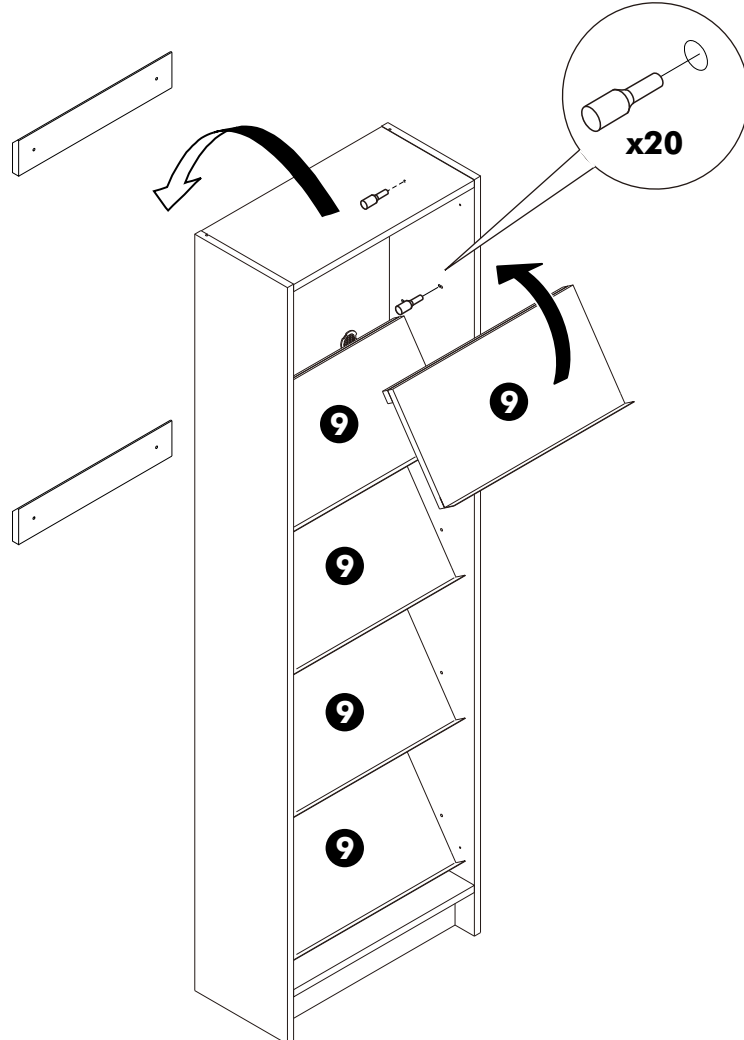
**4.**



5.



6.



**ASSEMBLY**

-DOOR SET

**7.**

