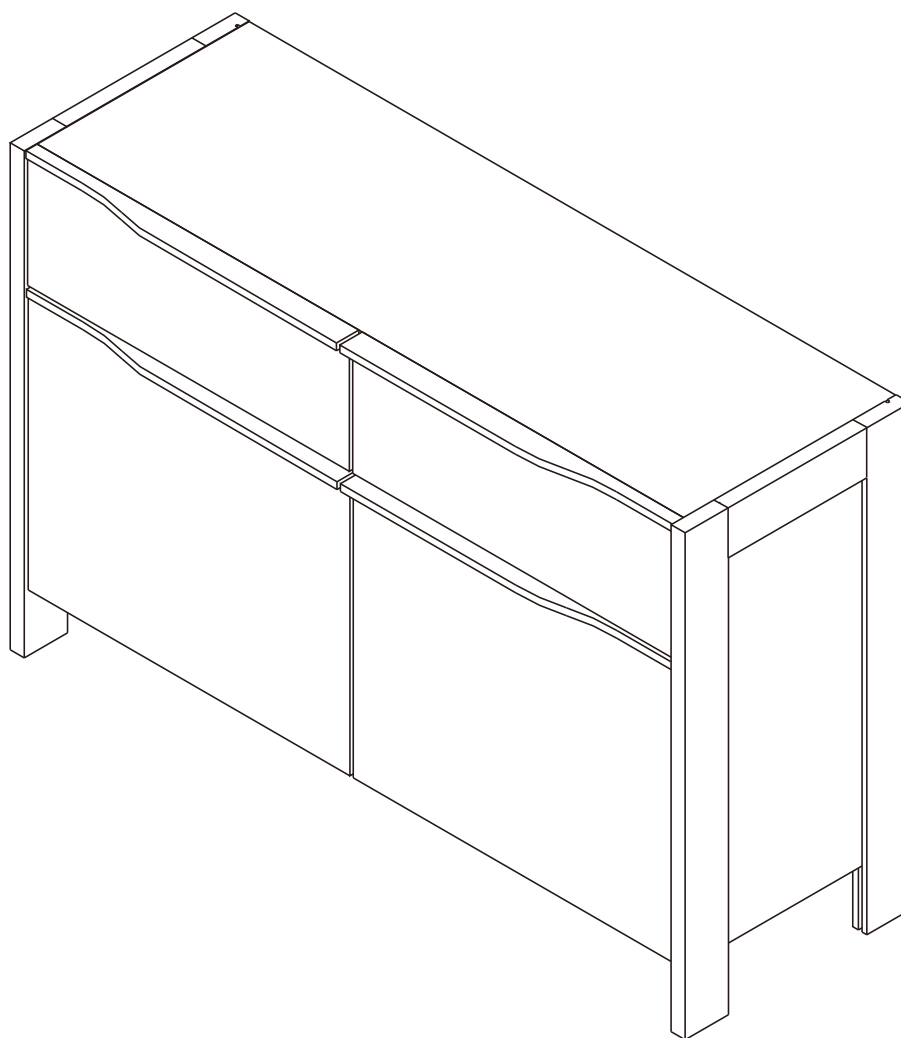
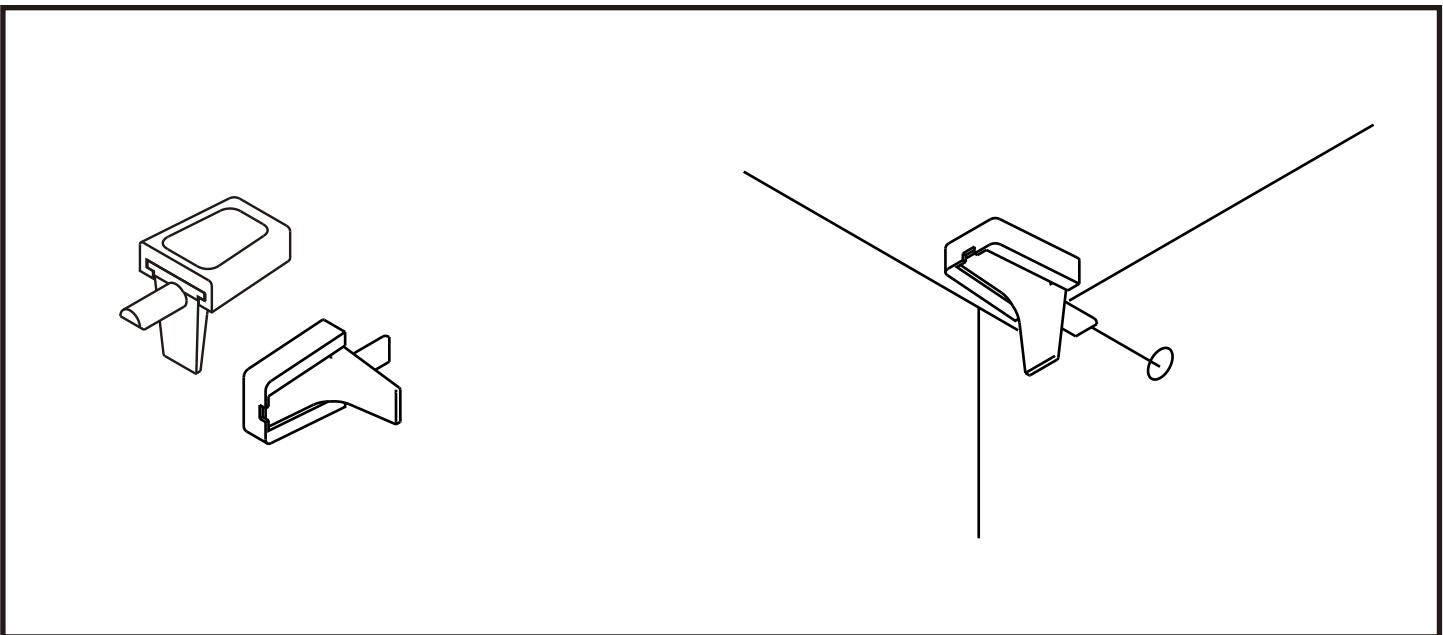
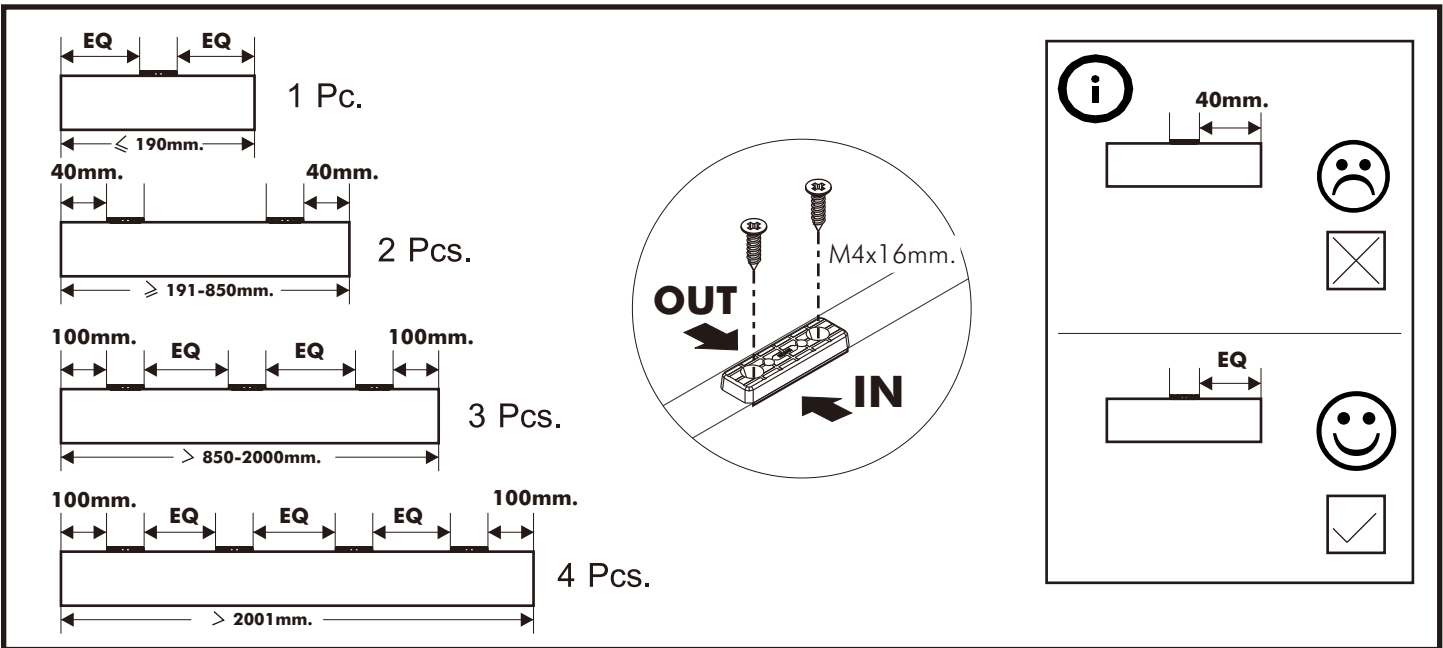
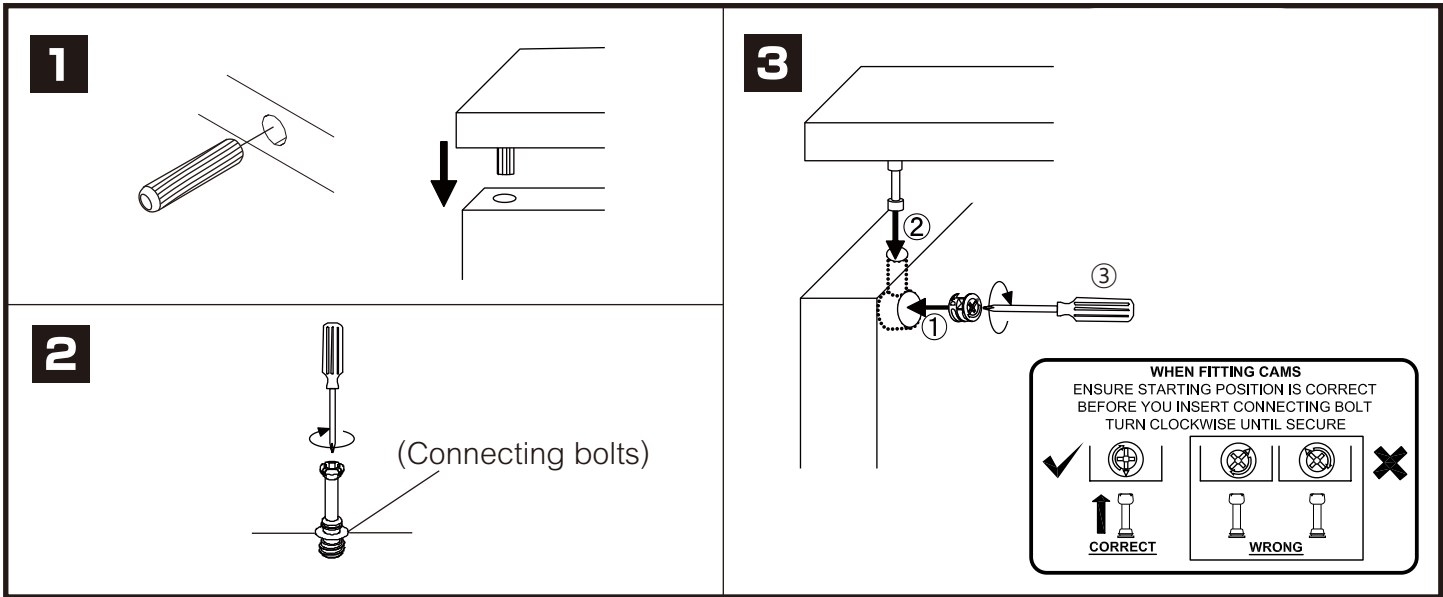


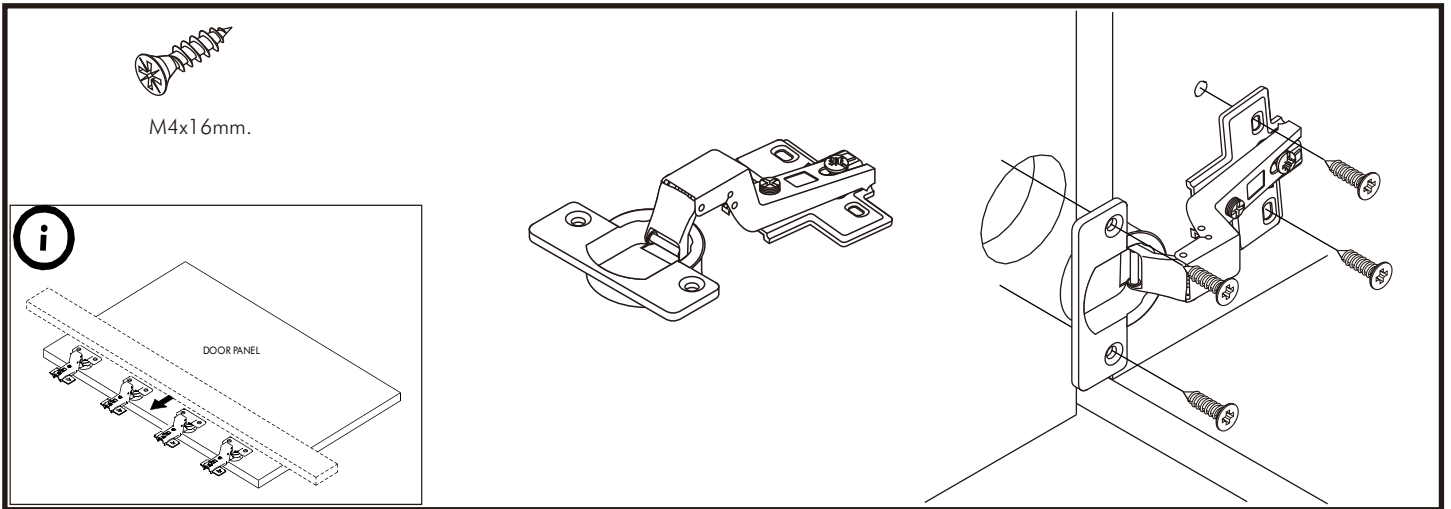
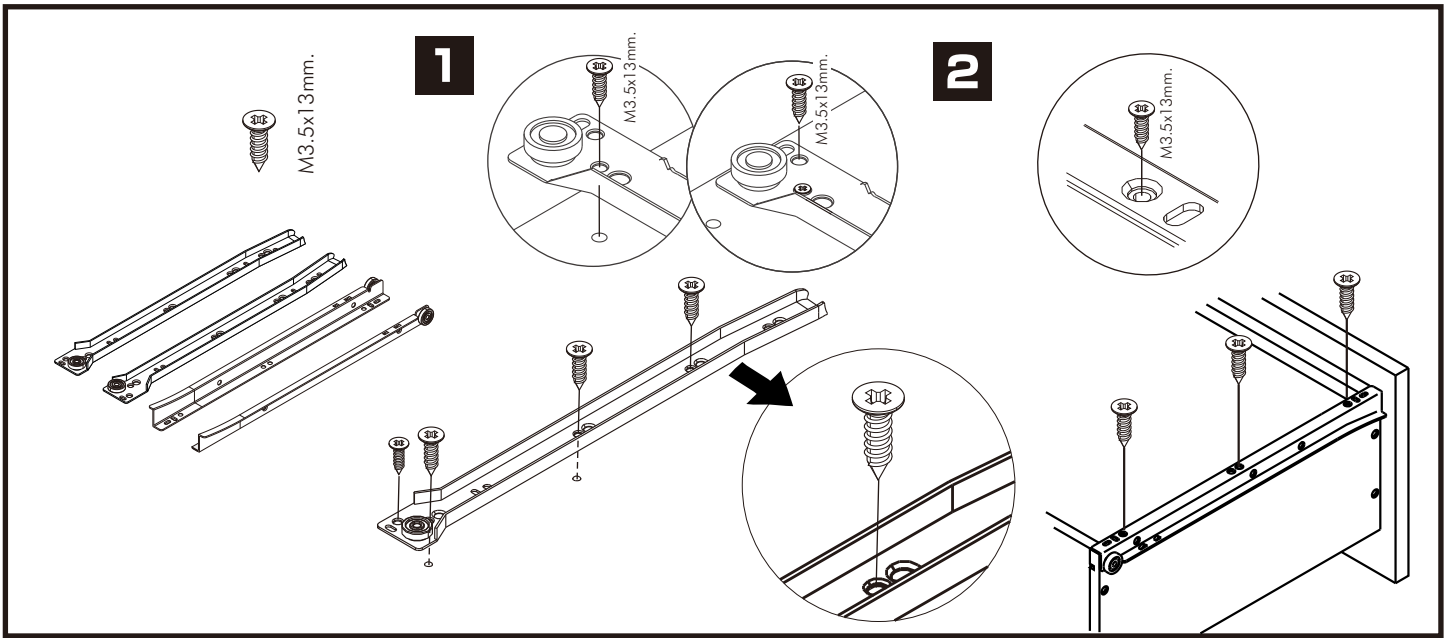
STOCKHOLM-P

Sideboard 120 Cm.



CONNECT SYSTEM

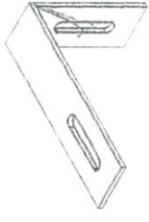




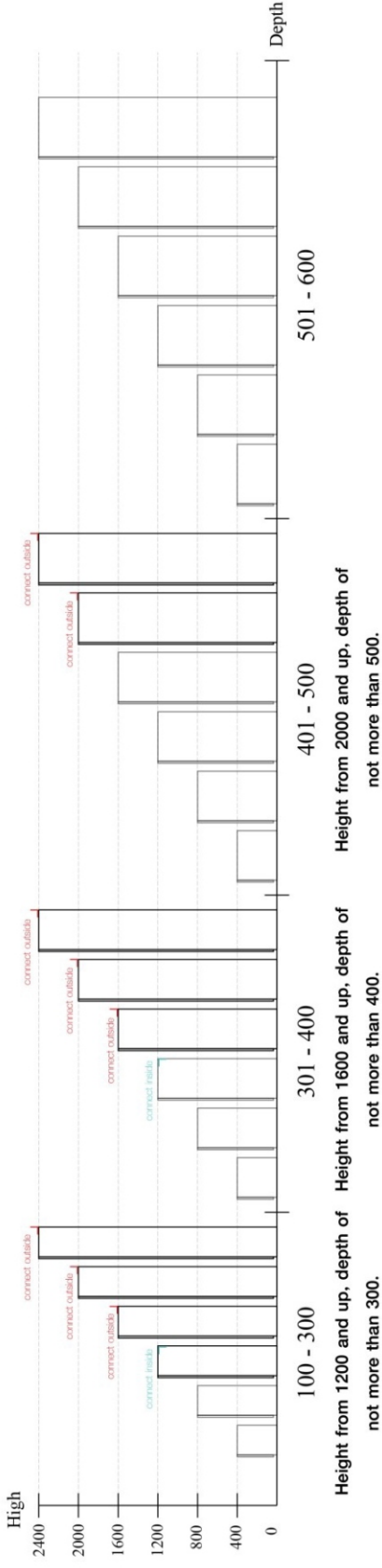


The Standard for identifying which mounted safety fall protection fitting to use **Note : That children's products must be installed with all anti-falling fittings.**

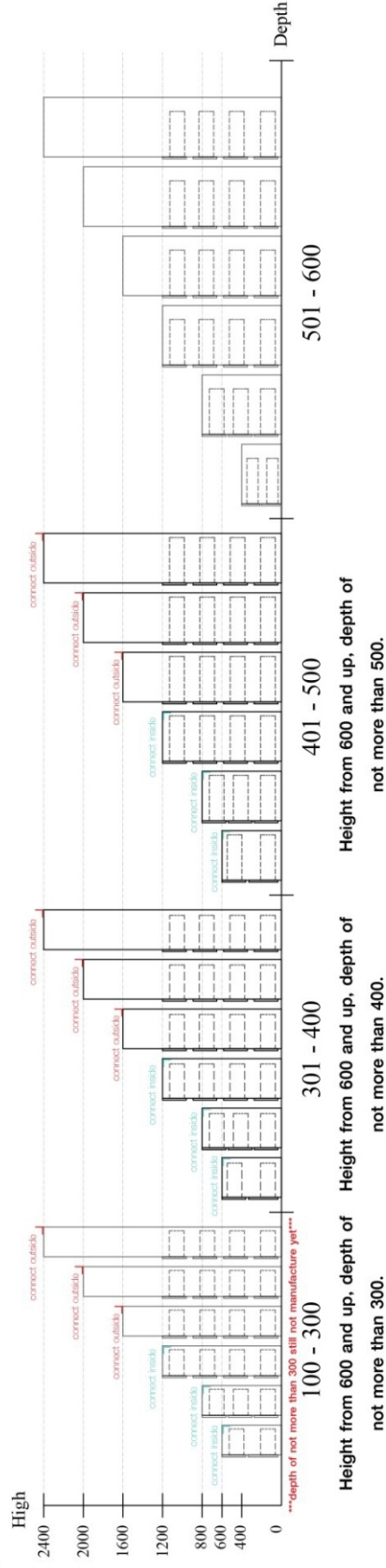
■ Mounted fall protection fittings



■ Category : Cabinet with open doors



■ Category : Chest of drawers

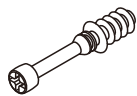


■ Category : Sliding door cabinet / Open cabinet



HARDWARE

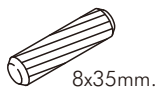
-BODY SET



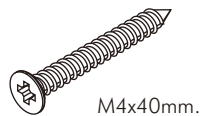
x 30



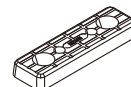
x 30



x 28



x 8



x 4



x 8



x 7



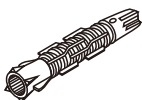
x 7



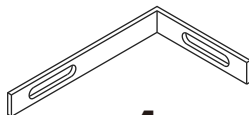
x 8



x 16



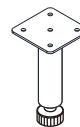
x 1



x 1

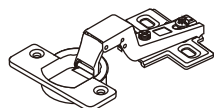


x 1



x 1

-DOOR SET



x 4



x 16

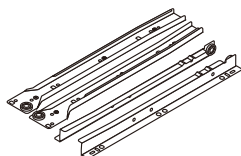


x 4



x 6

-DRAWER SET



x 2



x 28



x 10



x 20

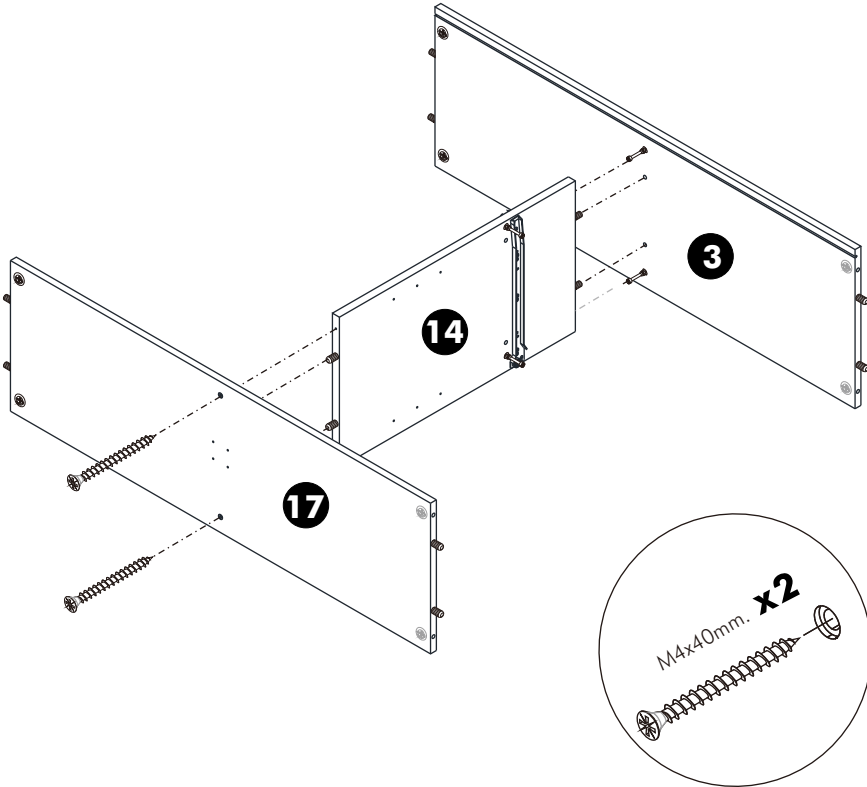


x 1

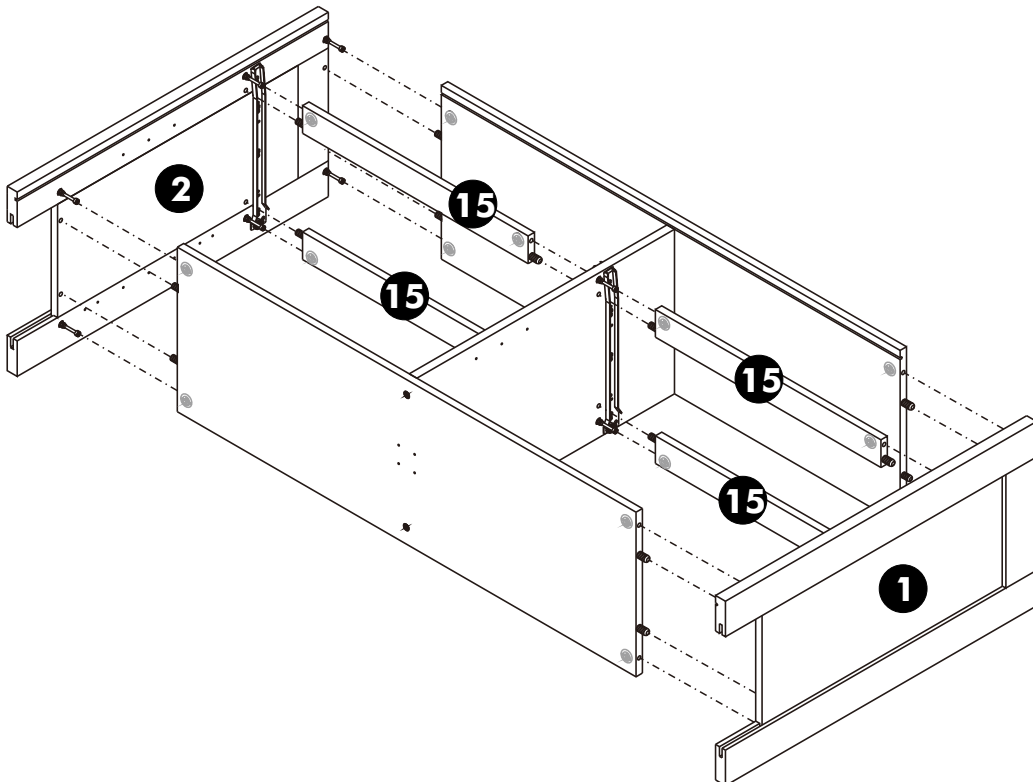
ASSEMBLY

-BODY SET

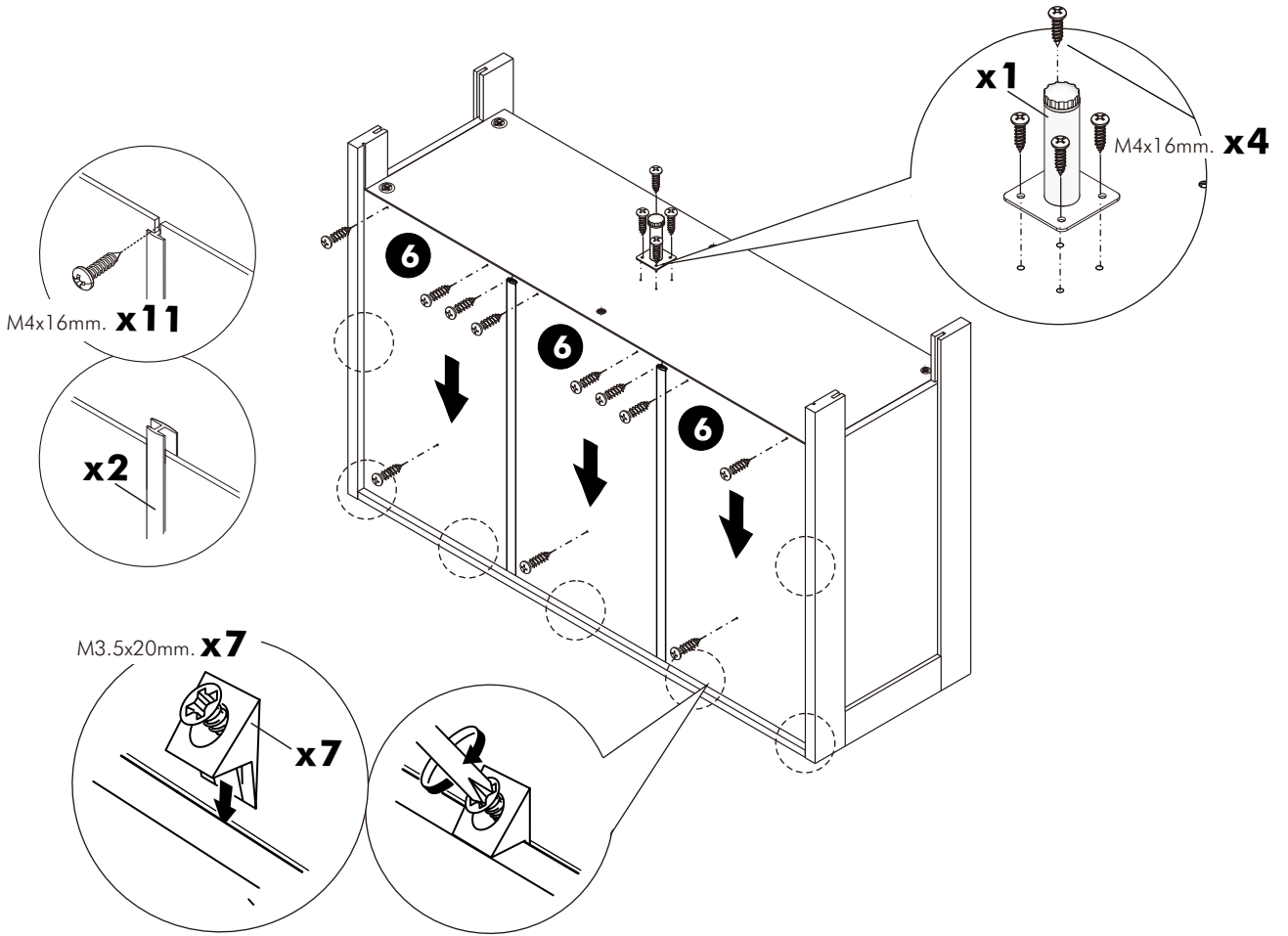
1.



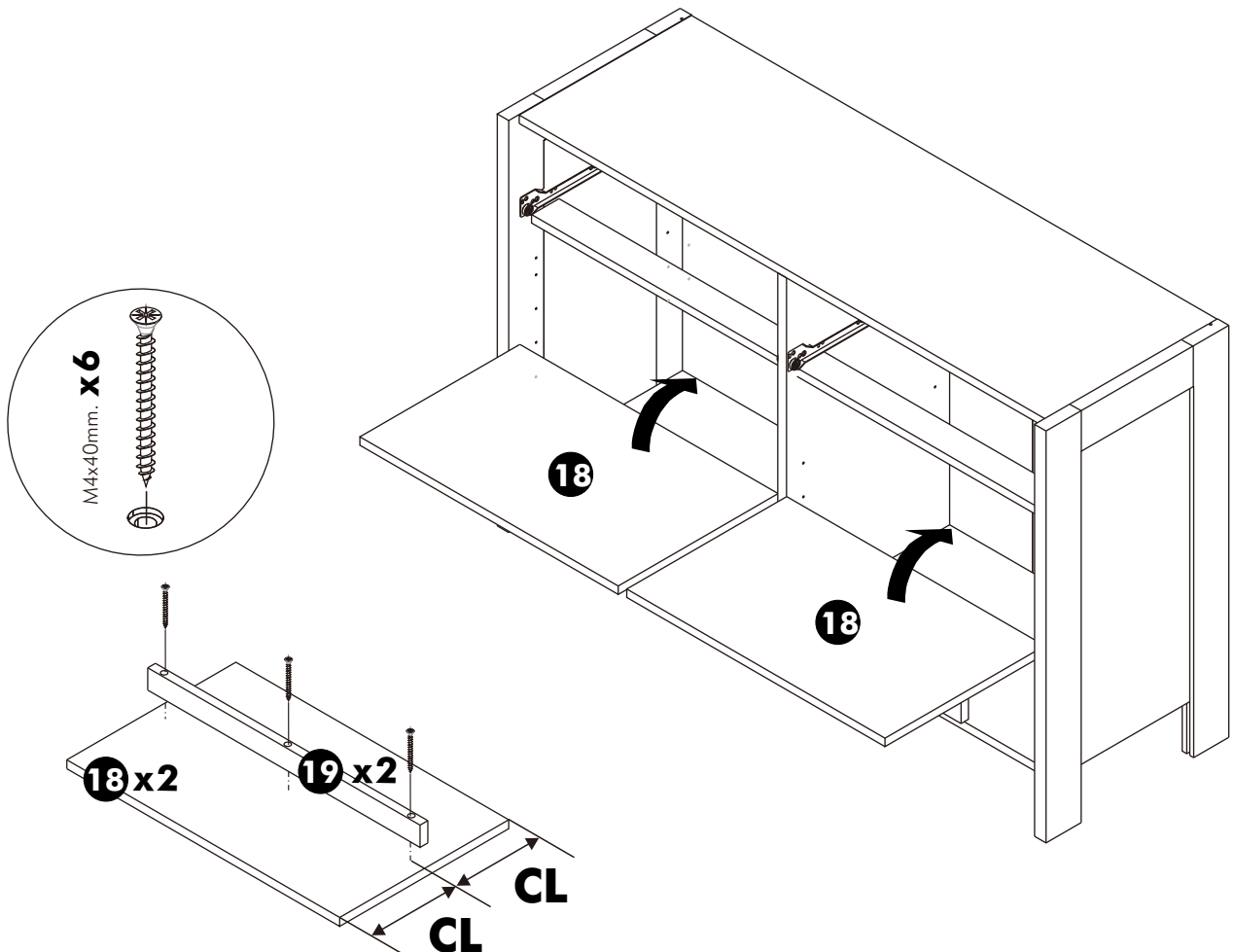
2.



3.



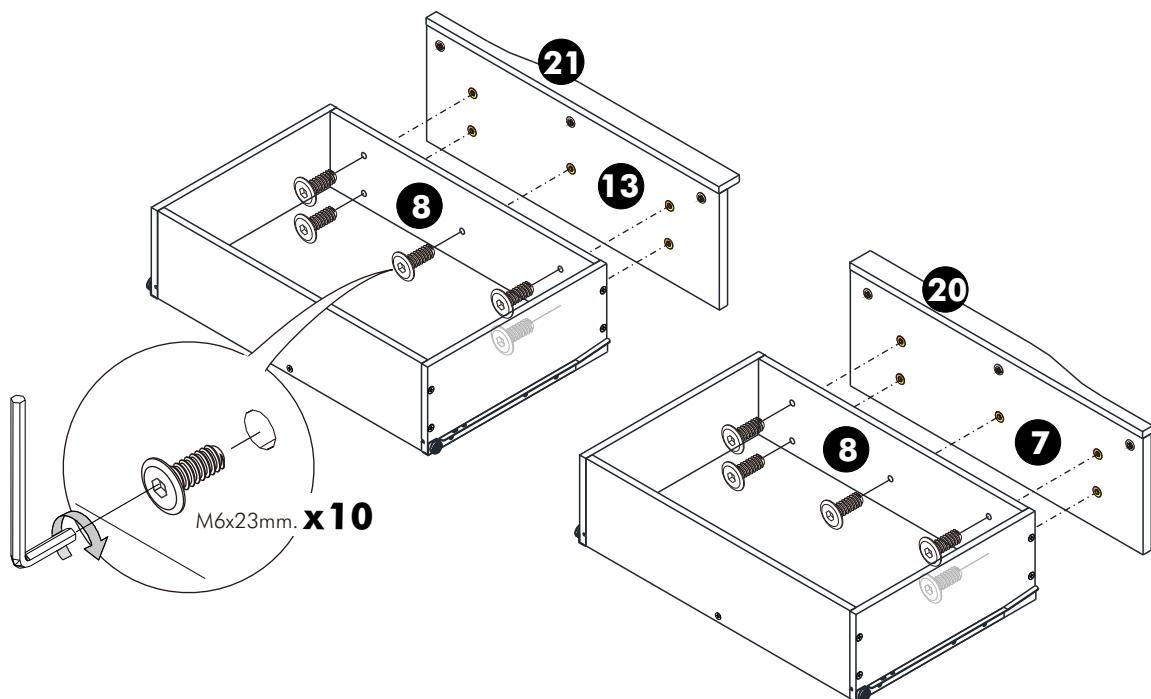
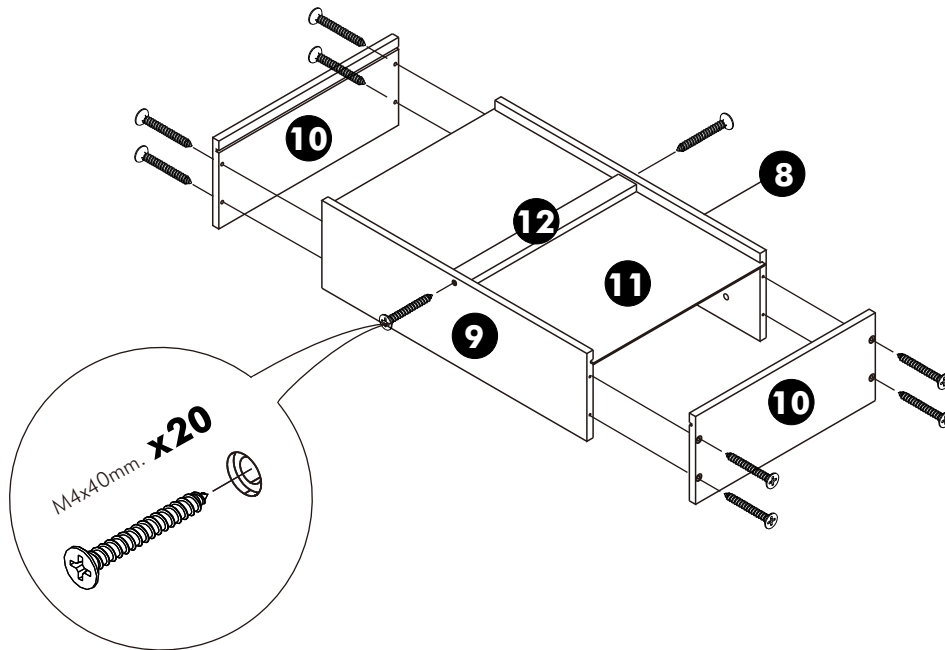
4.



ASSEMBLY

-DRAWER SET

2 set.



ASSEMBLY

-DOOR SET

