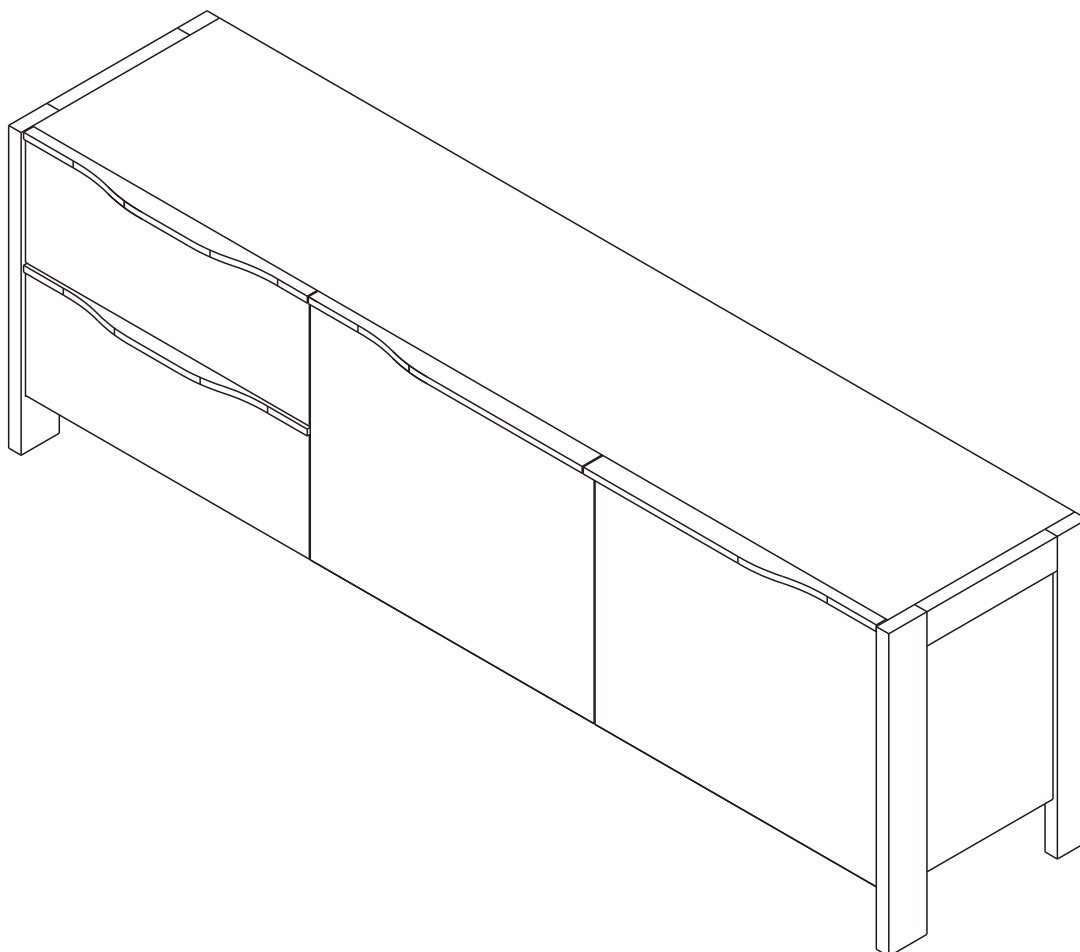


# STOCKHOLM-P

**TV Cabinet 160cm.**



# CONNECT SYSTEM

**1**

**2**

(Connecting bolts)

**3**

WHEN FITTING CAMS  
ENSURE STARTING POSITION IS CORRECT  
BEFORE YOU INSERT CONNECTING BOLT  
TURN CLOCKWISE UNTIL SECURE

✓

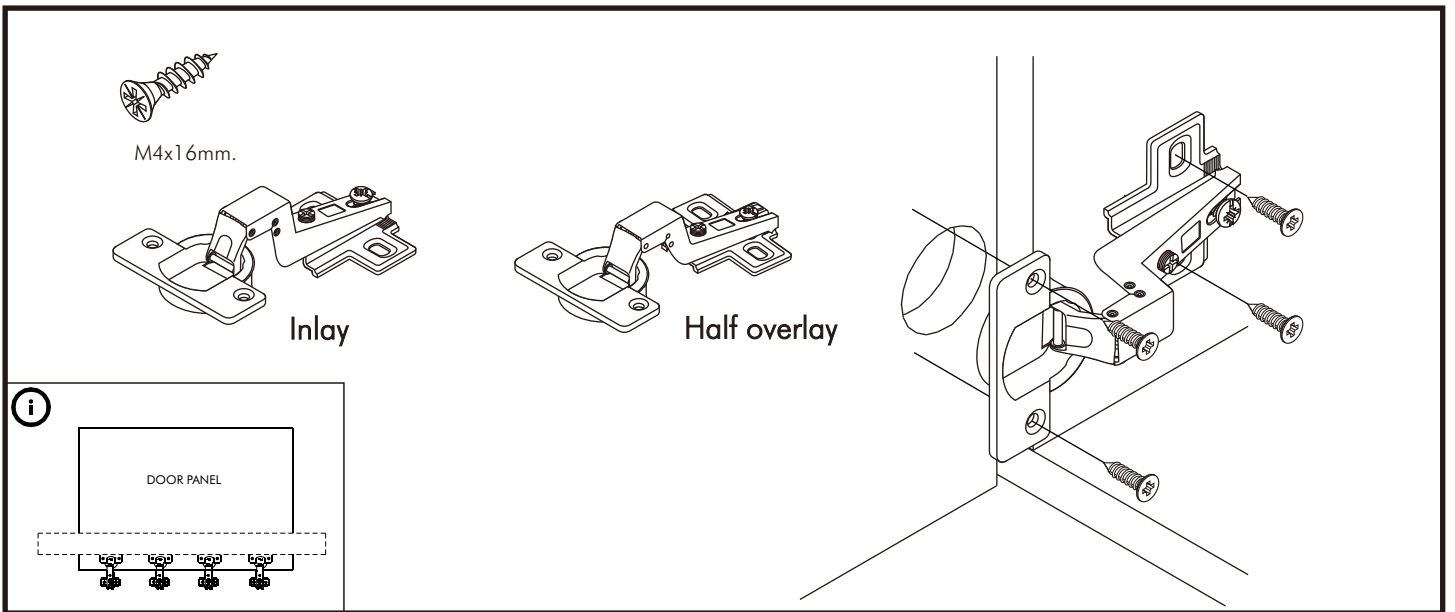
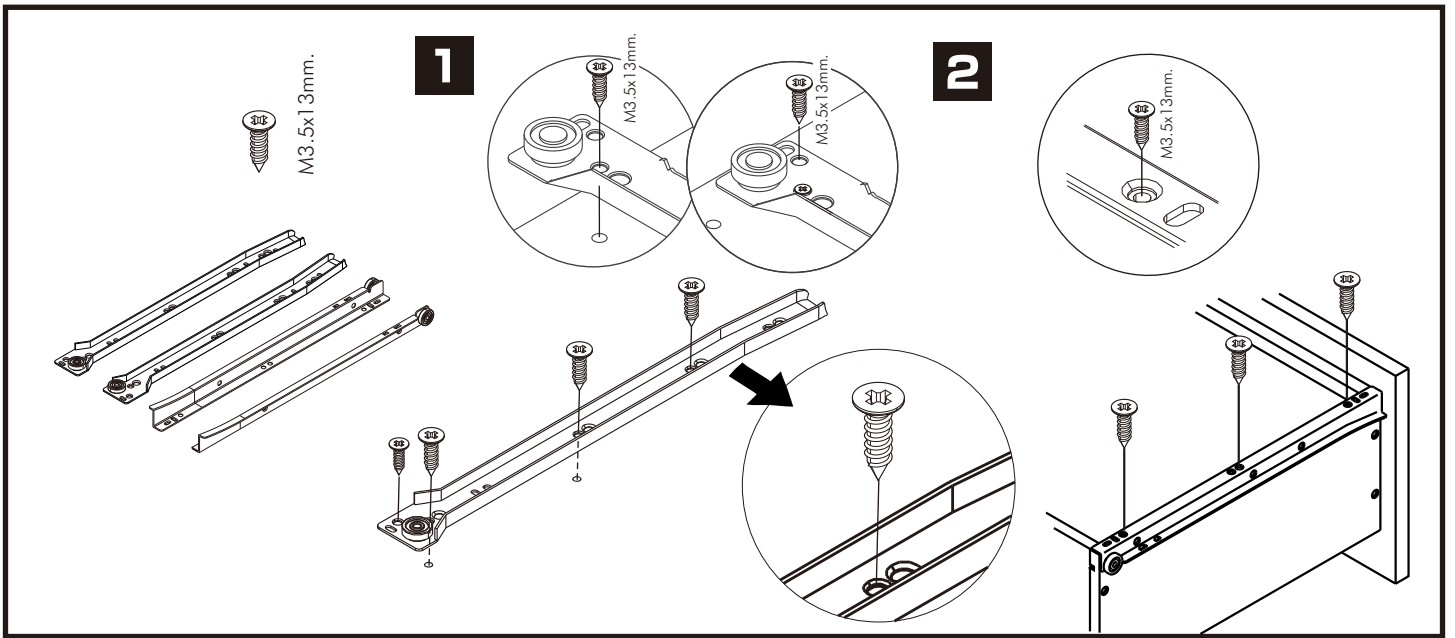
**CORRECT**

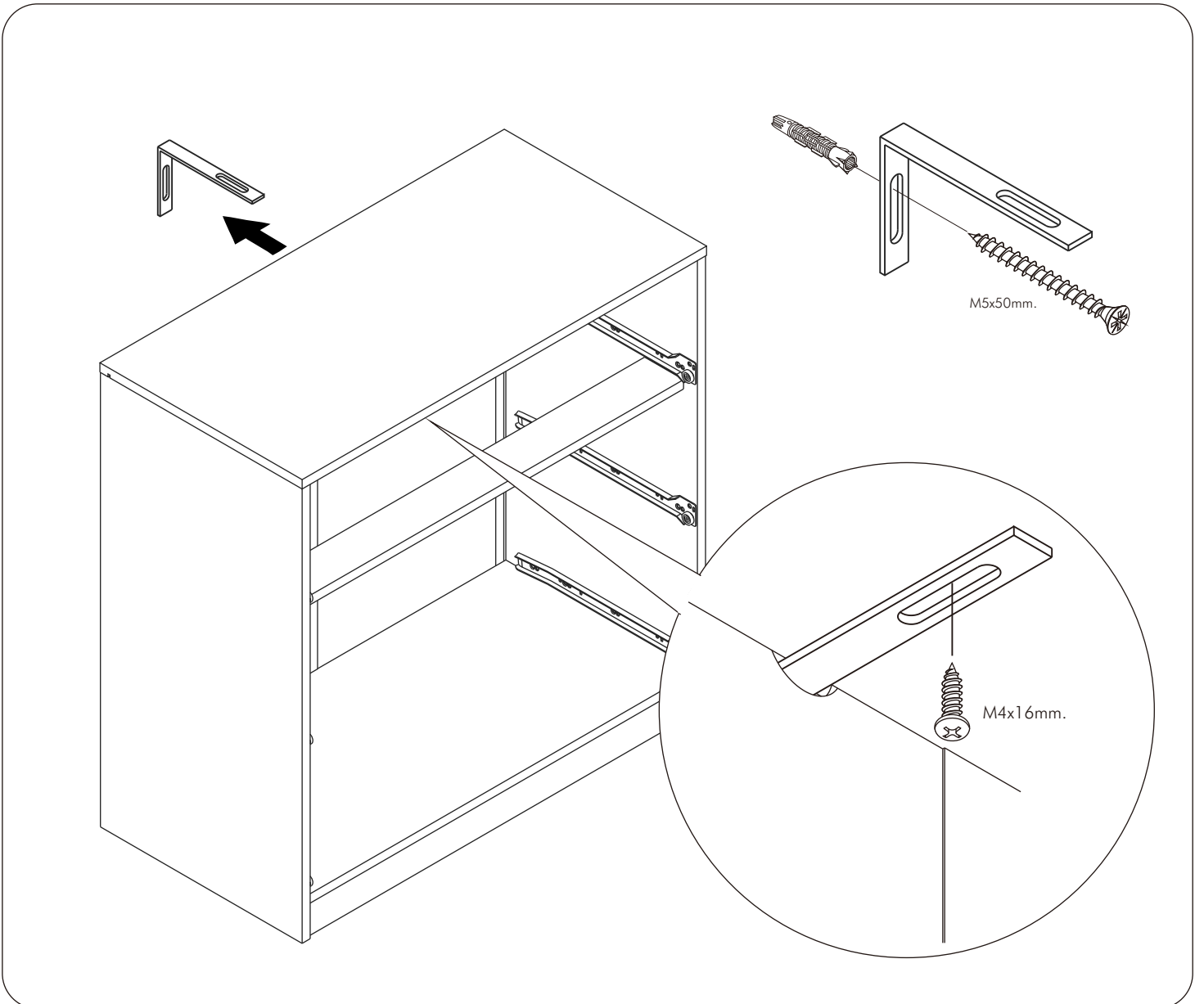
✗

**WRONG**

M4x16mm.

**i**





**The Standard for identifying which mounted safety fall protection fitting to use** **Note : That children's products must be installed with all anti-falling fittings.**

■ Mounted fall protection fittings



■ Category : Cabinet with open doors



■ Category : Chest of drawers

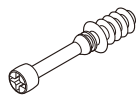


■ Category : Sliding door cabinet / Open cabinet



# HARDWARE

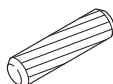
## -BODY SET



**x 24**



**x 24**



**x 24**



M4x16mm.

**x 13**



**x 2**

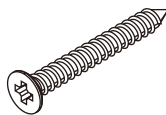


**x 7**



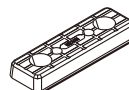
M3.5x20mm.

**x 7**



M4x40mm.

**x 8**

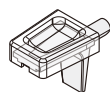


**x 4**

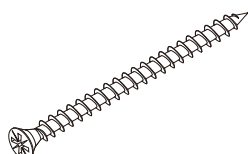


M4x16mm.

**x 8**

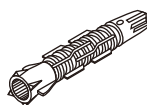


**x 8**

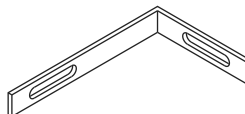


M5x50mm.

**x 1**

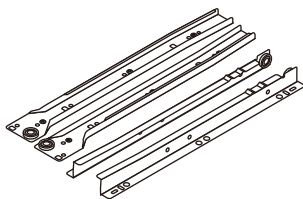


**x 1**



**x 1**

## -DRAWER SET

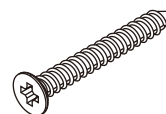


**x 2**



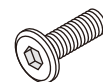
M3.5x13mm.

**x 28**



M4x40mm.

**x 20**



TFL4 M6x23

**x 10**



**x 1**

## -DOOR SET



Inlay

**x 2**



Half overlay

**x 2**



M4x16mm.

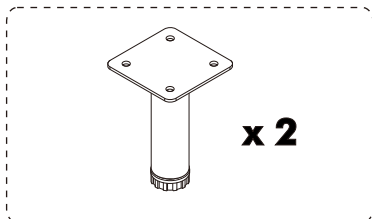
**x 16**



**x 4**



**x 8**

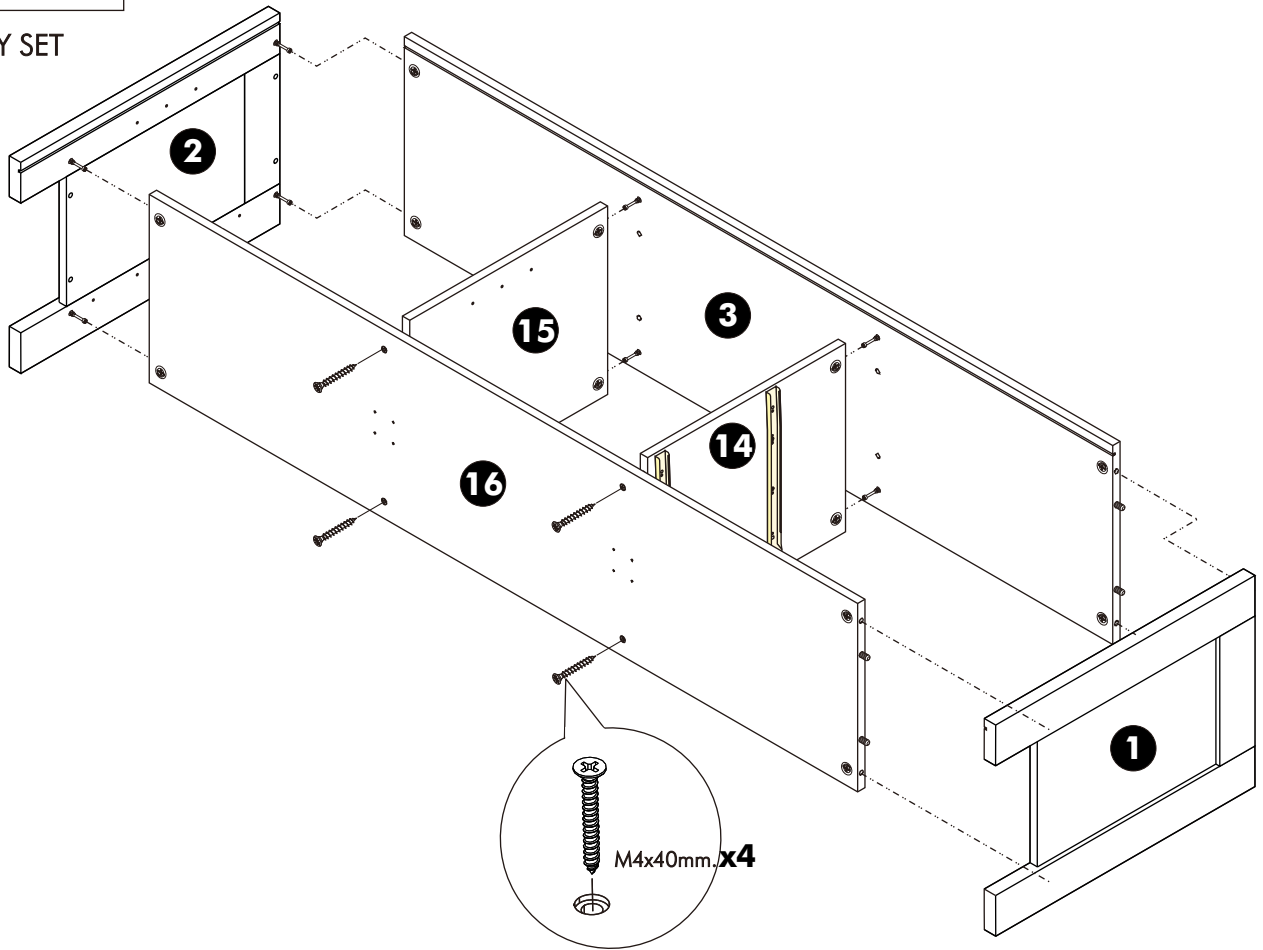


**x 2**

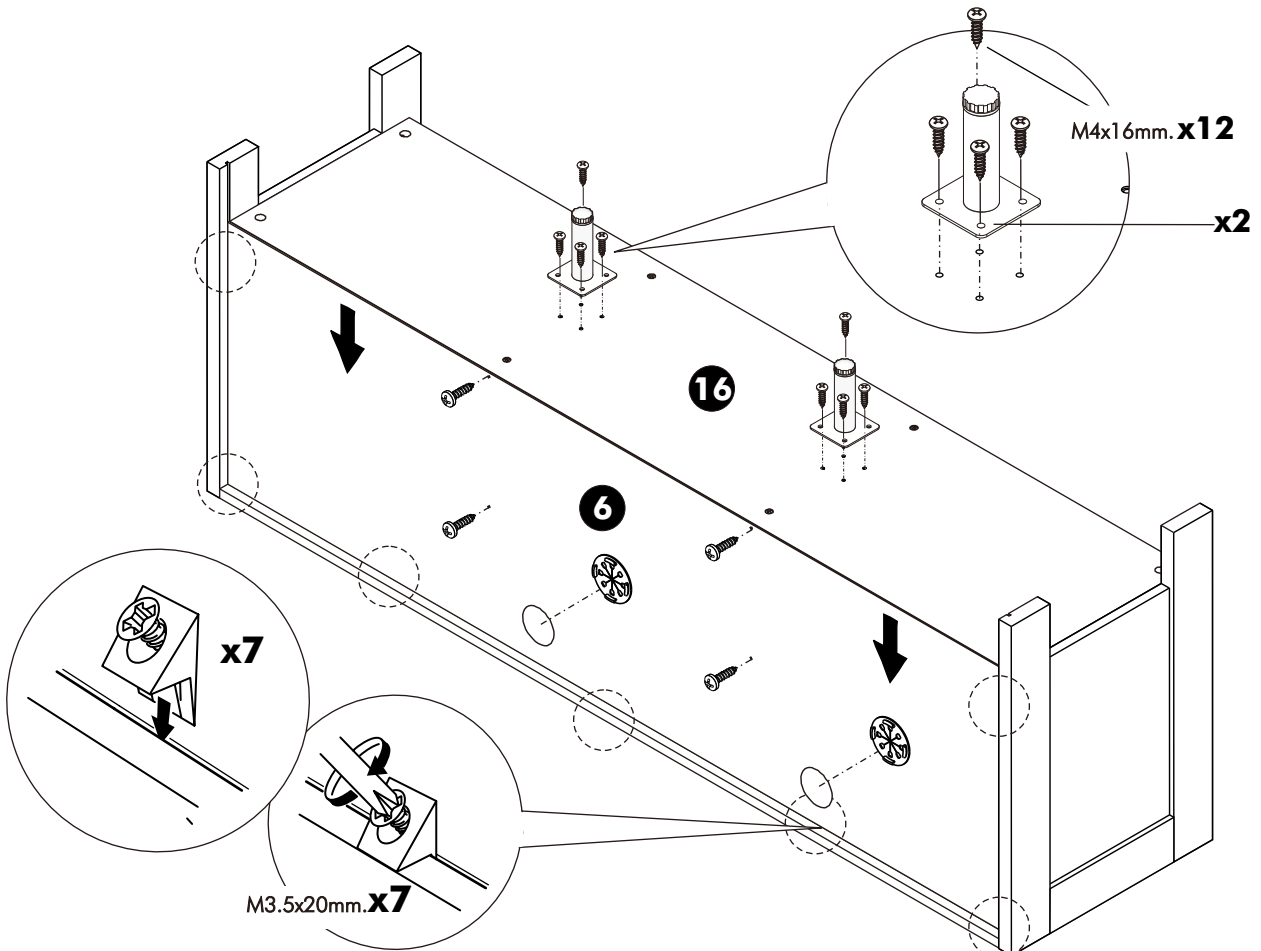
# ASSEMBLY

-BODY SET

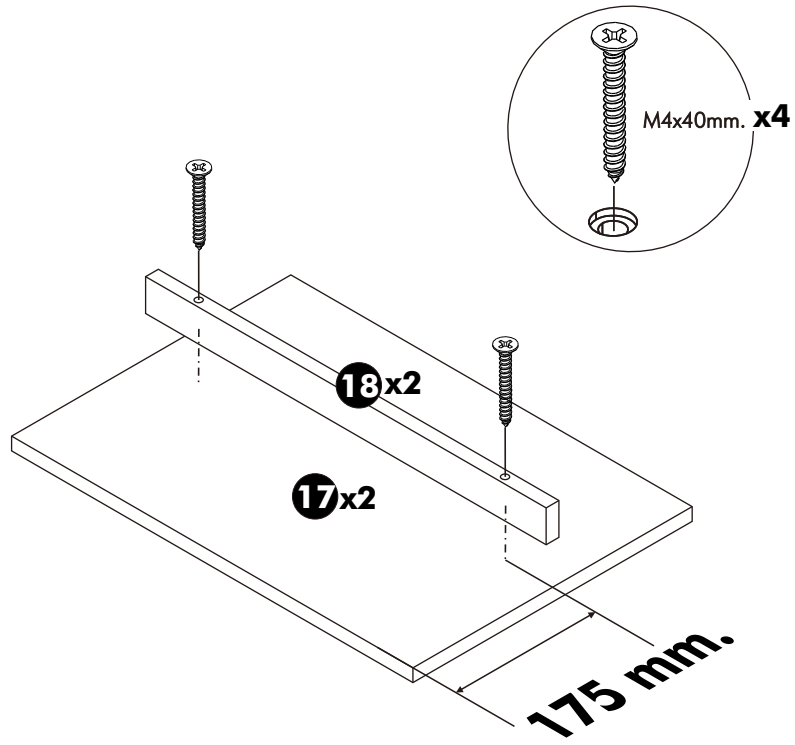
1.



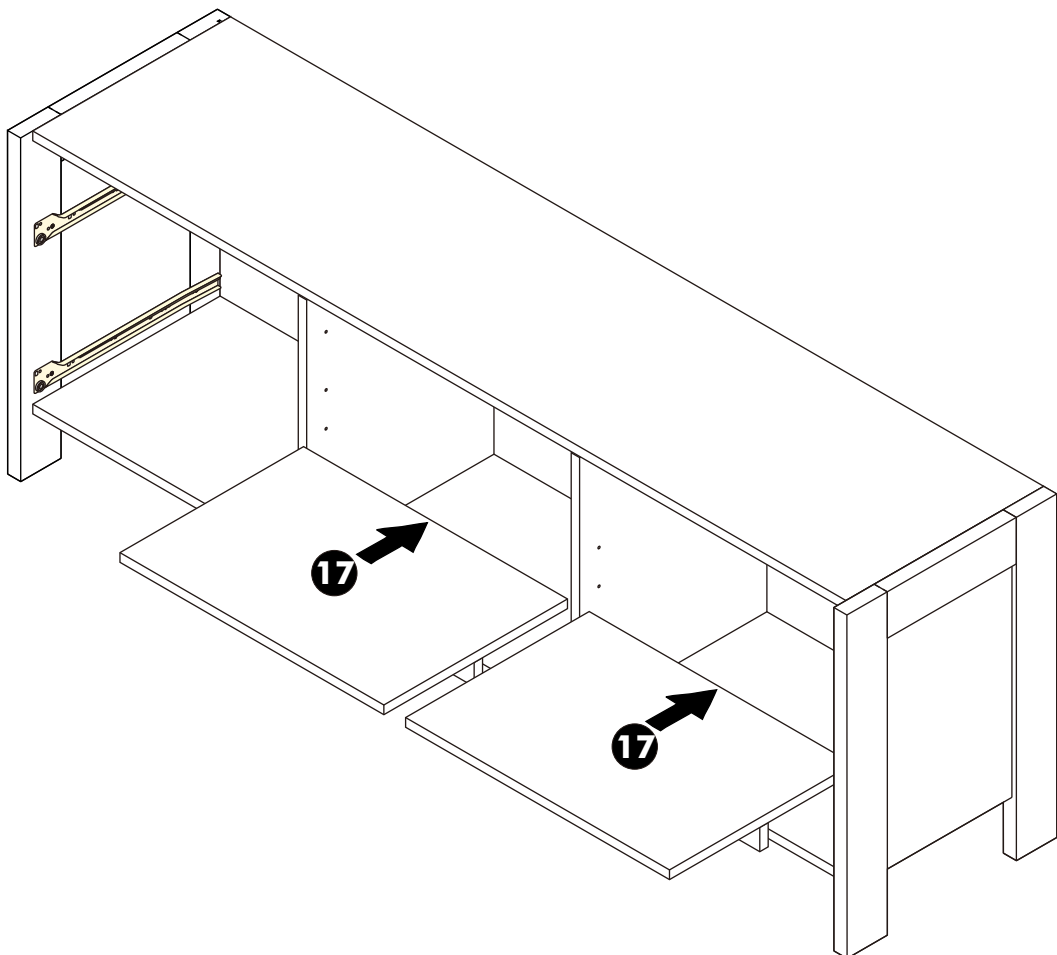
2.



**3.**



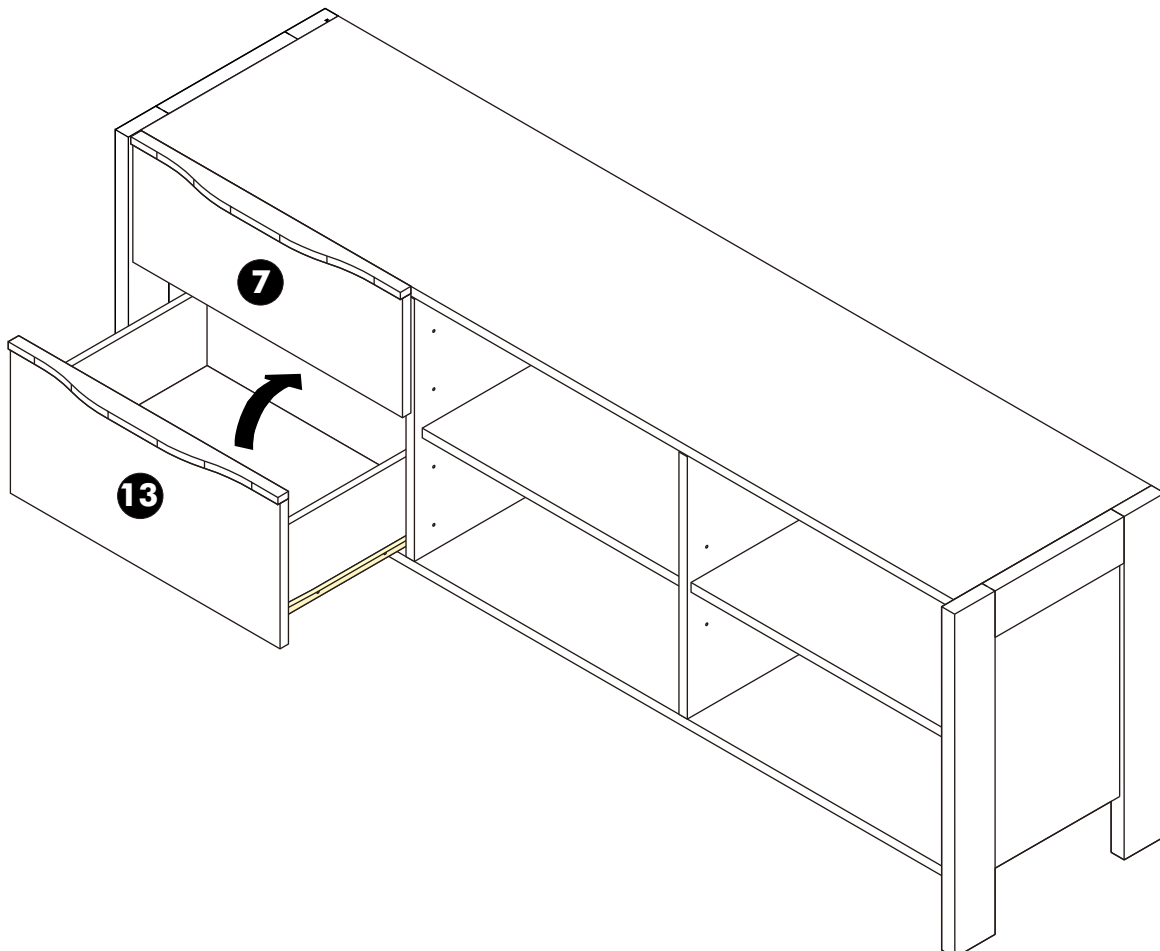
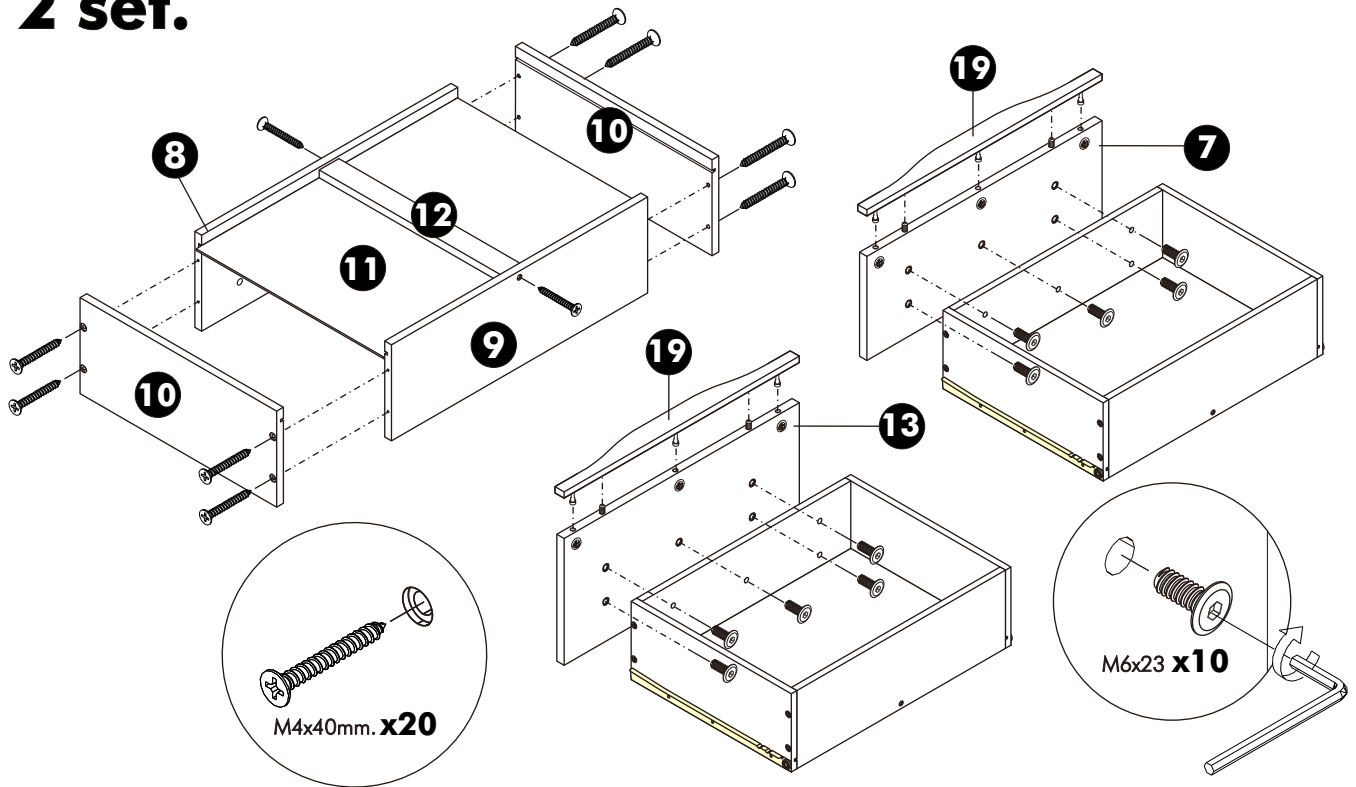
**4.**



# ASSEMBLY

-DRAWER SET

## 2 set.



# ASSEMBLY

-DOOR SET

