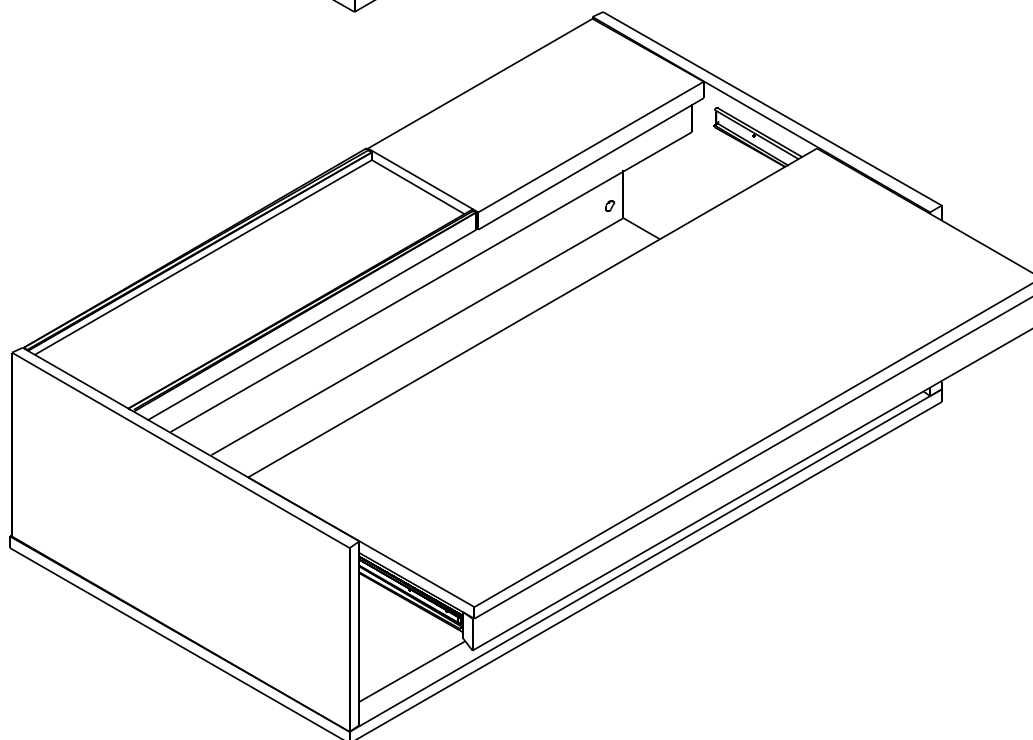
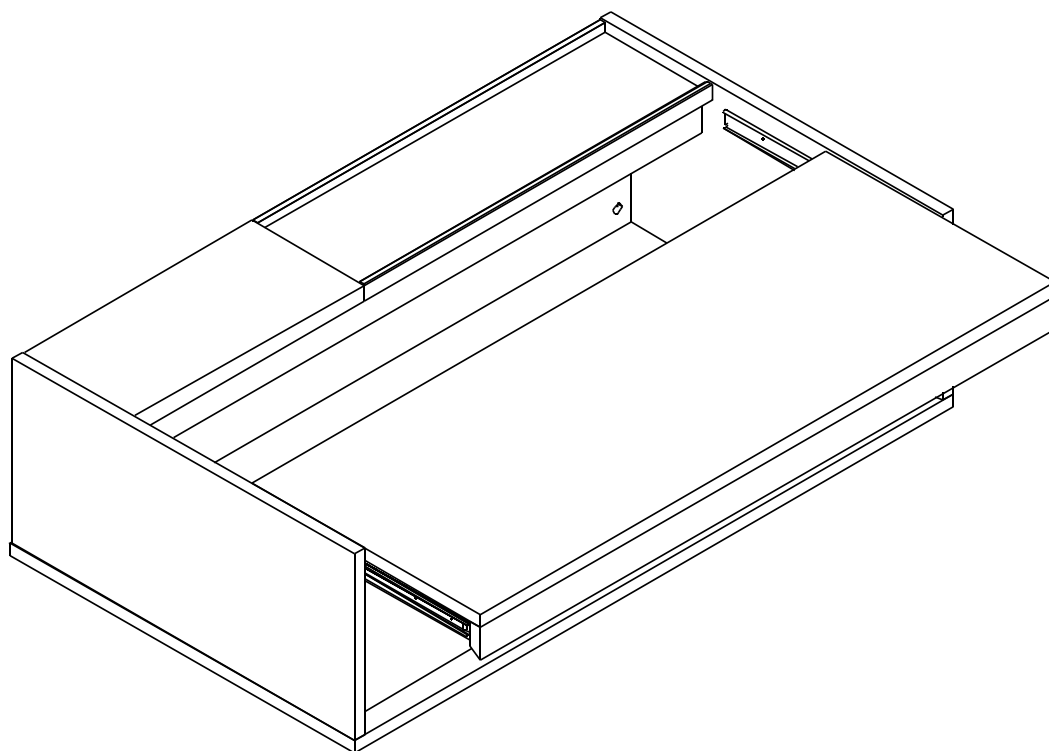
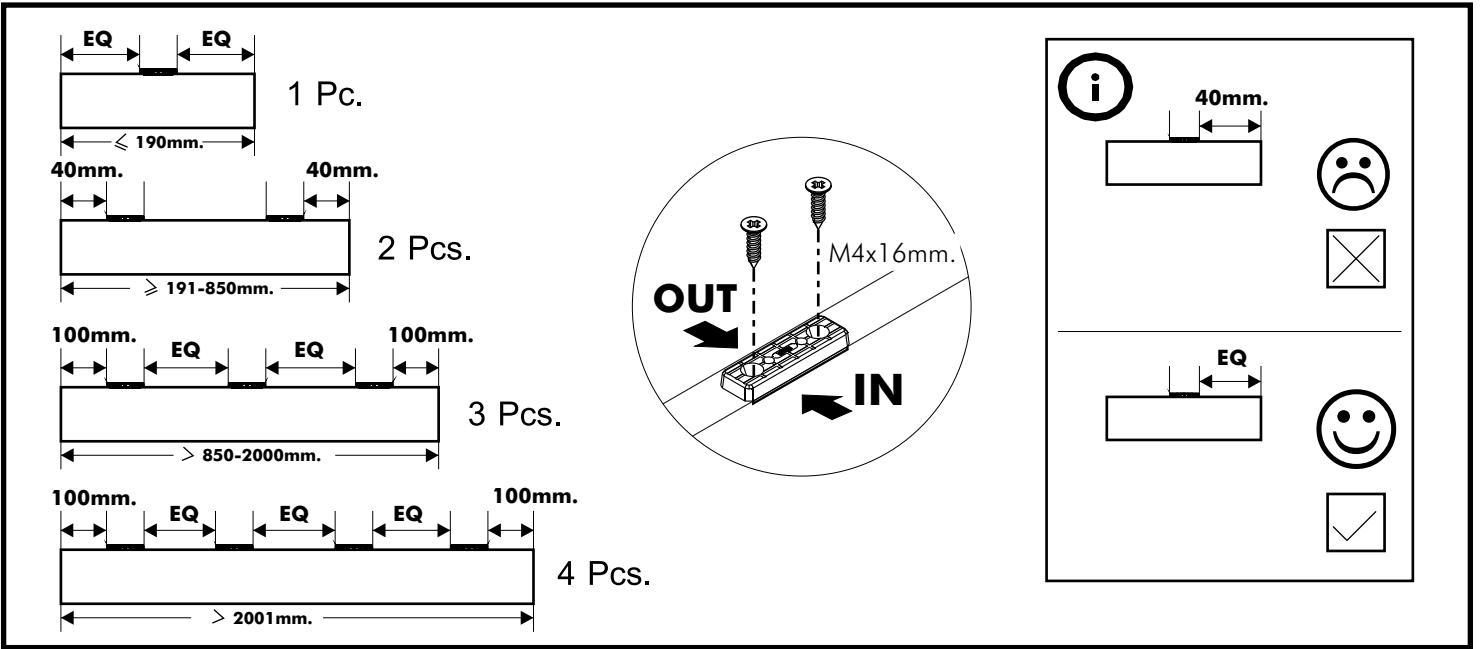


QUATTO-P

Coffee table



CONNECT SYSTEM



HARDWARE

-BODY SET

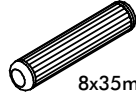


x21



19mm.

x21



8x35mm.

x32

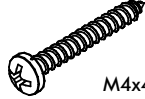


x4



M4x50

x12



M4x40

x17



M4x25

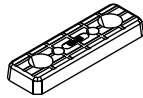
x18



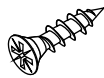
x3



x6

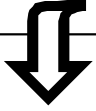
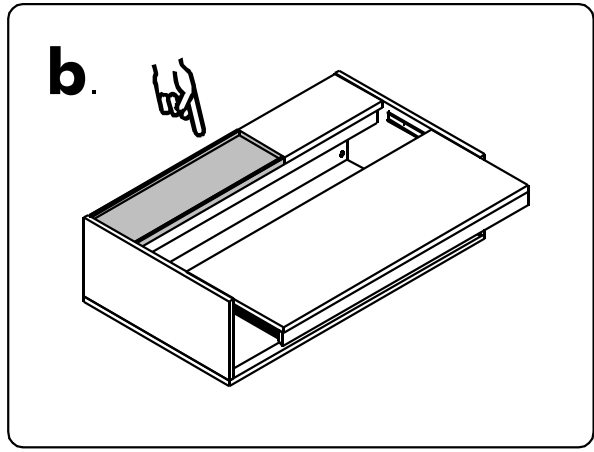
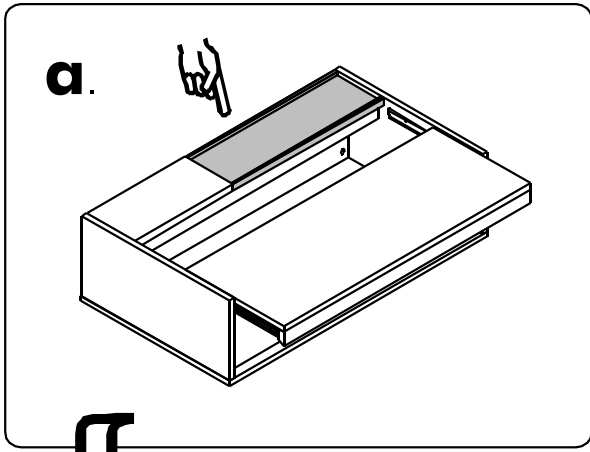


x8

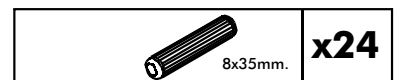
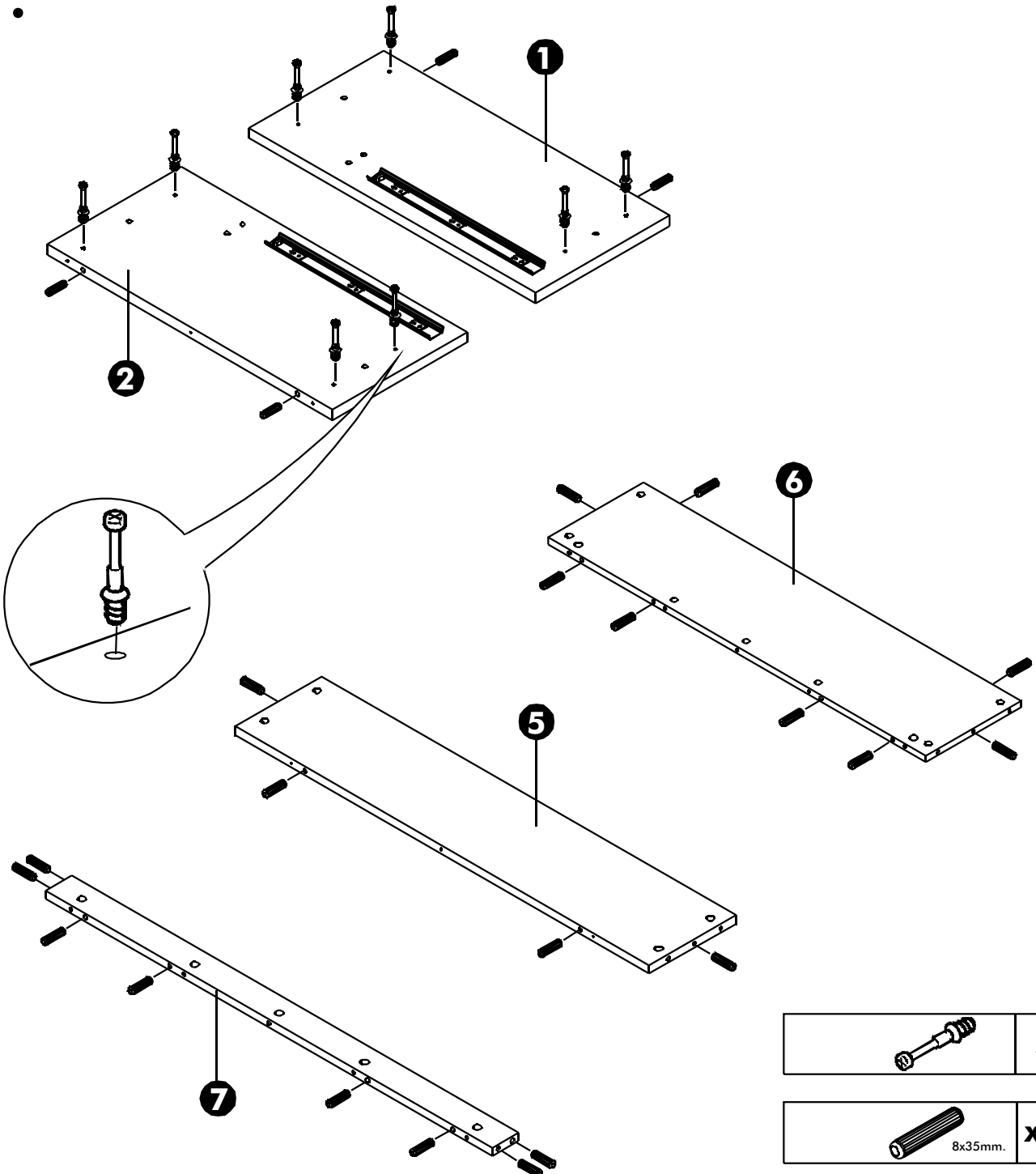


M4x16mm.

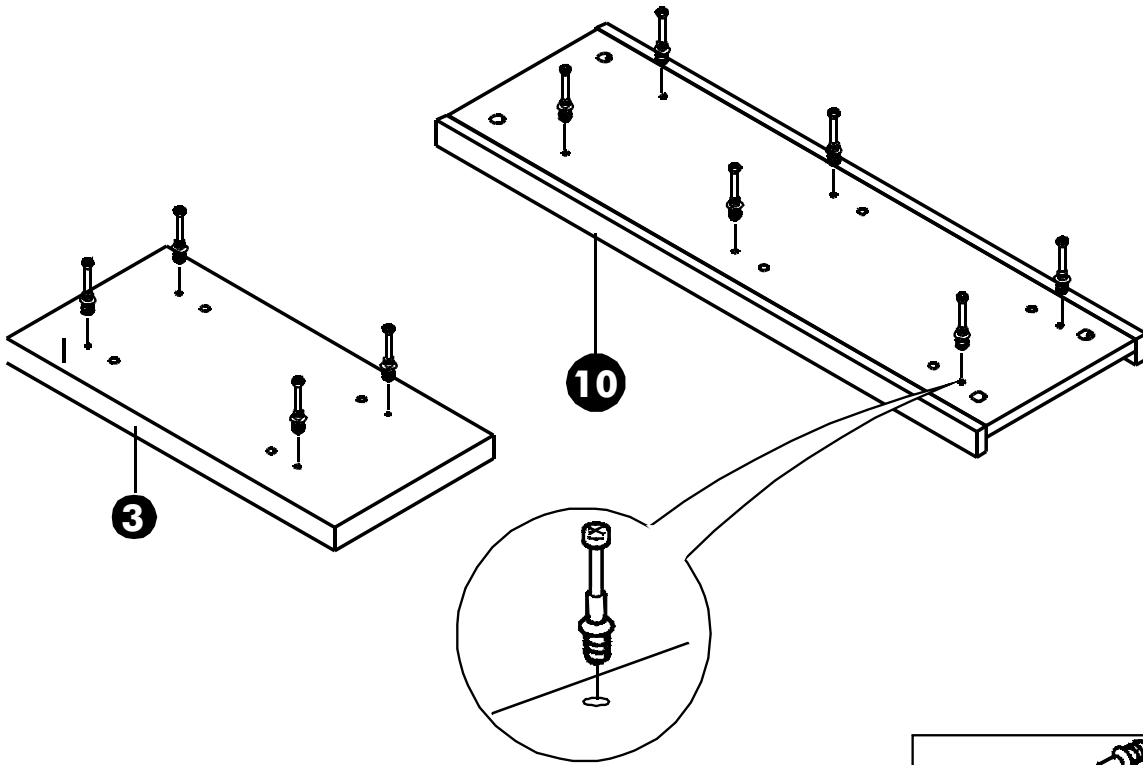
x 16



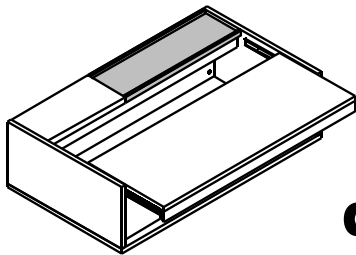
1.



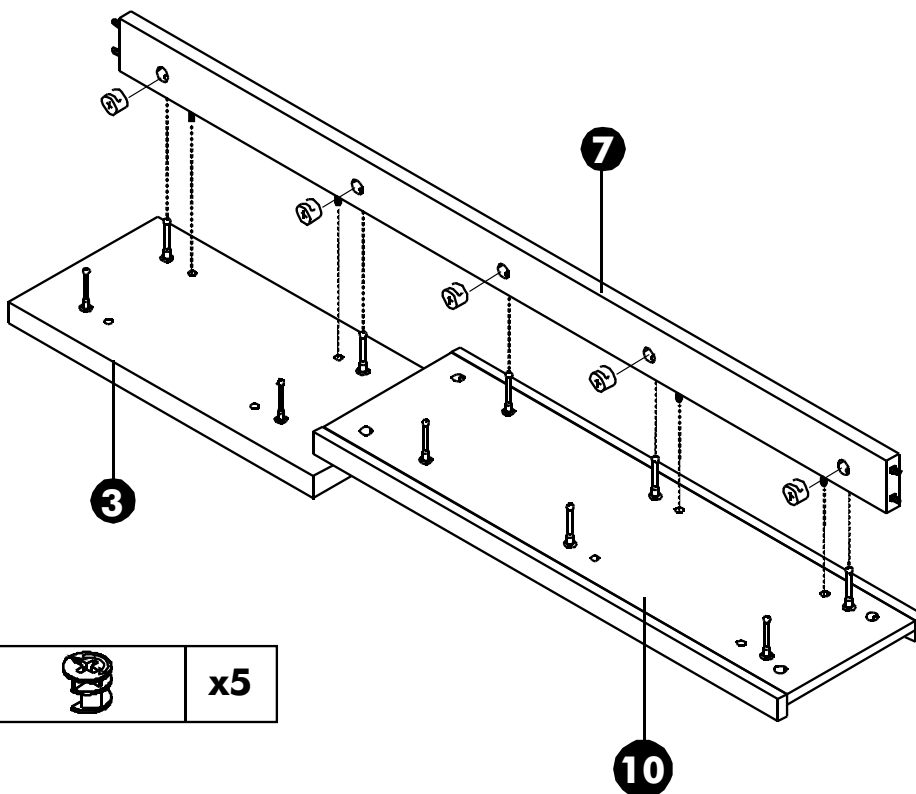
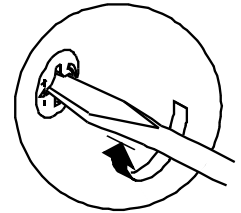
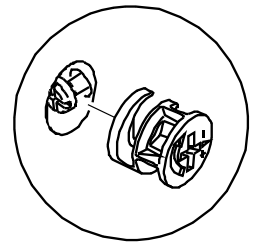
2.



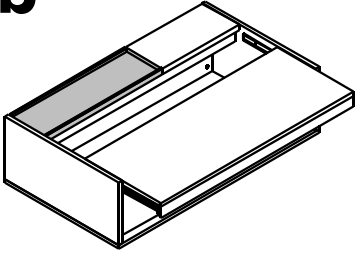
3.a



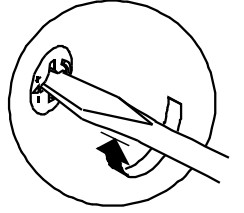
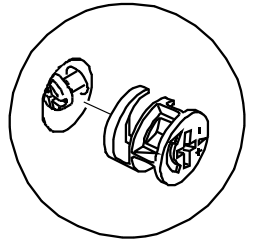
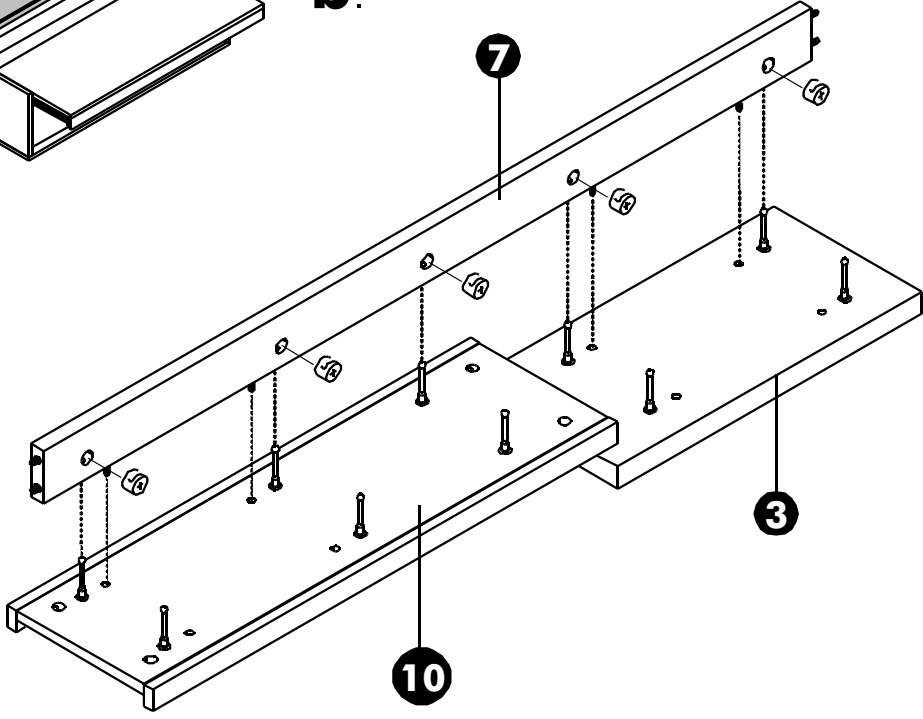
a.



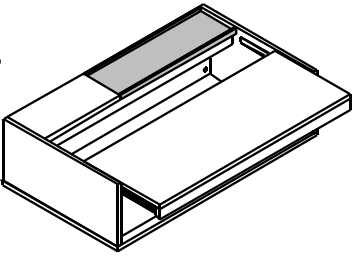
3.b



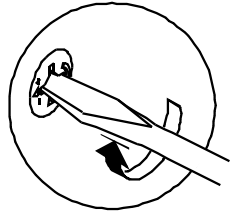
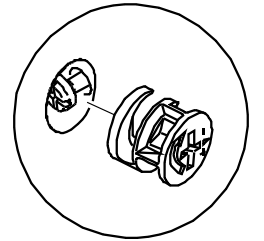
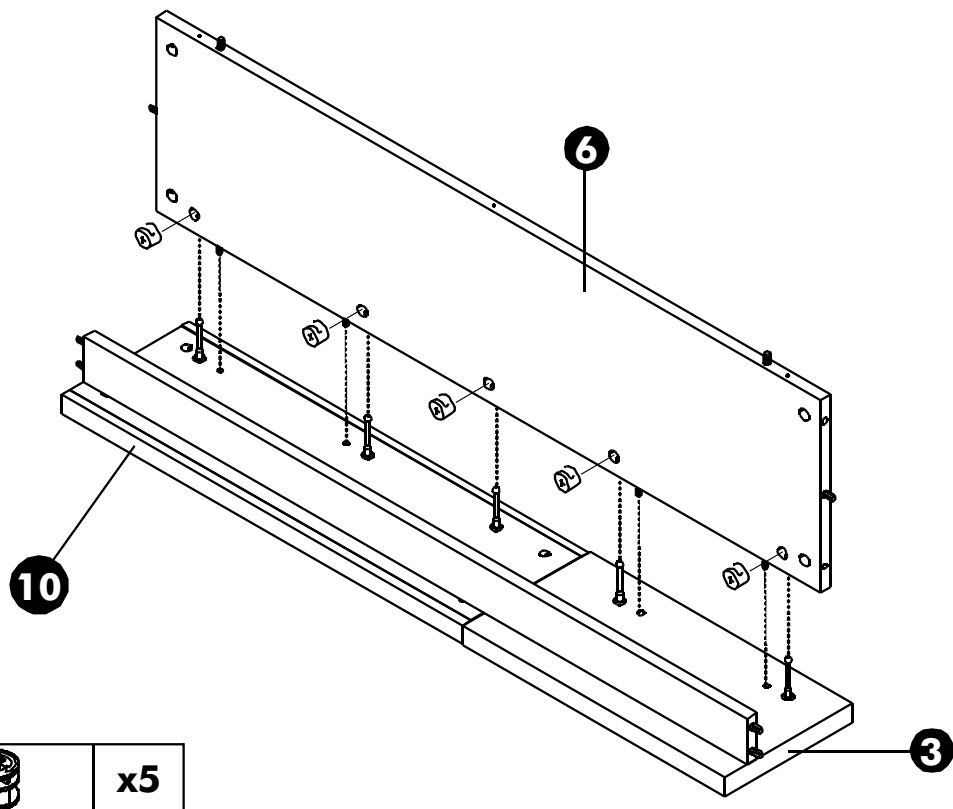
b.



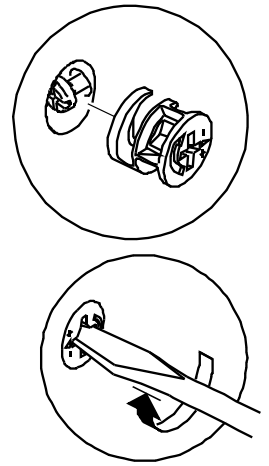
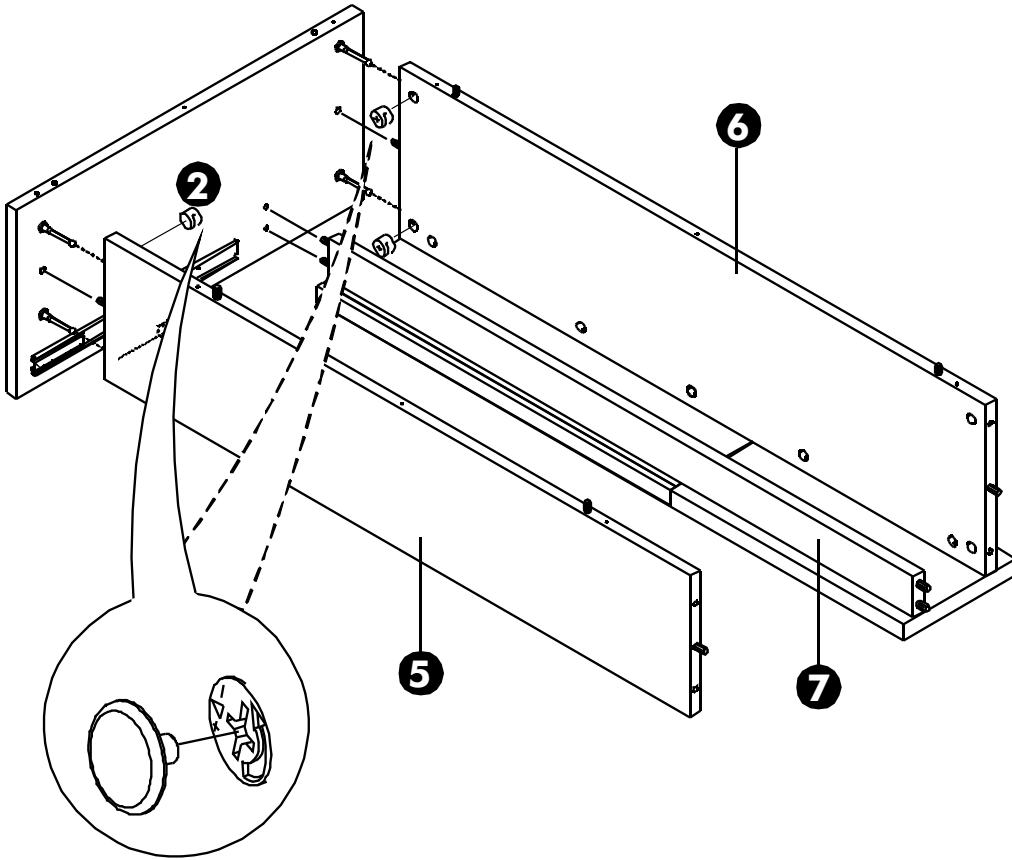
4.



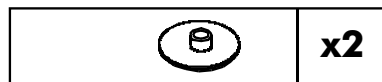
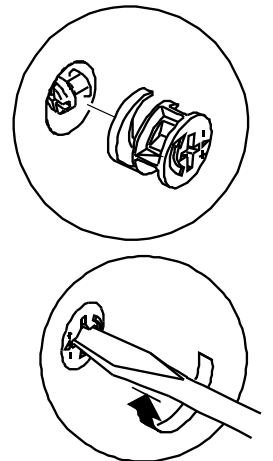
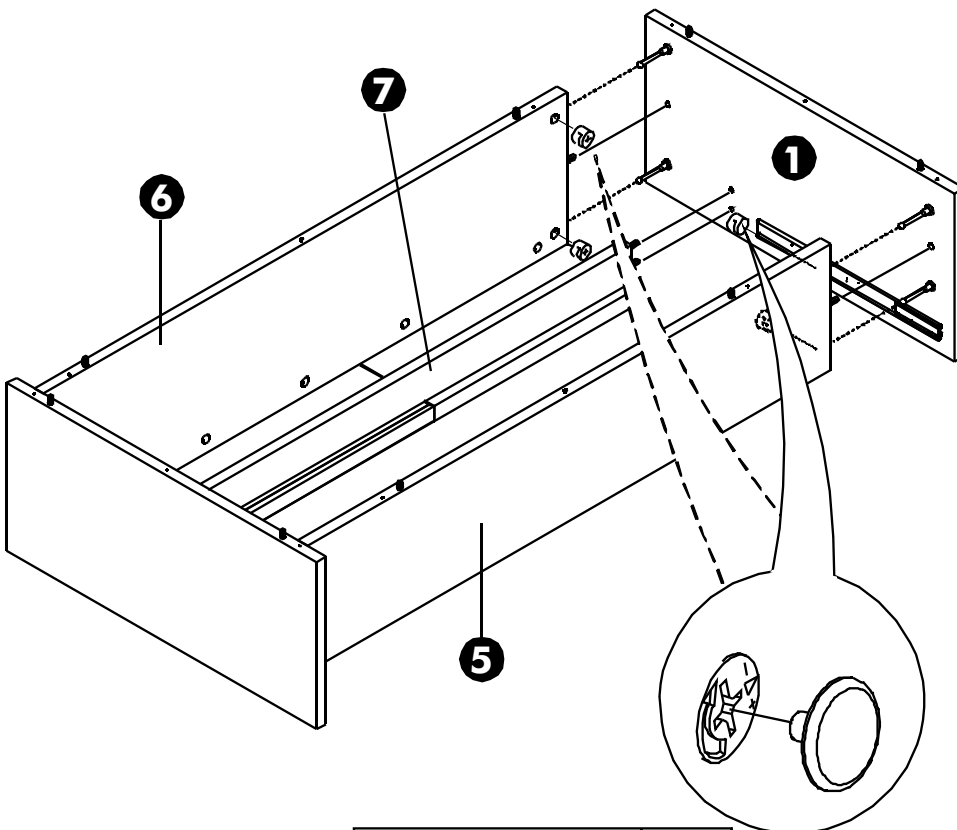
a.



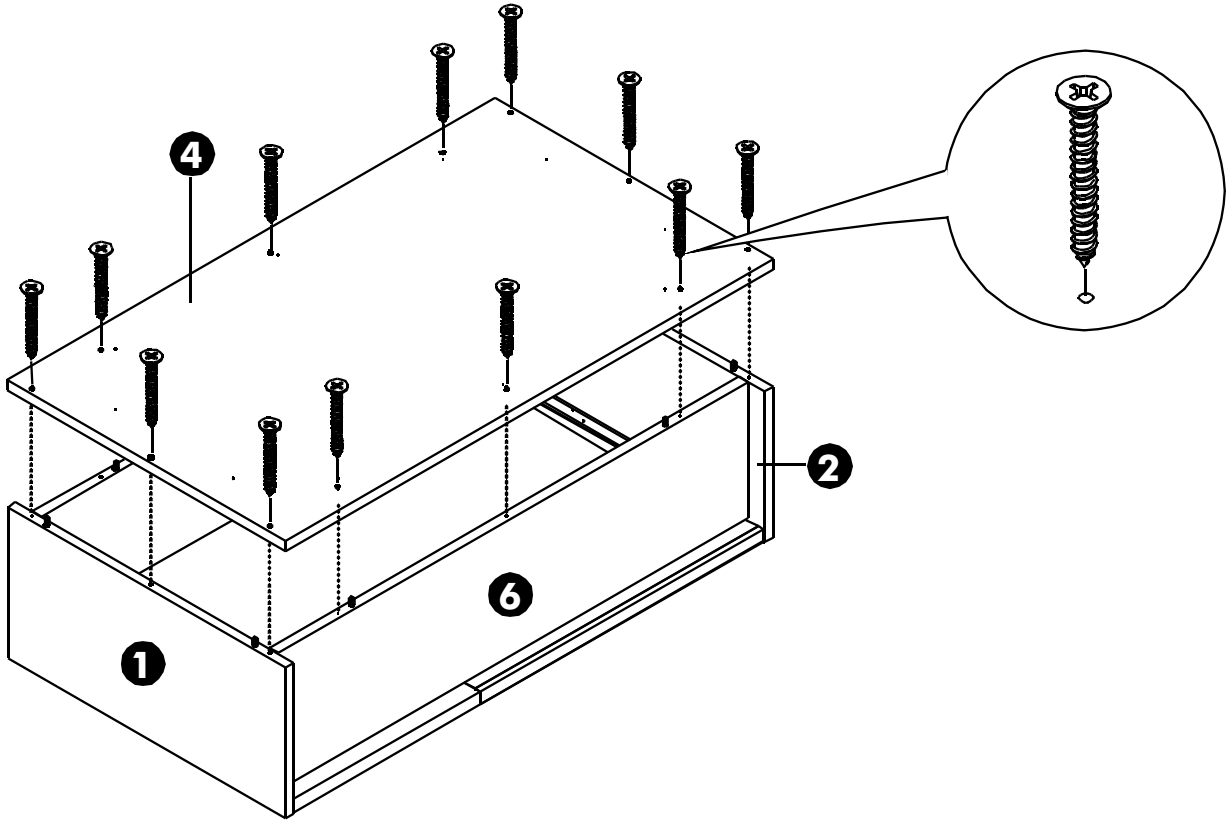
5.



6.

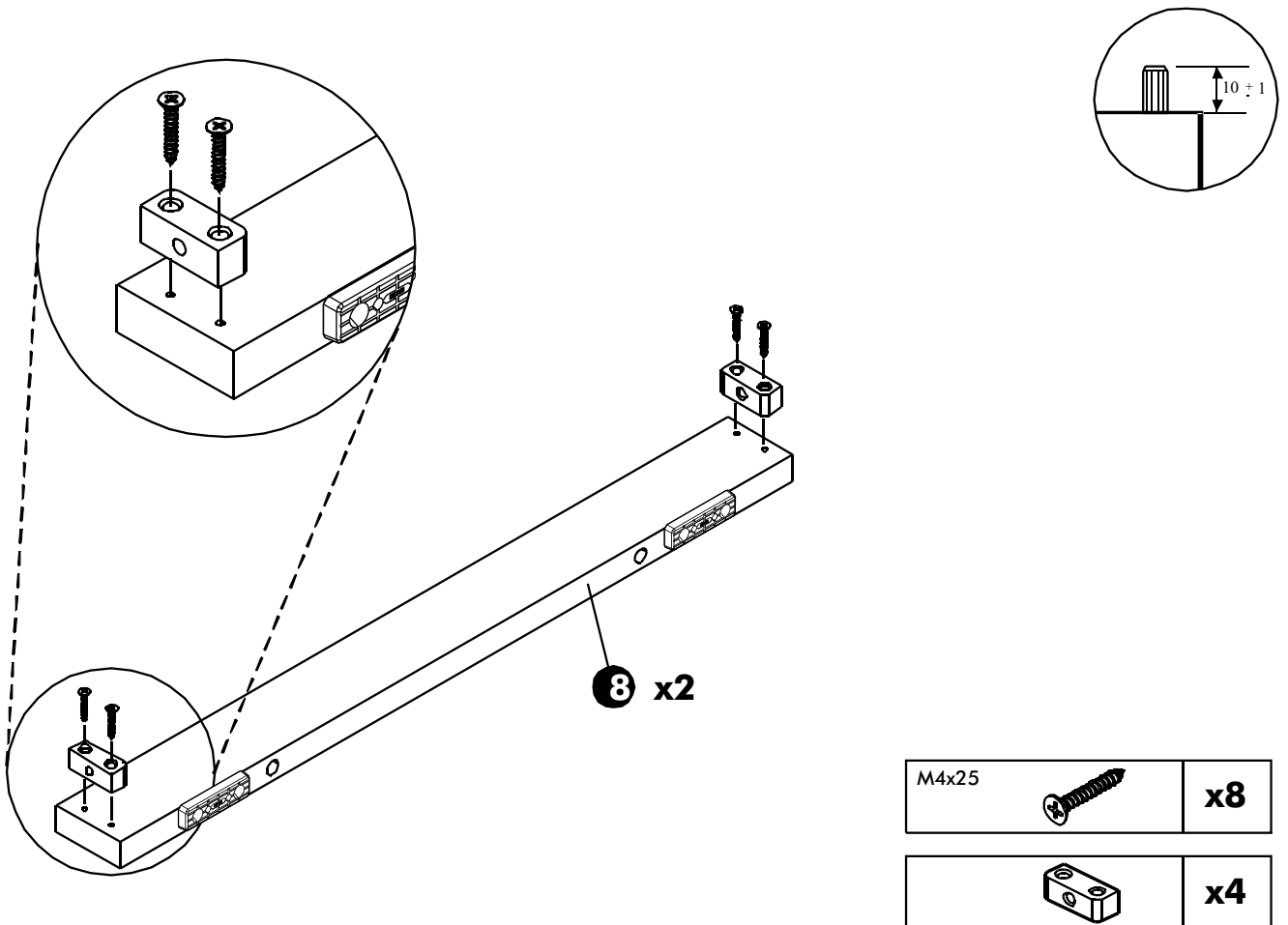



7.




M4x50		x12
-------	--	-----

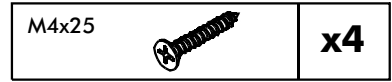
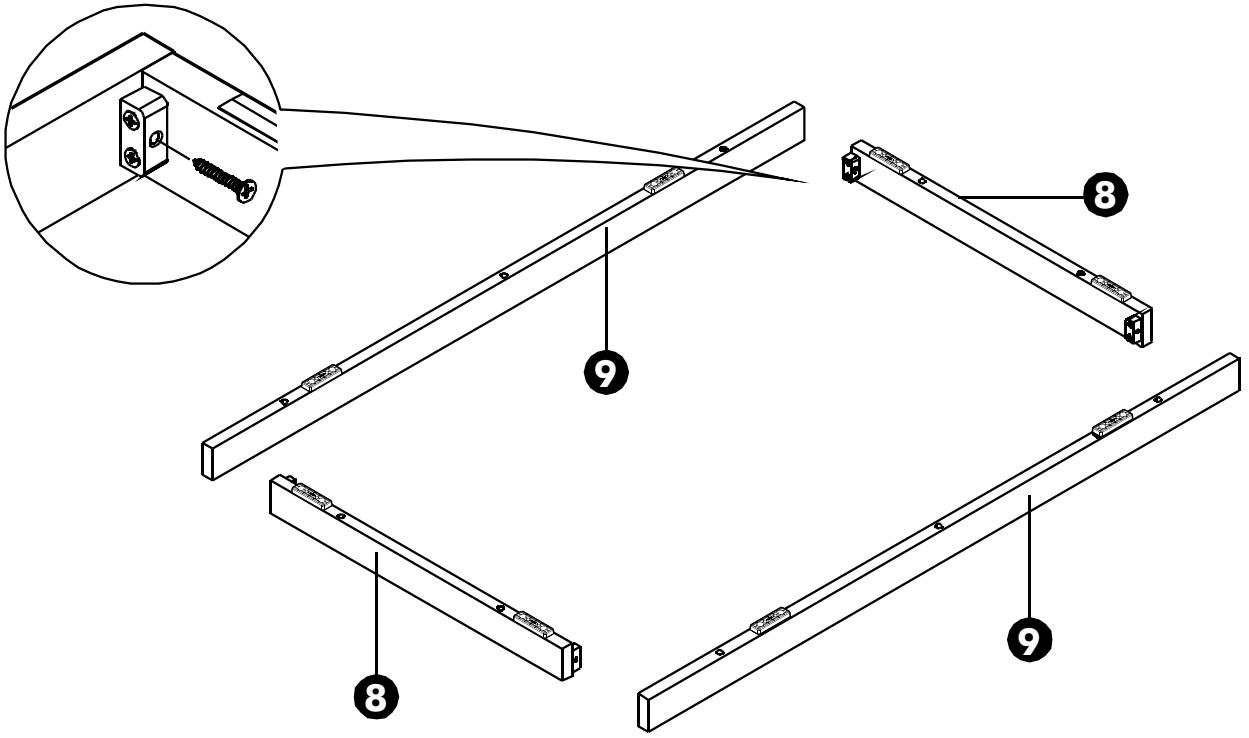
8.



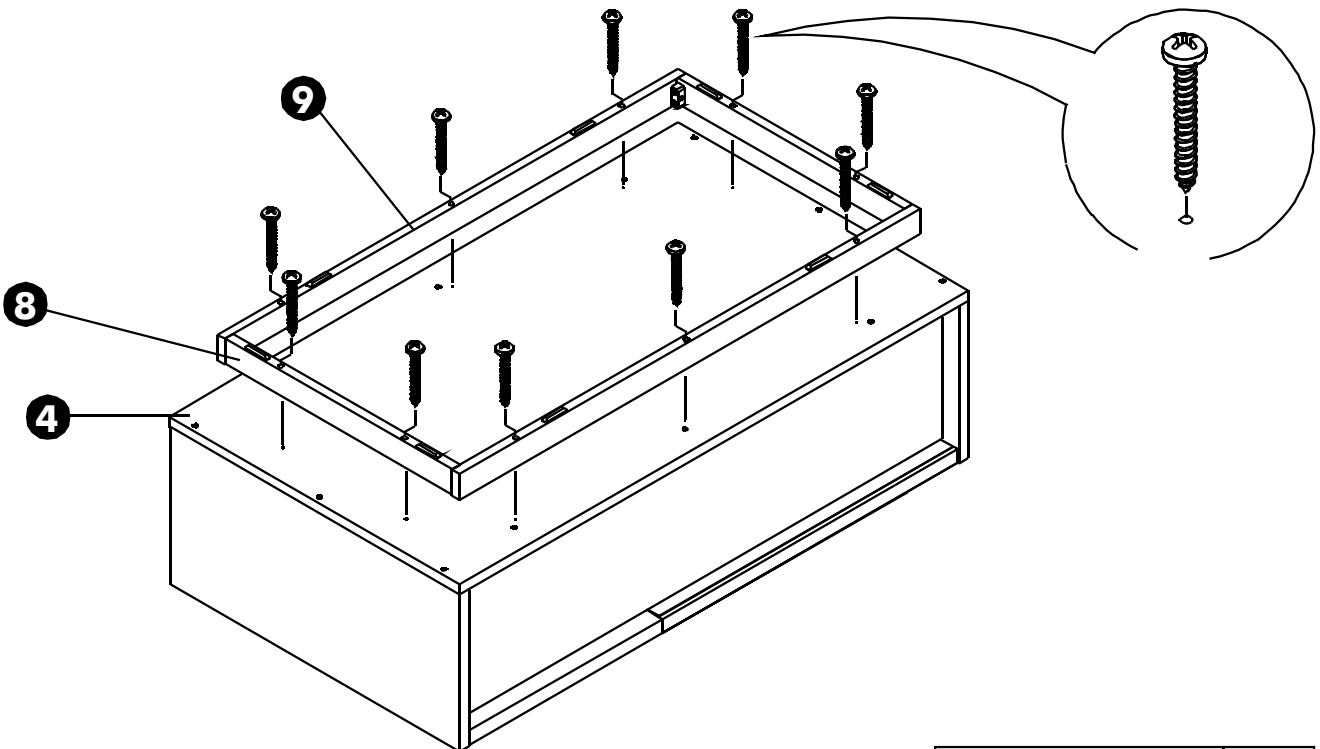
M4x25		x8
-------	---	----

	x4
---	----

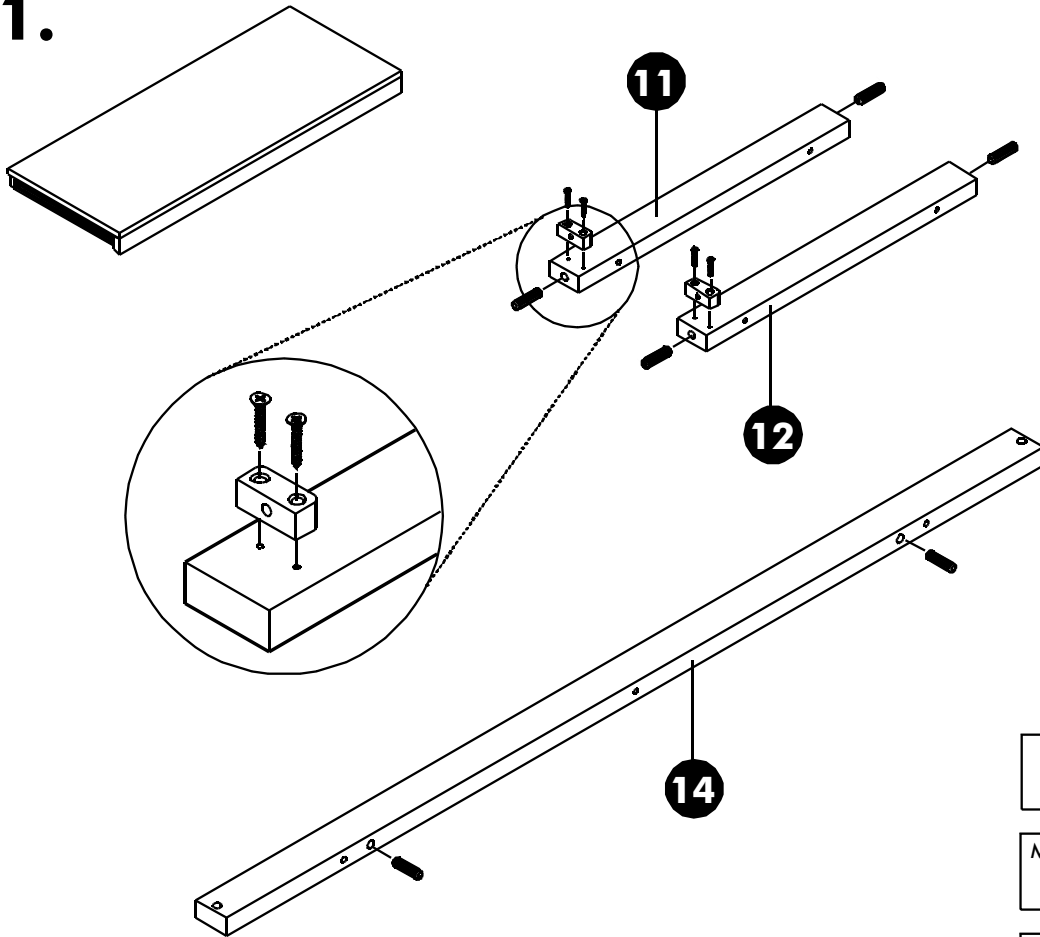
9.



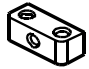


10.

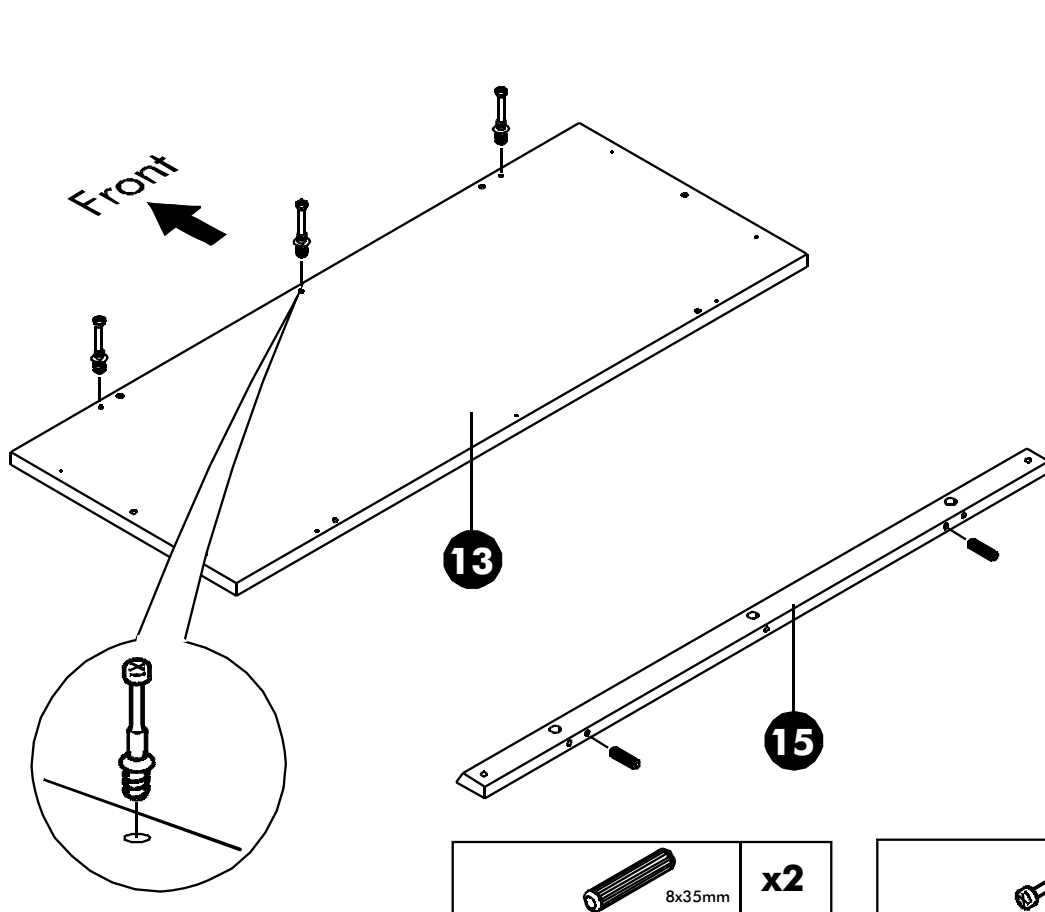


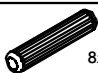
11.



	8x35mm	x6
	M4x25	x4
		x2

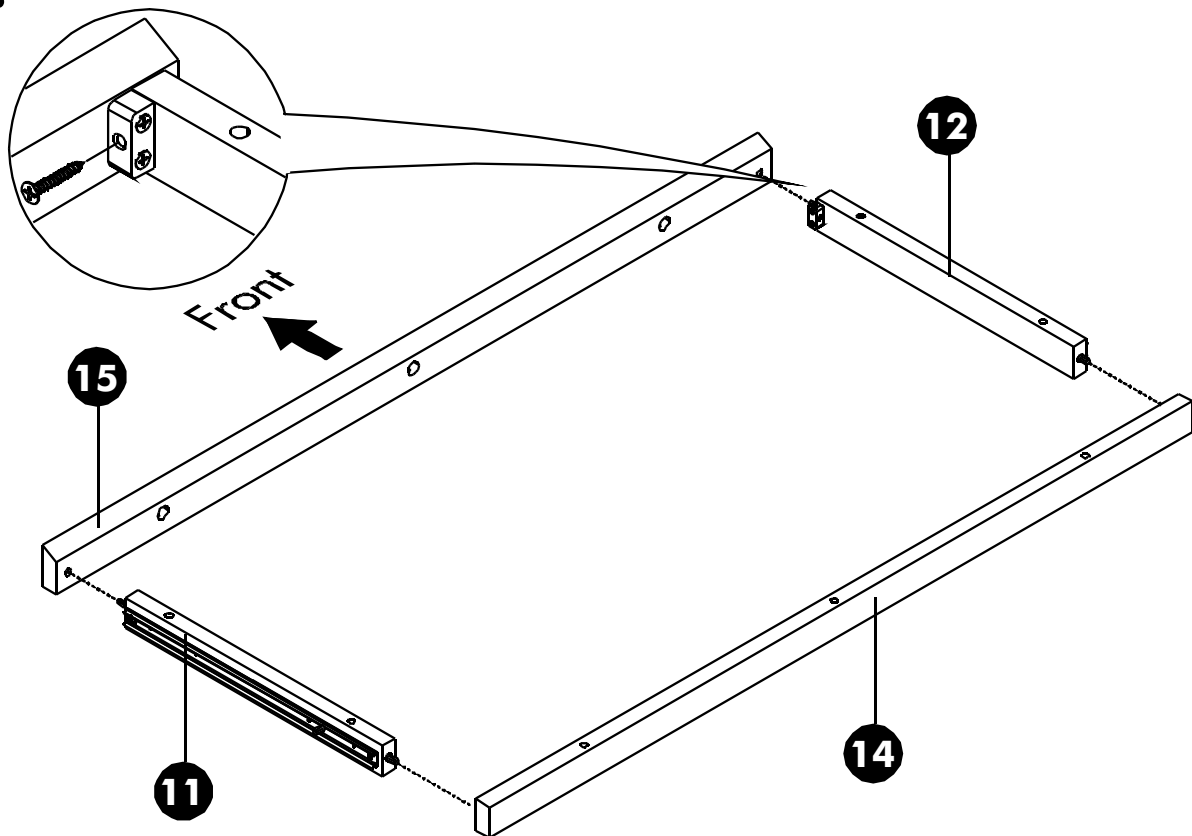
12.



	8x35mm	x2
---	--------	-----------

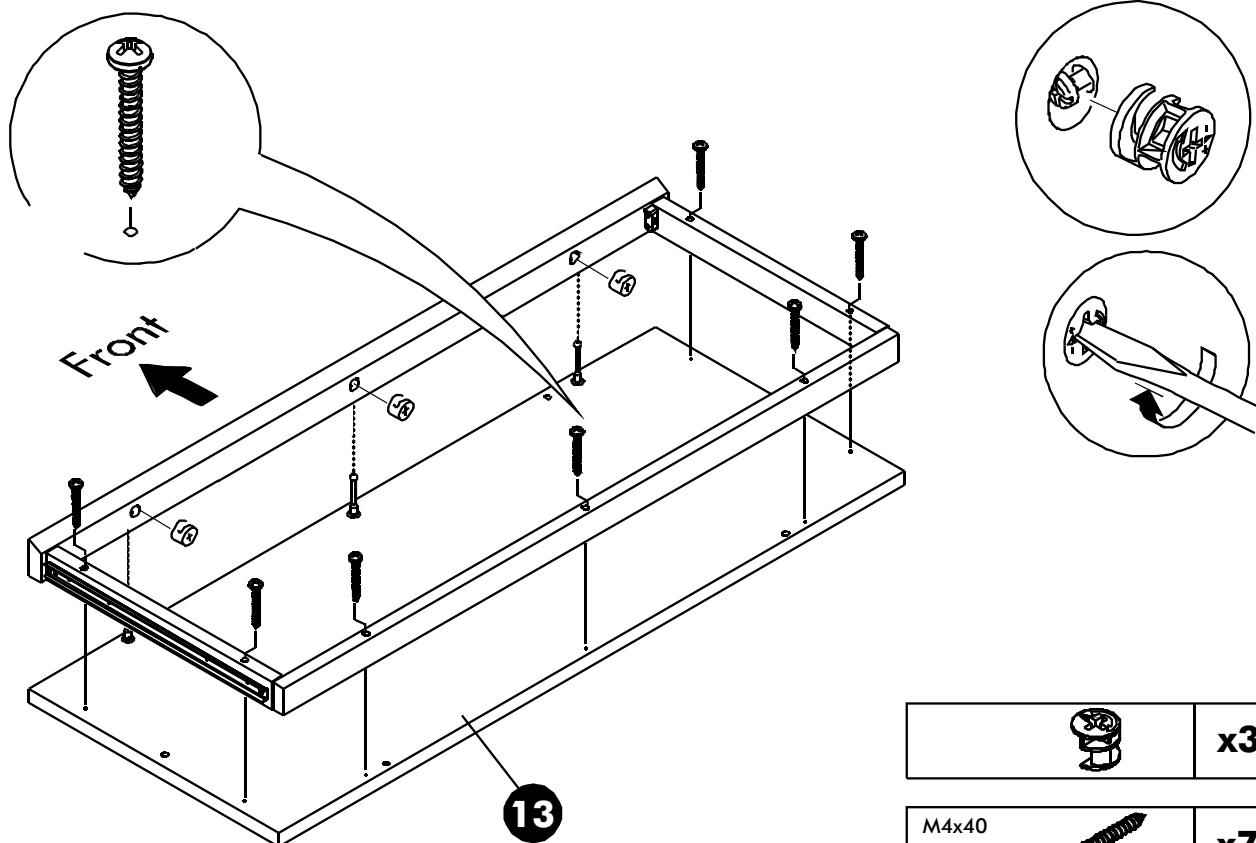
		x3
---	--	-----------


13.



M4x25		x2
-------	---	----

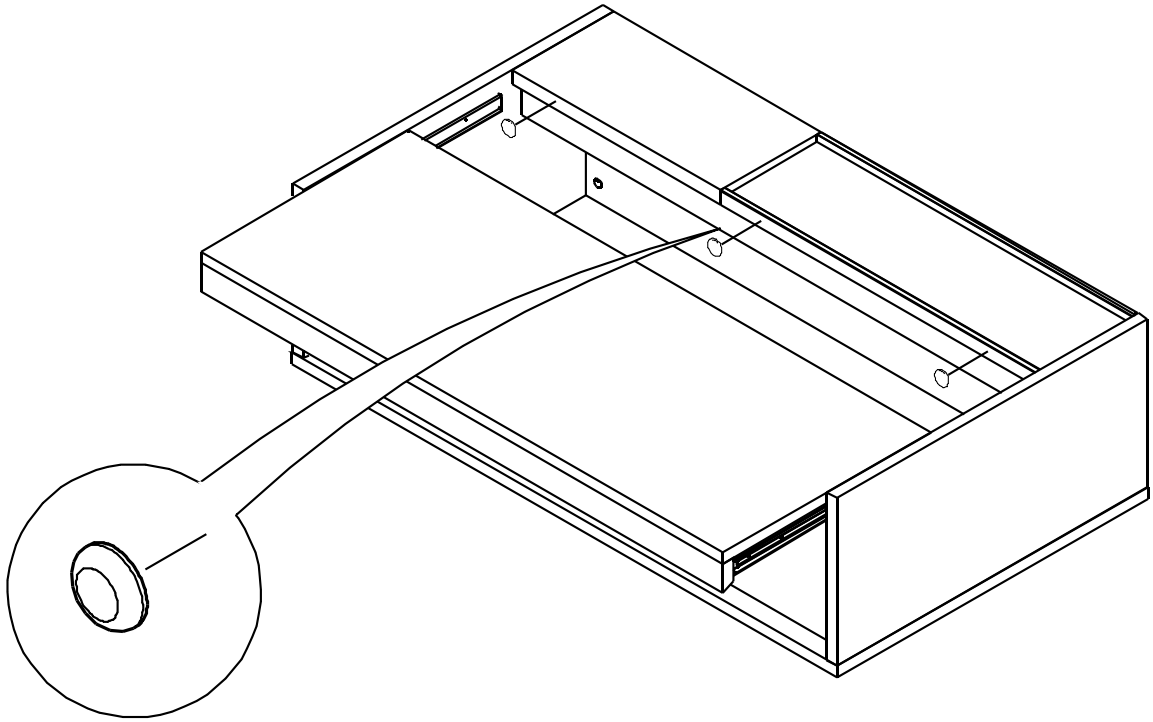
14.



	x3
---	----

M4x40		x7
-------	---	----

15.



16.

