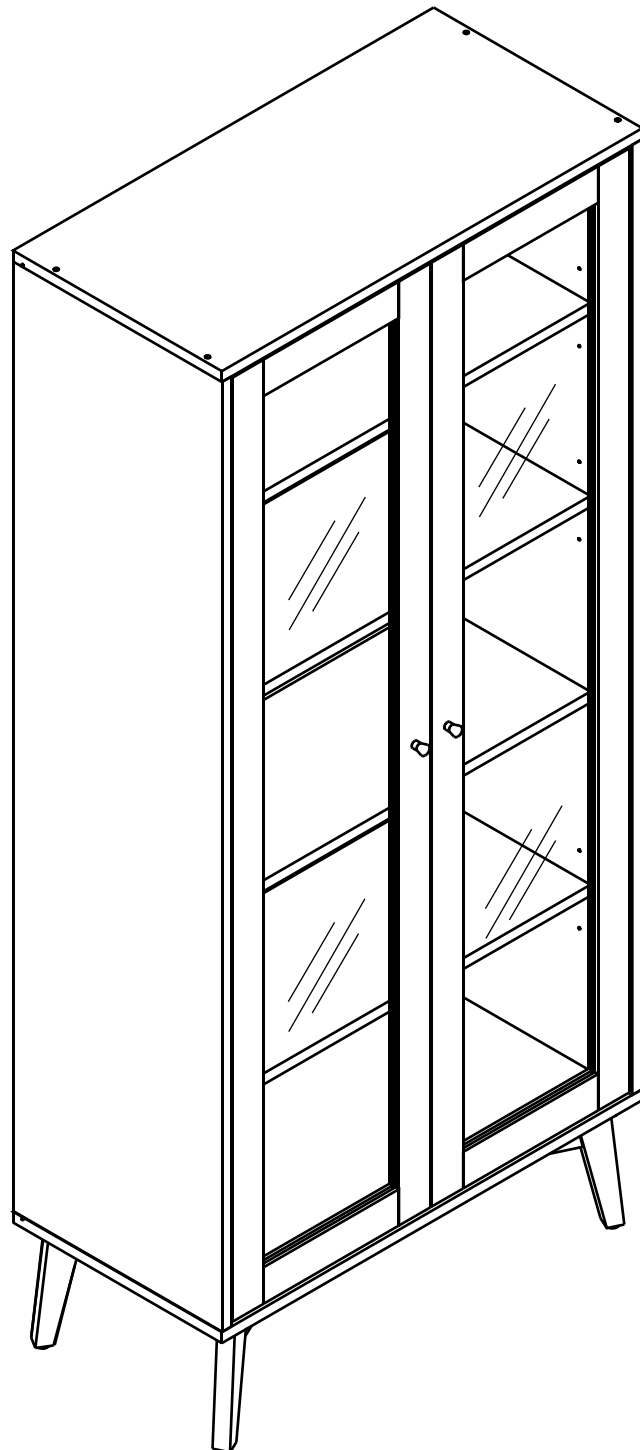
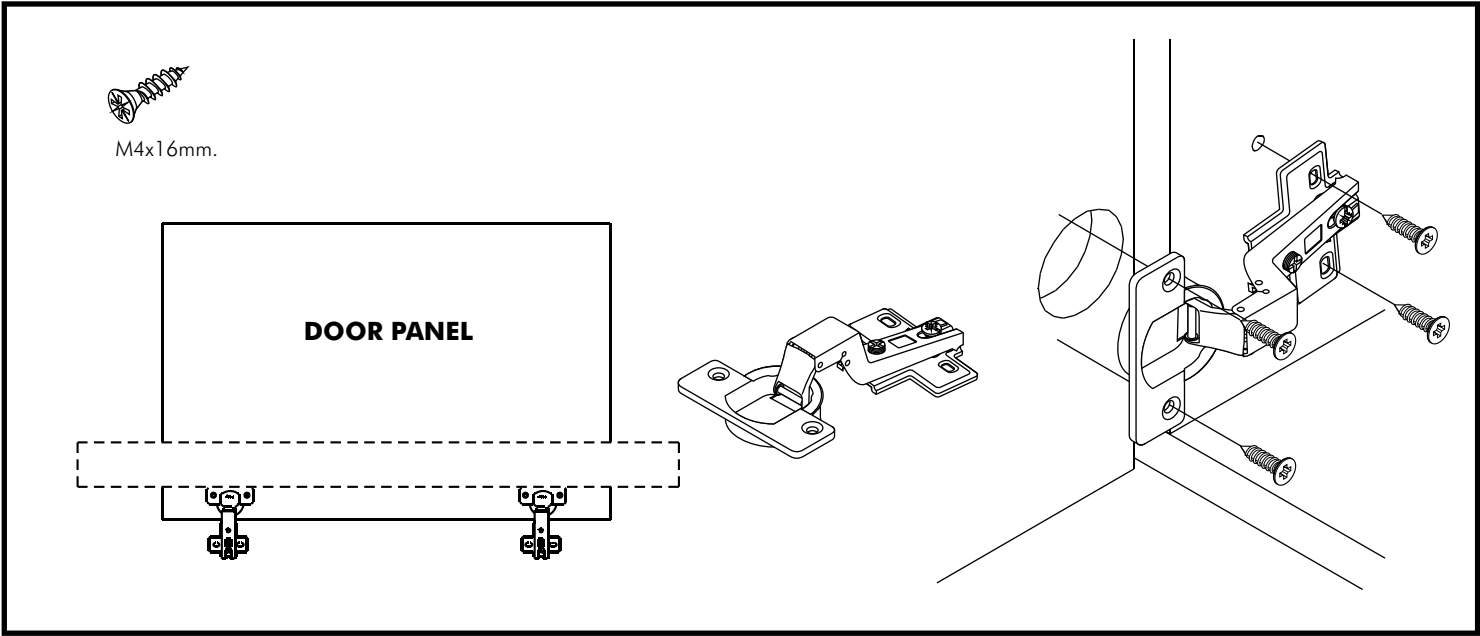


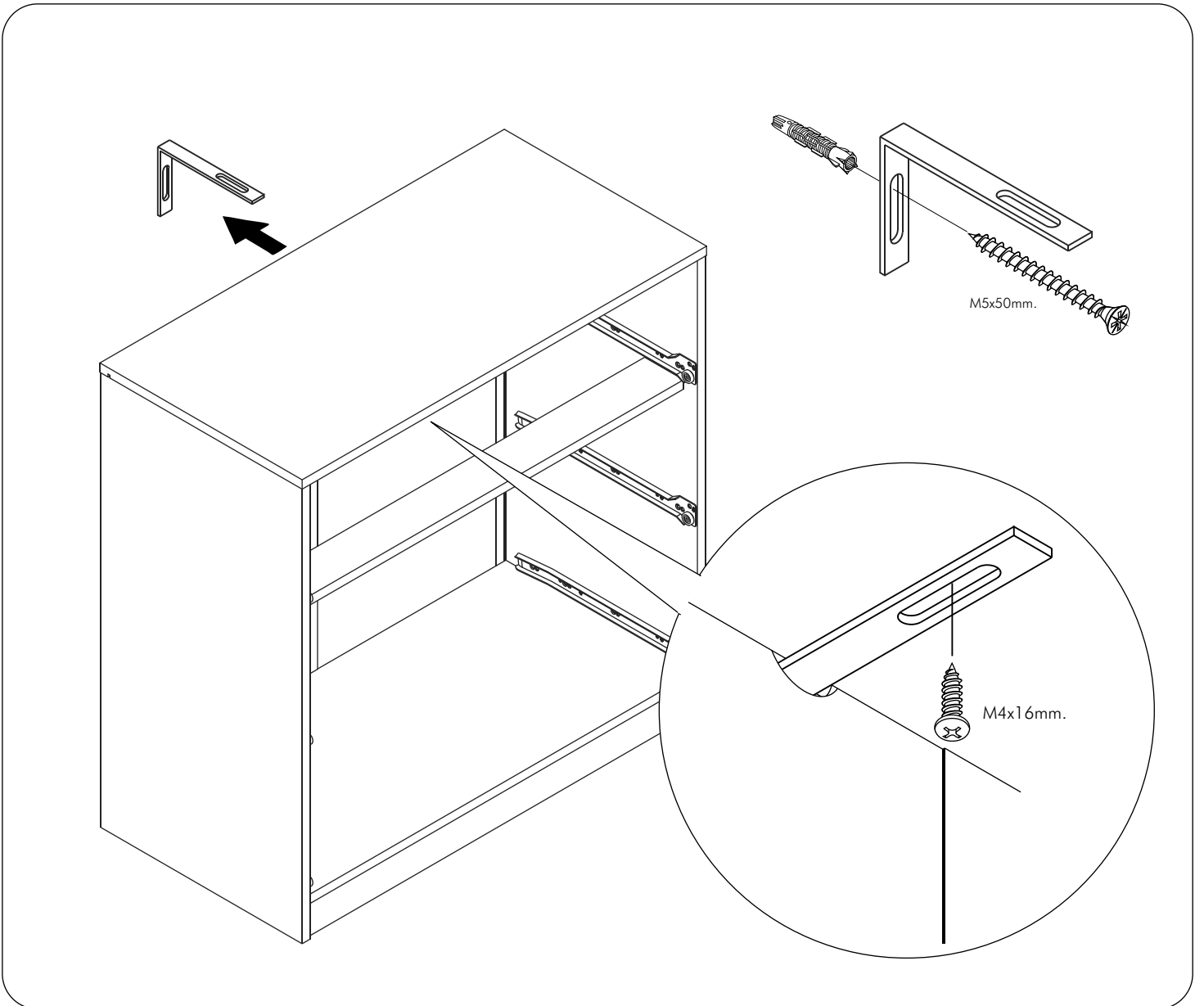
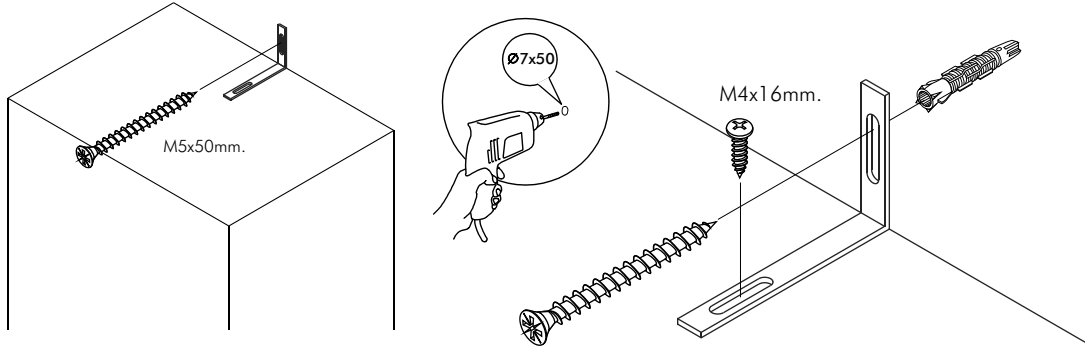
KARLMAR-P

High glass cabinet 2 dr.



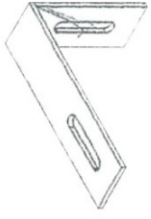
CONNECT SYSTEM



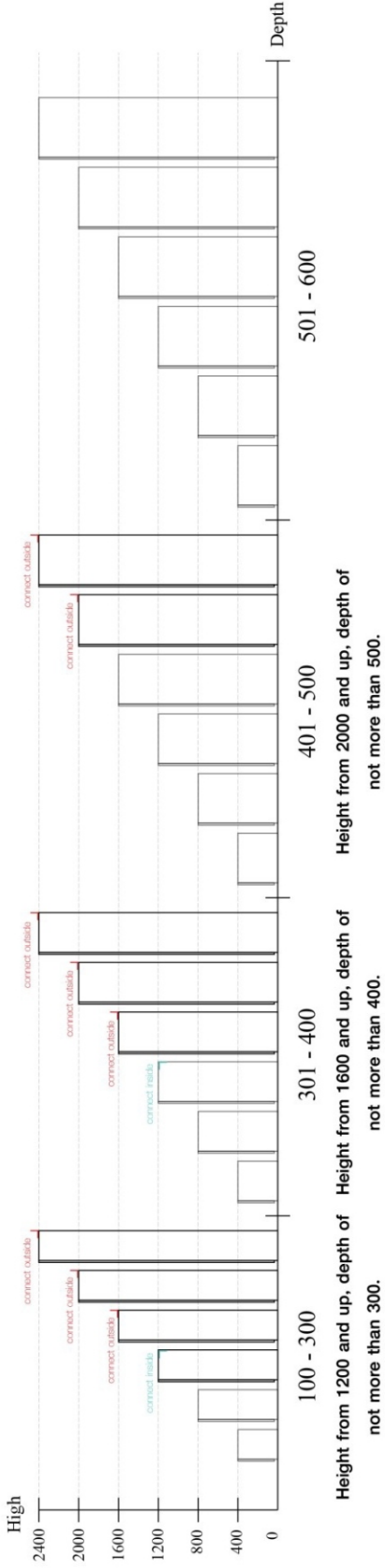


The Standard for identifying which mounted safety fall protection fitting to use **Note : That children's products must be installed with all anti-falling fittings.**

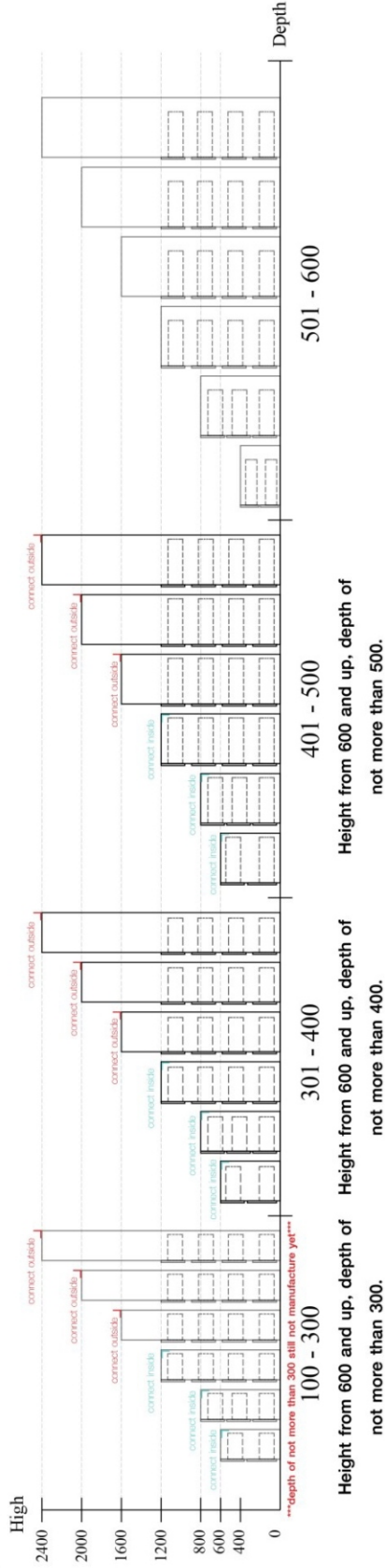
■ Mounted fall protection fittings



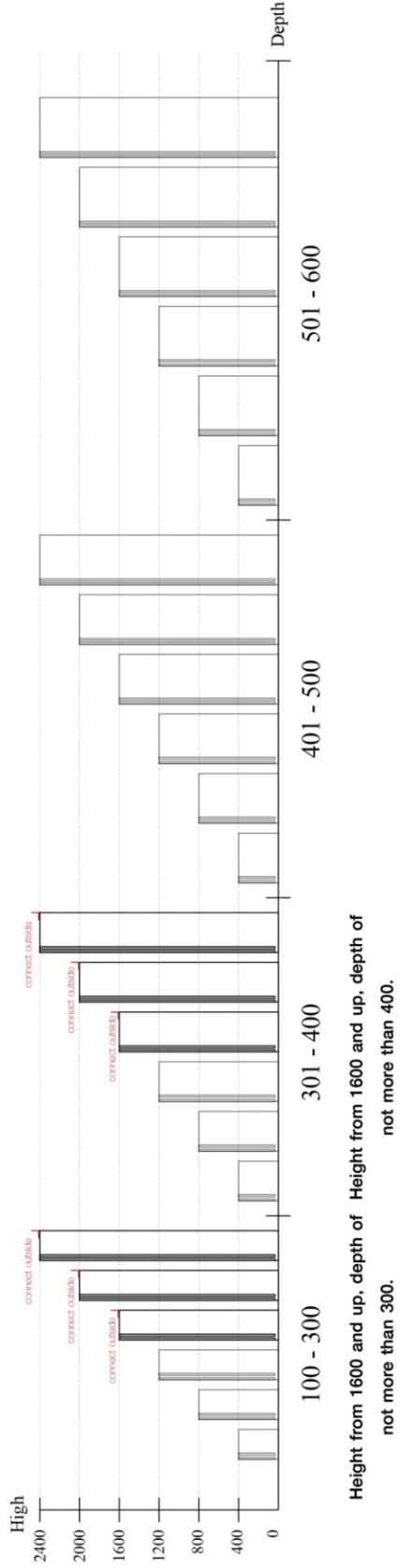
■ Category : Cabinet with open doors



■ Category : Chest of drawers

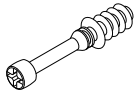


■ Category : Sliding door cabinet / Open cabinet



HARDWARE

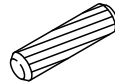
-BODY SET



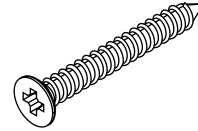
x 4



x 4



x 12



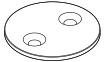
M4x50mm.

x 21



M3.5x13mm.

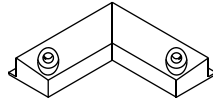
x 4



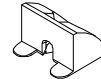
x 2



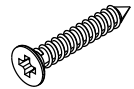
x 12



x 4



x 8



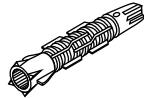
M3.5x20mm.

x 16

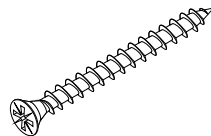


M4x16mm.

x 21

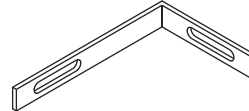


x 1

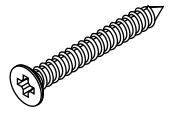


M5x50mm.

x 1

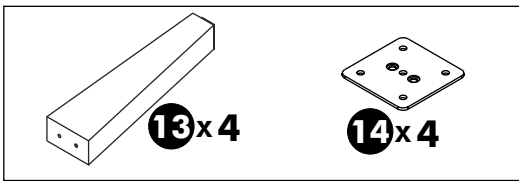


x 1

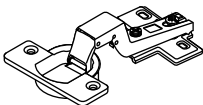


M4x30mm.

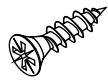
x 8



-DOOR SET



x 6

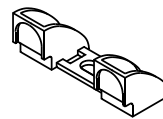


M4x16mm.

x 24



x 4

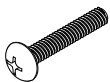


x 2



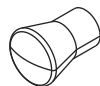
4x1/2"

x 4



M4x25mm.

x 2

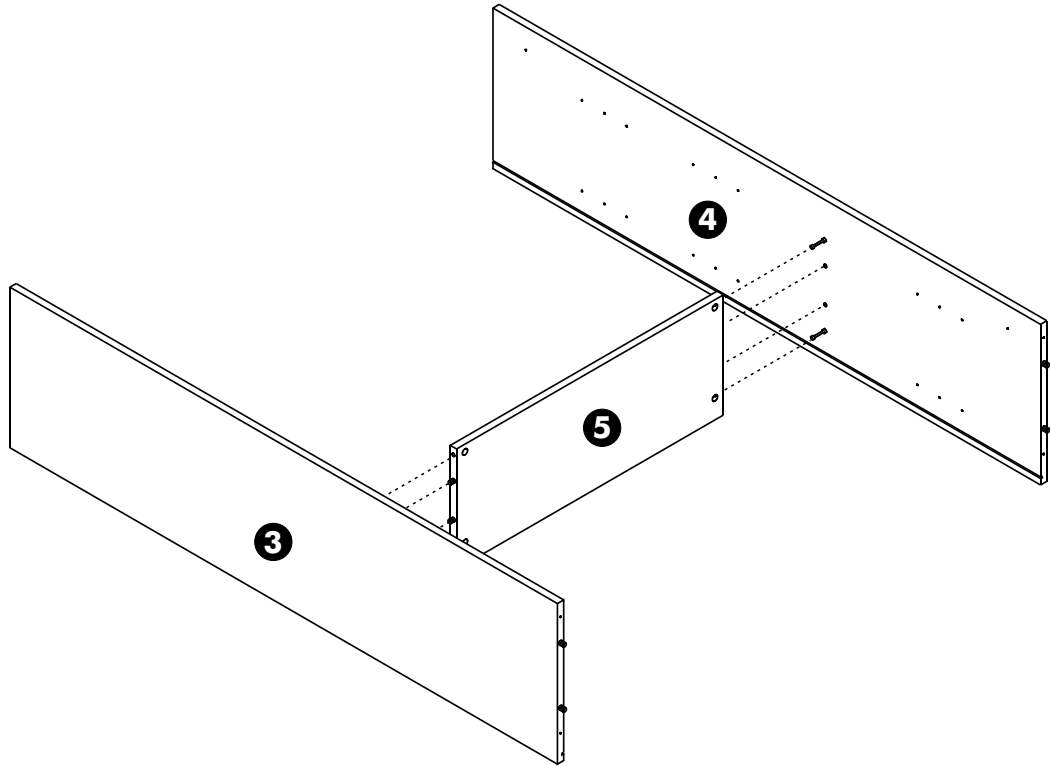


x 2

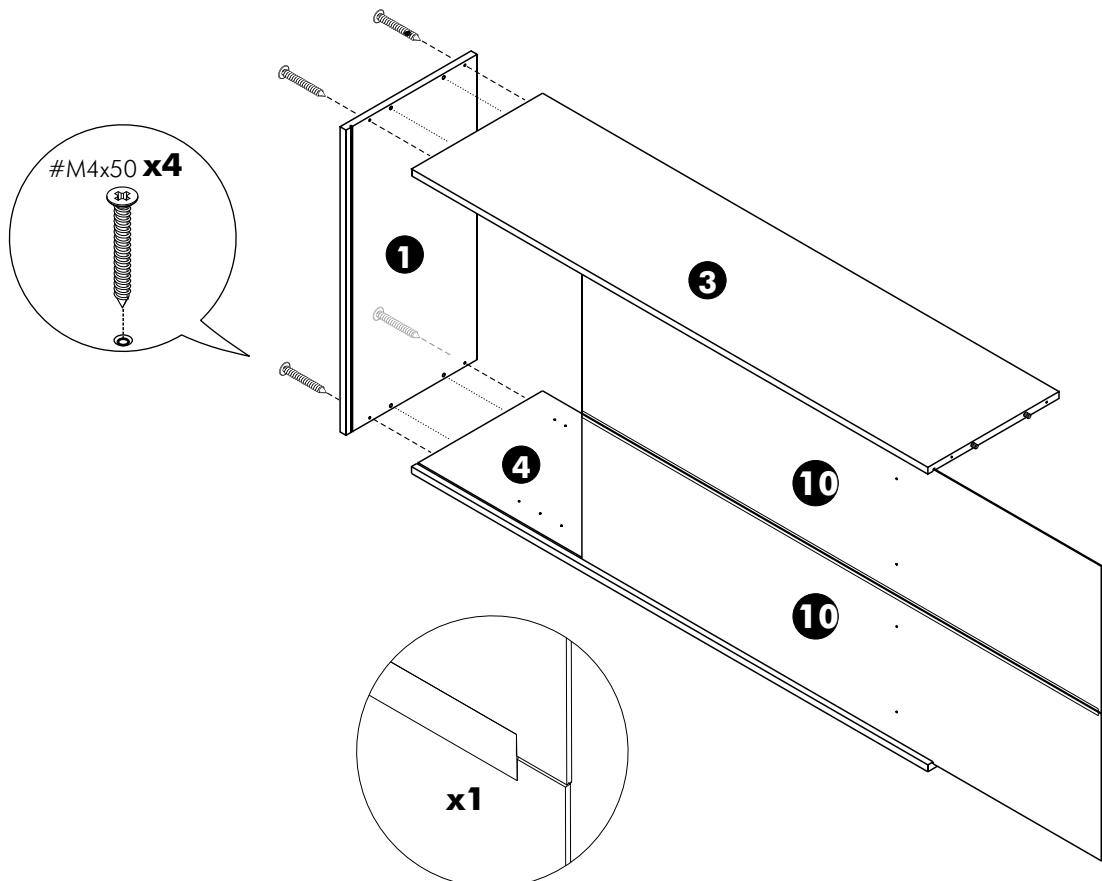
ASSEMBLY

-BODY SET

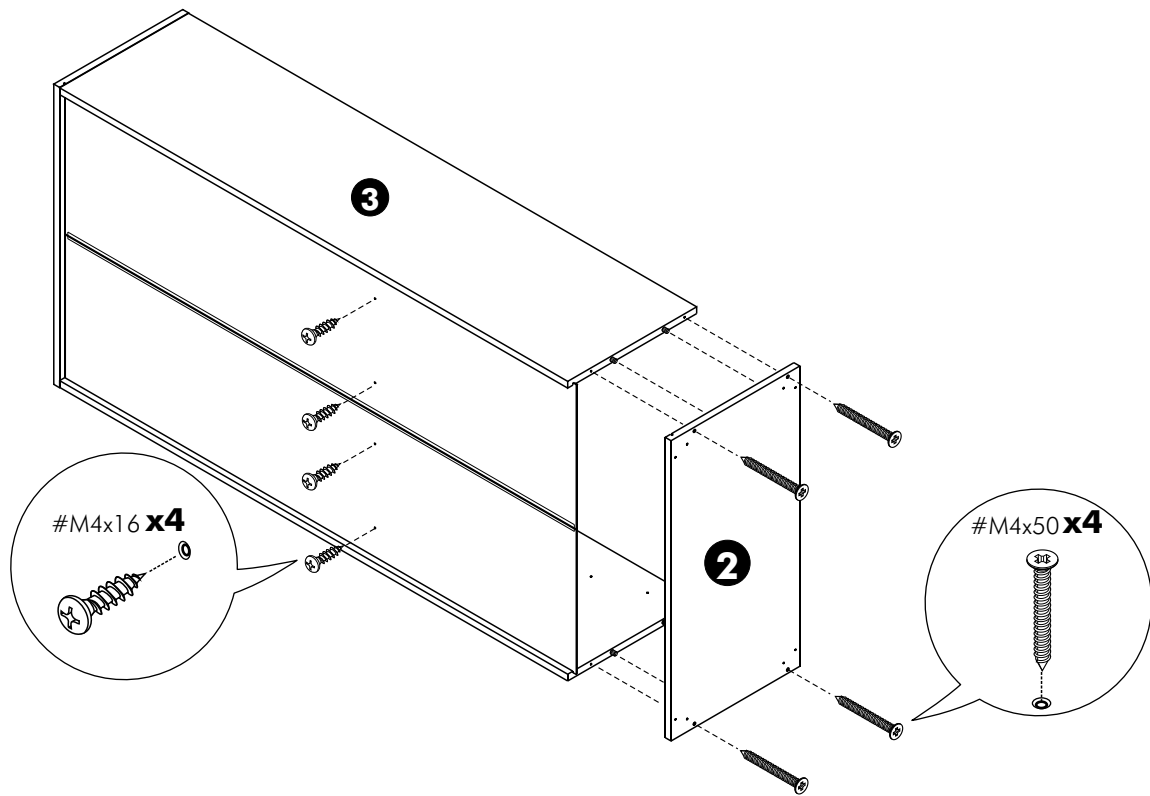
1.



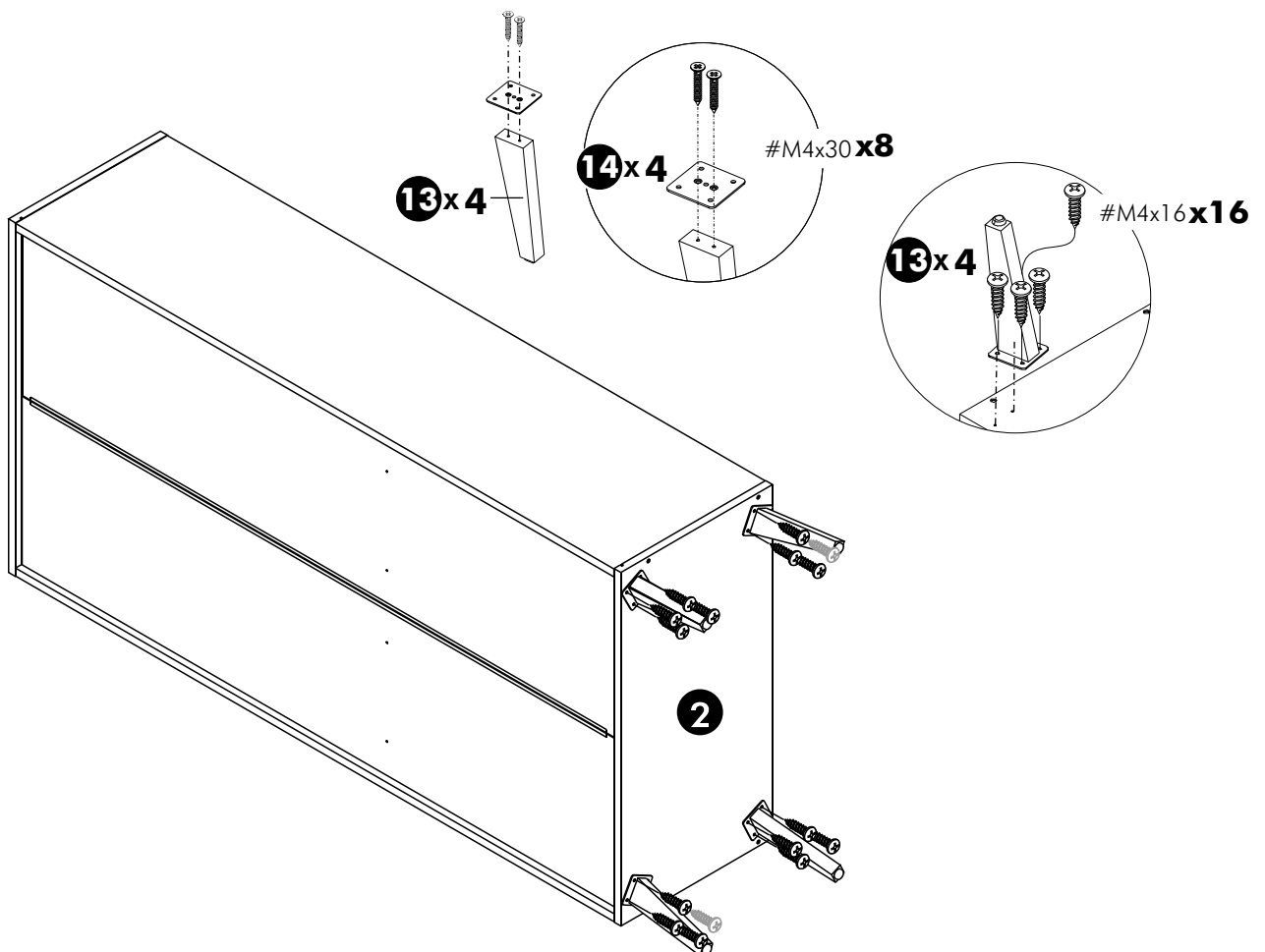
2.



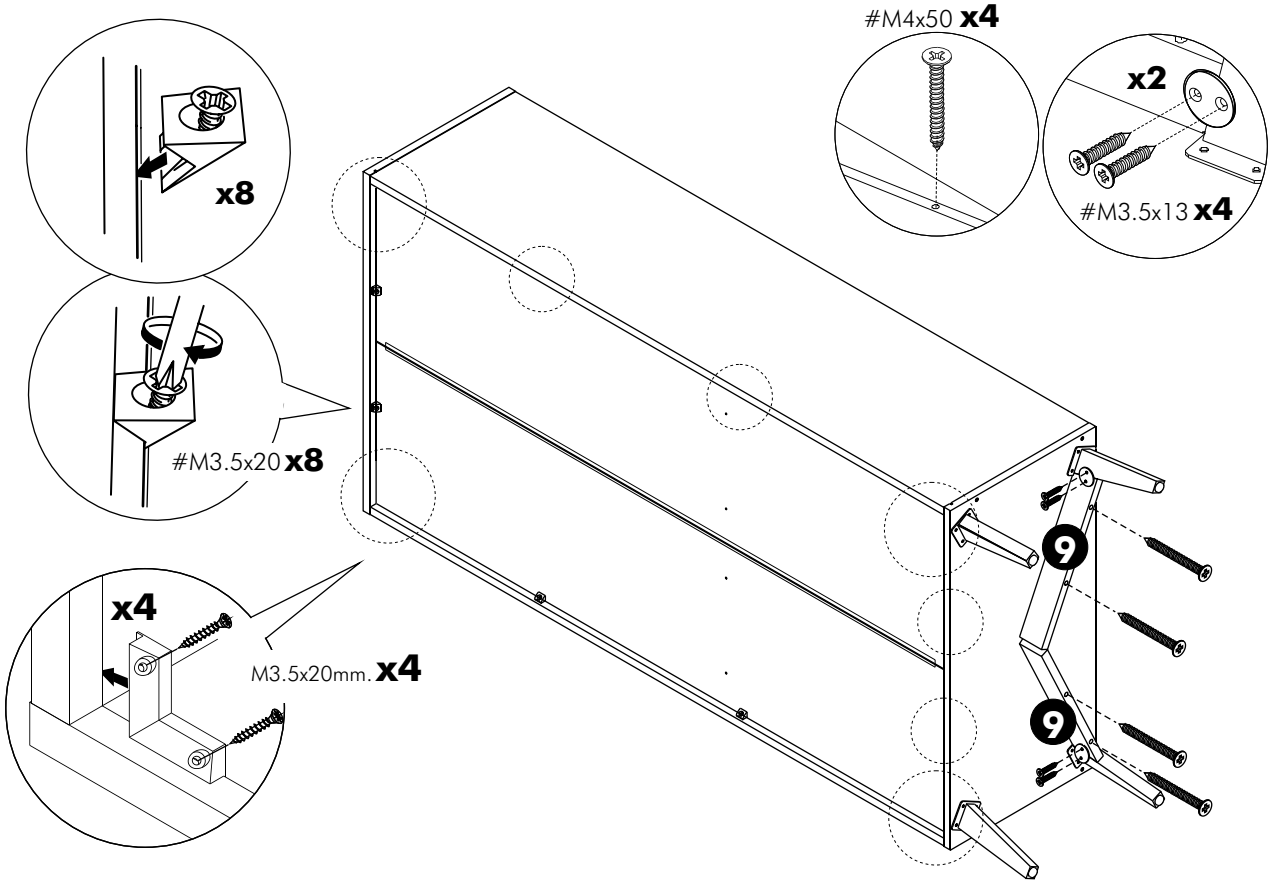
3.



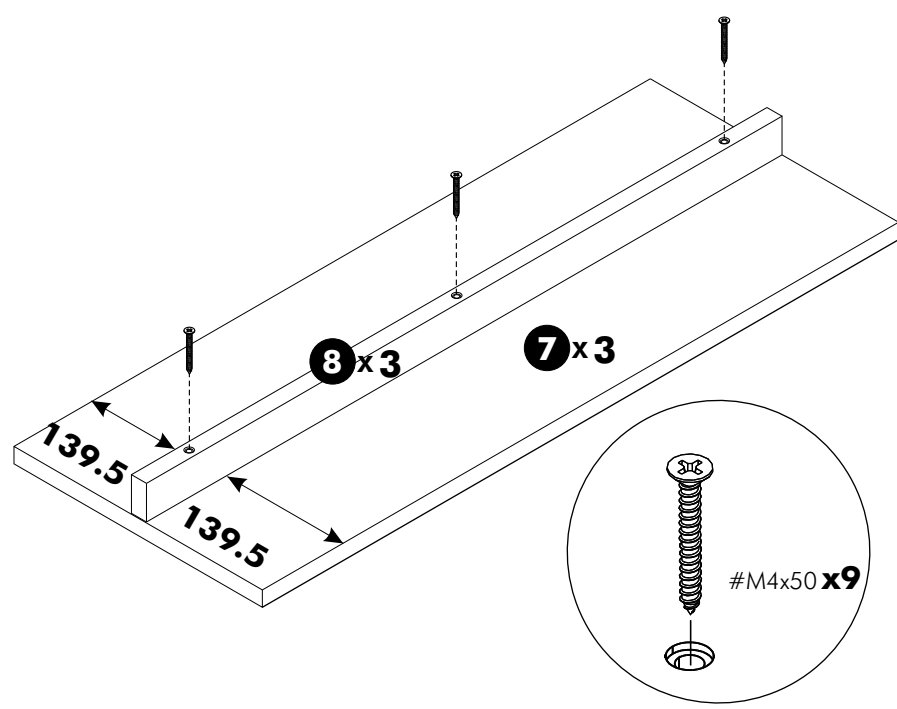
4.



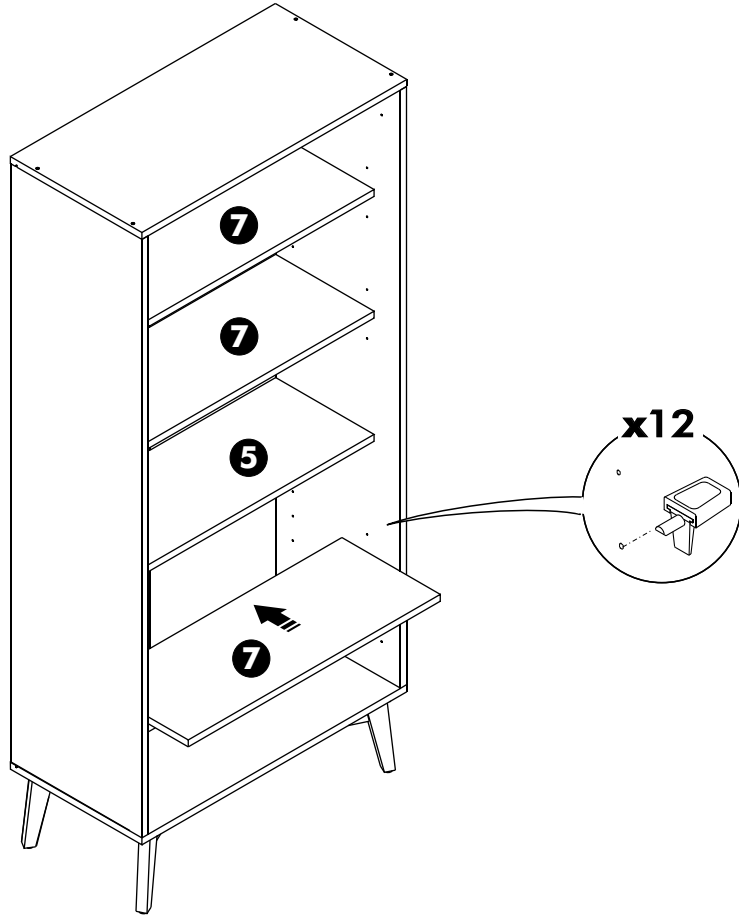
5.



6.



7.



ASSEMBLY

-DOOR SET

