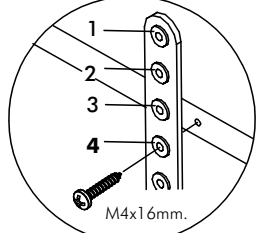
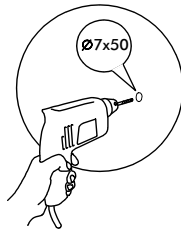
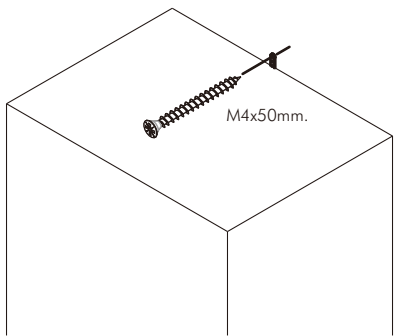
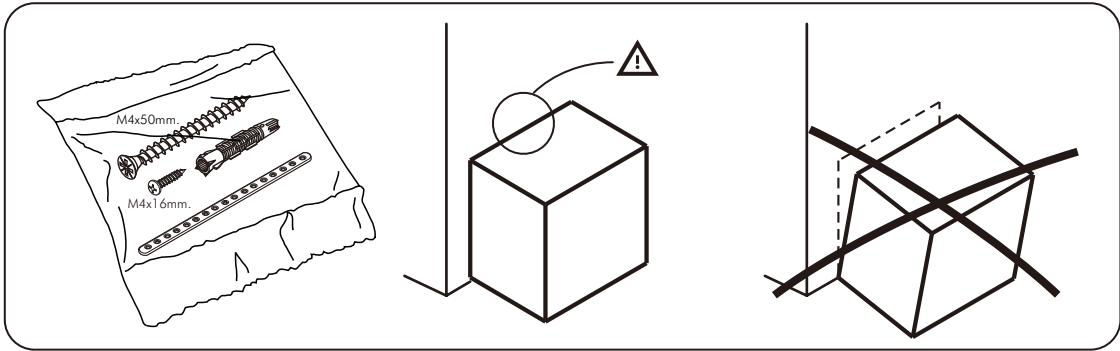
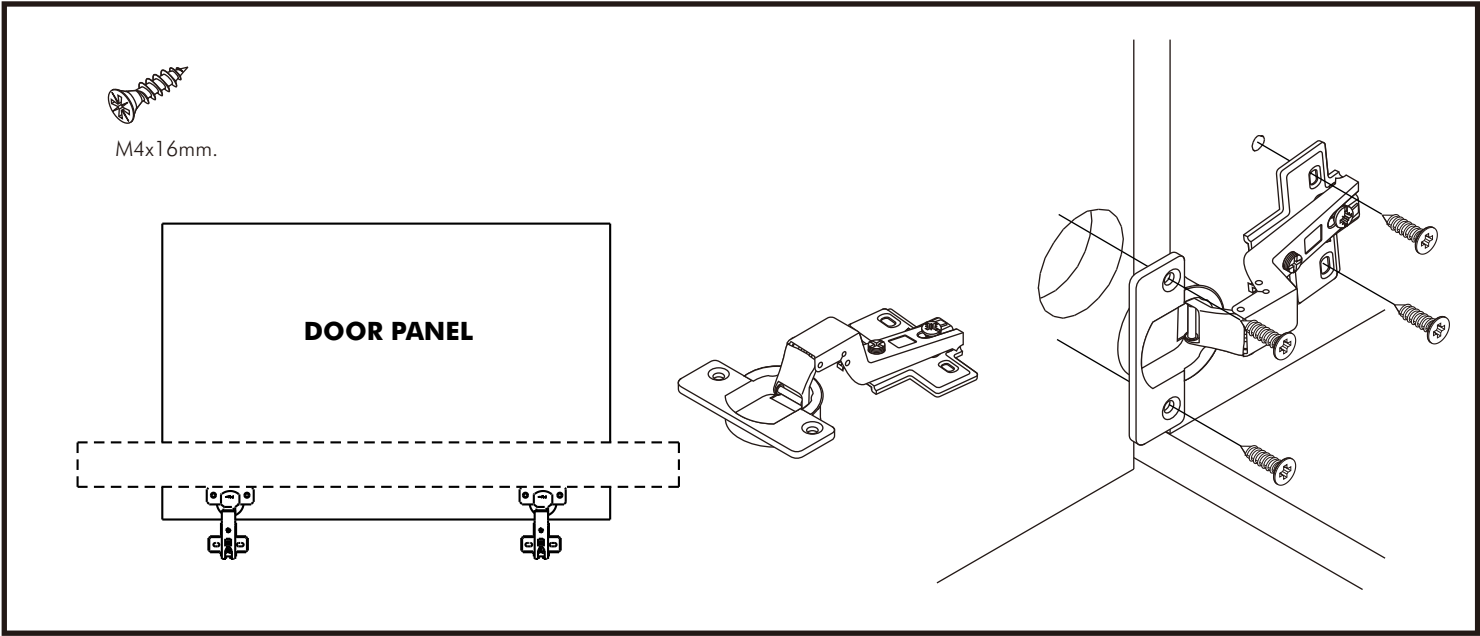
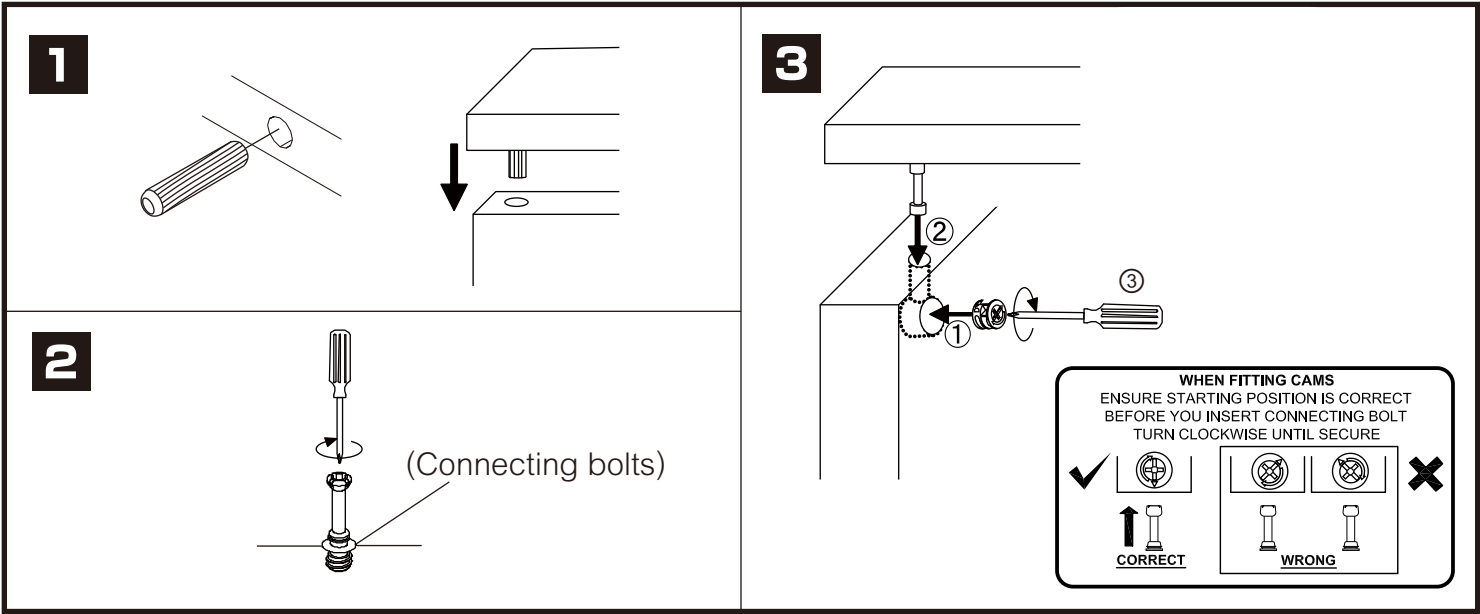


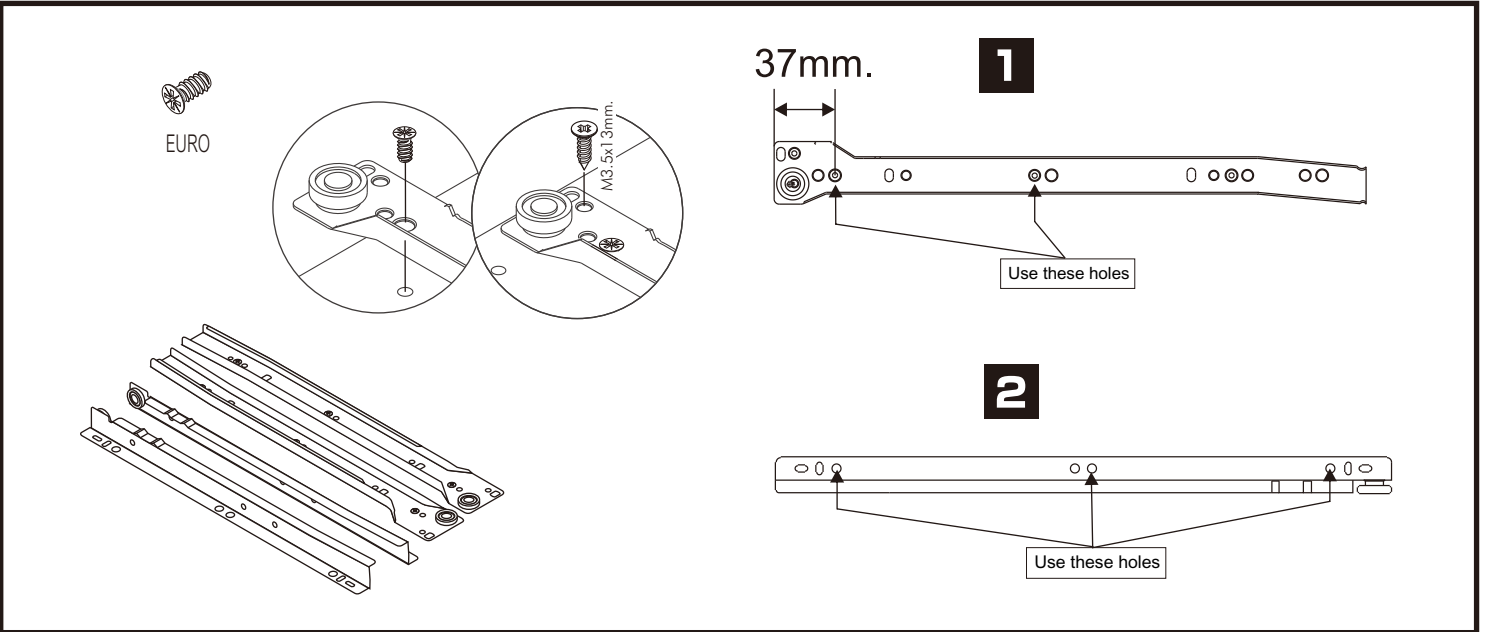
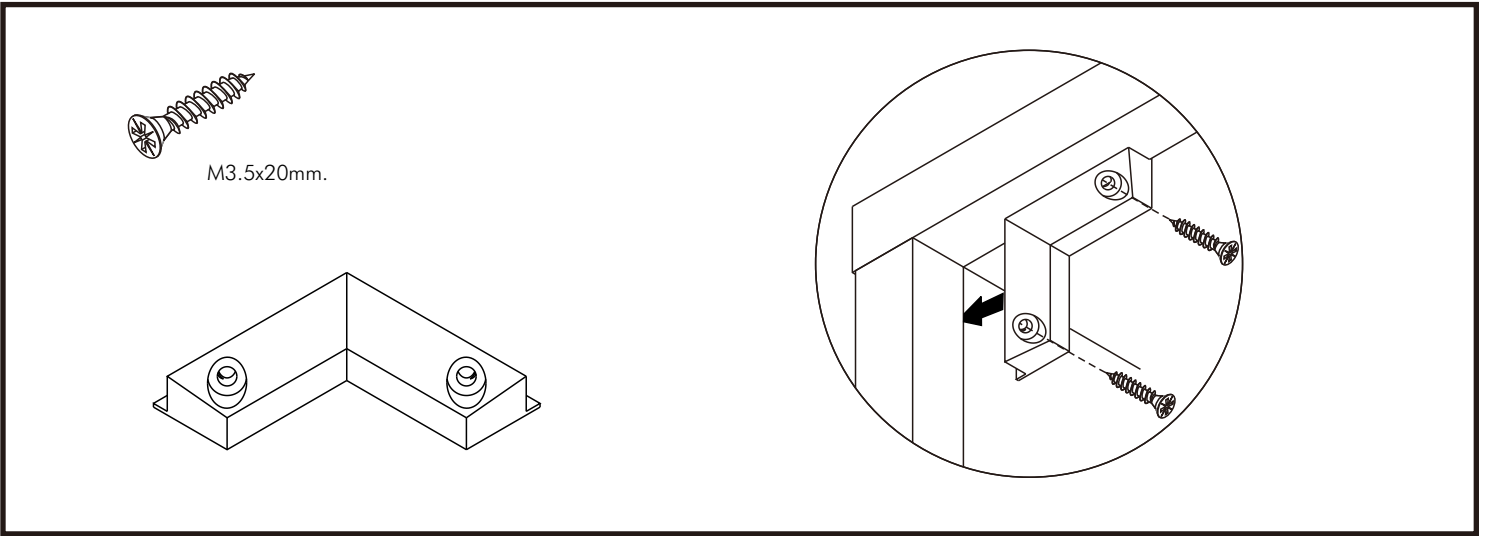
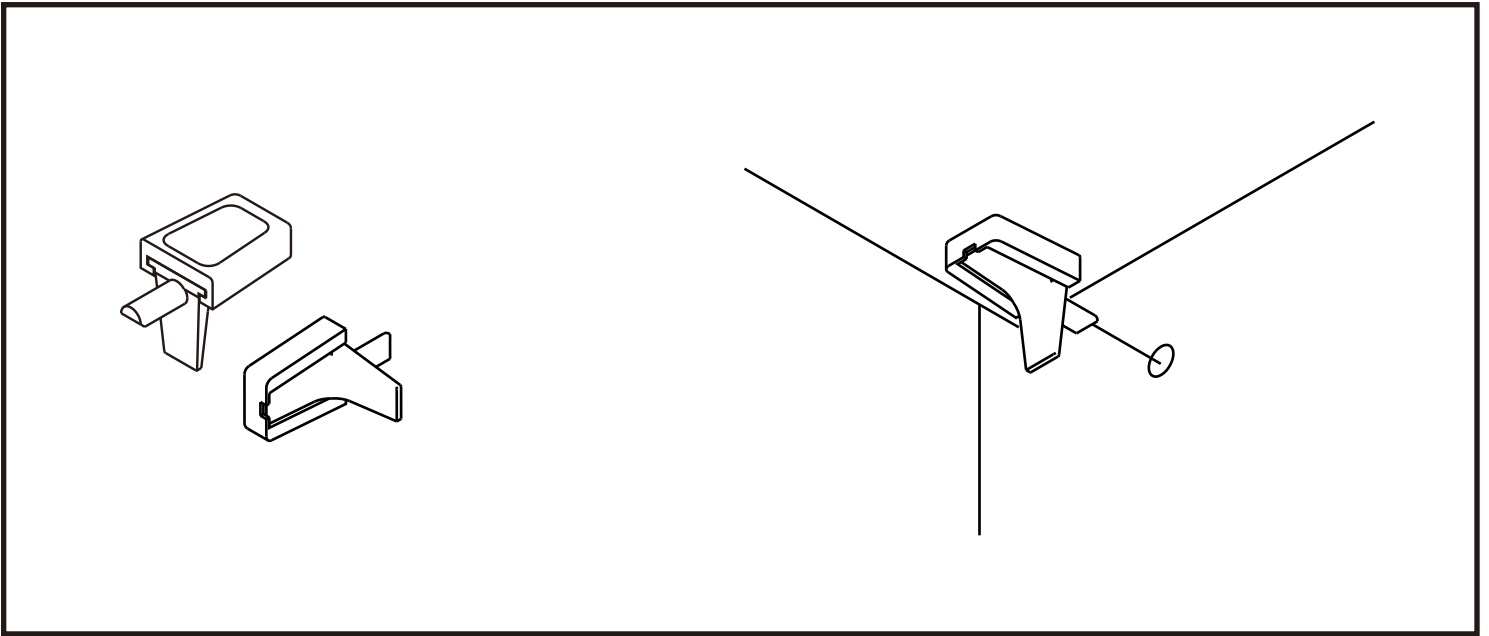
KARLMAR-P

High cabinet 2 dr.



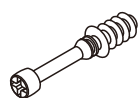
CONNECT SYSTEM





HARDWARE

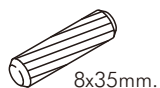
-BODY SET



x 8



x 8



8x35mm.

x 16



x 12



x 2



#4x1/2"

x 4

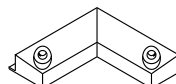


x 4



M3.5x20mm.

x 8



x 4



M4x20mm.

x 8

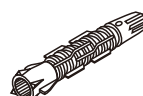


x 8

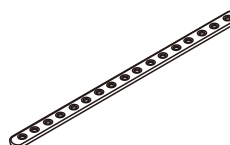


M4x16mm.

x 29



x 1



x 1



M4x50

x 22

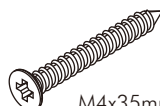


x 2



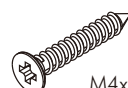
M3.5x13mm.

x 4



M4x35mm.

x 3



M4x30mm.

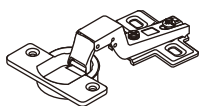
x 8



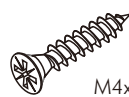
EURO

x 6

-DOOR SET



x 8



M4x16mm.

x 32



x 4



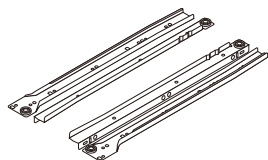
M4x25mm.

x 4



M4x30mm.

x 3



x 1 SET



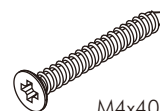
M3.5x13mm.

x 8



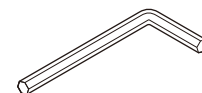
M6x23mm.

x 3



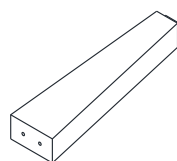
M4x40mm.

x 12

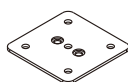


x 1

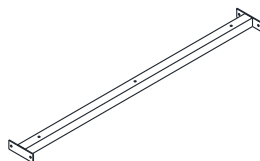
-PART SET



22 x 4



23 x 4

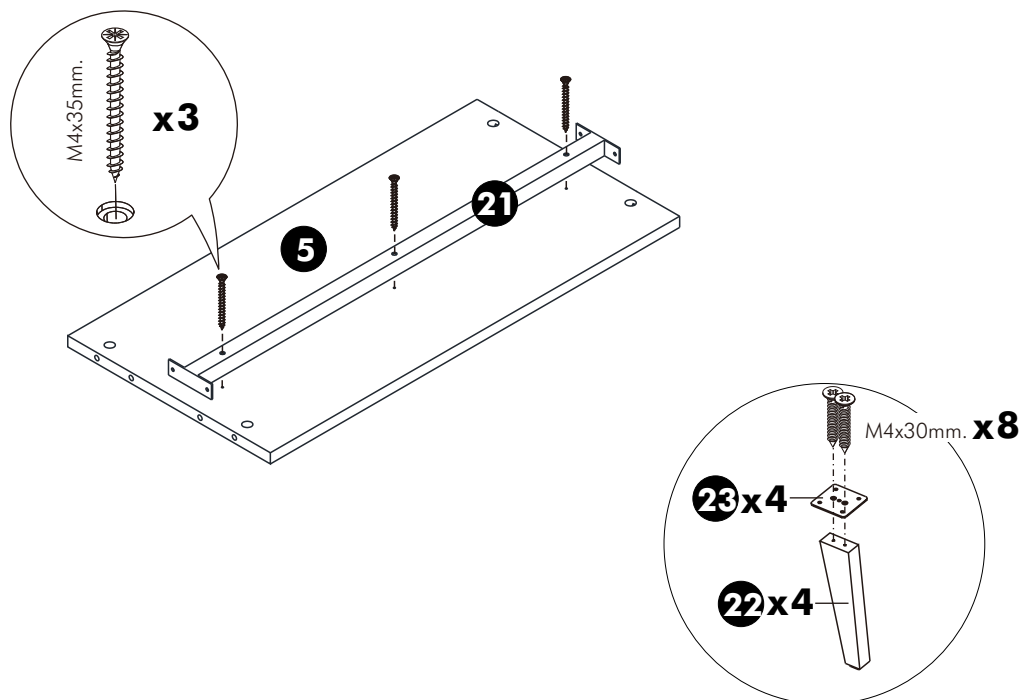


21 x 1

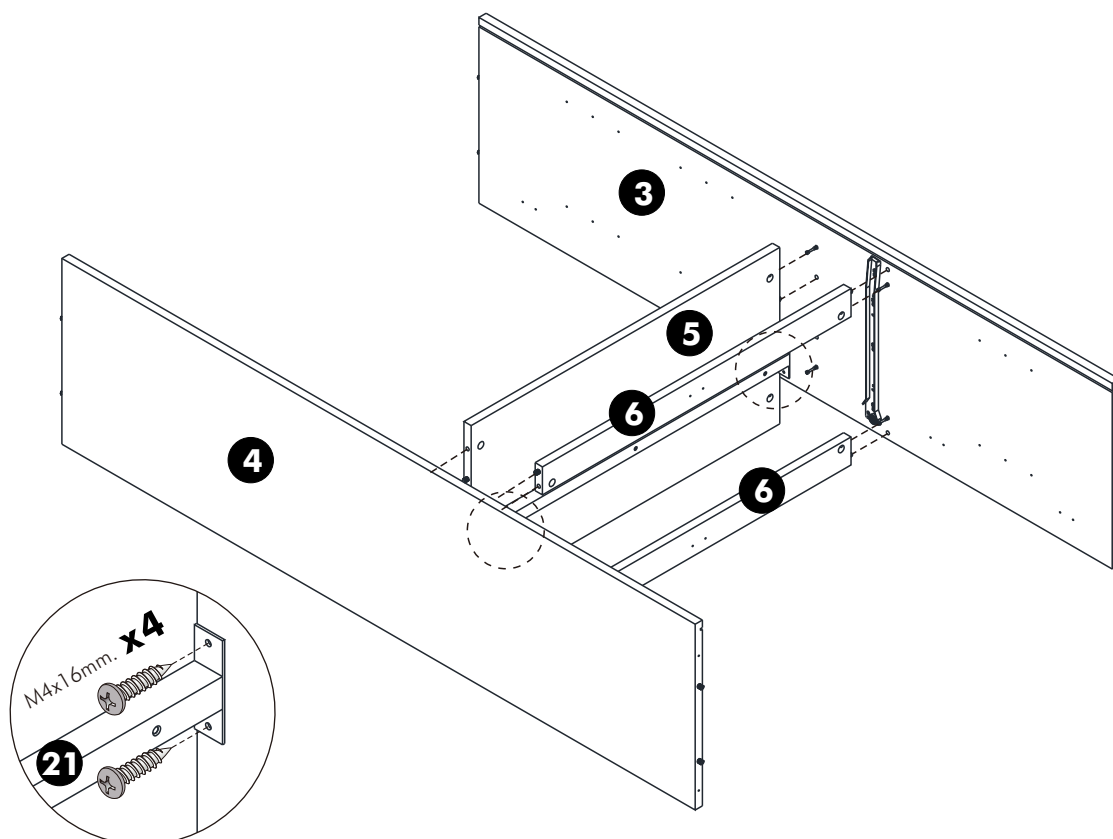
ASSEMBLY

-BODY SET

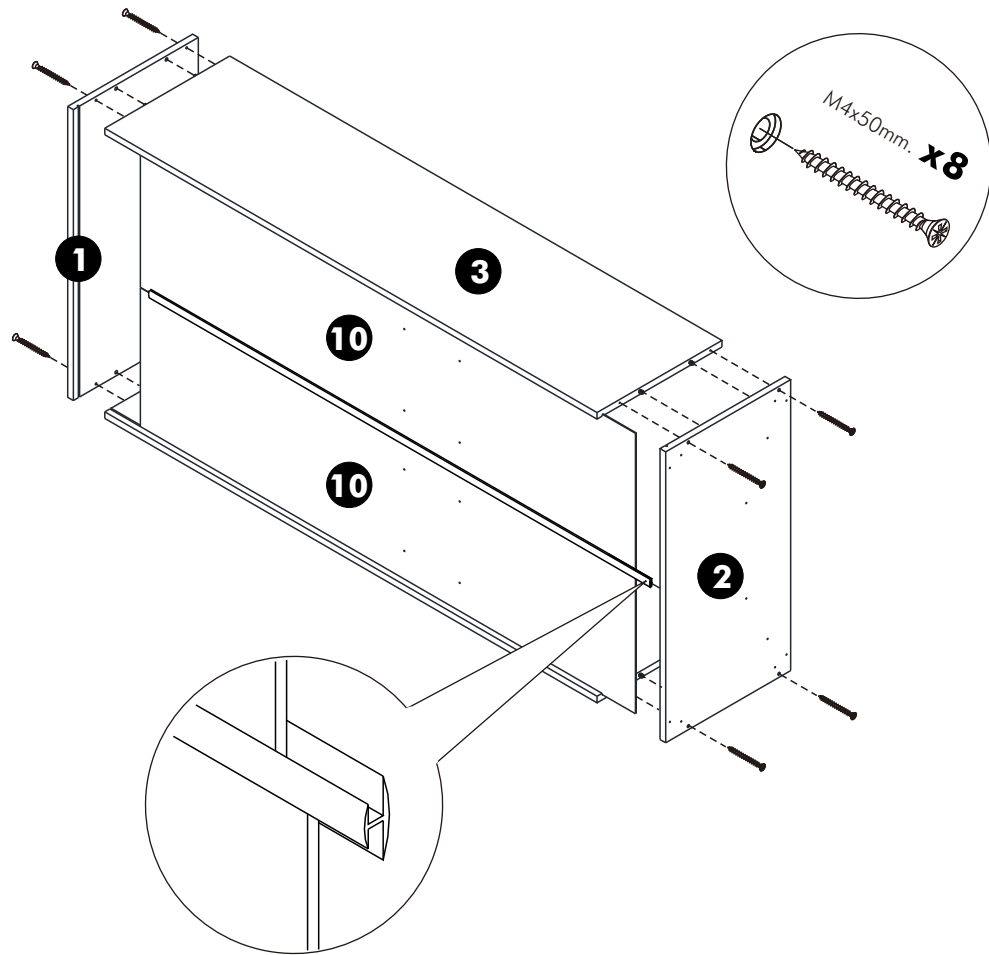
1.



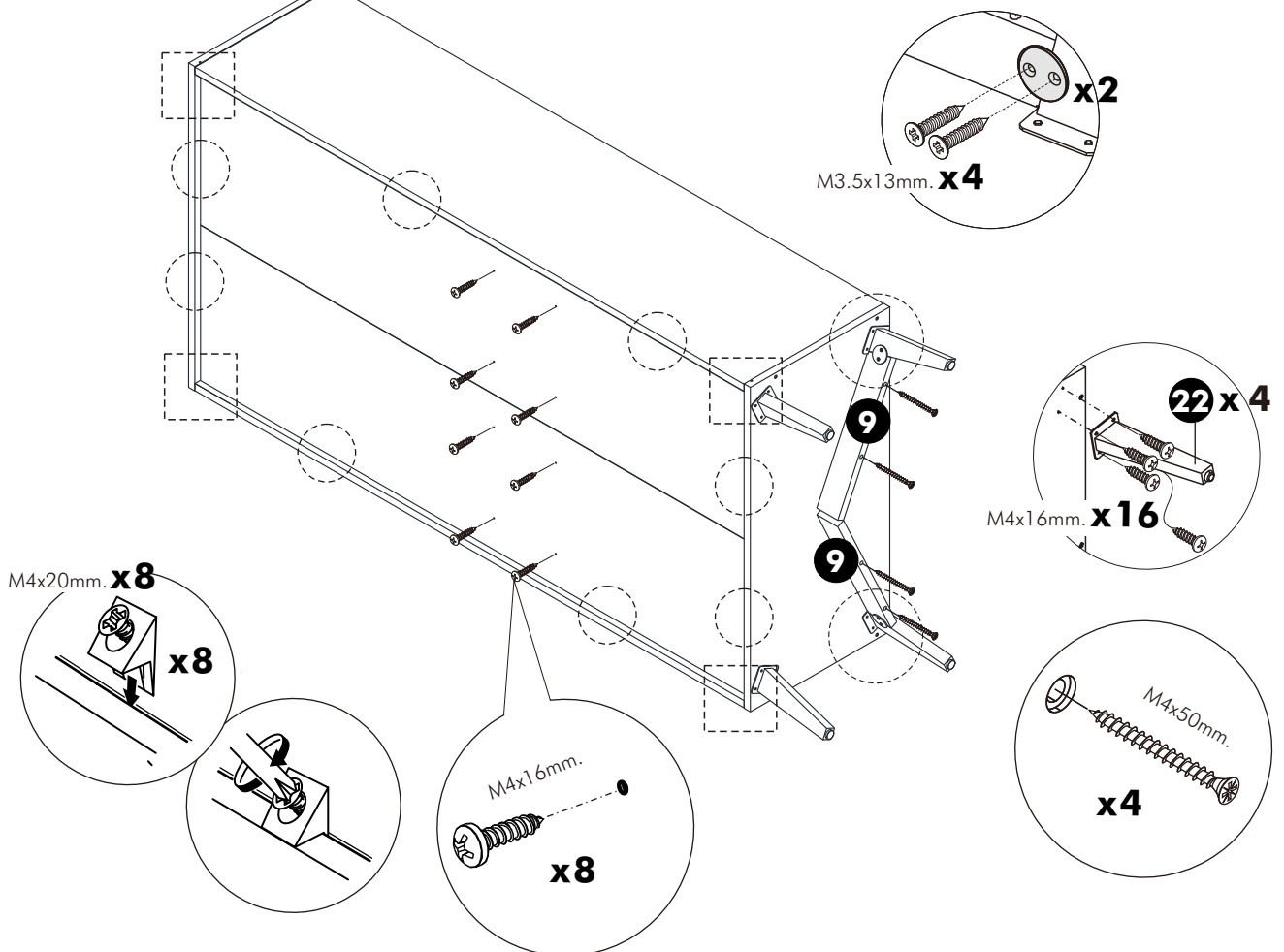
2.



3.

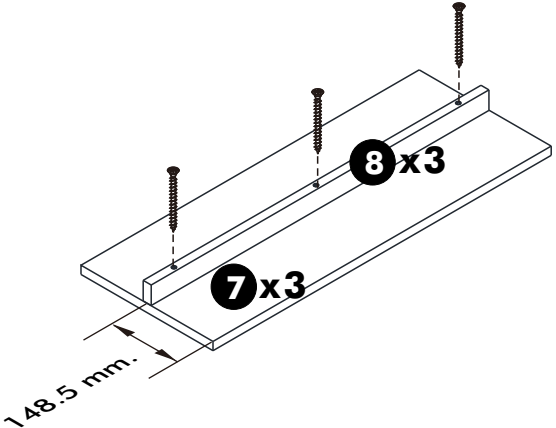
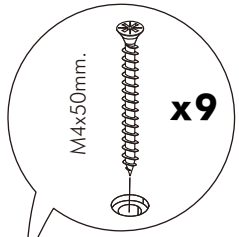
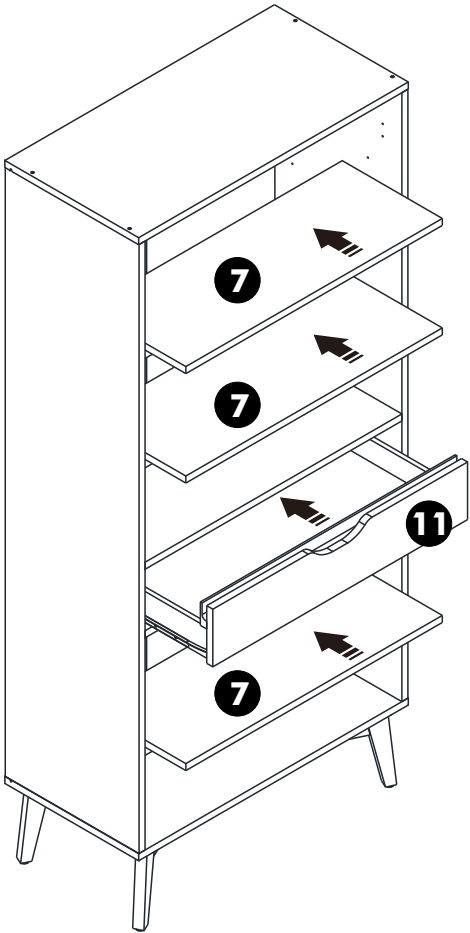
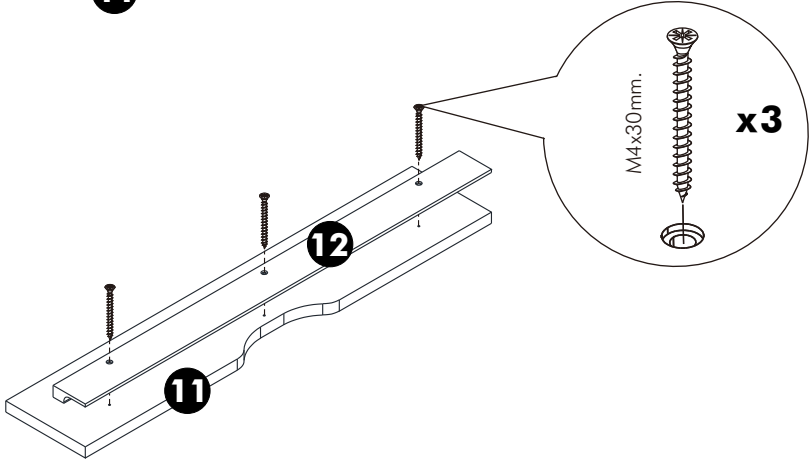
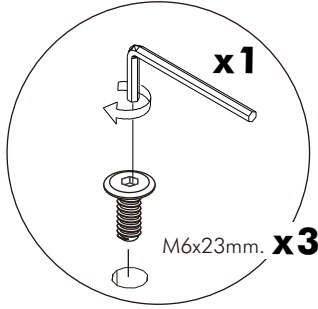
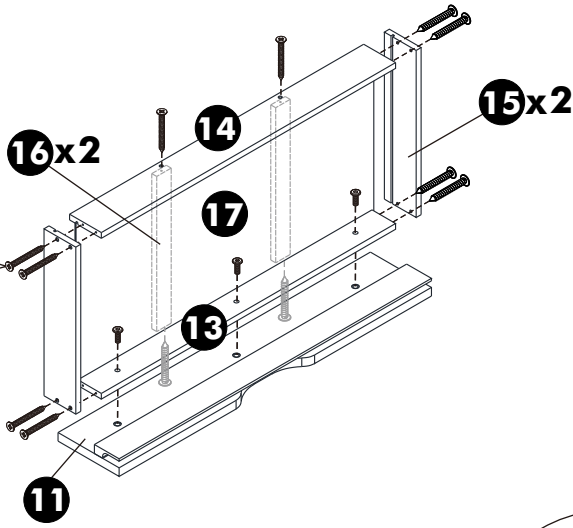
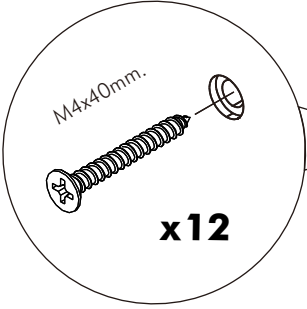


4.



ASSEMBLY

-DRAWER SET



ASSEMBLY

-DOOR SET

