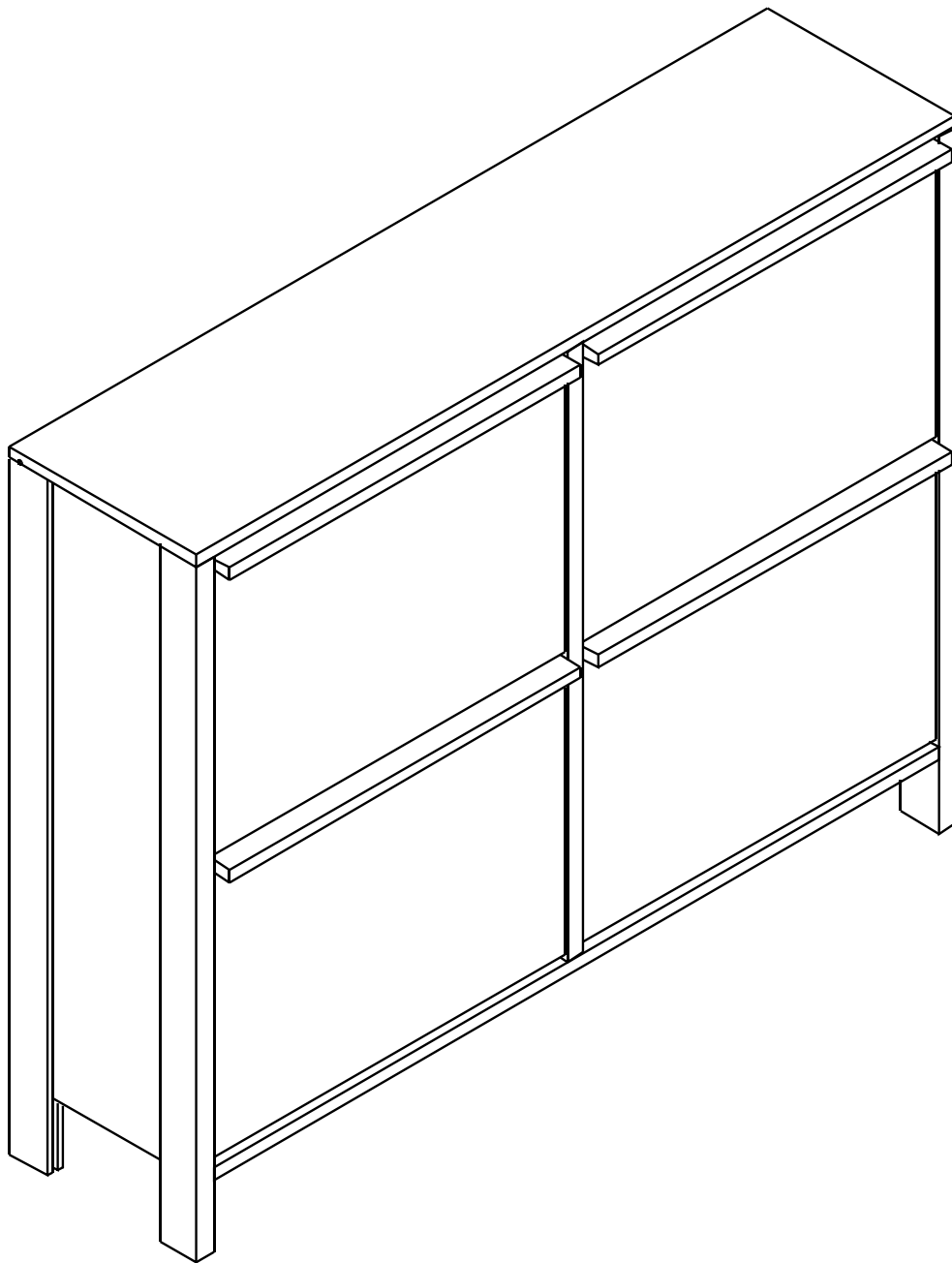
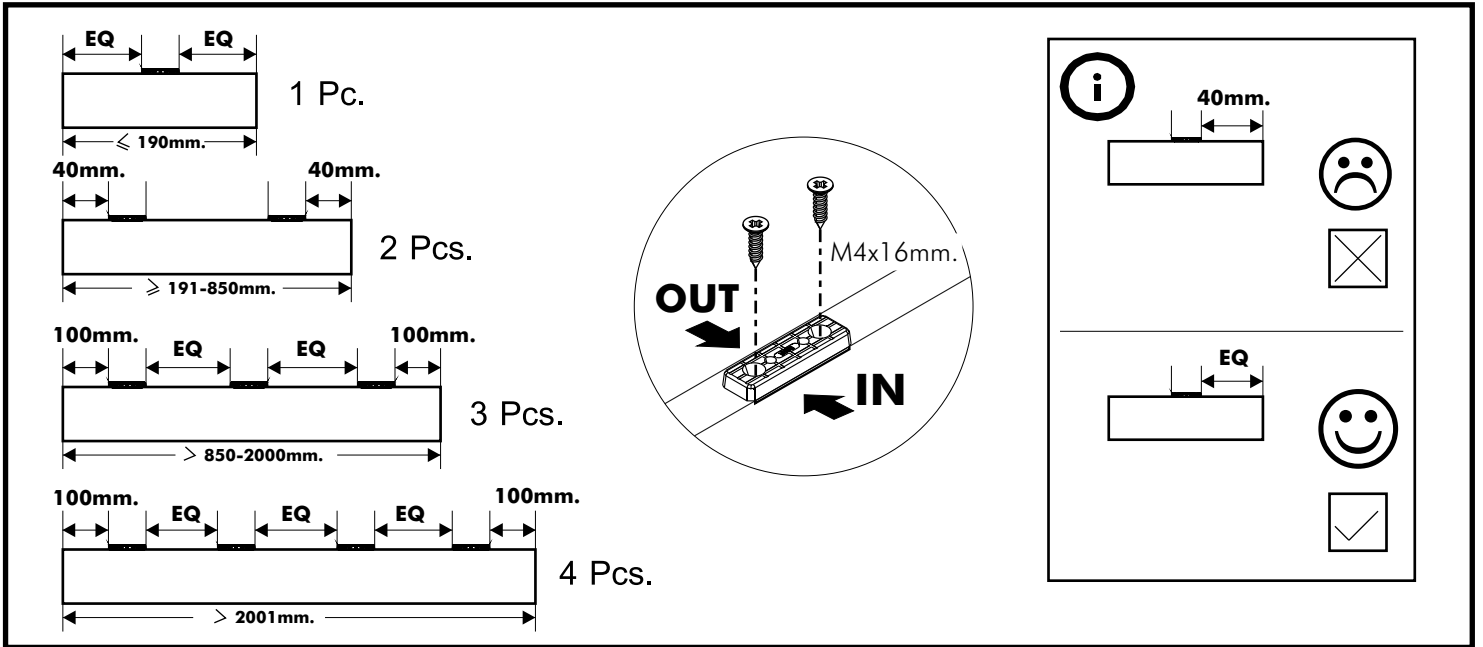
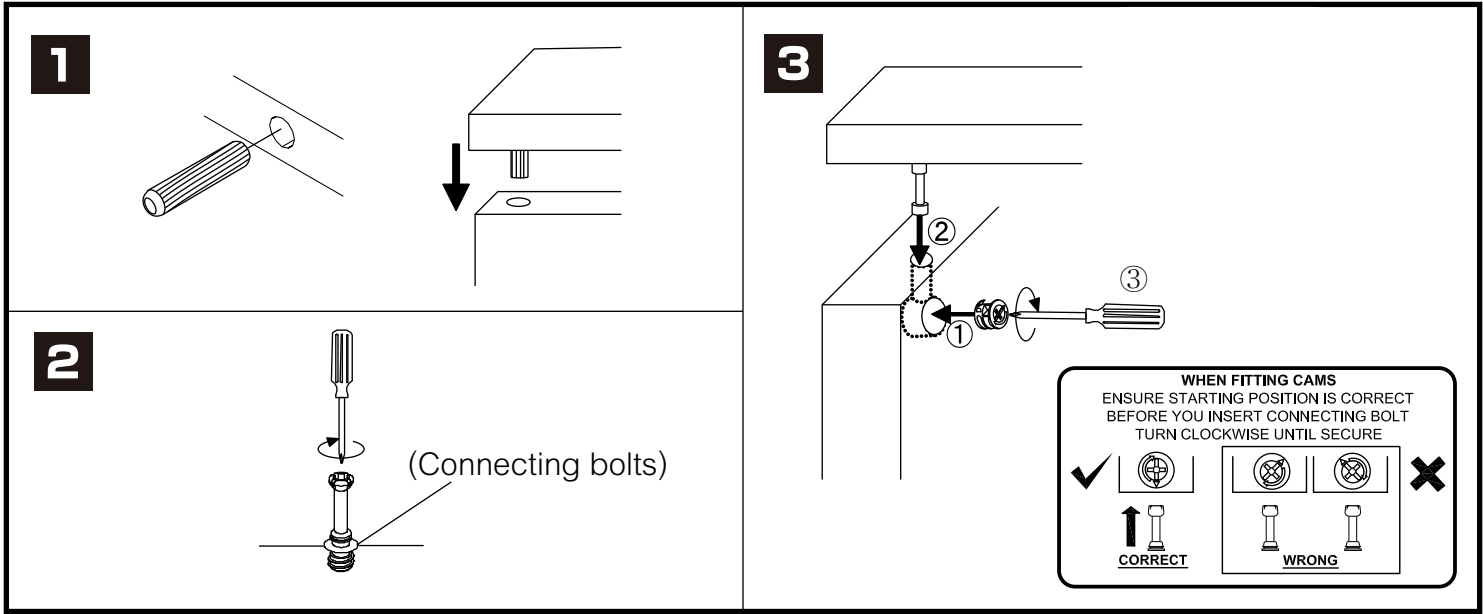


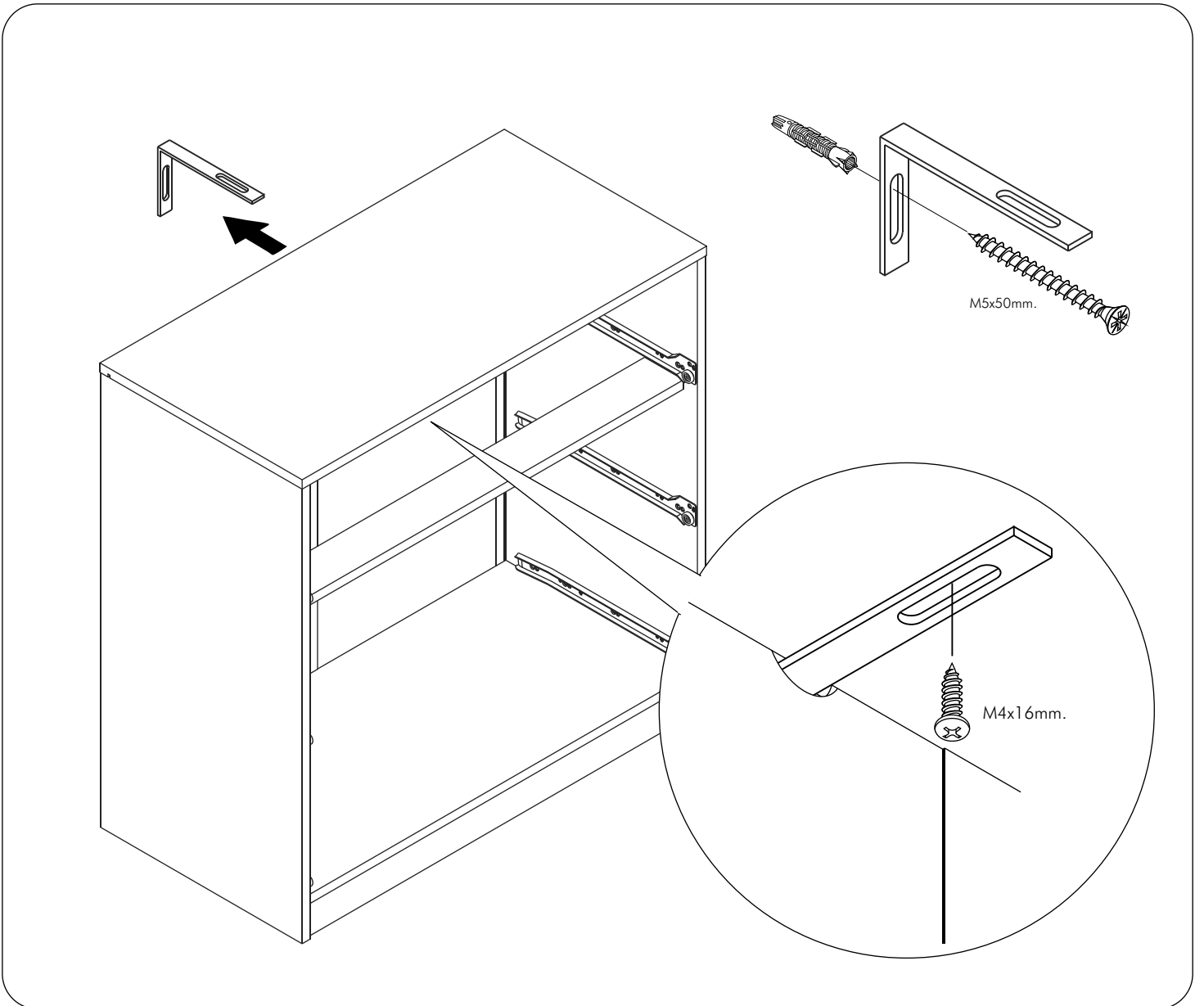
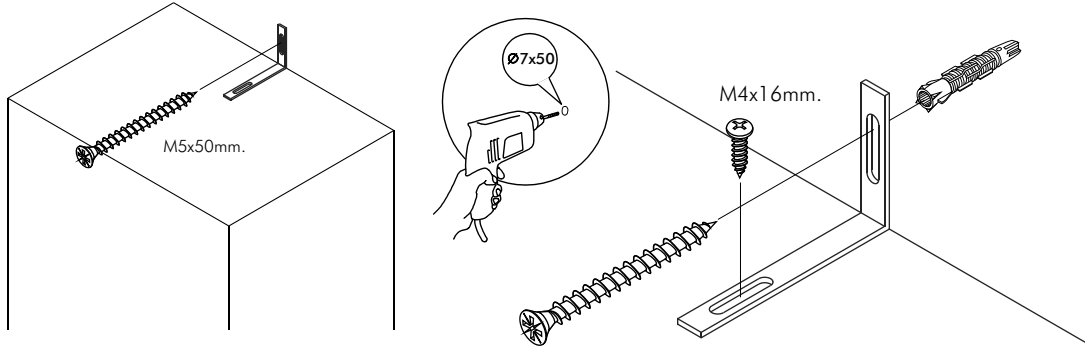
SKECHERS-P

Shoe Cabinet 120 cm.



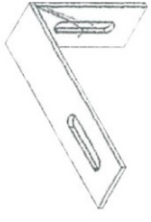
CONNECT SYSTEM



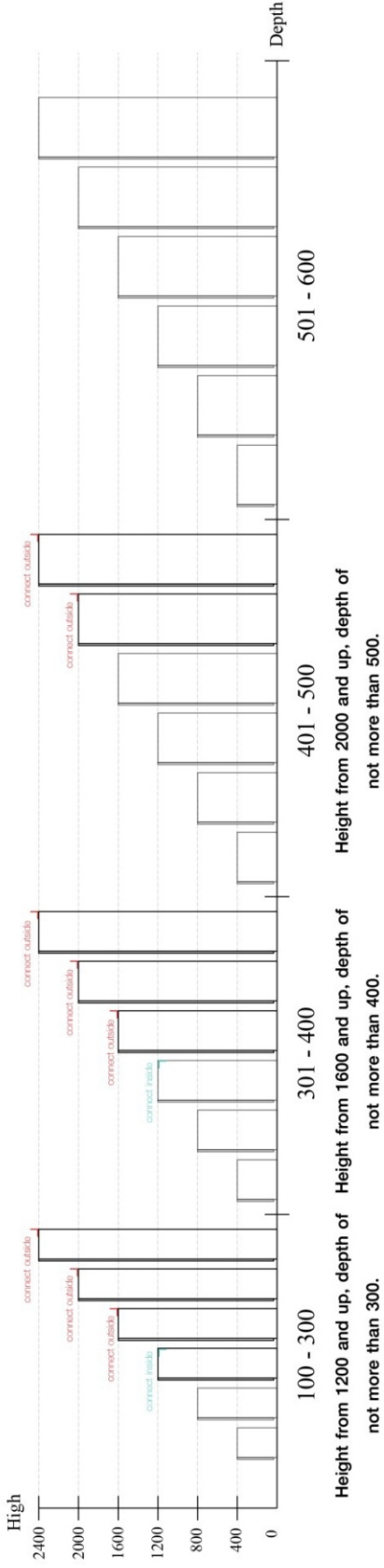


The Standard for identifying which mounted safety fall protection fitting to use **Note : That children's products must be installed with all anti-falling fittings.**

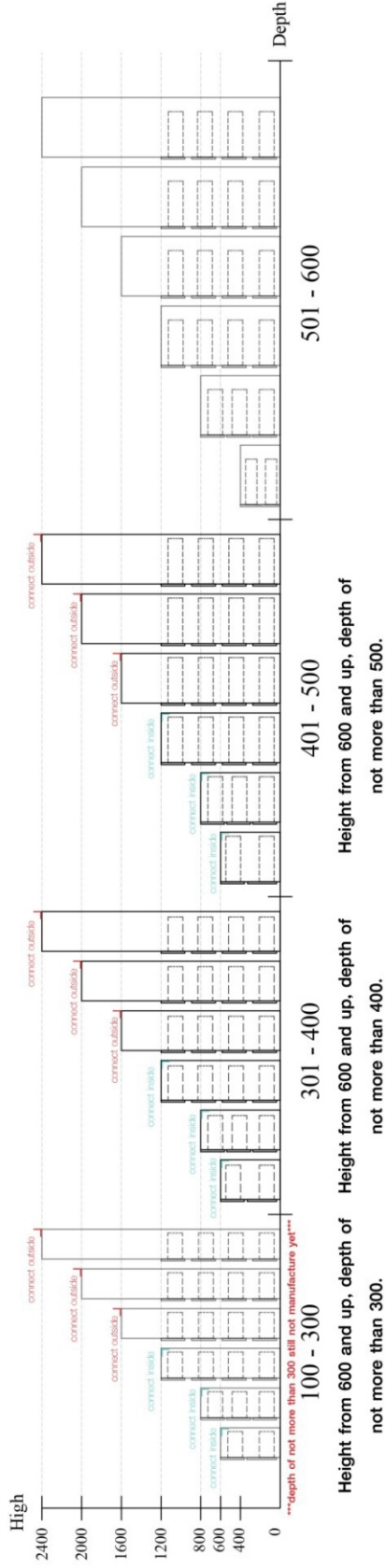
■ Mounted fall protection fittings



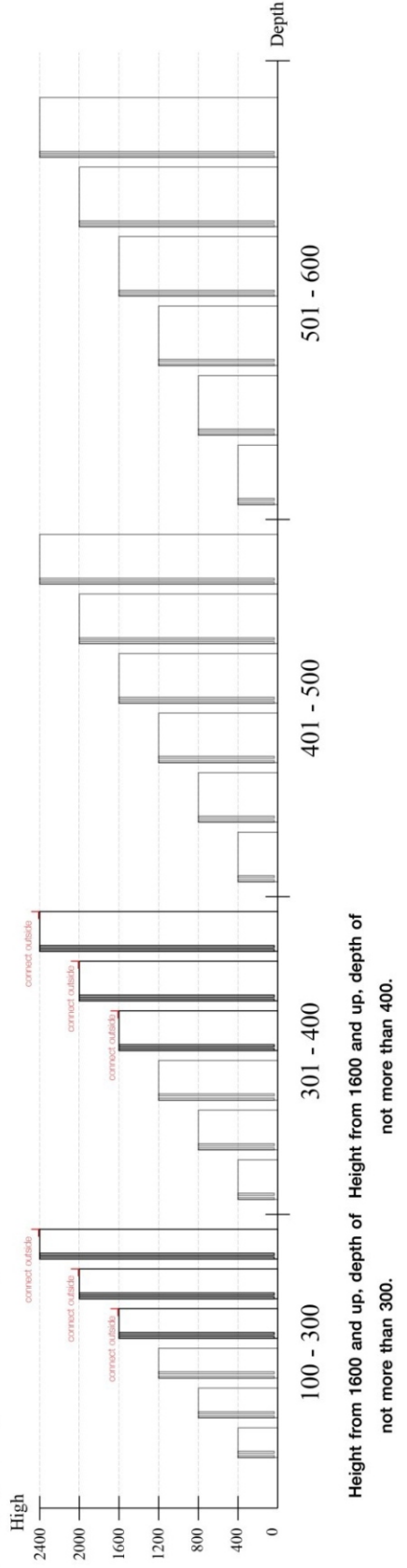
■ Category : Cabinet with open doors



■ Category : Chest of drawers

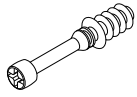


■ Category : Sliding door cabinet / Open cabinet



HARDWARE

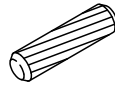
-BODY SET



x 20

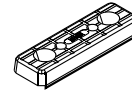


x 20



8x35mm.

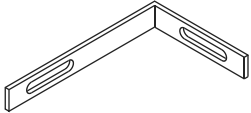
x 24



x 4



x 1



x 1



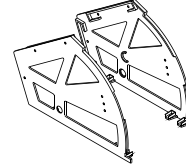
#7x1/2"

x 8

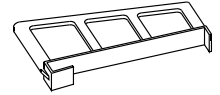


#6x5/8"

x 28



x 4



x 8

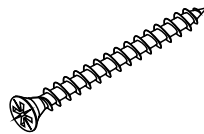


x 8



M4x13mm.

x 40

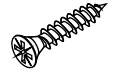


M4x50mm.

x 3

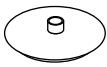


x 12



M3.5x20mm.

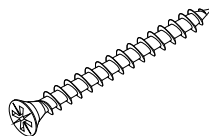
x 12



x 12



x 2



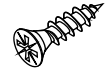
M5x50mm.

x 1



M4x16mm.

x 1

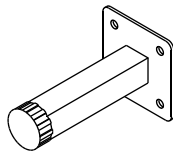


M4x16mm.

x 8



x 4

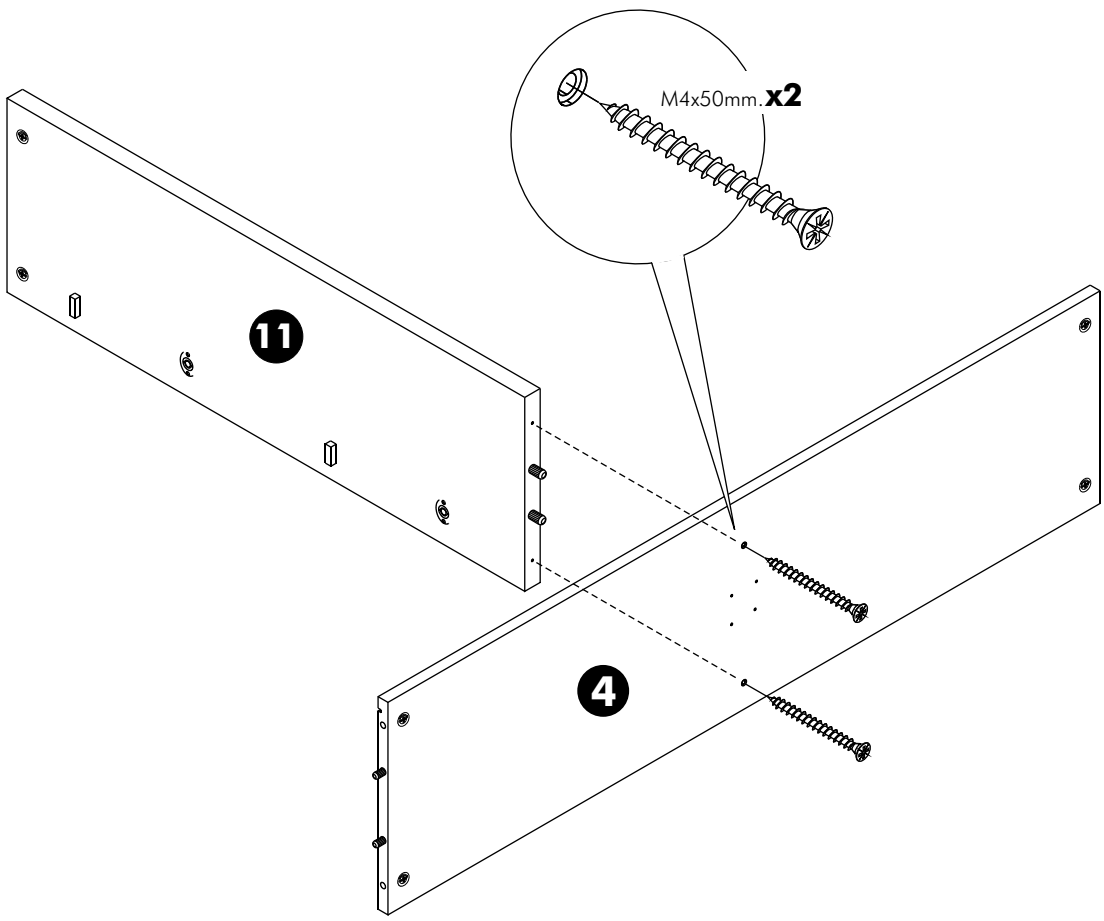


x 1

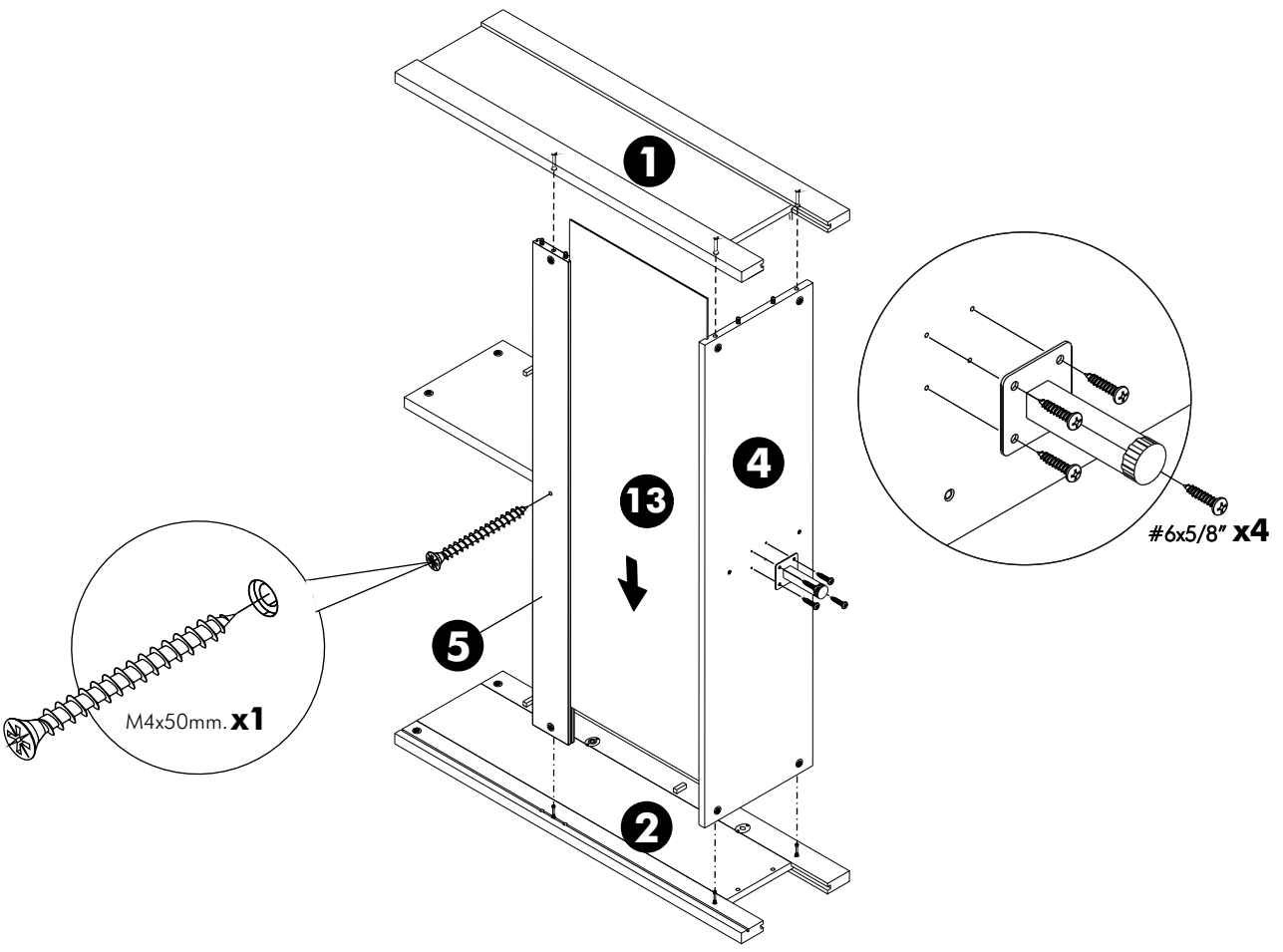
ASSEMBLY

-BODY SET

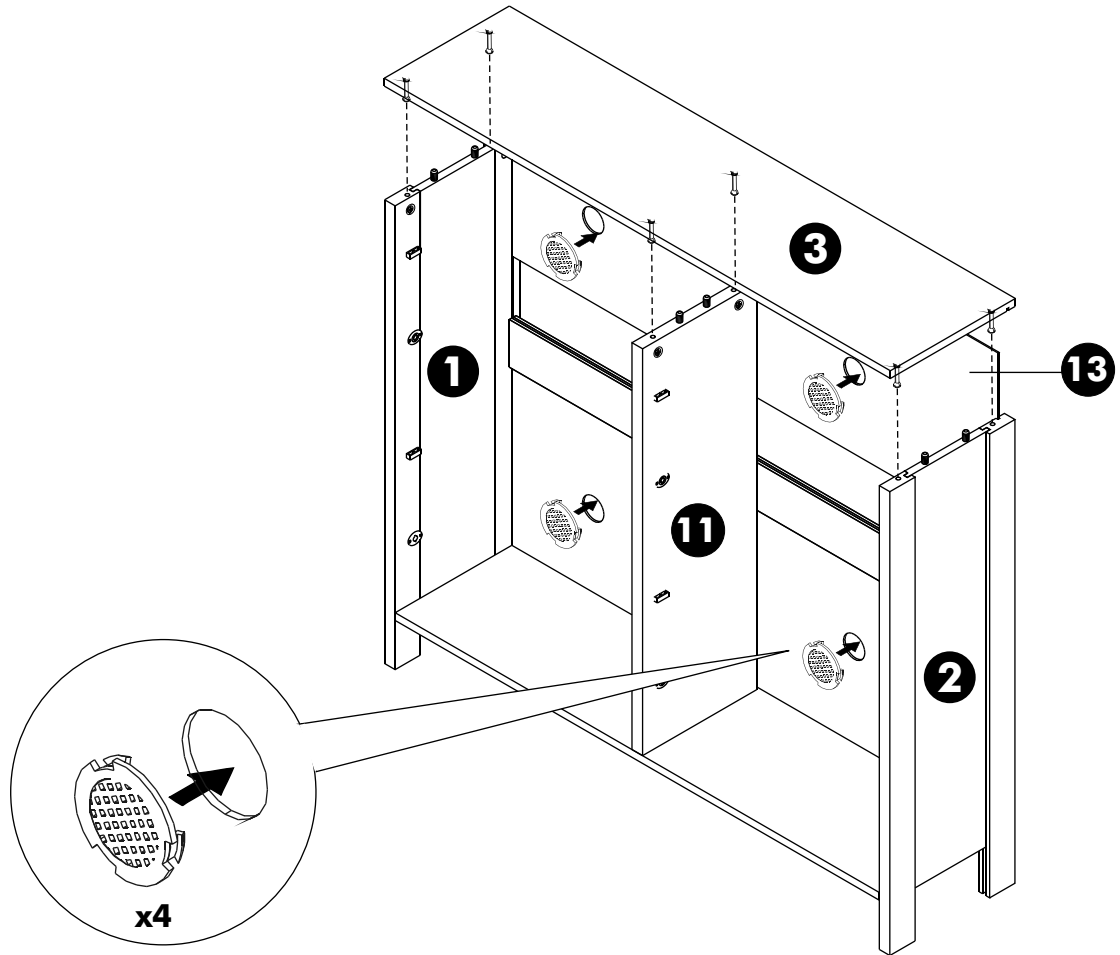
1.



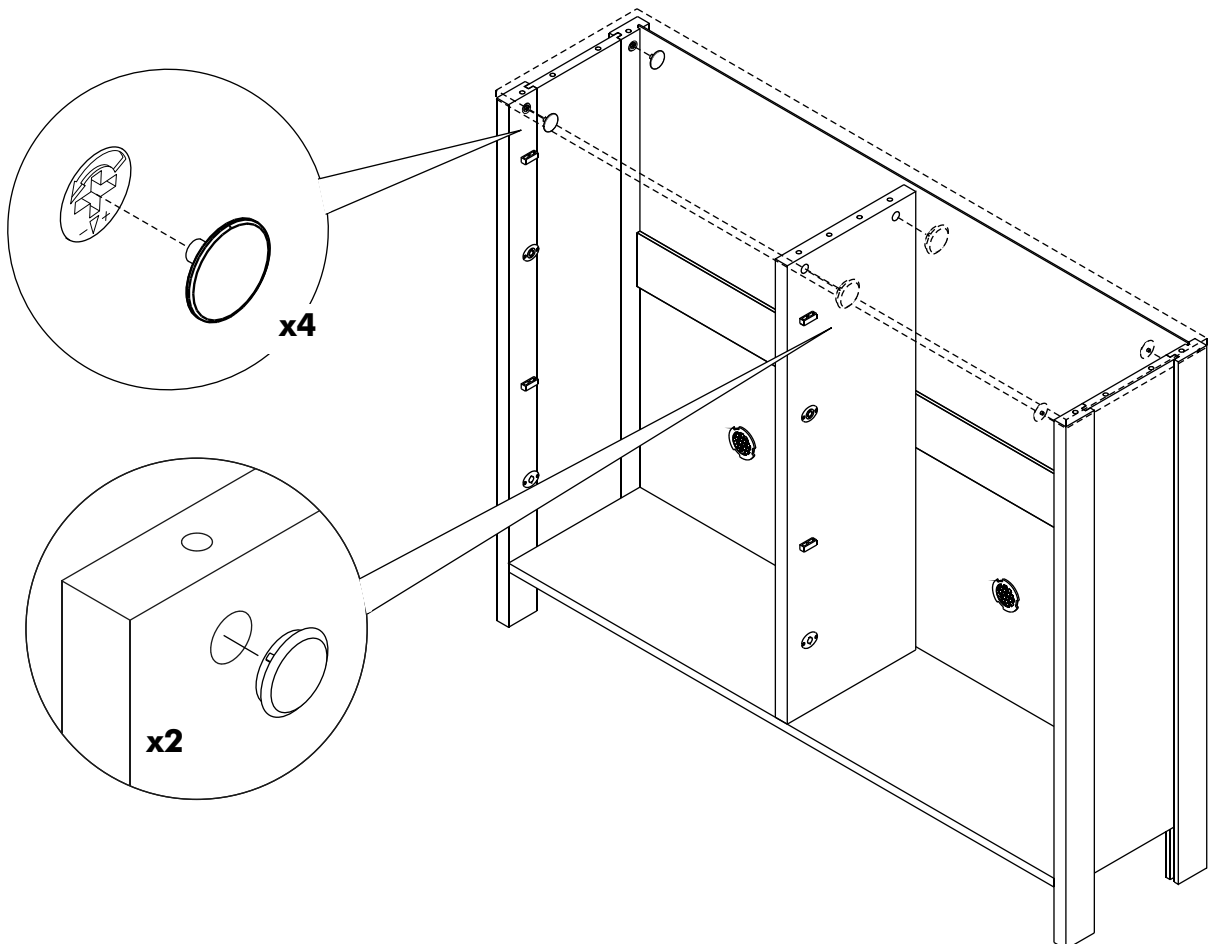
2.



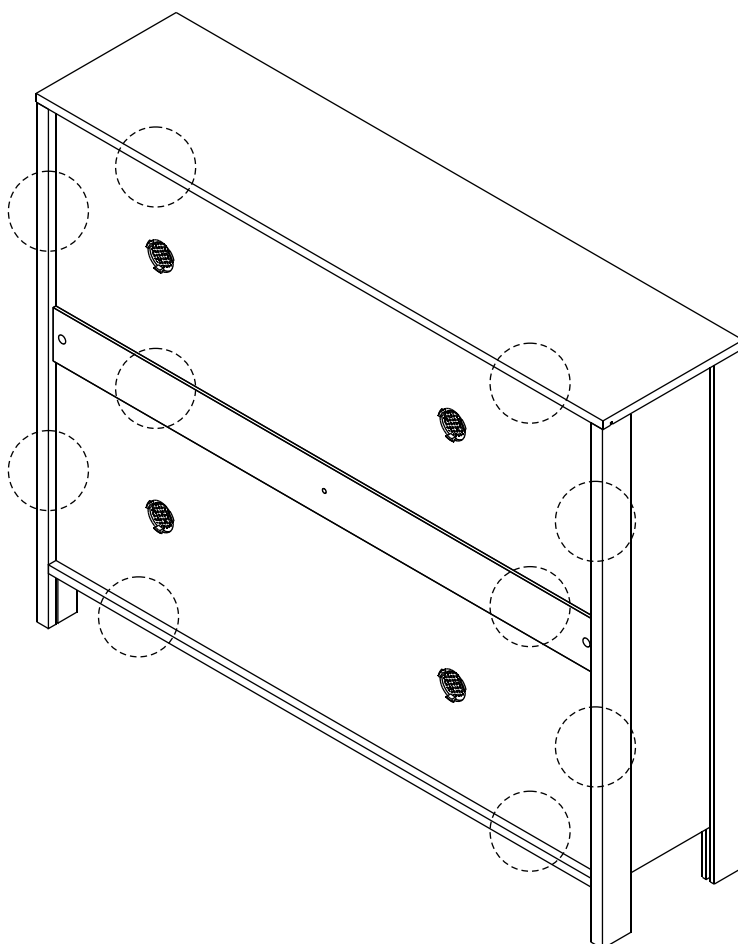
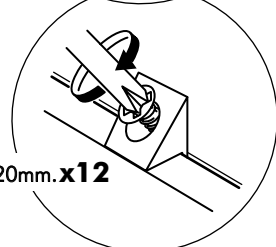
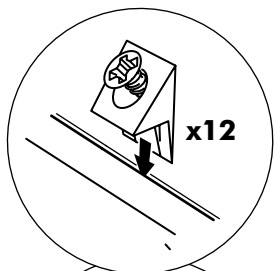
3.



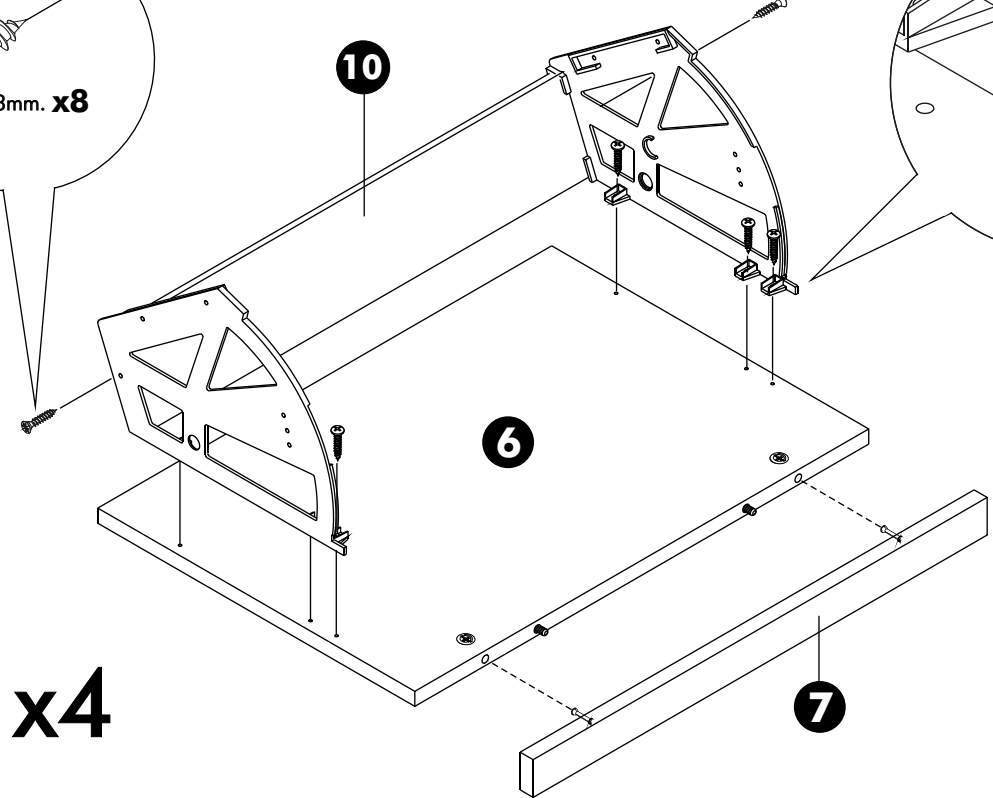
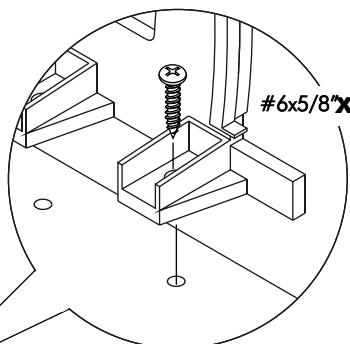
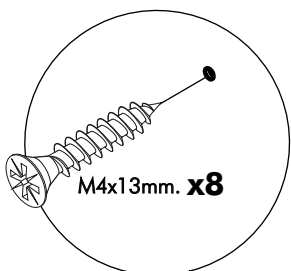
4.



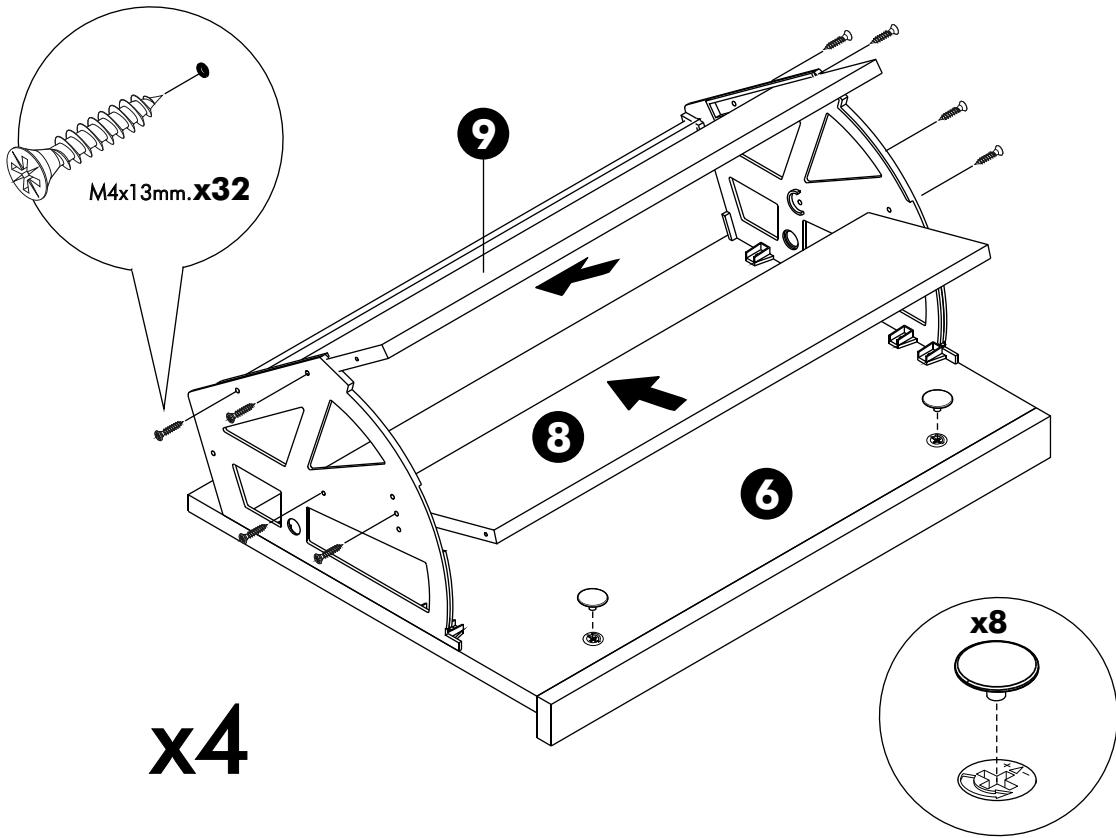
5.



6.



7.



8.

