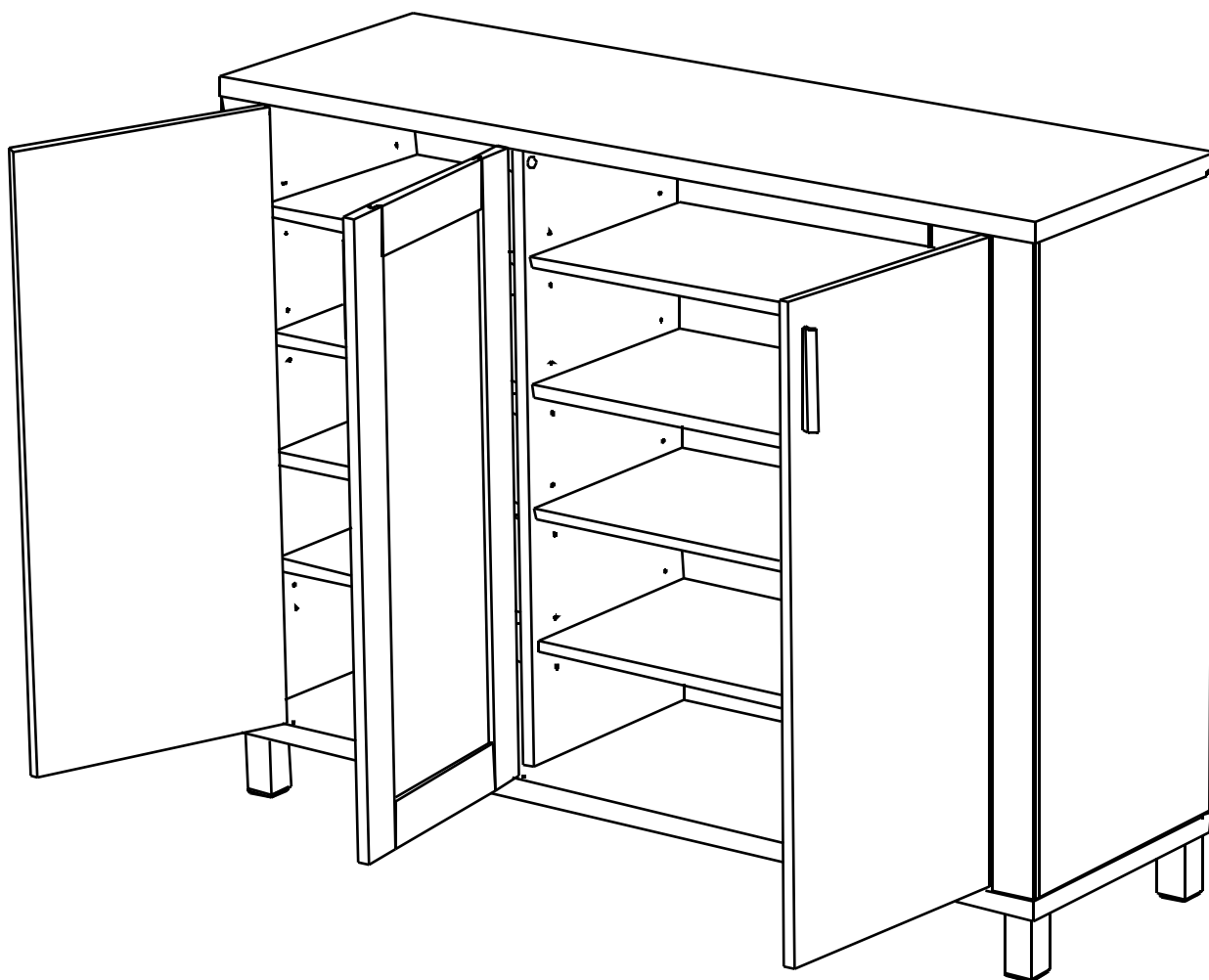


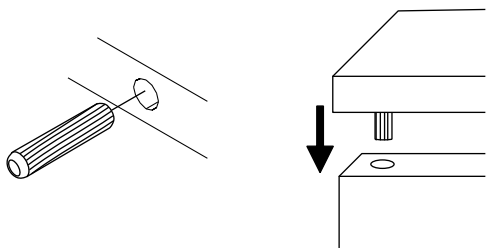
BALLY-L PLUS-P

Shoe cabinet

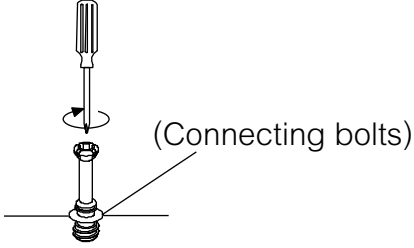


CONNECT SYSTEM

1

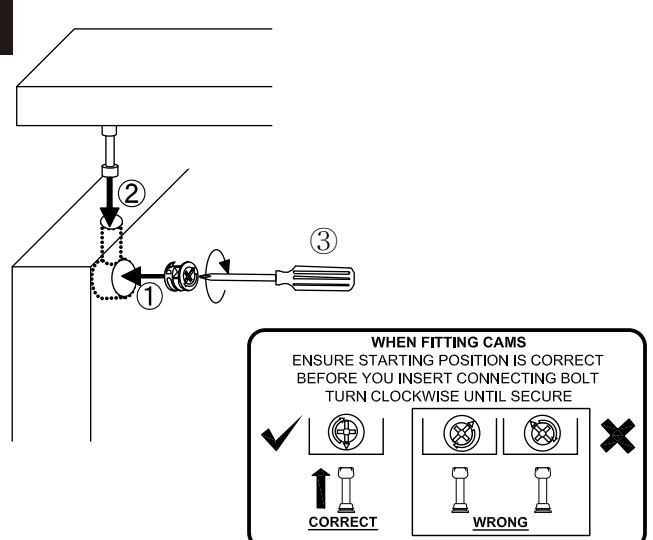


2



(Connecting bolts)

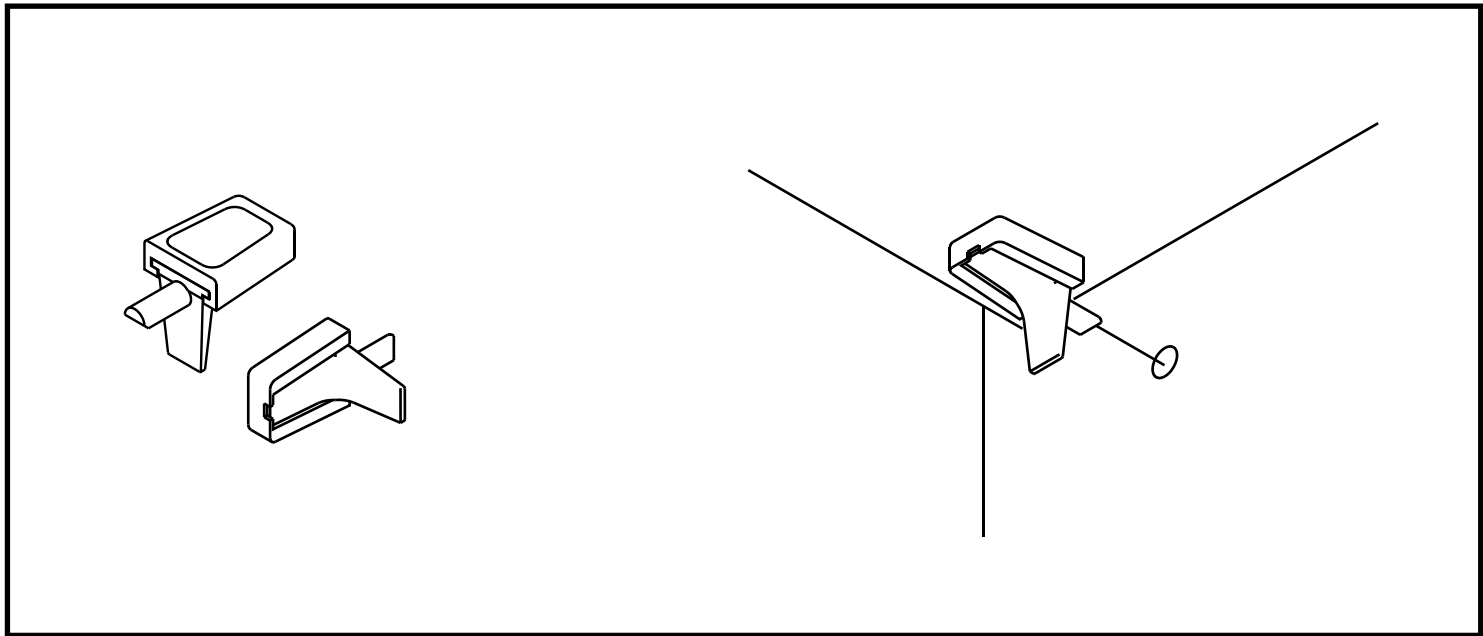
3



WHEN FITTING CAMS
ENSURE STARTING POSITION IS CORRECT
BEFORE YOU INSERT CONNECTING BOLT
TURN CLOCKWISE UNTIL SECURE

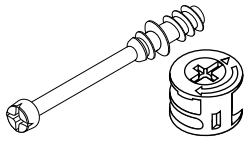
CORRECT

WRONG

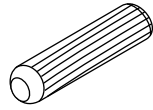


HARDWARE

-BODY SET

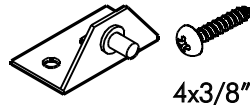


X 10/10



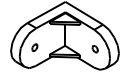
8X35mm.

X 22

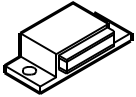


4x3/8"

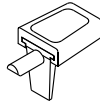
X 6/12



X 4



X 2

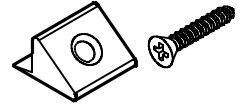


X 28



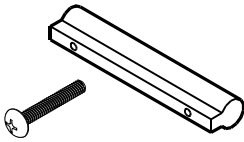
4x3/8"

X 3/3



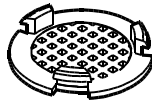
M3.5X20mm.

X 10/10



M4X25mm.

X 6/3



X 6



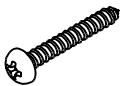
5x1/2"

X 12



7x5/8"

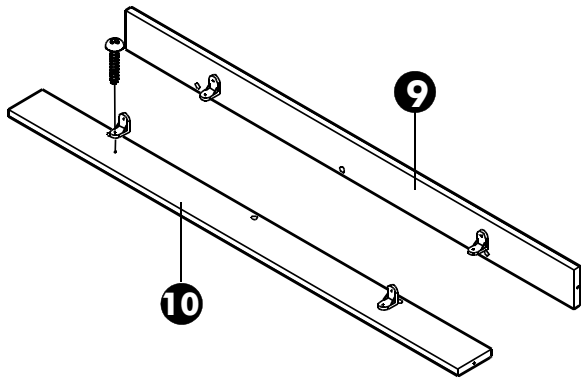
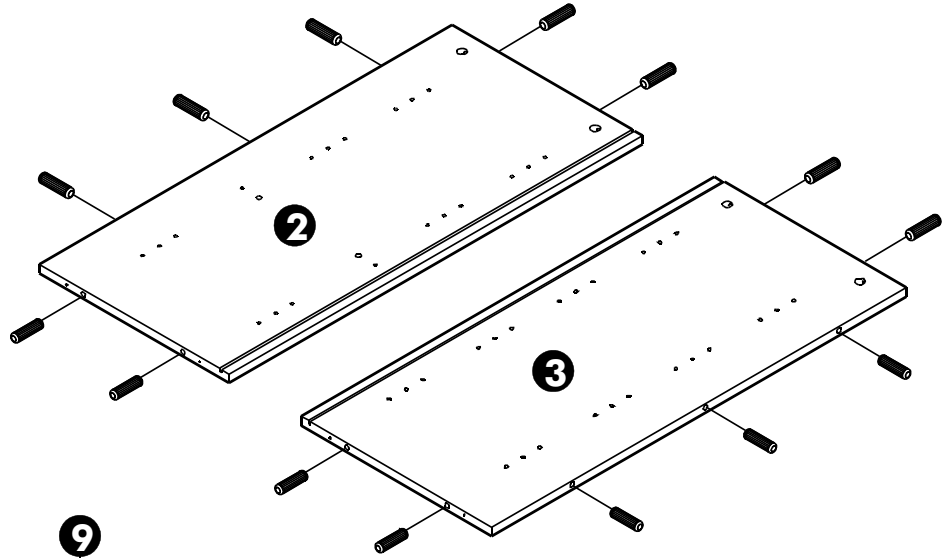
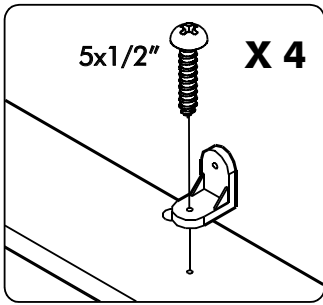
X 16



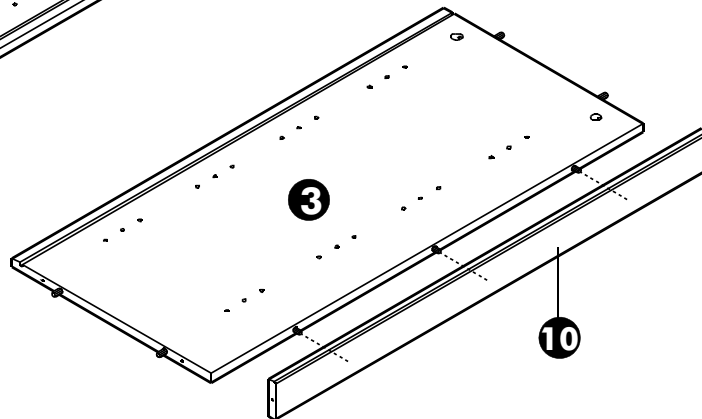
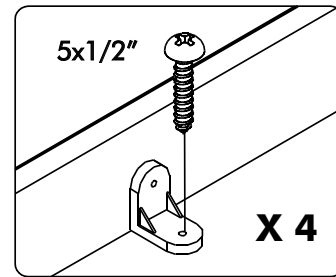
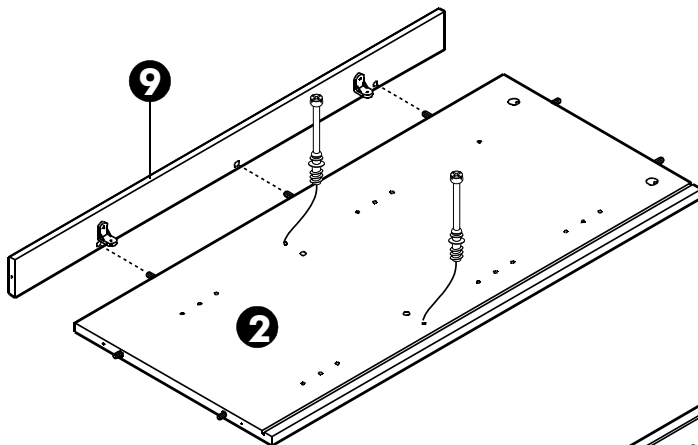
7x1 1/2"

X 8

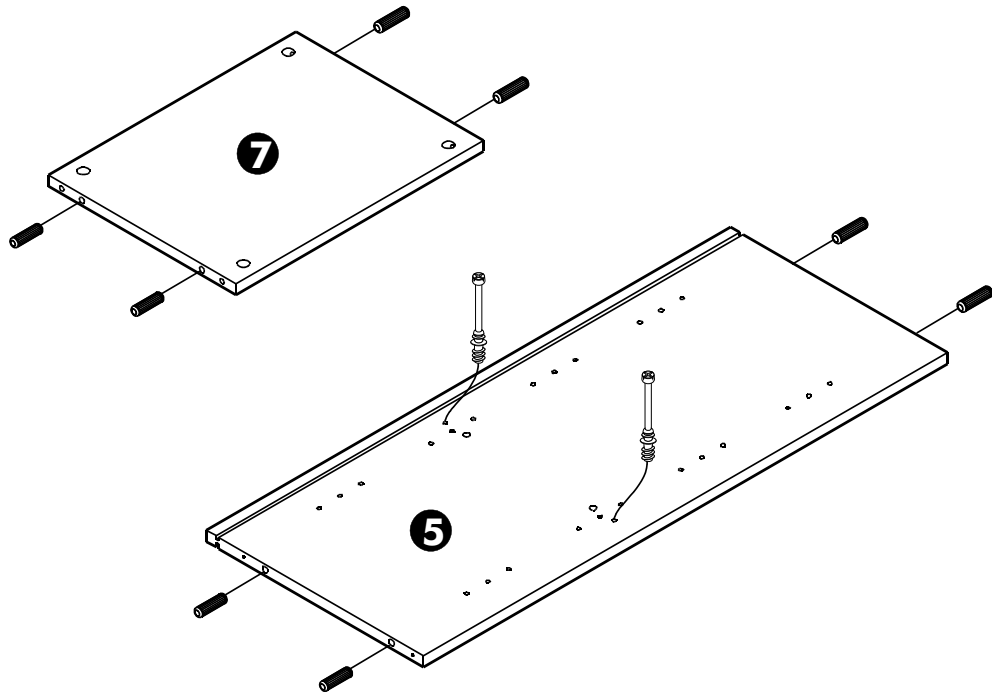
1.



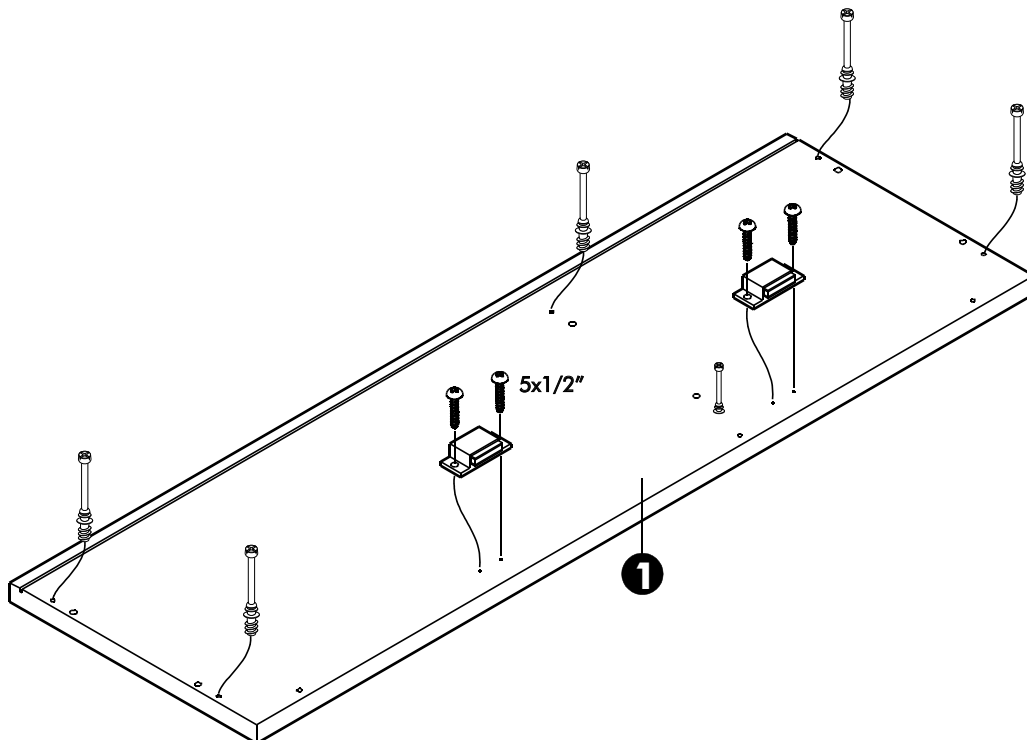
2.



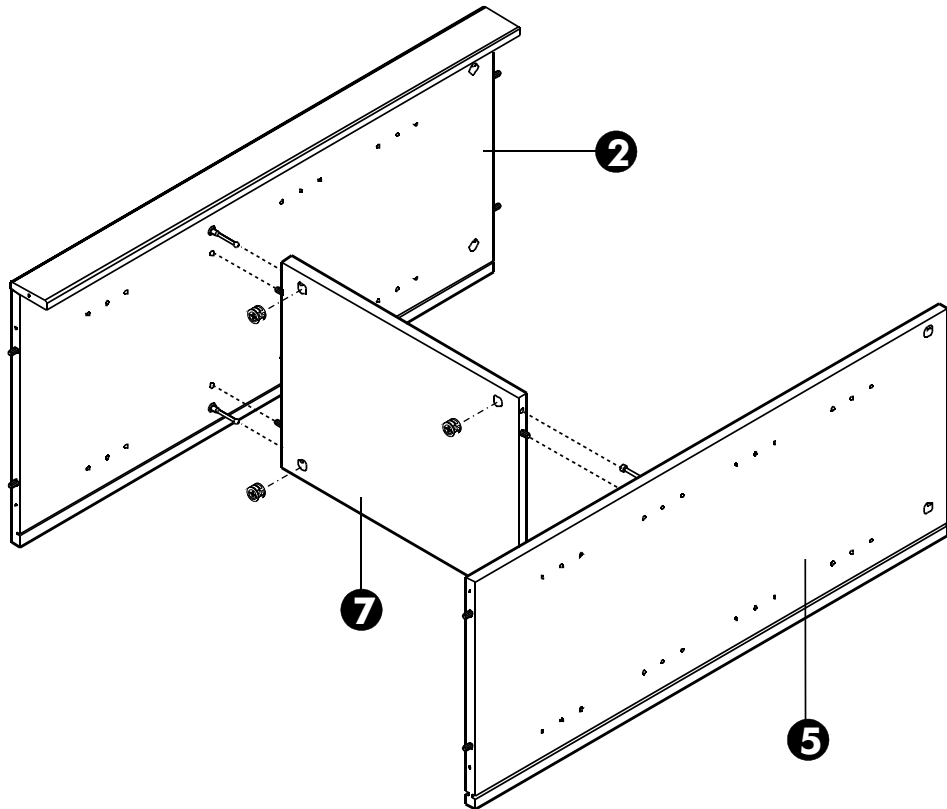
3.



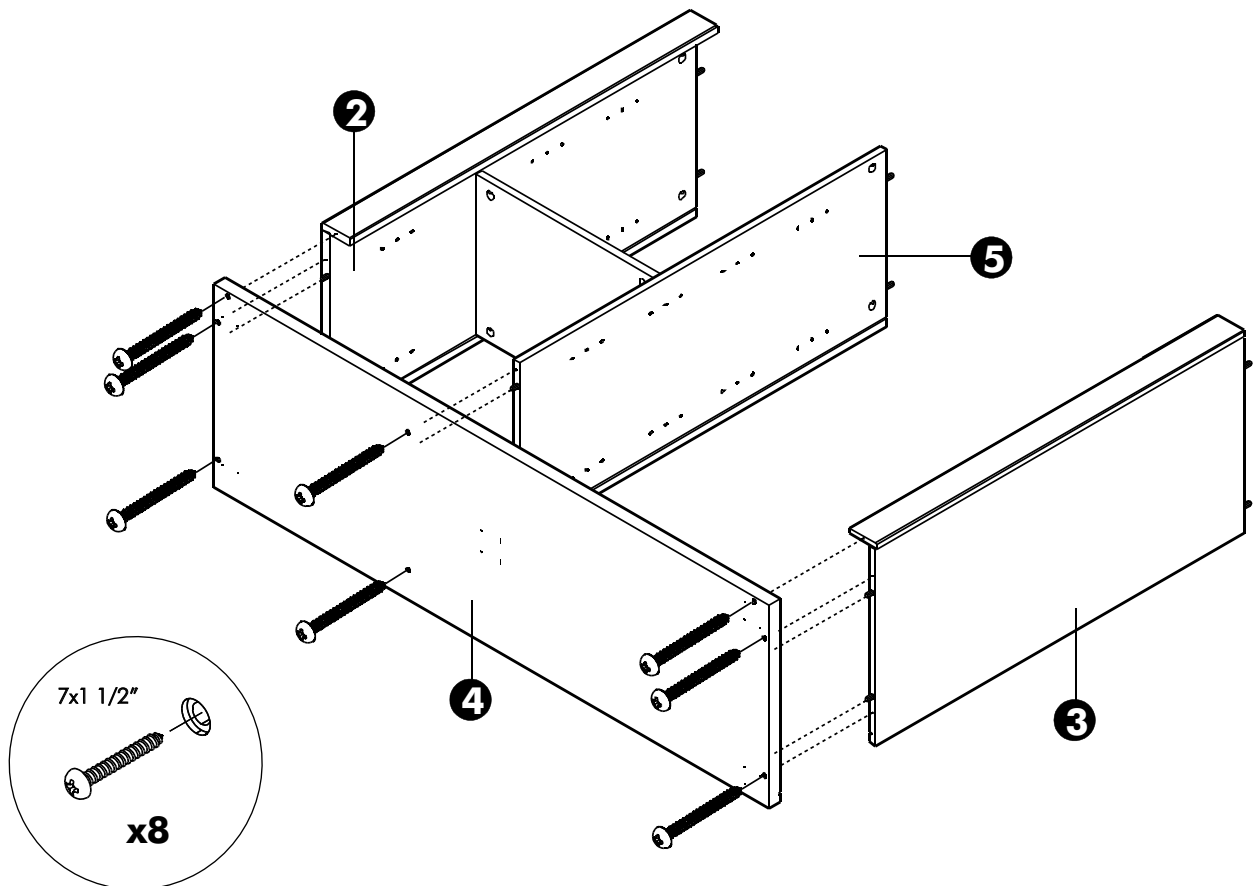
4.



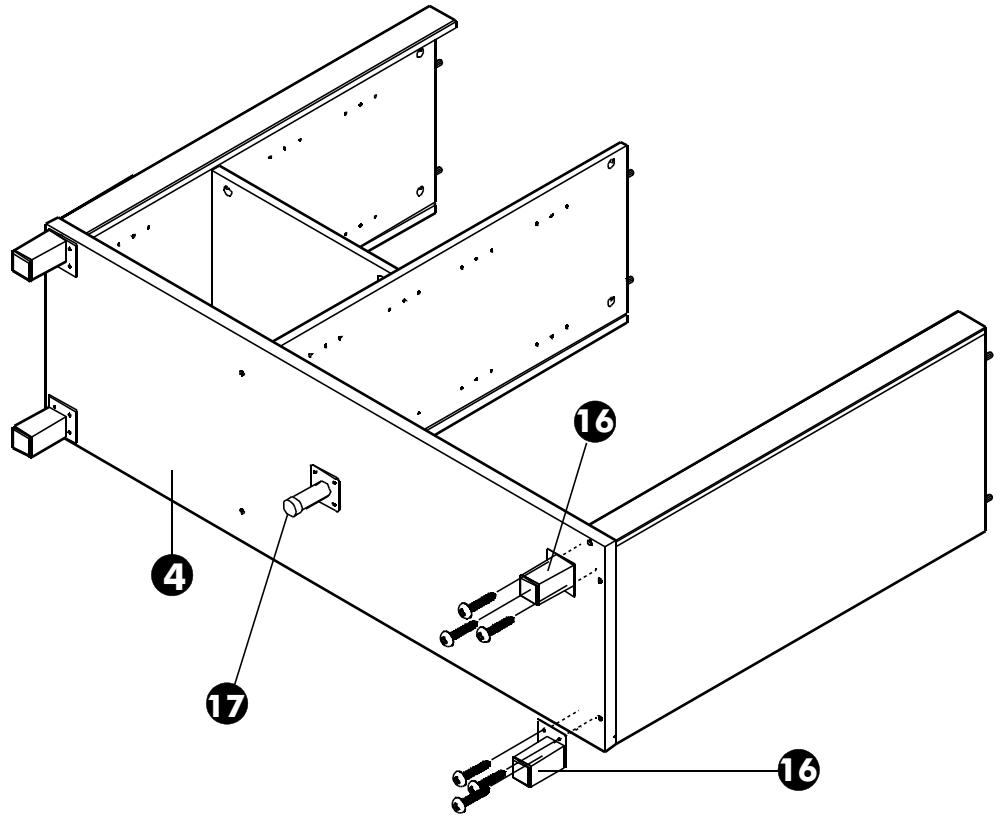
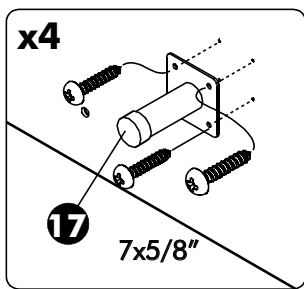
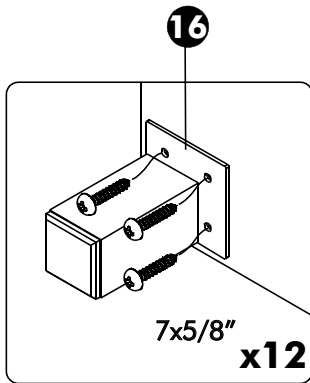
5.



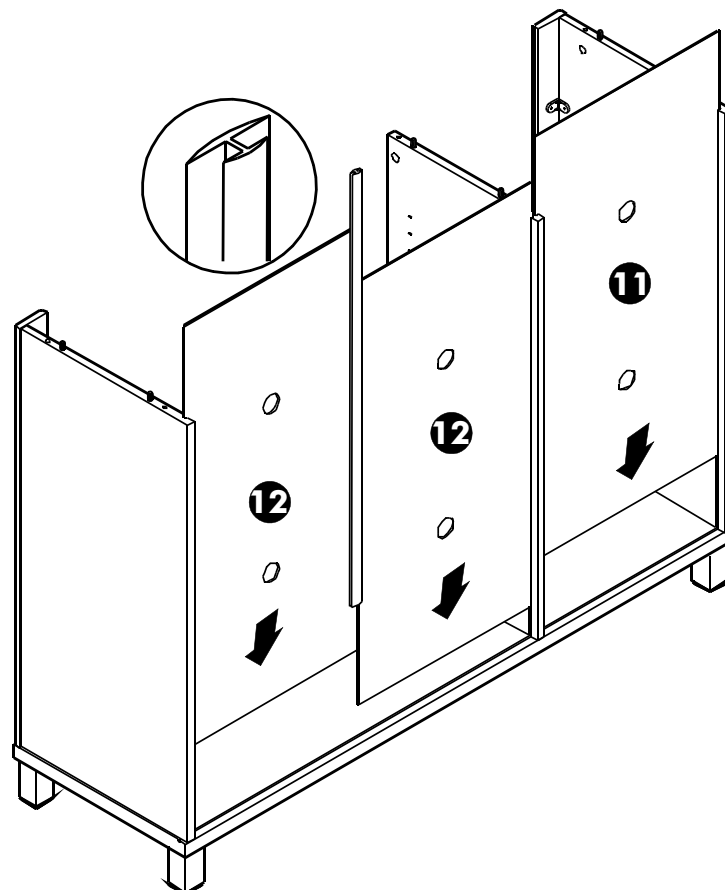
6.



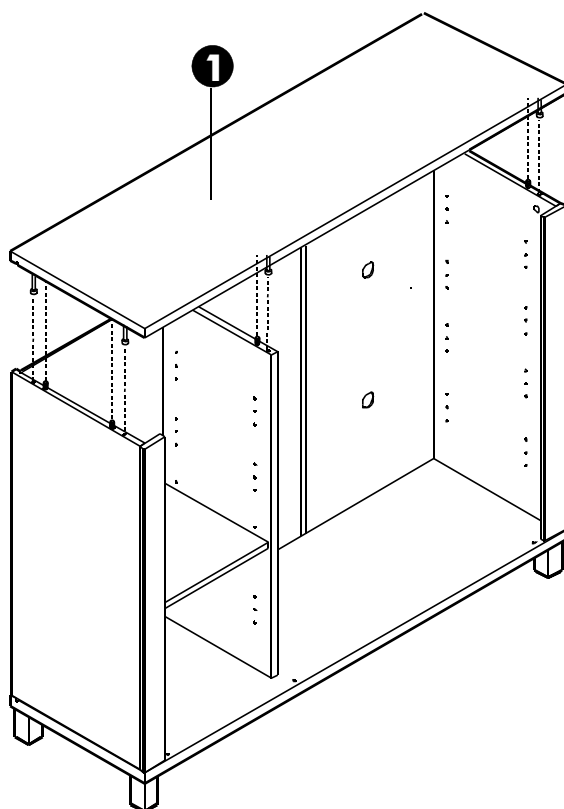
7.



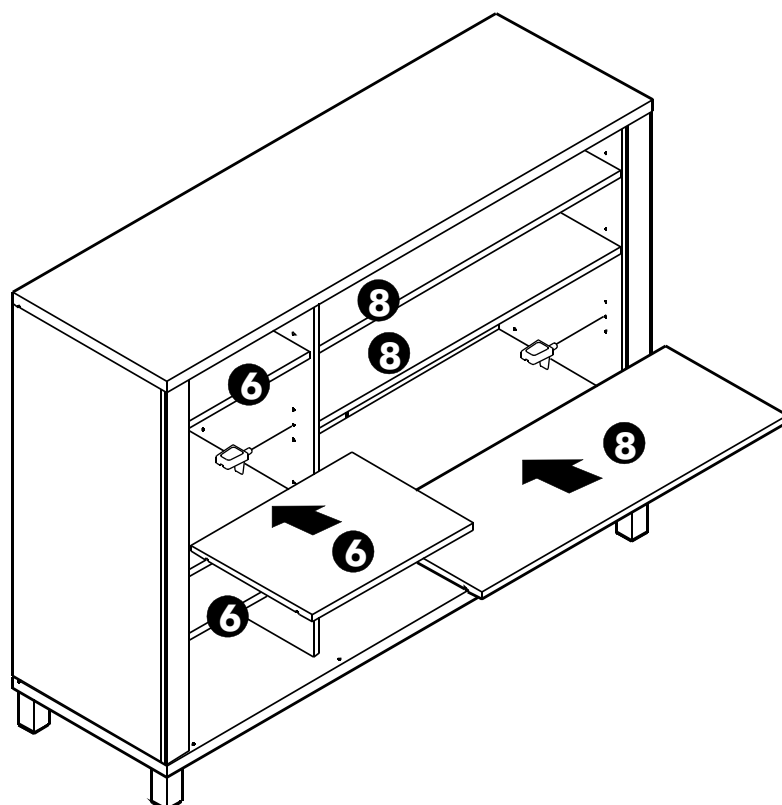
8.



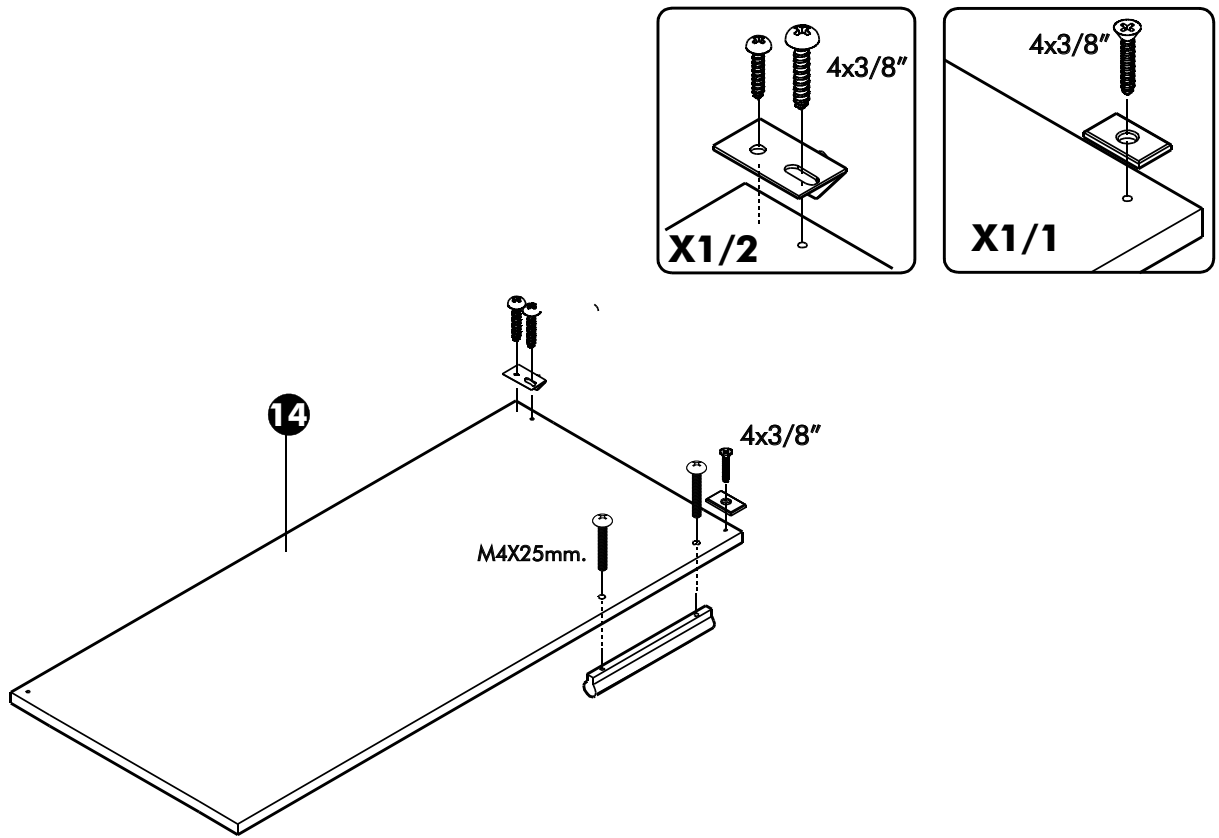
9.



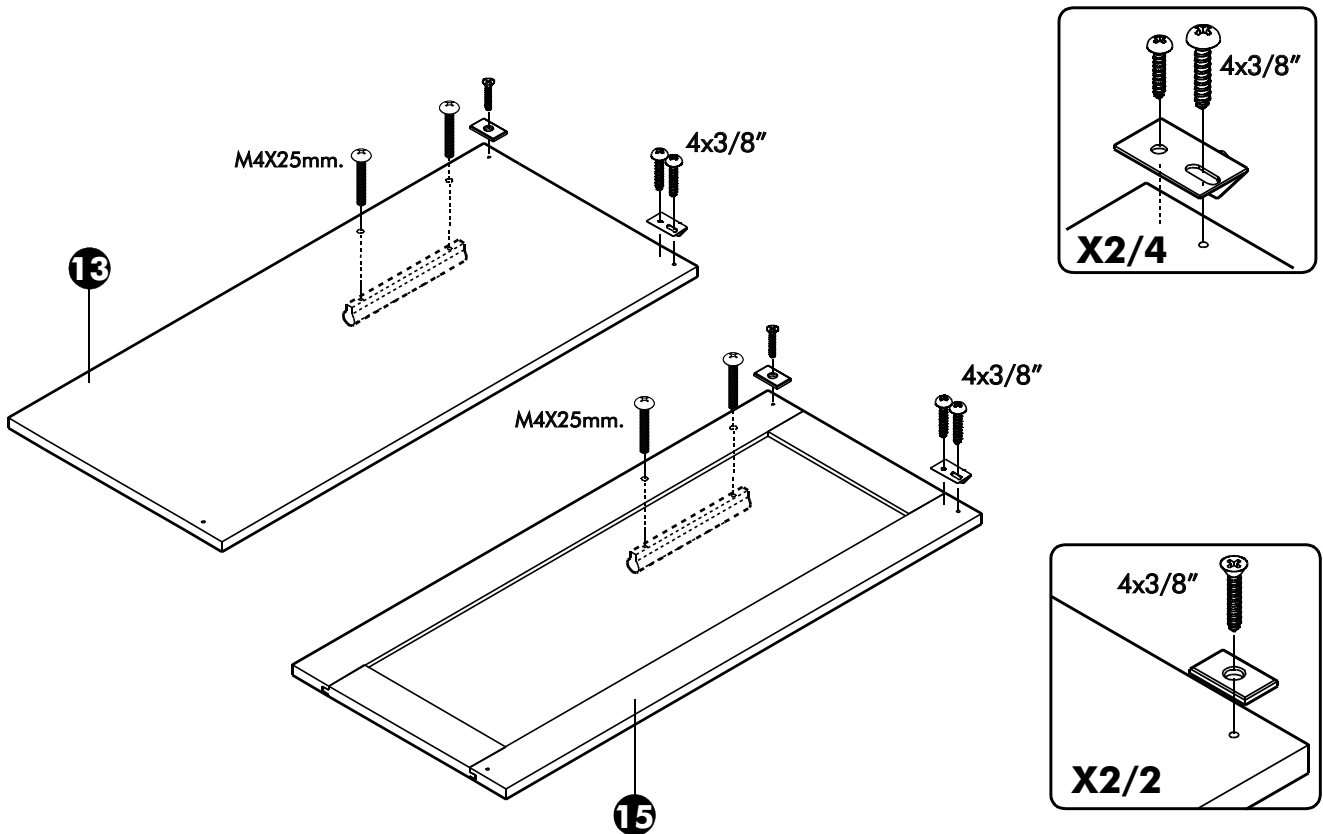
10.



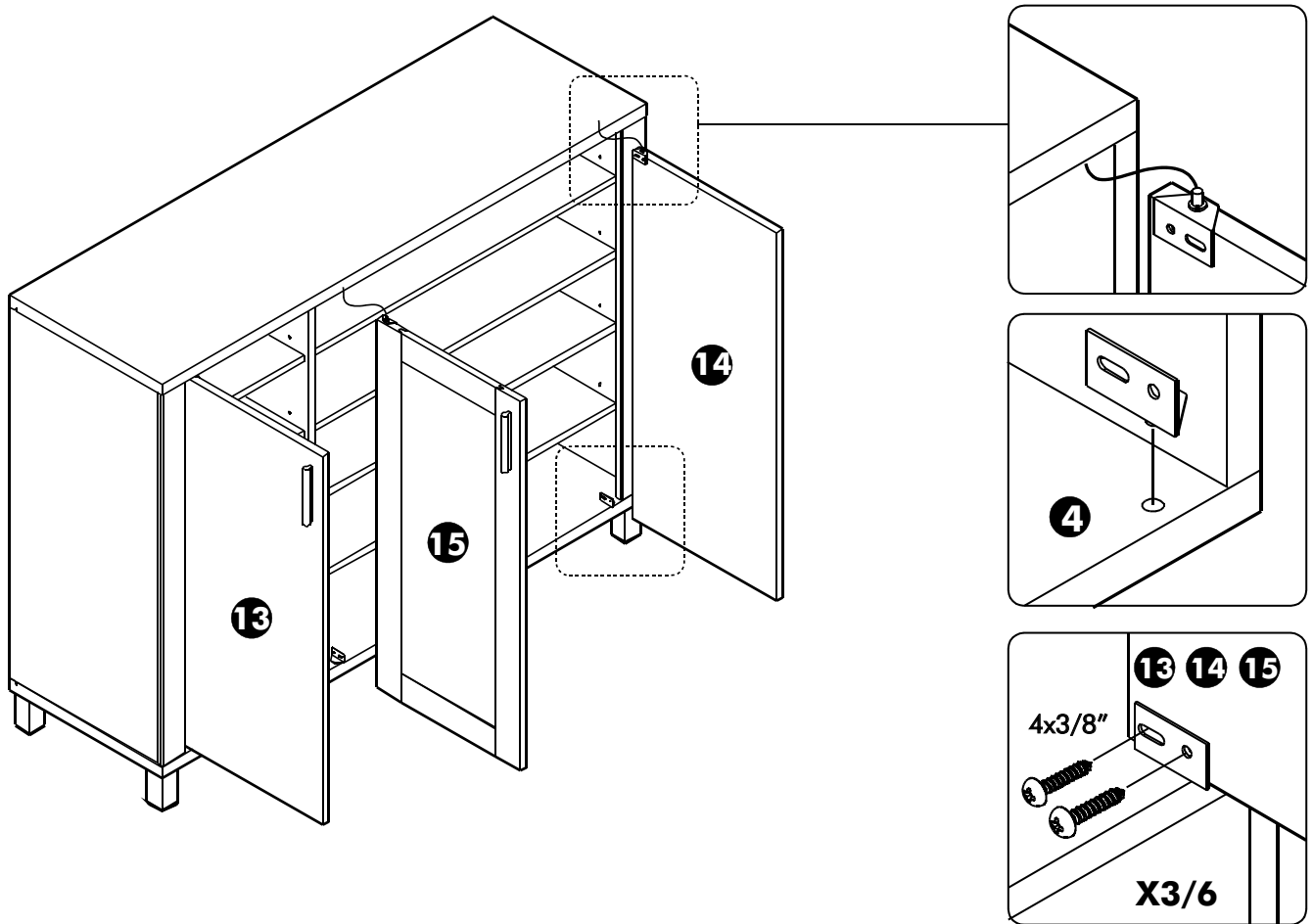
11.



12.



13.



14.

