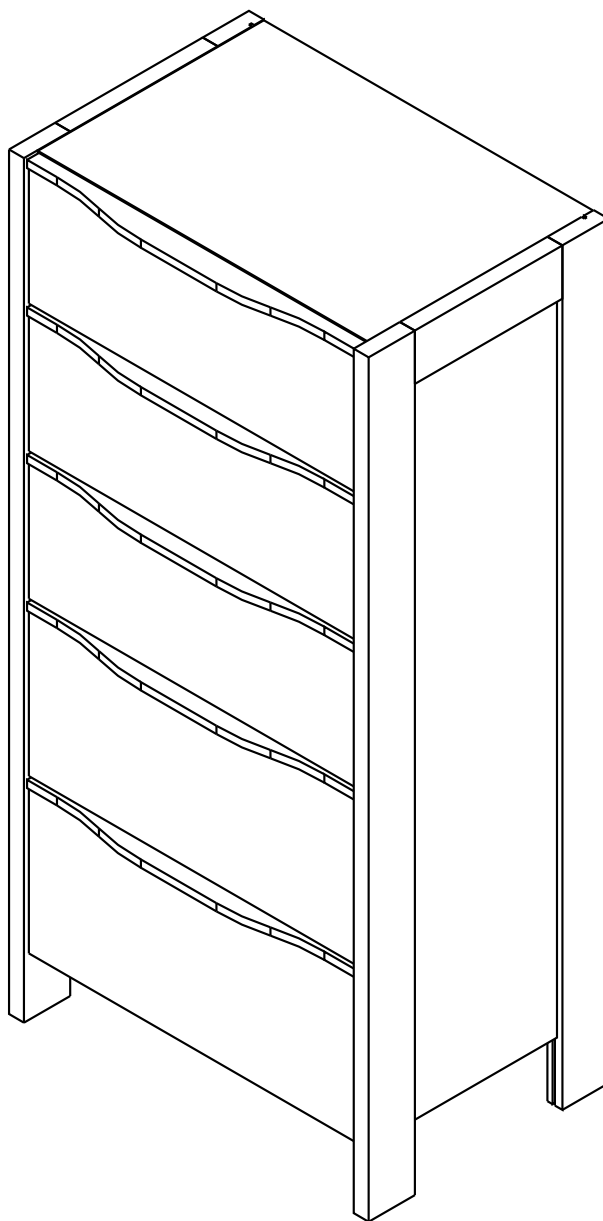


STOCKHOLM-P

High Chest of 5 Drawers



CONNECT SYSTEM

1

3

2

(Connecting bolts)

WHEN FITTING CAMS
ENSURE STARTING POSITION IS CORRECT
BEFORE YOU INSERT CONNECTING BOLT
TURN CLOCKWISE UNTIL SECURE

↑
CORRECT

WRONG

1 Pc.
EQ EQ
≤ 190mm.

2 Pcs.
40mm. 40mm.
≥ 191-850mm.

3 Pcs.
100mm. EQ EQ 100mm.
> 850-2000mm.

4 Pcs.
100mm. EQ EQ EQ 100mm.
> 2001mm.

M4x16mm.

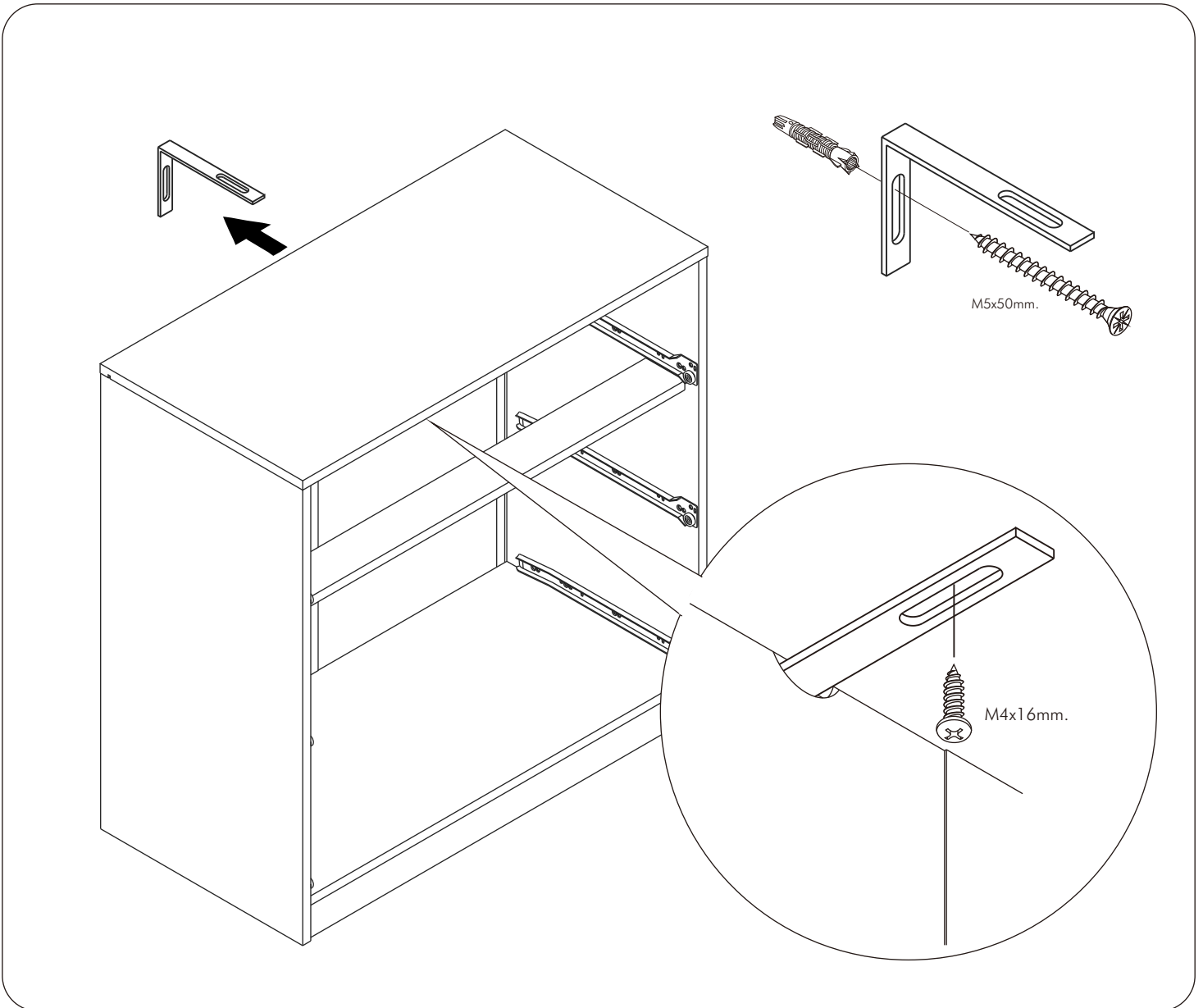
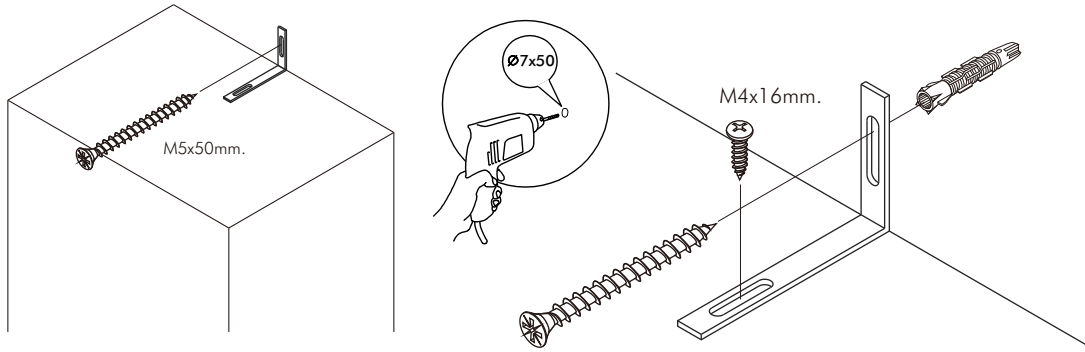
OUT IN

i 40mm.

1

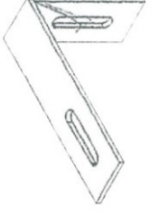
M3.5x13mm.

2

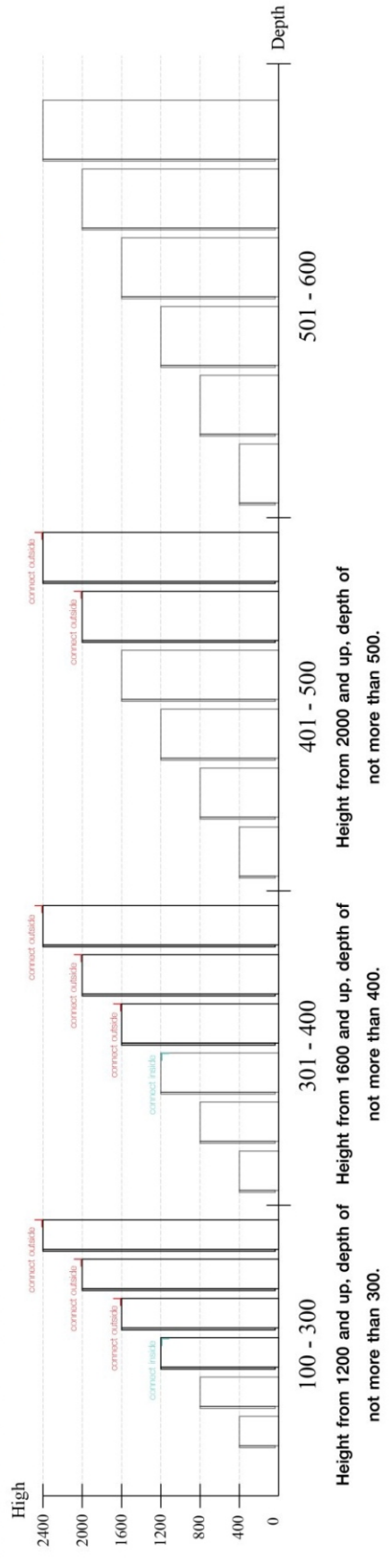


■ **The Standard for identifying which mounted safety fall protection fitting to use** **Note : That children's products must be installed with all anti-falling fittings.**

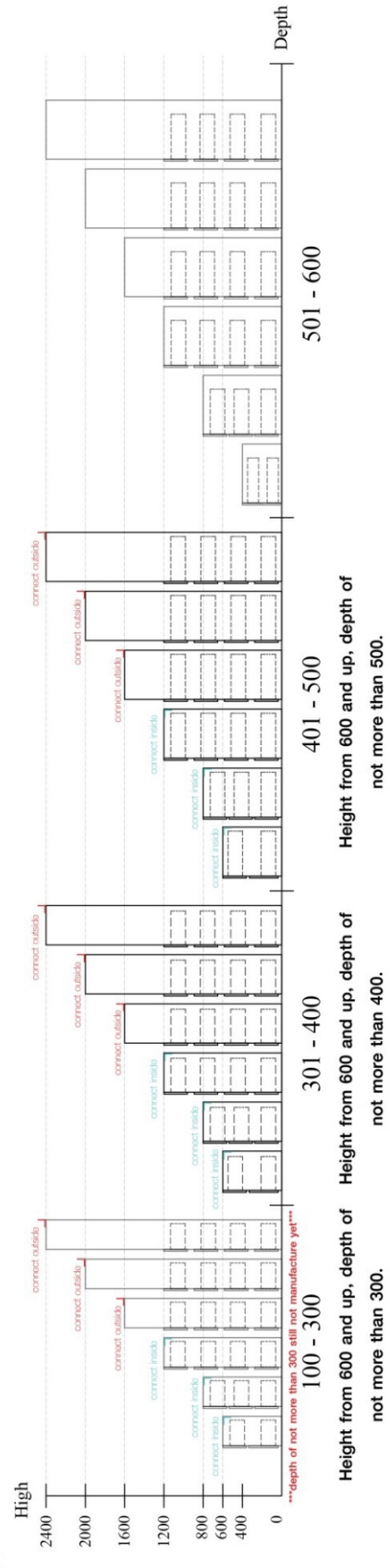
■ Mounted fall protection fittings



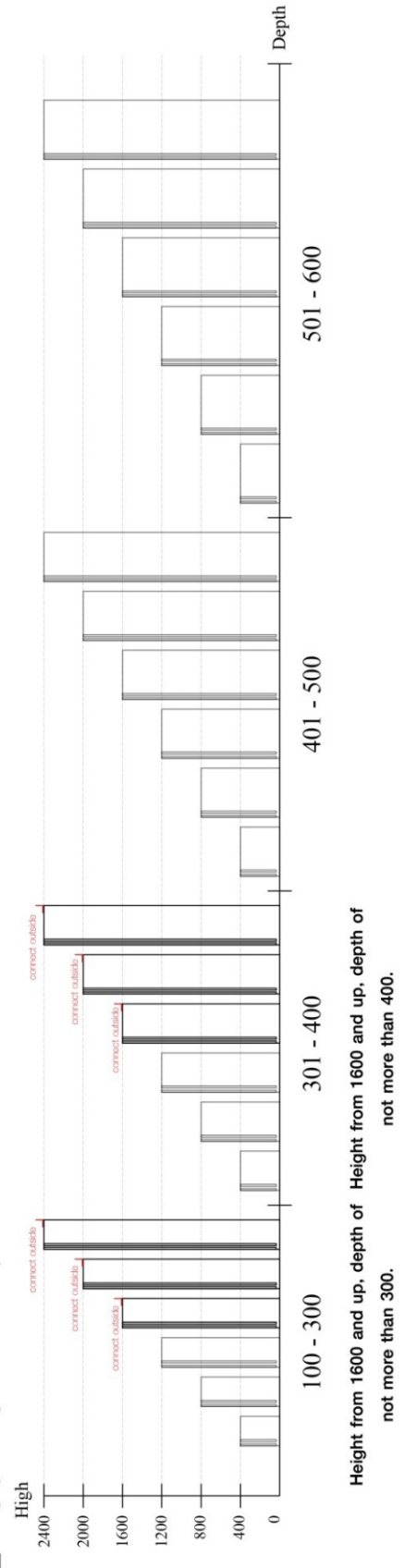
■ **Category : Cabinet with open doors**



■ **Category : Chest of drawers**

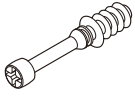


■ **Category : Sliding door cabinet / Open cabinet**



HARDWARE

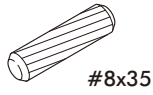
-BODY SET



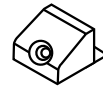
x 27



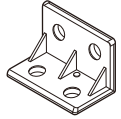
x 27



x 22



x 6



x 2



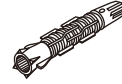
x 4



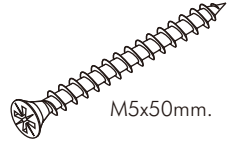
x 6



x 1



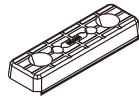
x 1



x 1

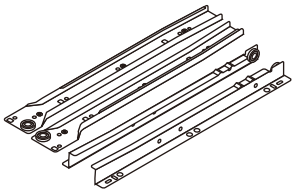


x 16



x 4

-DRAWER SET



x 5



x 70



x 50



x 25



x 1

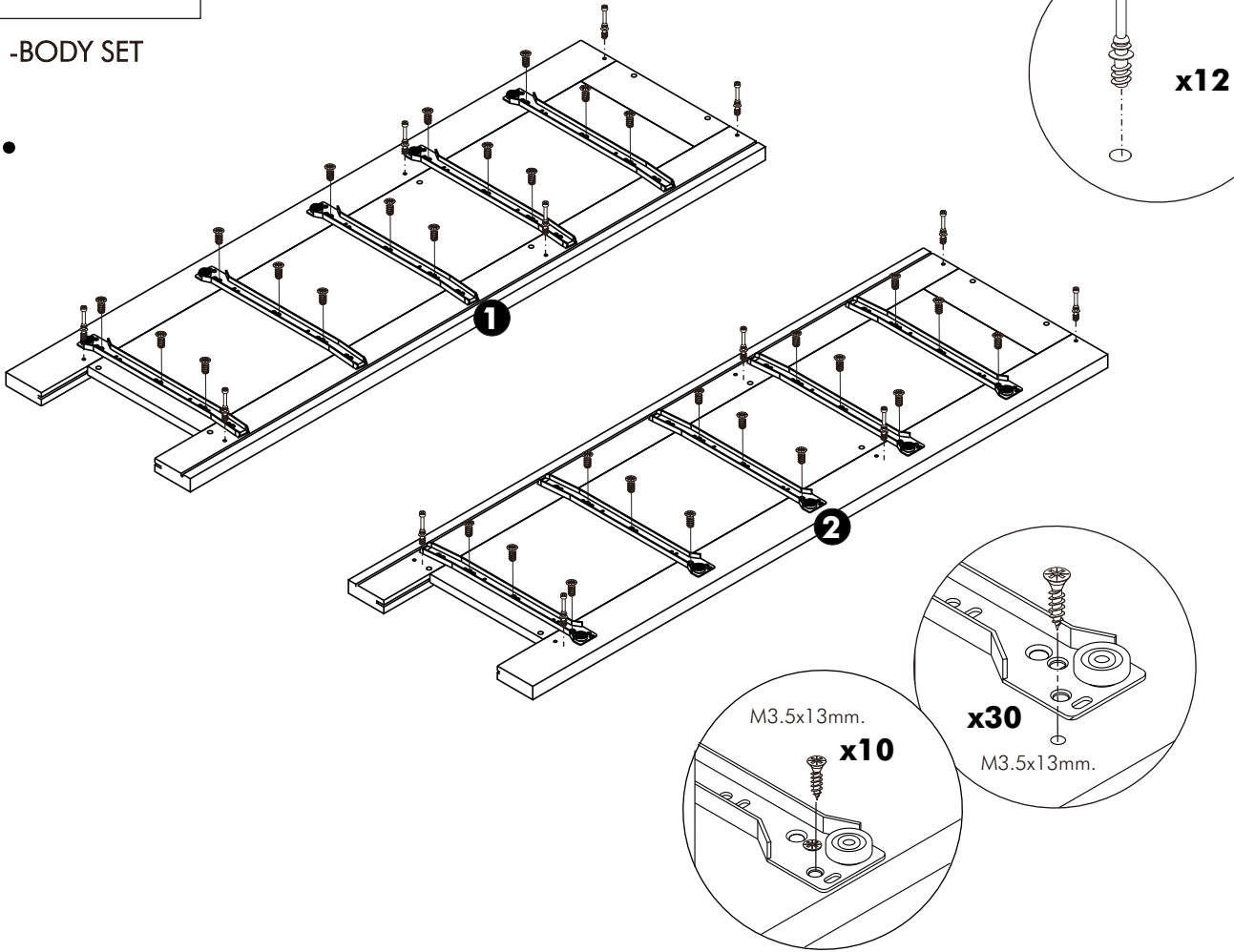


x 1

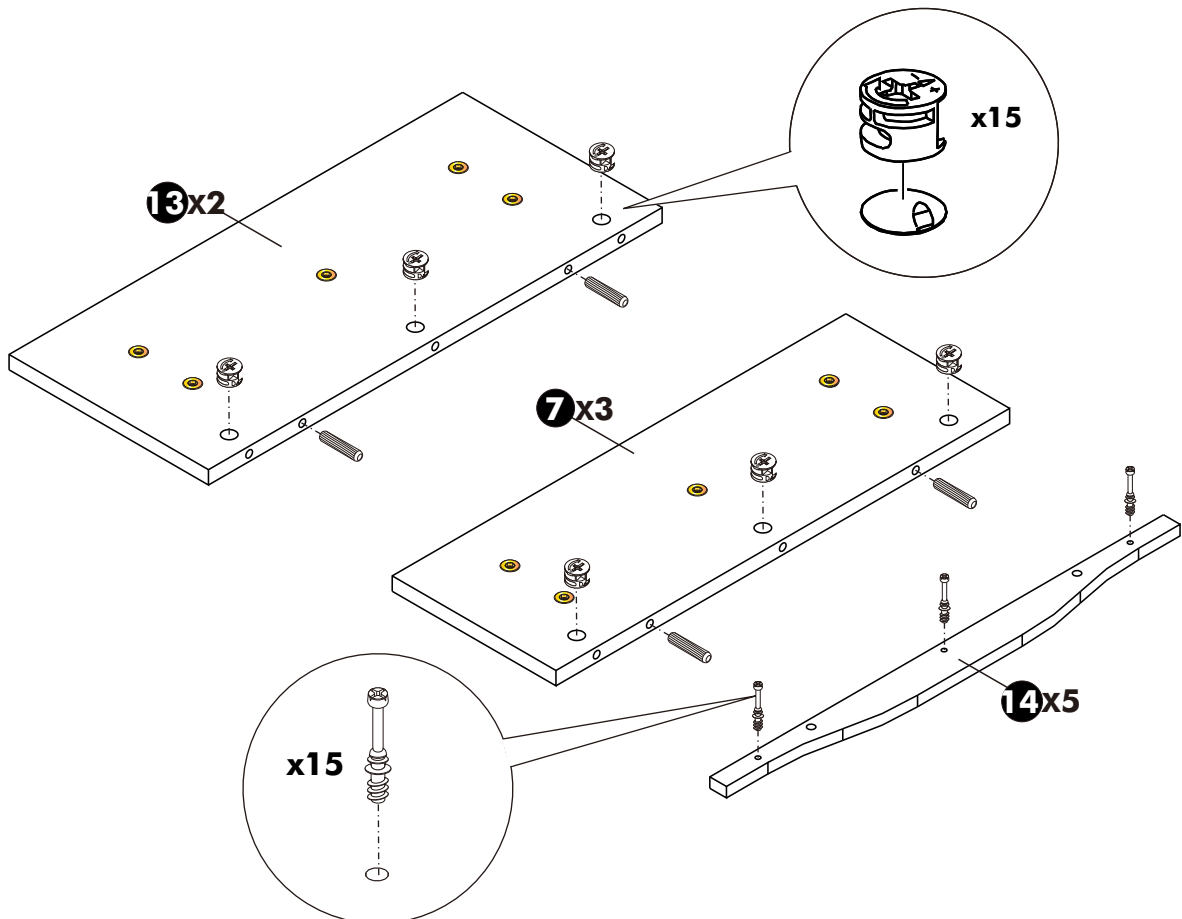
ASSEMBLY

-BODY SET

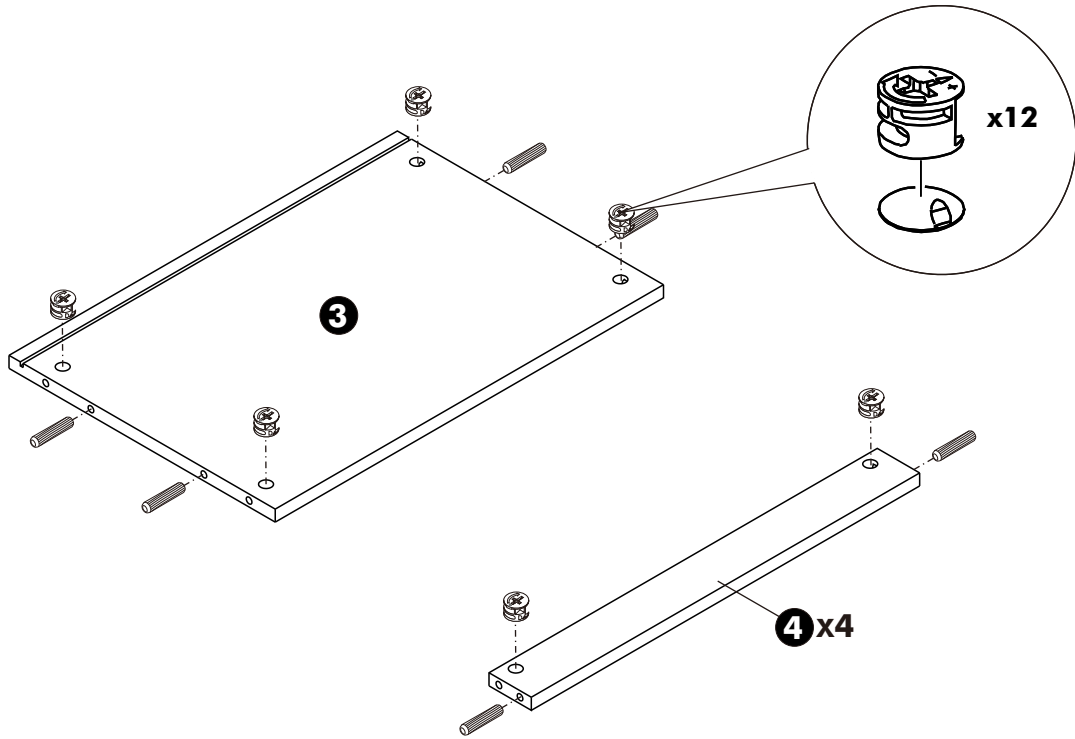
1.



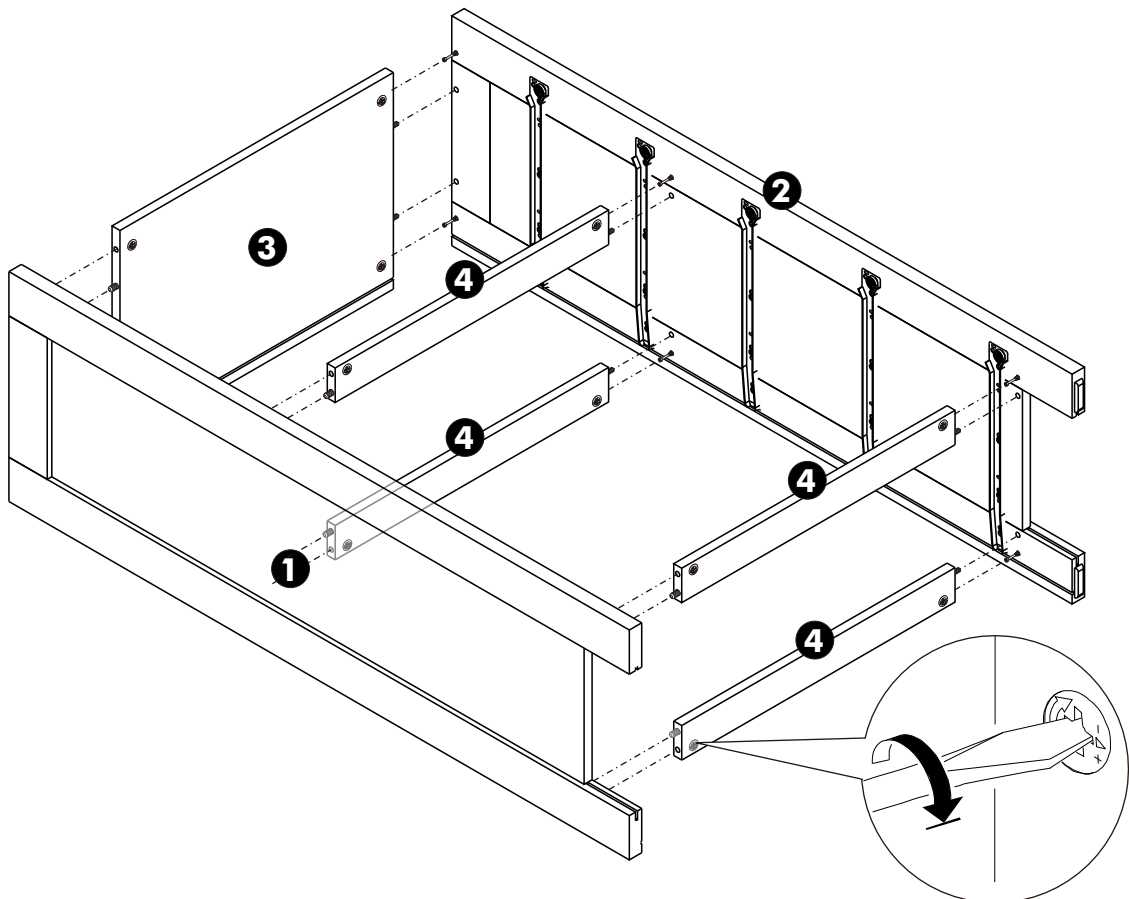
2.



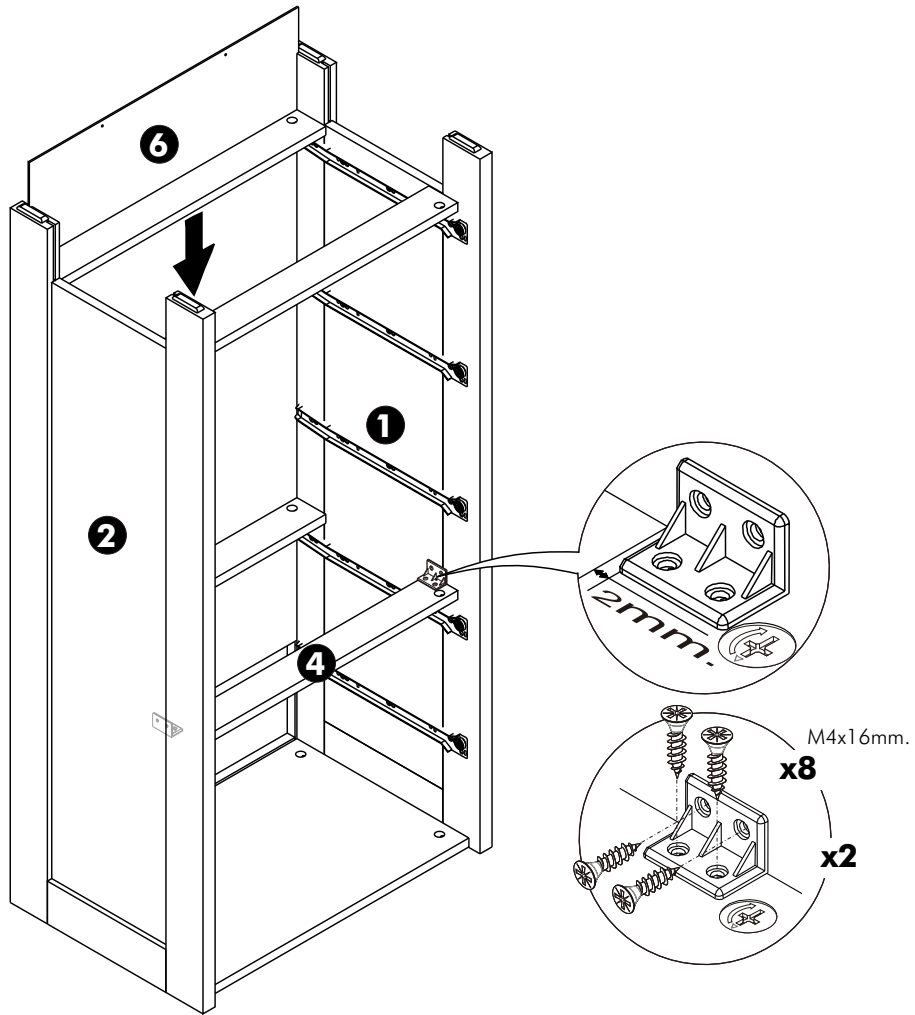
3.



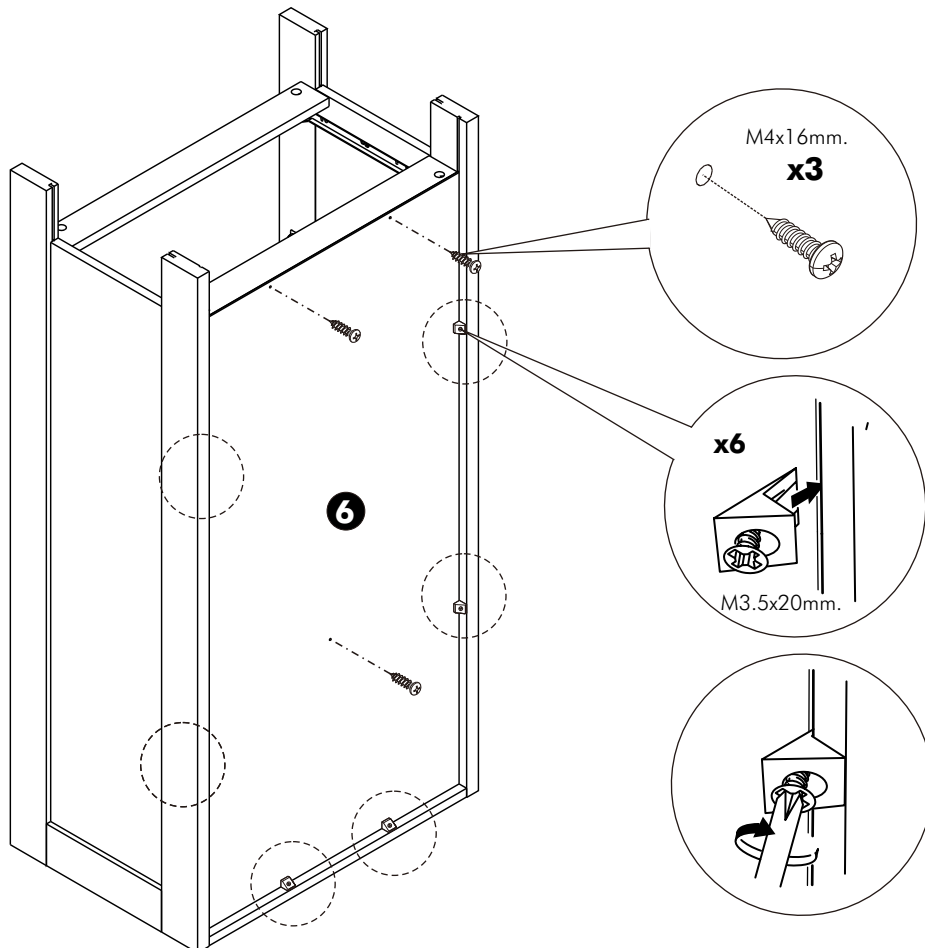
4.



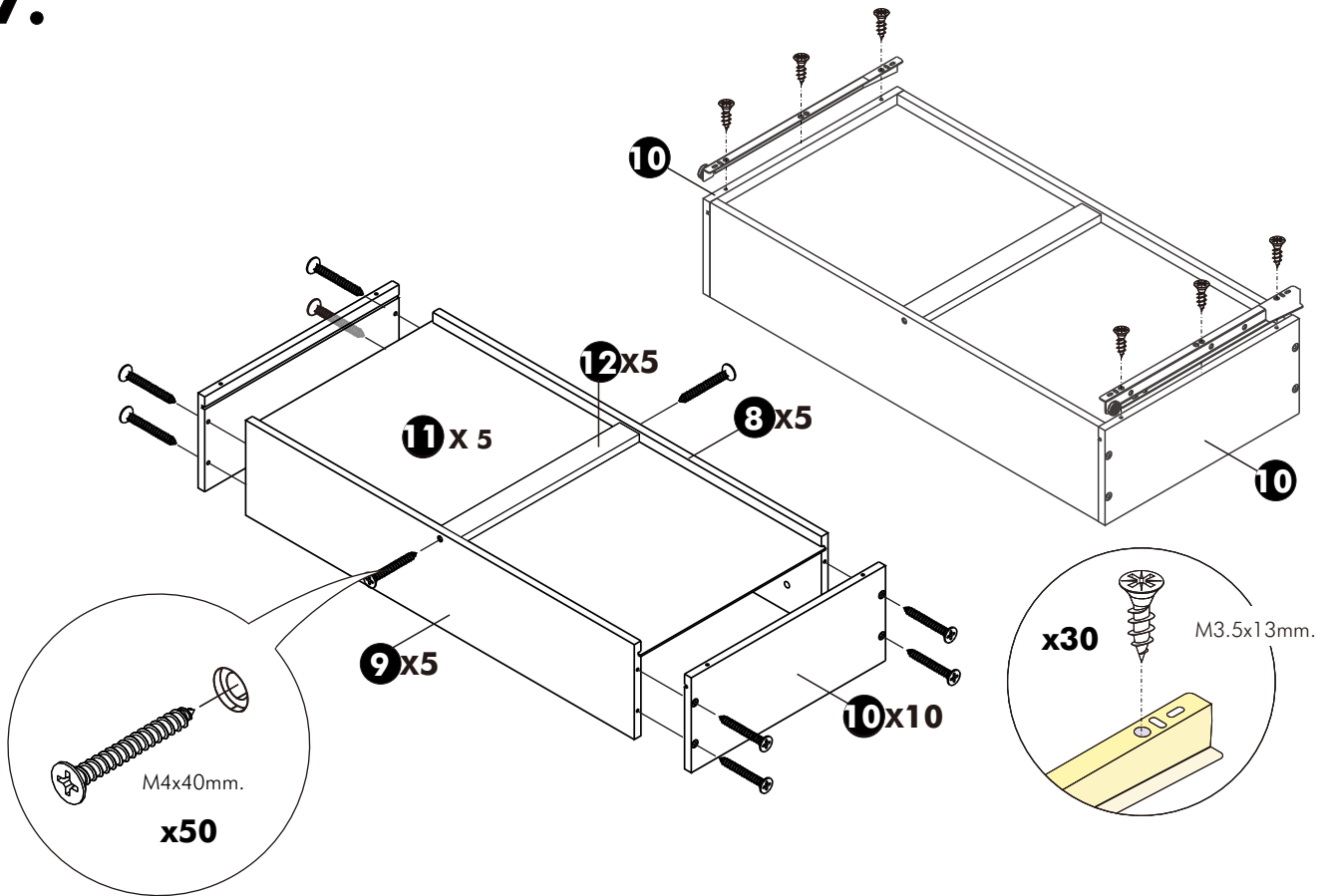
5.



6.

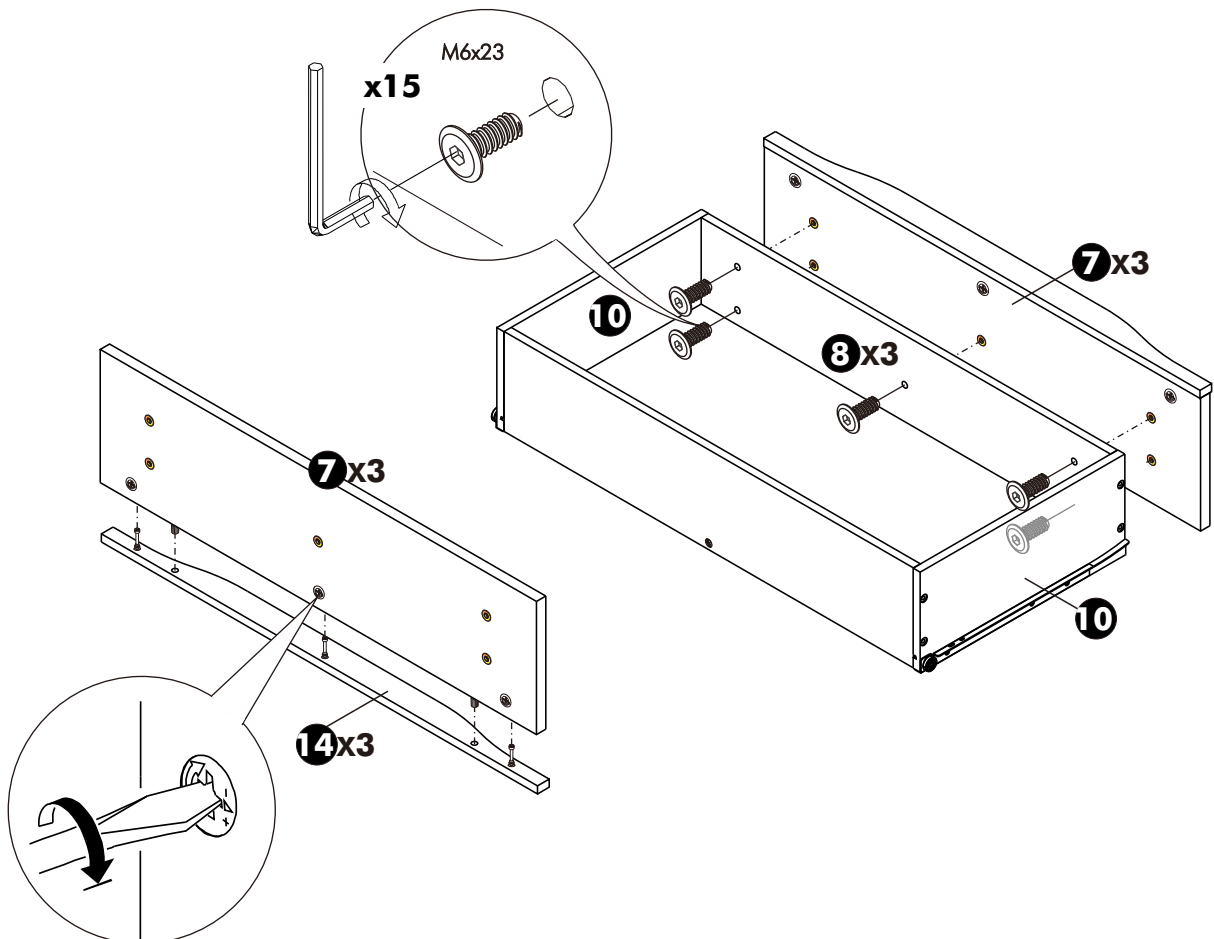


7.

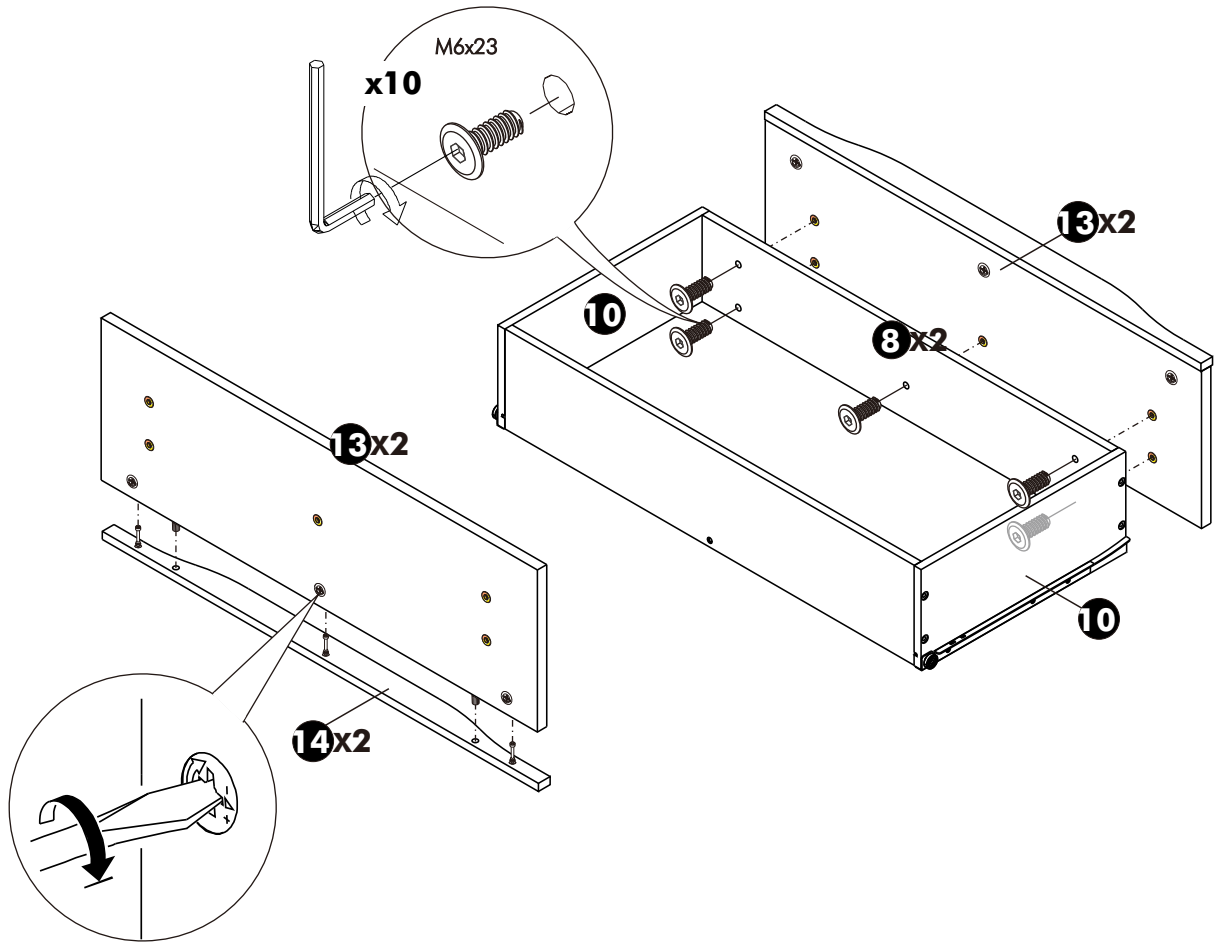


5 SET

8.



9.



10.

