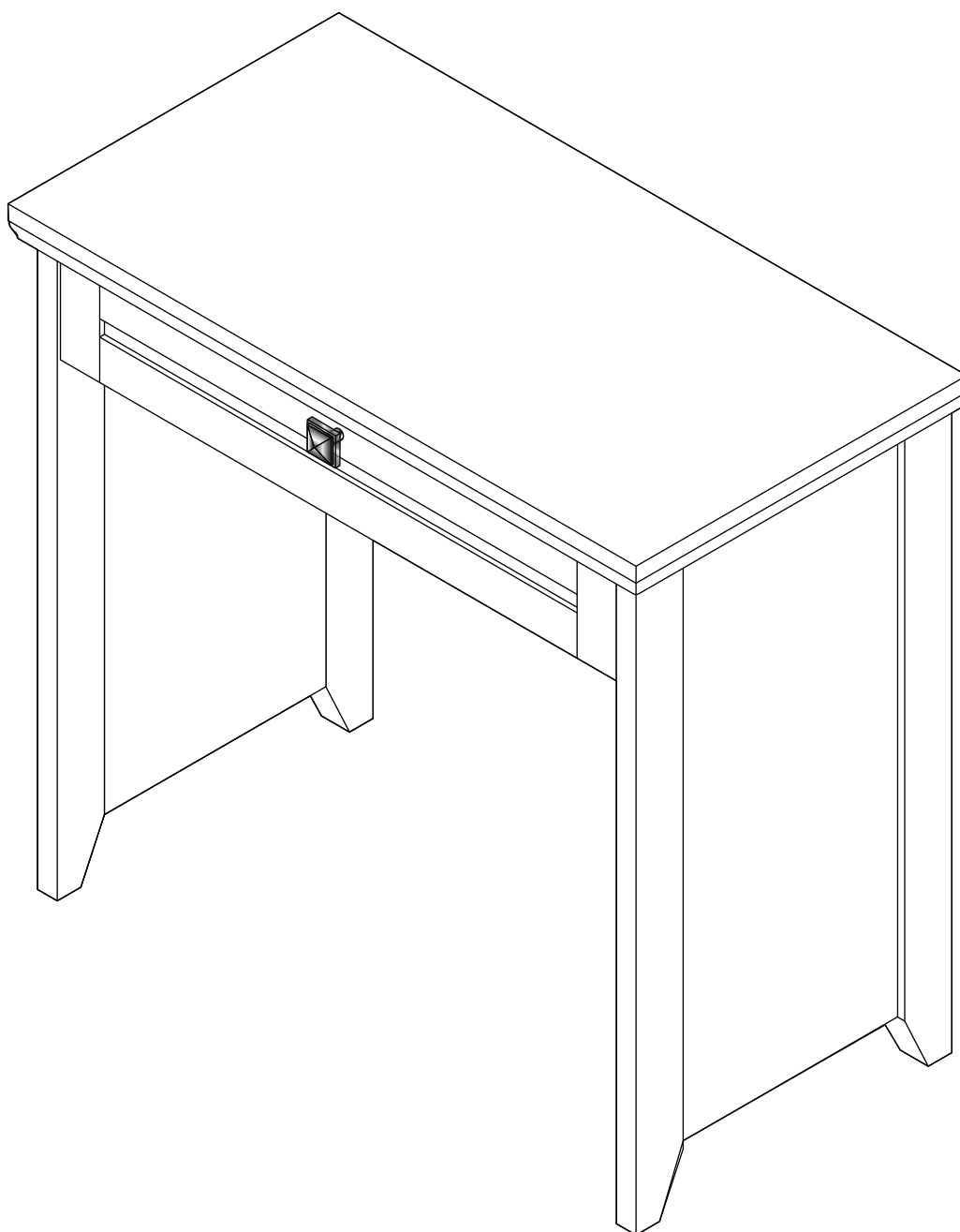
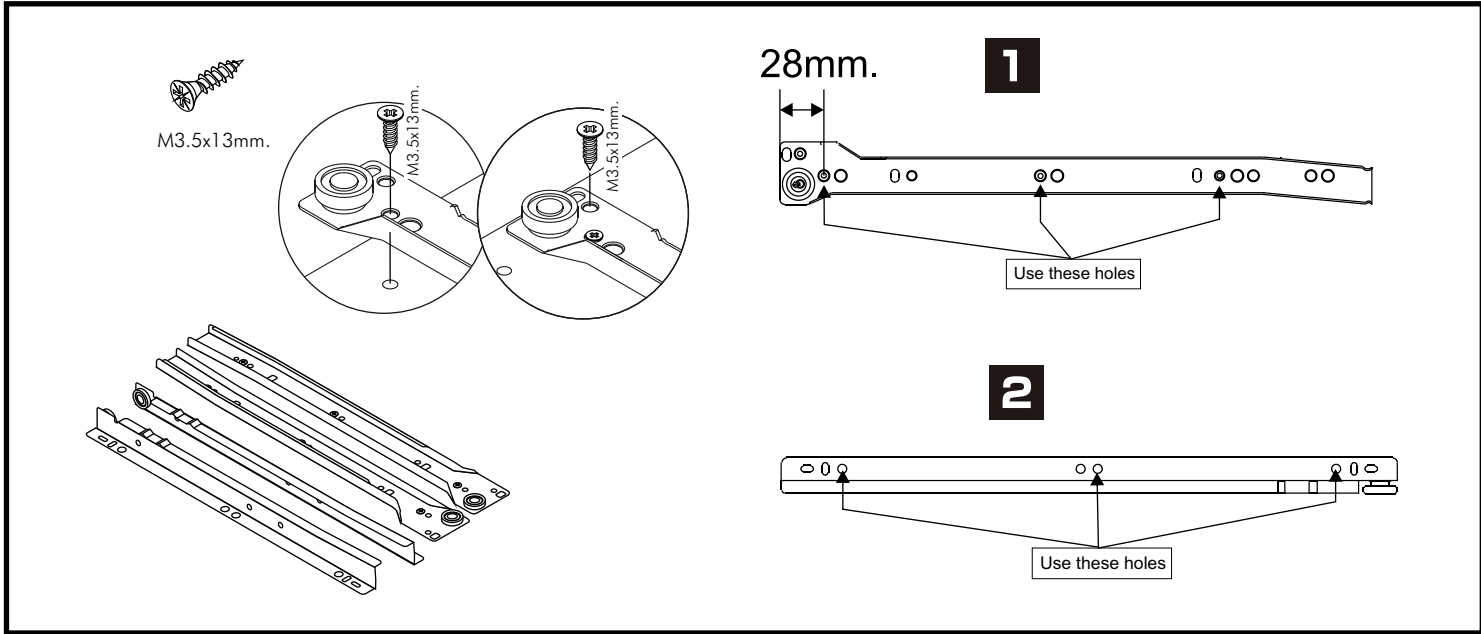


# BOULEVARD-P

**Dressing Table 800 mm.**

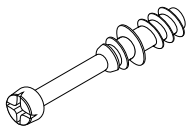


# CONNECT SYSTEM



# HARDWARE

## -BODY SET

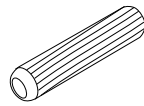


**x 11**



19mm.

**x 11**



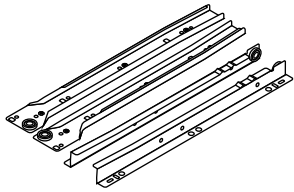
(8x35 mm.)

**x 12**



**x 5**

## -DRAWER SET

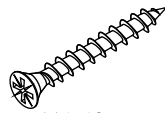


**x 1**



M3.5x13mm.

**x 14**



M4x40mm.

**x 12**



M6x23mm.

**x 2**



**x 1**



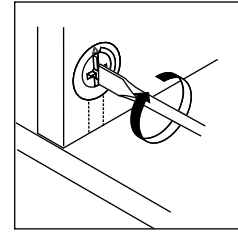
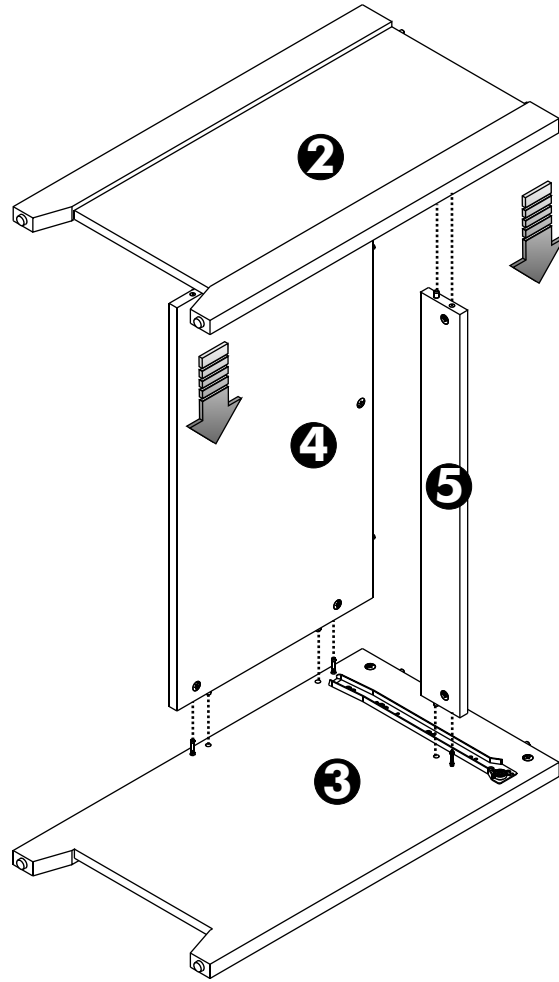
**x 1**



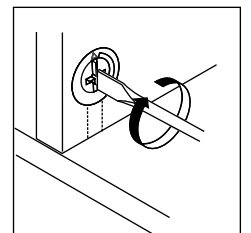
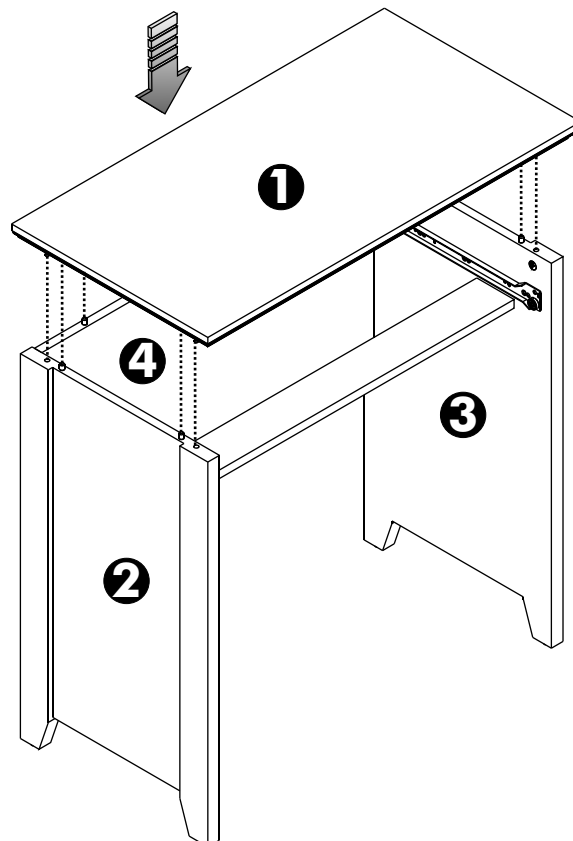
(T+M4x40)

**x 1**

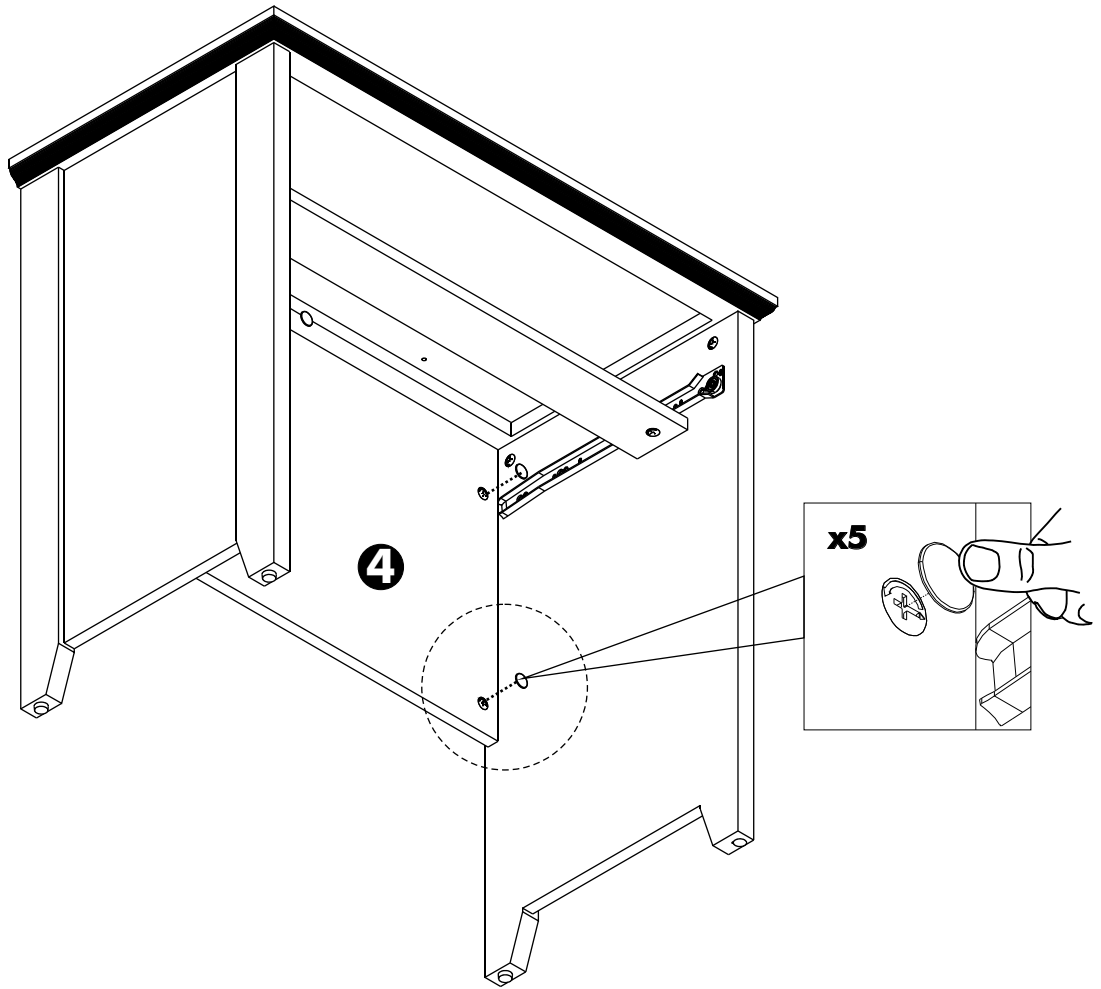
**1.**



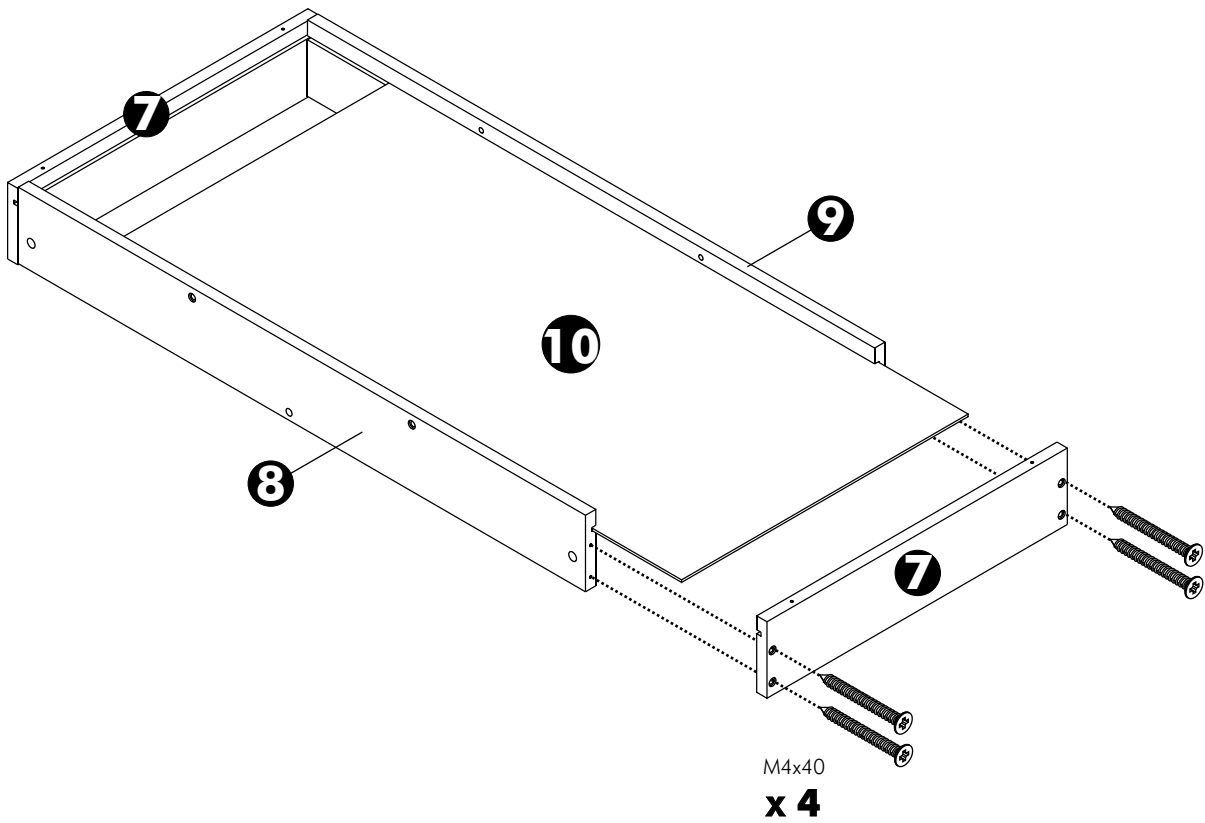
**2.**



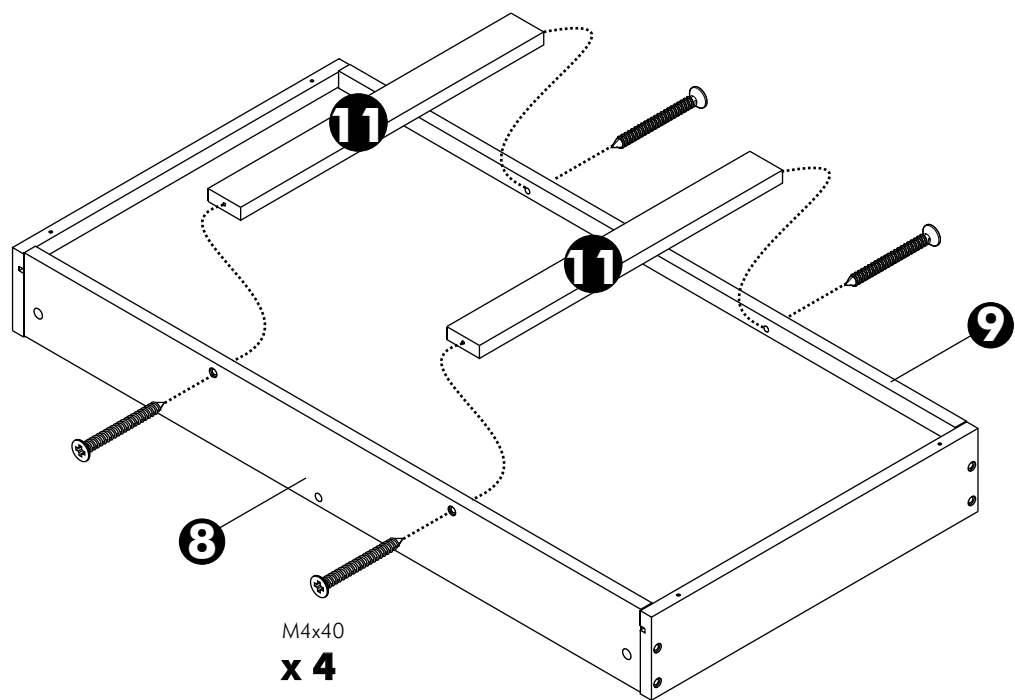
**3.**



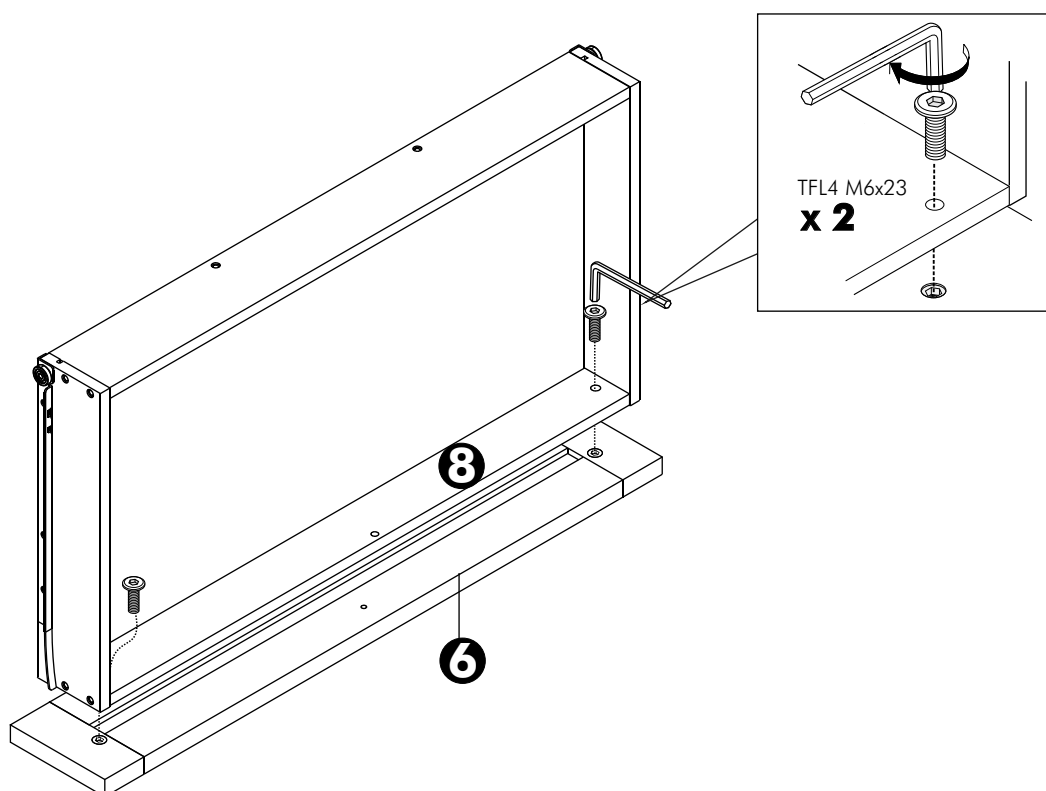
**4.**



**5.**



**6.**



**7.**

