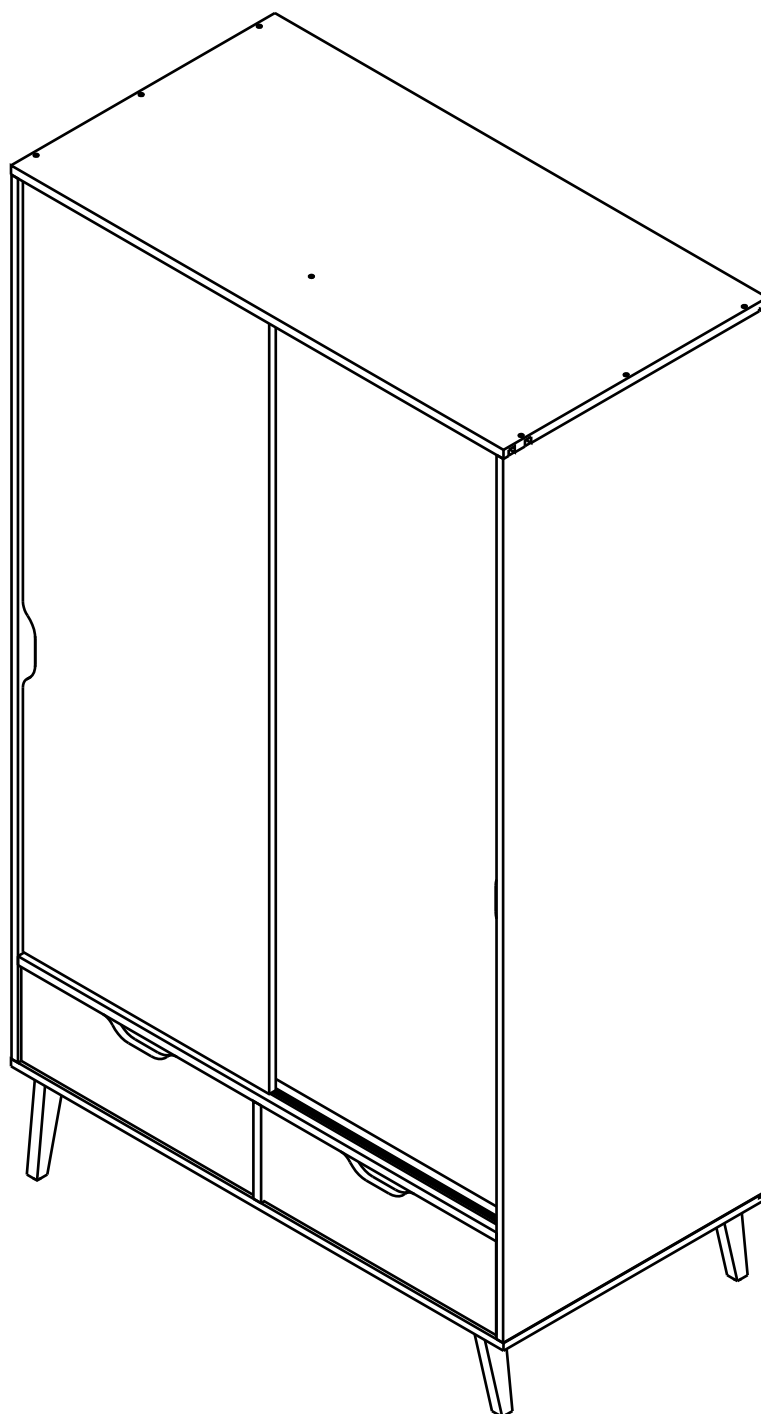
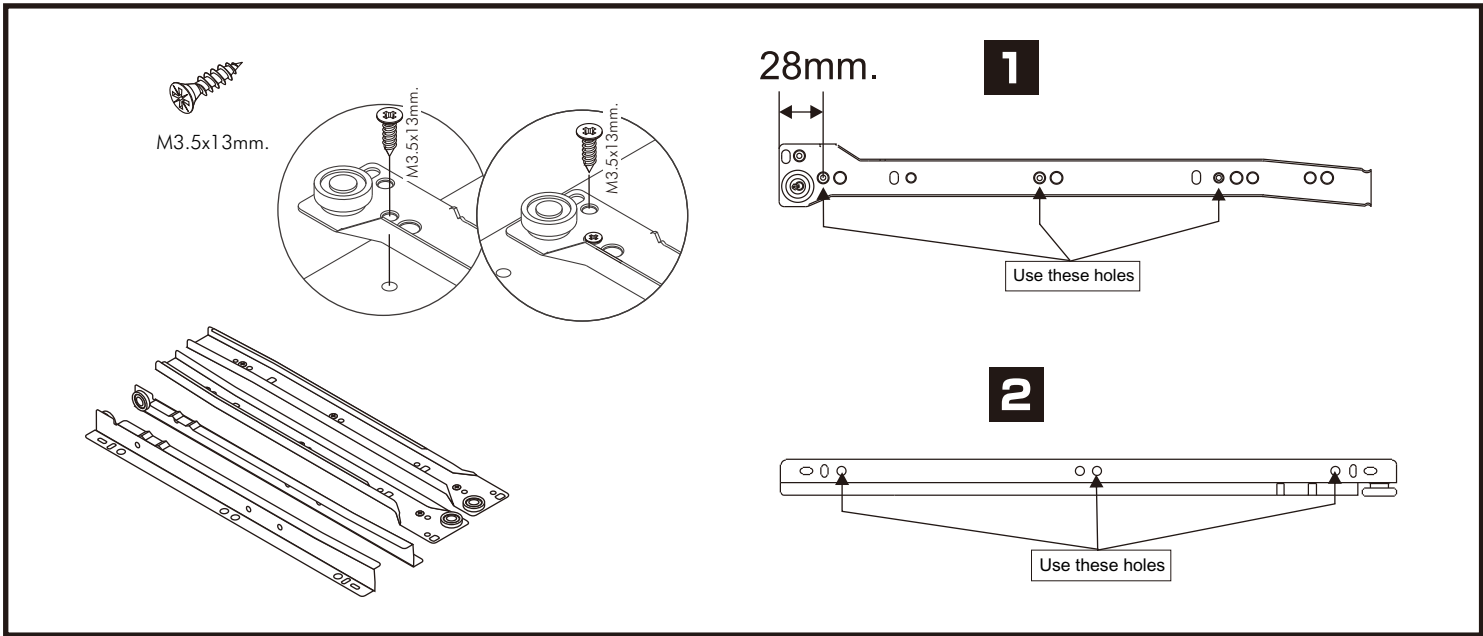
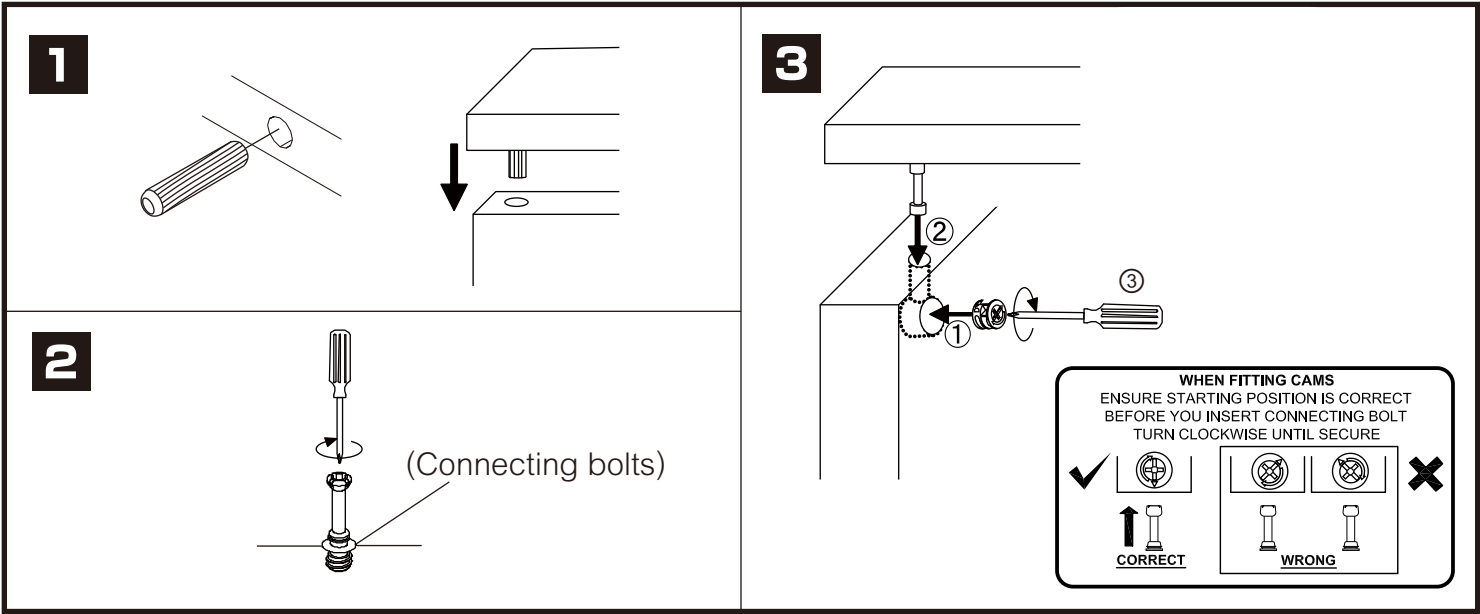


KARLMAR-P

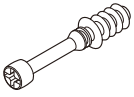
Wardrobe sliding 120 cm



CONNECT SYSTEM



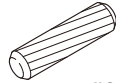
HARDWARE



X 19

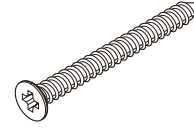


X 19



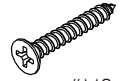
#8x35

X 31



#M4x50(F)

X 19



#M3.5x20(F)

X 8



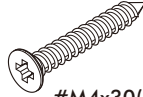
#M4x16(F)

X 12



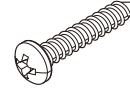
#M4x16(P)

X 53



#M4x30(F)

X 26

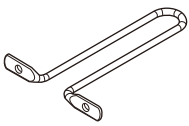


#M4x30(P)

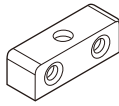
X 20



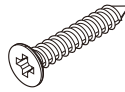
X 2



X 1

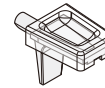


X 2

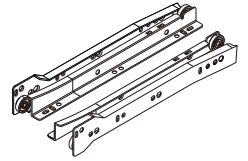


#M4x25(F)

X 6



X 8



X 2SET



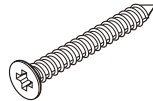
#M4x13(P)

X 12



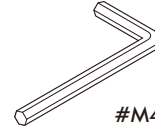
#M3.5x13(F)

X 32



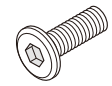
#M4x40(F)

X 21



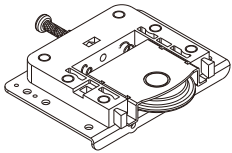
#M4

X 1



#TFL4 M6x23

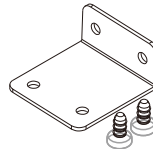
X 10



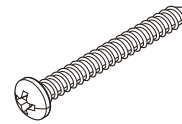
X 4



X 4

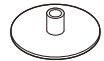


X 2/4



#M4x50(P)

X 6



X 2



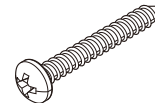
X 4



X 2

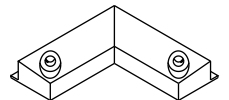


X 2

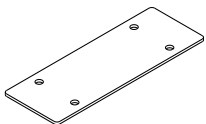


#M4x40(P)

X 4

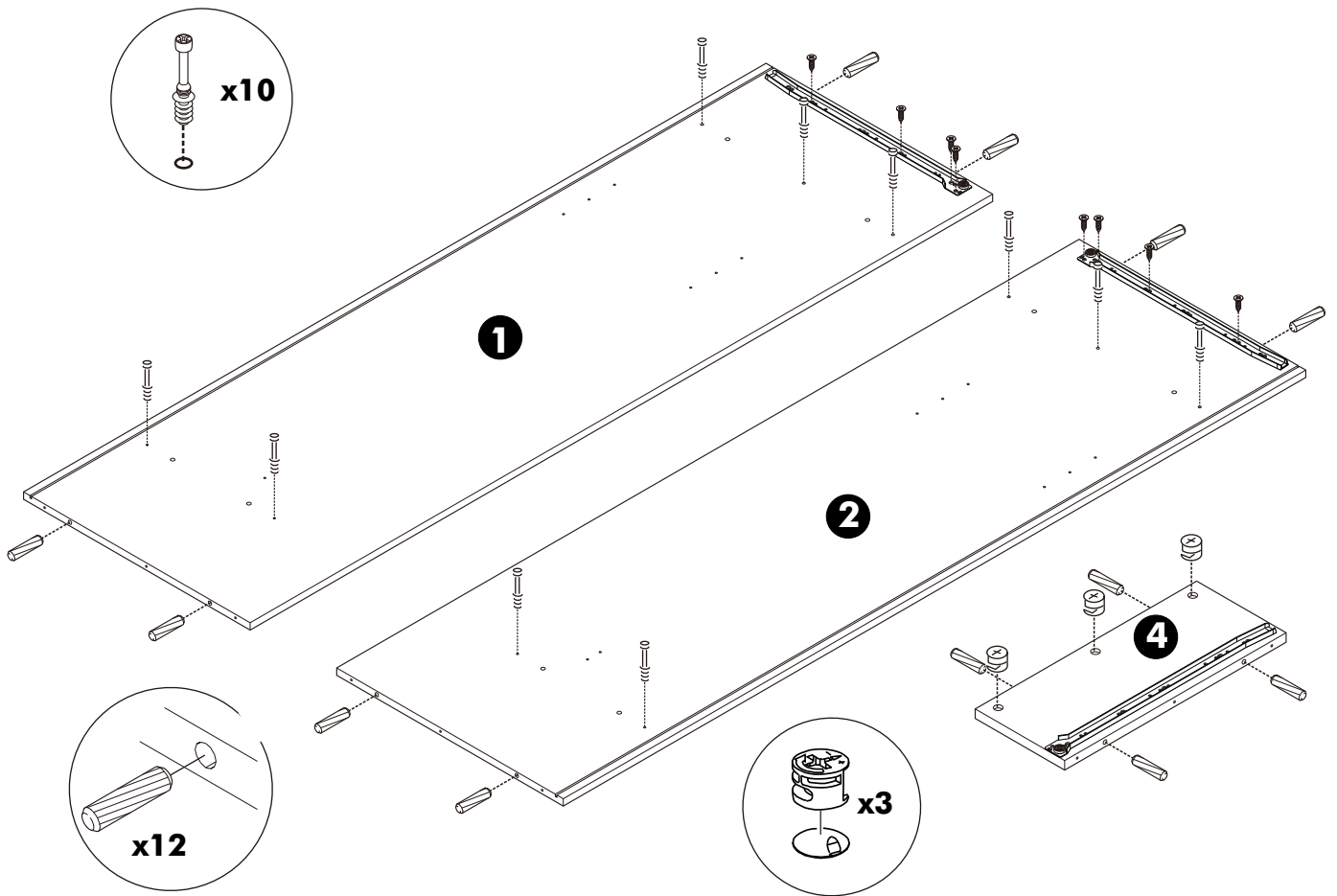


X 4

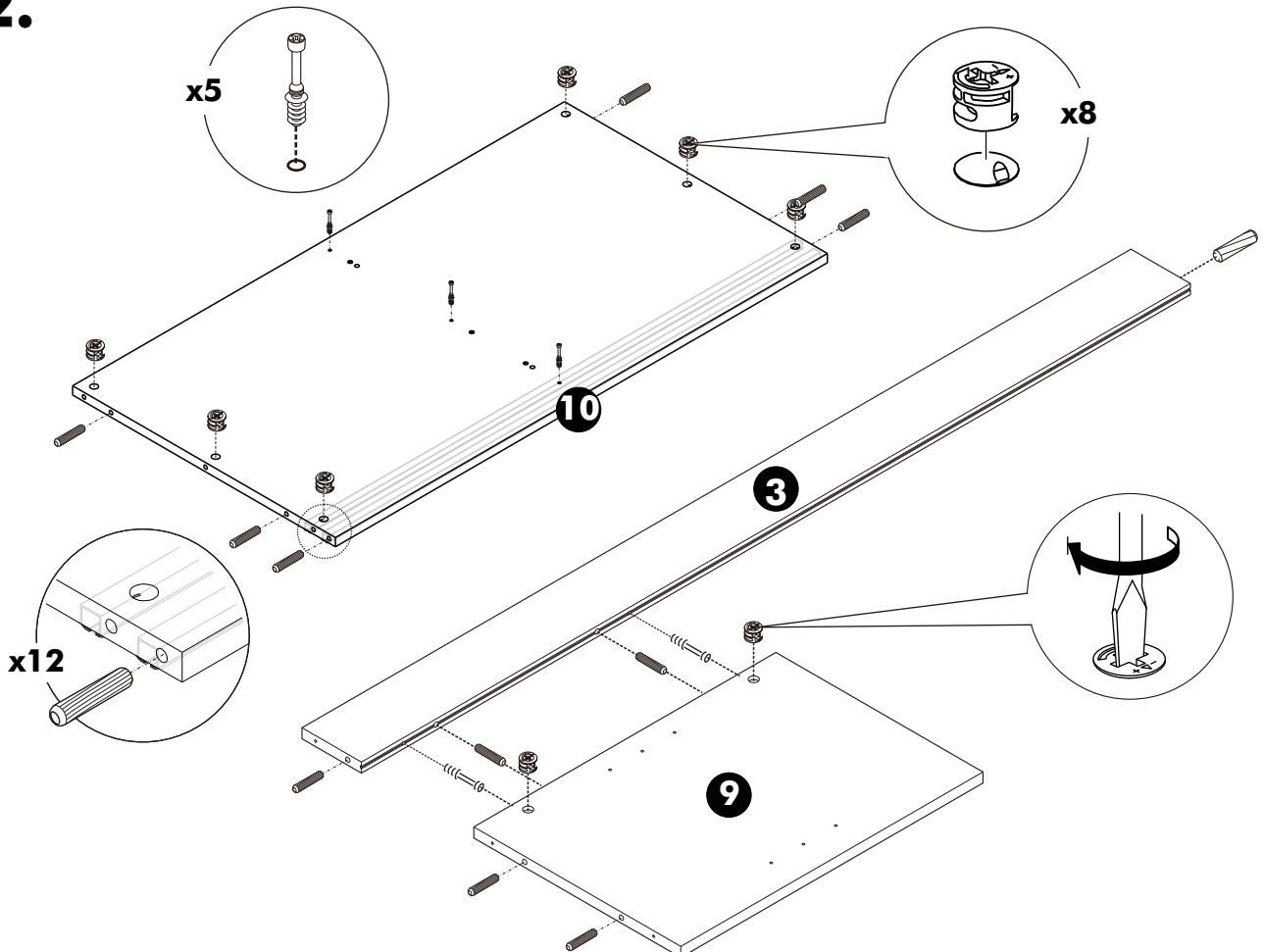


X 2

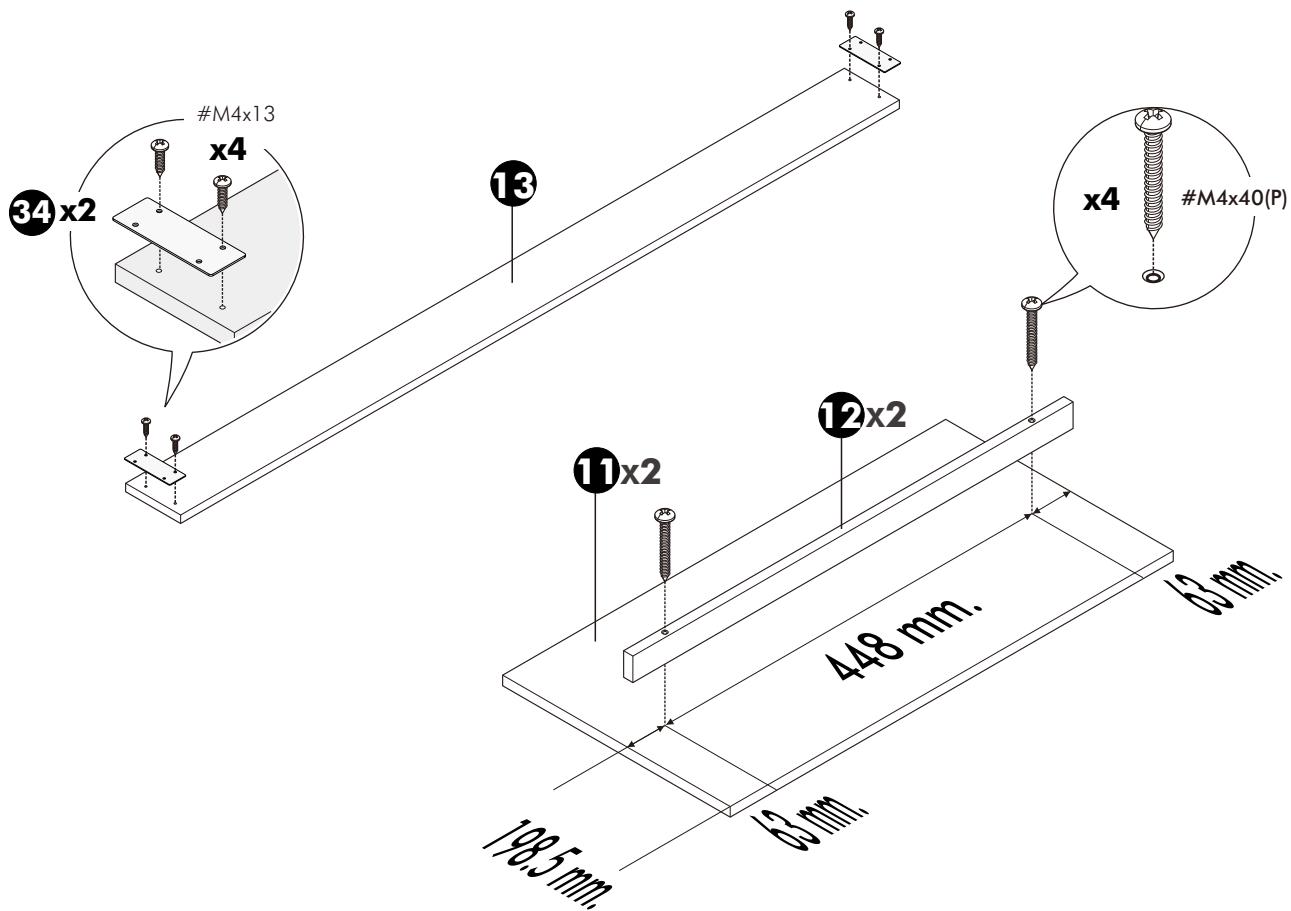
1.



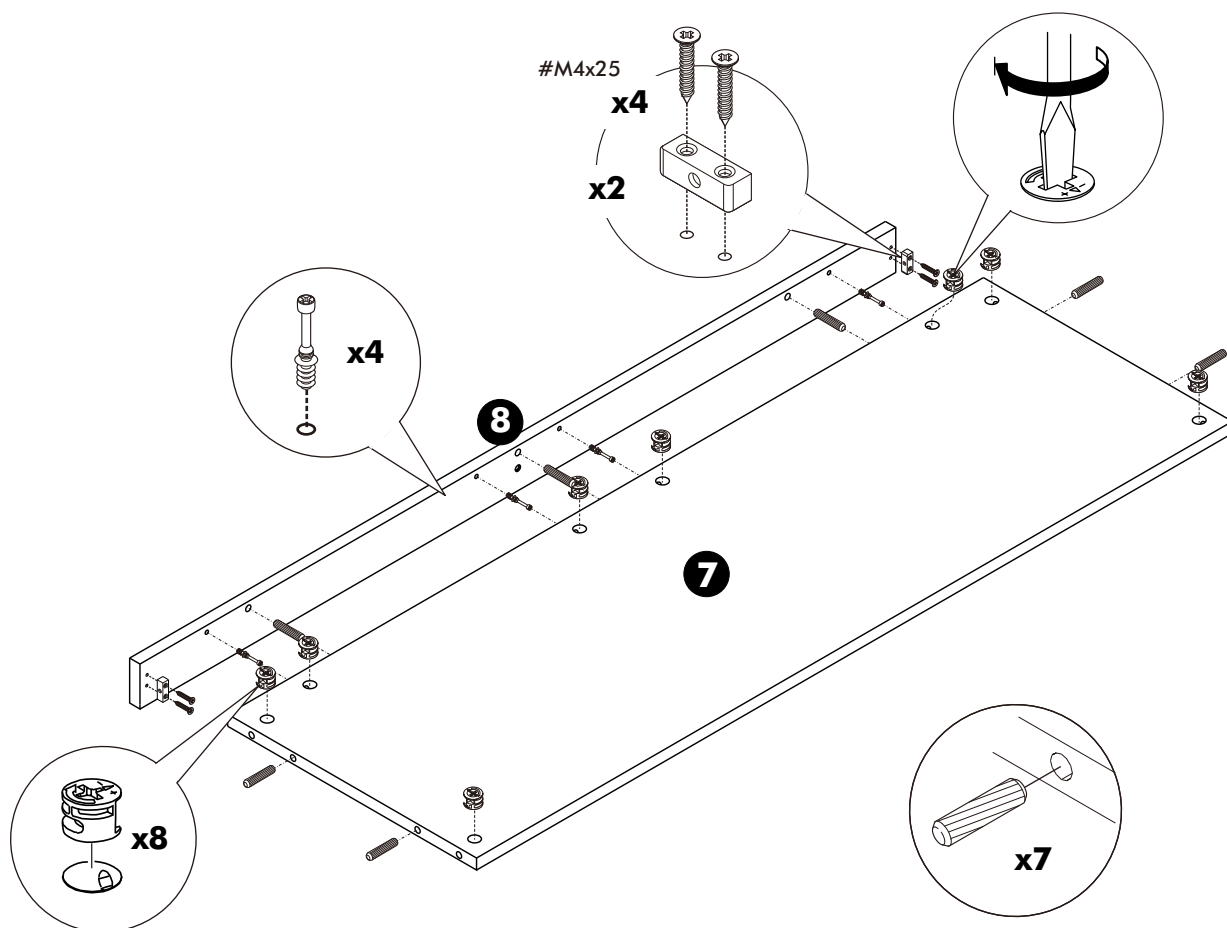
2.



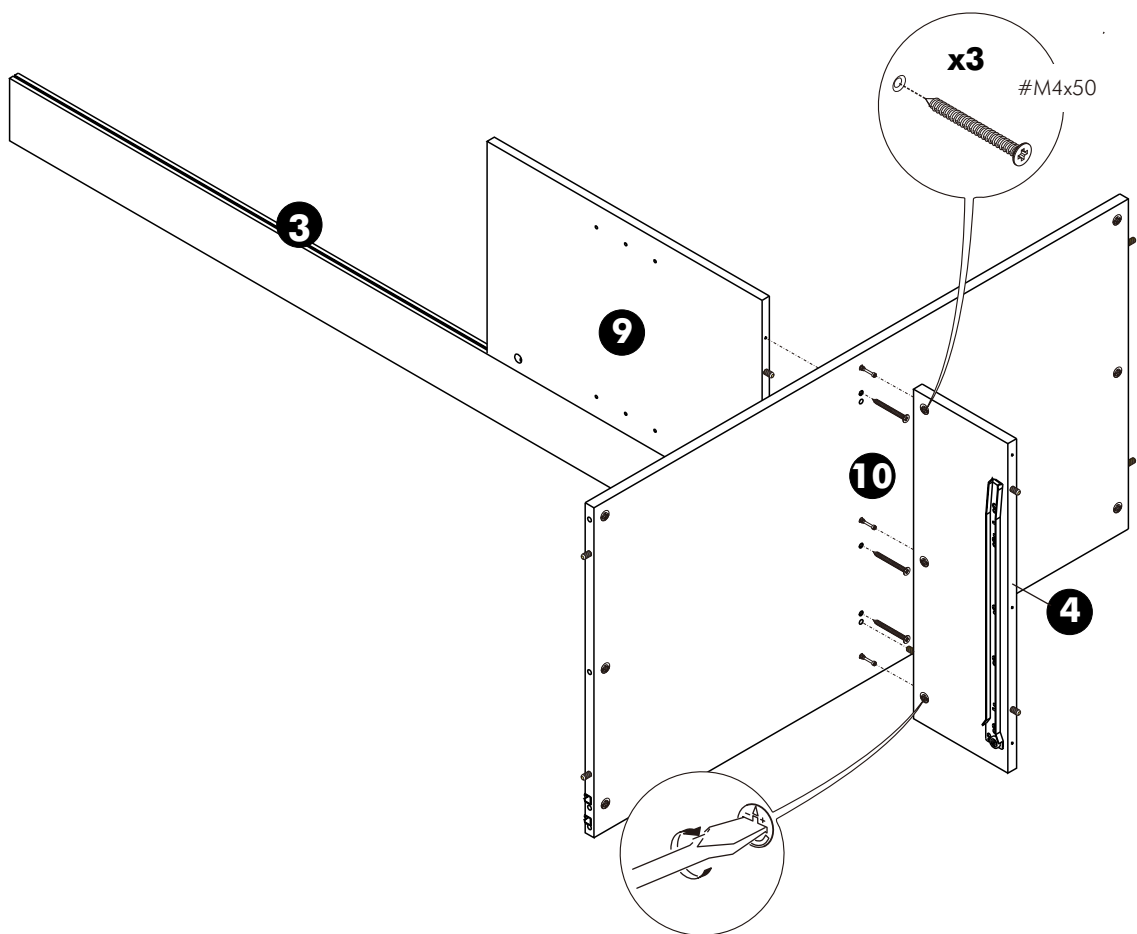
3.



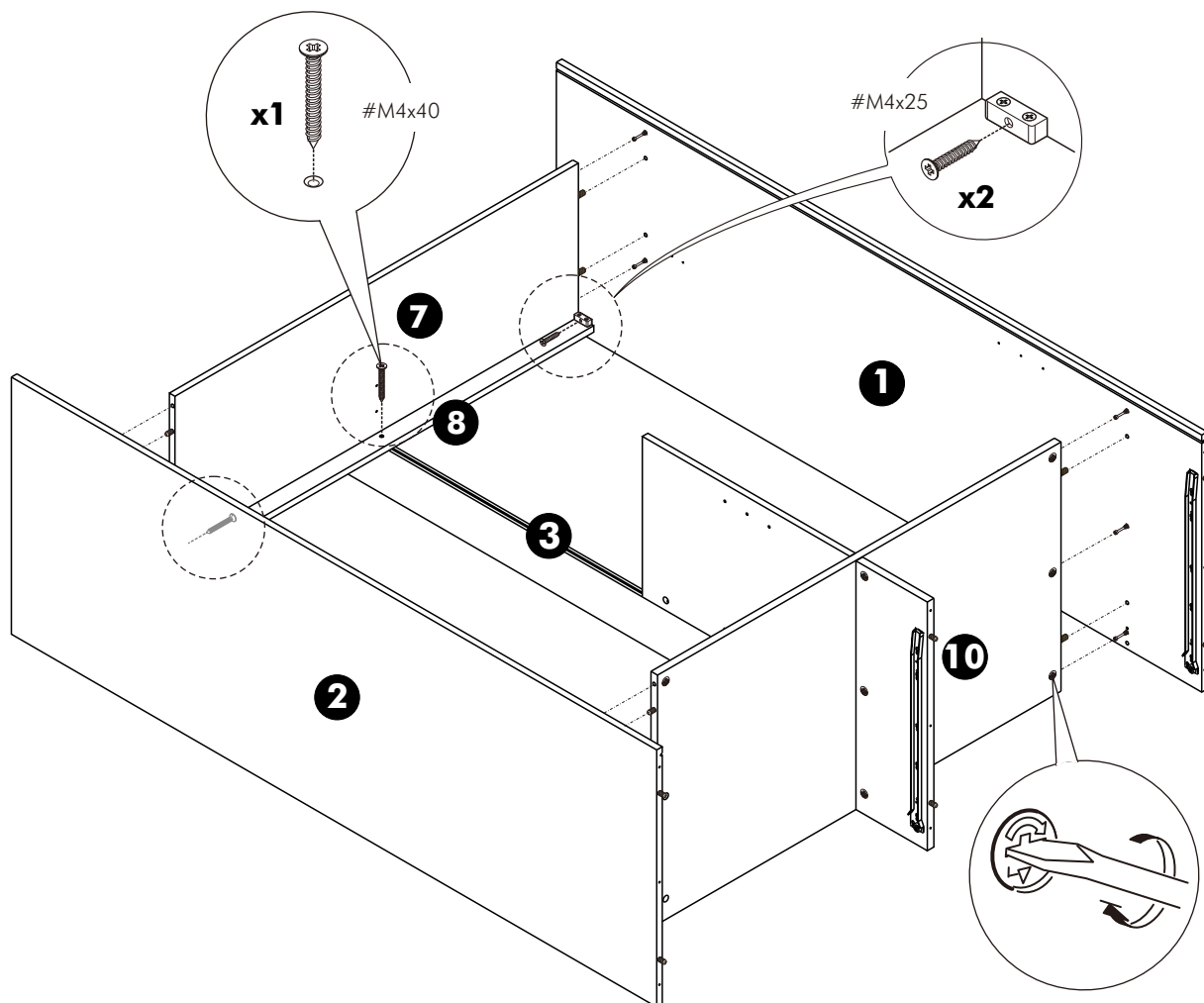
4.

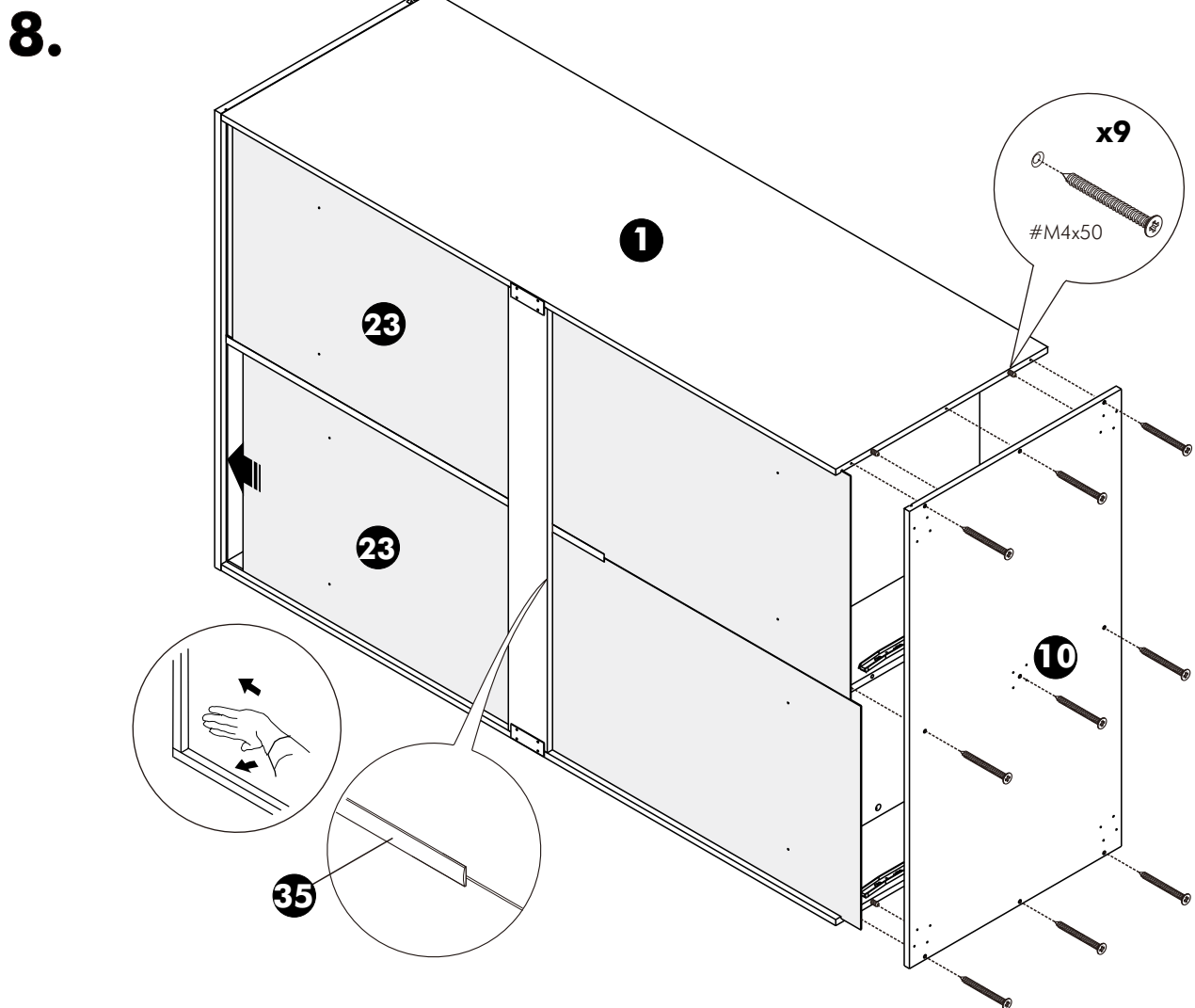
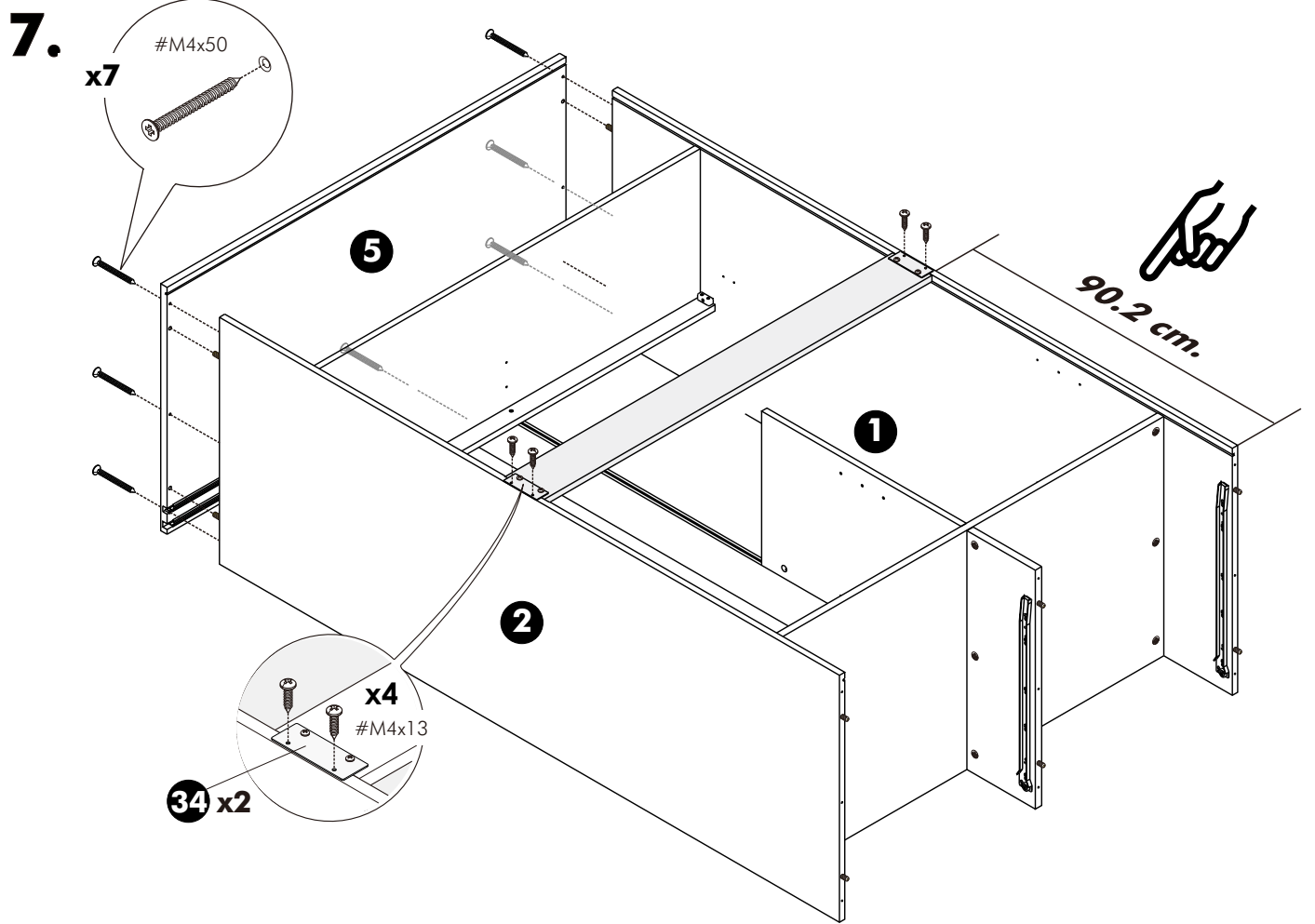


5.

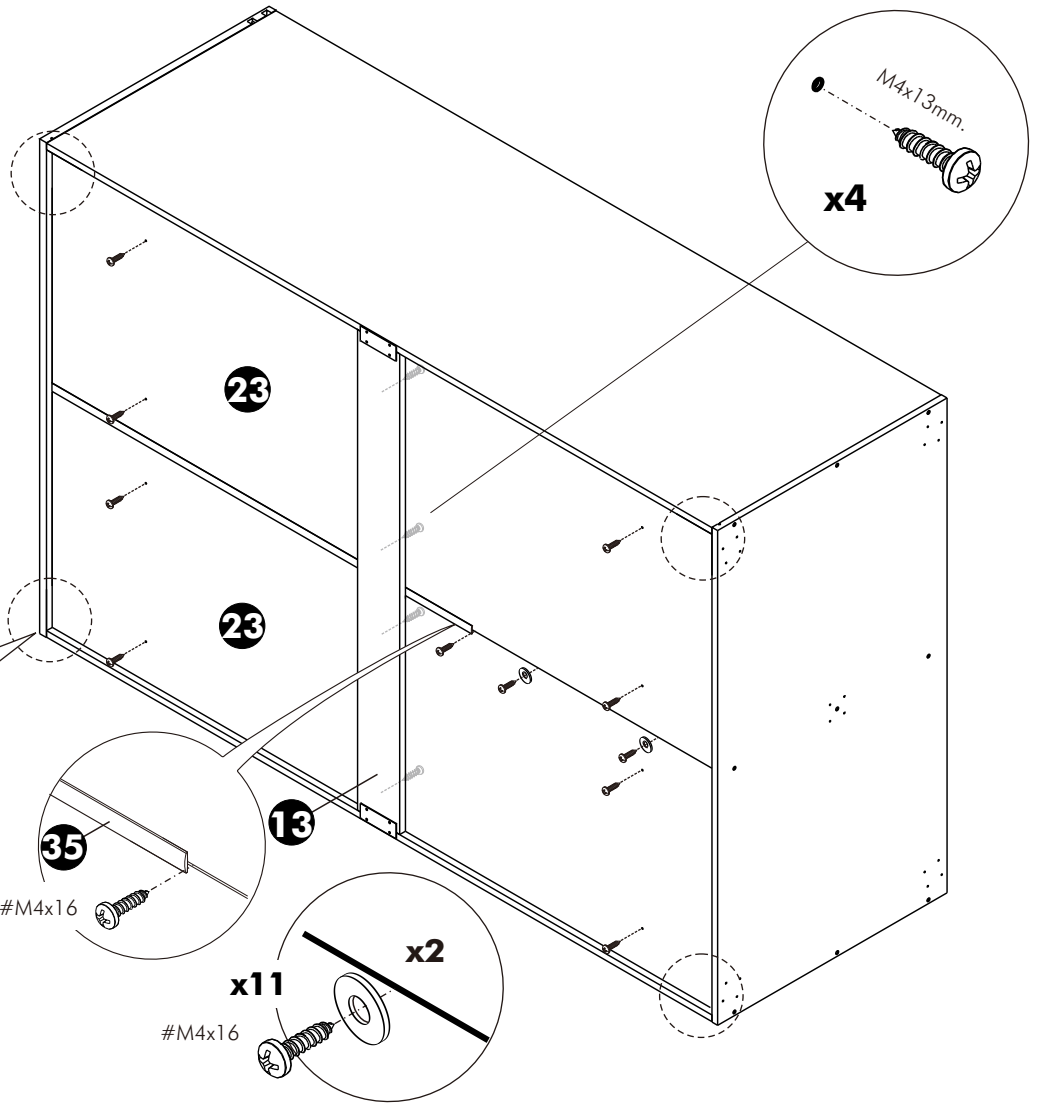
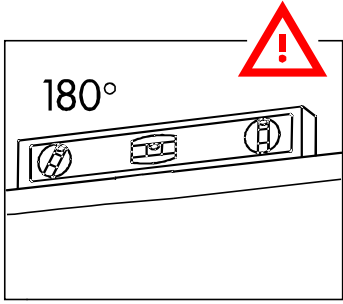


6.

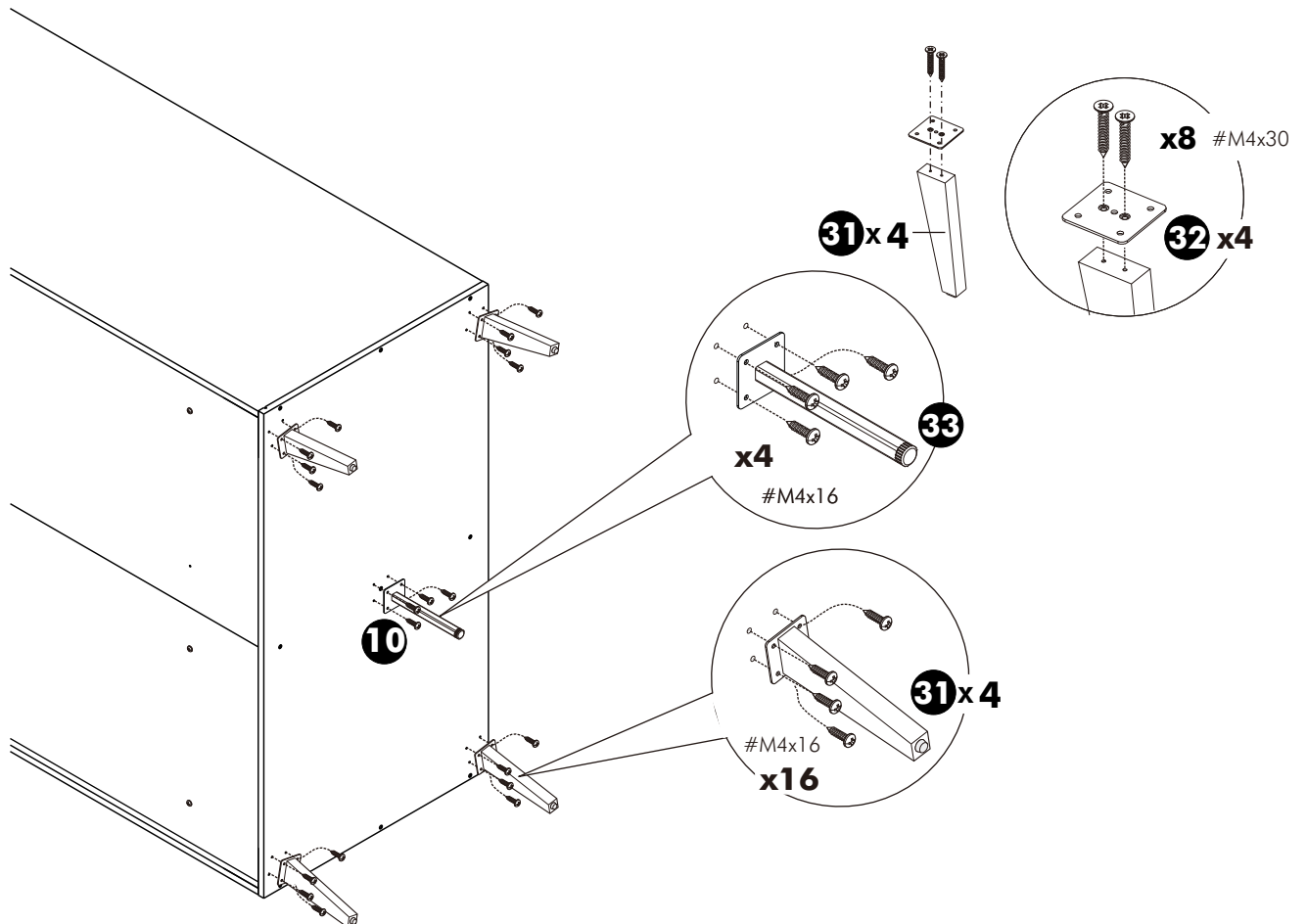




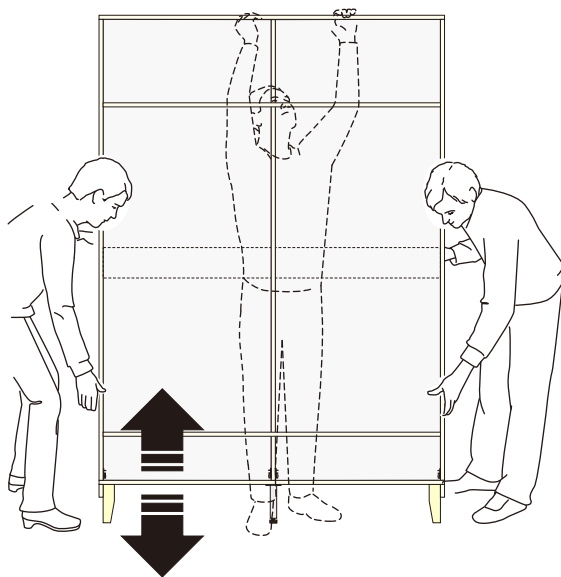
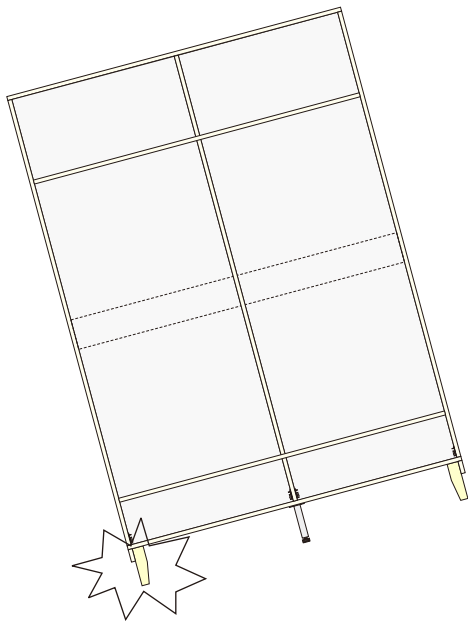
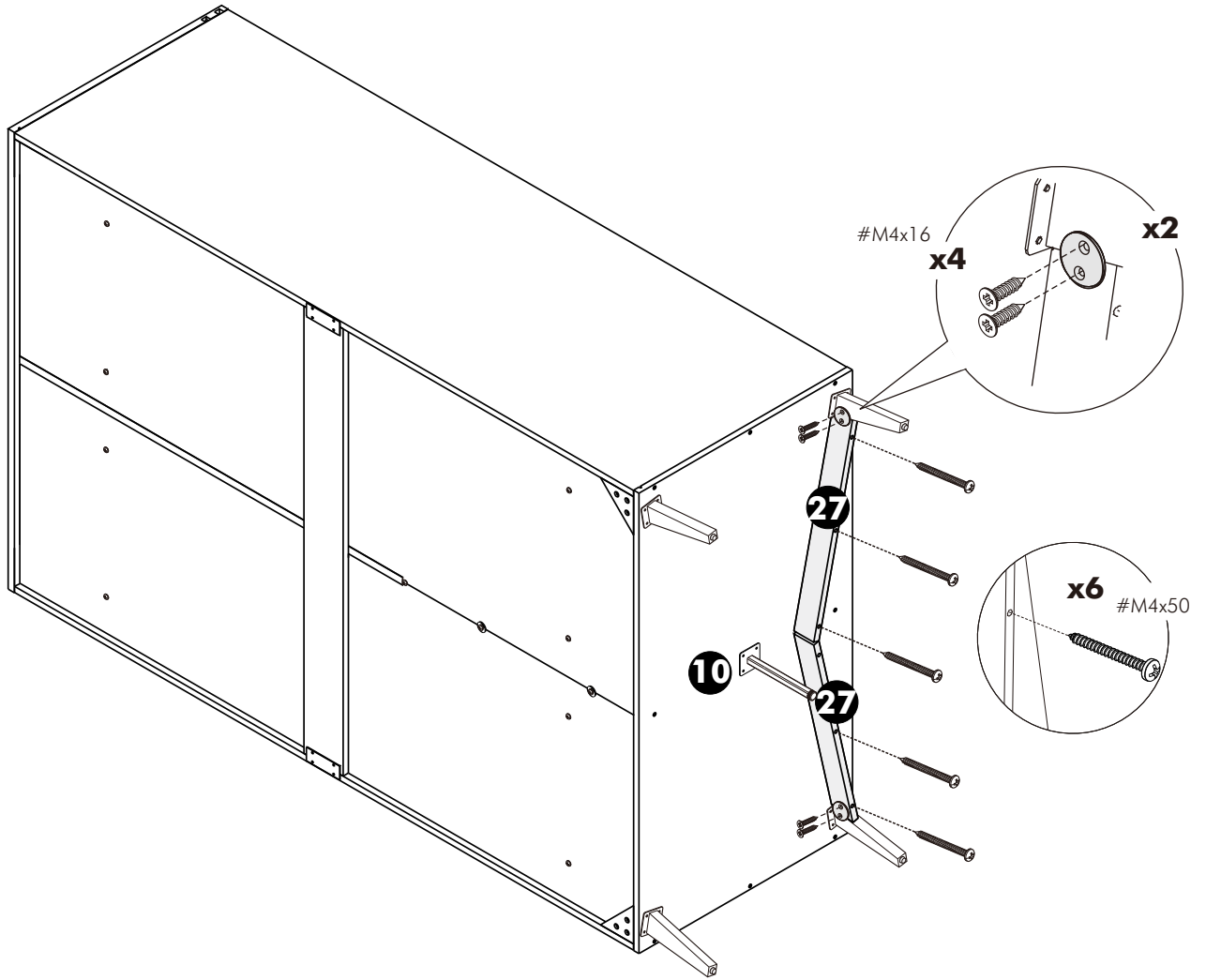
9.



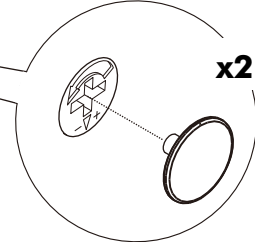
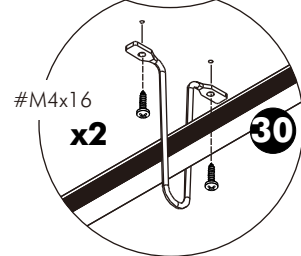
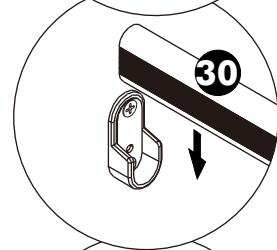
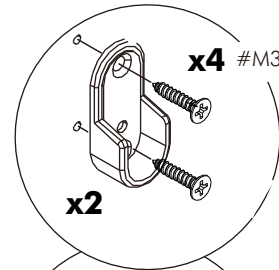
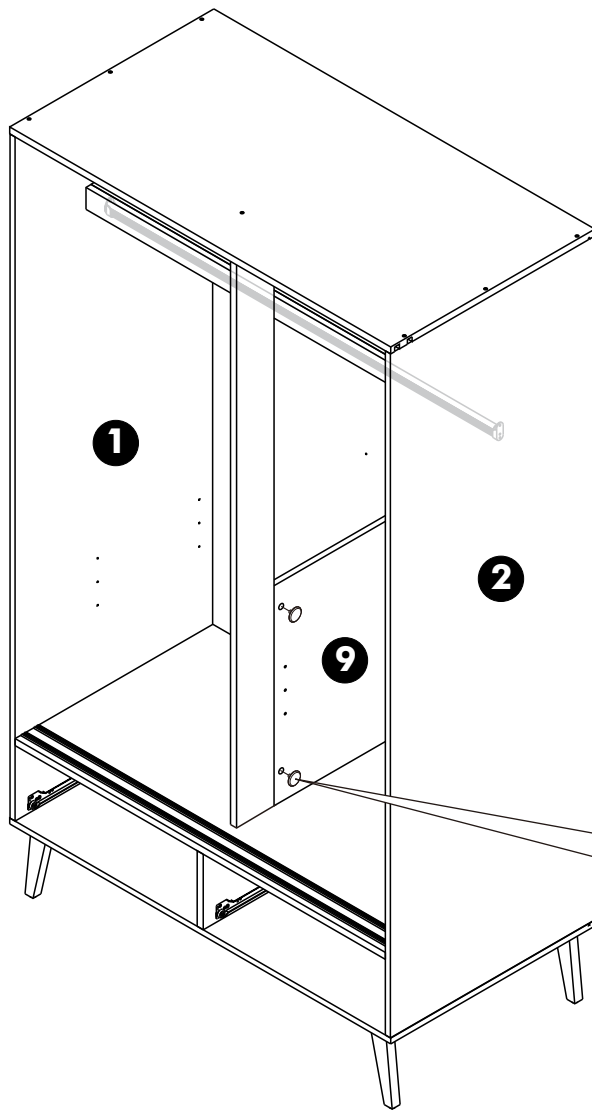
10.



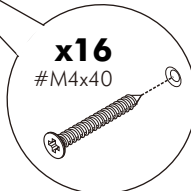
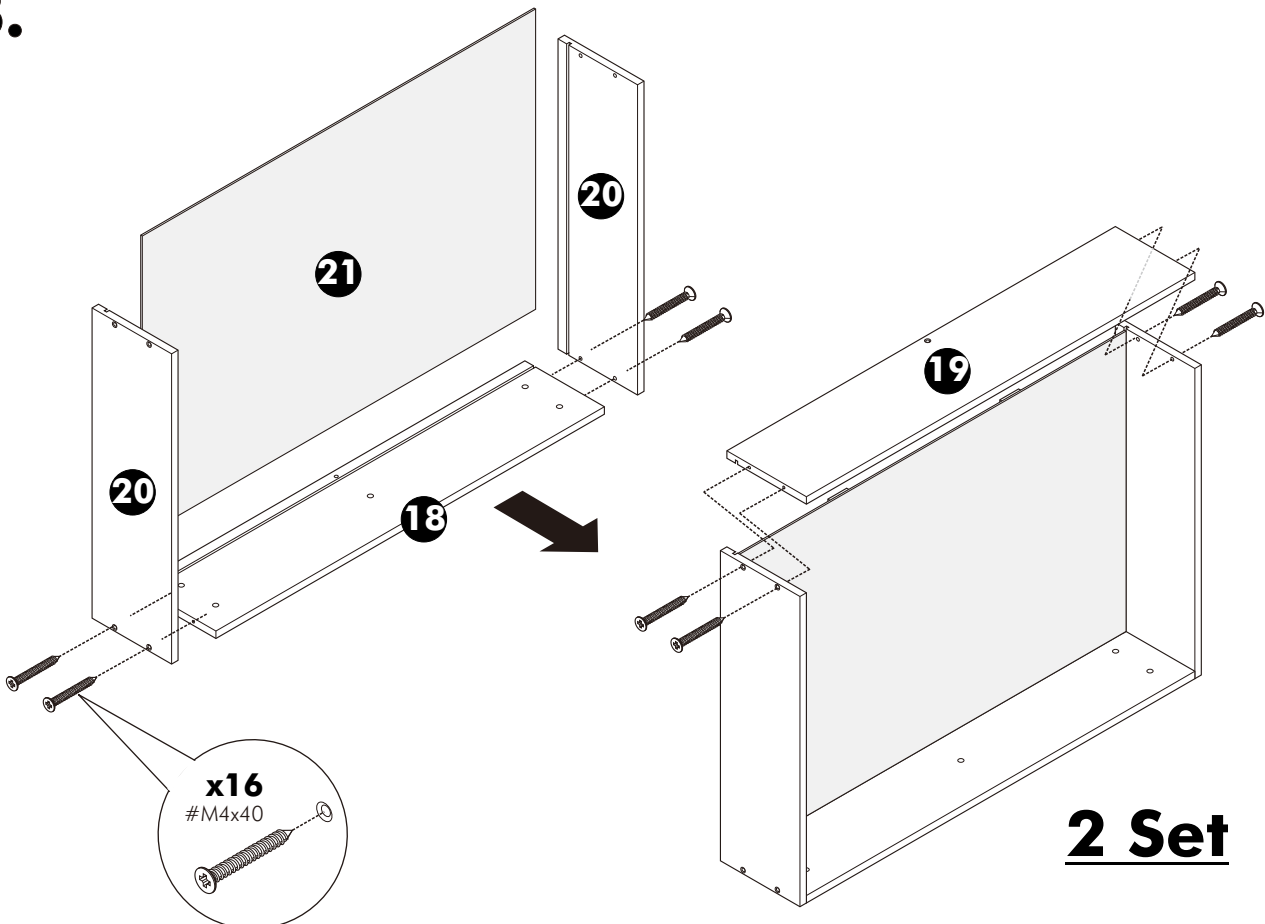
11.



12.

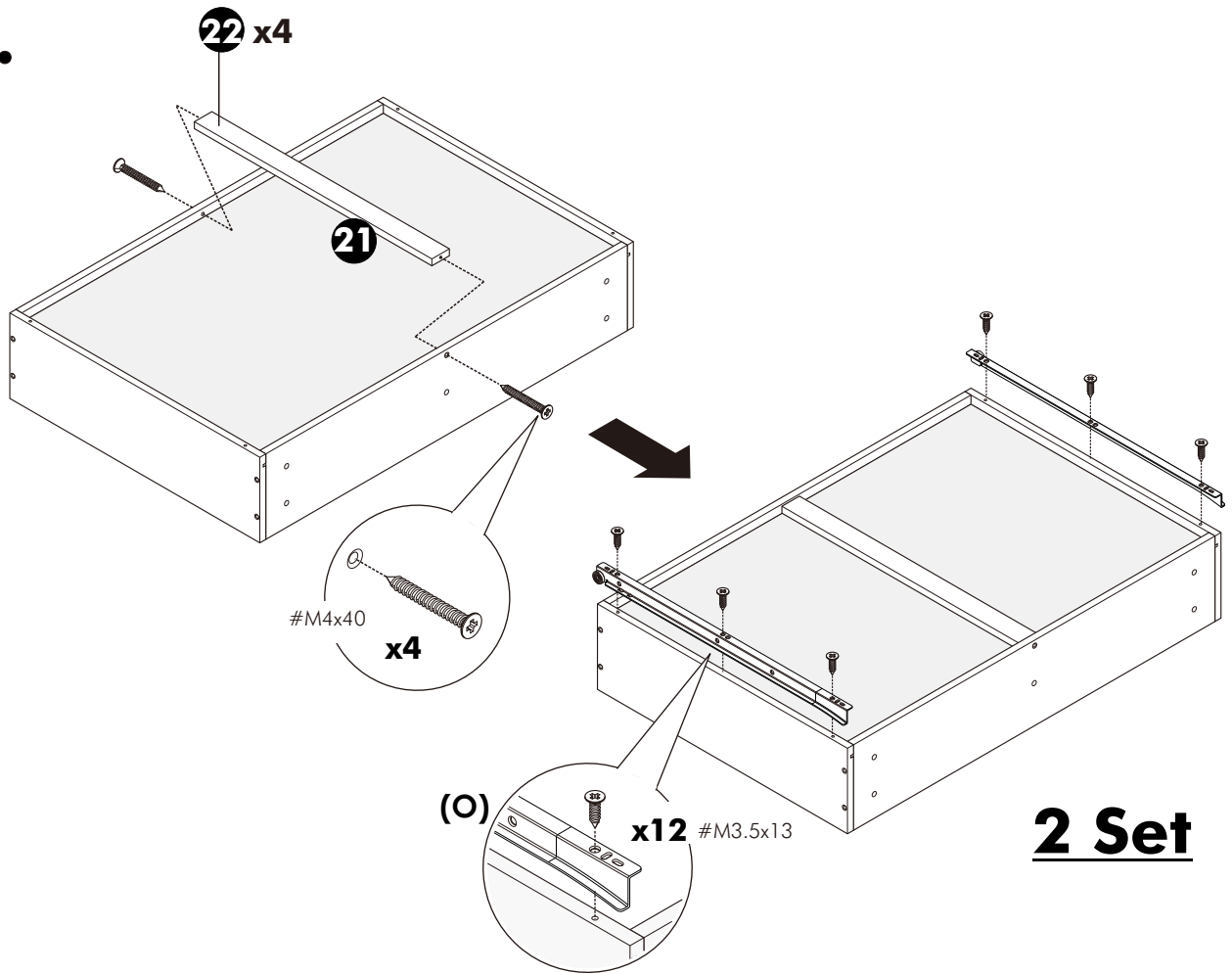


13.

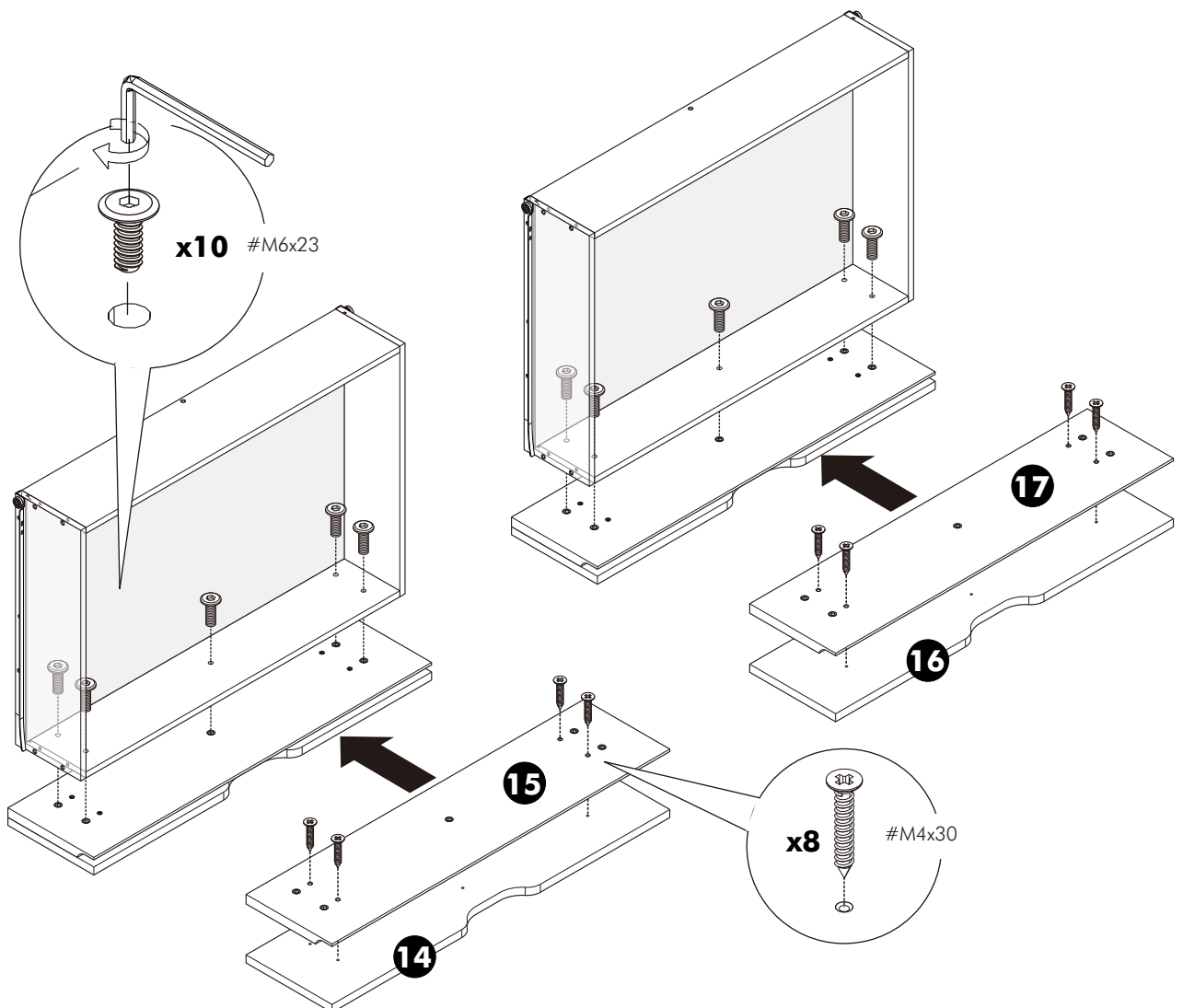


2 Set

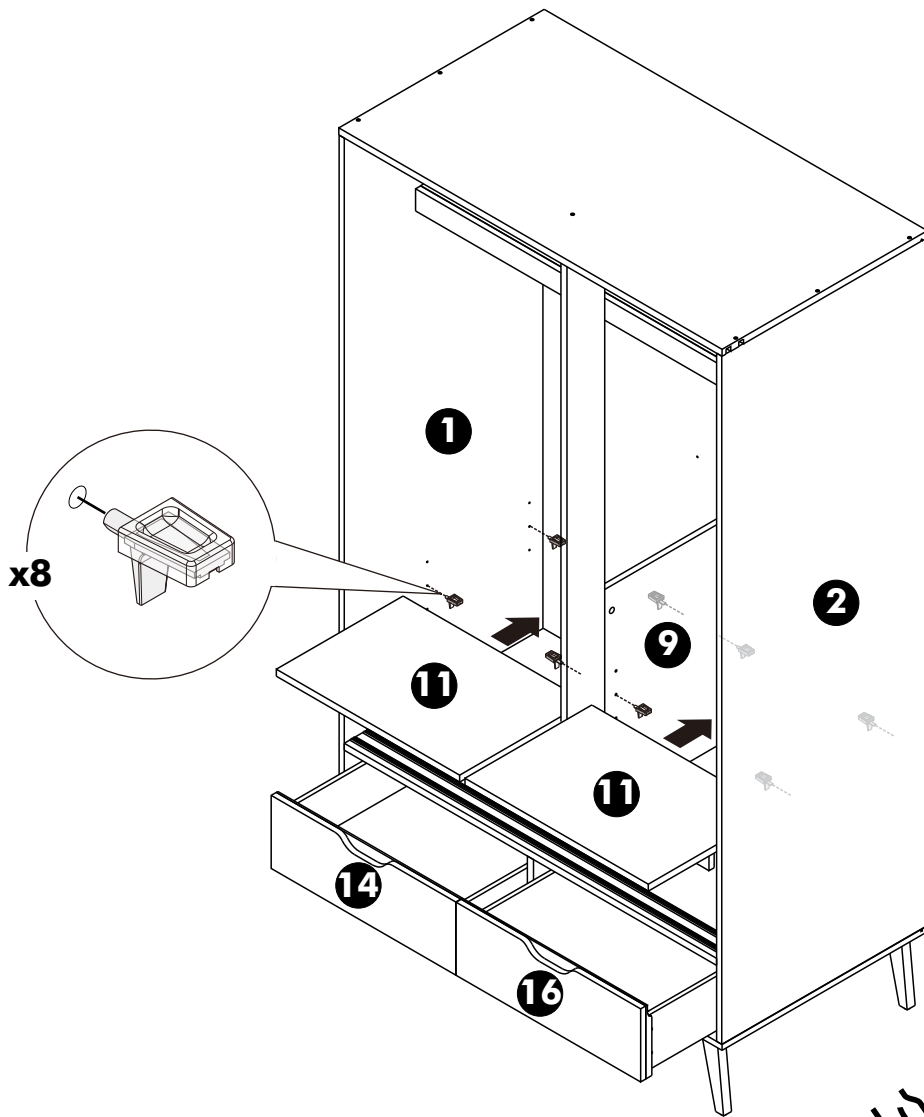
14.



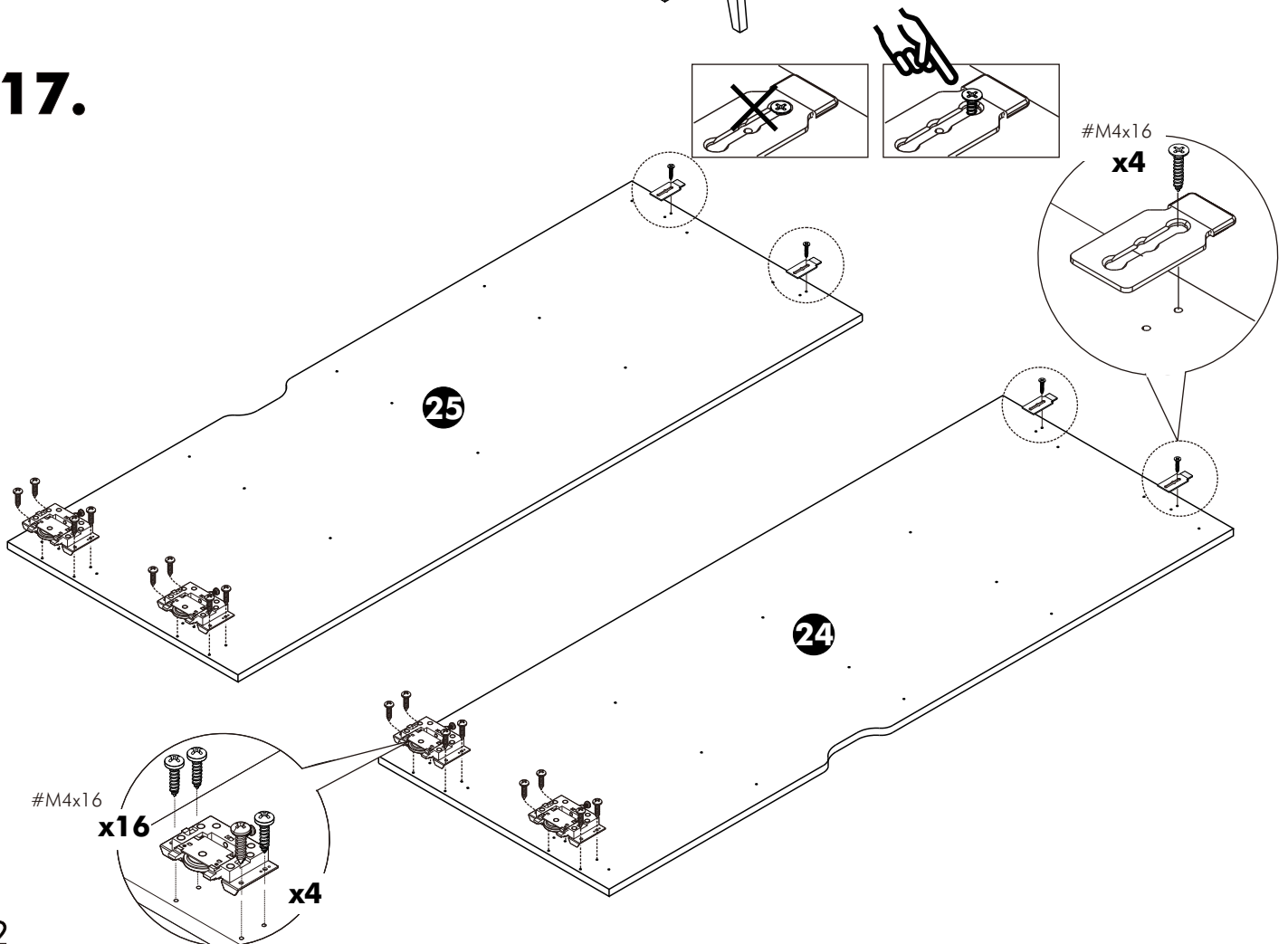
15.



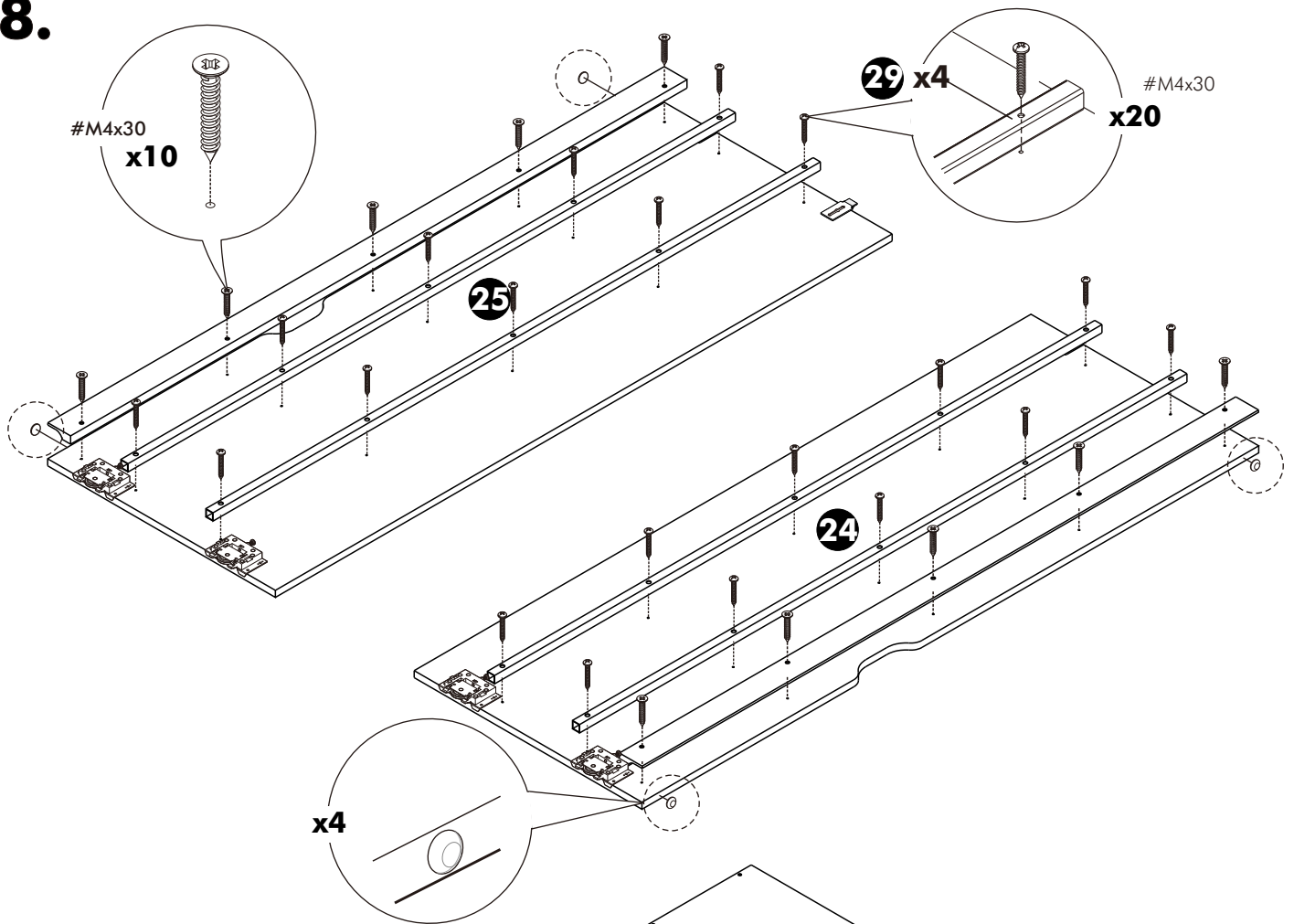
16.



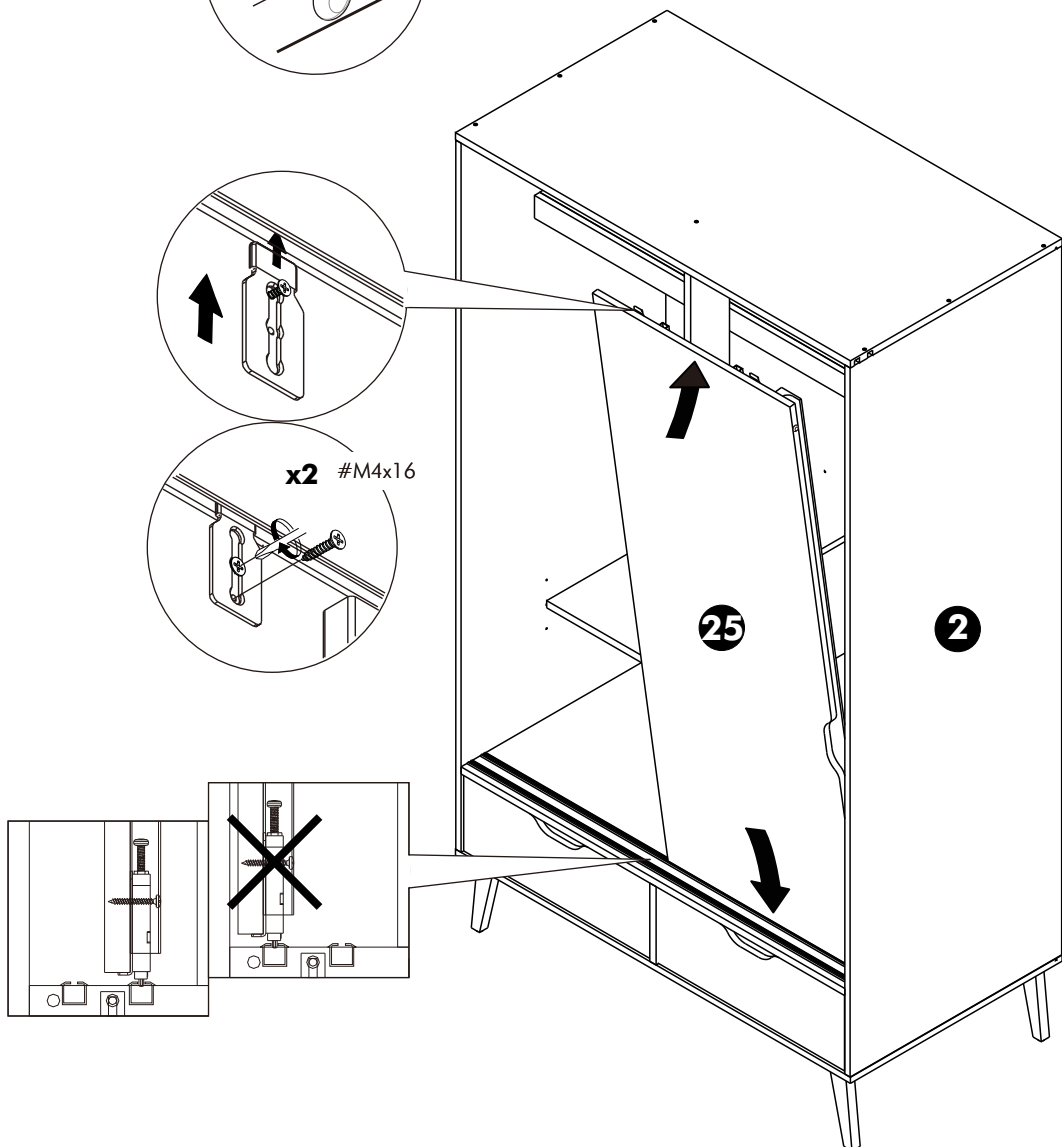
17.



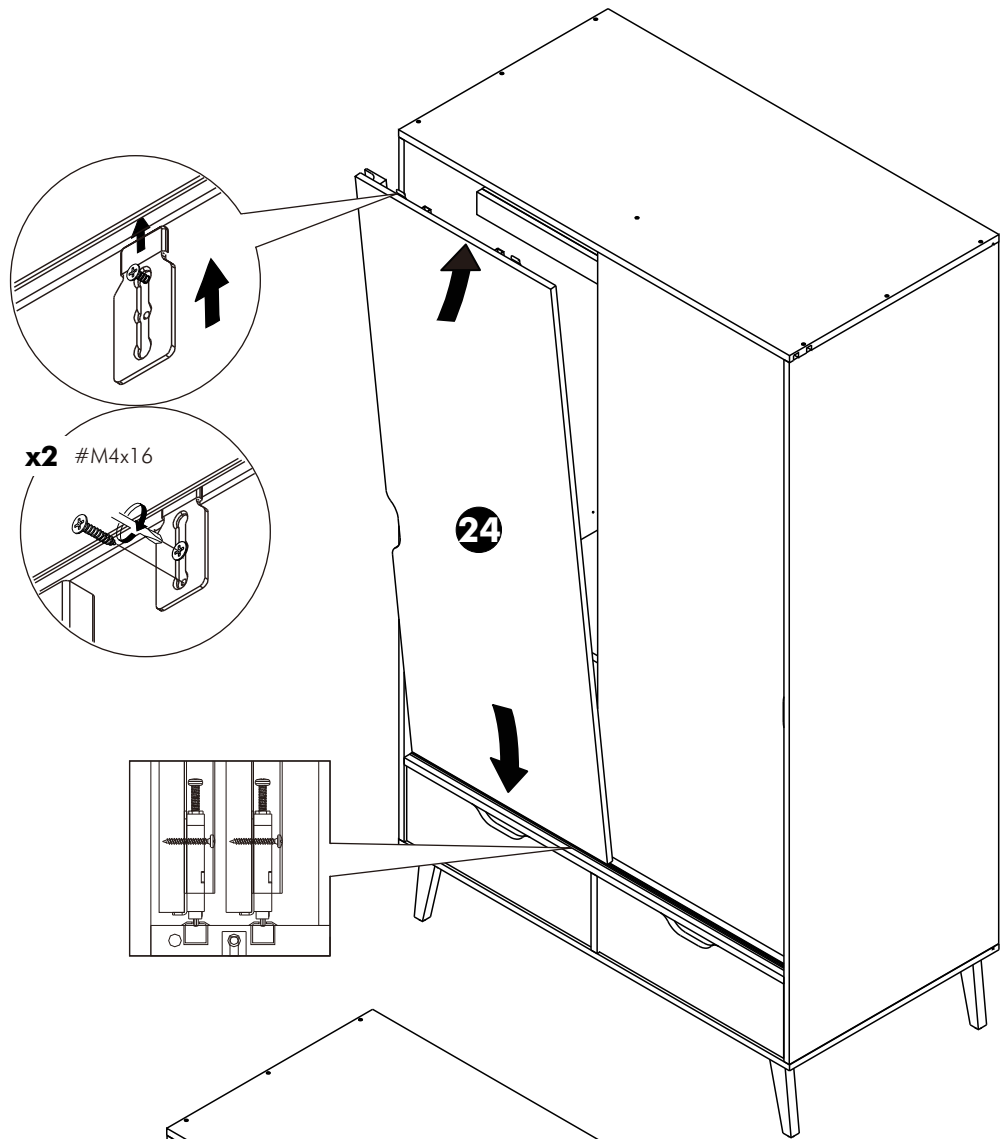
18.



19.



20.



21.

