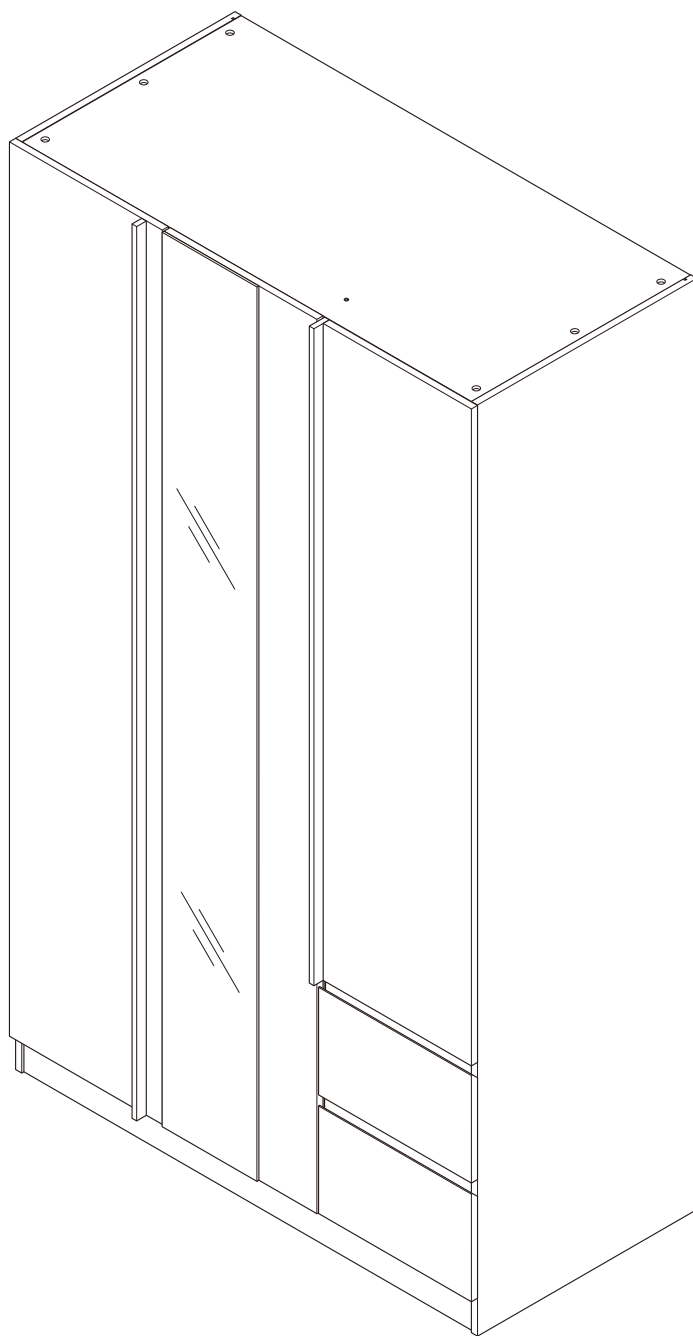


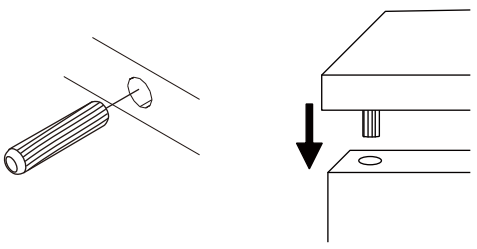
HARSH-P

Wardrobe 3 dr

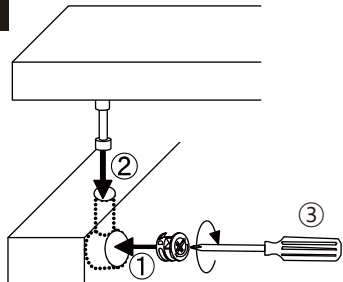


CONNECT SYSTEM

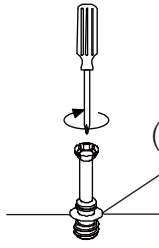
1



3




2




(Connecting bolts)

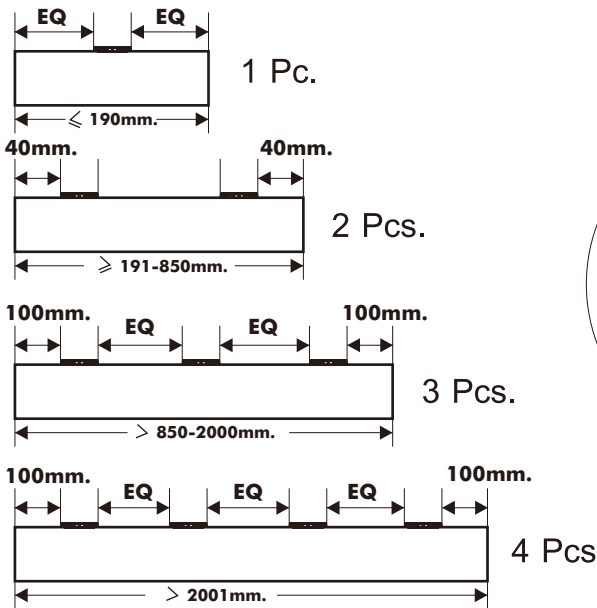
WHEN FITTING CAMS
ENSURE STARTING POSITION IS CORRECT
BEFORE YOU INSERT CONNECTING BOLT
TURN CLOCKWISE UNTIL SECURE



↑
CORRECT



WRONG



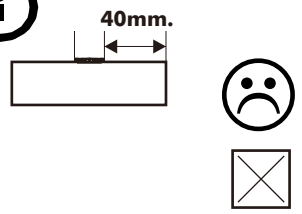
EQ EQ 1 Pc. $\leq 190\text{mm.}$

40mm. 40mm. 2 Pcs. $\geq 191-850\text{mm.}$

100mm. EQ EQ 100mm. 3 Pcs. $> 850-2000\text{mm.}$

100mm. EQ EQ EQ 100mm. 4 Pcs. $> 2001\text{mm.}$

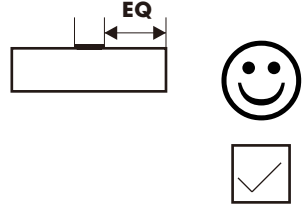
i 40mm.



☹

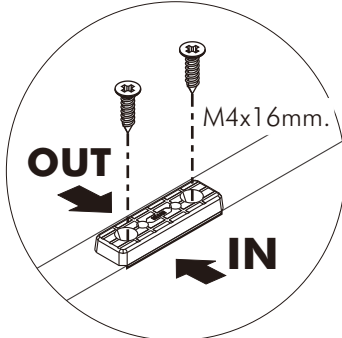
☒

EQ



☺

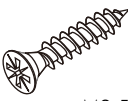
☑



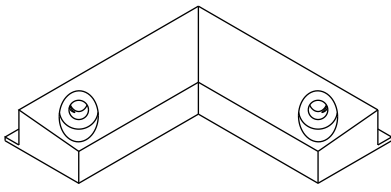
M4x16mm.

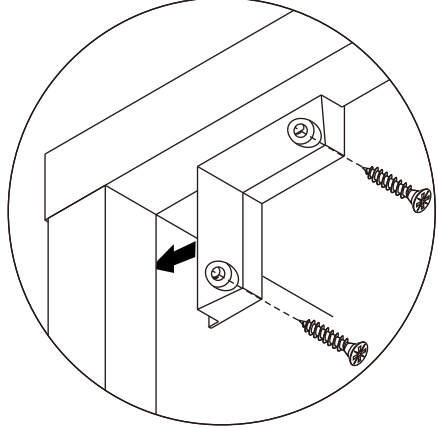
OUT

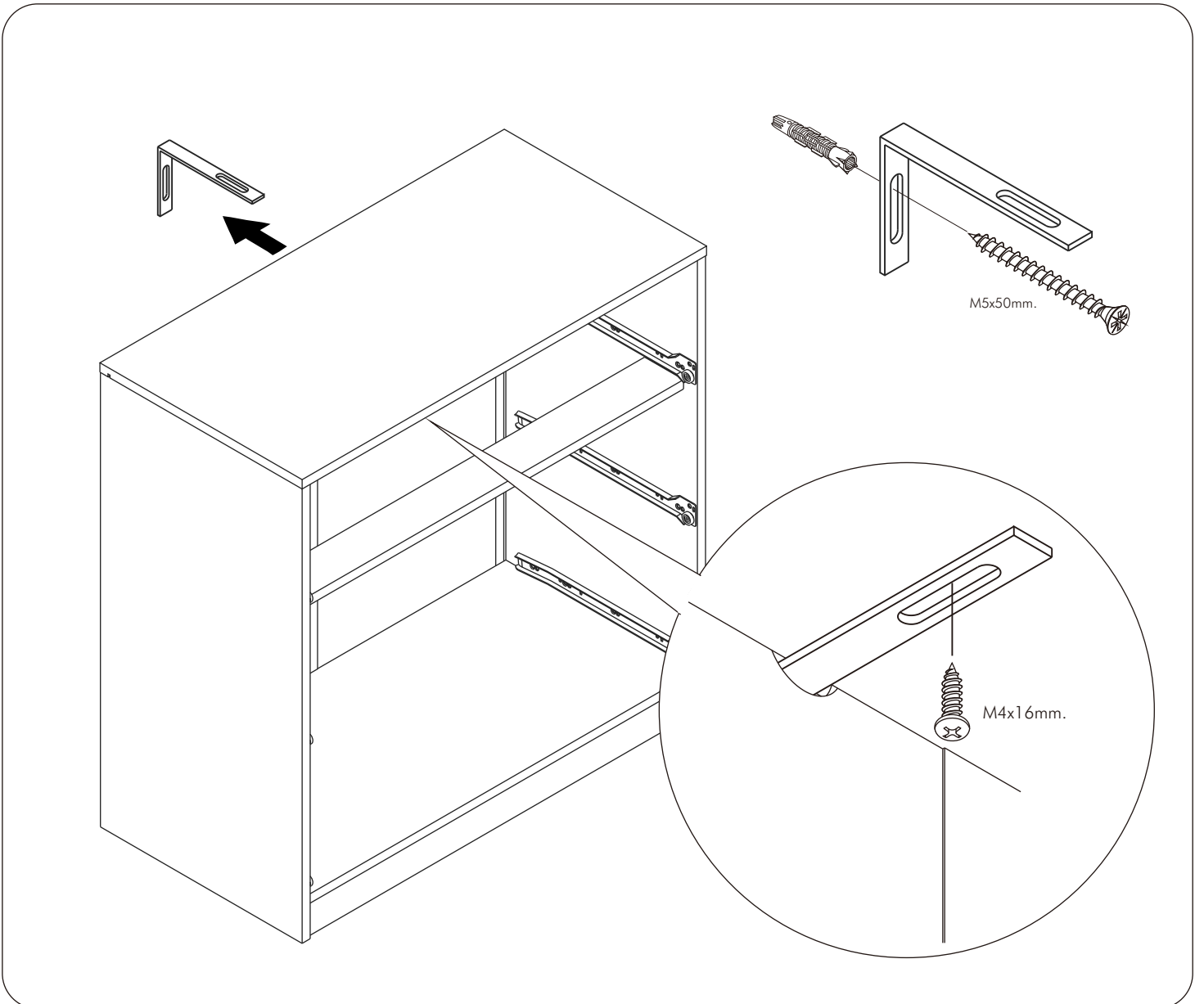
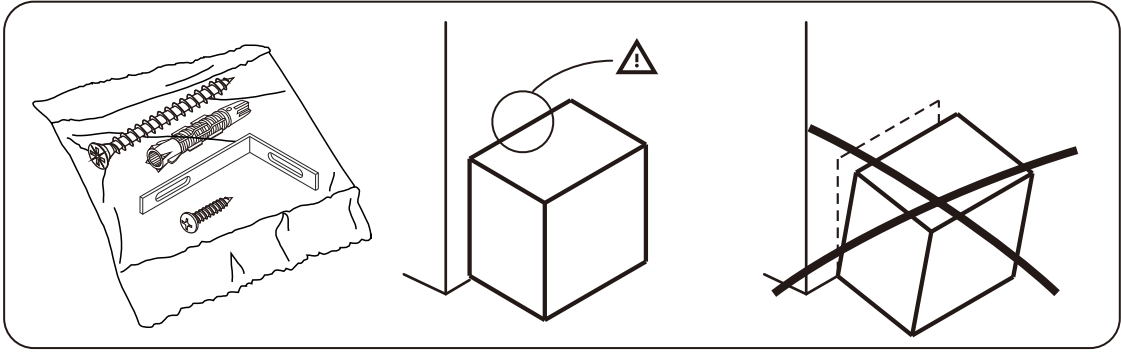
IN



M3.5x20mm.

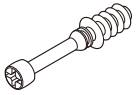






HARDWARE

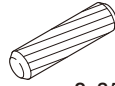
-BODY SET



X 29

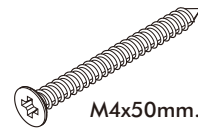


X 29



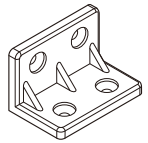
8x35mm.

X 36



M4x50mm.

X 4



X 13



M4x13mm.

X 11

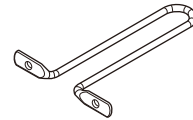


X 2

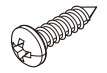


M3.5x13mm.

X 32

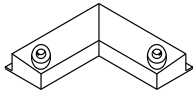


X 1

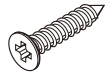


M4x16mm.

X 19

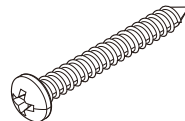


X 2



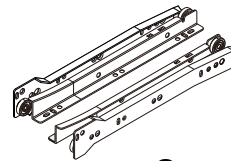
M3.5x20mm.

X 4

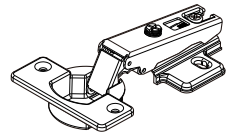


M4x45mm.

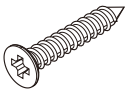
X 6



X 2

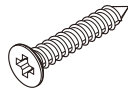


X 11



M4x25mm. (Black)

X 12



M4x25mm.

X 6



M4x16mm.

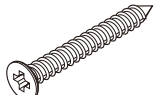
X 120



X 6

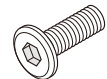


X 4



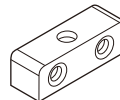
M4x40mm.

X 17

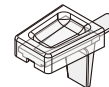


TFL4 M6x23mm.

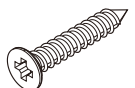
X 8



X 2



X 4



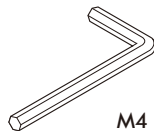
M4x30mm.

X 6



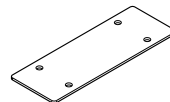
Ø11mm.

X 6

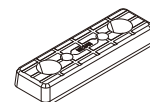


M4

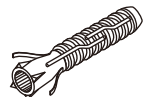
X 1



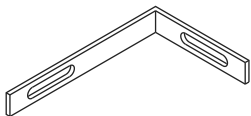
X 2



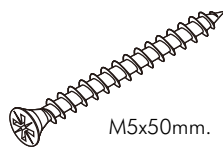
X 12



X 2



X 2



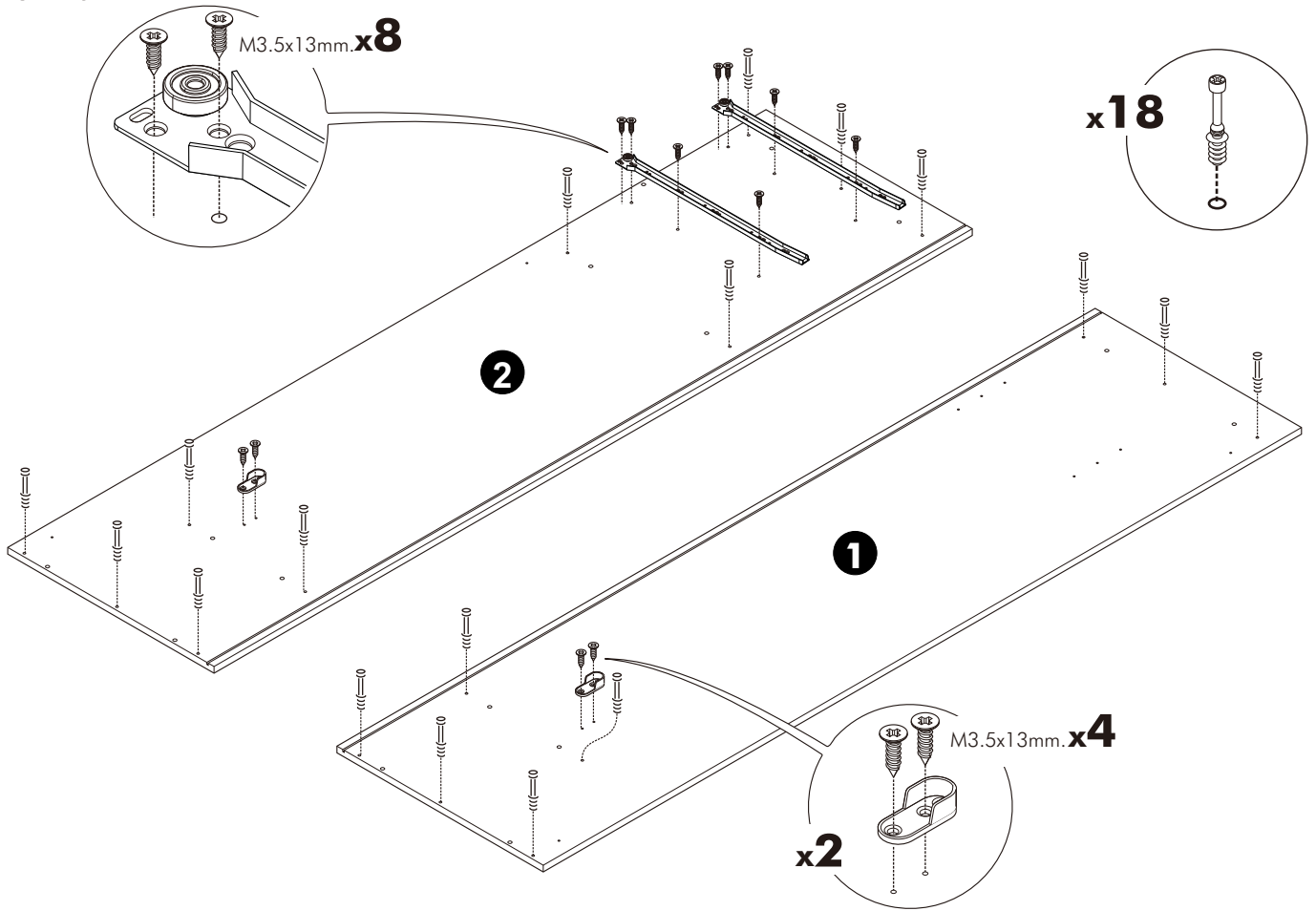
M5x50mm.

X 2

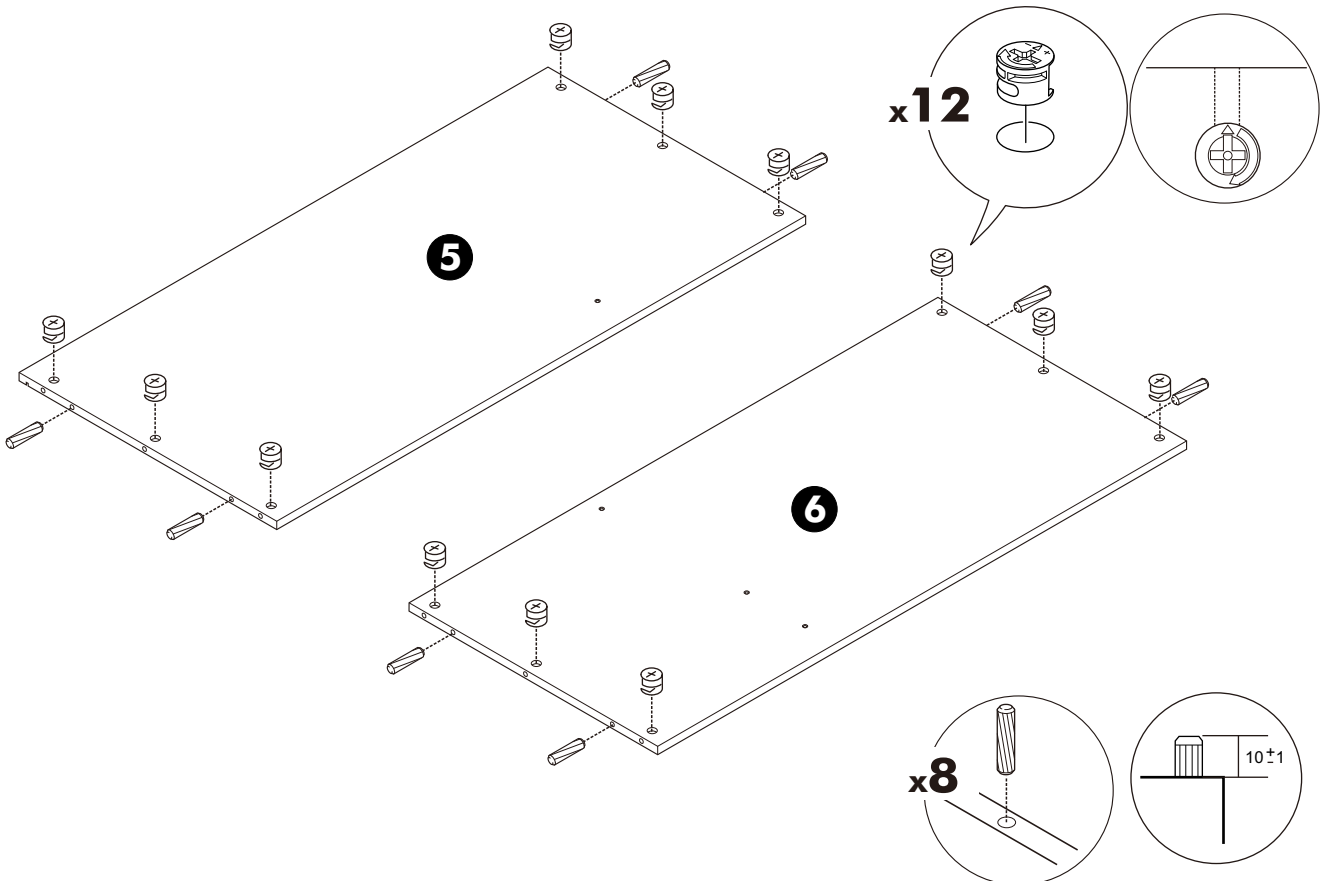
ASSEMBLY

-BODY SET

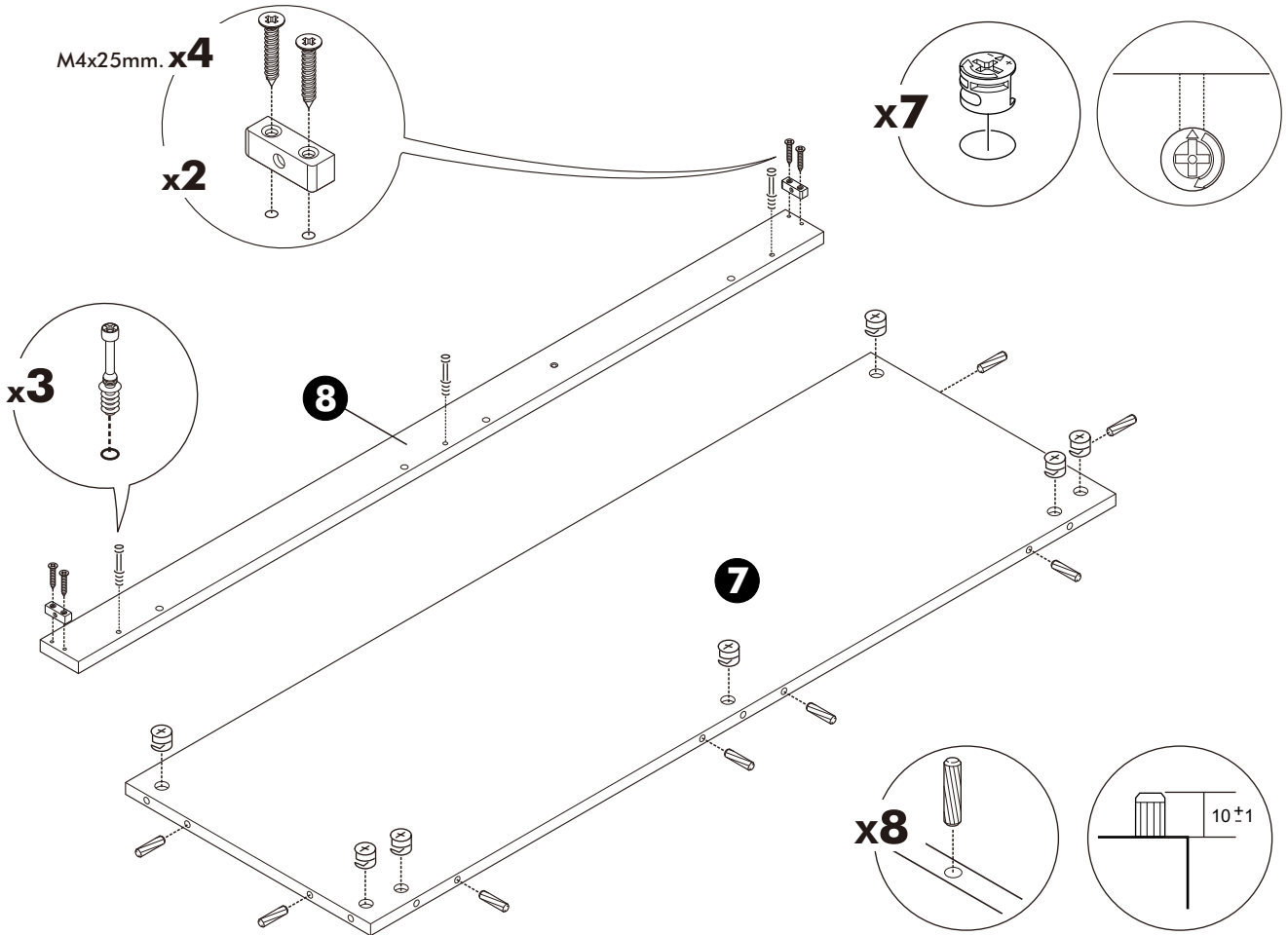
1.



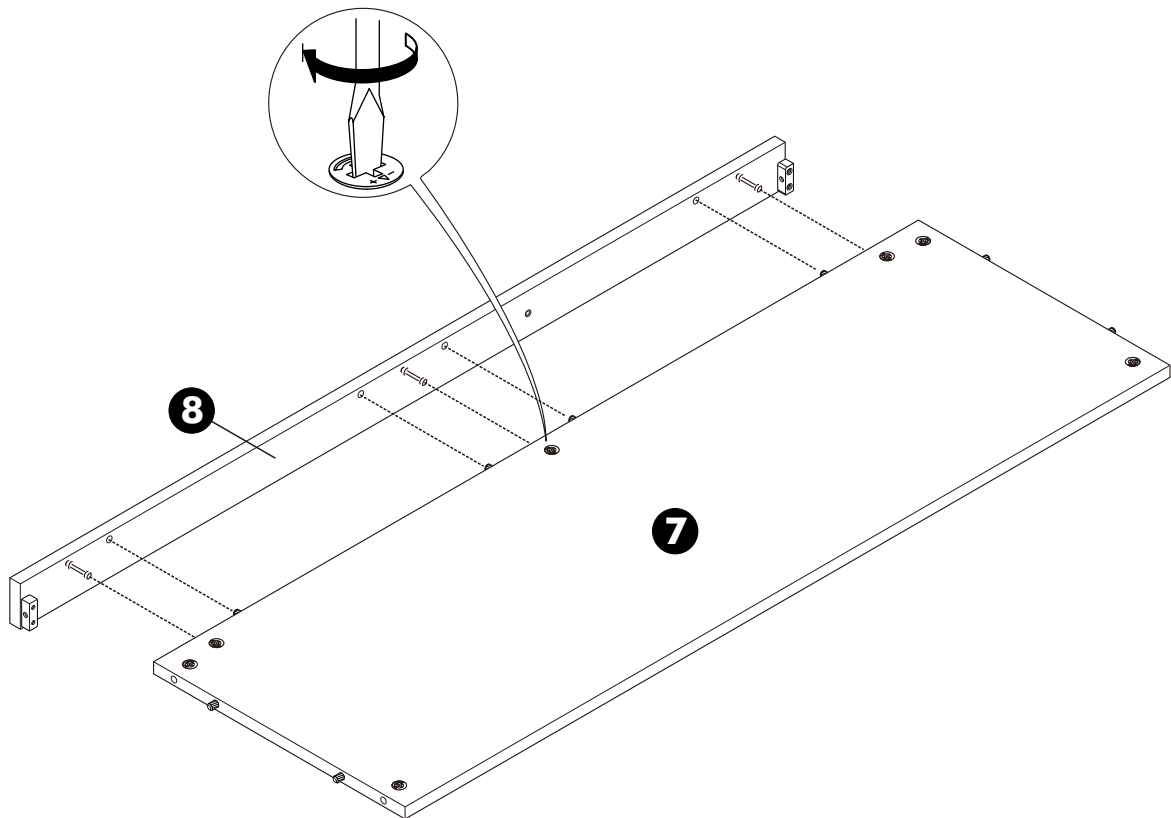
2.



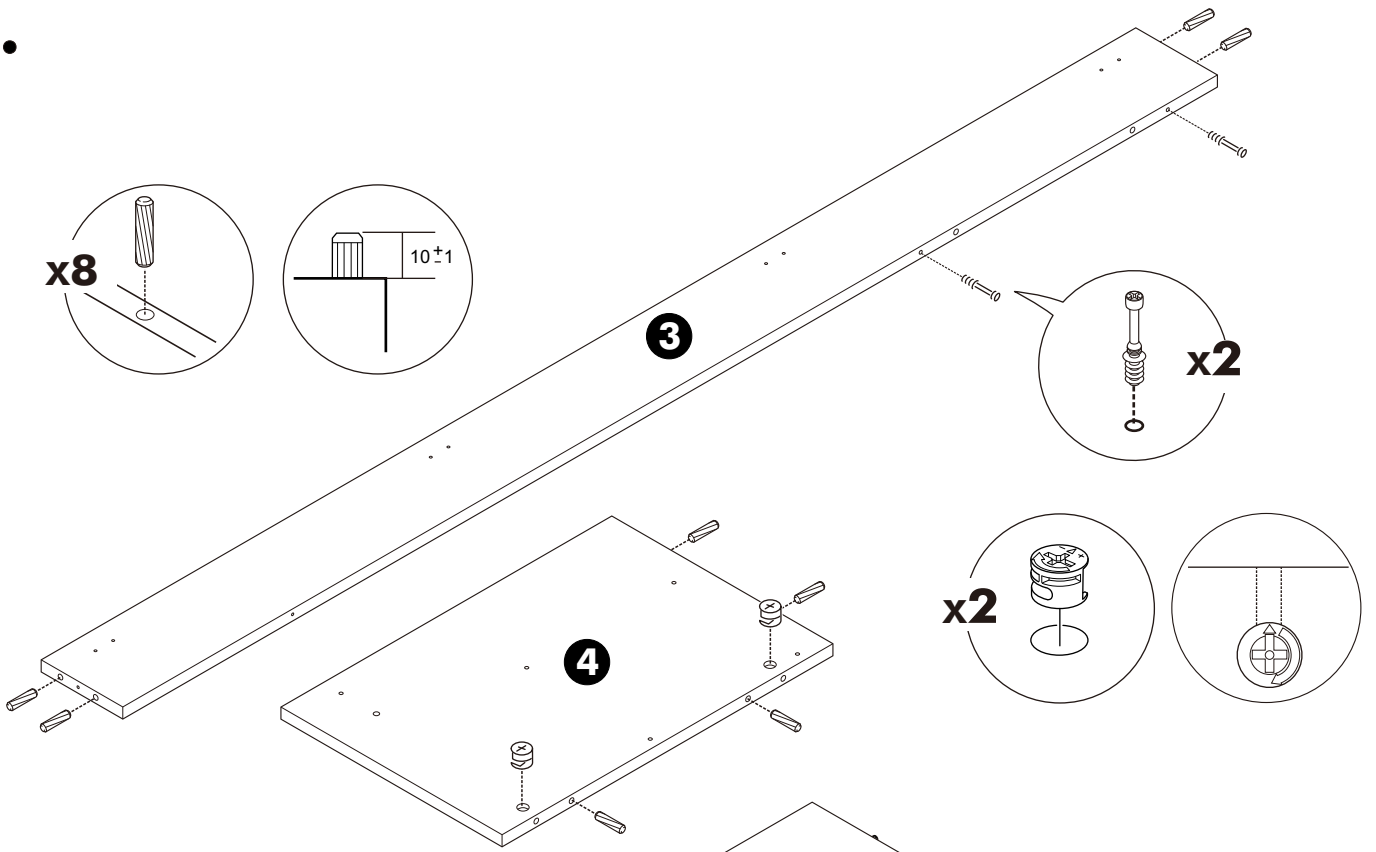
3.



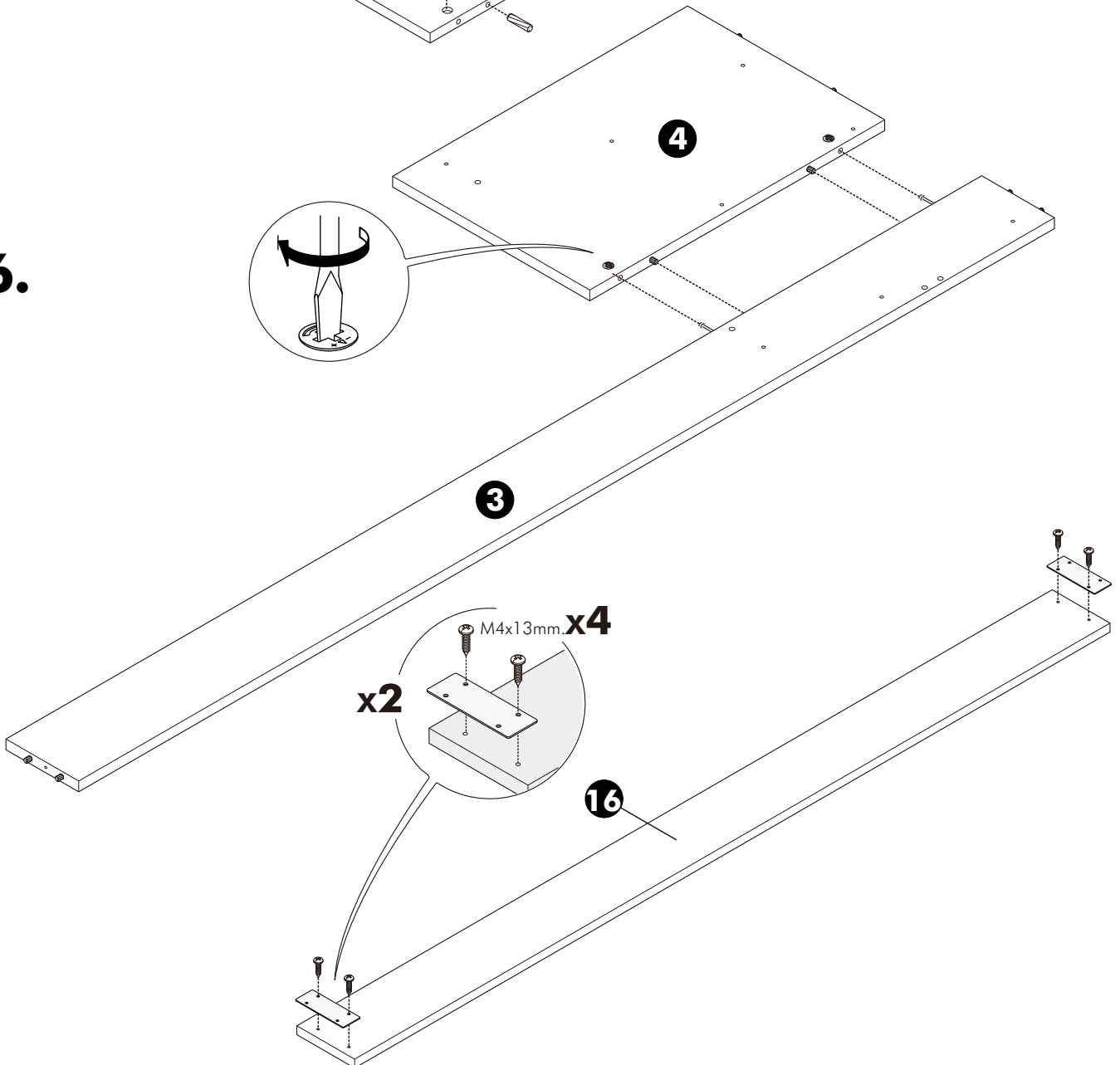
4.



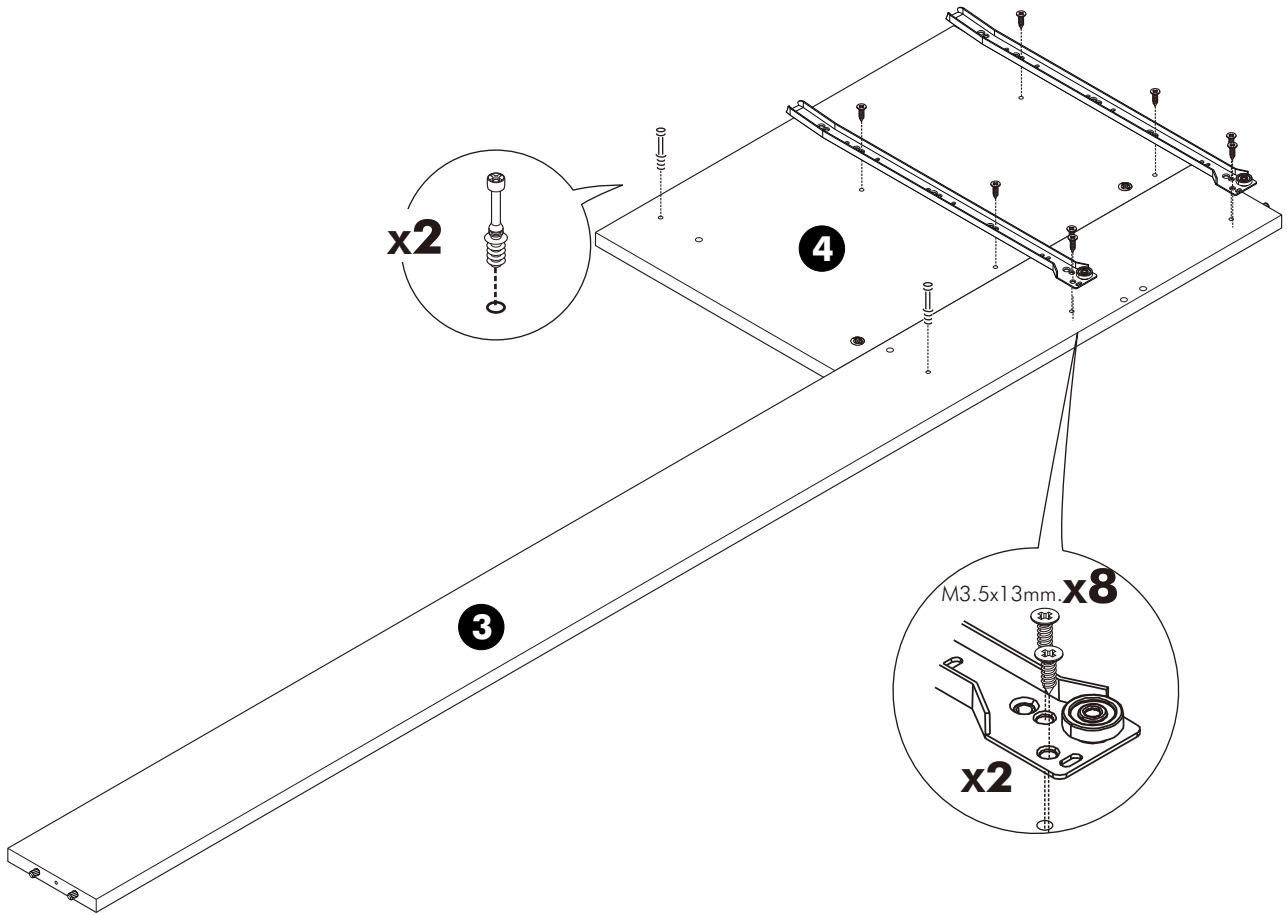
5.



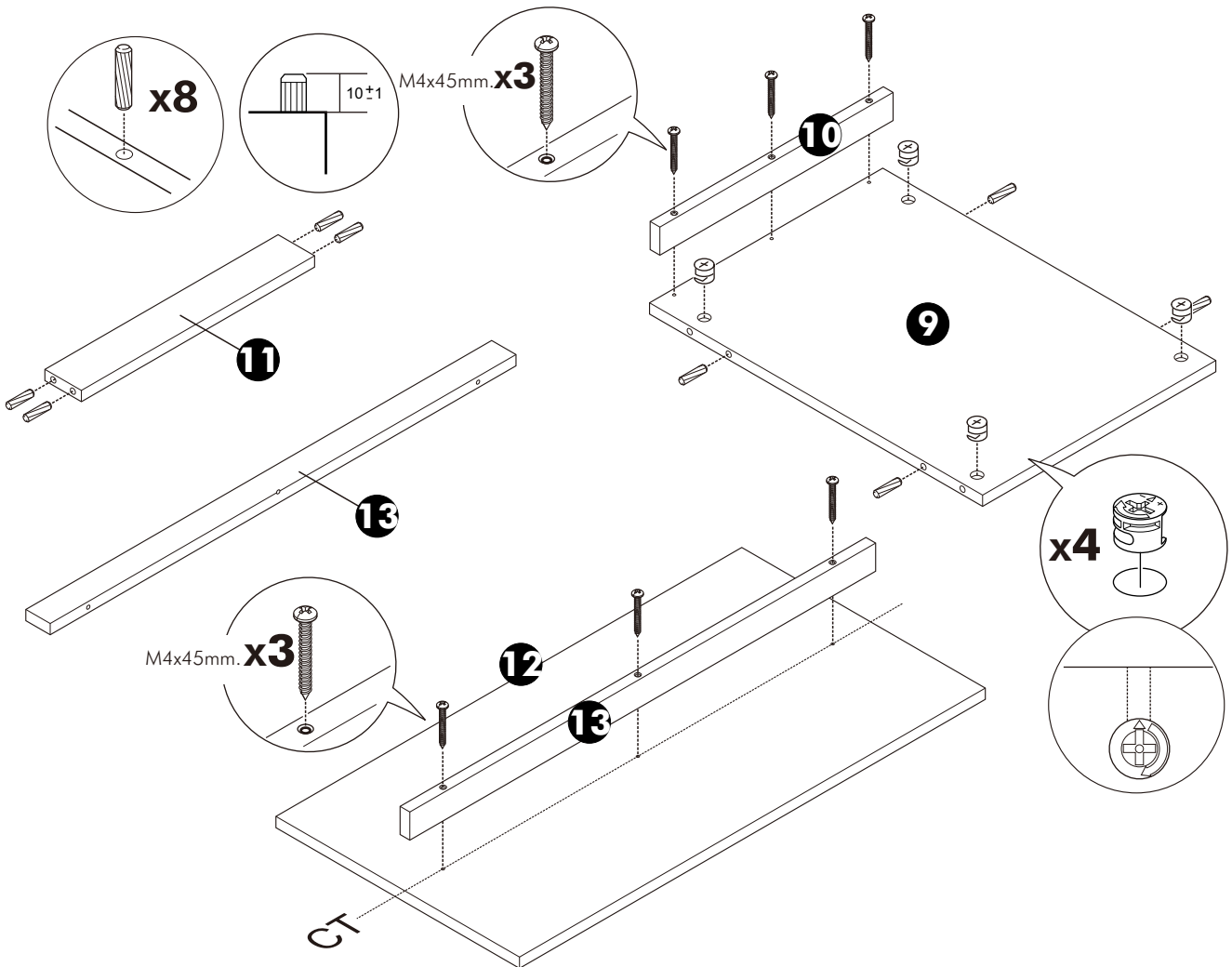
6.



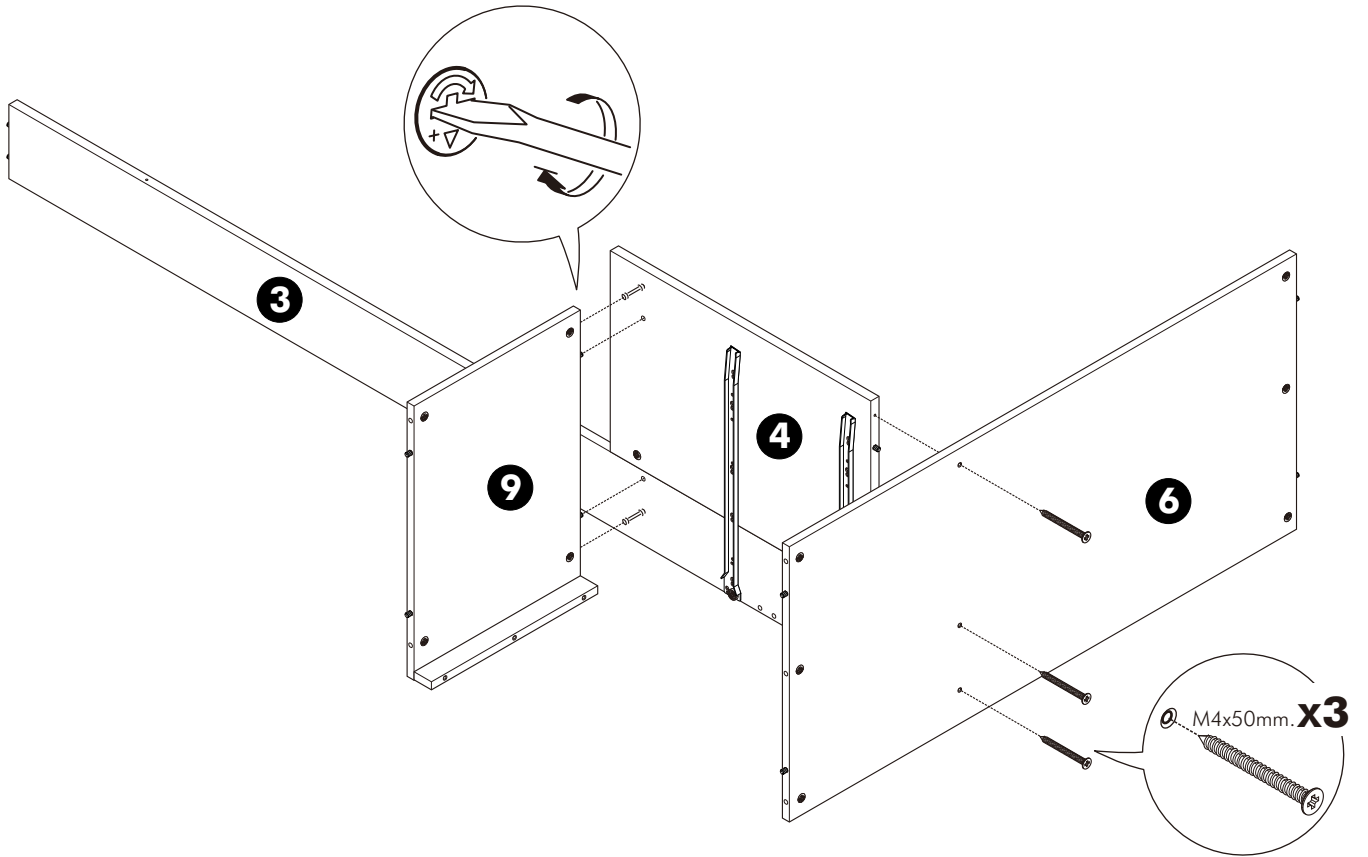
7.



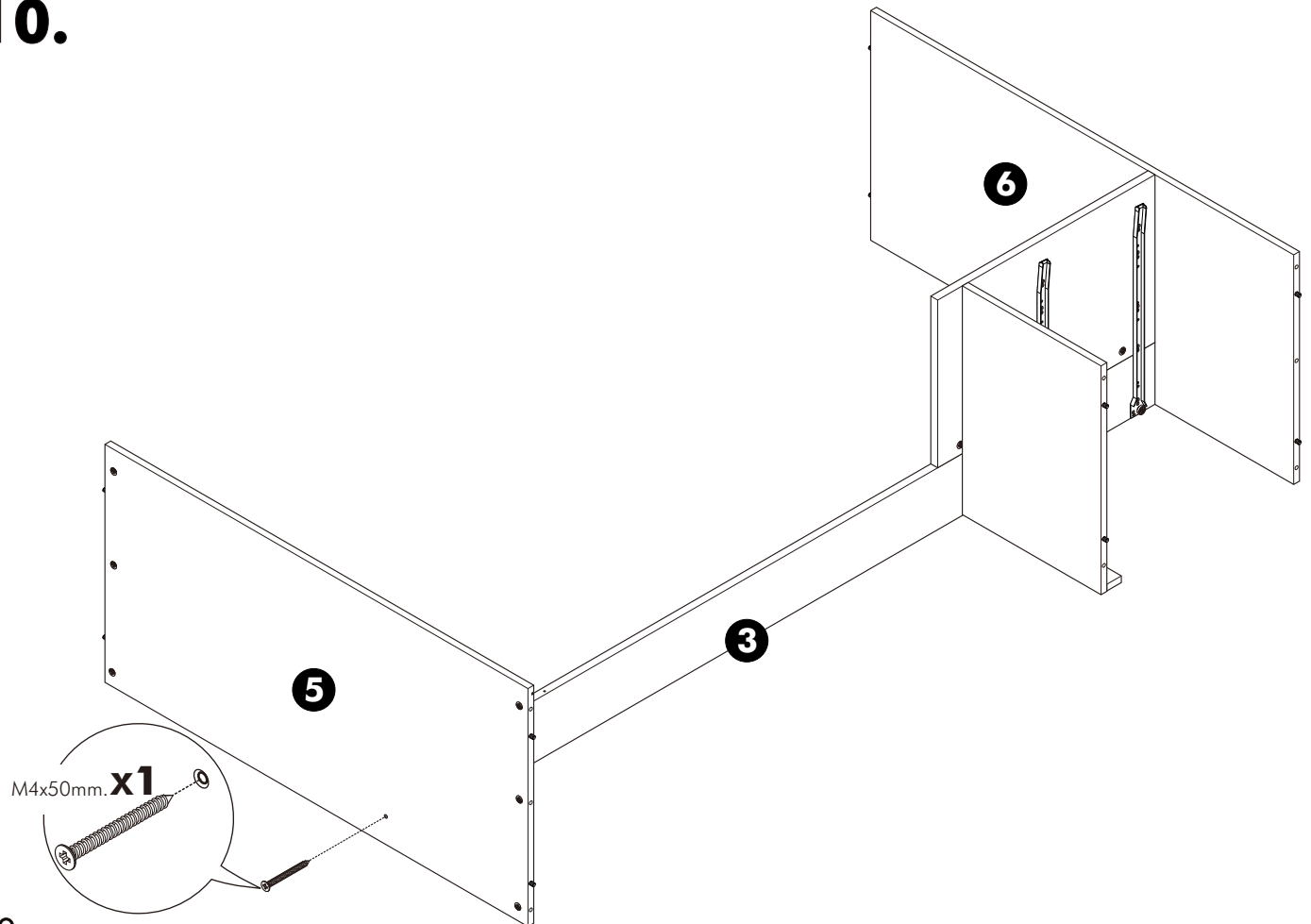
8.



9.

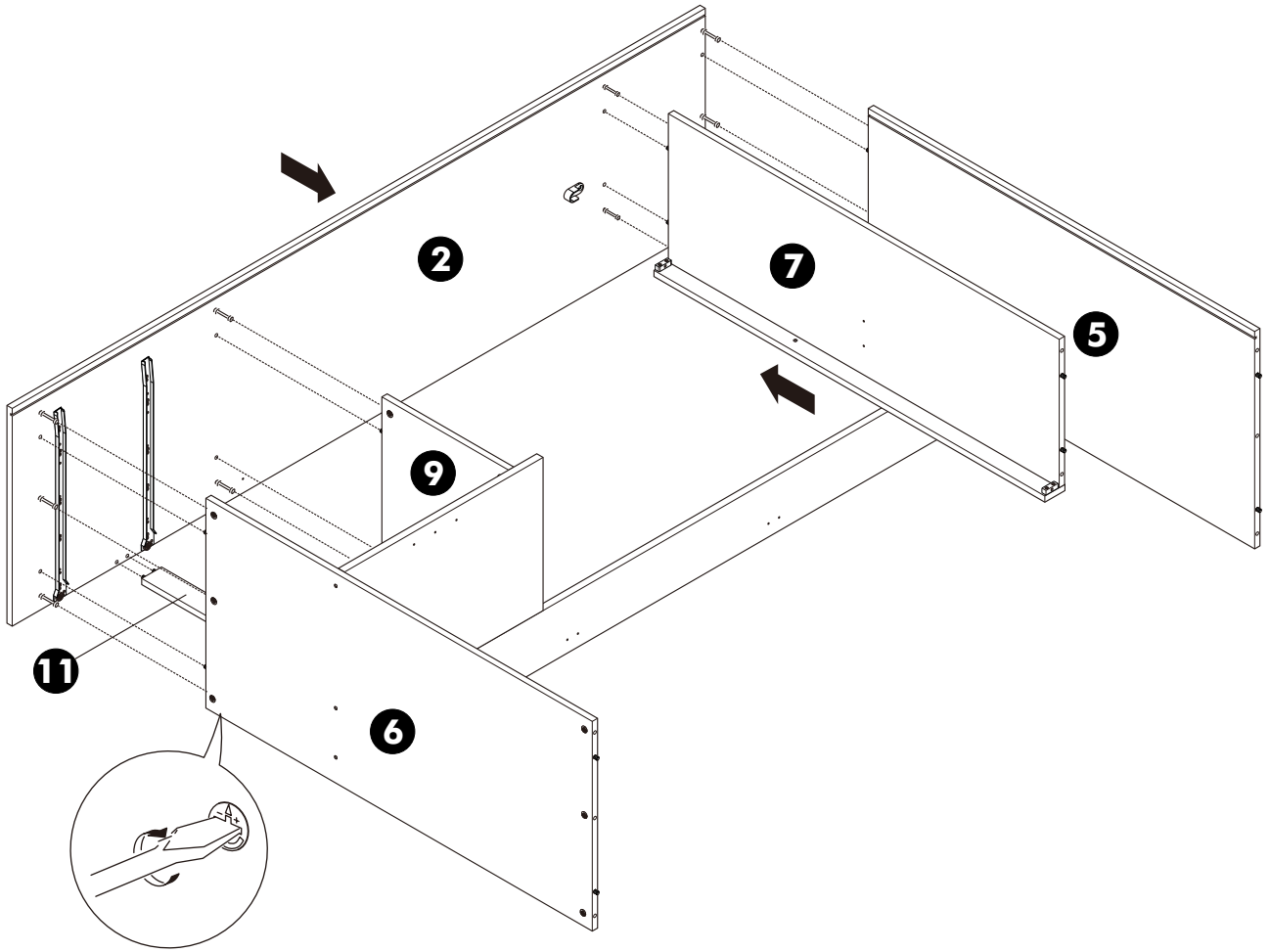


10.

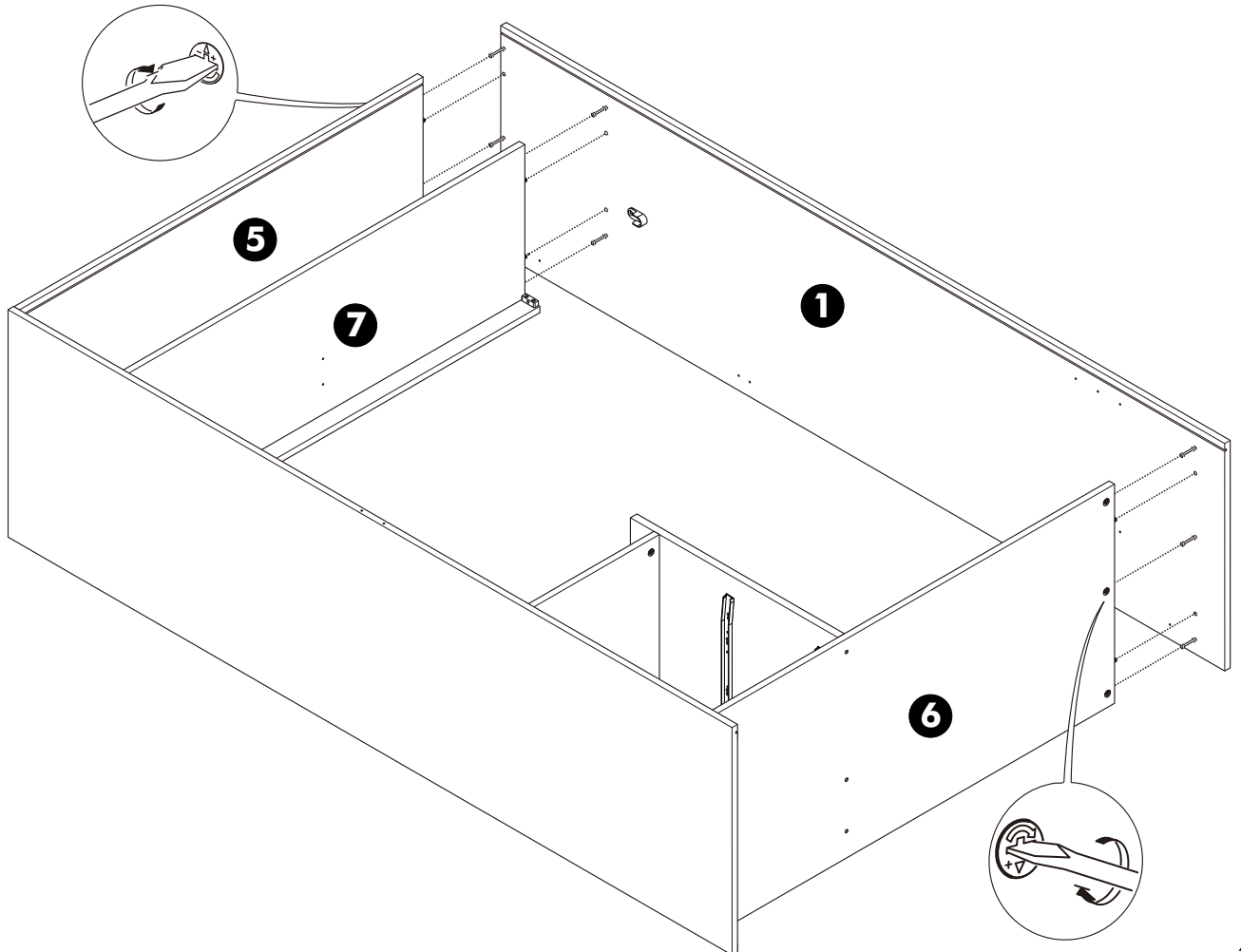


10

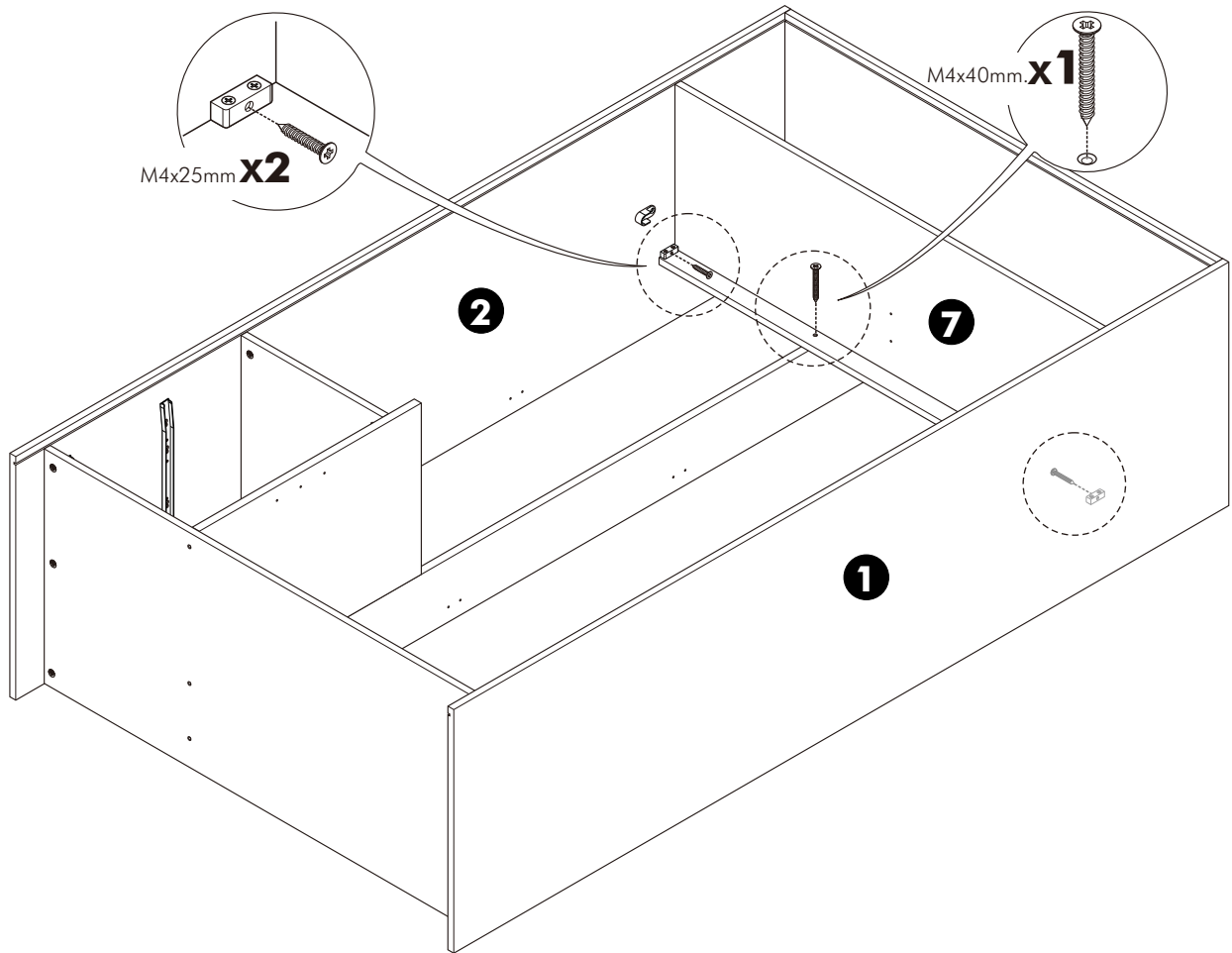
11.



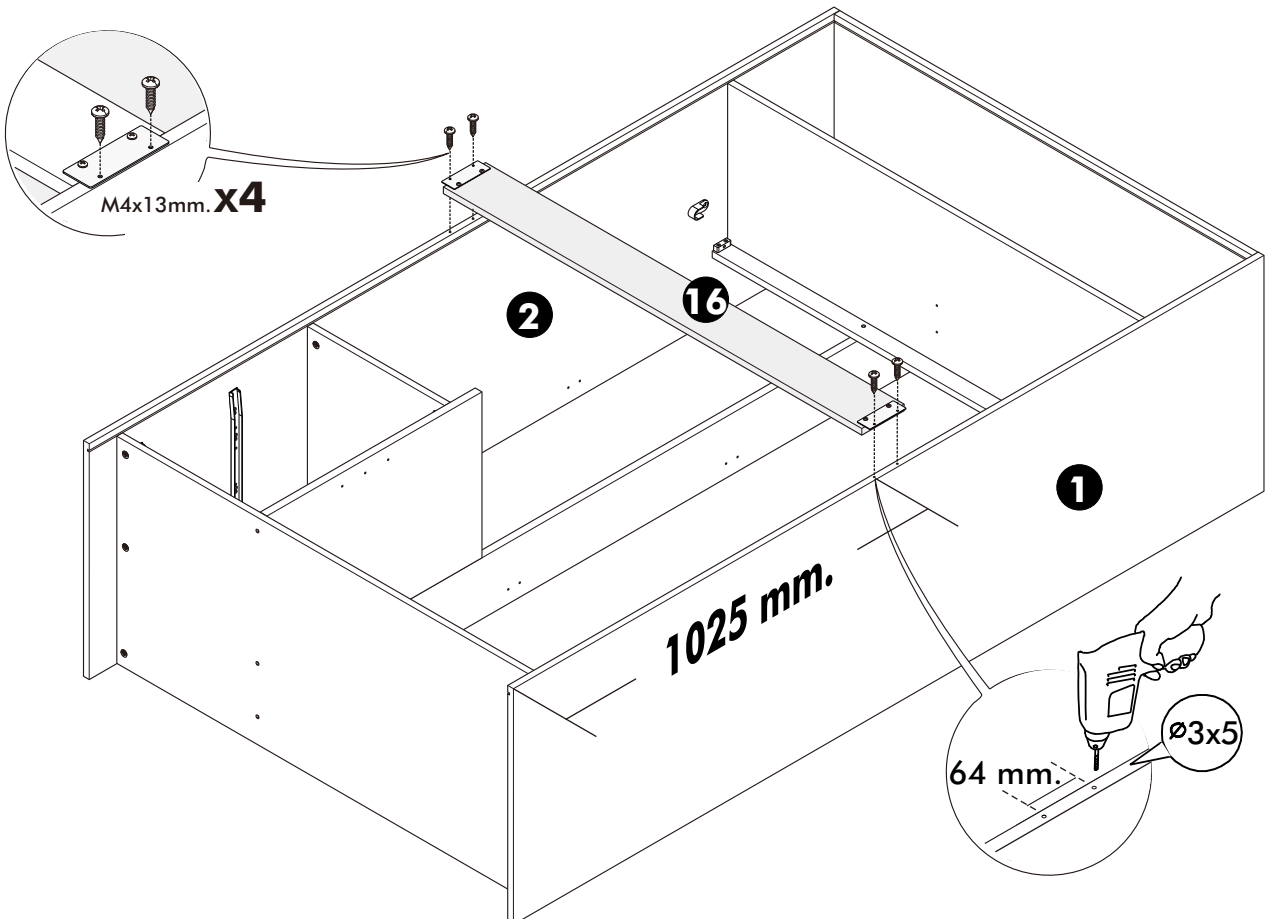
12.



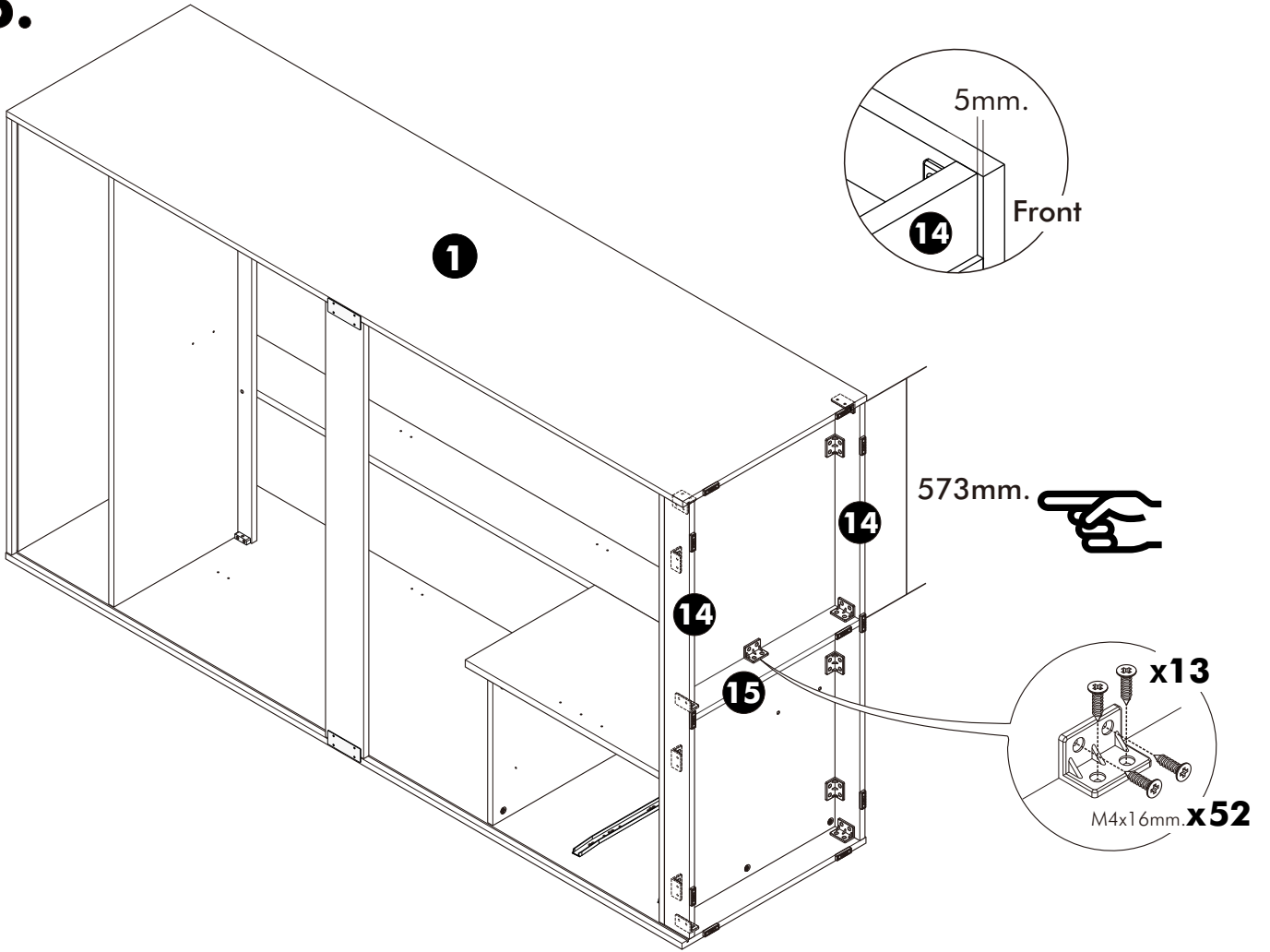
13.



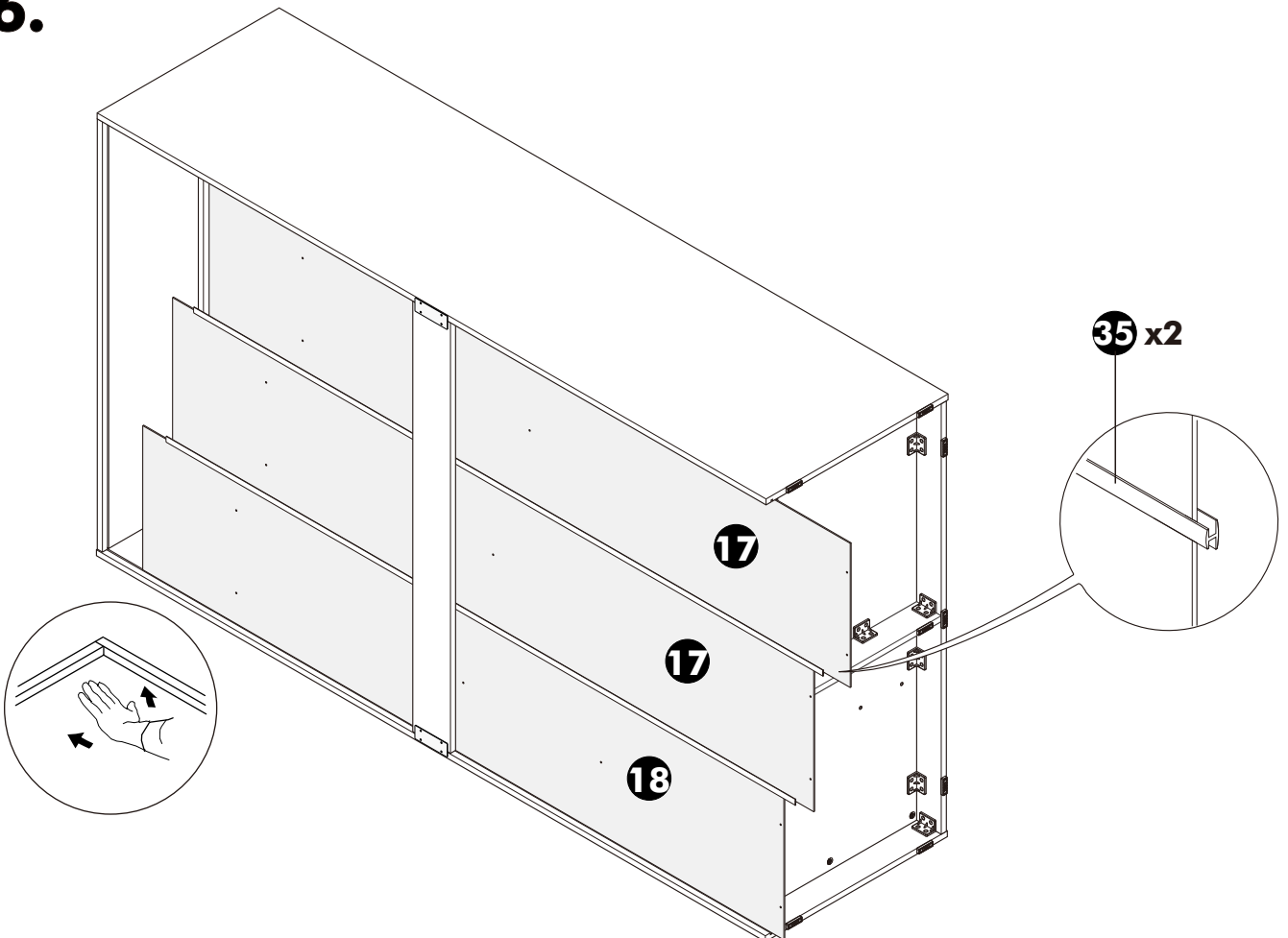
14.



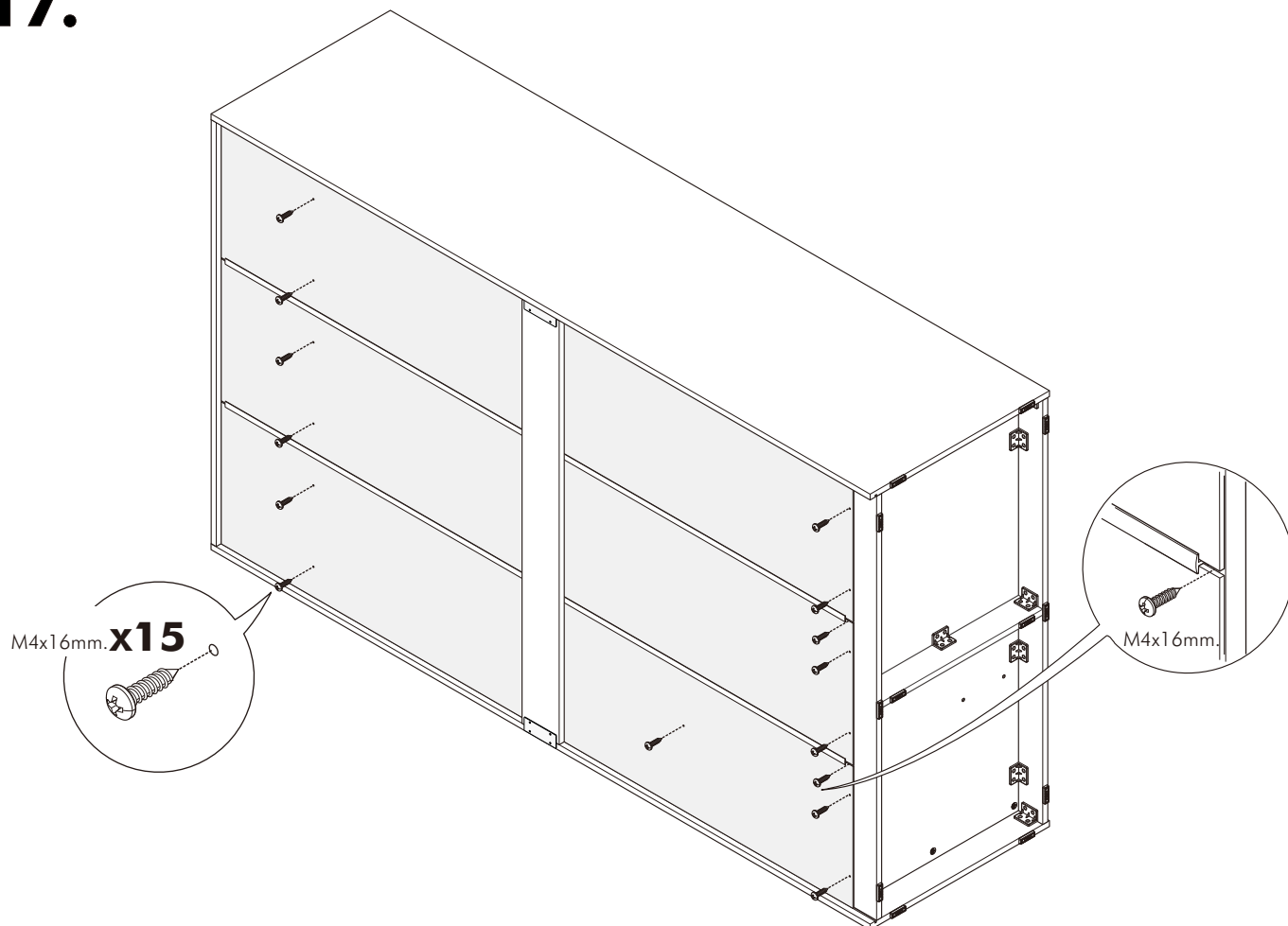
15.



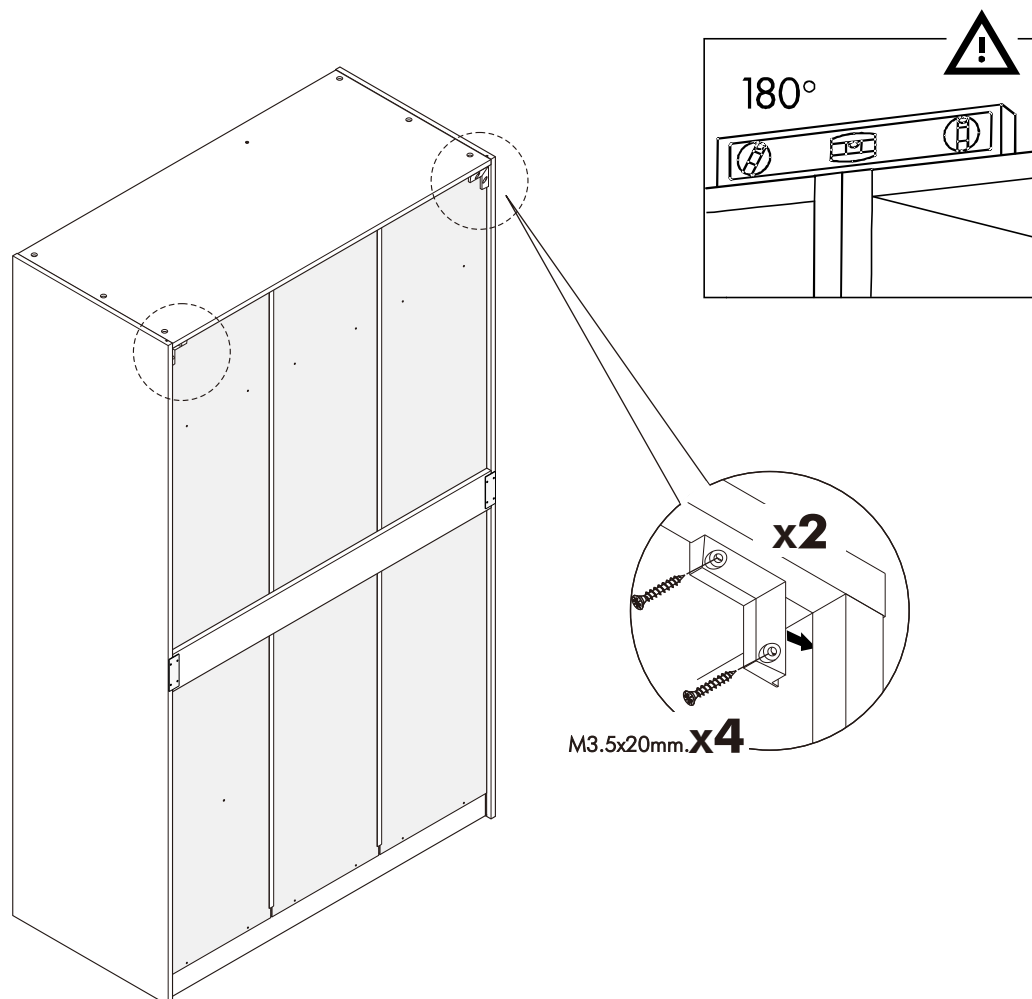
16.



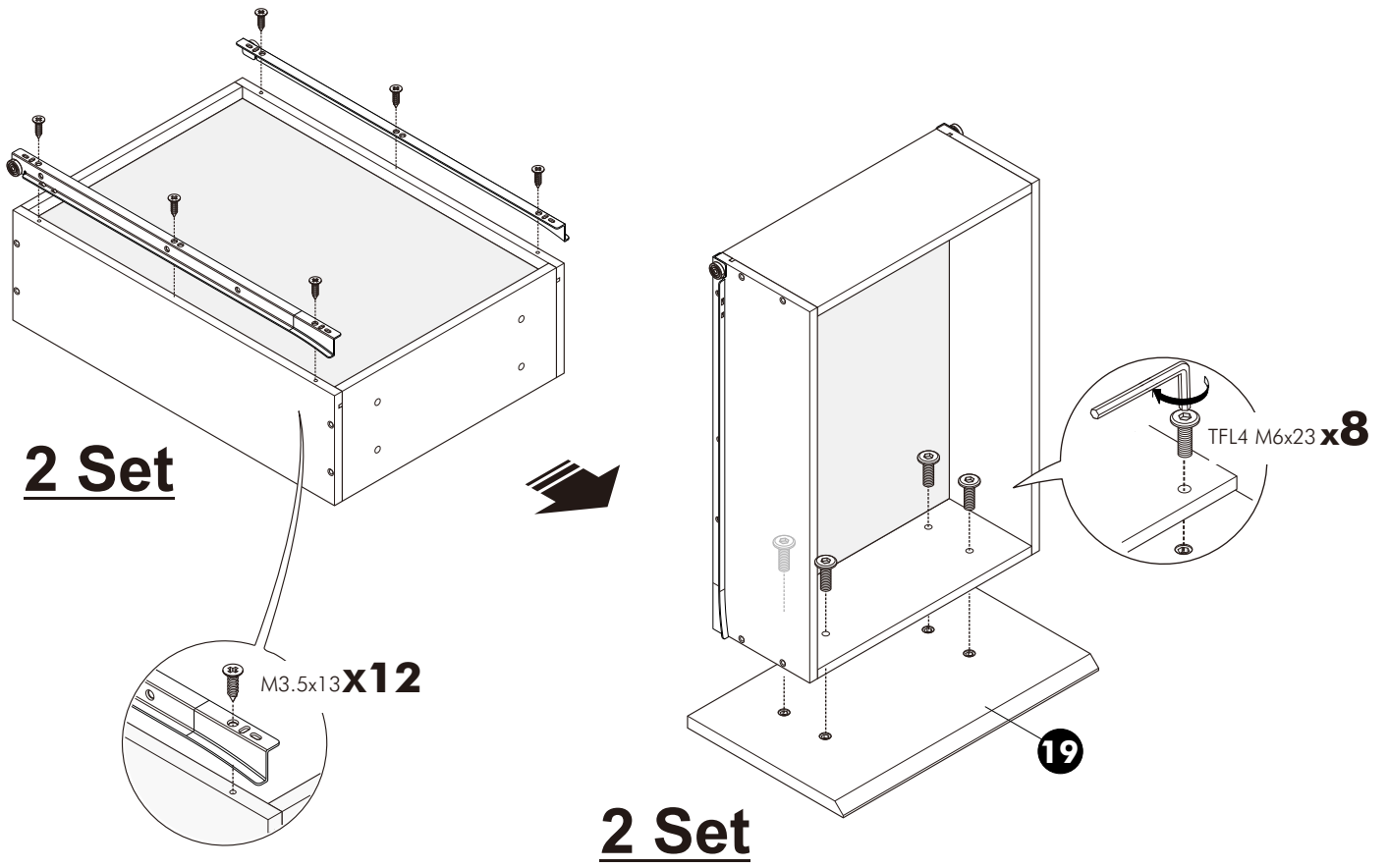
17.



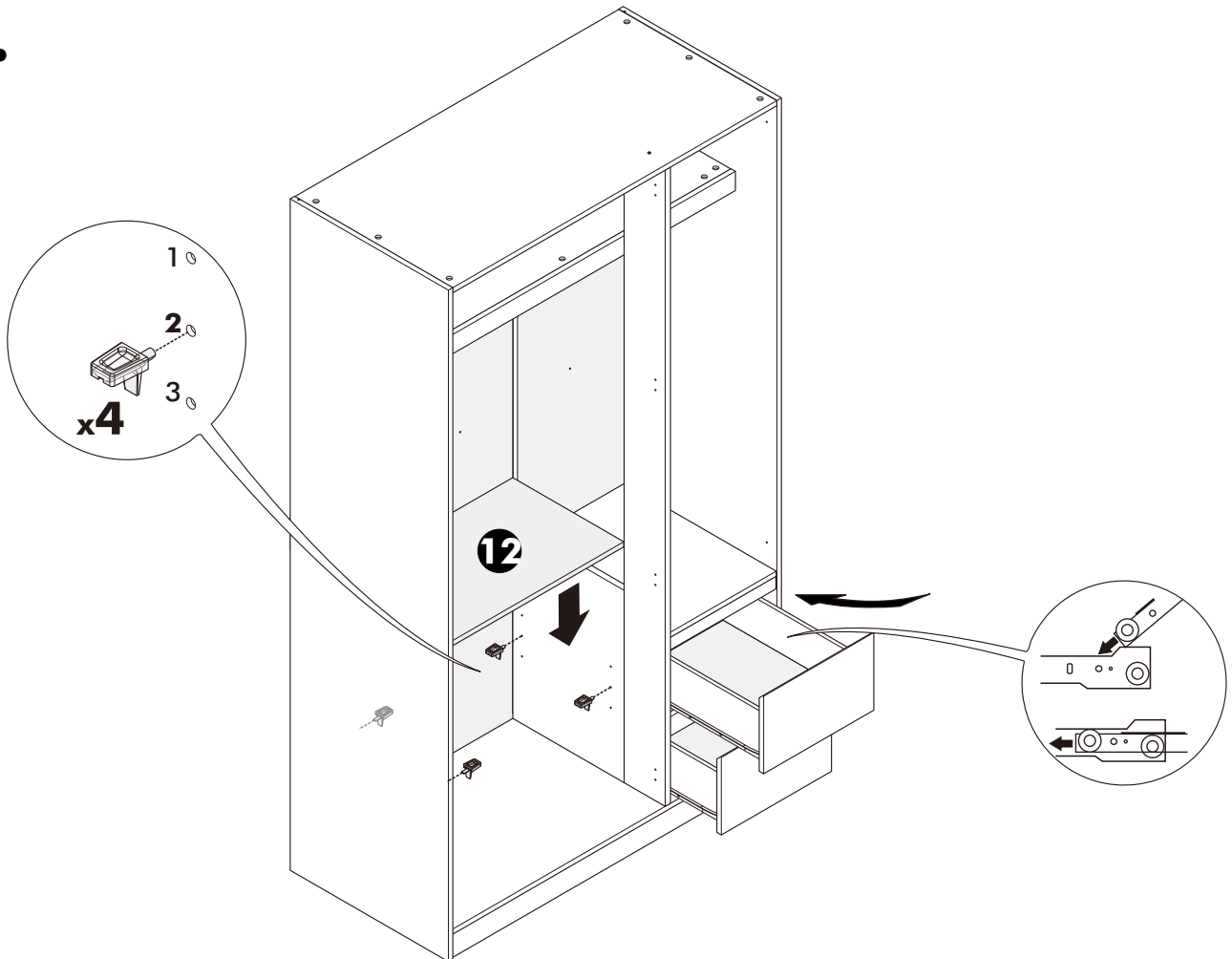
18.



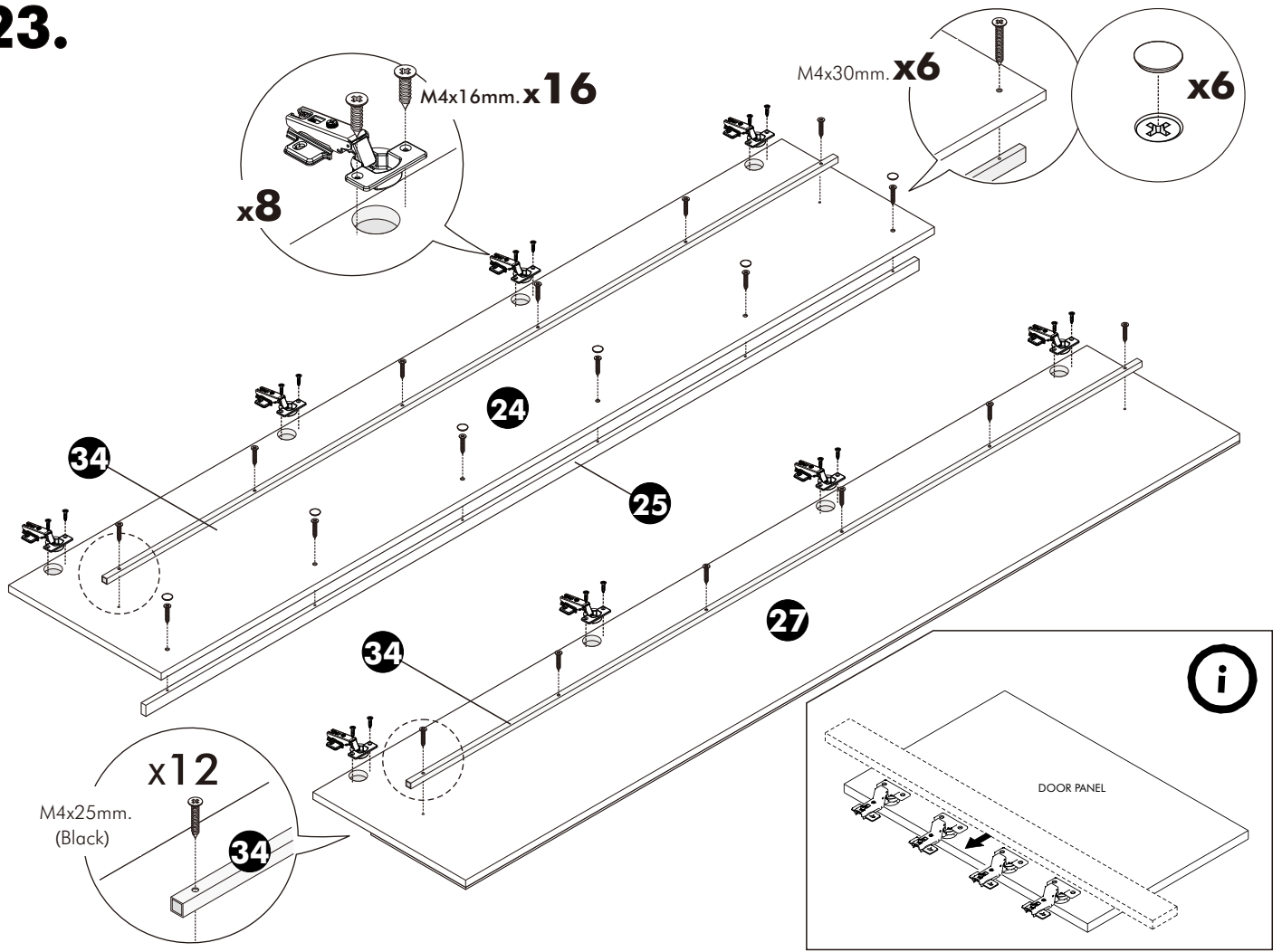
21.



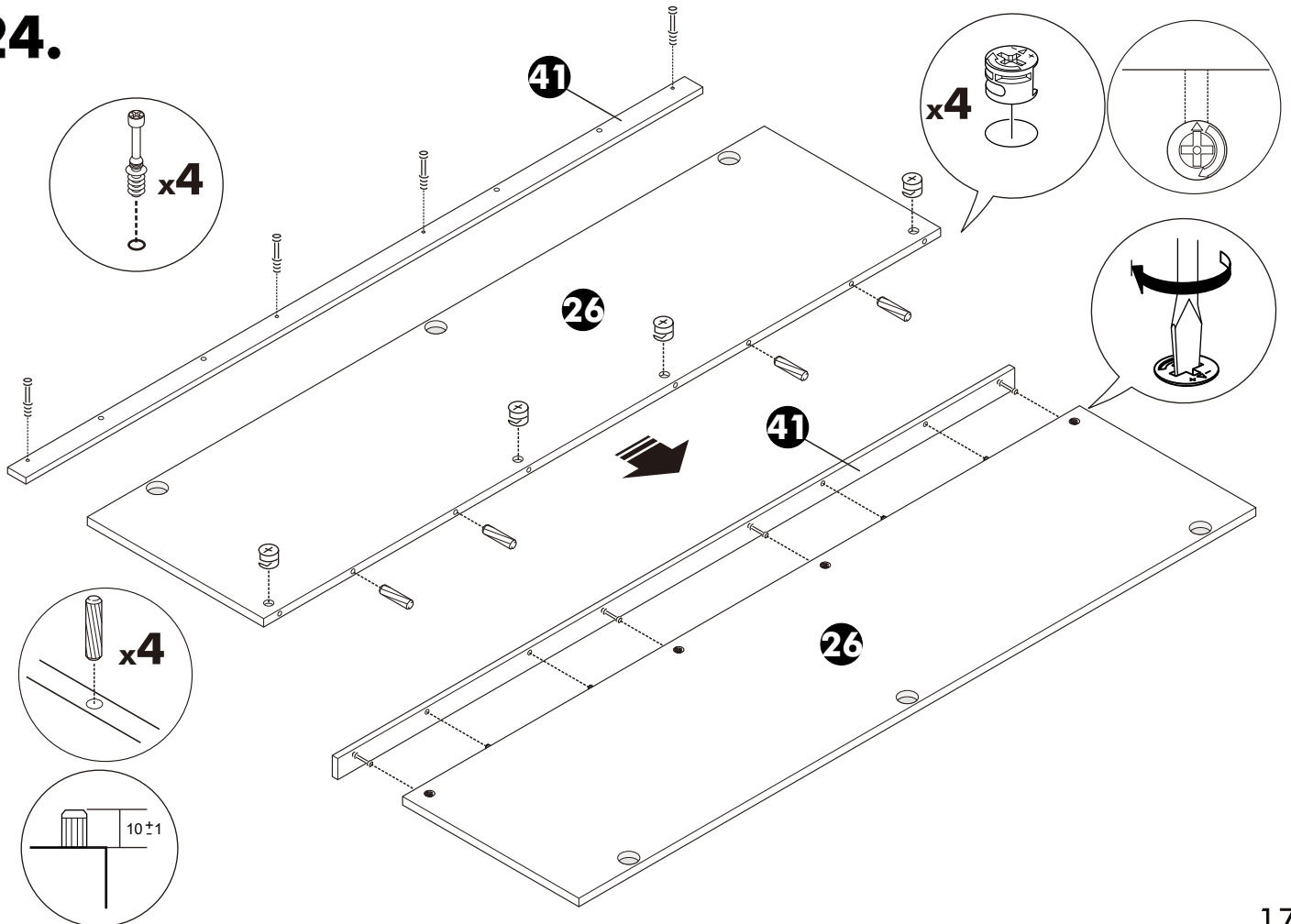
22.



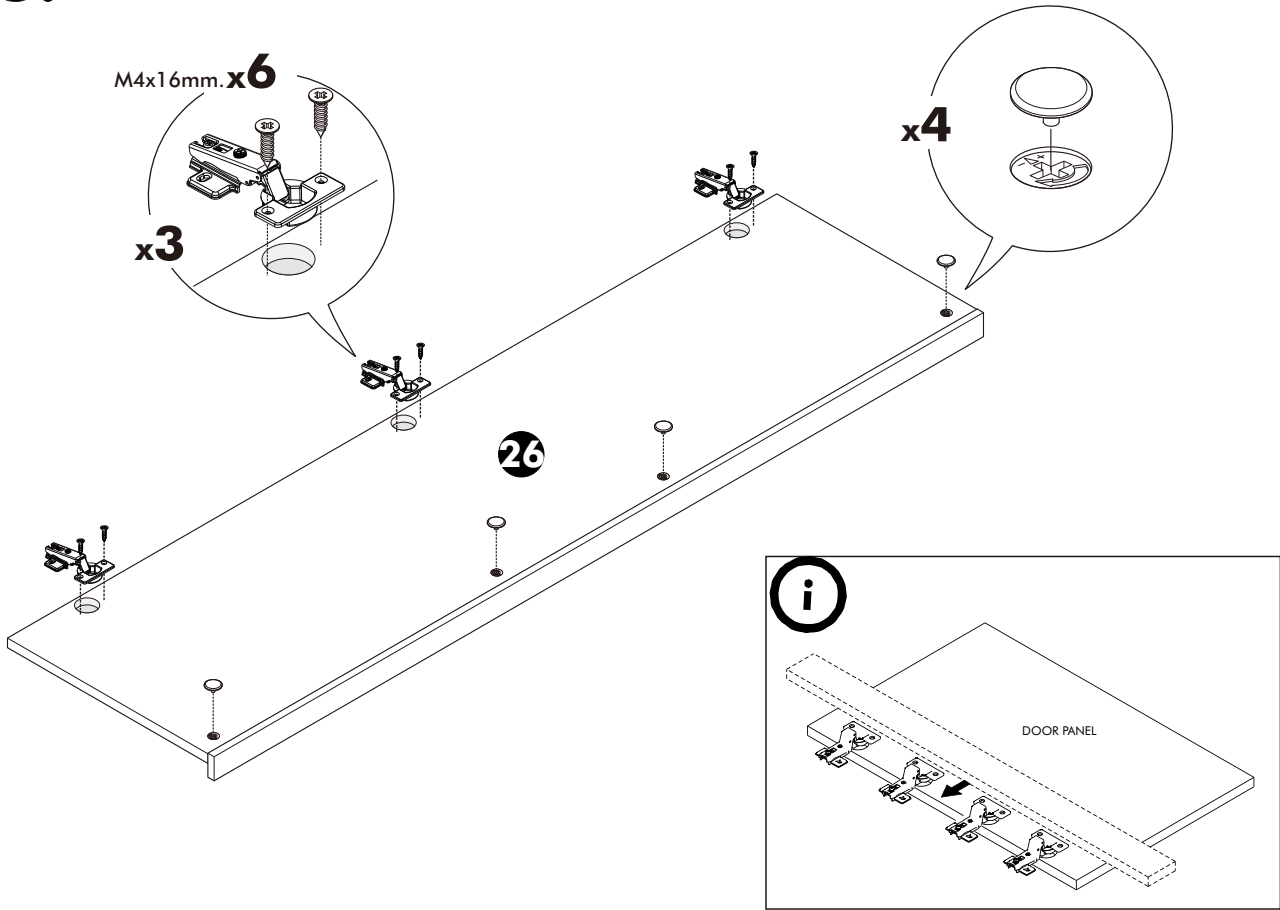
23.



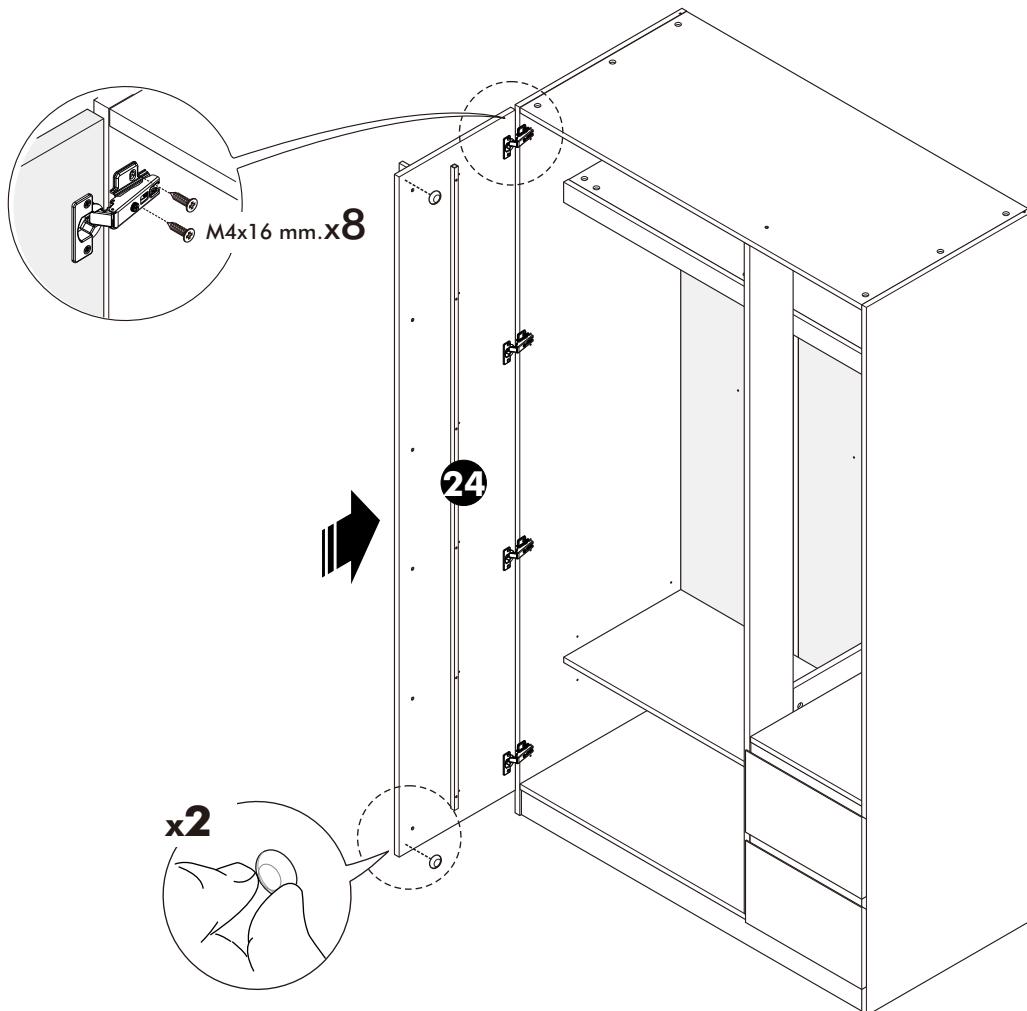
24.



25.



26.



27.

