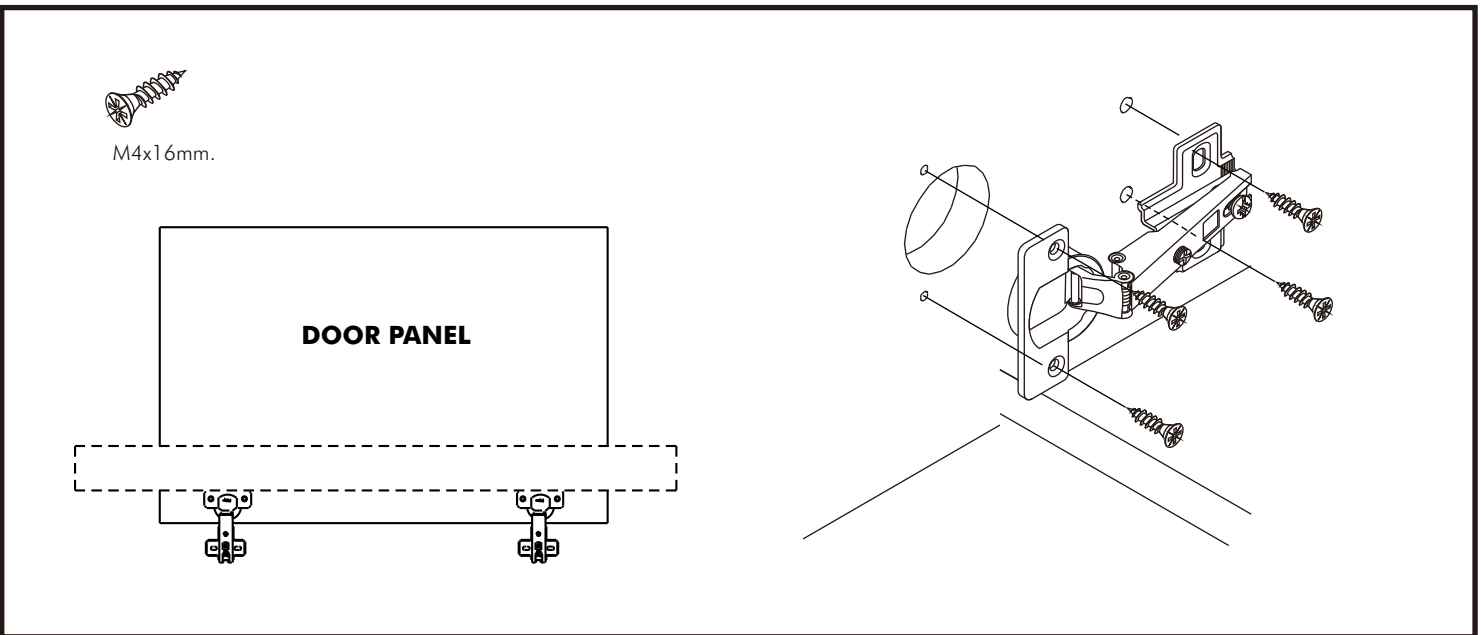
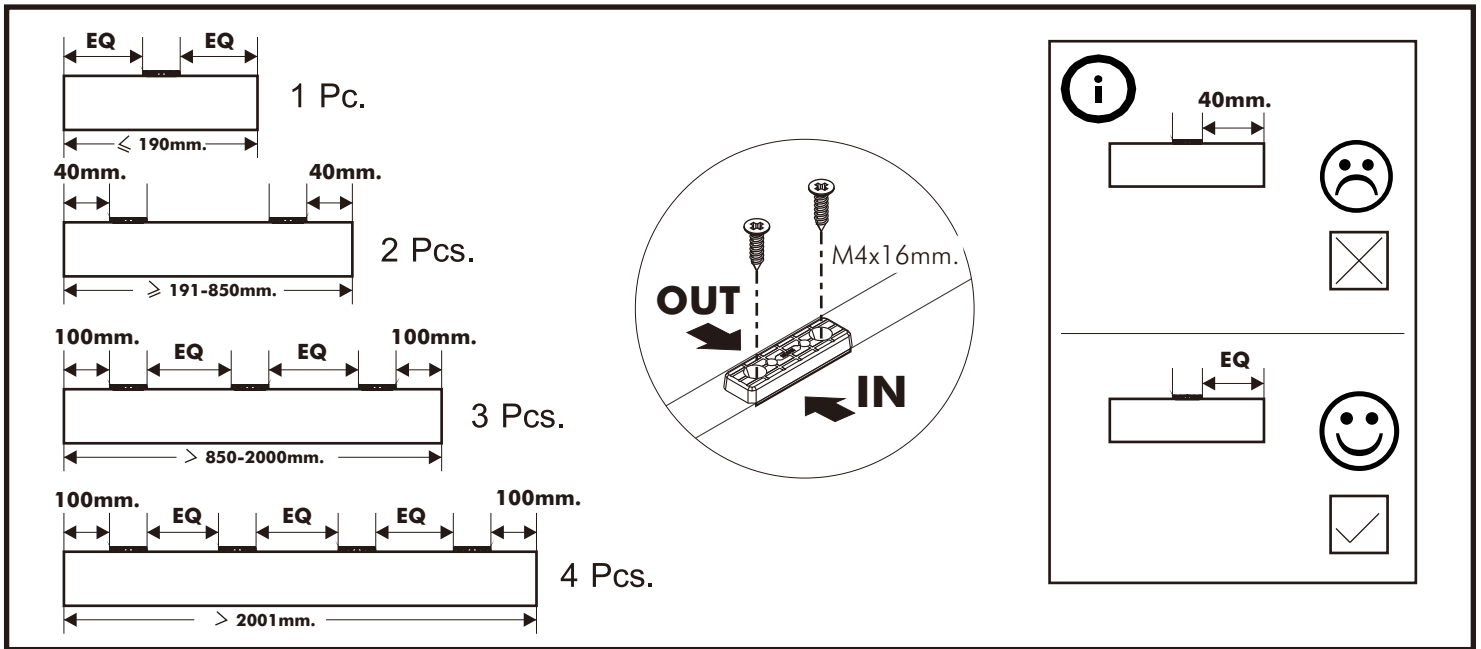
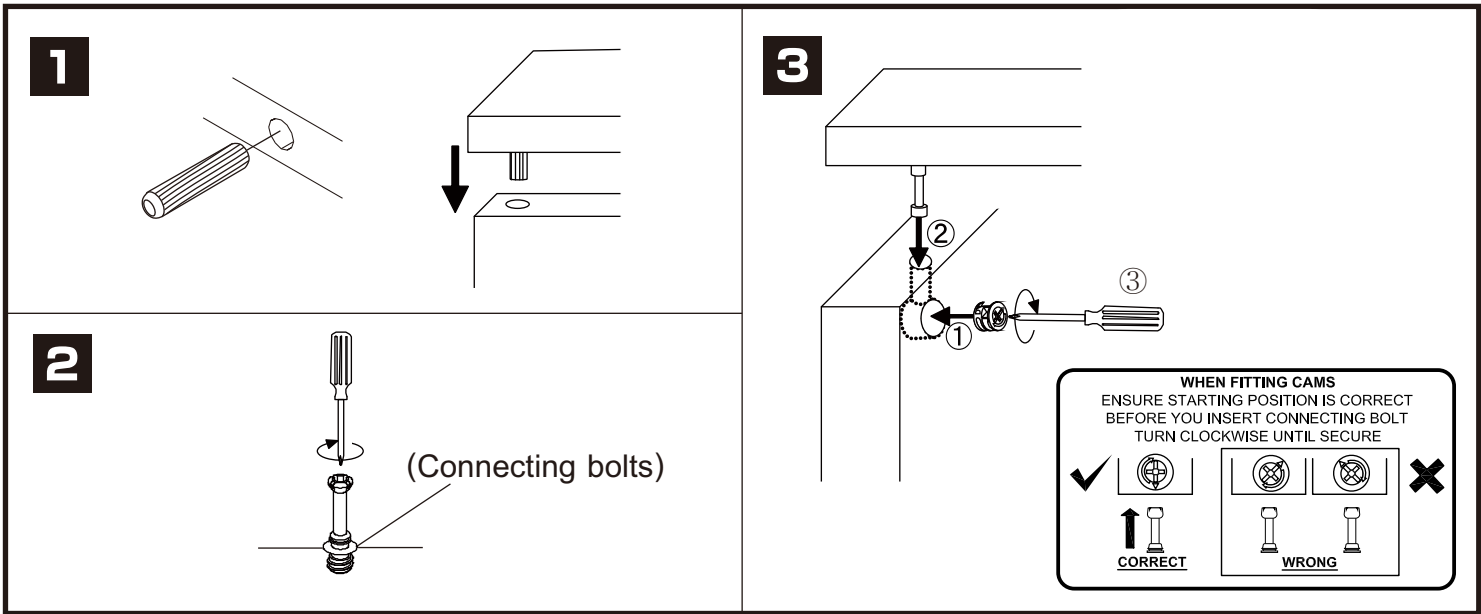


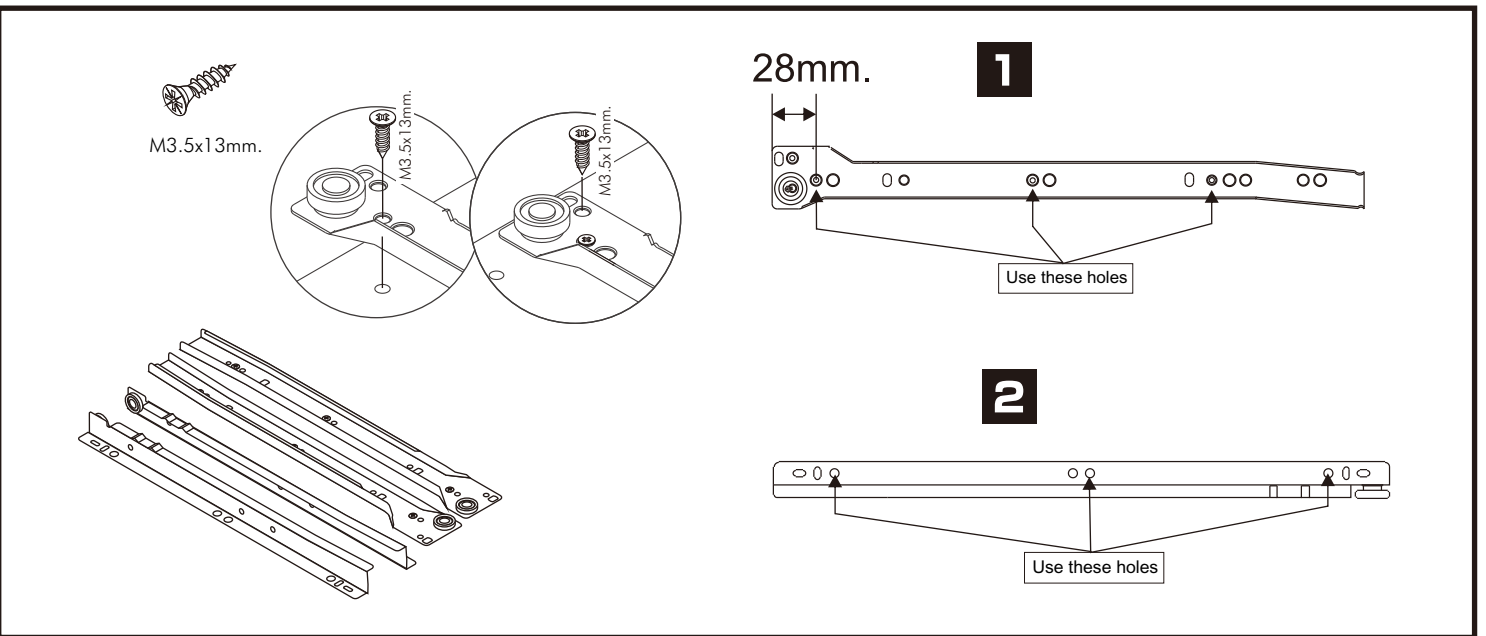
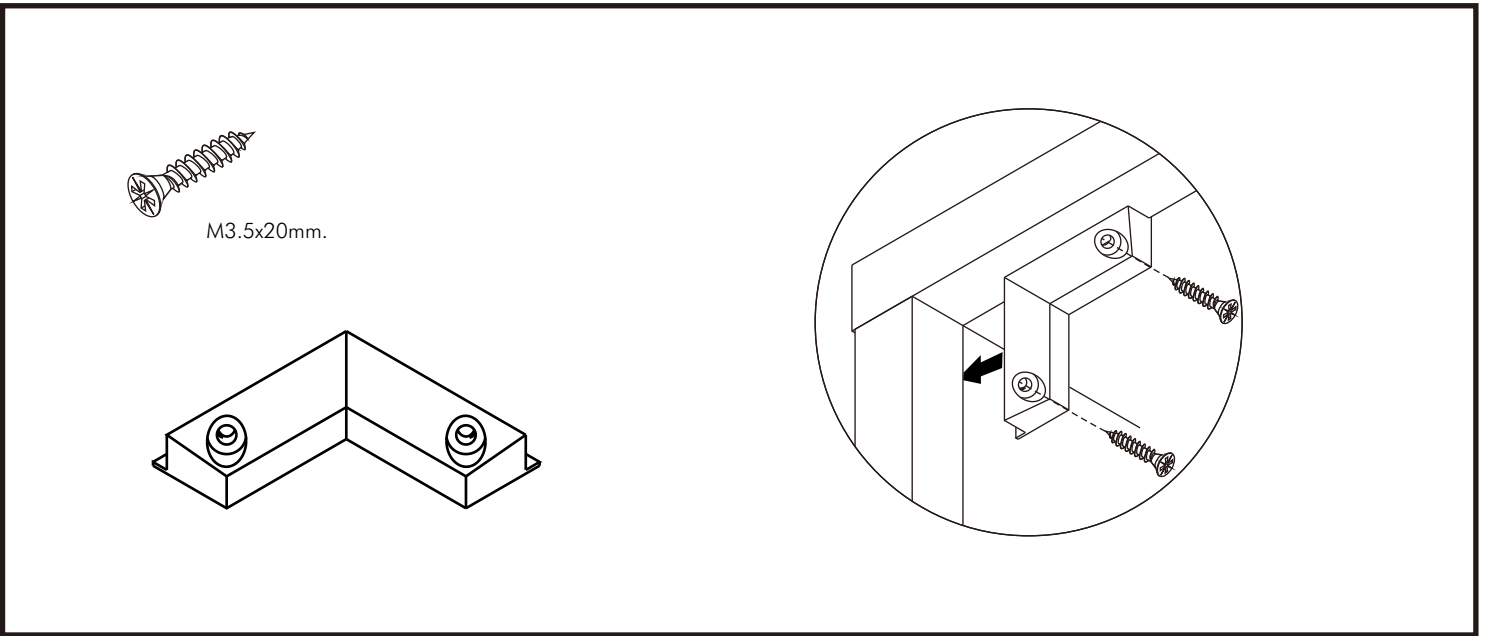
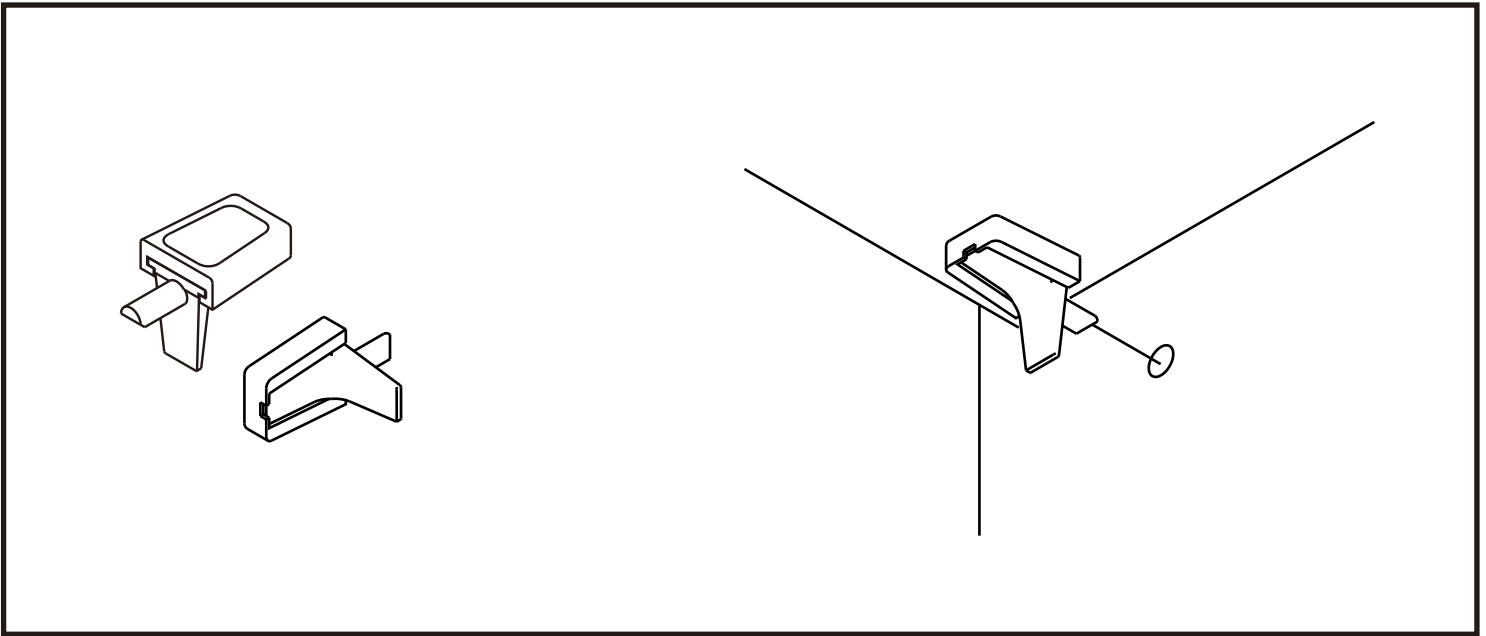
LABELLA-P

Wardrobe 4 door



CONNECT SYSTEM





x2



The Standard for identifying which mounted safety fall protection fitting to use **Note : That children's products must be installed with all anti-falling fittings.**

■ Mounted fall protection fittings



■ Category : Cabinet with open doors



■ Category : Chest of drawers



■ Category : Sliding door cabinet / Open cabinet



HARDWARE



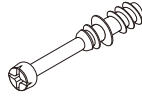
19 mm.

X 26



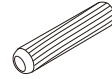
12 mm.

X 4



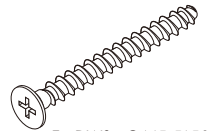
24/5 mm.

X 30



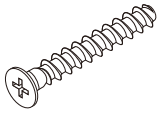
8x35mm.

X 54



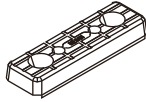
F+DWS+C M5.5*50

X 2

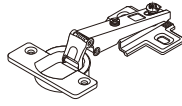


F+DWS+C M5.5*38

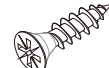
X 9



X 12

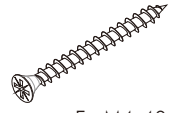


X 14



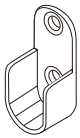
F+M4x16

X 80

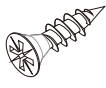


F+M4x40

X 4



X 4

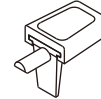


F+M3.5x13

X 36



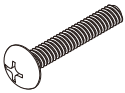
X 8



X 4



X 6



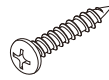
#M4x25

X 6



#M3.5x20(F)

X 4

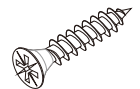


P+4x5/8"

X 28

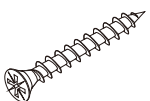


X 6



F+M3.5x25

X 18



F+M4x35

X 4



P+M4x16

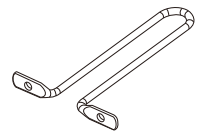
X 12



X 6



X 5



X 1

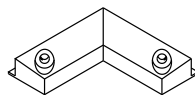


6x35mm.

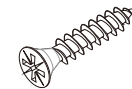
X 32



X 2 SET

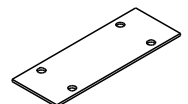


X 2

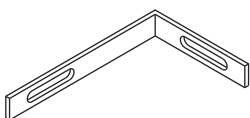


F+M4x5/8"

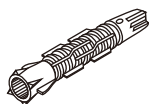
X 5



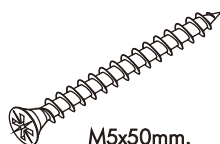
X 2



X 2

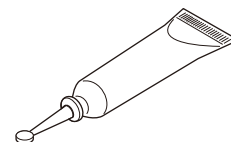


X 2



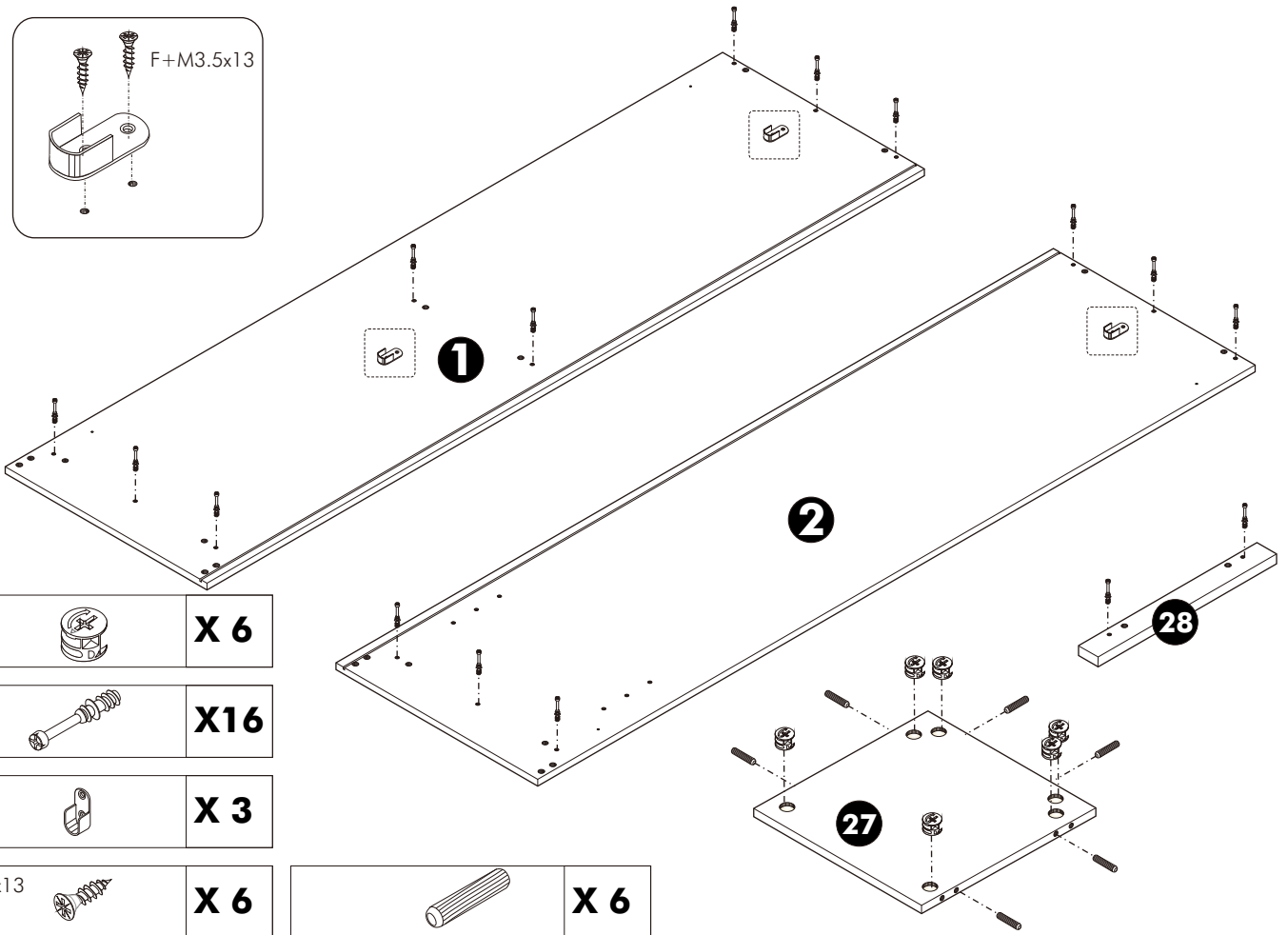
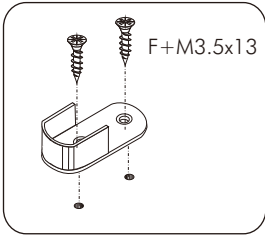
M5x50mm.

X 2



#GLUE

1.



19 mm.		X 6
--------	--	------------

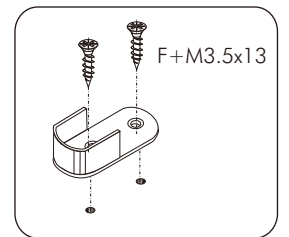
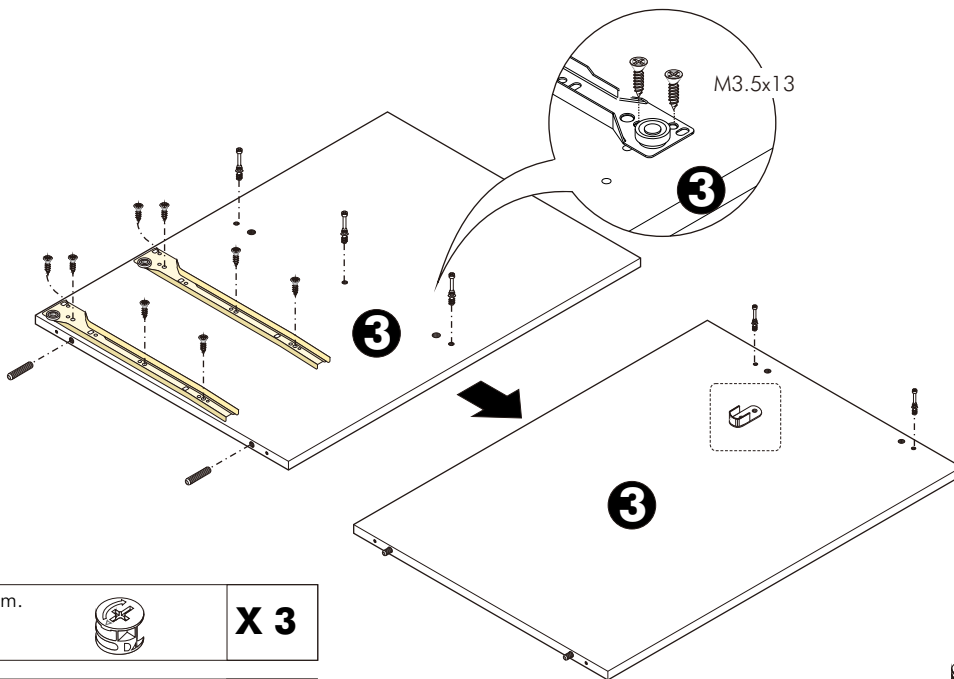
	X 16
--	-------------

	X 3
--	------------

F+M3.5x13		X 6
-----------	--	------------

	X 6
--	------------

2.



19 mm.		X 3
--------	--	------------

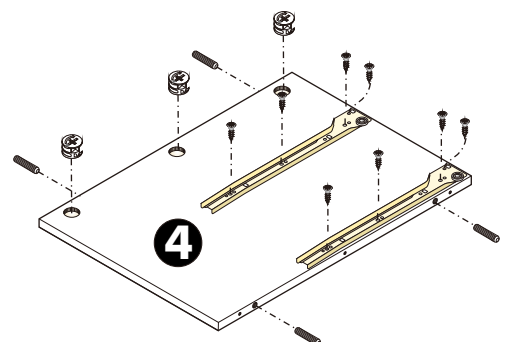
	X 5
--	------------

	X 6
--	------------

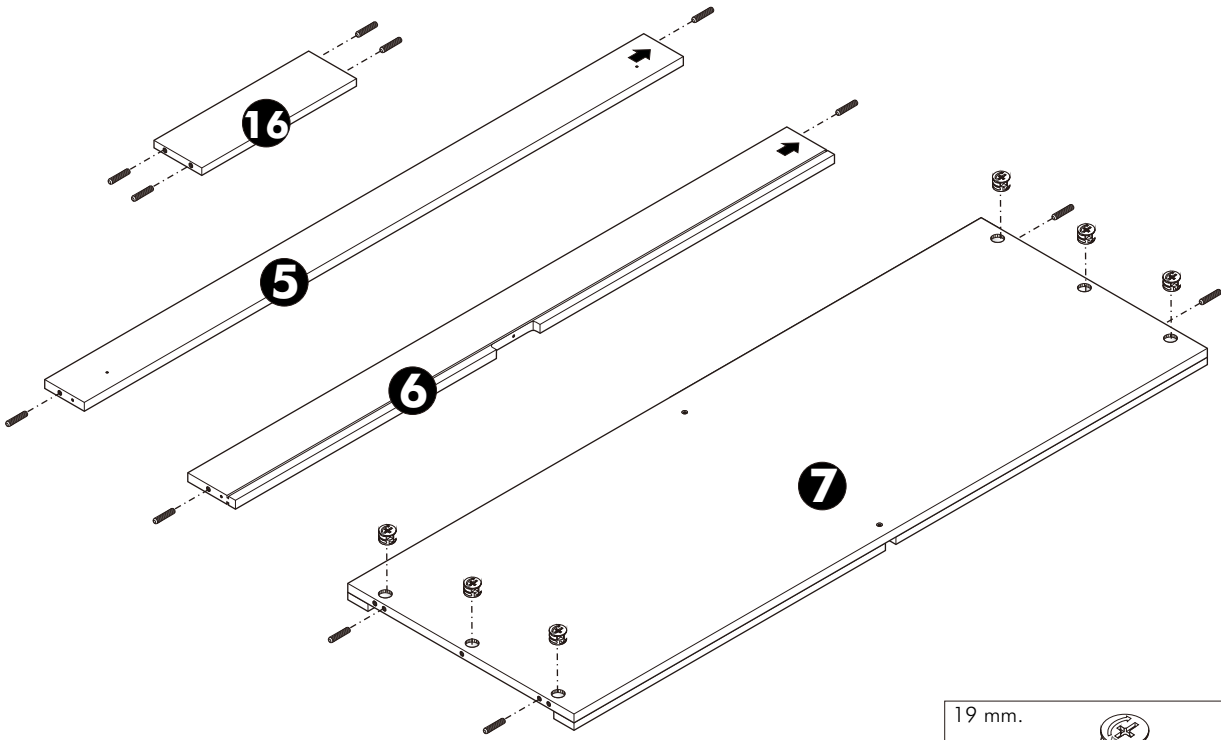
	X 1
--	------------


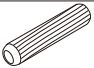
F+M3.5x13		X 18
-----------	--	-------------

	X 2SET
--	---------------

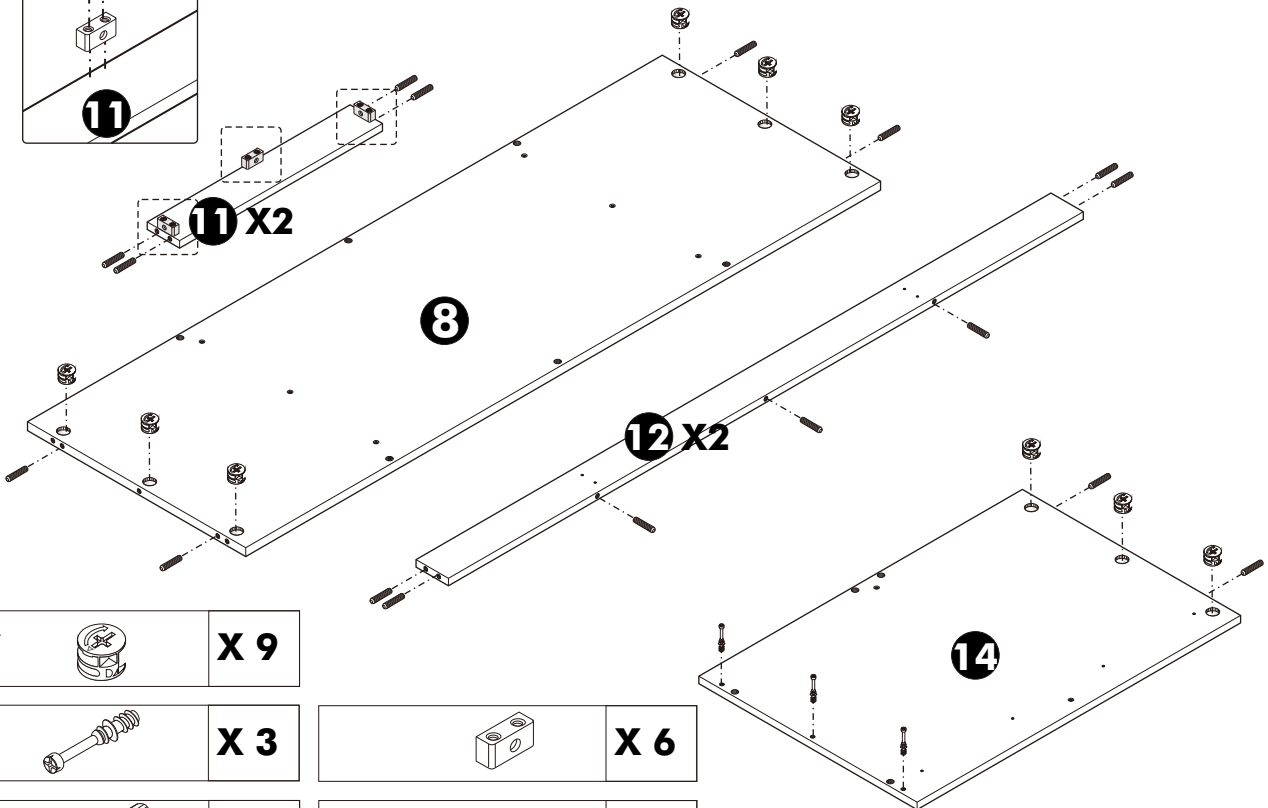
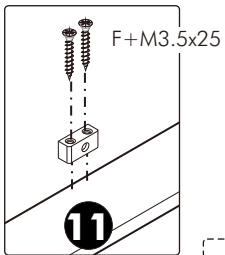


3.

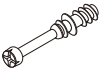


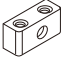
19 mm.		X 6
		X12

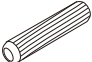
4.

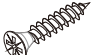


19 mm.		X 9
--------	---	------------

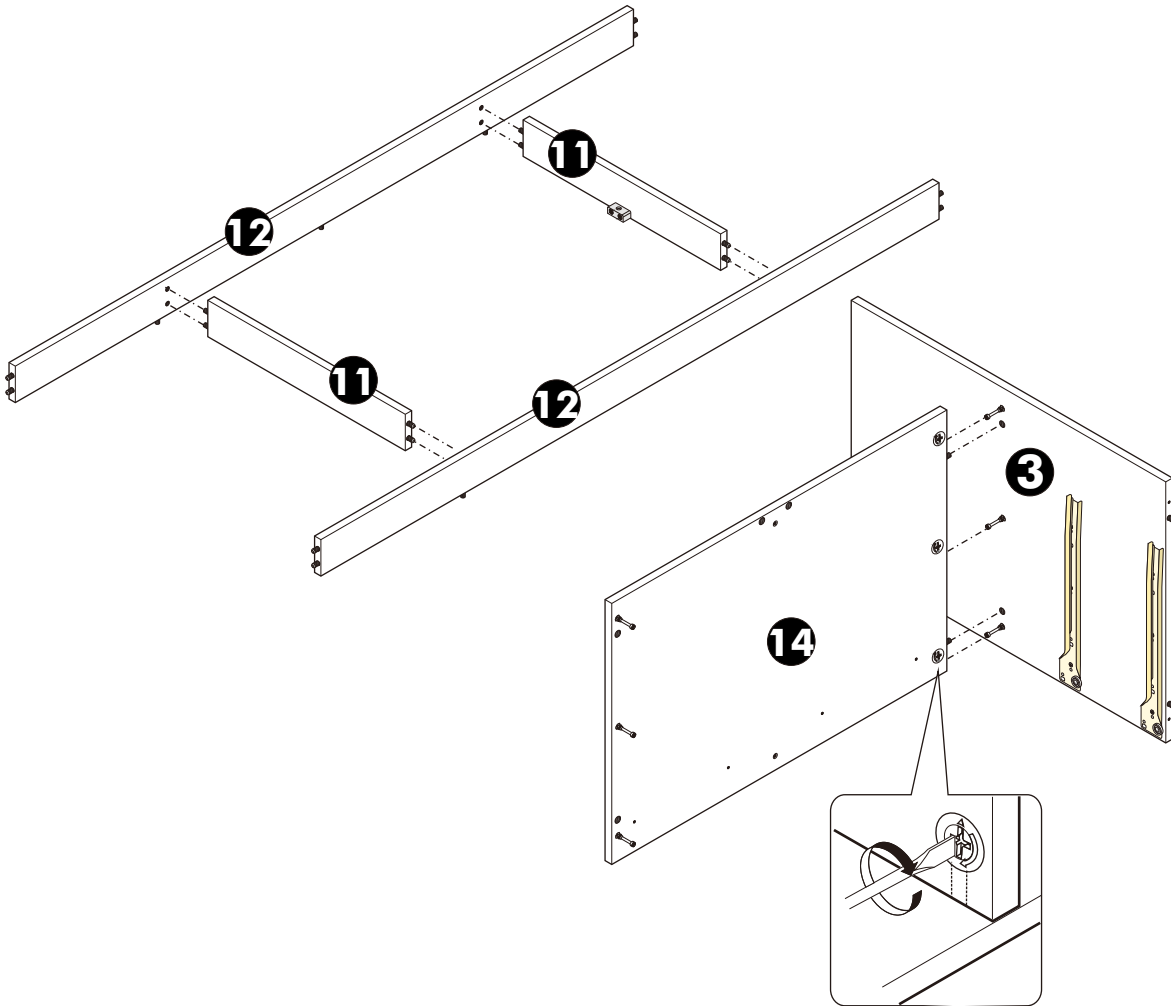
	X 3
---	------------

	X 6
---	------------

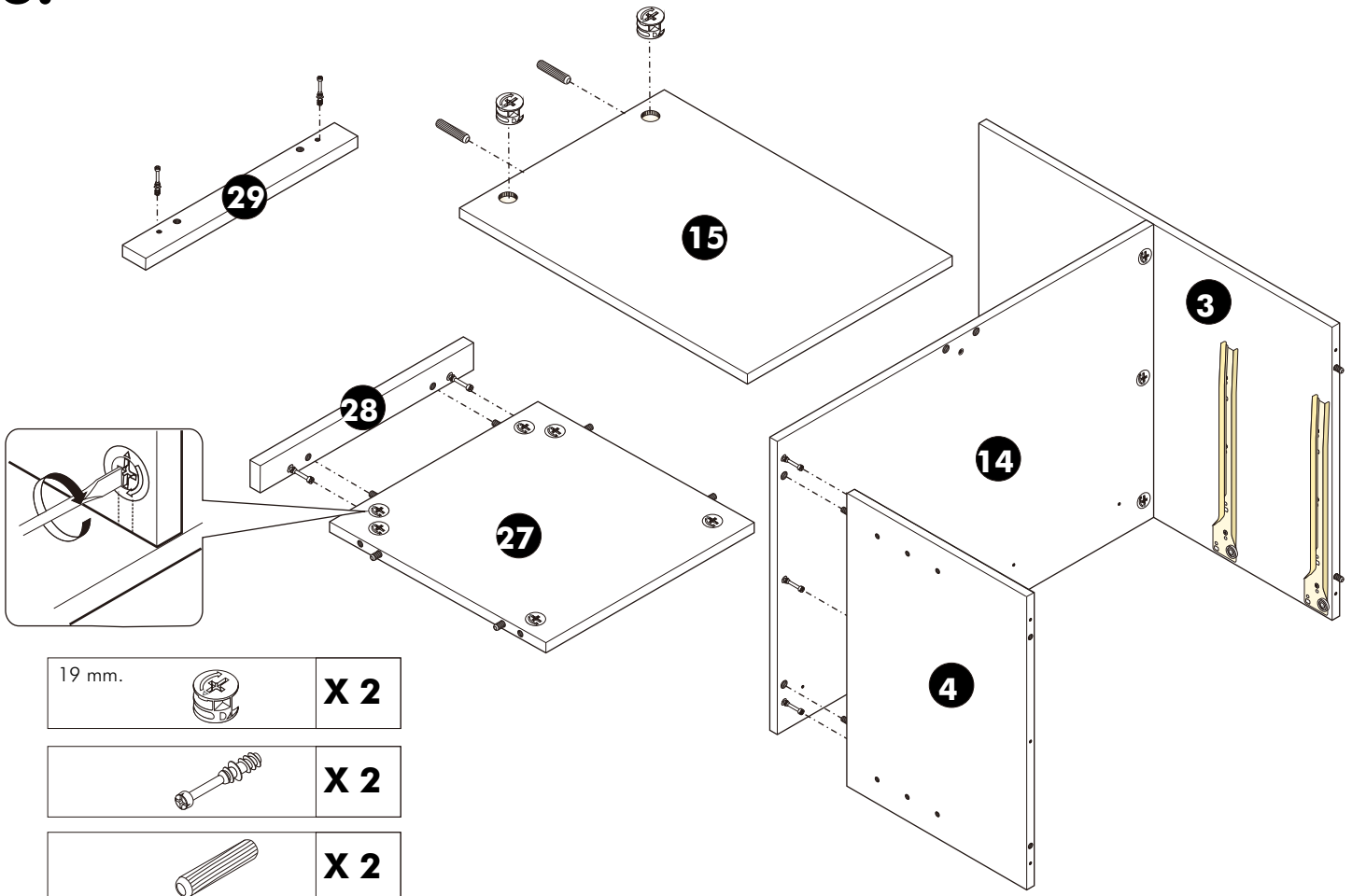
	X28
---	------------

F+M3.5x25		X12
-----------	---	------------

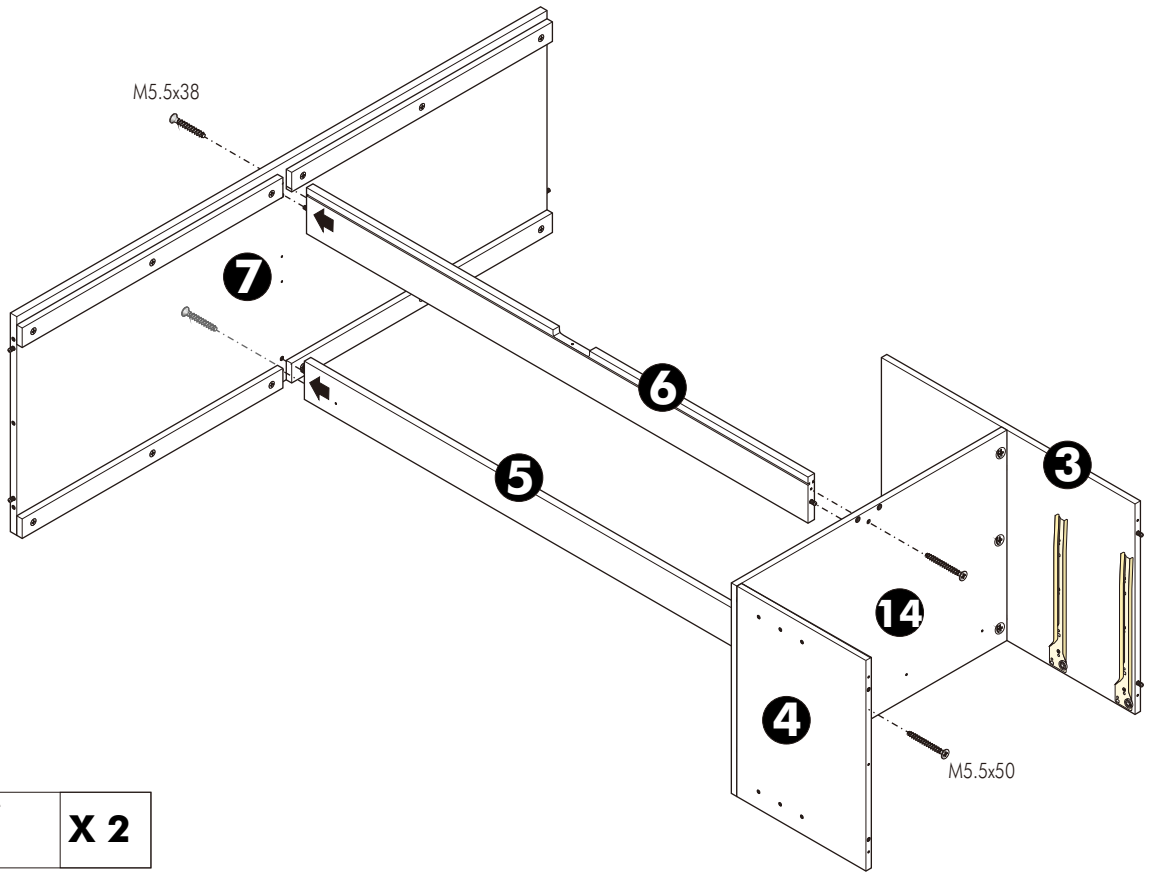
5.





6.



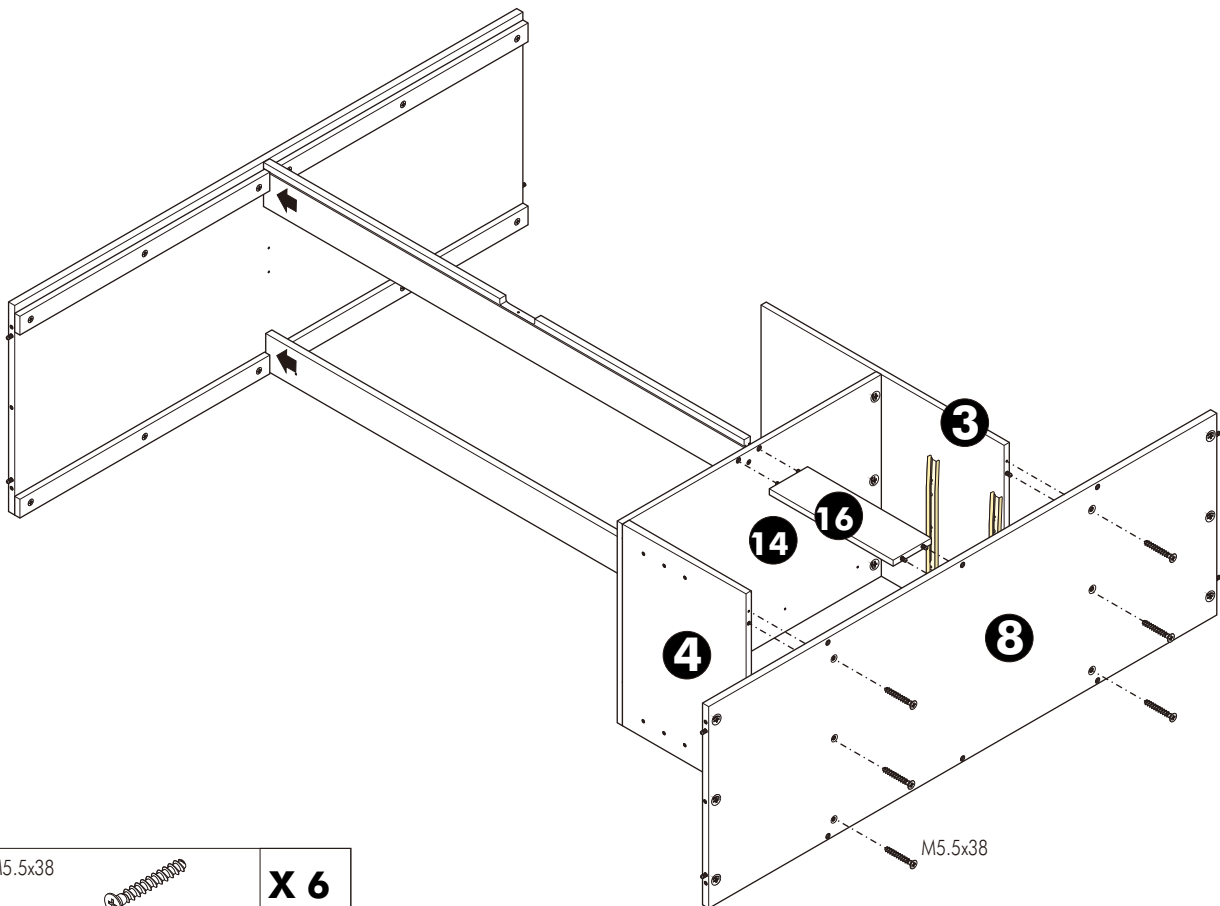
7.

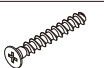


M5.5x50		X 2
---------	--	------------

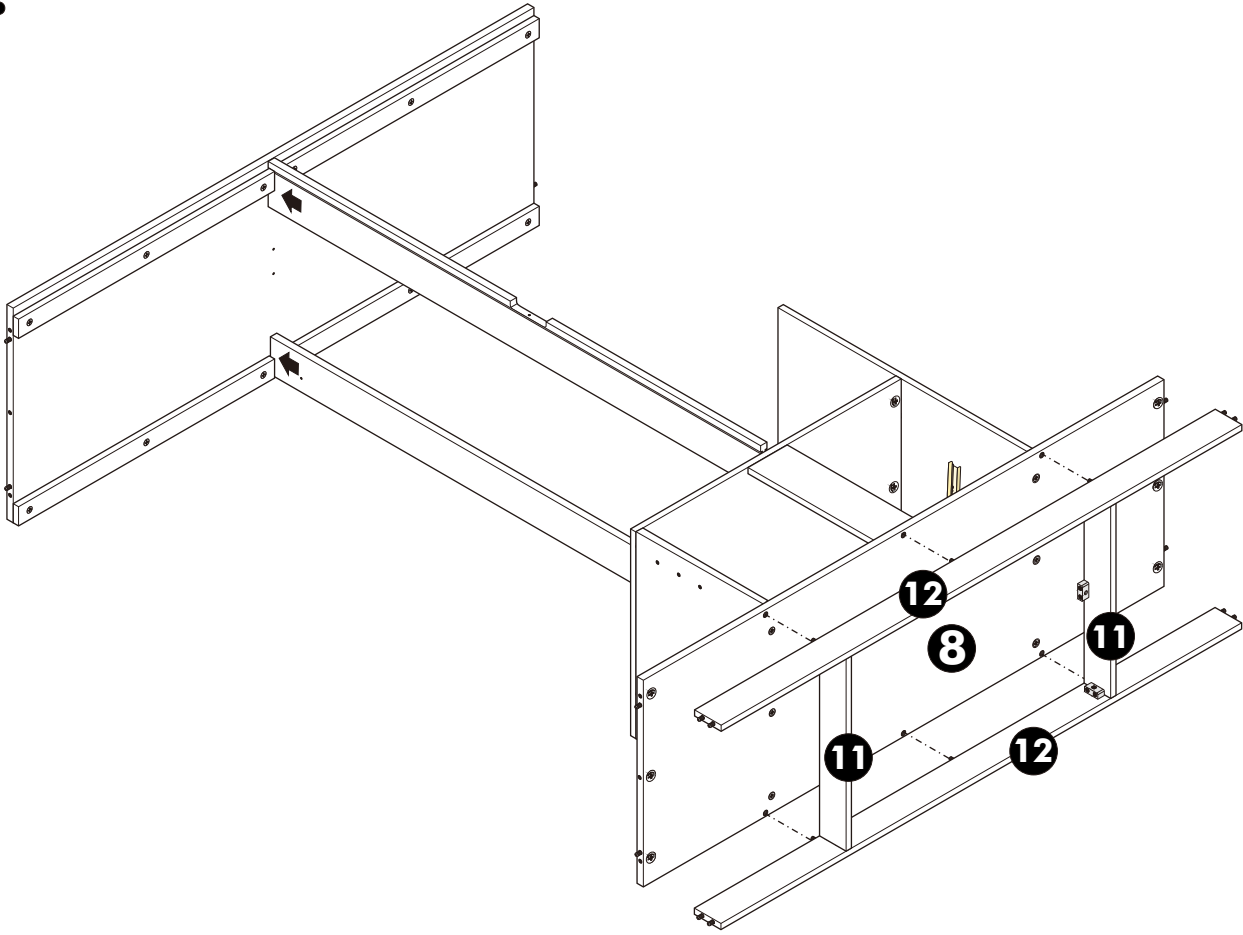
M5.5x38		X 2
---------	---	------------

8.

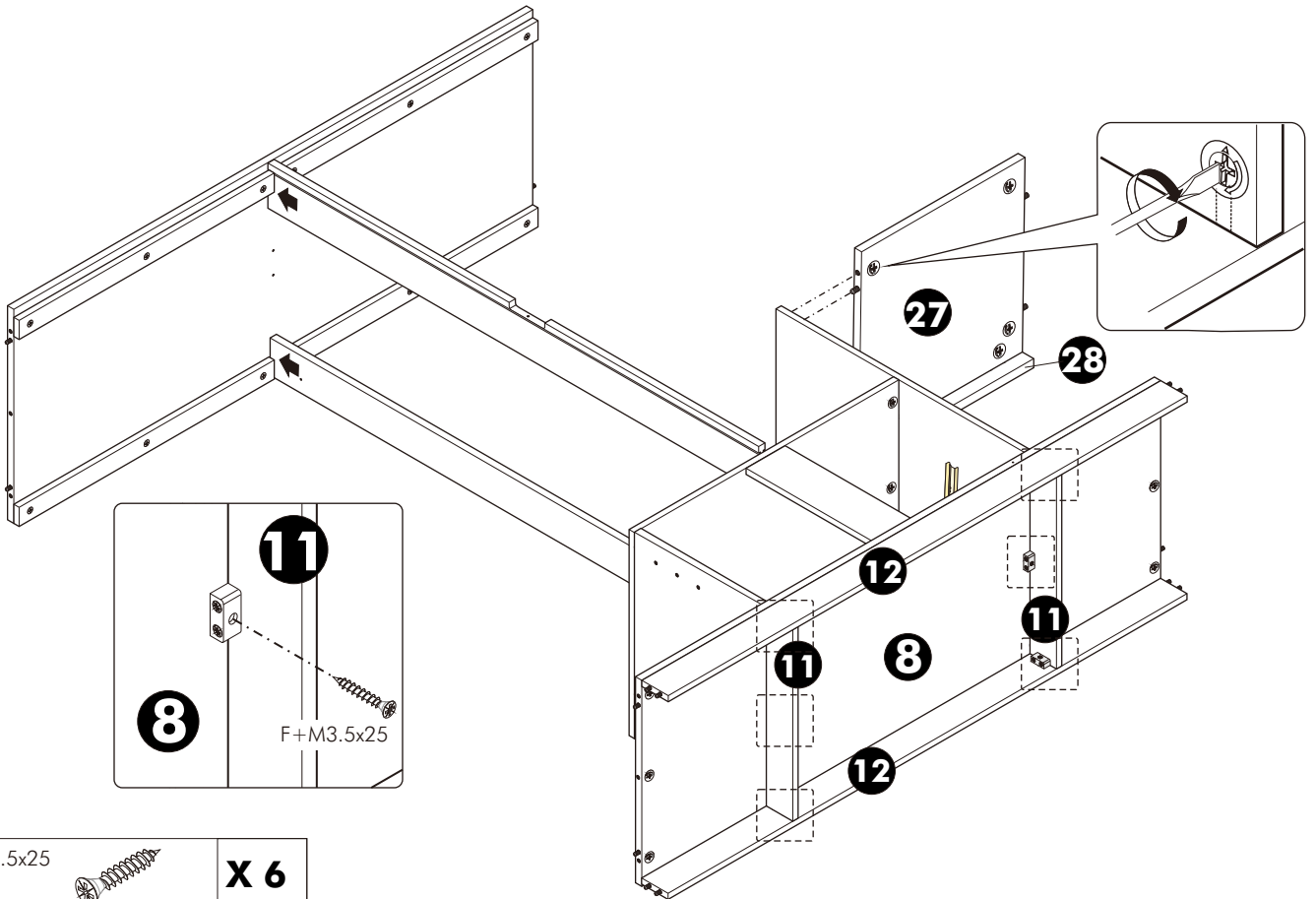


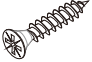
M5.5x38		X 6
---------	---	------------

9.

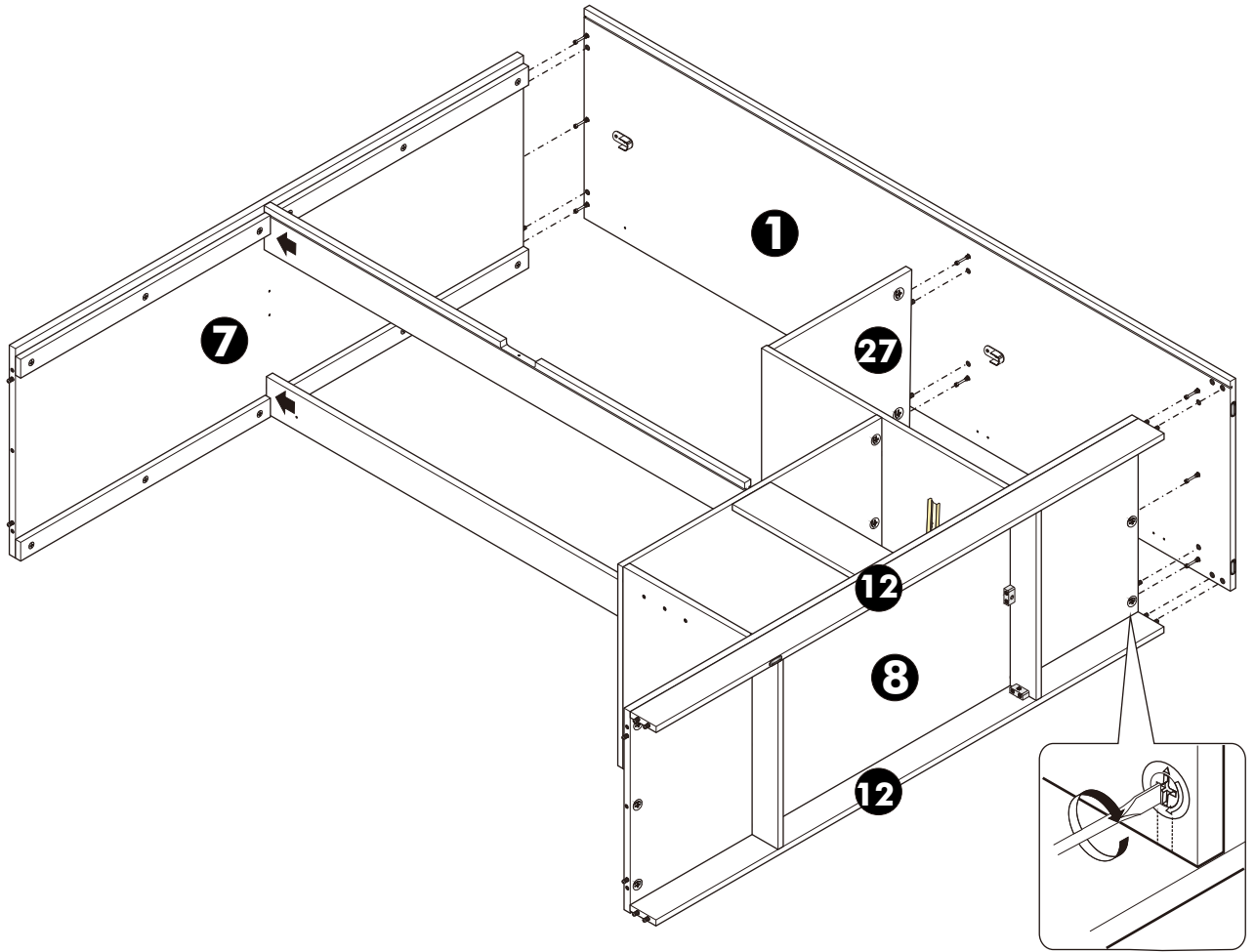


10.

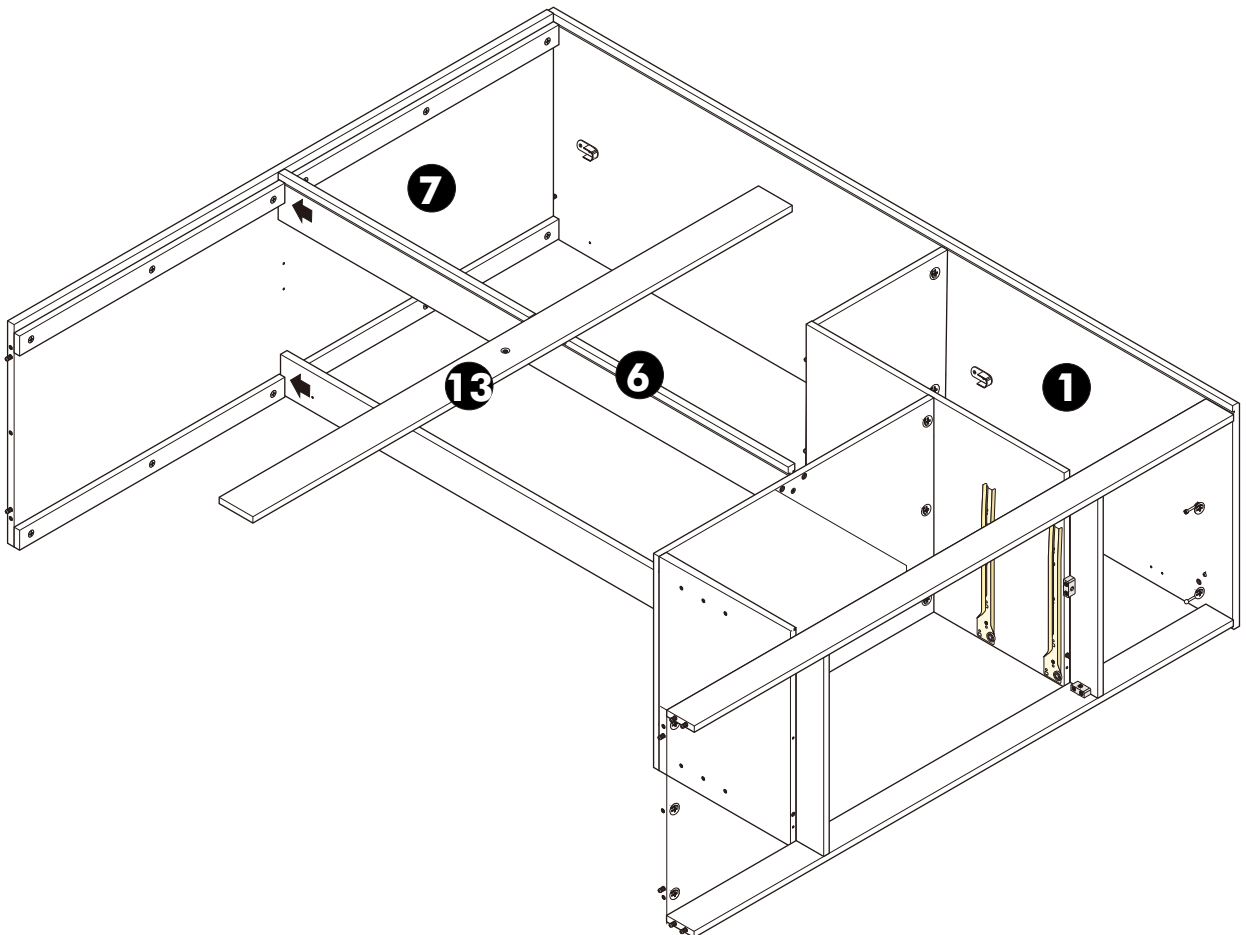


F+M3.5x25  X 6

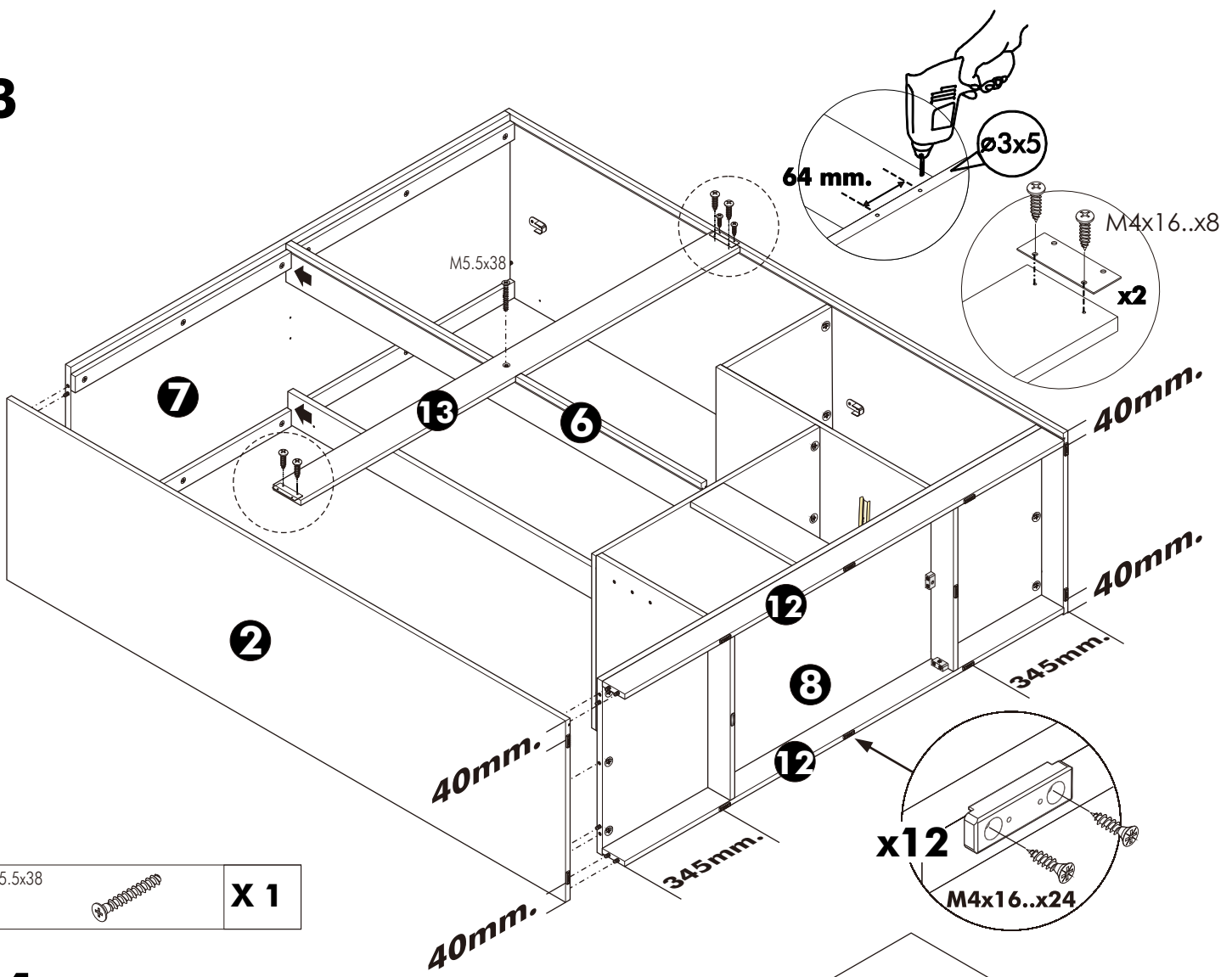
11.

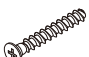


12.

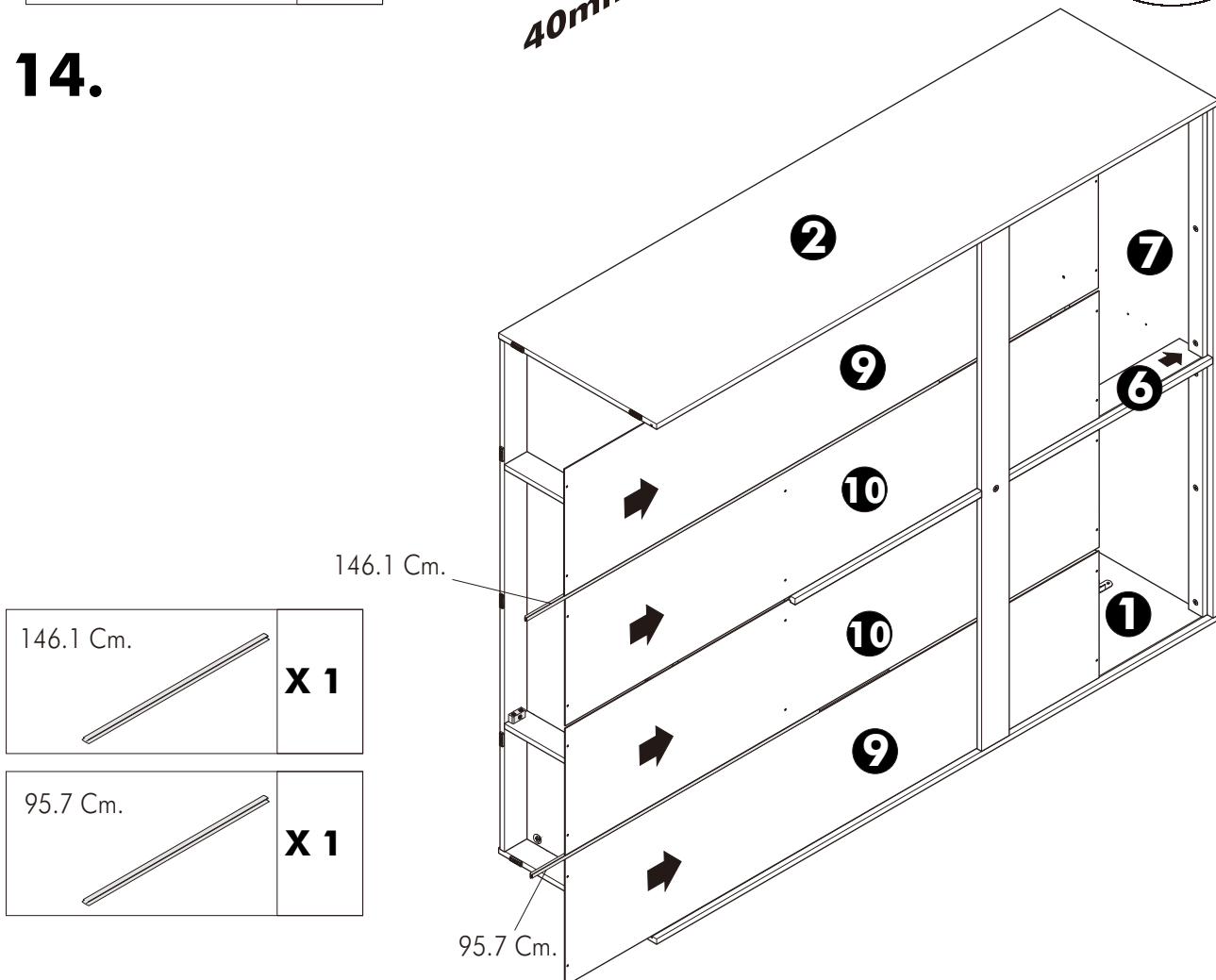


13

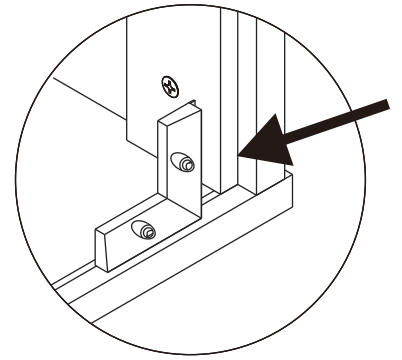
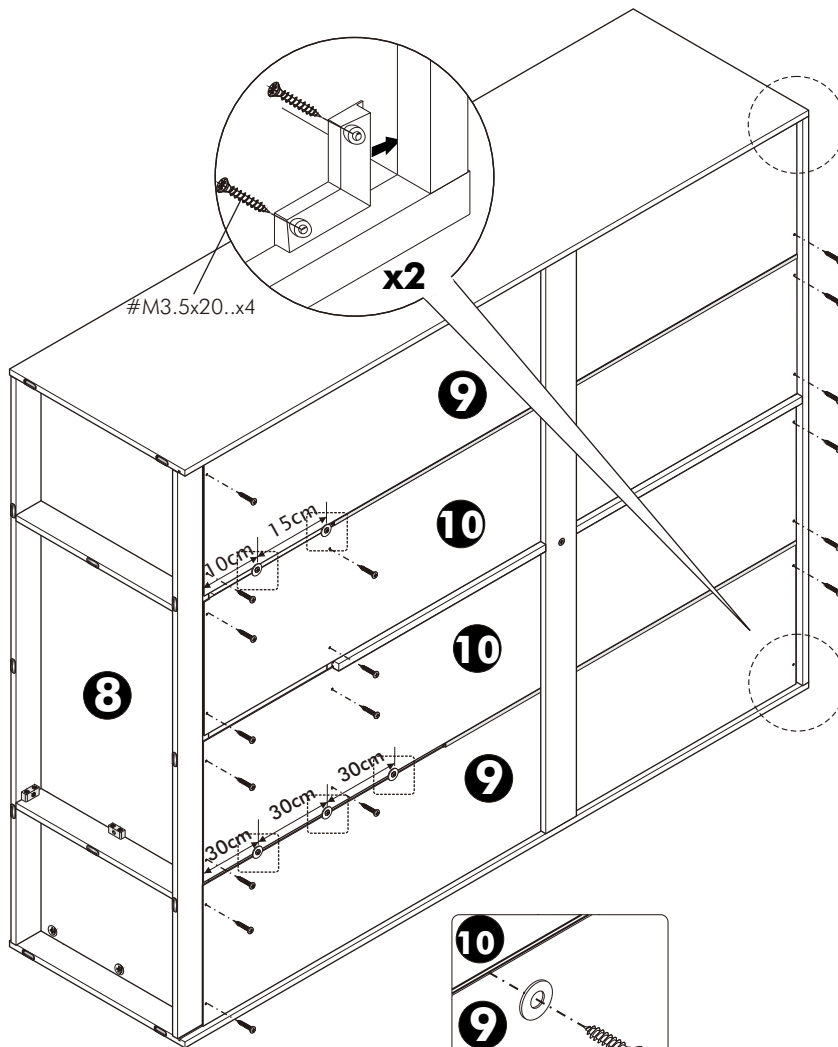


M5.5x38		X 1
---------	---	------------

14.



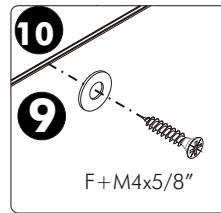
15.



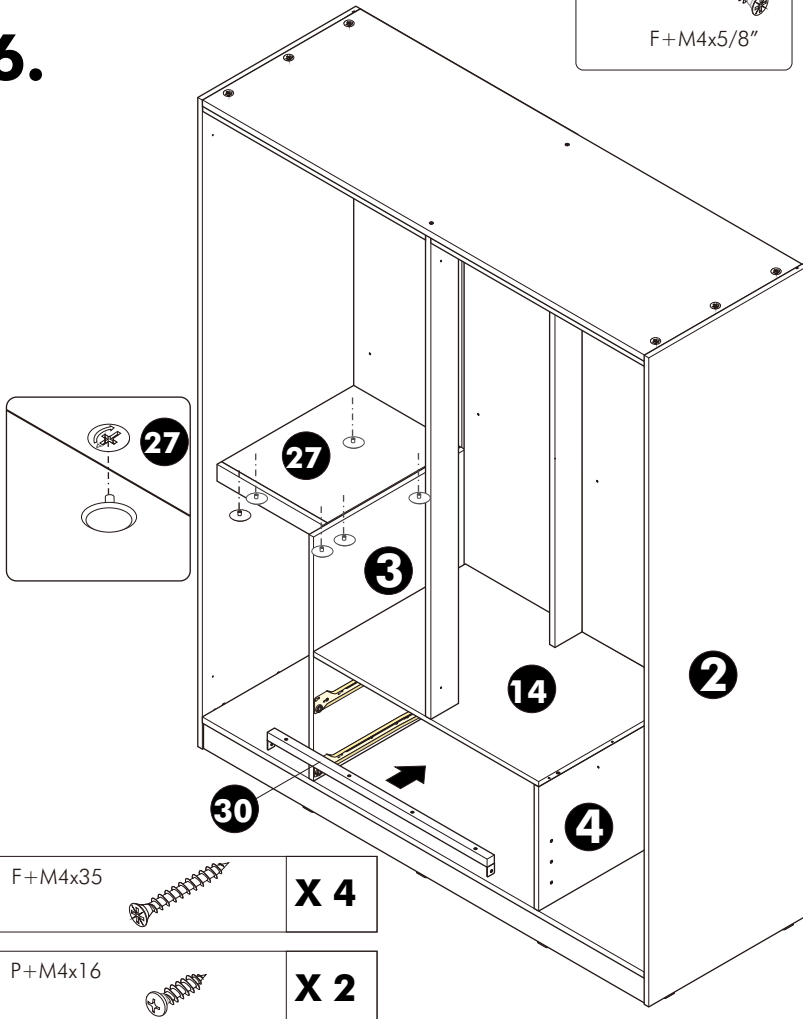
F+M4x5/8"		X 5
-----------	--	------------

		X 5
--	--	------------

P+4x5/8"		X 18
----------	--	-------------

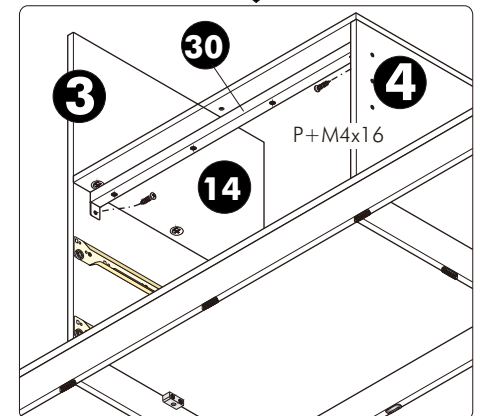
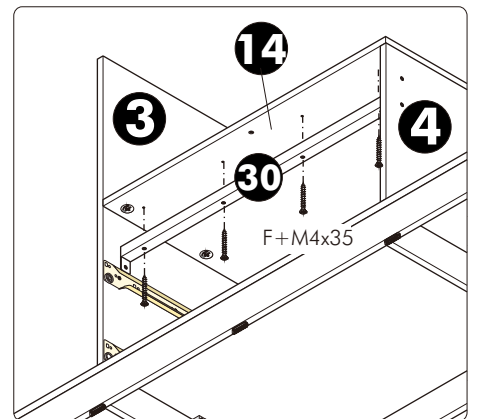


16.



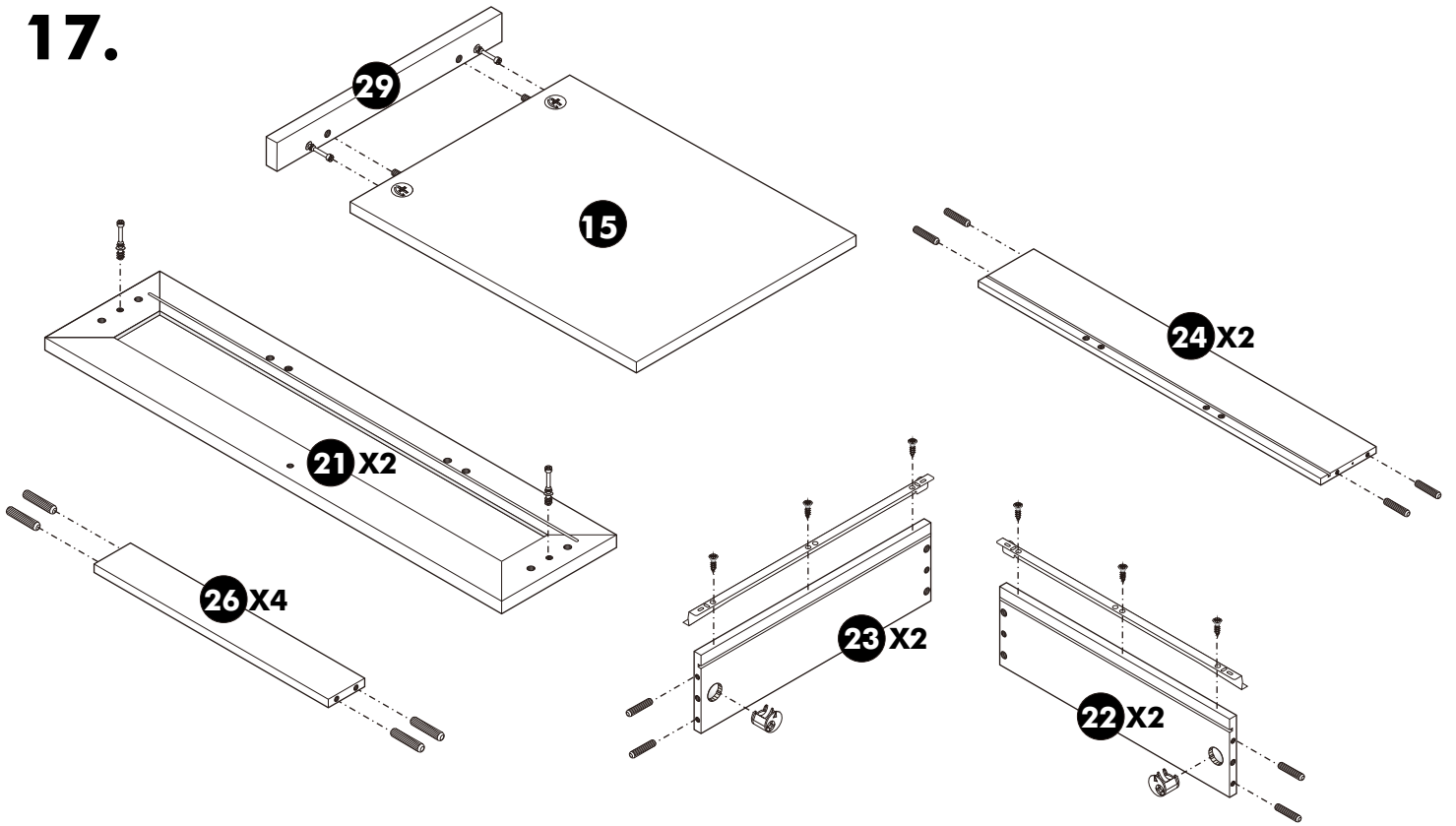
F+M4x35		X 4
---------	--	------------

P+M4x16		X 2
---------	--	------------



		X 6
--	--	------------

17.



12 mm.		X 4
--------	--	------------

F+M3.5x13		X 12
-----------	--	-------------

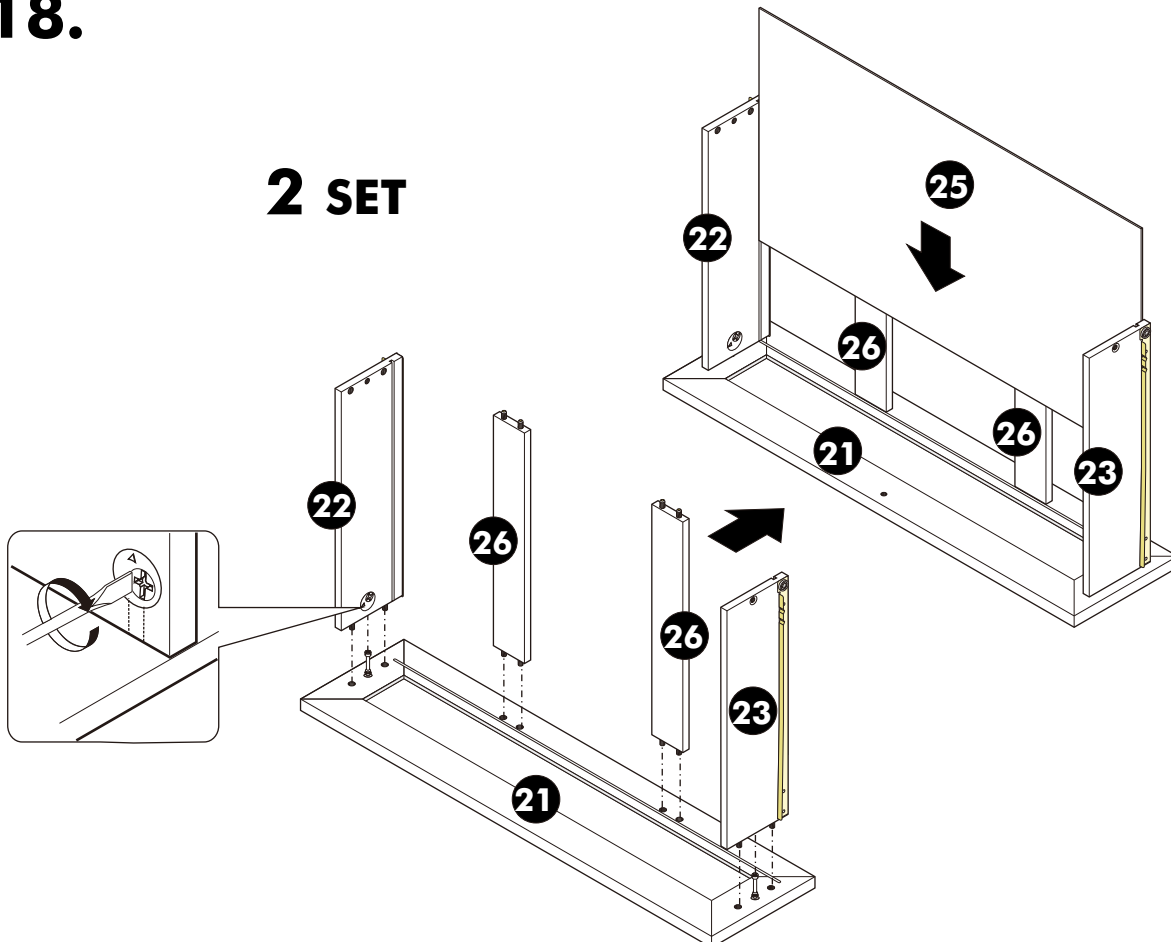
		X 4
--	--	------------

6x35mm.		X32
---------	--	------------

		X 2SET
--	--	---------------

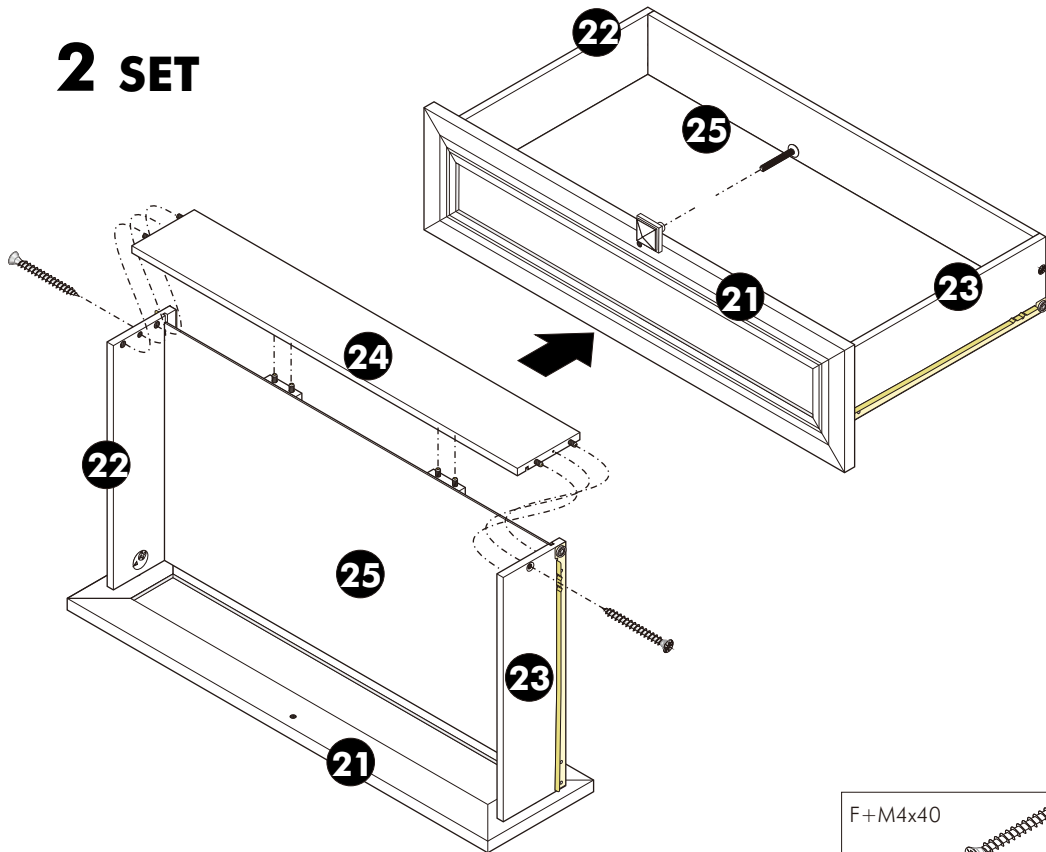
18.

2 SET





19.

2 SET

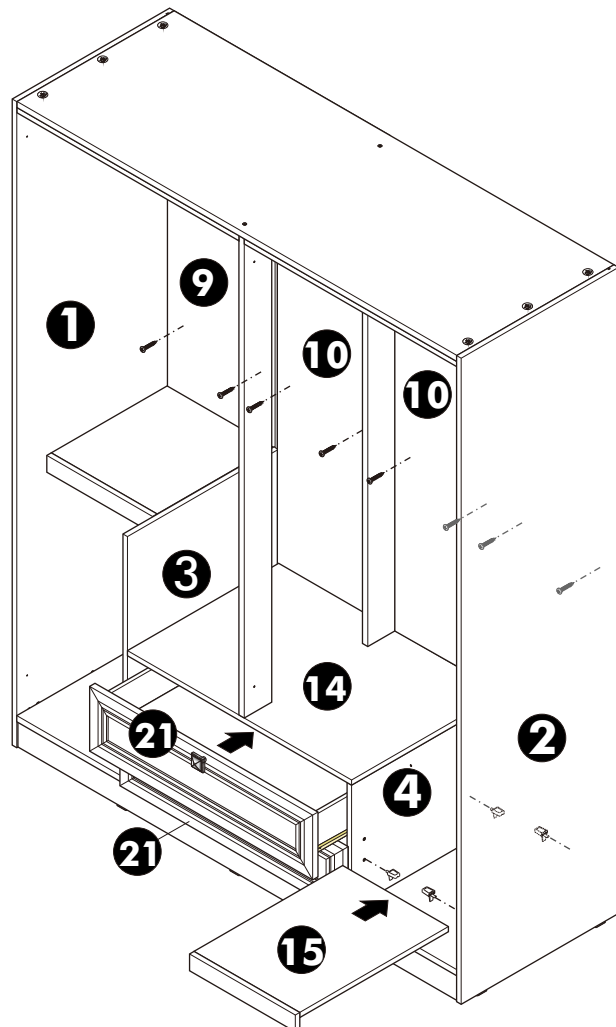
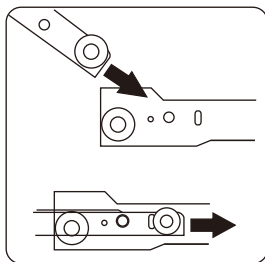



F+M4x40		X 4
---------	---	------------


P+M4x25		X 2
---------	---	------------

	X 2
---	------------

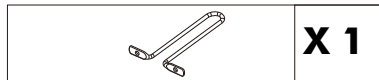
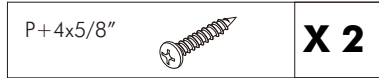
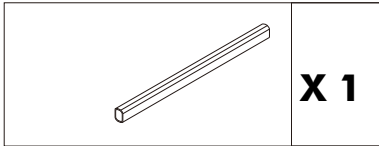
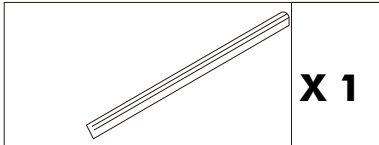
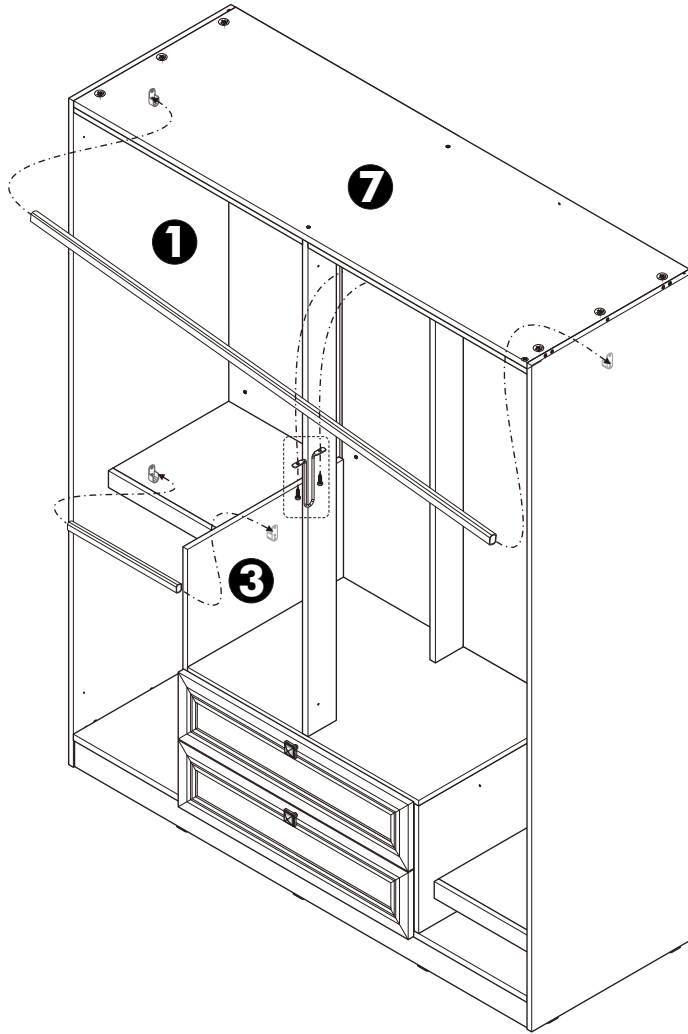
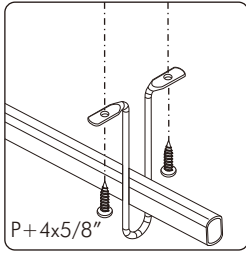
20.



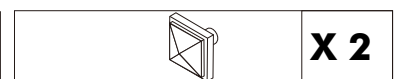
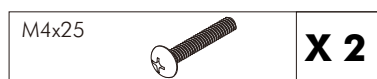
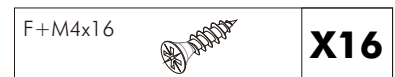
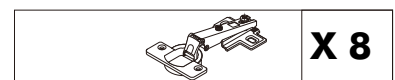
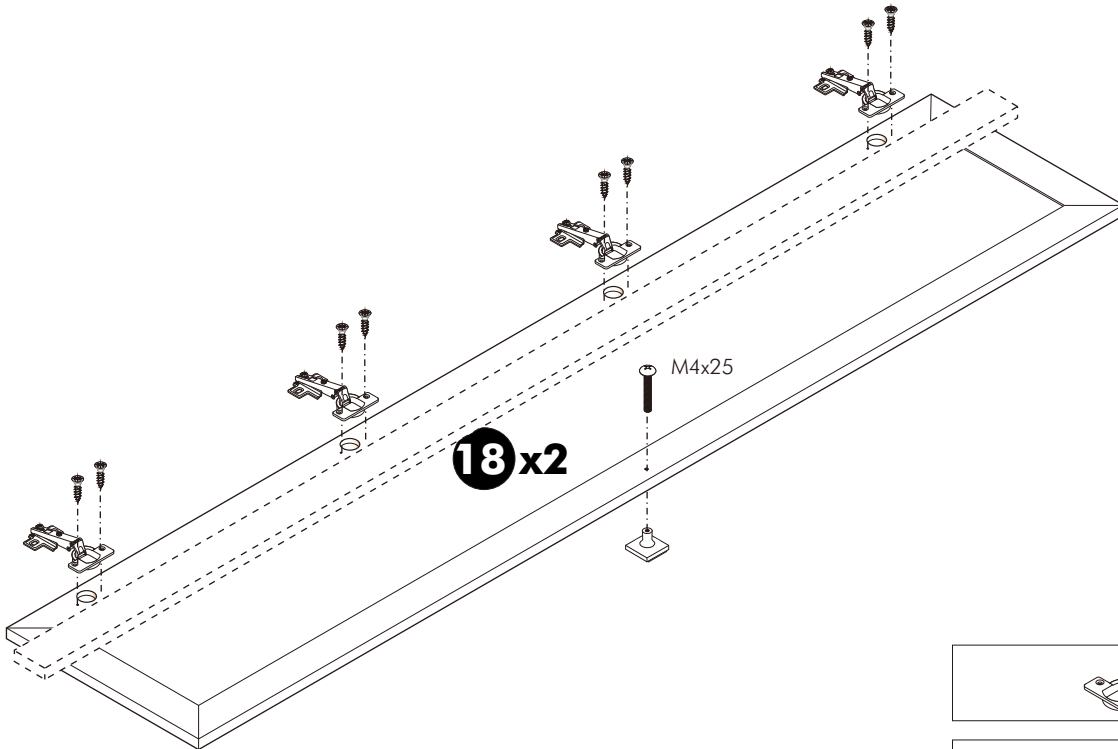
	X 4
---	------------

P+4x5/8"		X 8
----------	---	------------

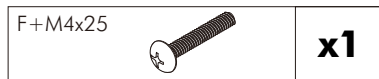
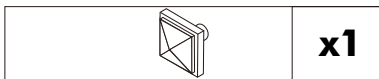
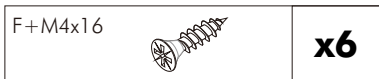
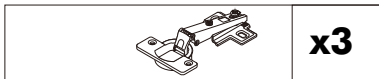
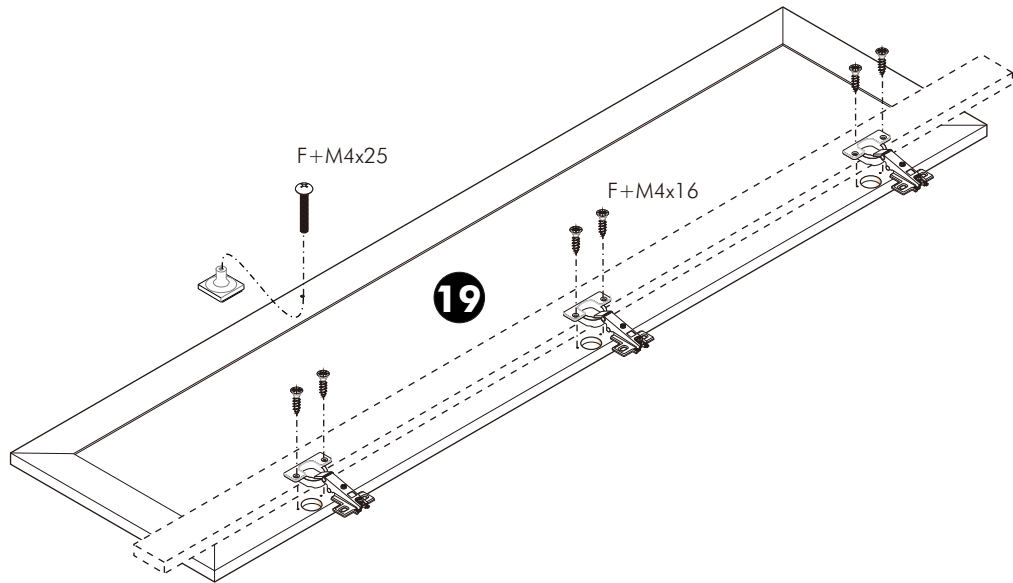
21.



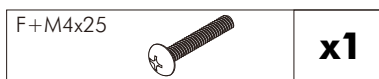
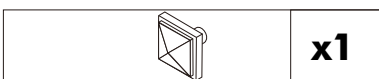
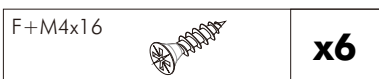
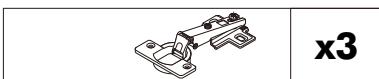
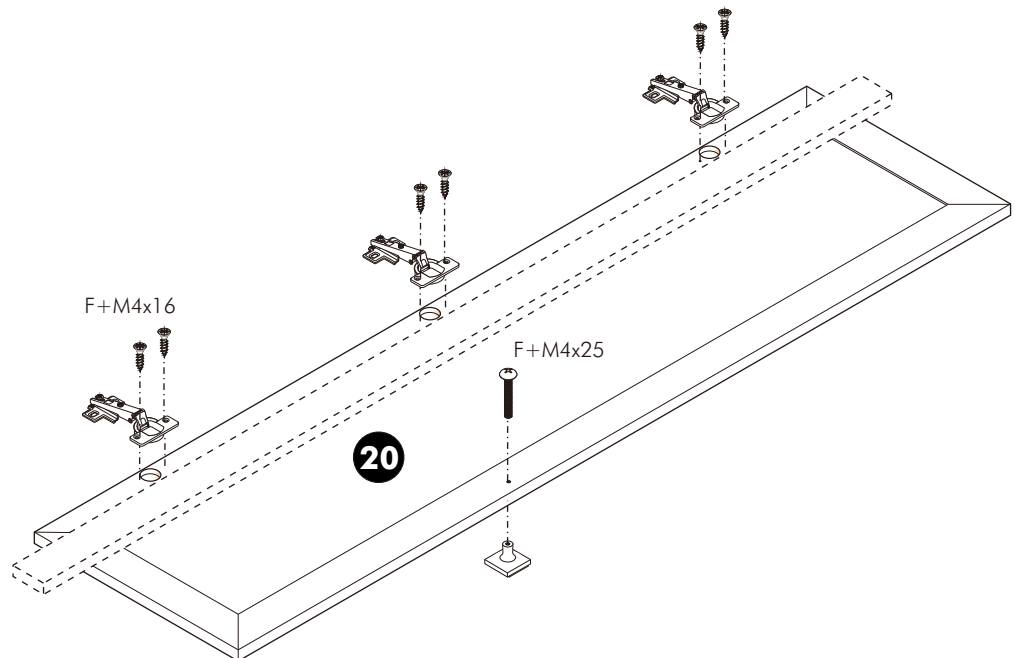
22.



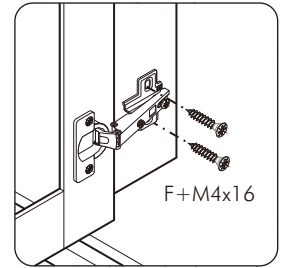
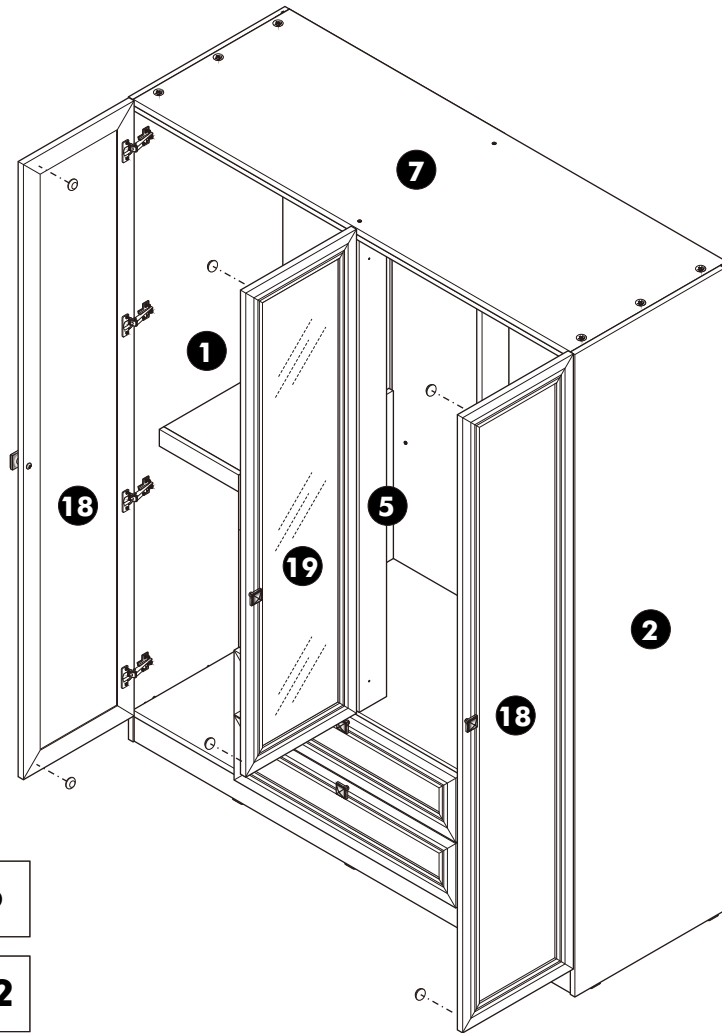
23.





24.

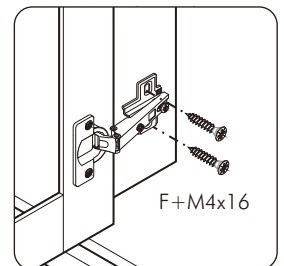
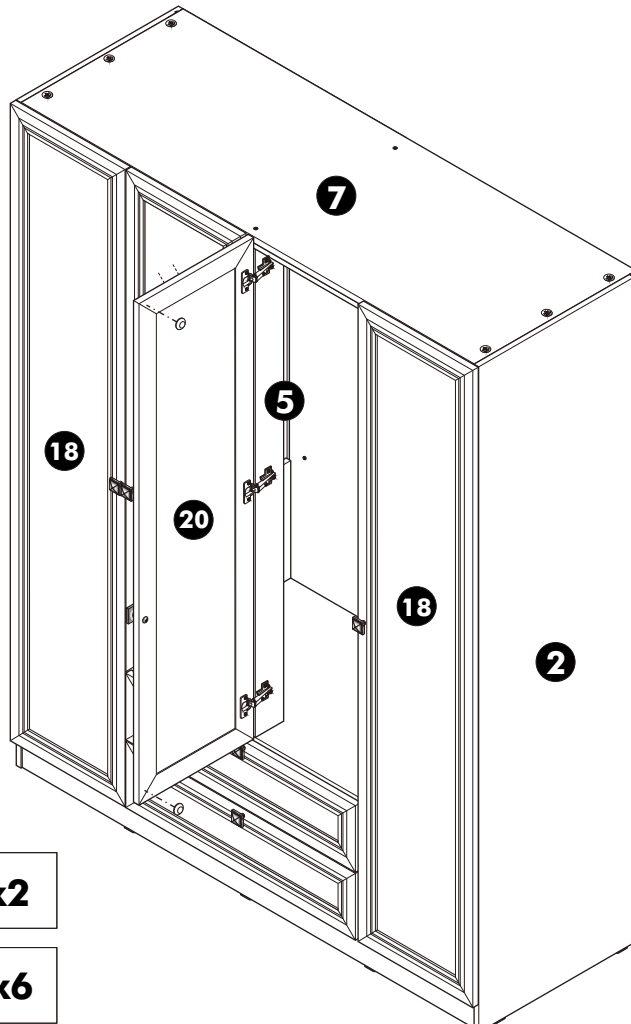



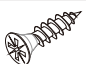
25.



	x6
F+M4x16 	x22

26.



	x2
F+M4x16 	x6