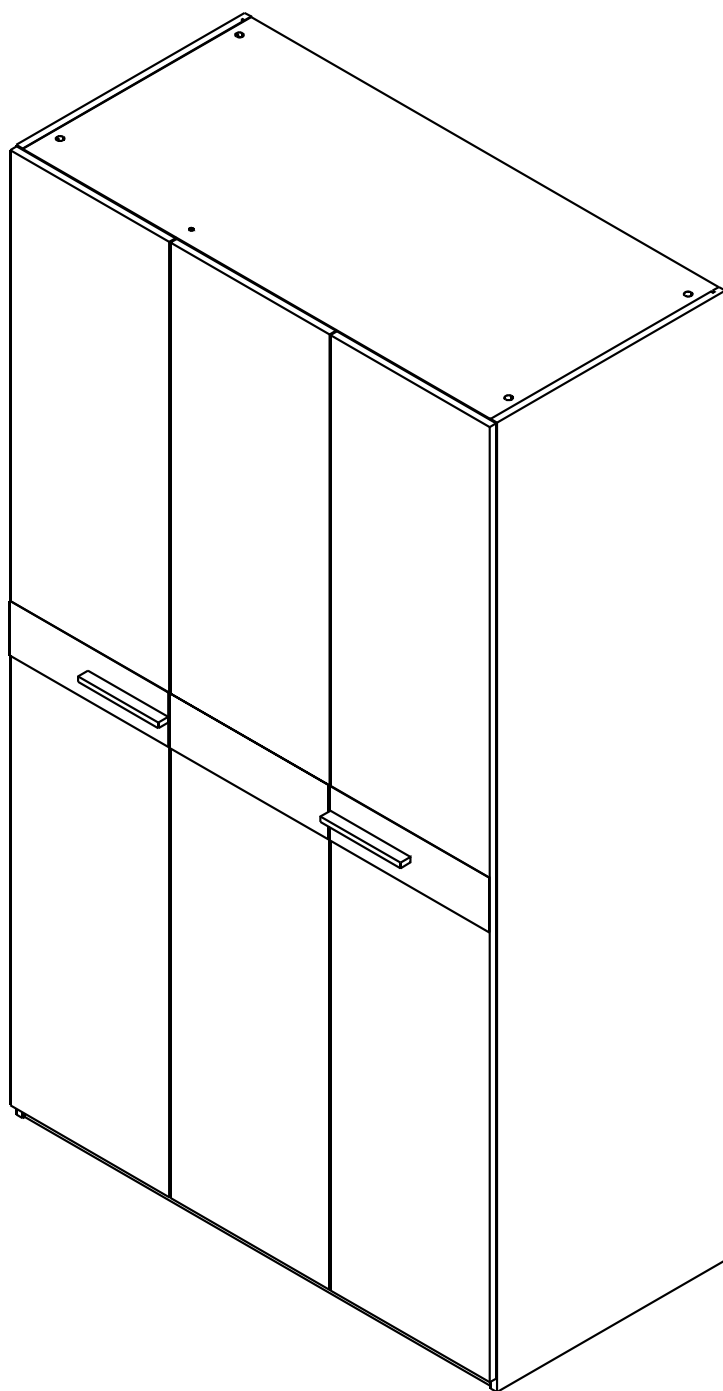


ORGANO-P

Wardrobe 3 drs



CONNECT SYSTEM

1

3

2

(Connecting bolts)

WHEN FITTING CAMS
ENSURE STARTING POSITION IS CORRECT
BEFORE YOU INSERT CONNECTING BOLT
TURN CLOCKWISE UNTIL SECURE

✓
↑
CORRECT

✗

✗

✗

1 Pc. EQ EQ ≤ 190mm.

40mm. 40mm. 2 Pcs. ≥ 191-850mm.

100mm. EQ EQ 100mm. 3 Pcs. > 850-2000mm.

100mm. EQ EQ EQ 100mm. 4 Pcs. > 2001mm.

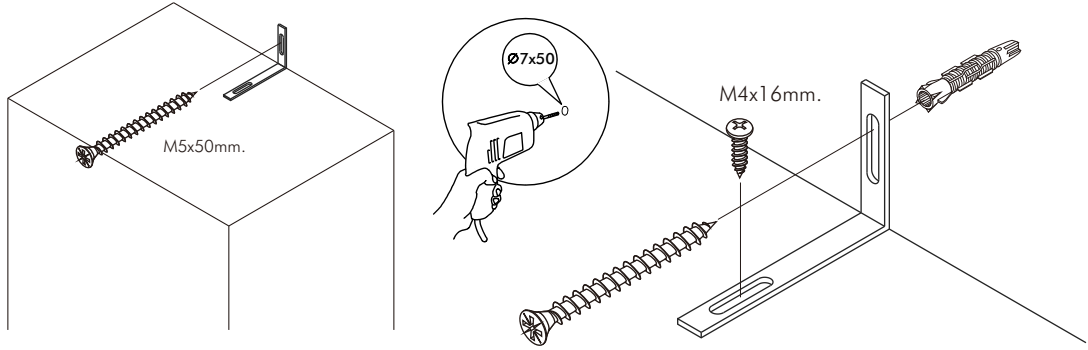
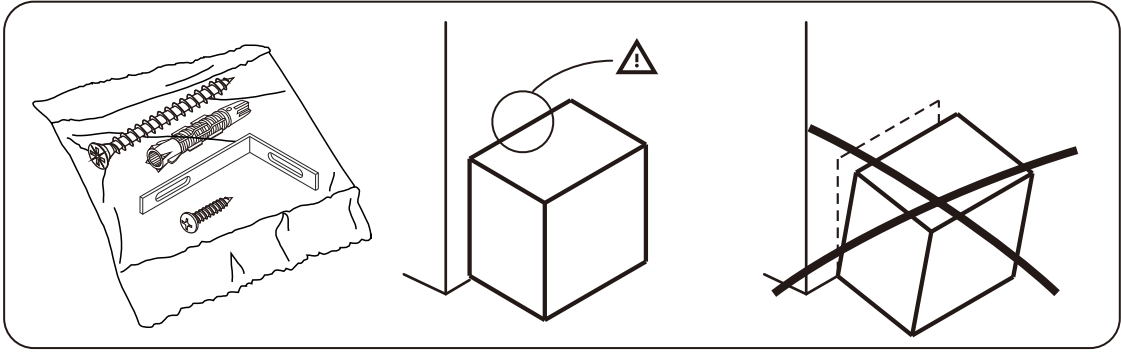
i

40mm.

EQ

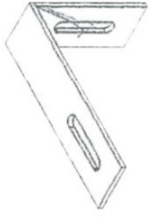
OUT **IN** M4x16mm.

M3.5x20mm.

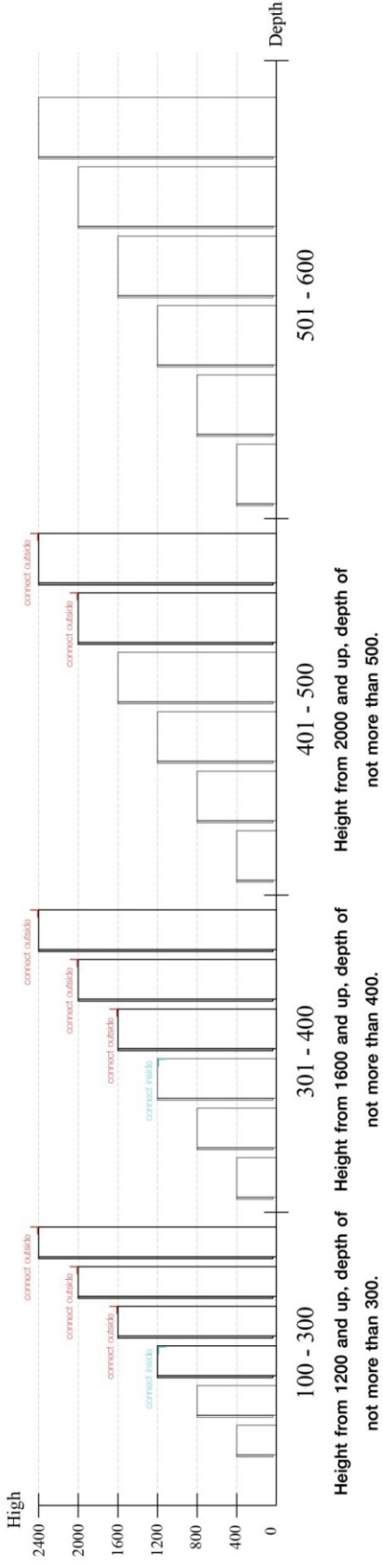


The Standard for identifying which mounted safety fall protection fitting to use **Note : That children's products must be installed with all anti-falling fittings.**

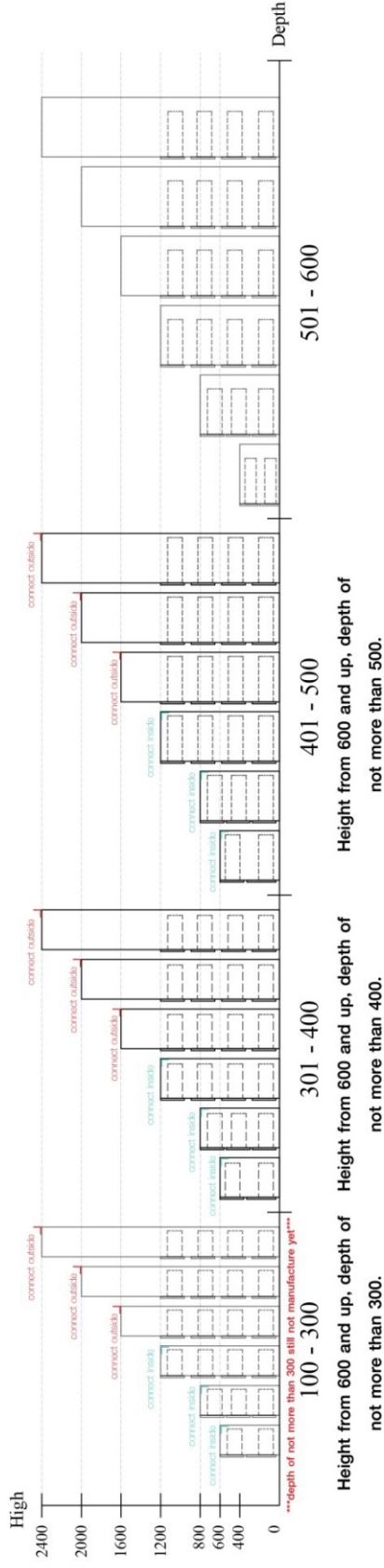
■ Mounted fall protection fittings



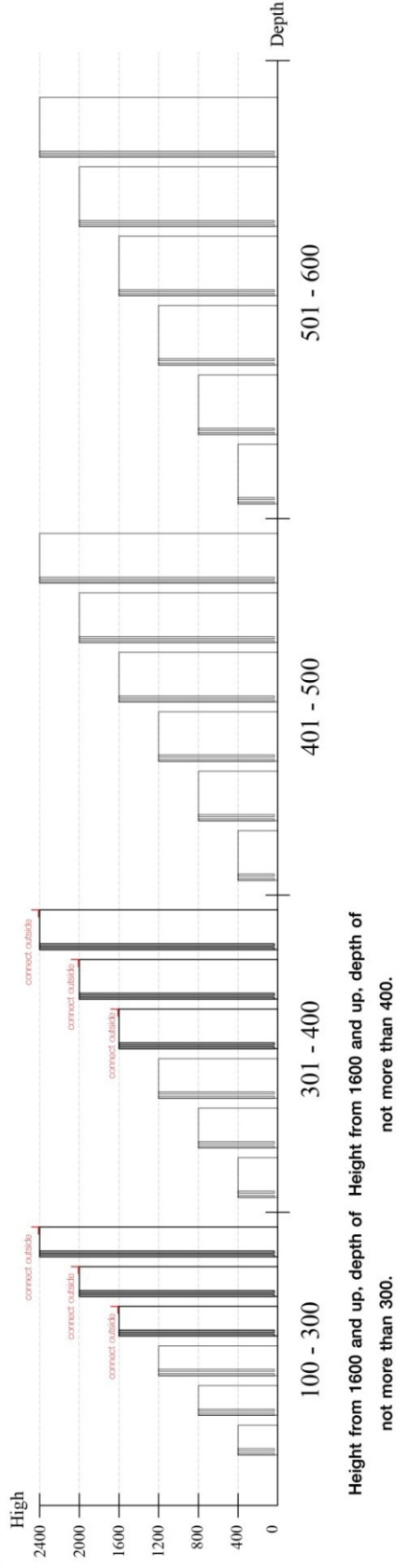
■ Category : Cabinet with open doors



■ Category : Chest of drawers

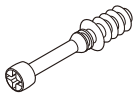


■ Category : Sliding door cabinet / Open cabinet



HARDWARE

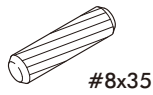
-BODY SET



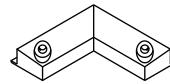
x 24



x 24



x 50



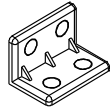
x 2



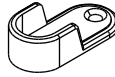
x 3



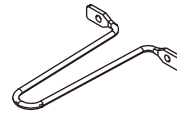
x 8



x 9



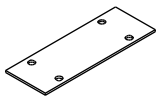
x 2



x 1



x 10



x 2



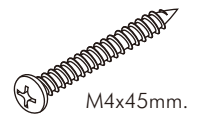
x 20



x 28



x 7



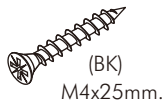
x 3



x 4



x 30



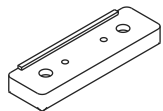
x 18



x 1



x 4



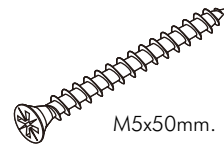
x 12



x 60



x 11



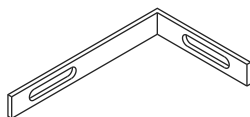
x 1



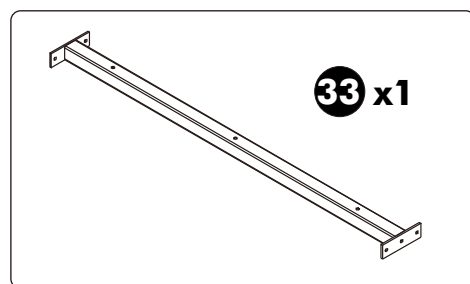
x 1



x 1



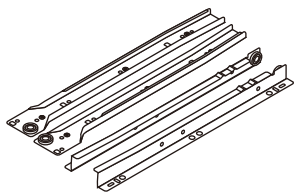
x 1



33 x 1

HARDWARE

-DRAWER SET



x 1



M3.5x13mm.

x 18



M4x40mm.

x 10



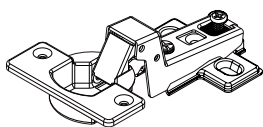
M6x23mm.

x 3

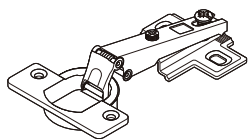


x 1

-DOOR SET



x 4



x 8



M4x16mm.

x 48



x 2

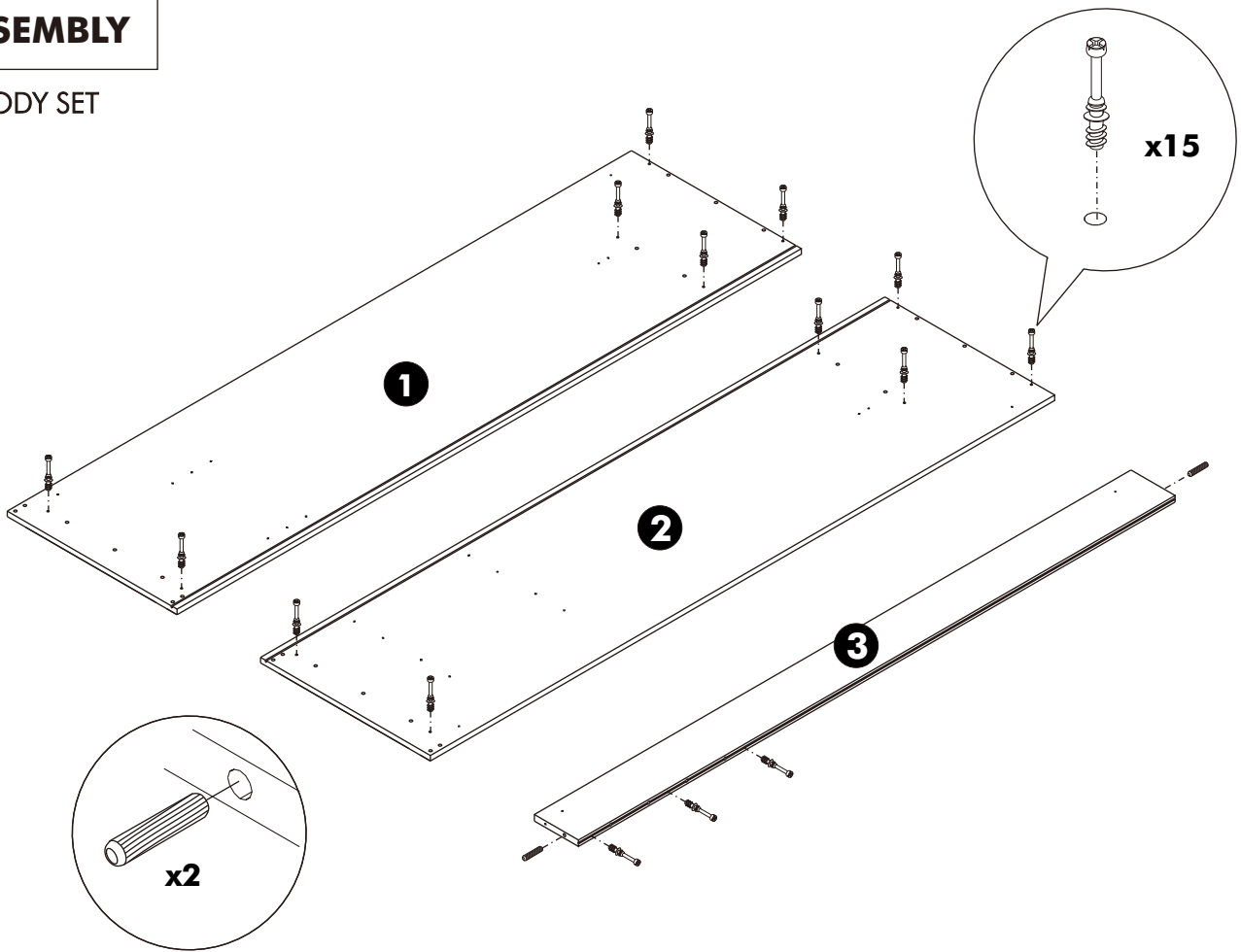


x 6

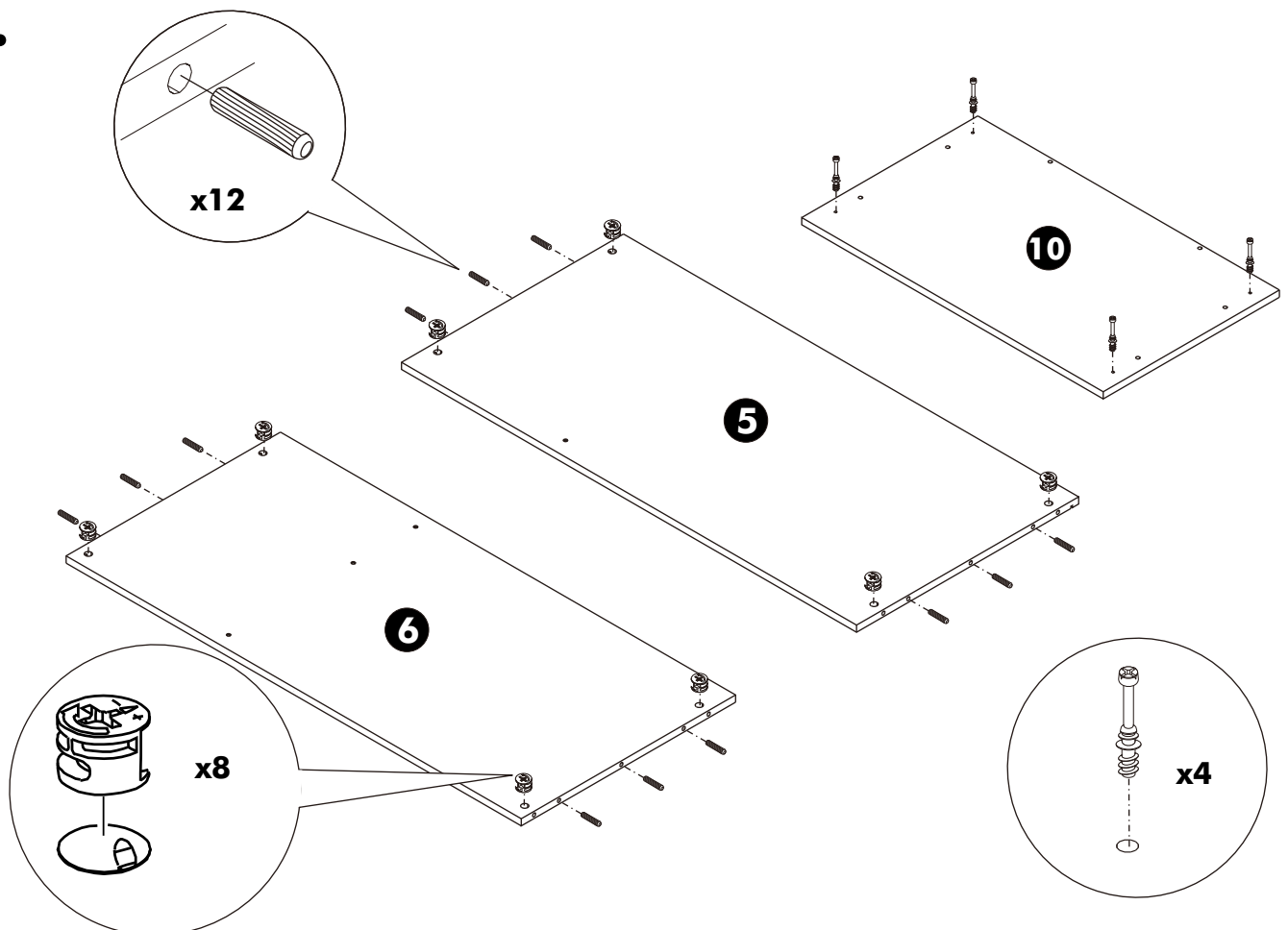
ASSEMBLY

-BODY SET

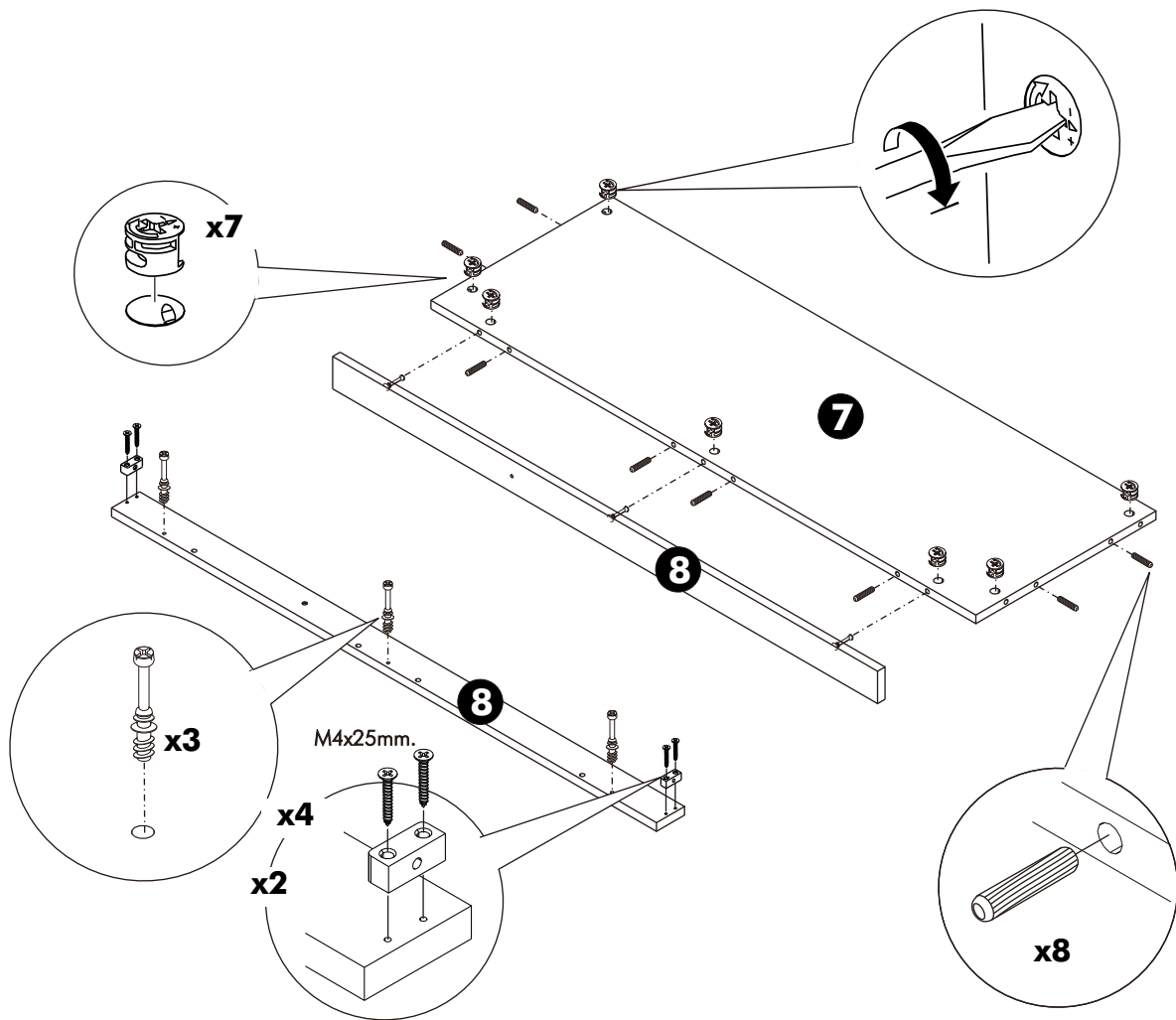
1.



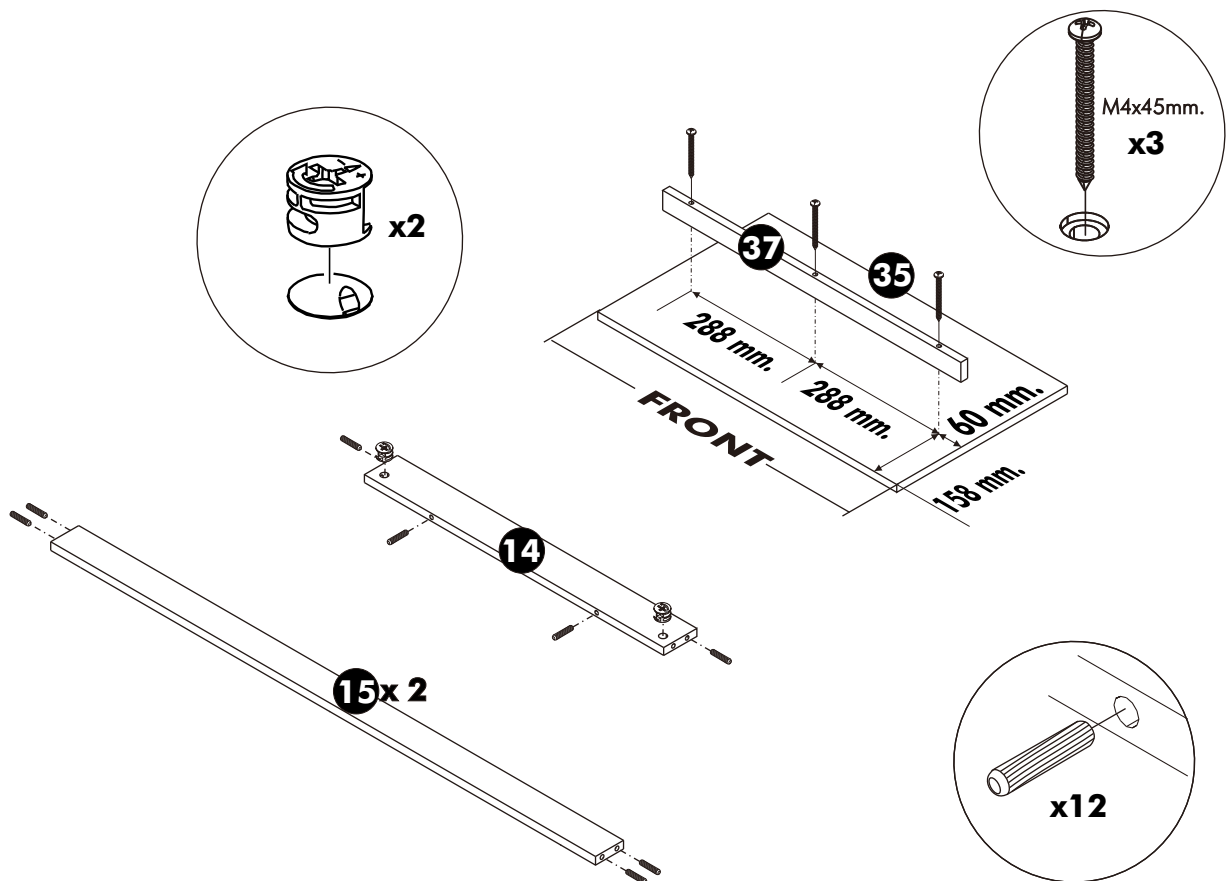
2.



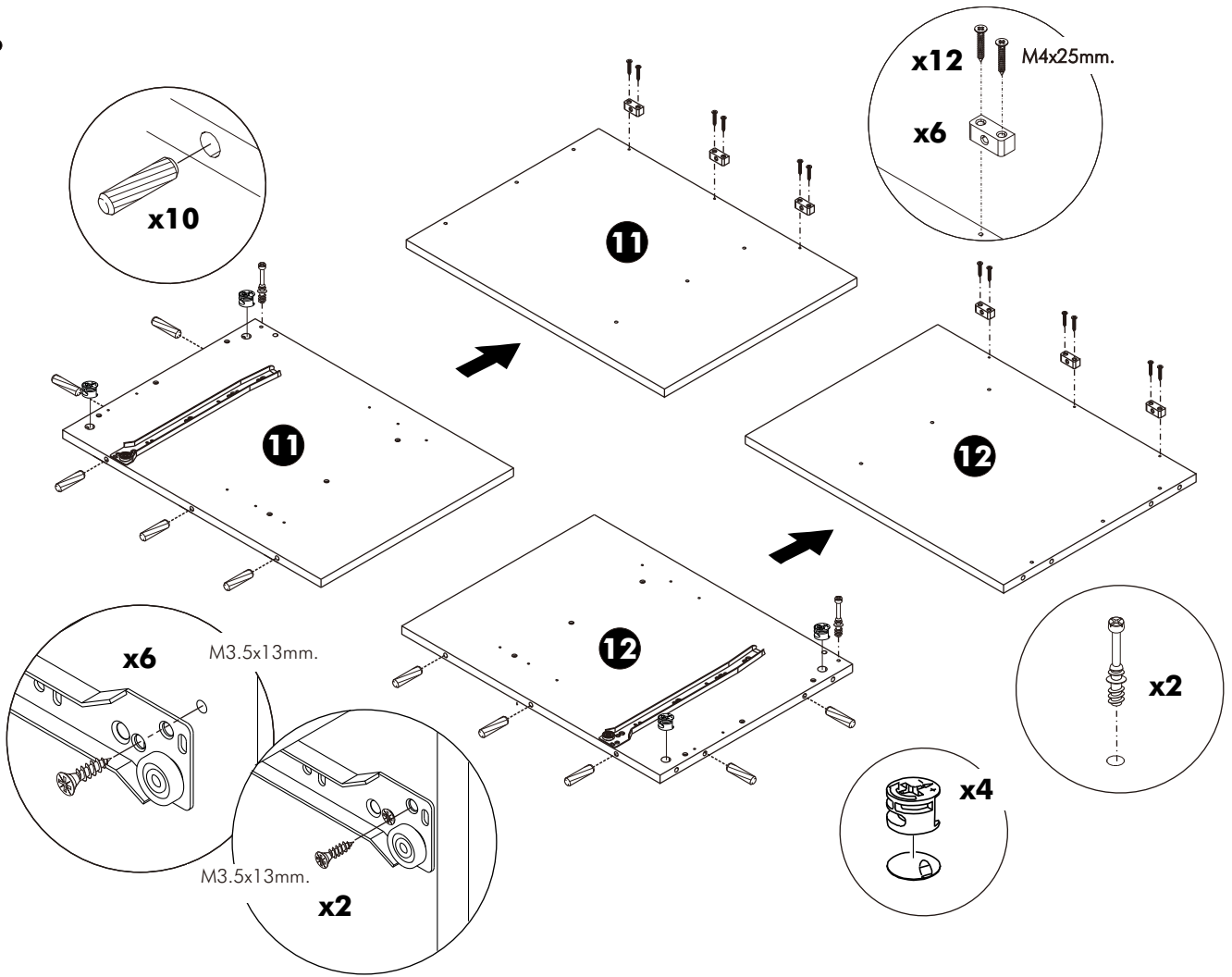
3.



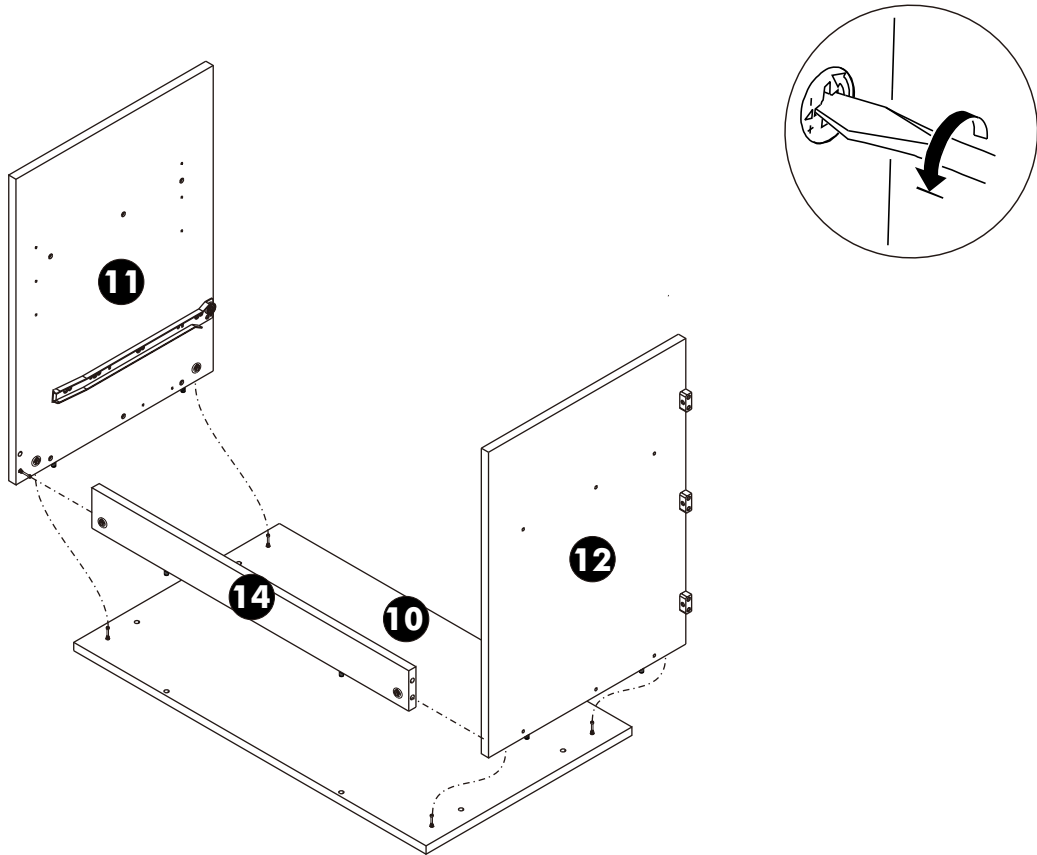
4.



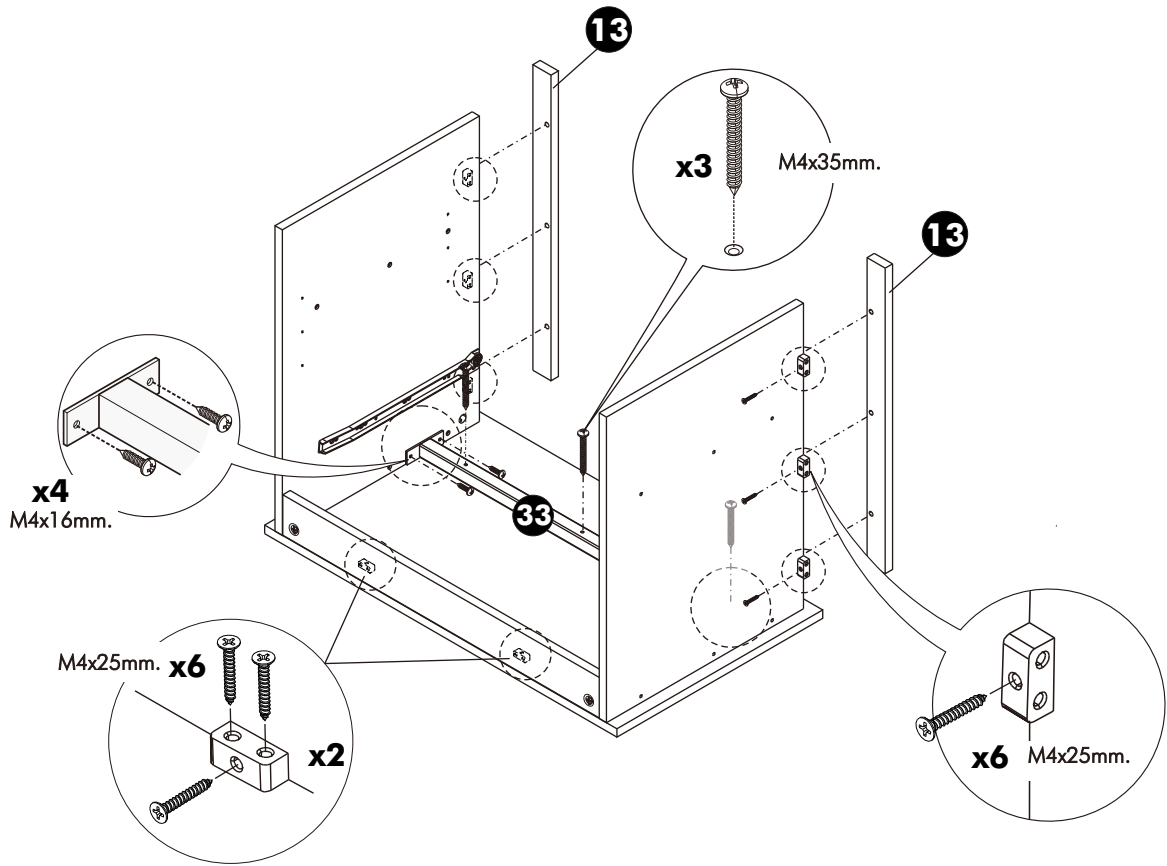
5.



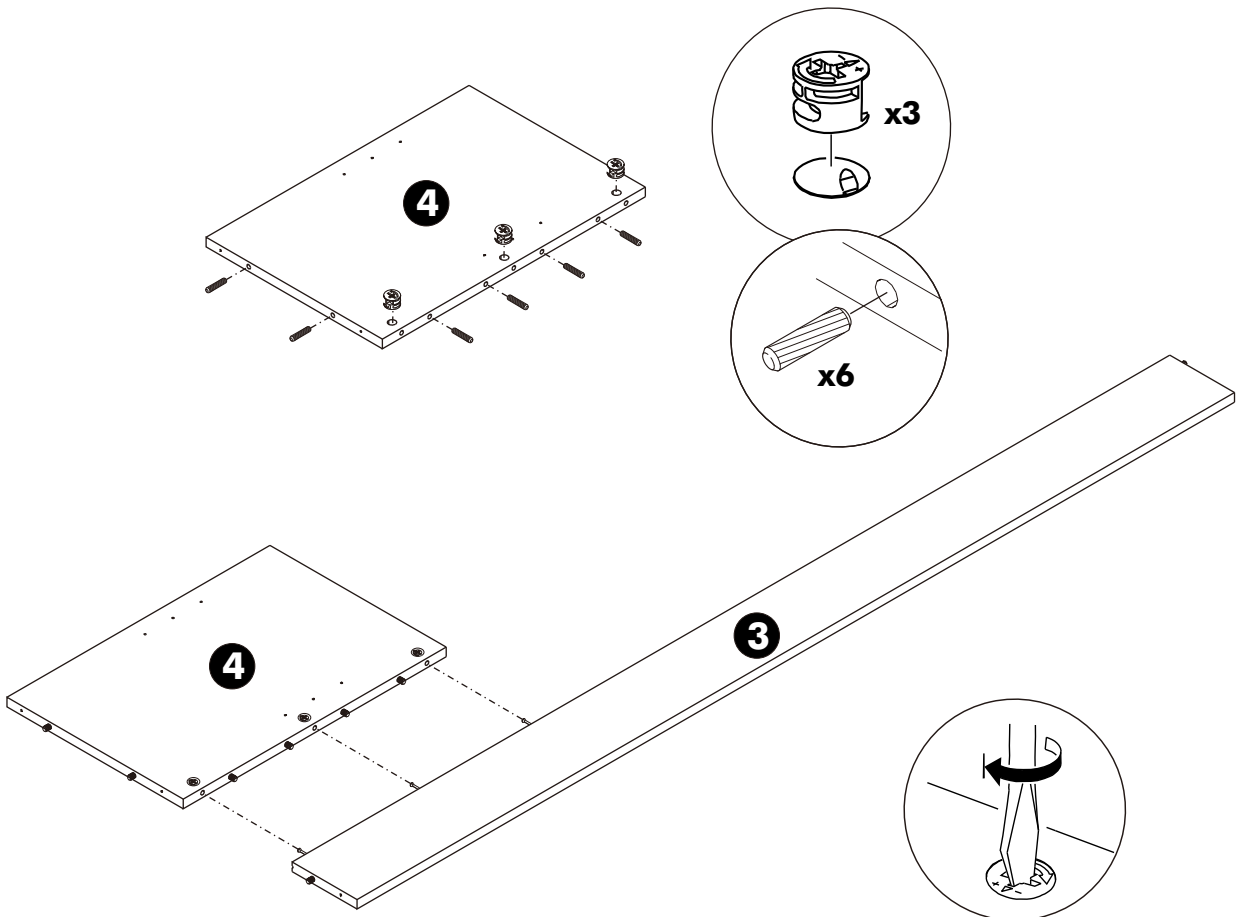
6.



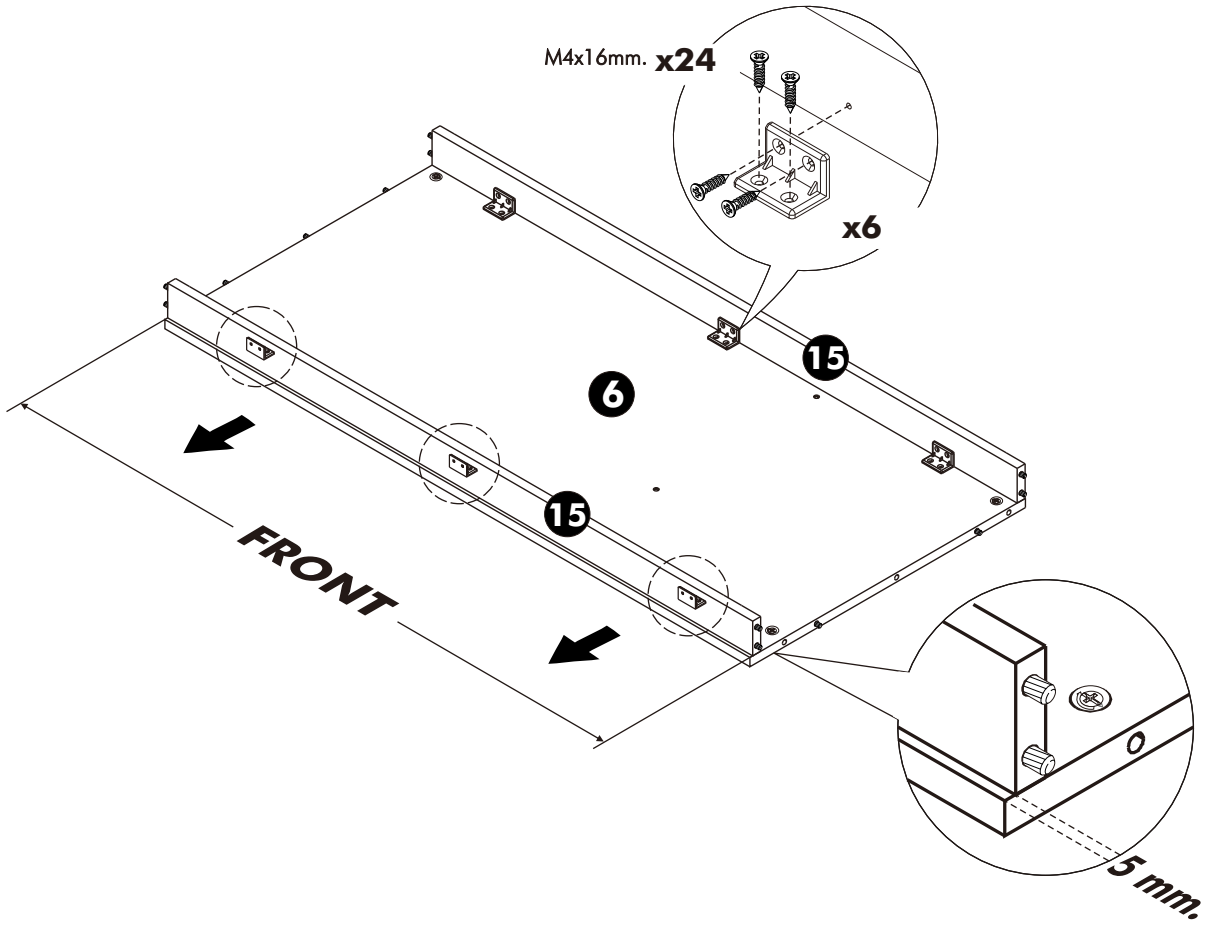
7.



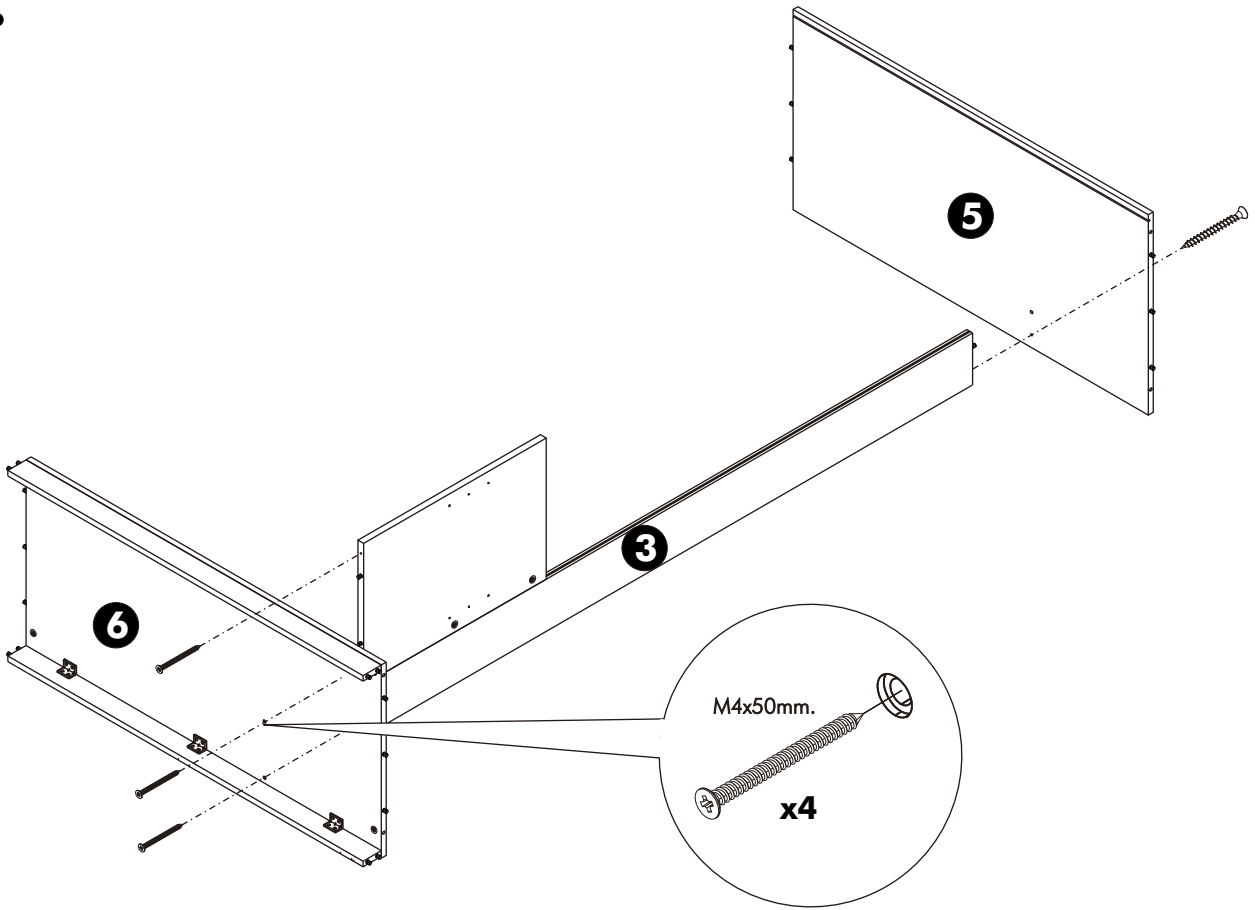
8.



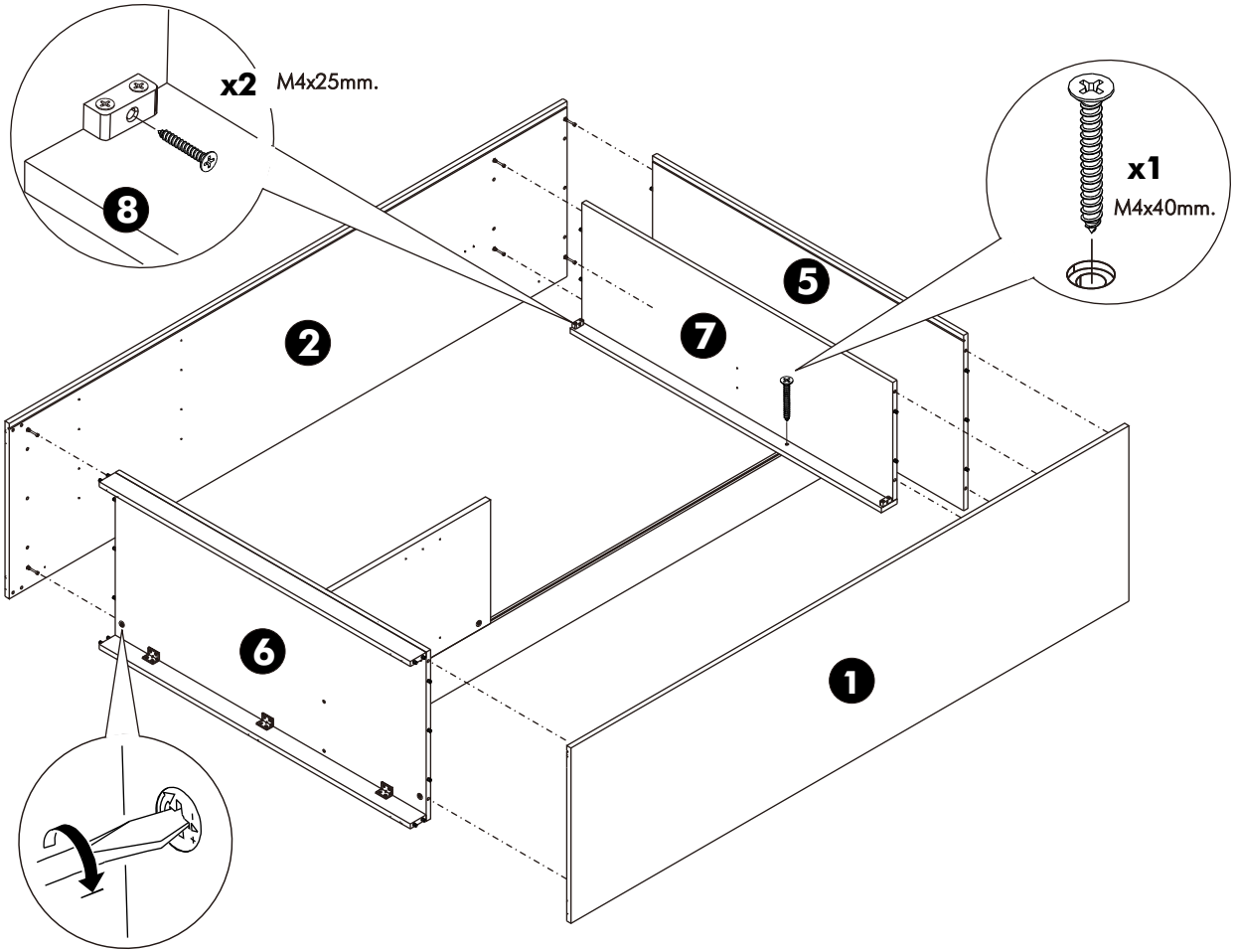
9.



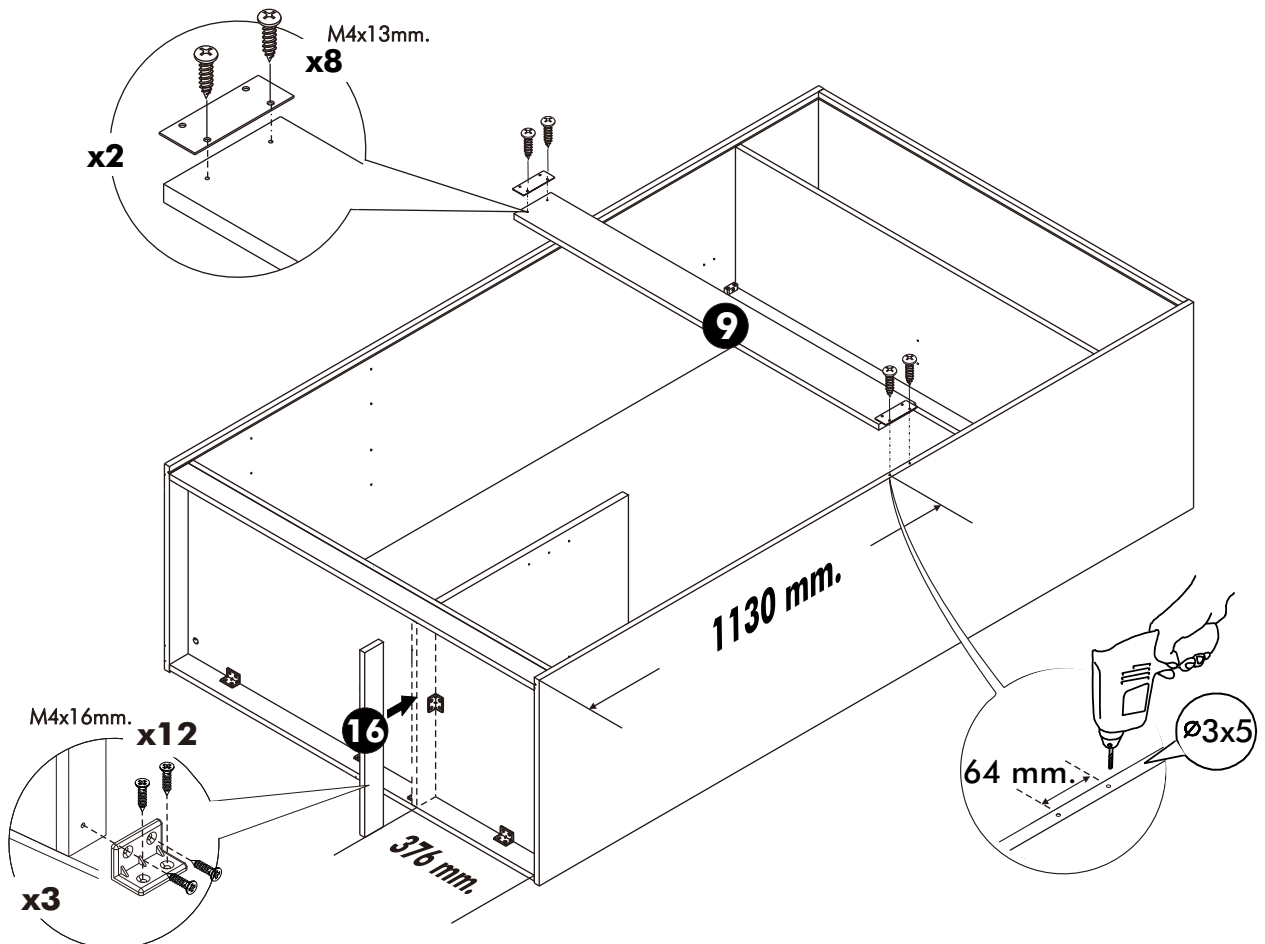
10.



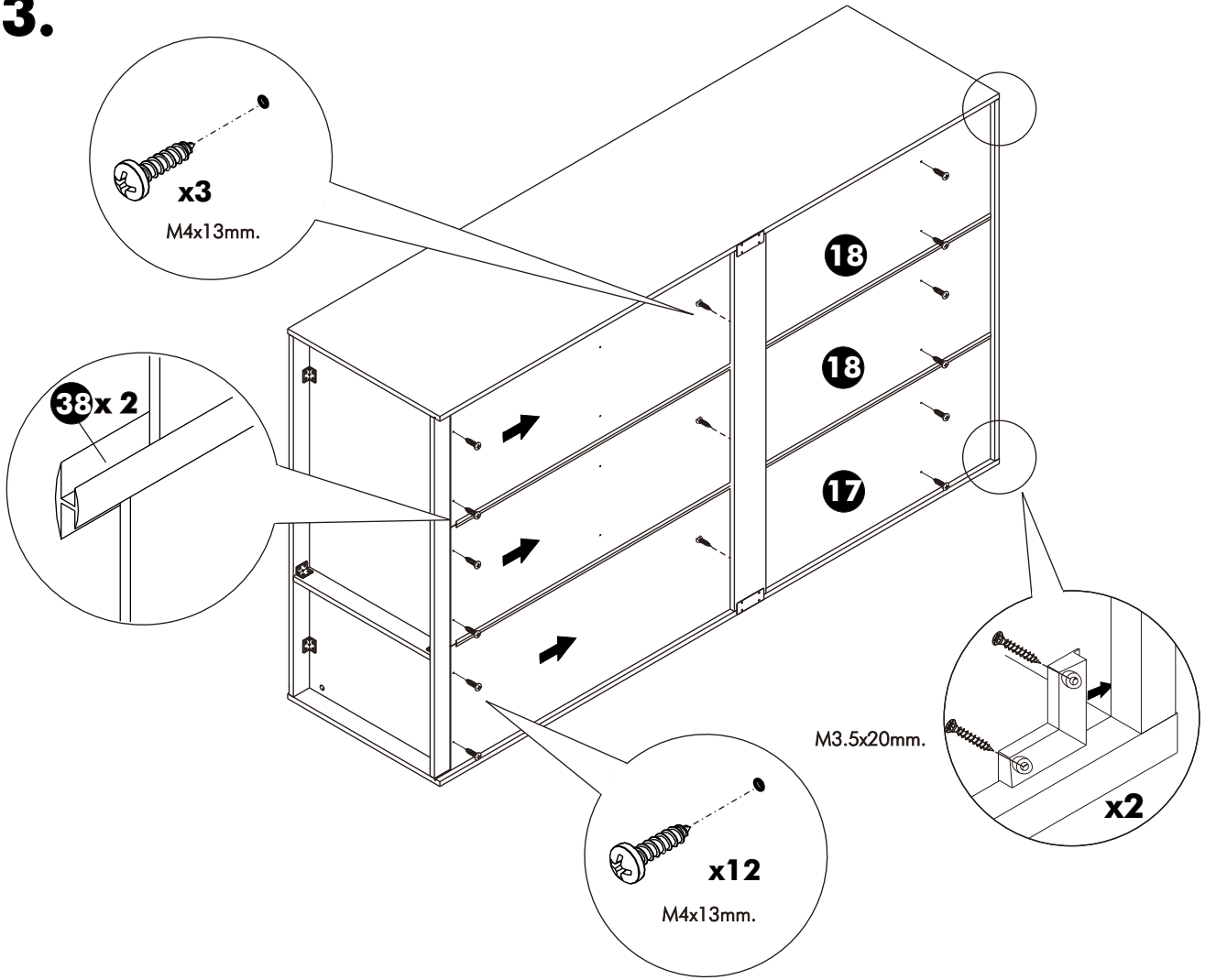
11.



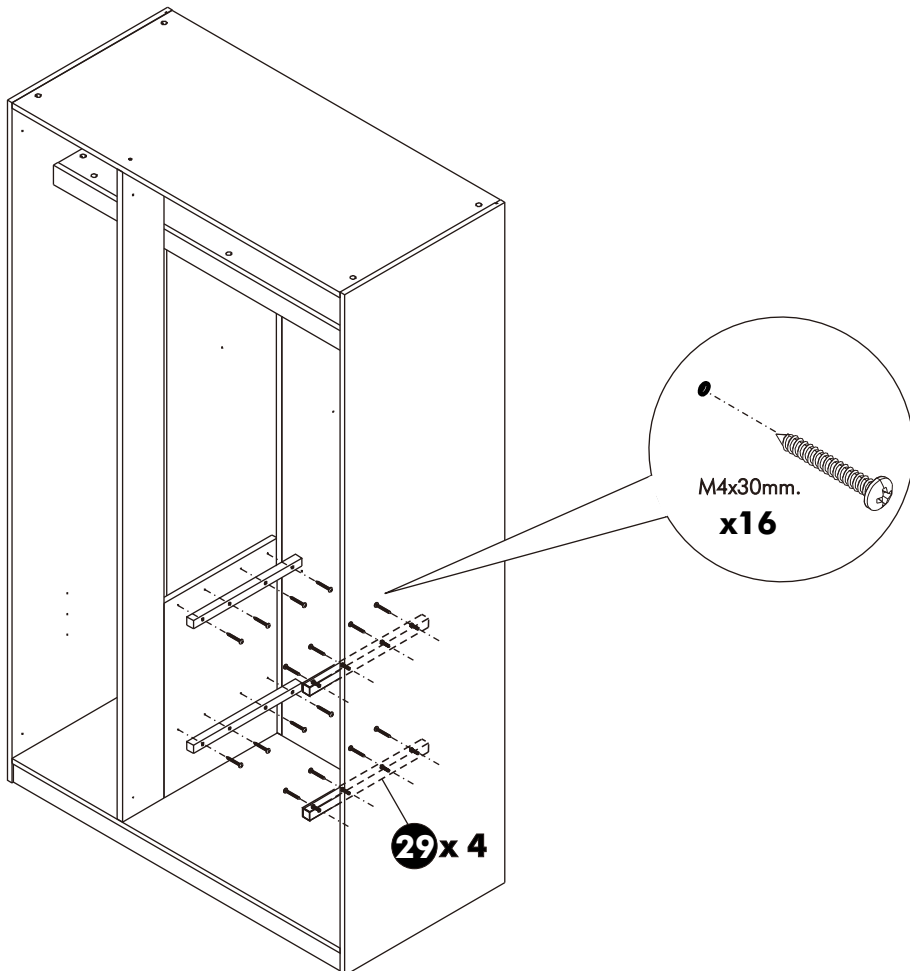
12.



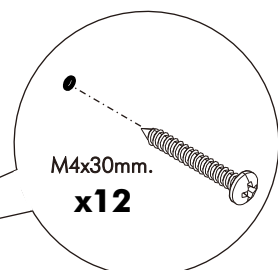
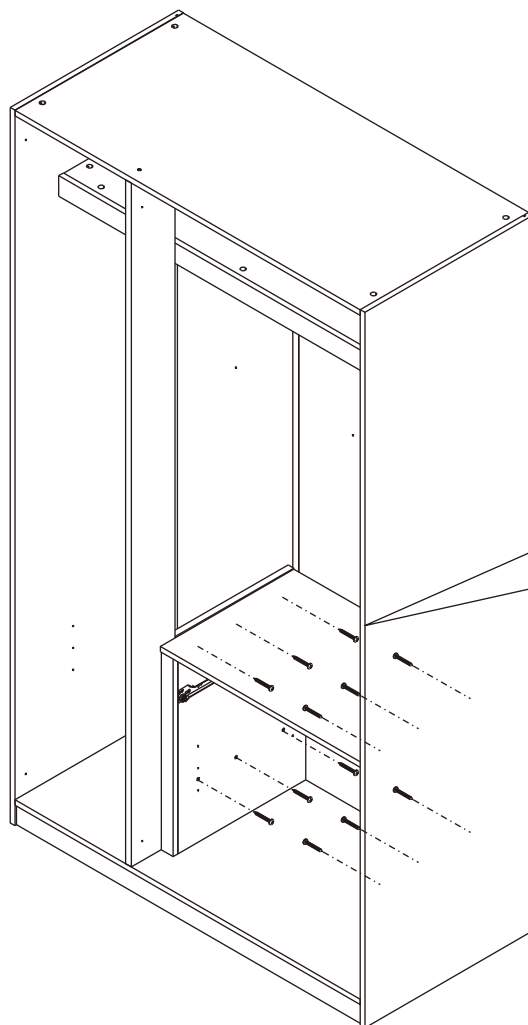
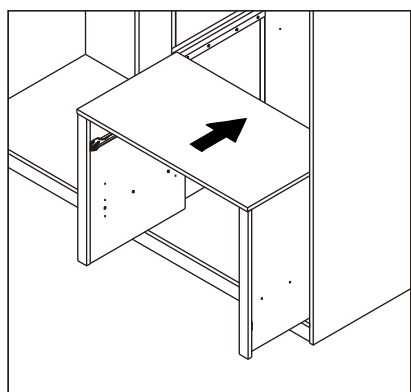
13.



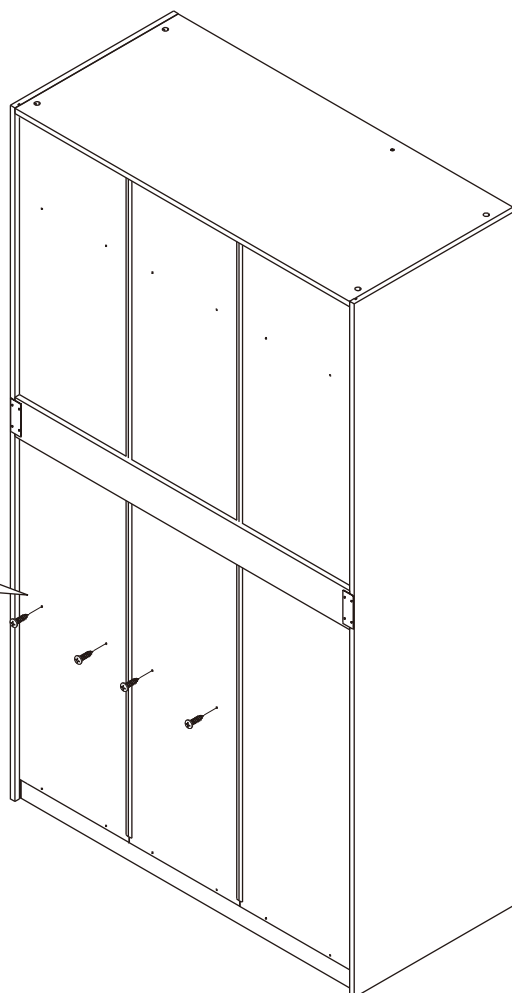
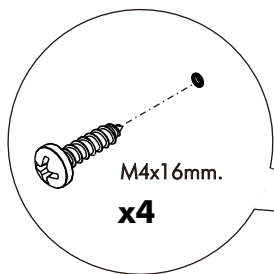
14.



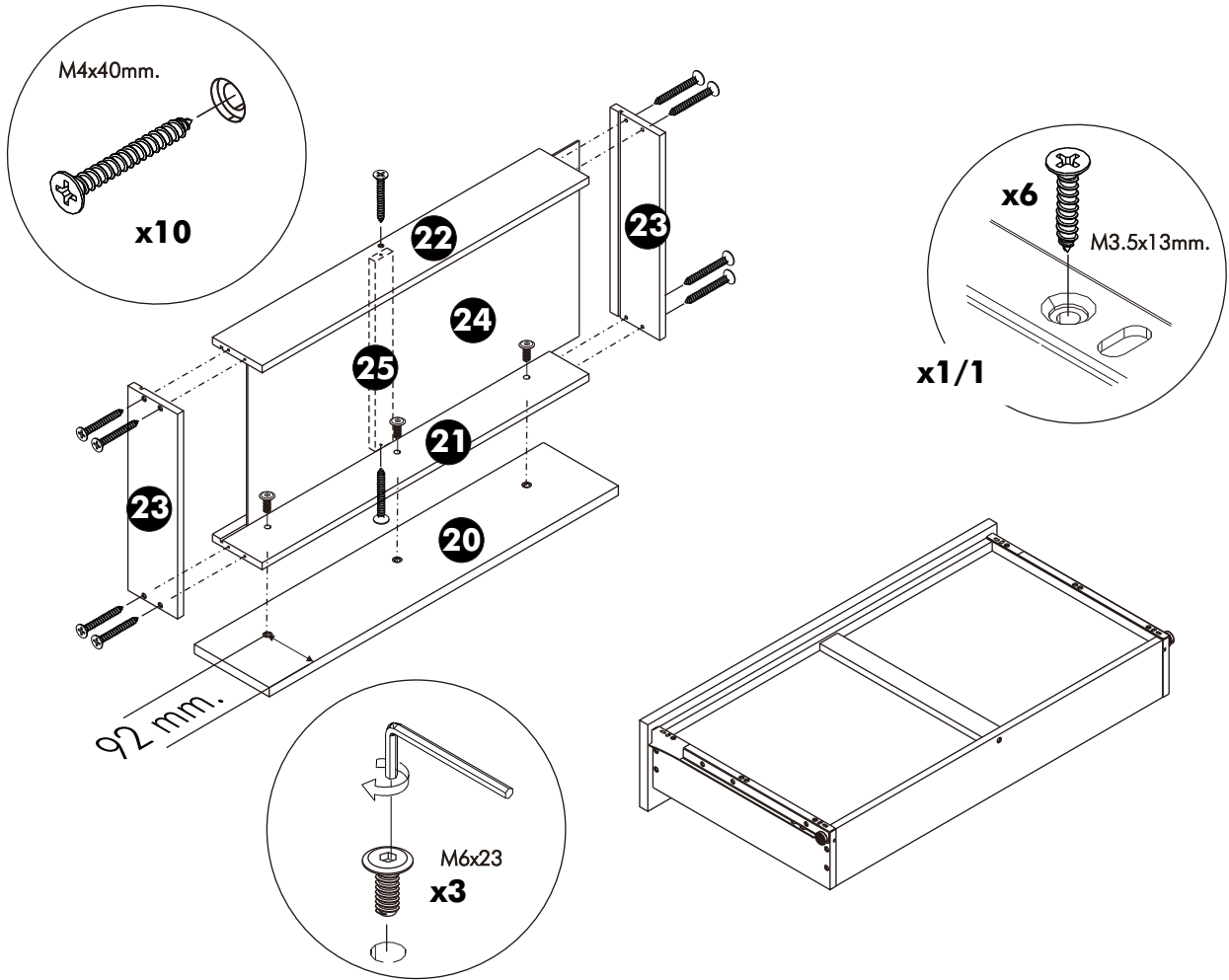
15.



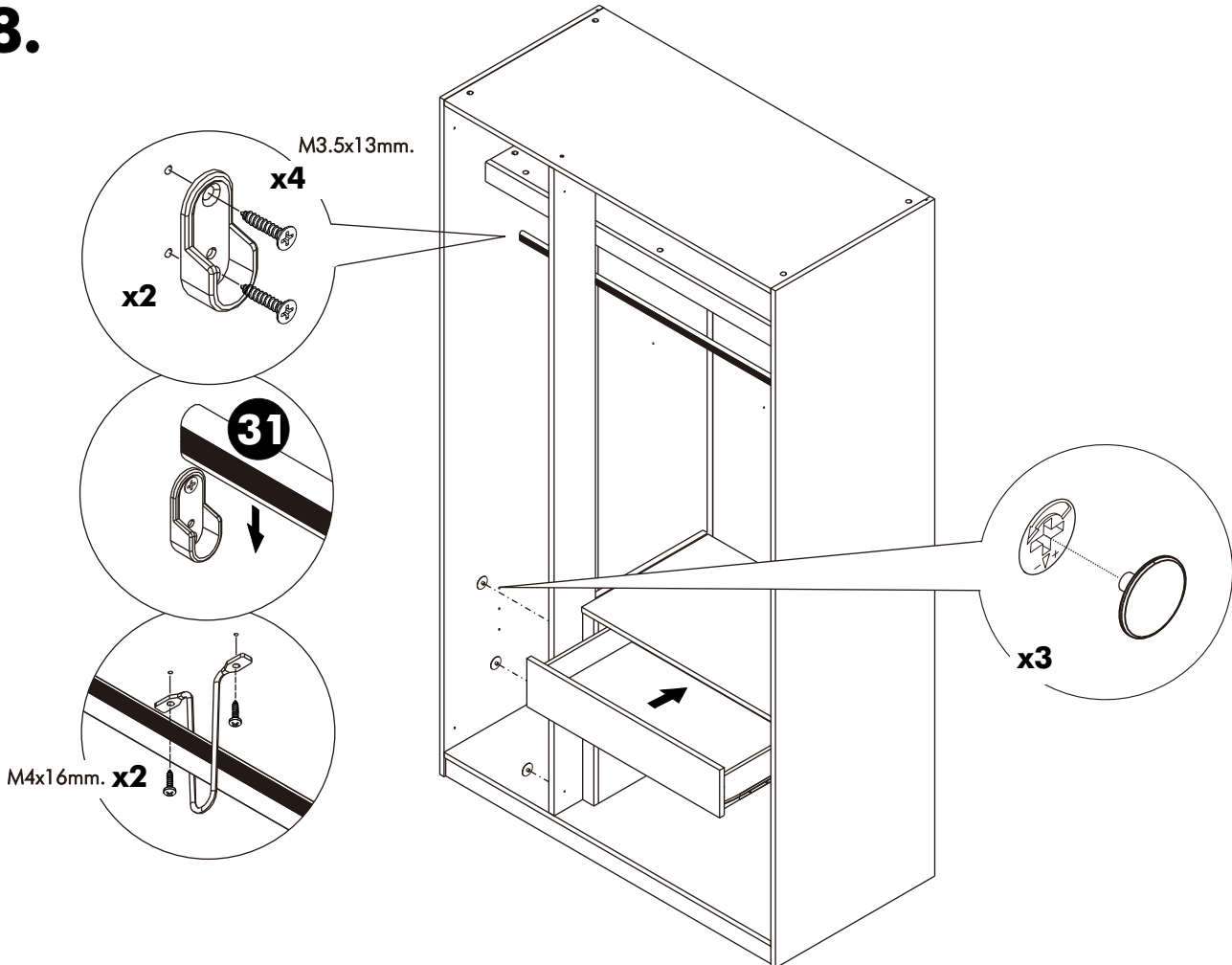
16.



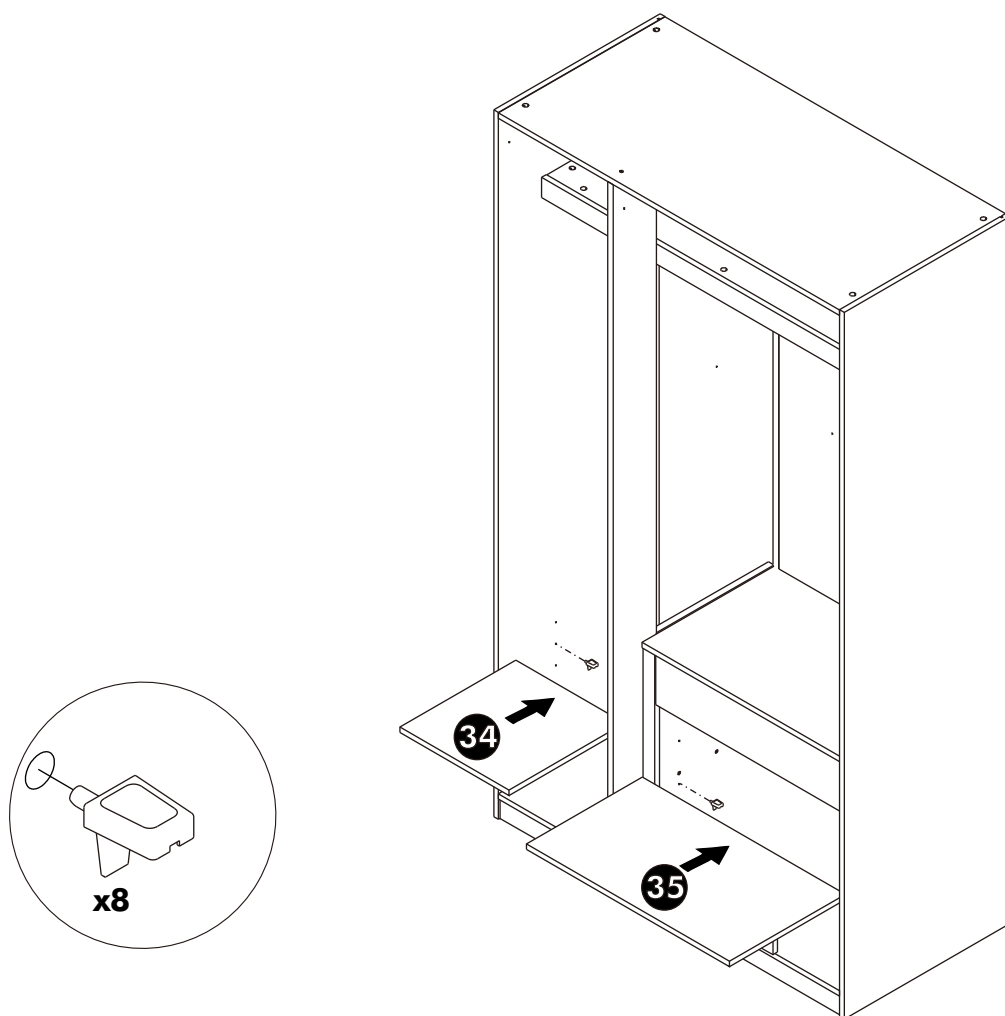
17.



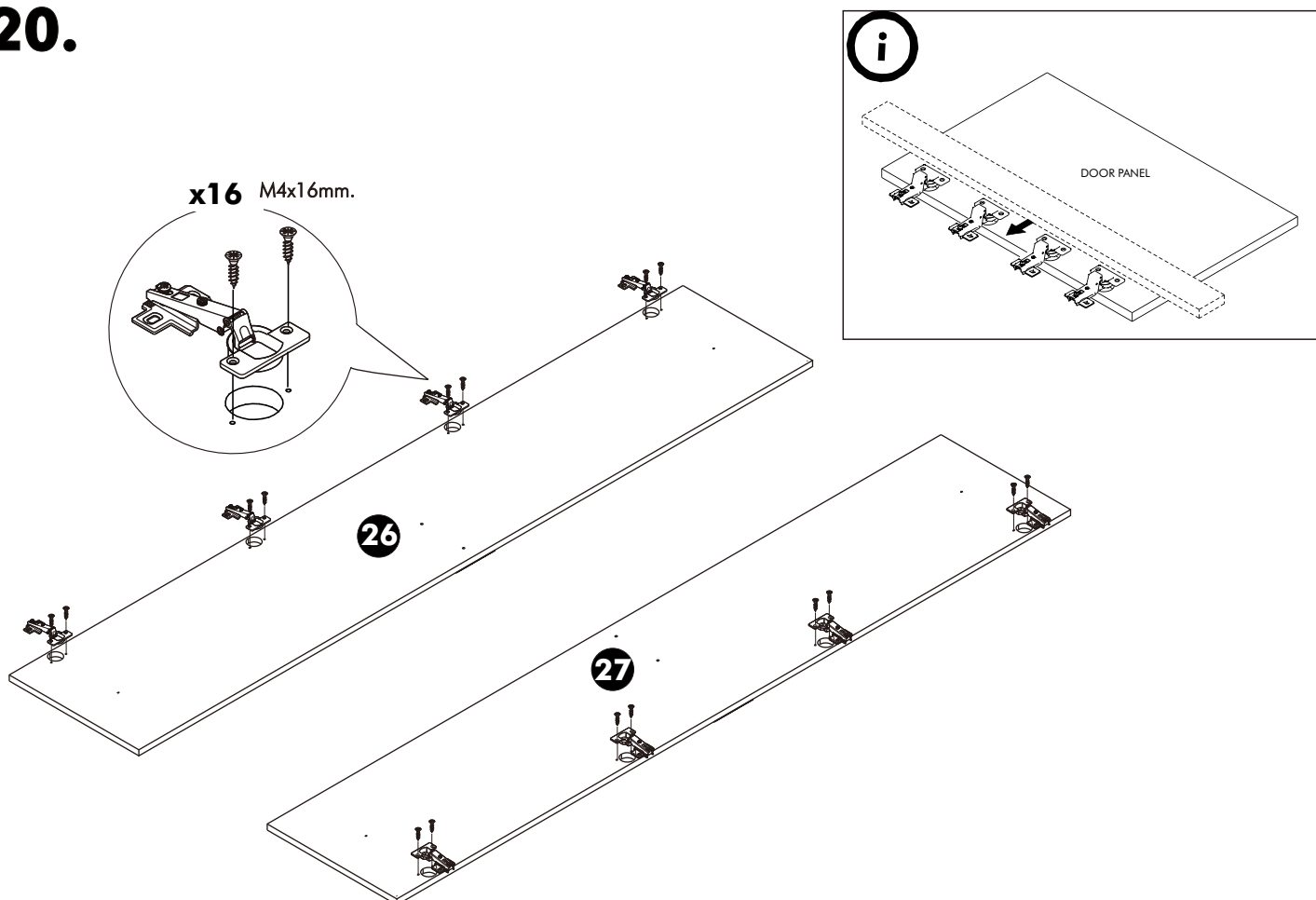
18.



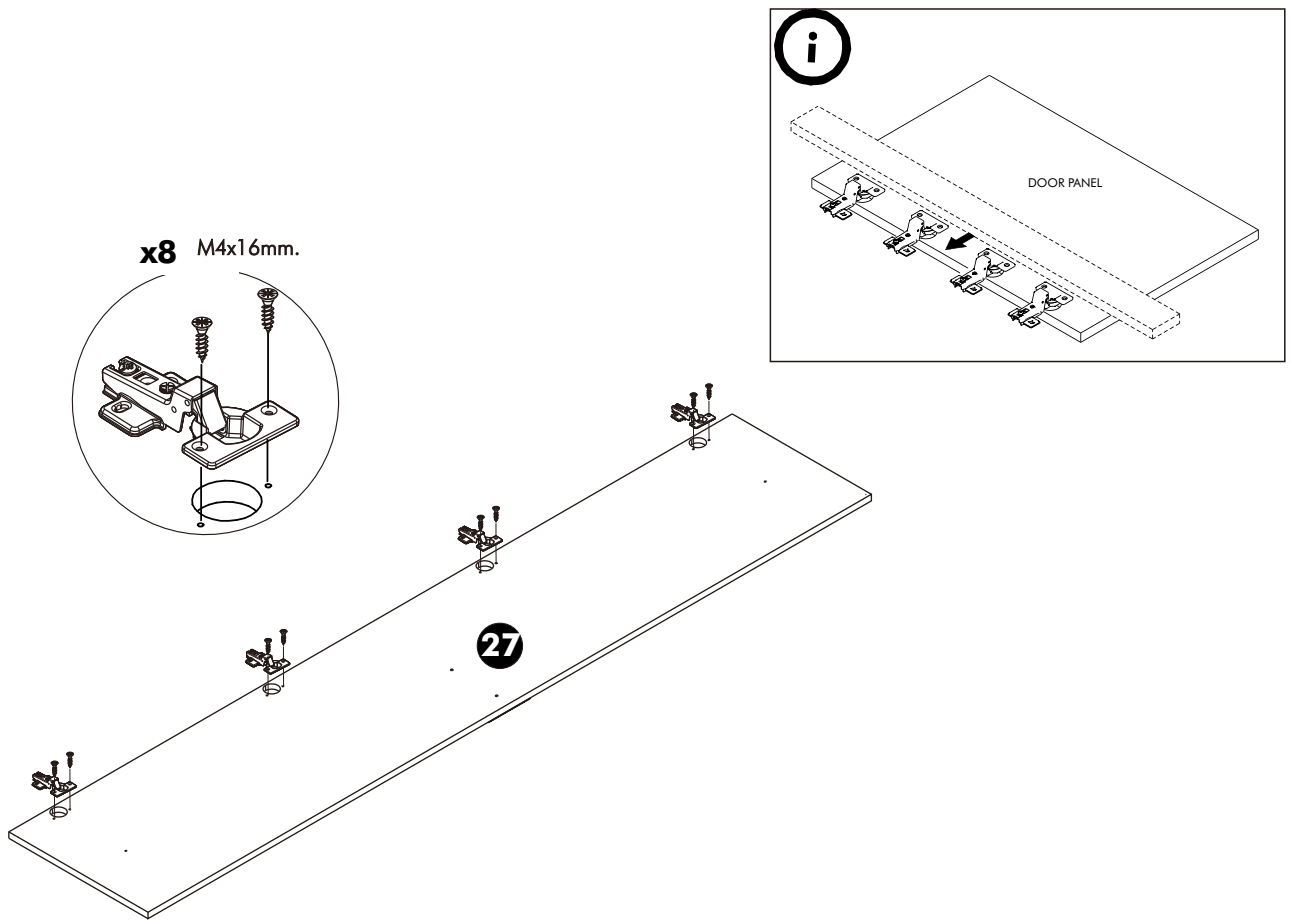
19.



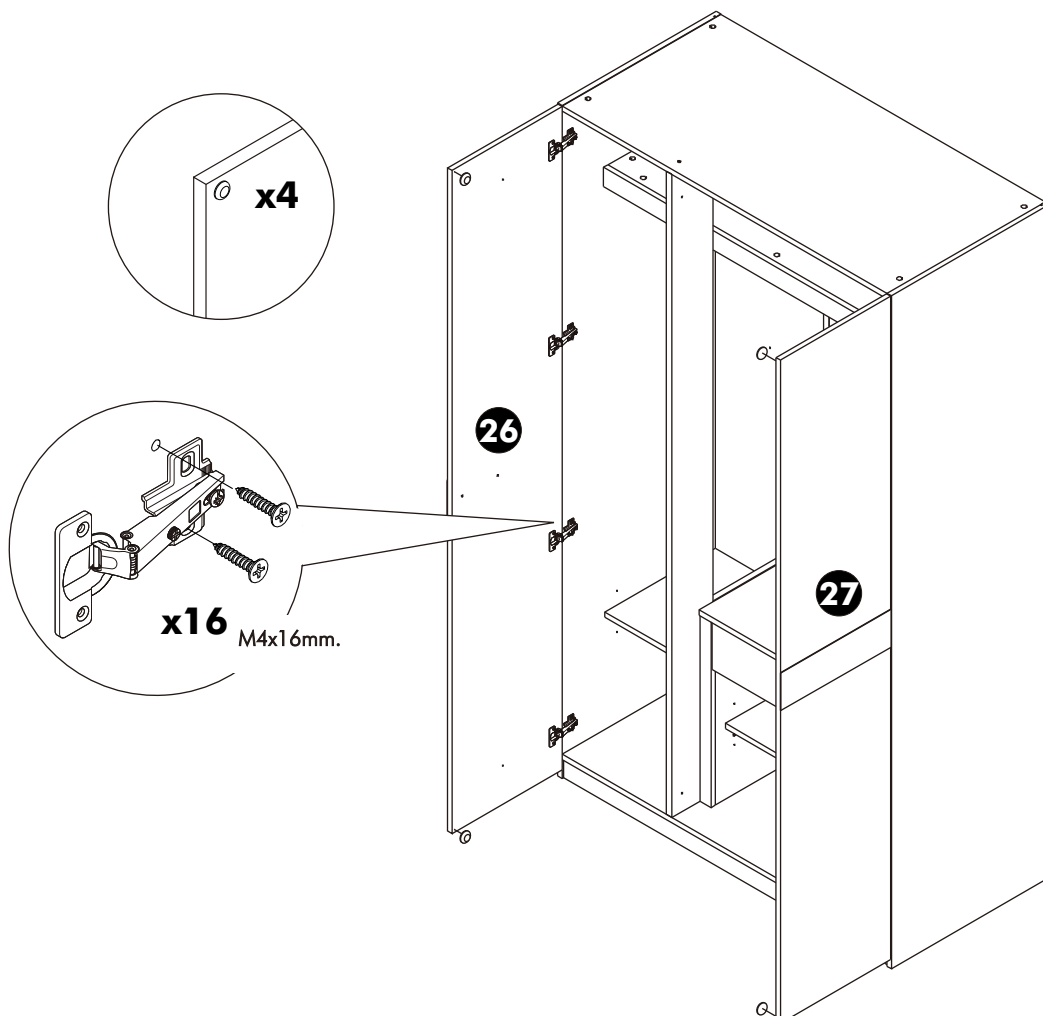
20.



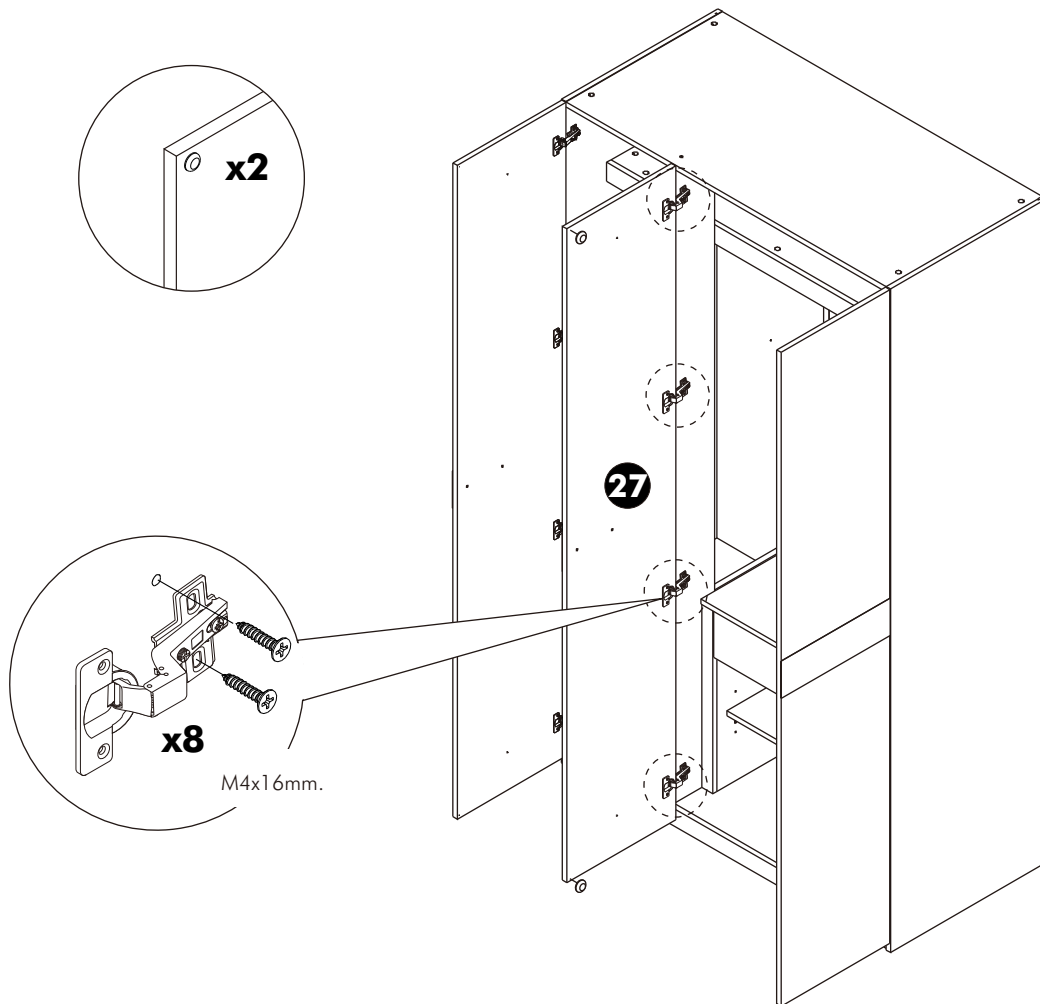
21.



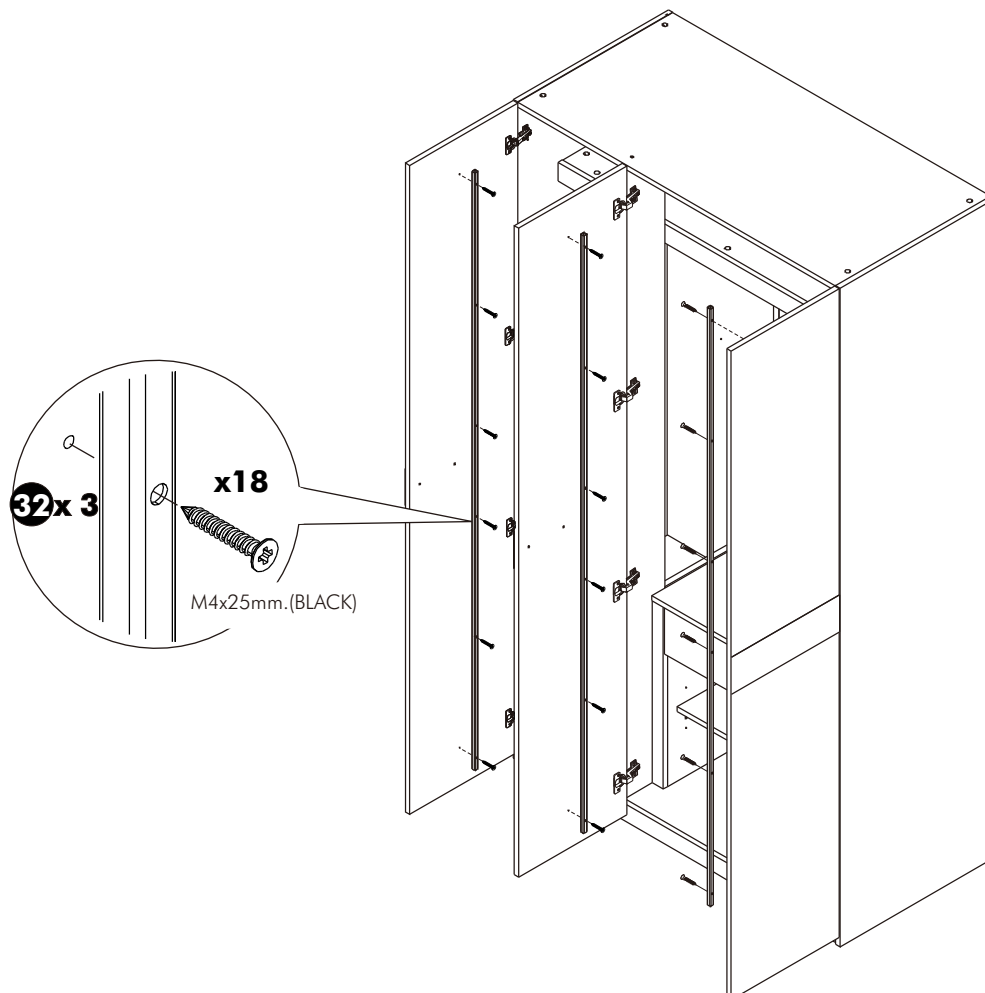
22.



23.



24.



25.

