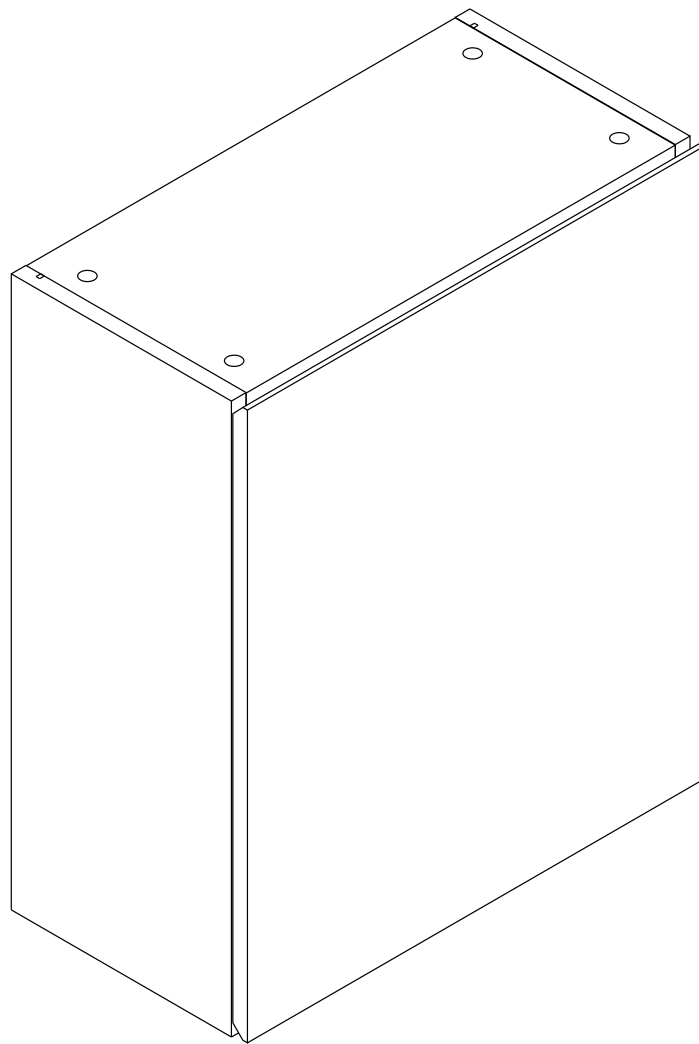
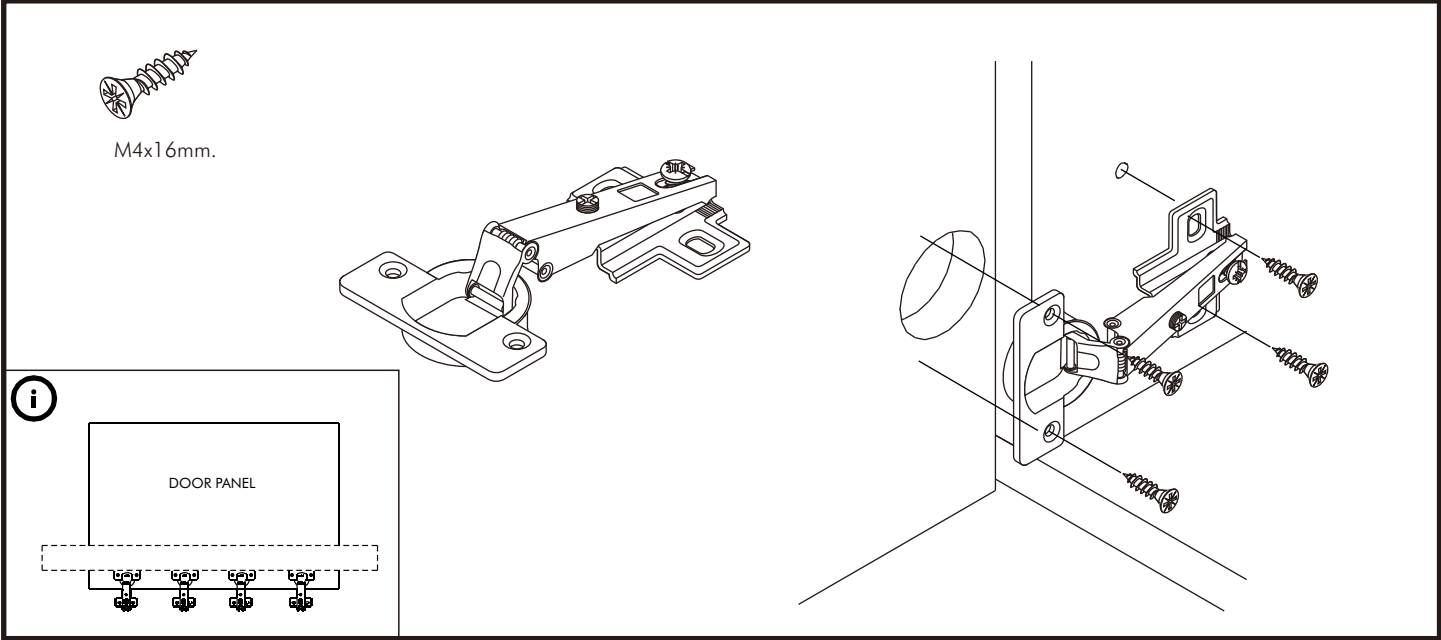
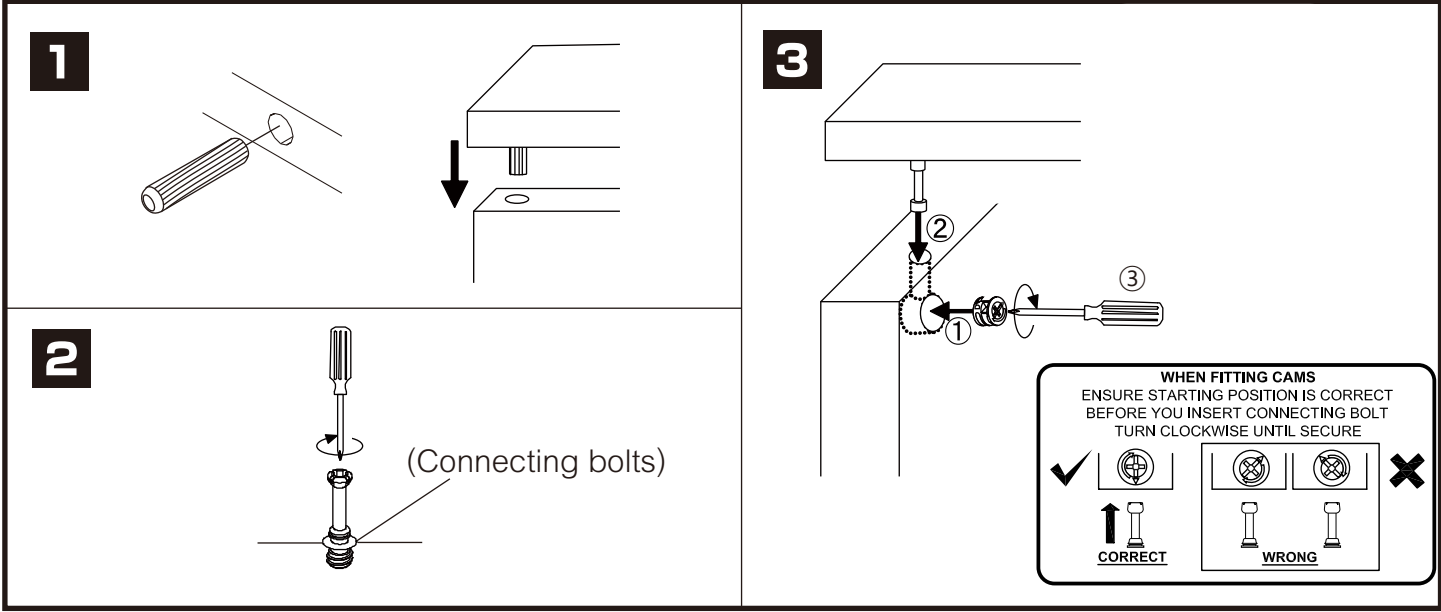


# URBANO-P

**Wall Cabinet 50 cm.**

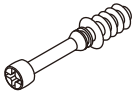


# CONNECT SYSTEM



# HARDWARE

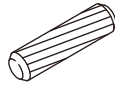
## -BODY SET



**x 8**



**x 8**



**x 8**

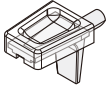


**x 4**

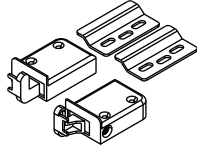


M4x30mm.

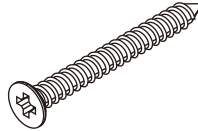
**x 4**



**x 4**

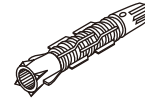


**x 1**



M4x50mm.

**x 4**



**x 4**



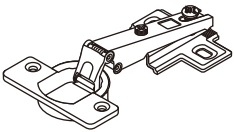
M4x25mm.

**x 3**



**x 1**

## -DOOR SET



**x 2**



M4x16mm.

**x 8**

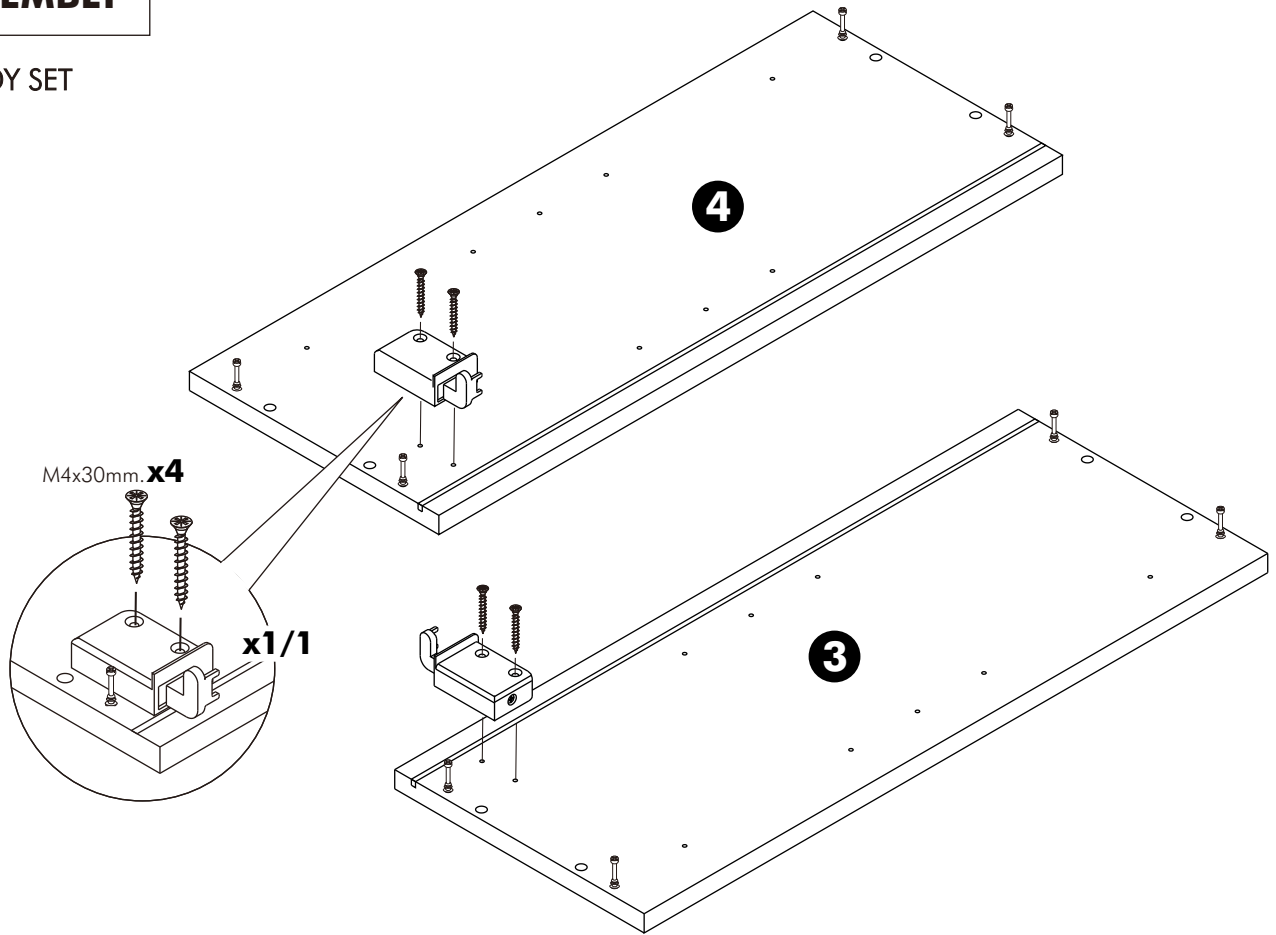


**x 2**

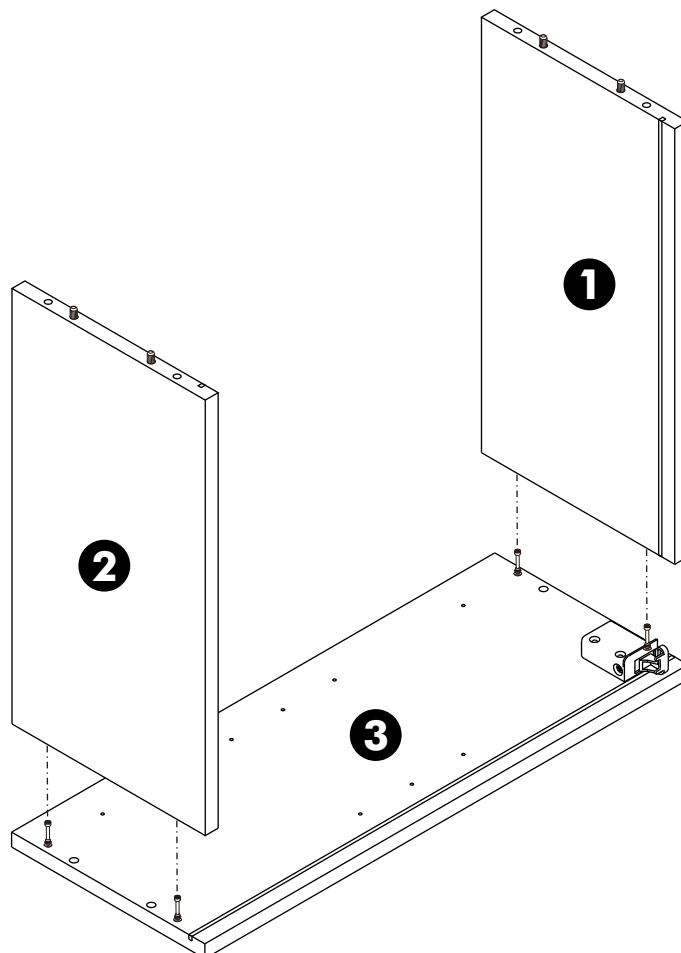
# ASSEMBLY

-BODY SET

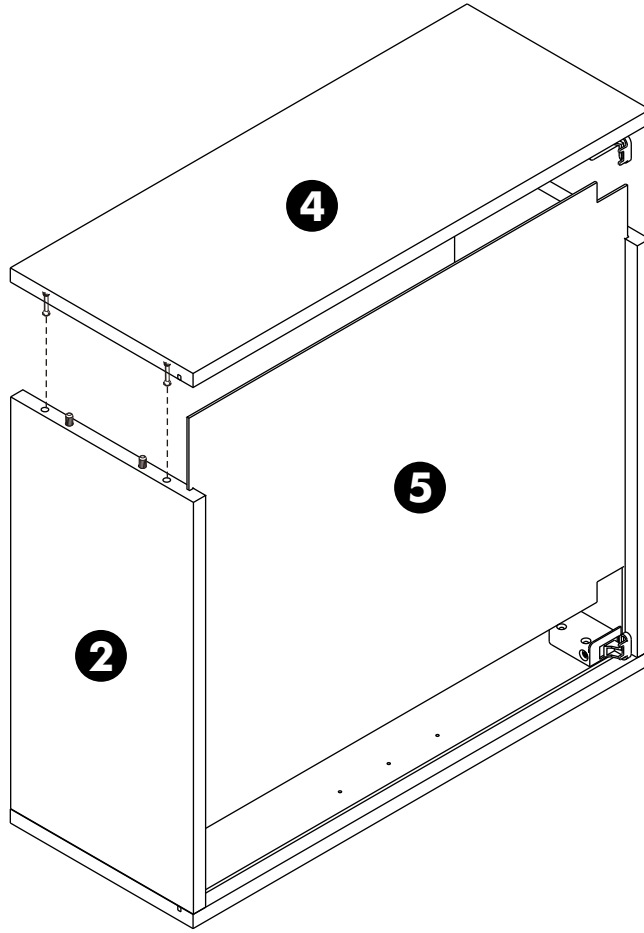
**1.**



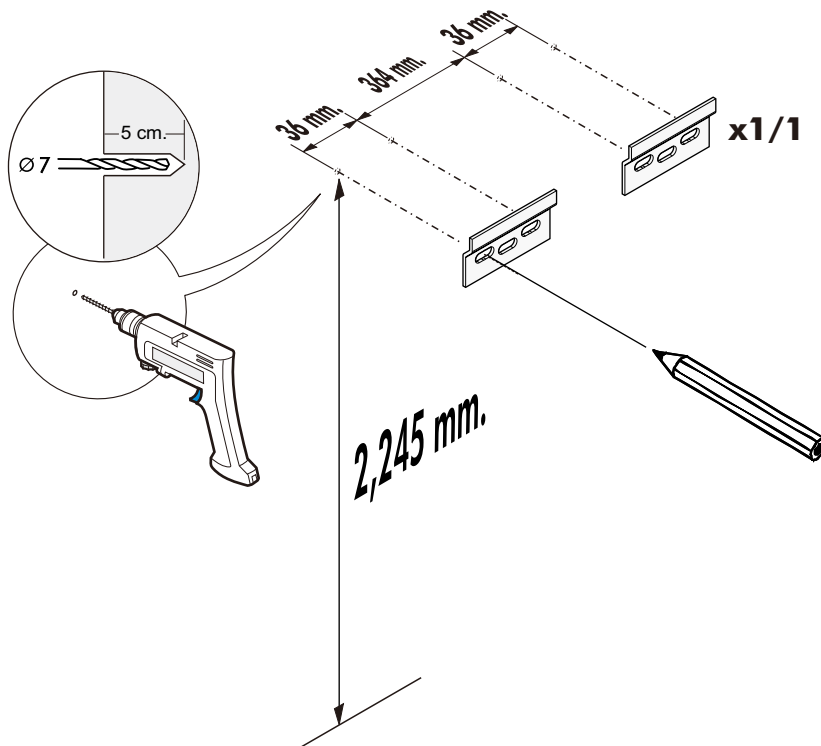
**2.**



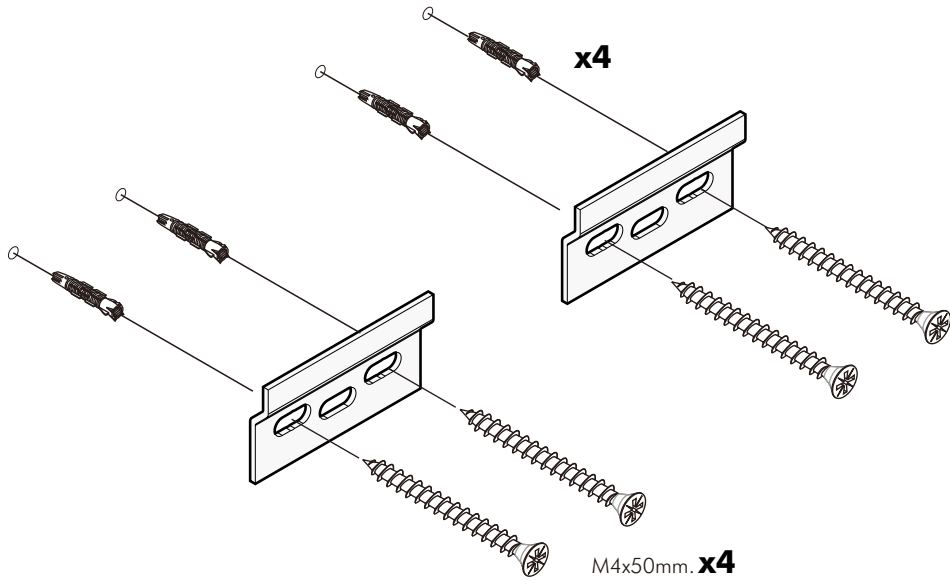
**3.**



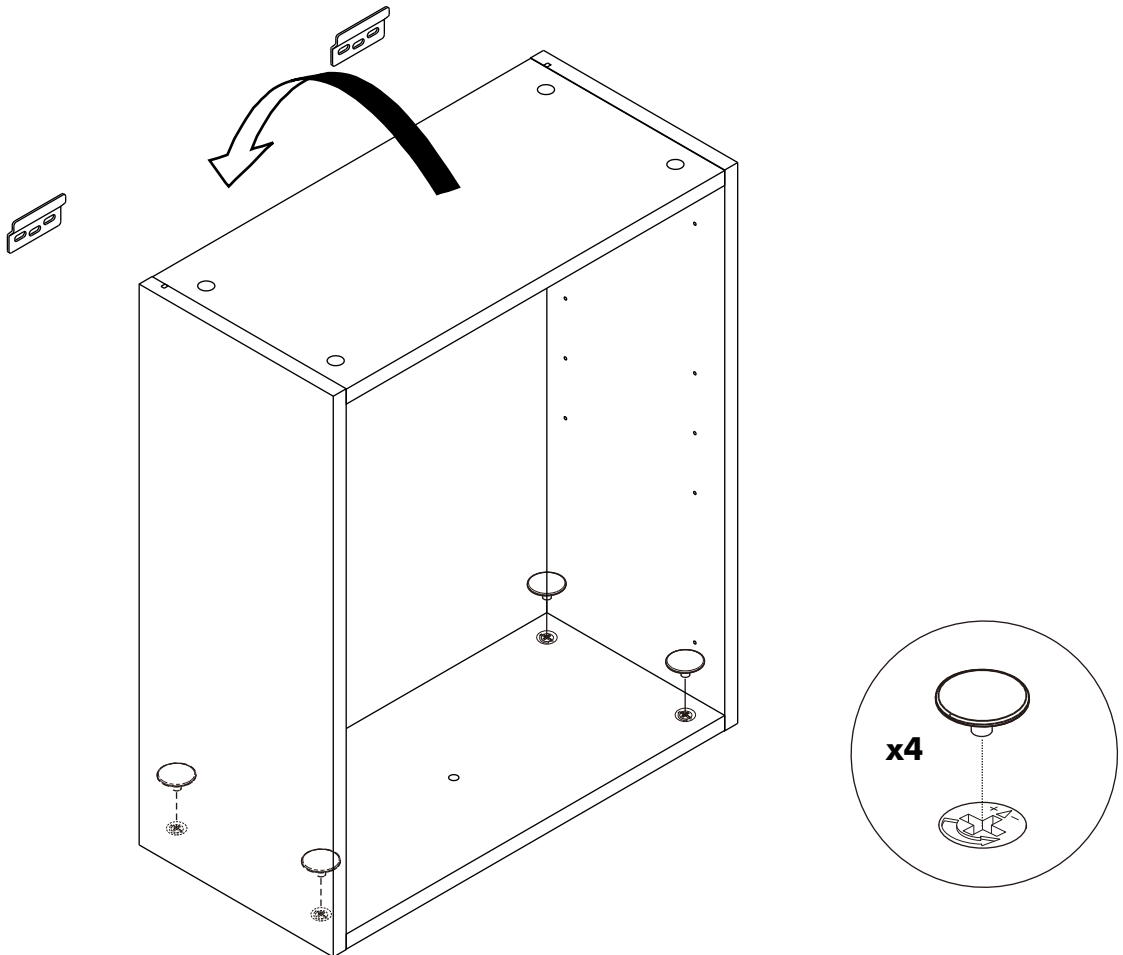
**4.**



**5.**



**6.**



# ASSEMBLY

-DOOR SET

