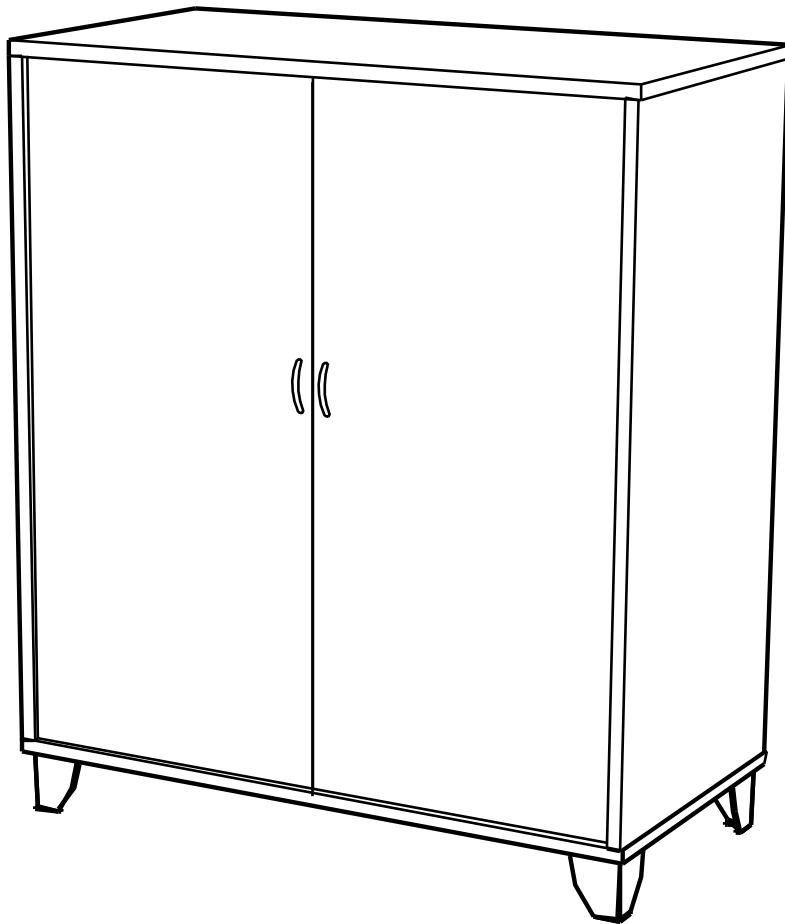


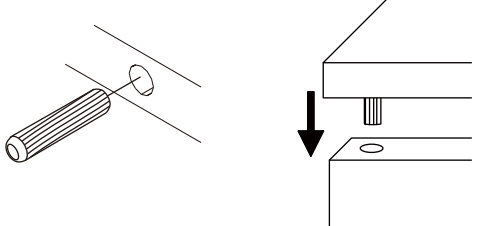
ONE WAY-B-P

Cabinet

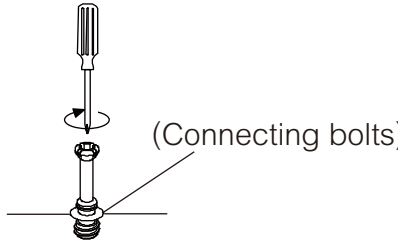


CONNECT SYSTEM

1

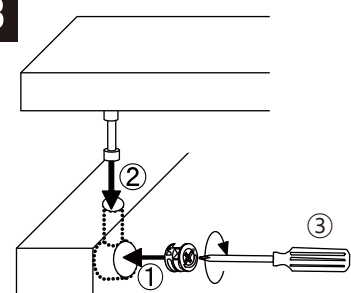


2

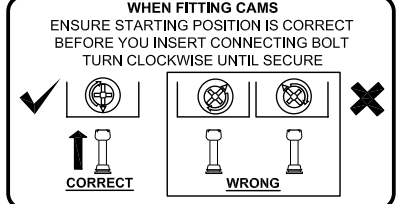


(Connecting bolts)

3

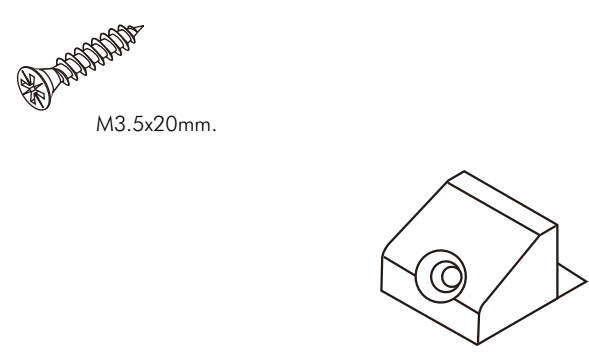


WHEN FITTING CAMS
ENSURE STARTING POSITION IS CORRECT
BEFORE YOU INSERT CONNECTING BOLT
TURN CLOCKWISE UNTIL SECURE

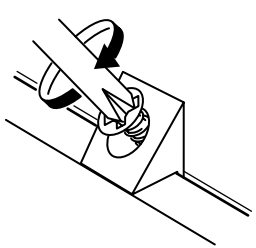


CORRECT

WRONG

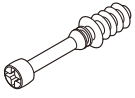


M3.5x20mm.



HARDWARE

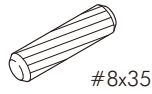
-BODY SET



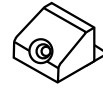
x 4



x 4



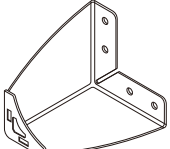
x 8



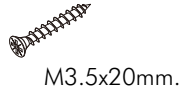
x 8



x 12



x 4



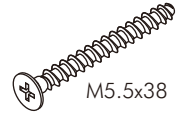
x 8



x 6

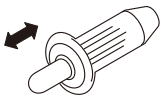


x 16

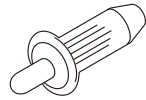


x 4

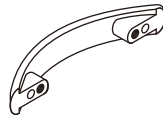
-DOOR SET



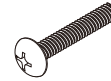
x 2



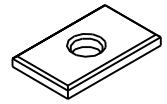
x 2



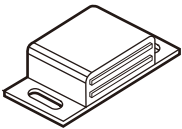
x 2



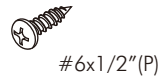
x 4



x 2



x 1



x 2

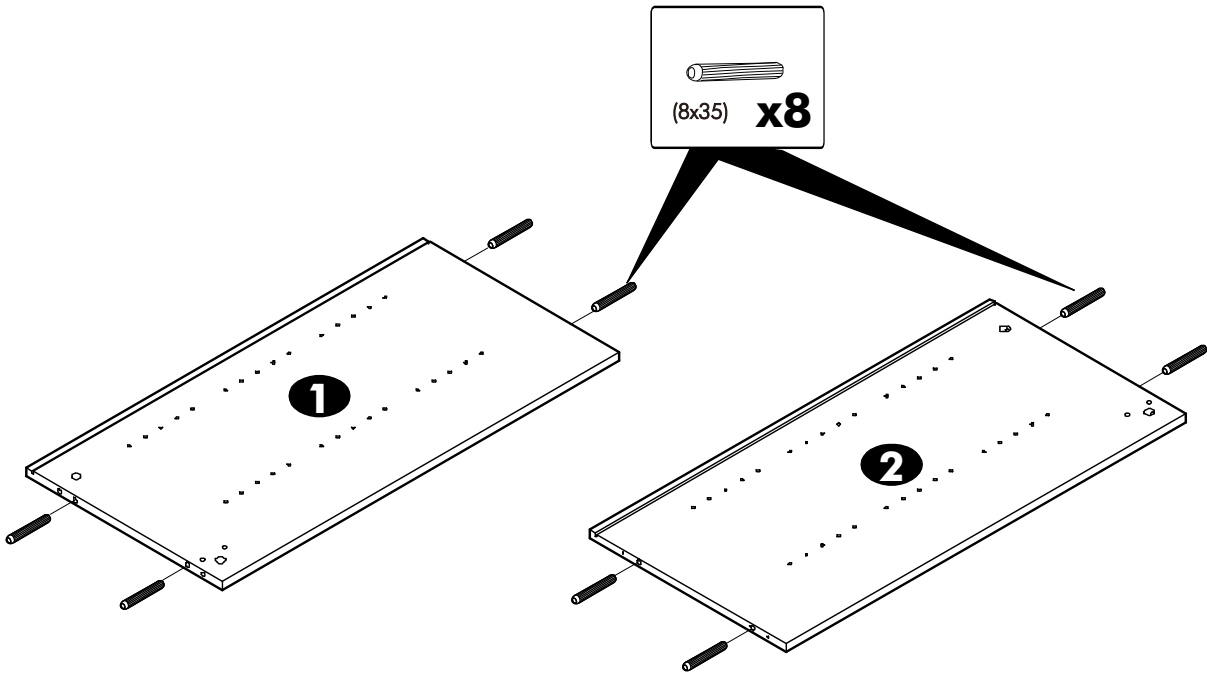


x 2

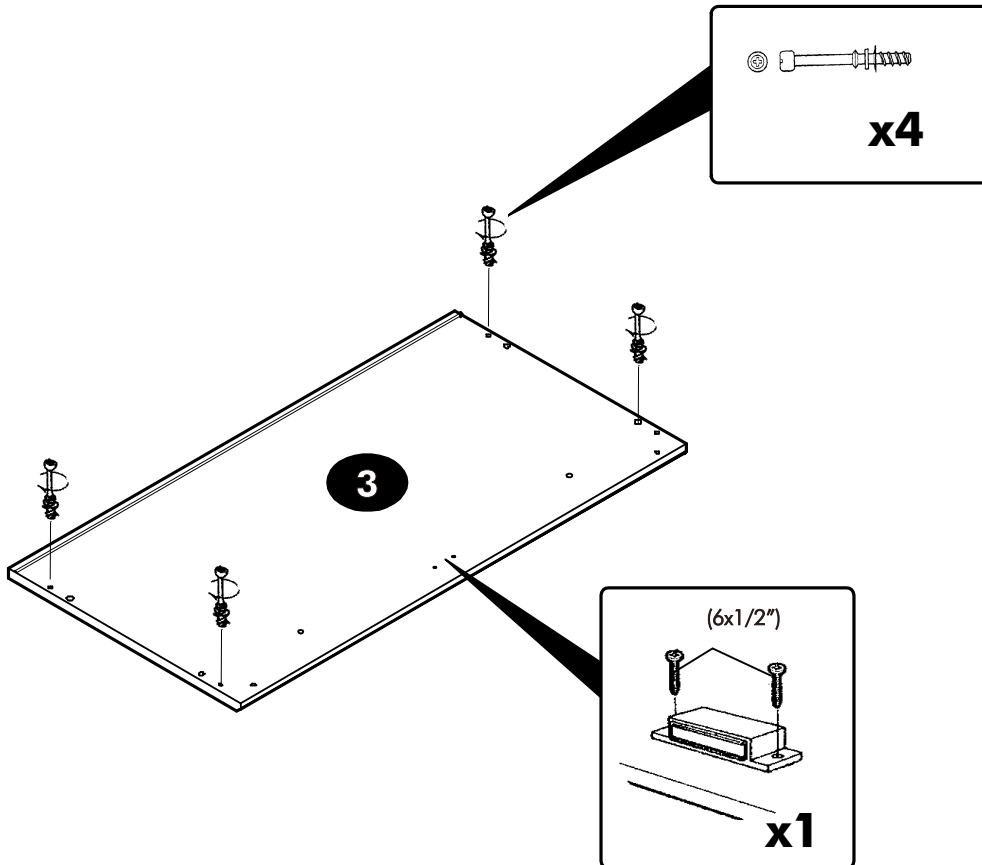
ASSEMBLY

-BODY SET

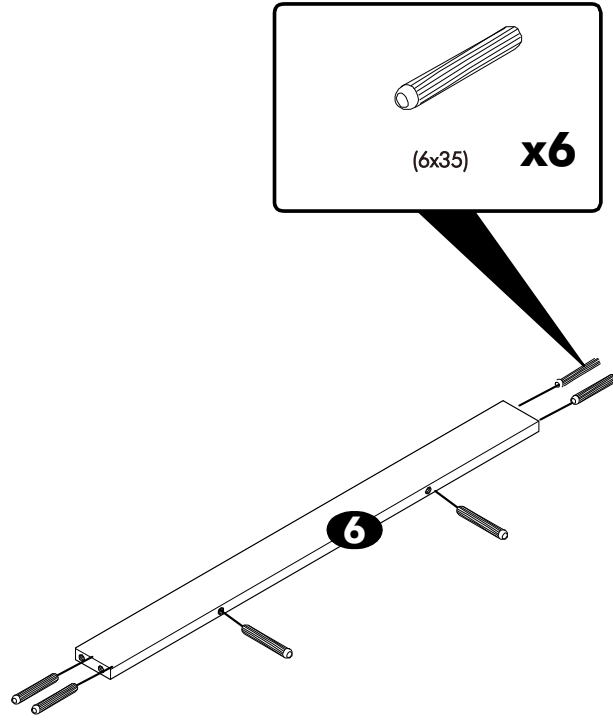
1.



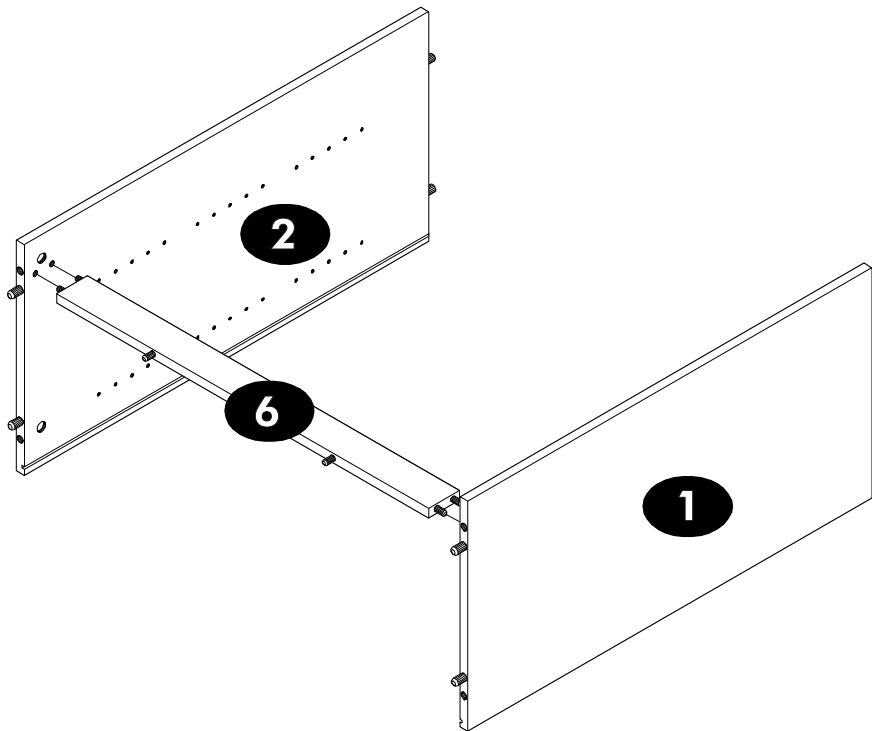
2.



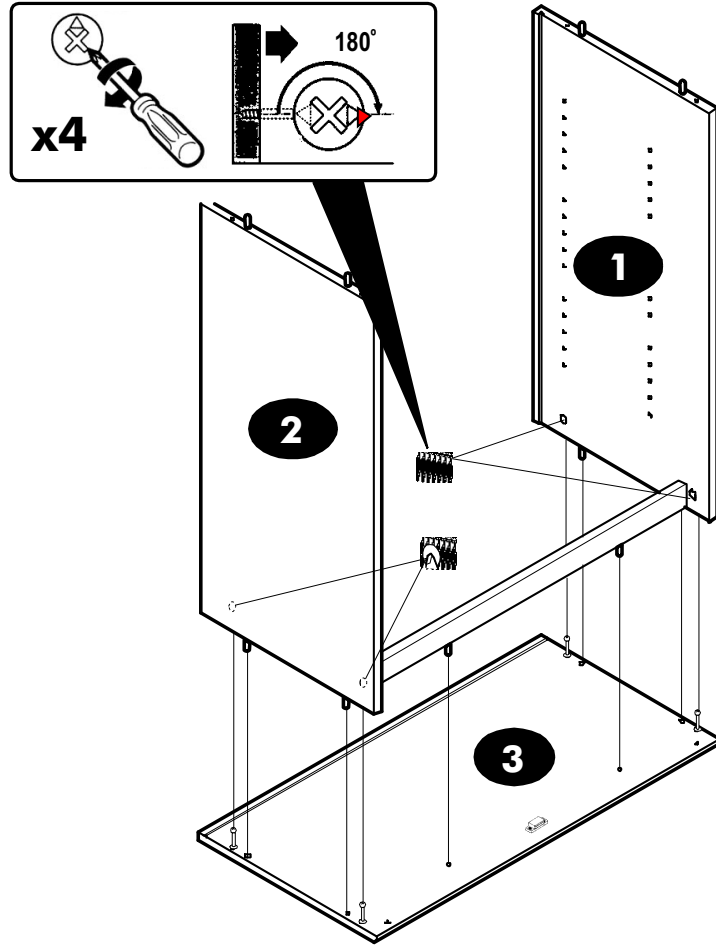
3.



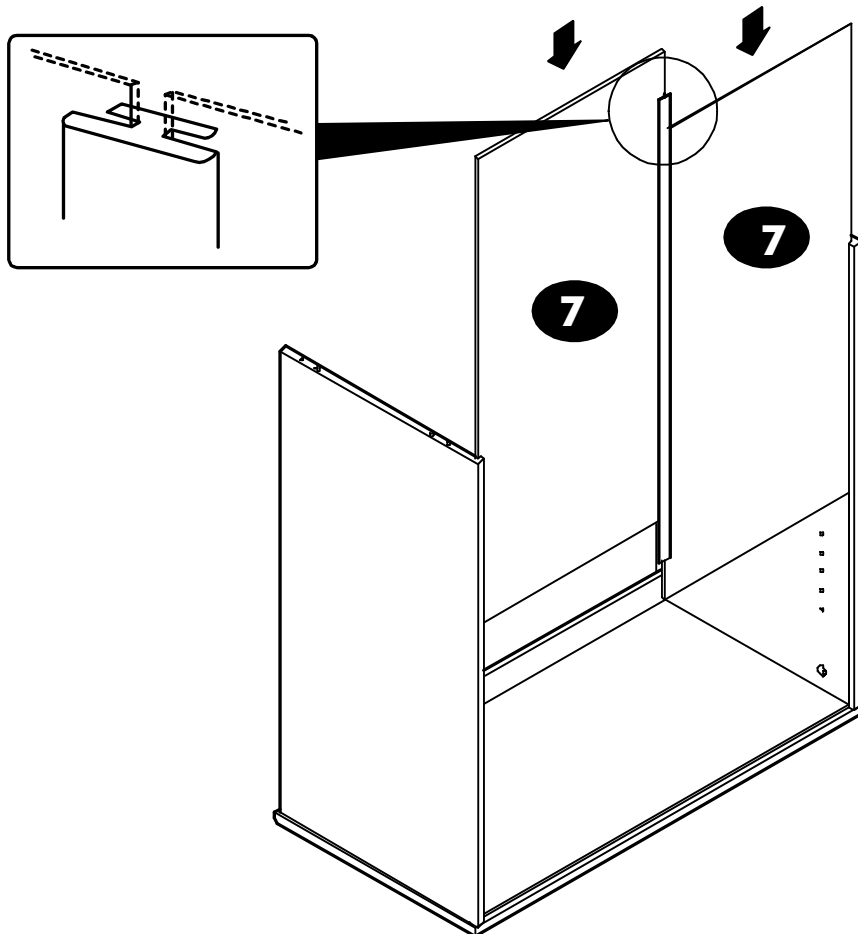
4.



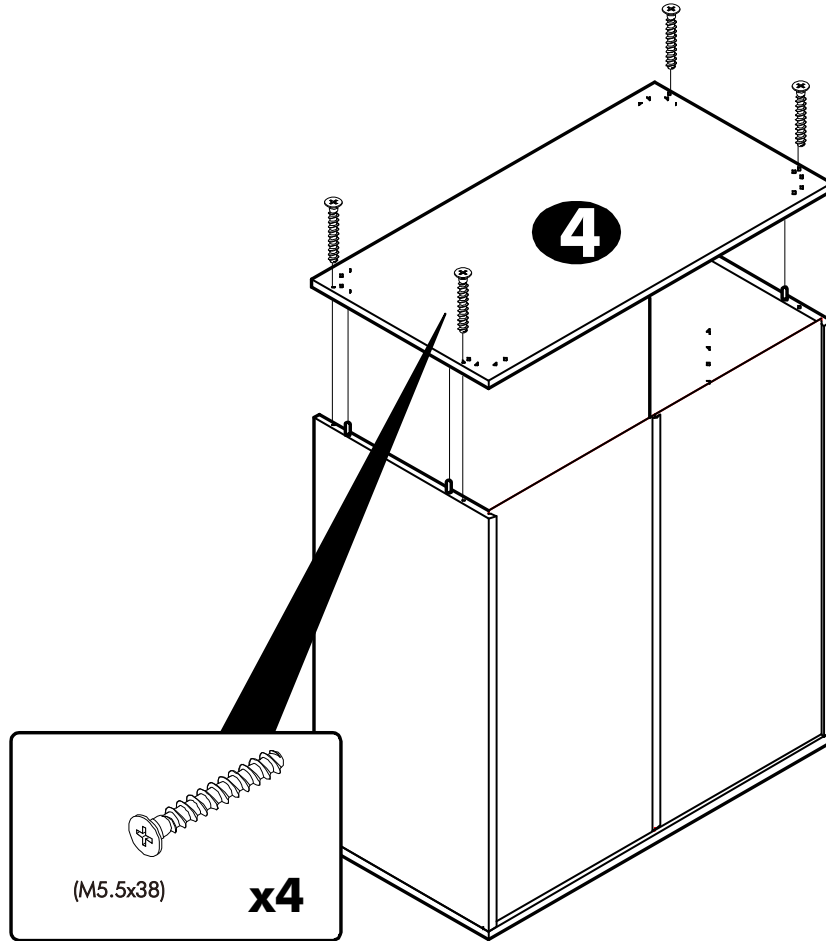
5.



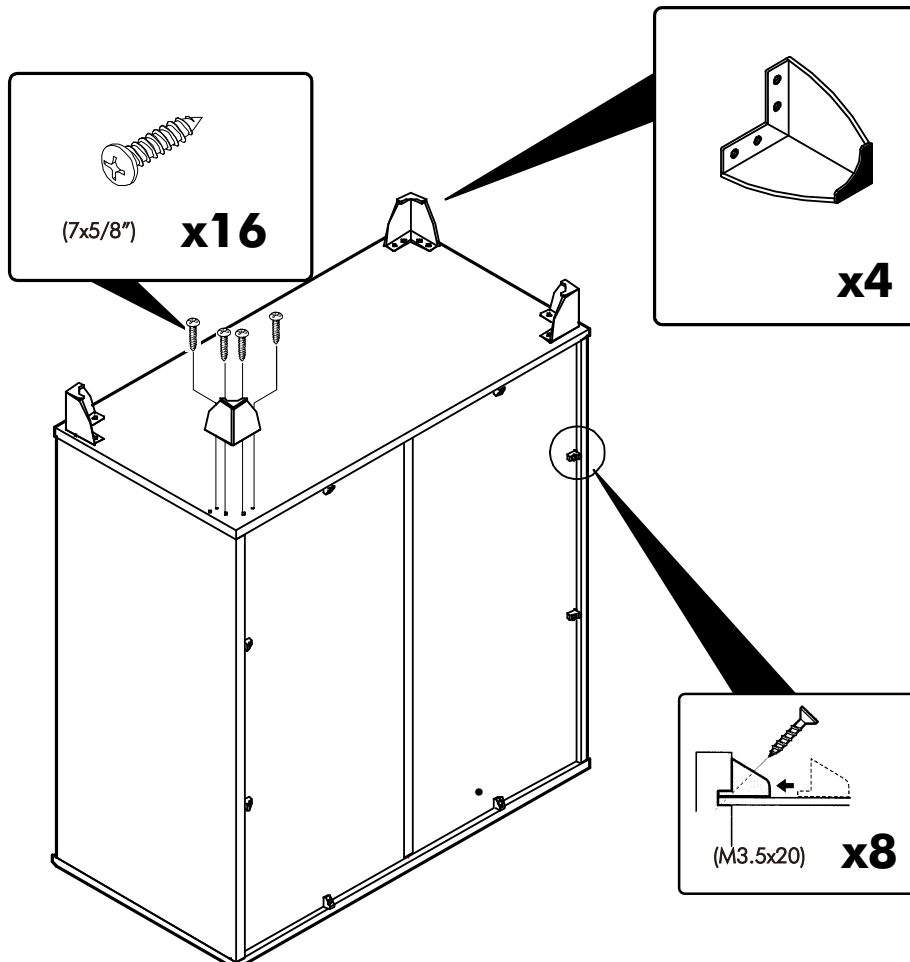
6.



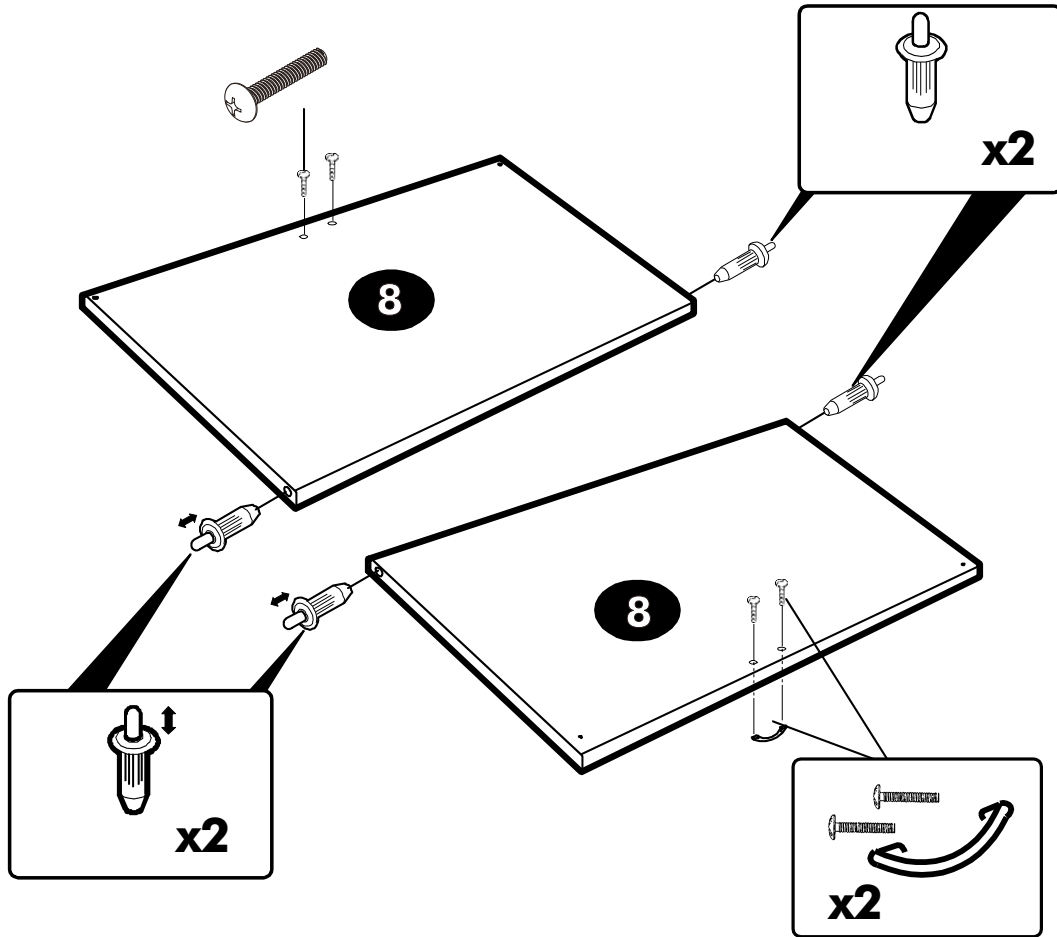
7.



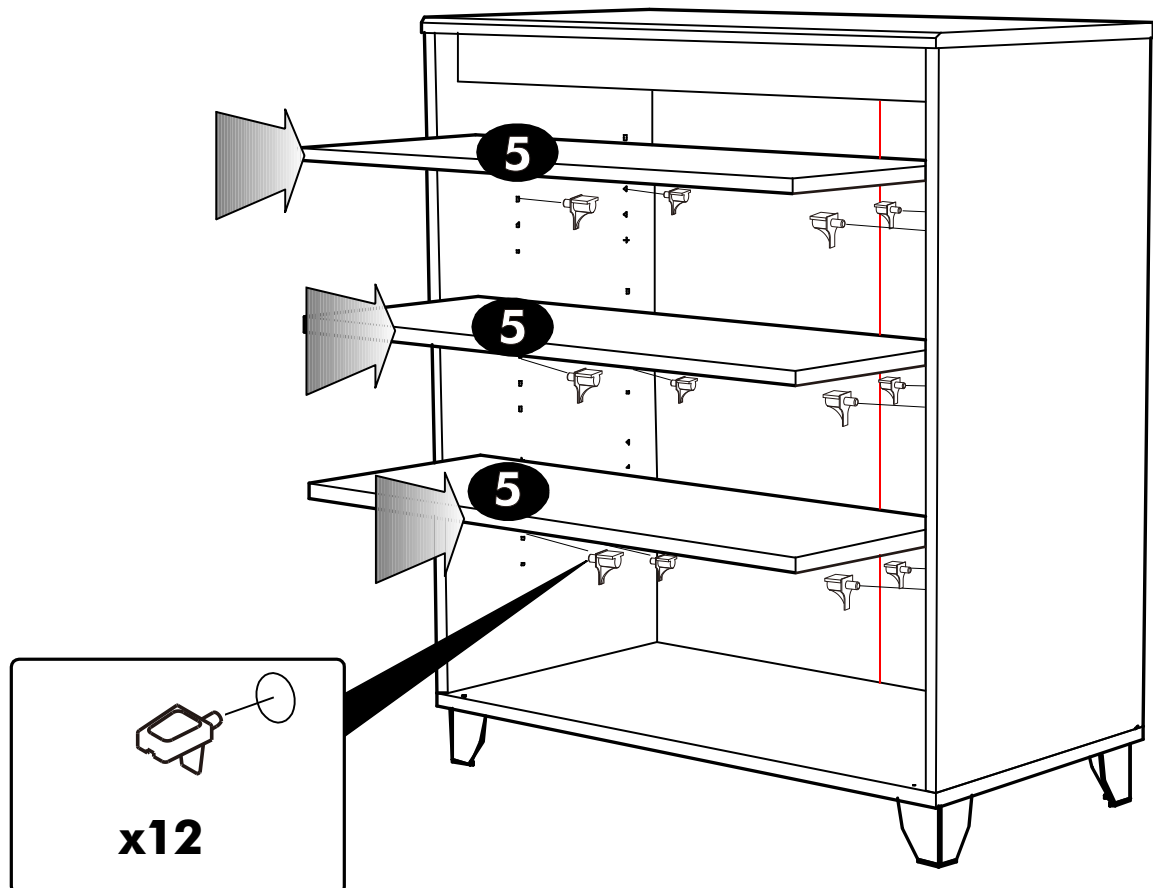
8.



9.



10.



11.

