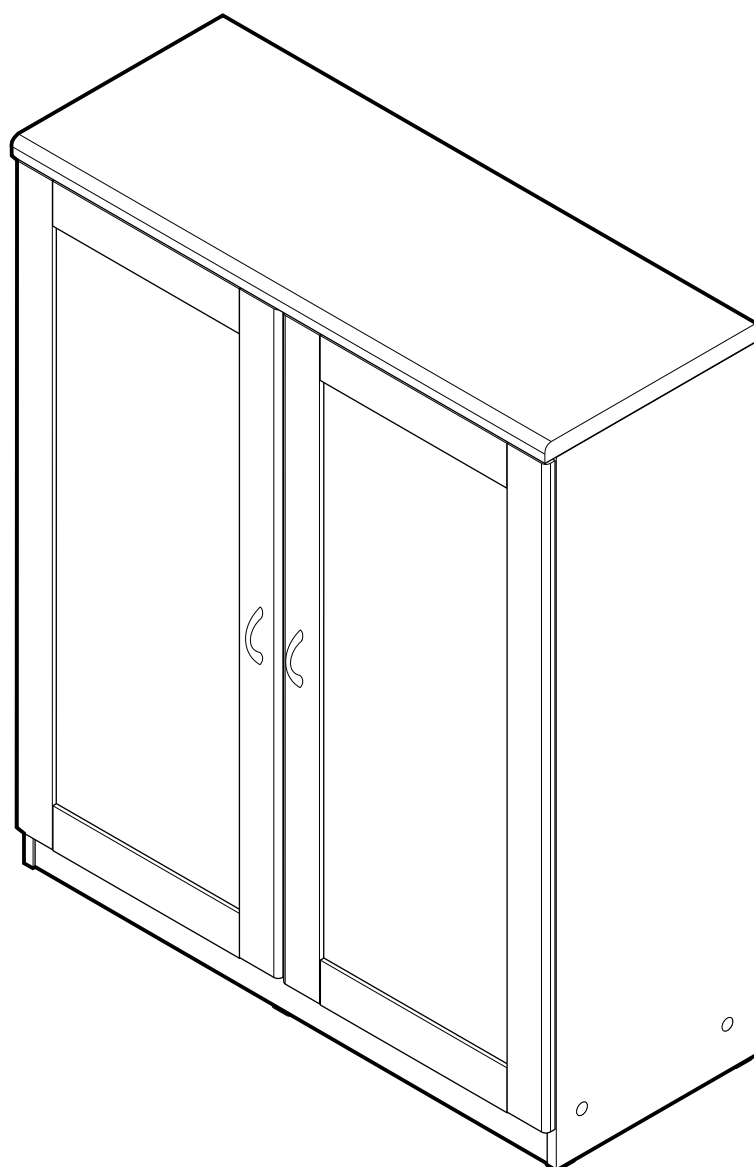
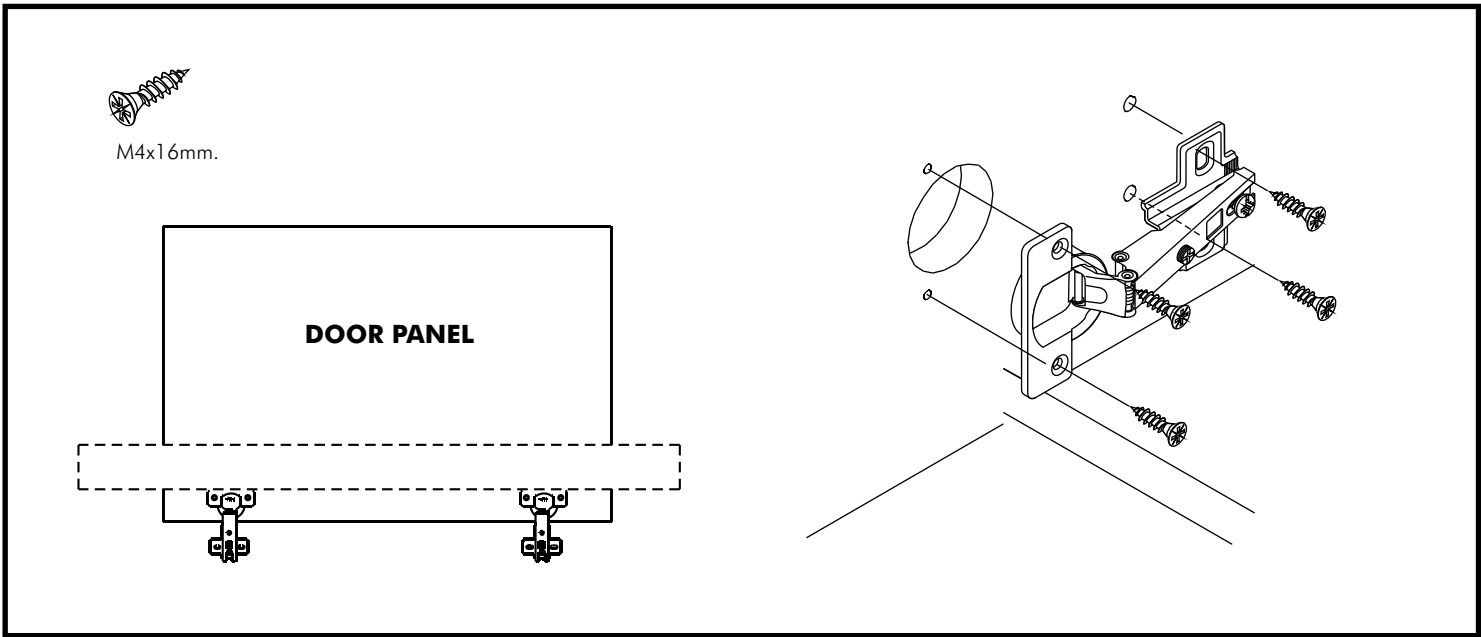
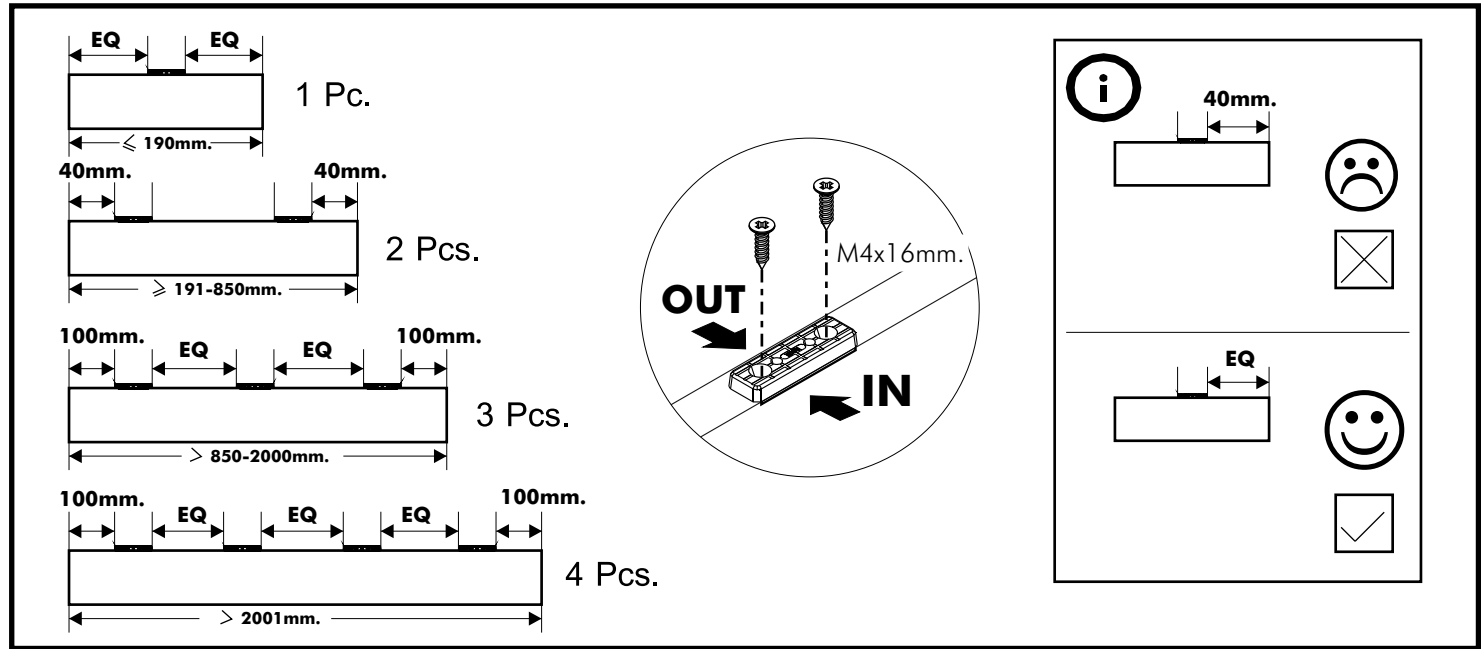


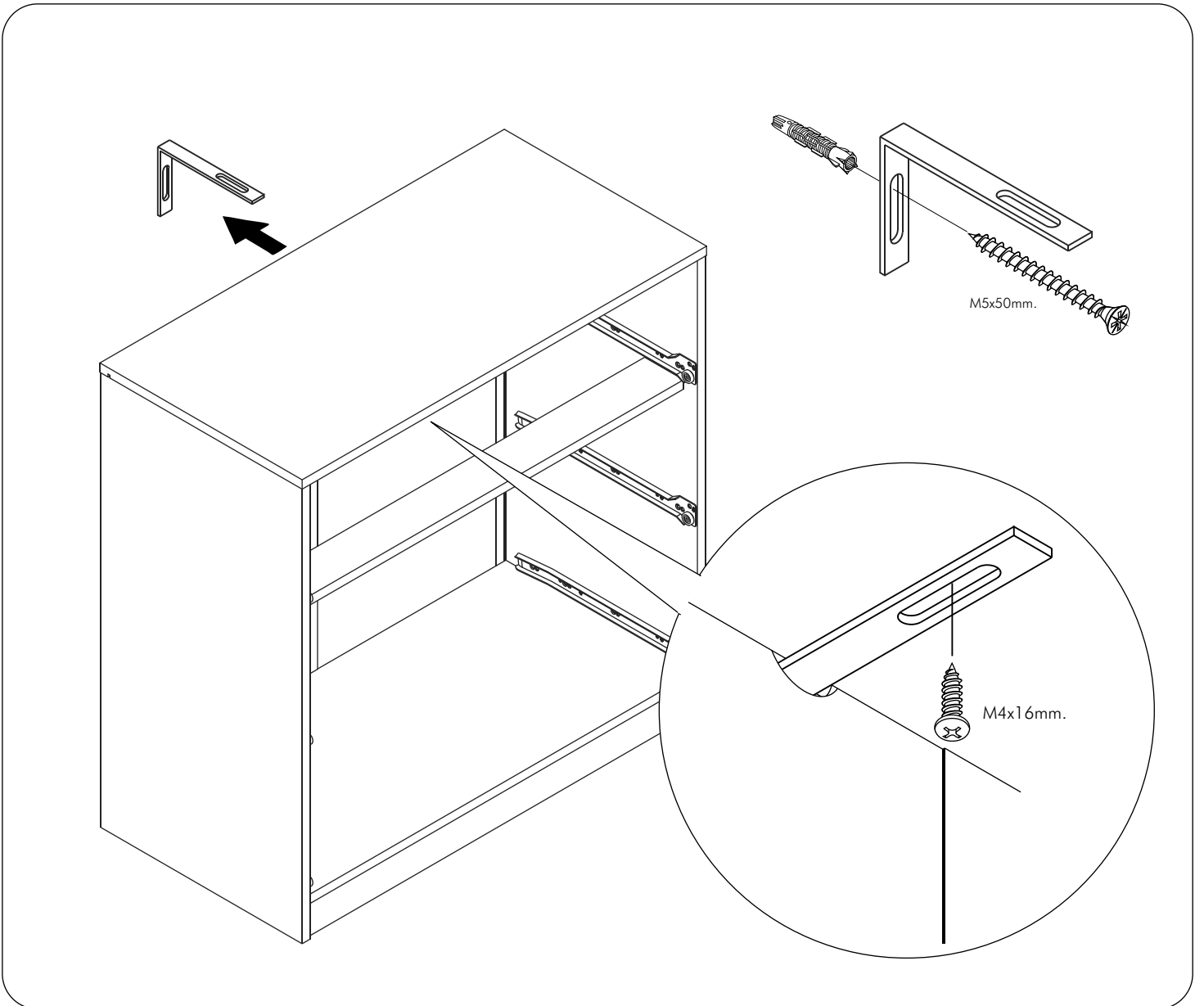
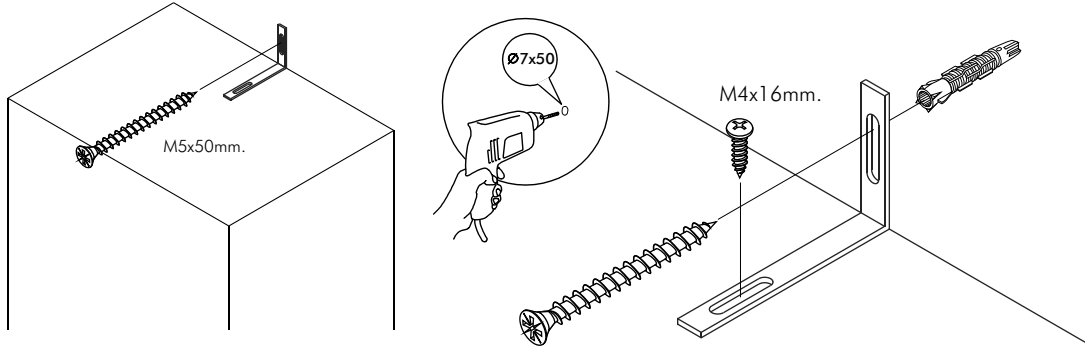
TIMBER-S-P

Shoe cabinet



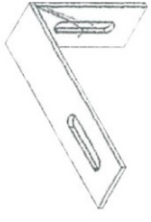
CONNECT SYSTEM



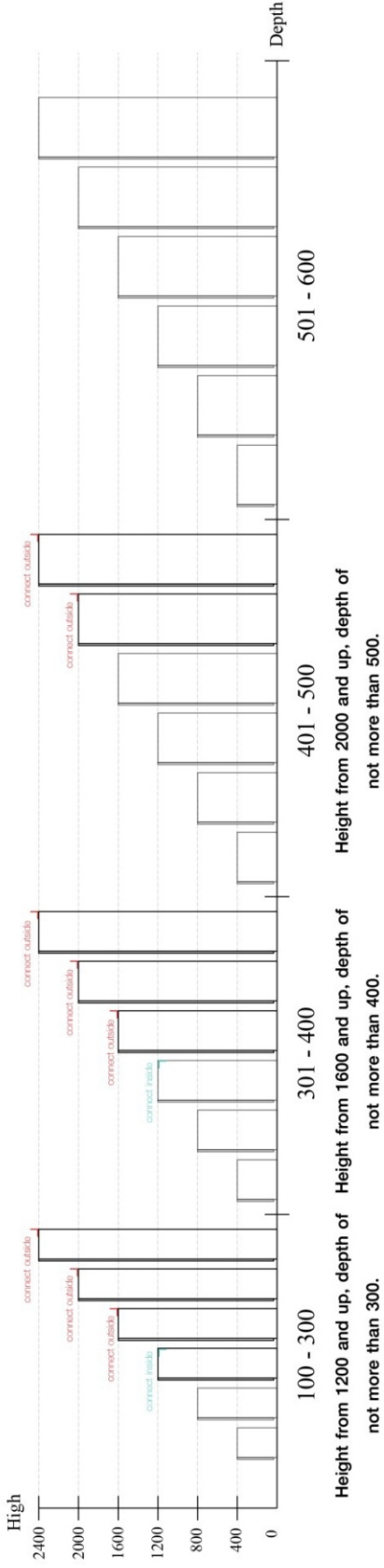


The Standard for identifying which mounted safety fall protection fitting to use **Note : That children's products must be installed with all anti-falling fittings.**

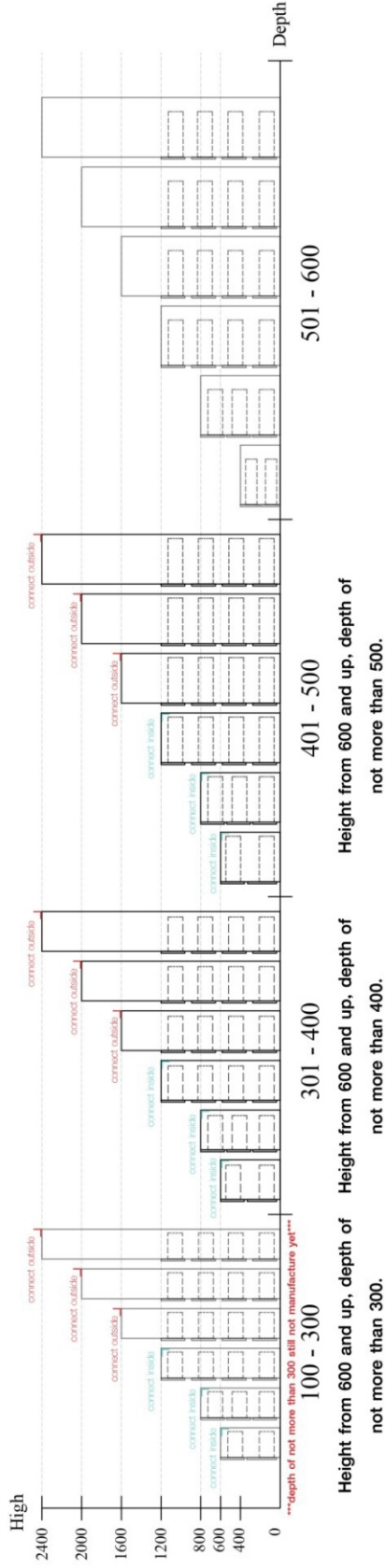
■ Mounted fall protection fittings



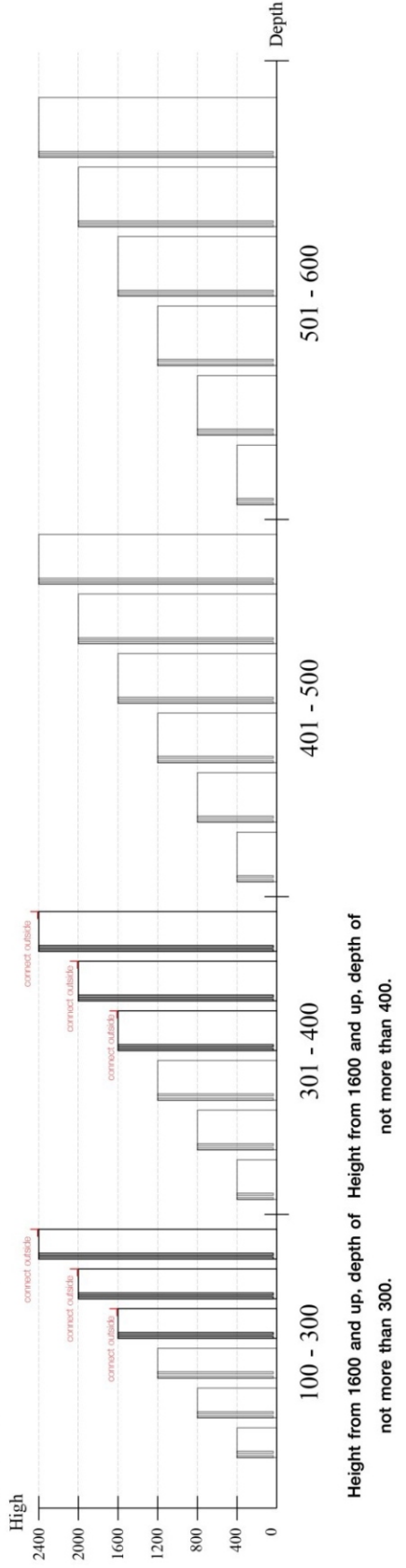
■ Category : Cabinet with open doors



■ Category : Chest of drawers

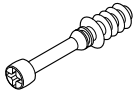


■ Category : Sliding door cabinet / Open cabinet



HARDWARE

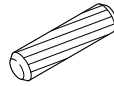
-BODY SET



x 6

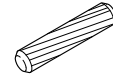


x 6



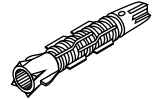
8x35mm.

x 12

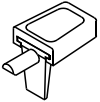


6x35mm.

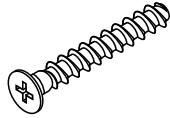
x 18



x 1



x 40



M5.5x38

x 6



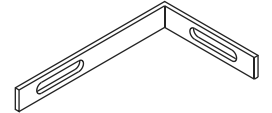
5x5/8"

x 8

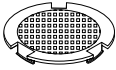


M4x16mm.

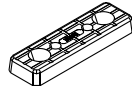
x 10



x 1



x 4



x 5



x 4



M4x16mm.

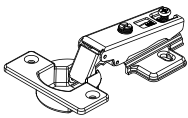
x 1



M5x50mm.

x 1

-DOOR SET



x 4

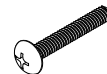


M4x16mm.

x 16



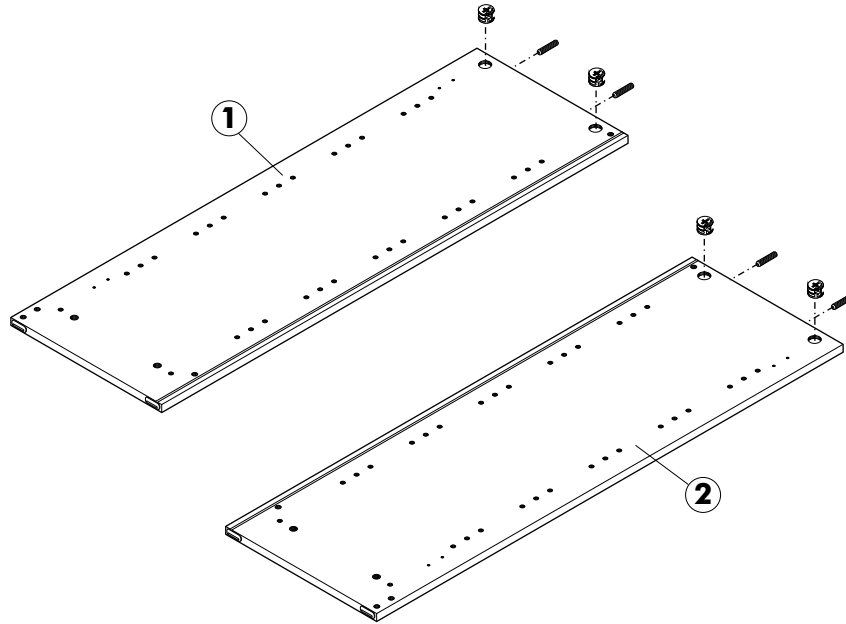
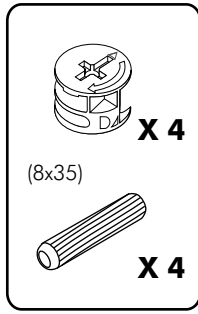
x 2



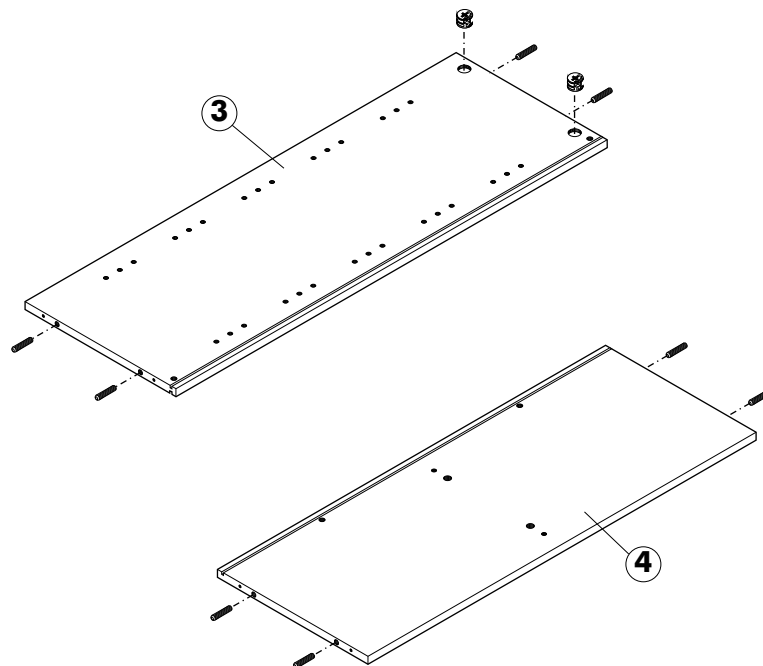
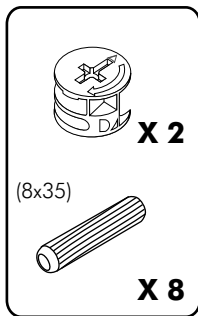
M4x25 mm.

x 4

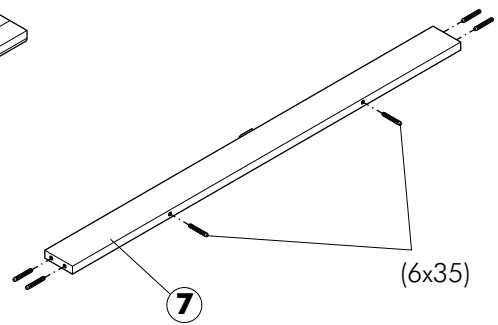
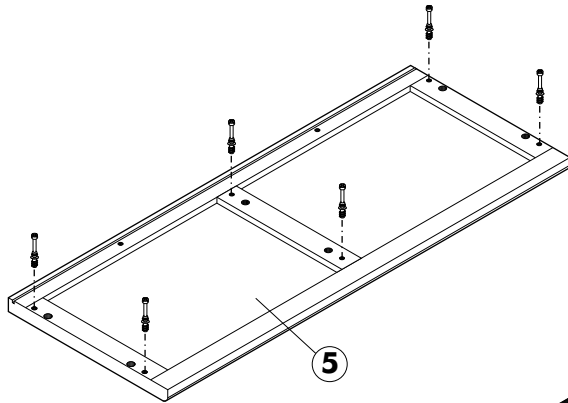
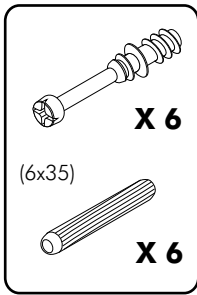
1.



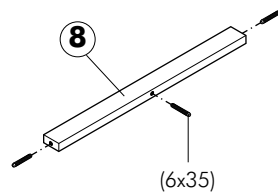
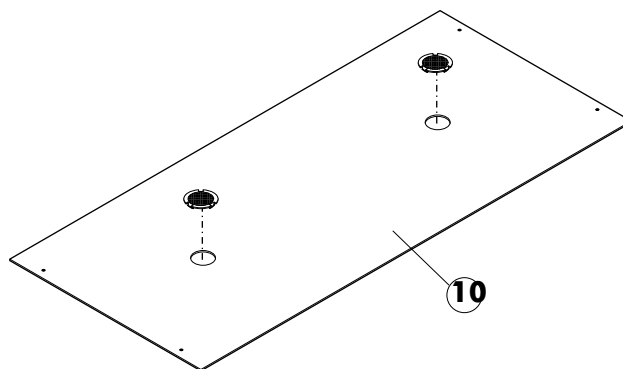
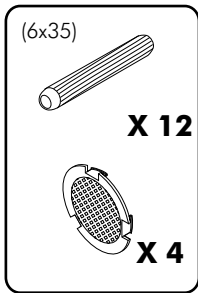
2.



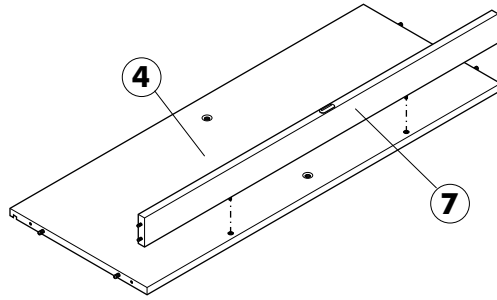
3.



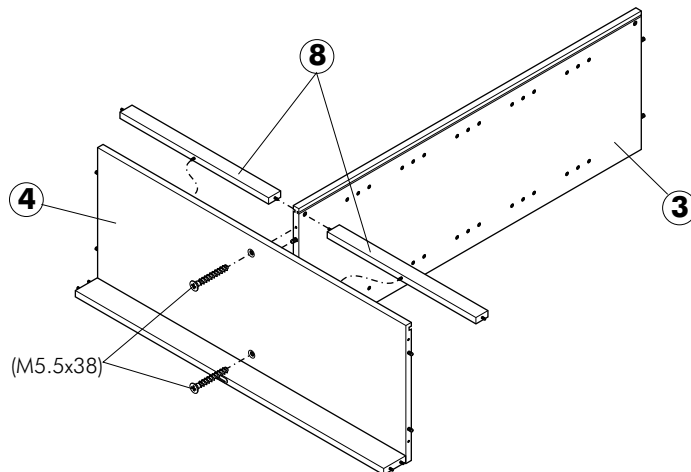
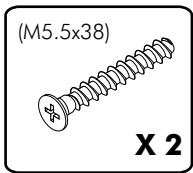
4.



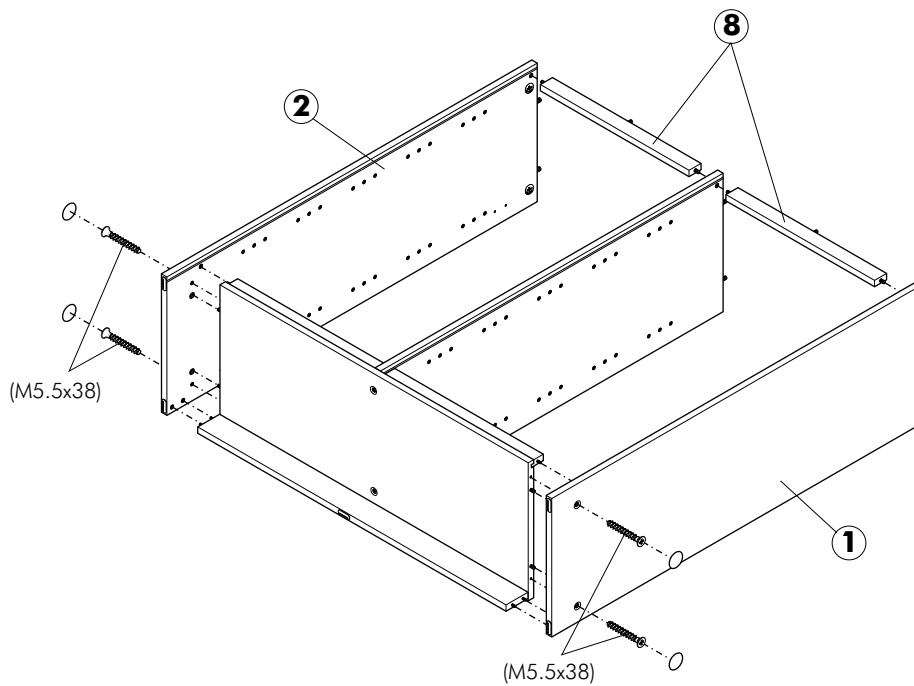
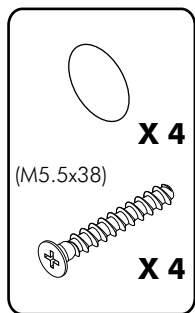
5.



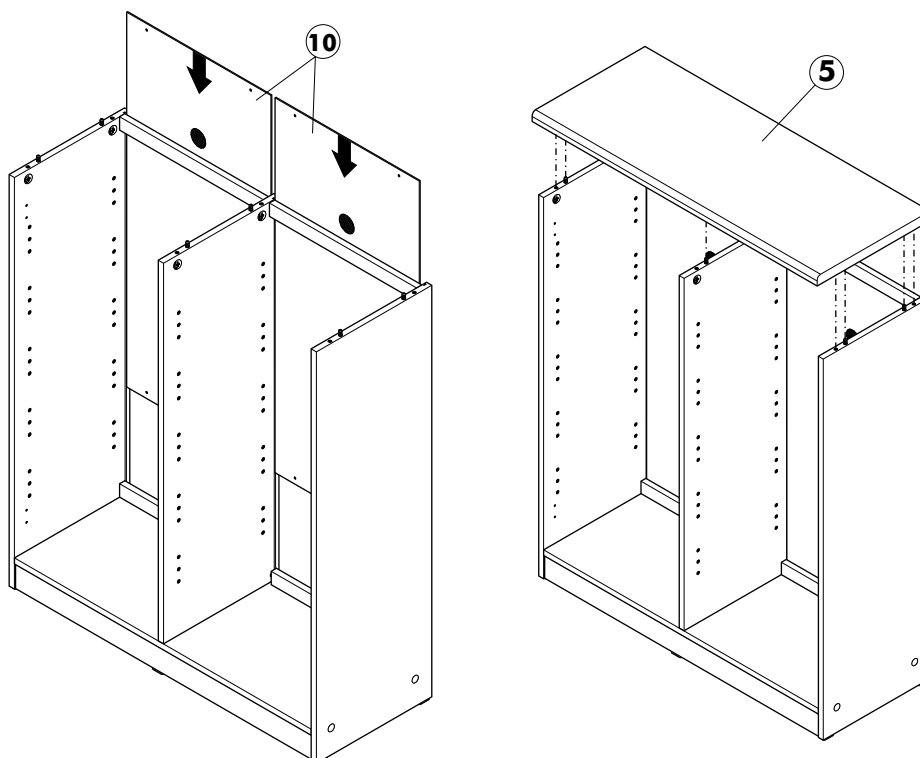
6.



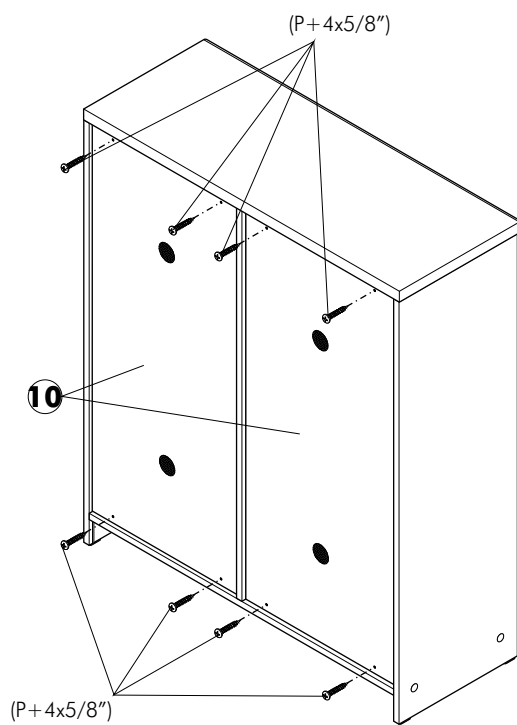
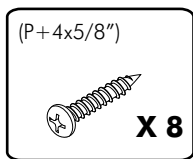
7.



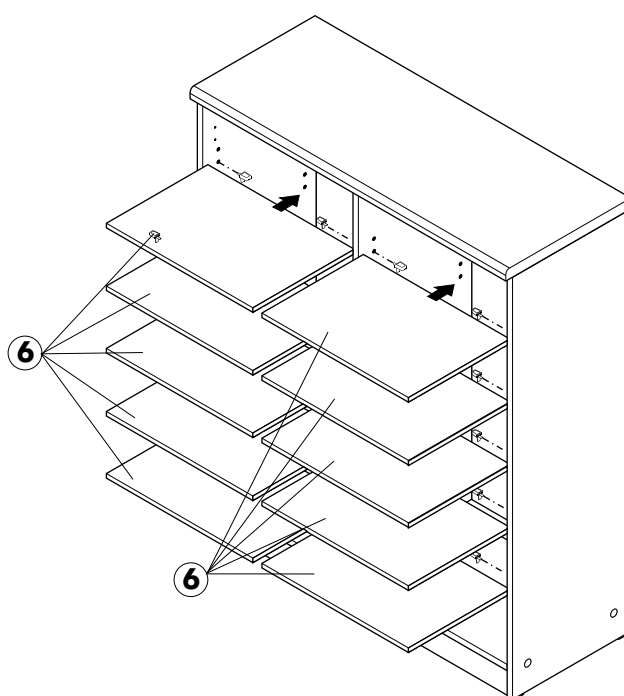
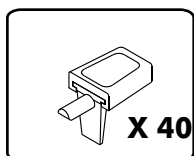
8.



9.



10.



11.

