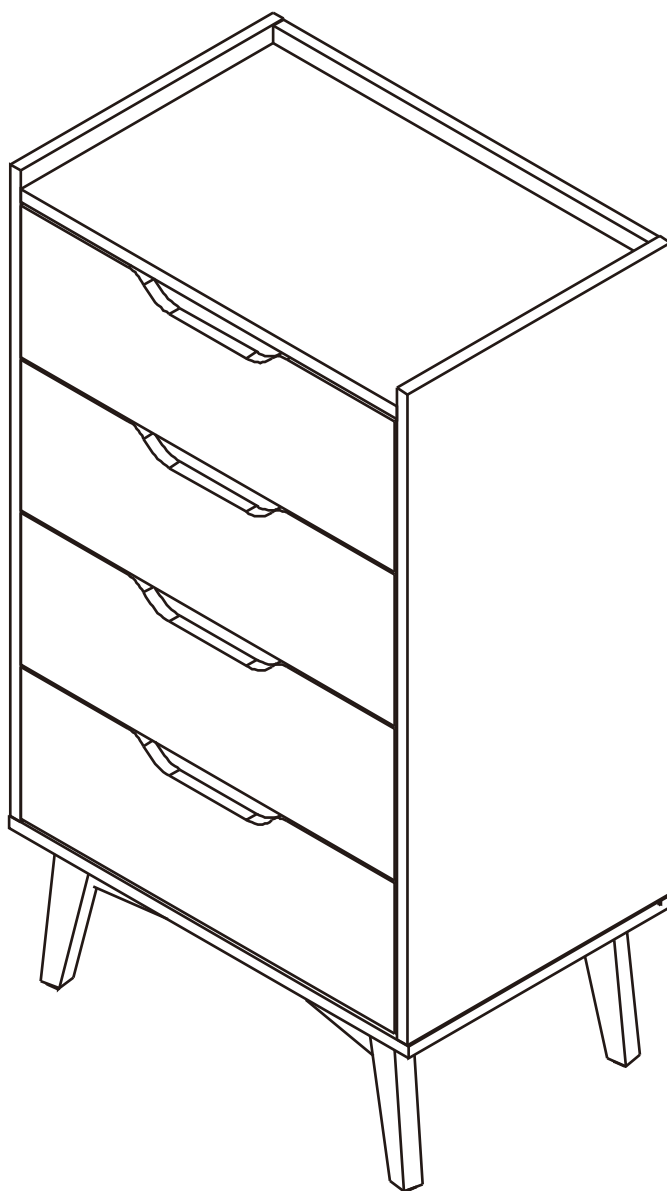


KARLMAR-P

Chest 4 drawers



CONNECT SYSTEM

1

3

2

(Connecting bolts)

WHEN FITTING CAMS
 ENSURE STARTING POSITION IS CORRECT
 BEFORE YOU INSERT CONNECTING BOLT
 TURN CLOCKWISE UNTIL SECURE

✓

↑

CORRECT

✗

↓

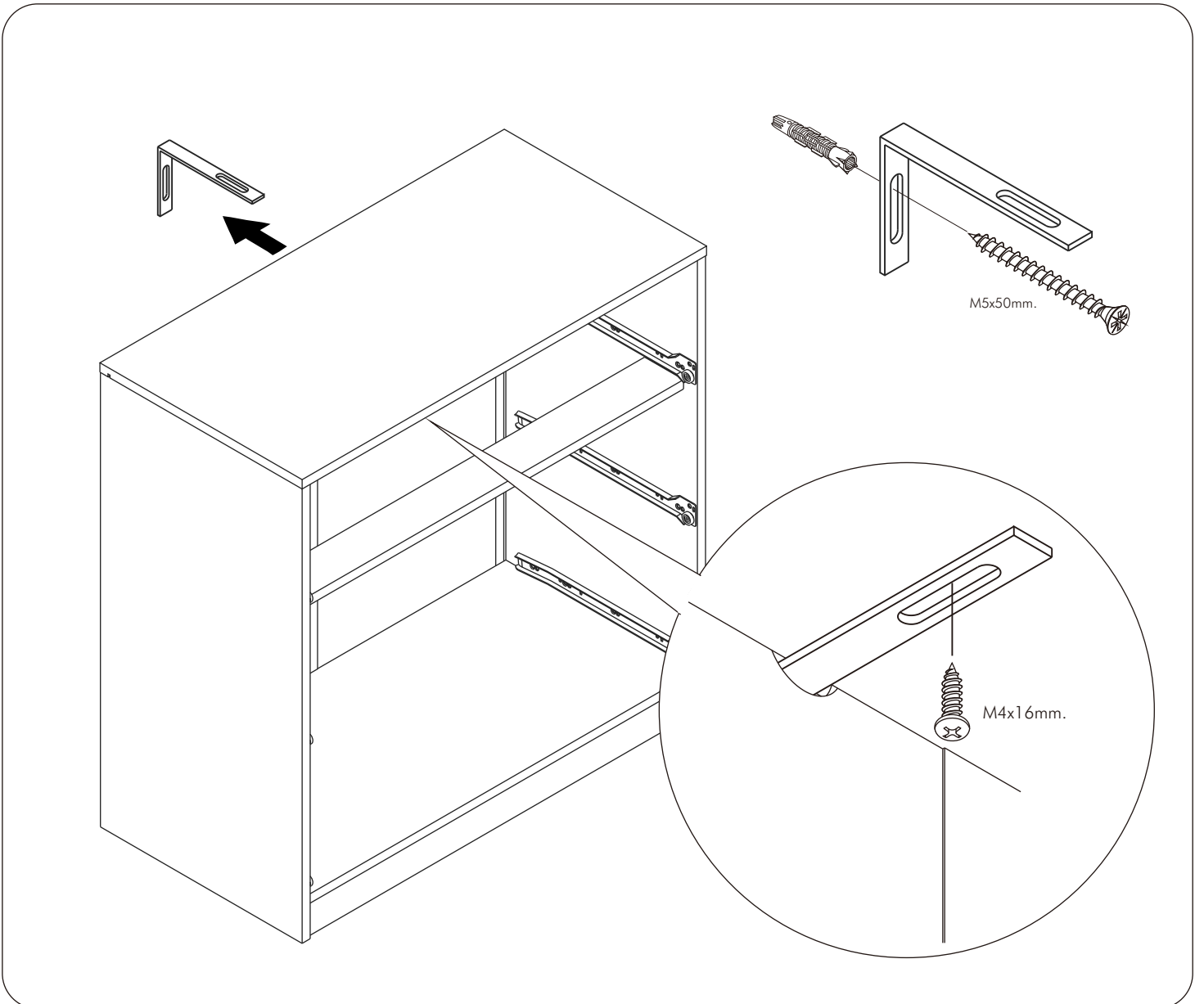
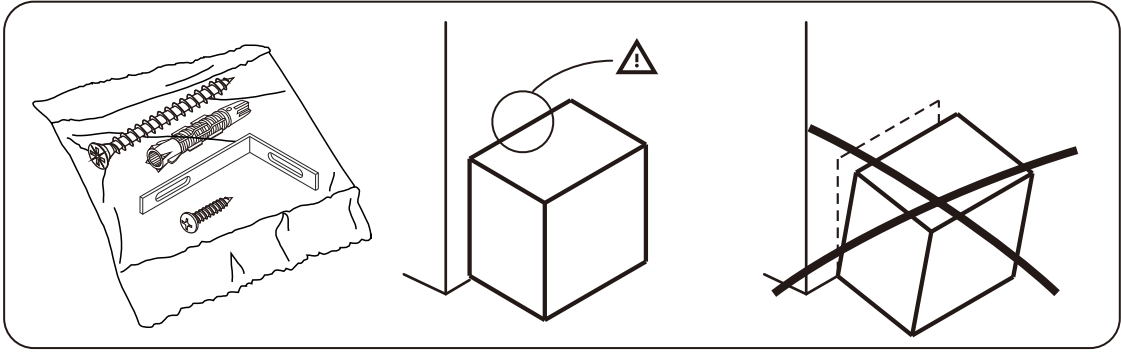
WRONG

1

M3.5x13mm.

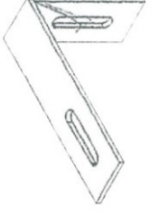
2

M3.5x13mm.

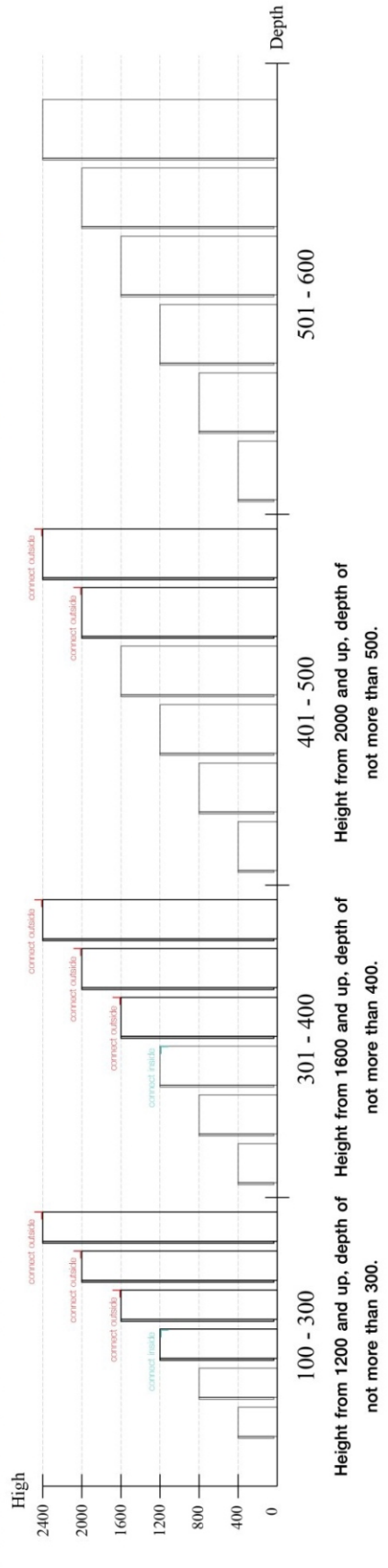


The Standard for identifying which mounted safety fall protection fitting to use **Note : That children's products must be installed with all anti-falling fittings.**

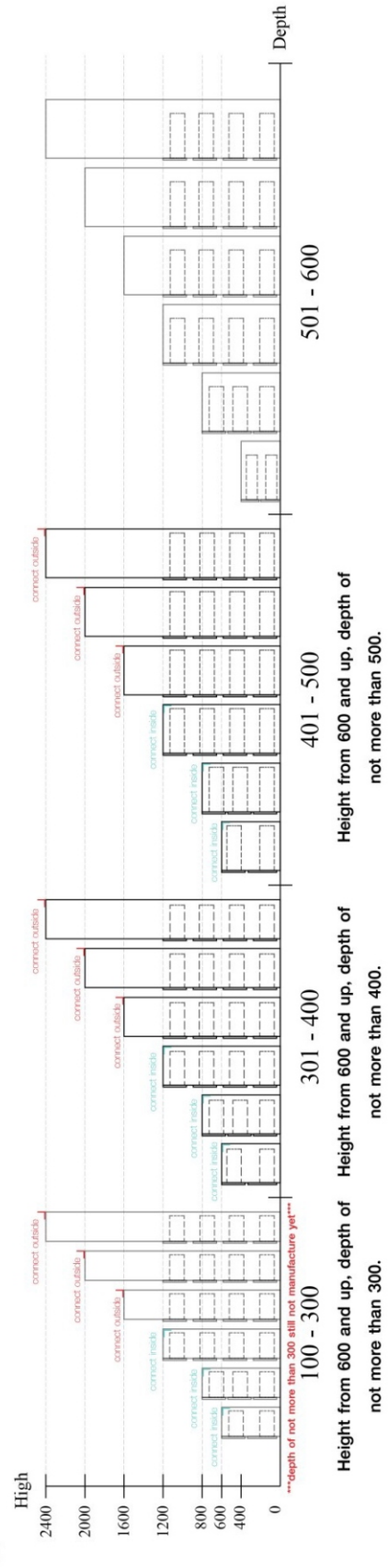
■ Mounted fall protection fittings



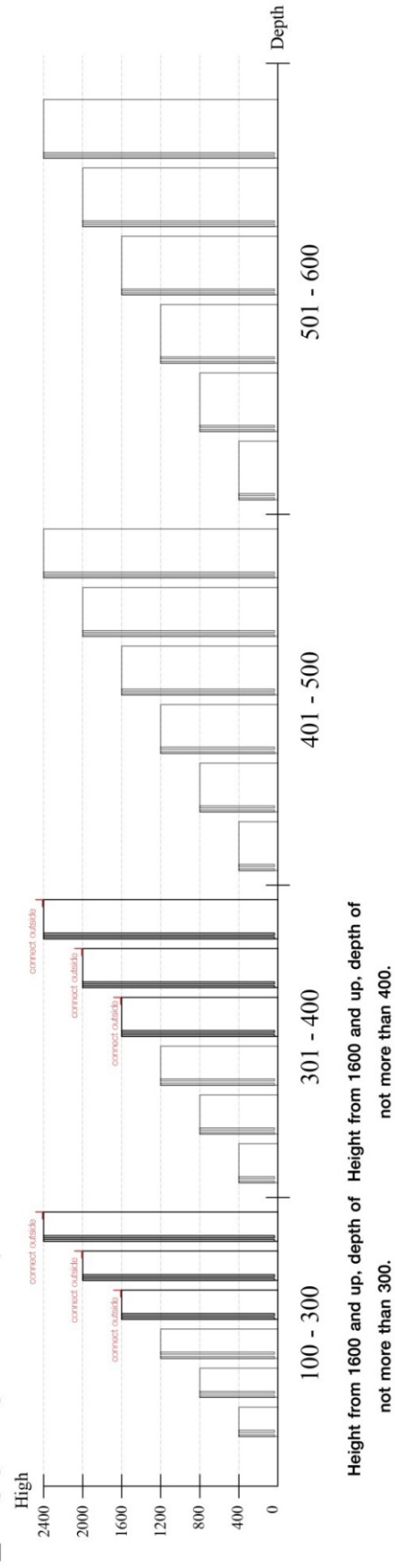
■ Category : Cabinet with open doors



■ Category : Chest of drawers

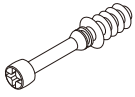


■ Category : Sliding door cabinet / Open cabinet



HARDWARE

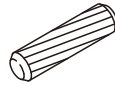
-BODY SET



x 8

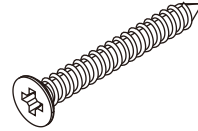


x 8



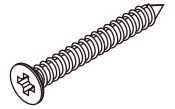
8x35mm.

x 12



M4x50mm.

x 7

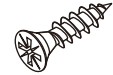


M4x30mm.

x 8

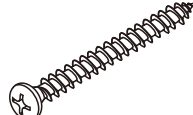


x 2



M4x16mm.

x 4



M4x50mm.

x 4



x 6



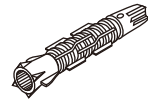
M3.5x20mm.

x 6

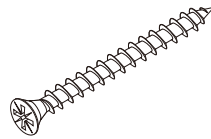


M4x16mm.

x 21

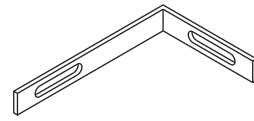


x 1



M5x50mm.

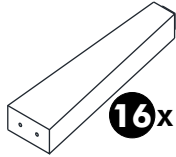
x 1



x 1

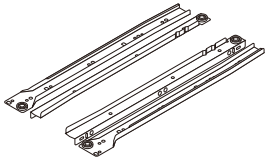


24x4



16x4

-DRAWER SET

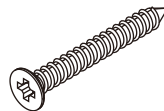


x 4



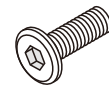
M3.5x13mm.

x 56



M4x40mm.

x 40

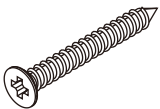


M6x23mm.

x 20



x 1



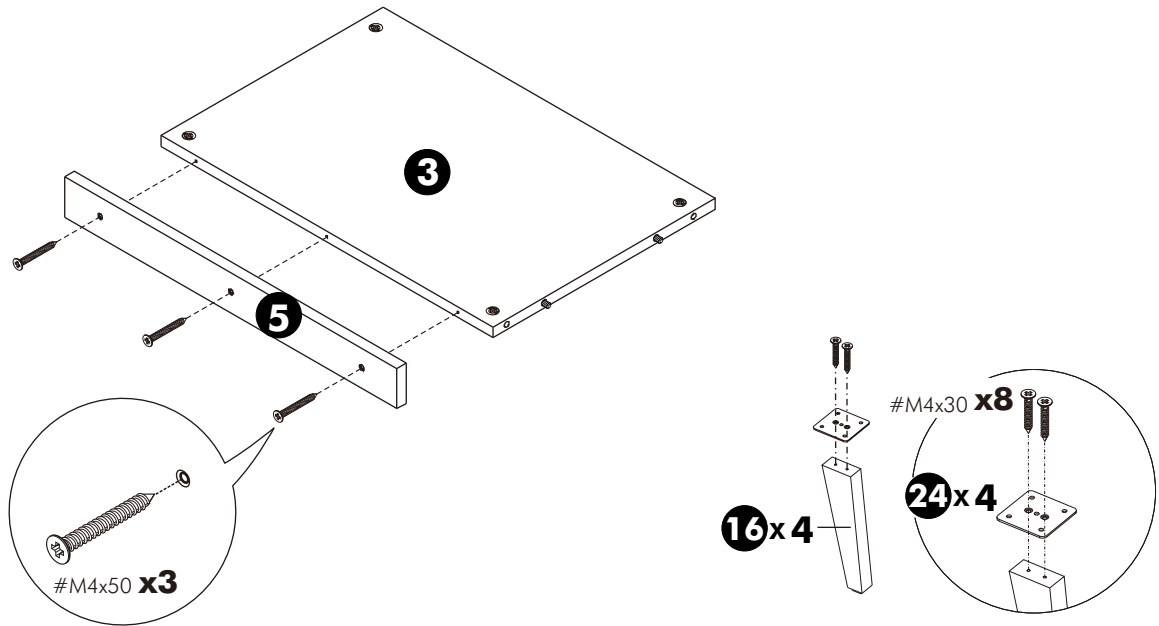
M4x30mm.

x 12

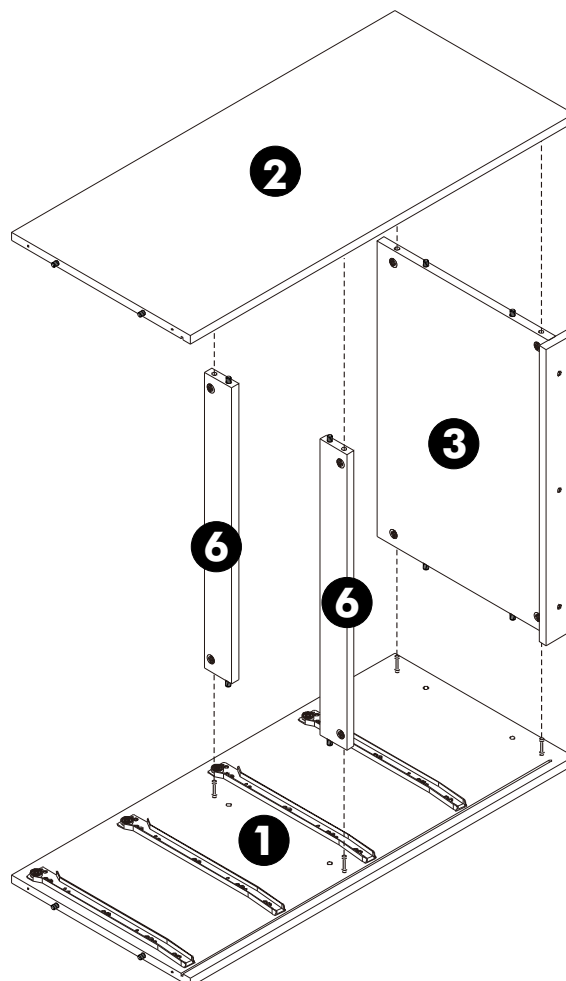
ASSEMBLY

-BODY SET

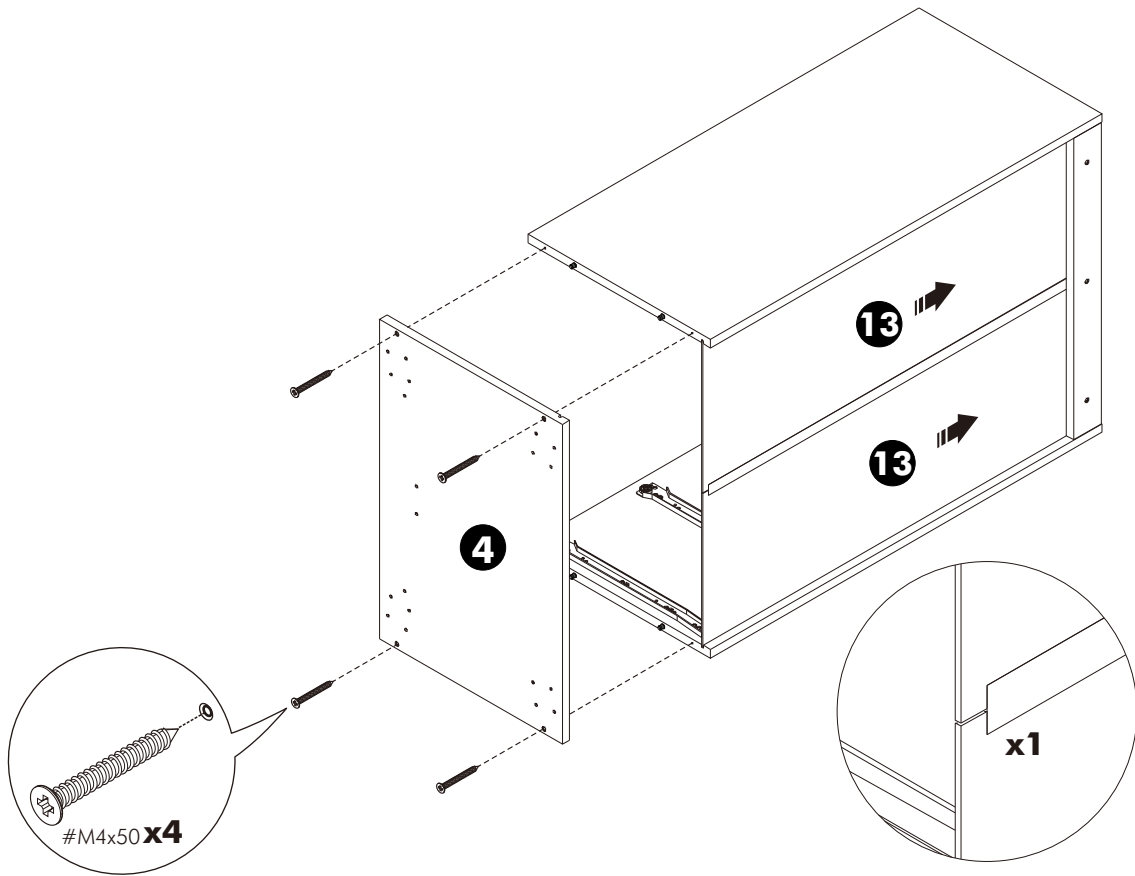
1.



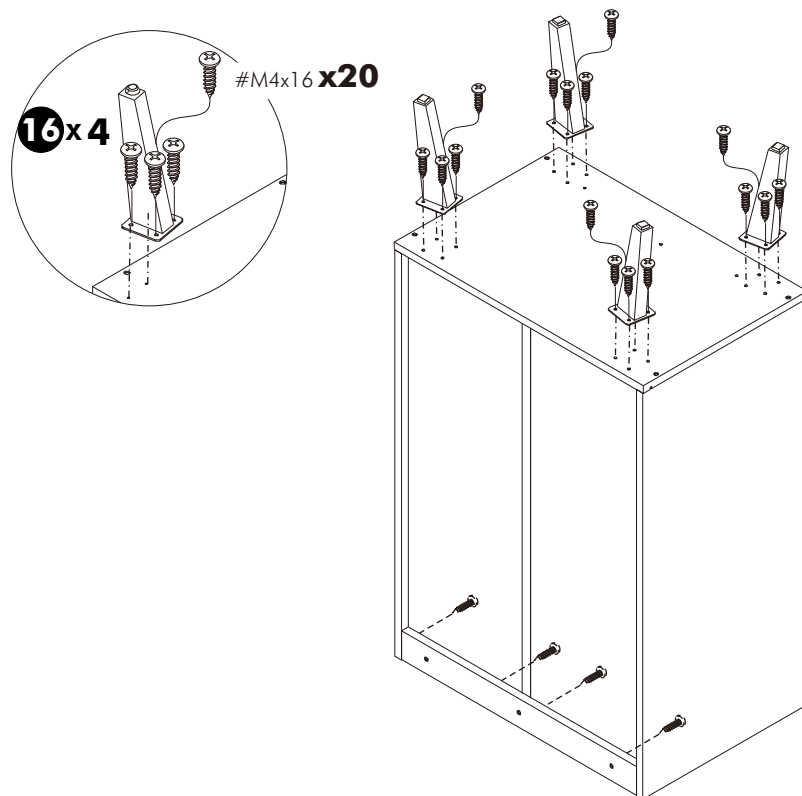
2.



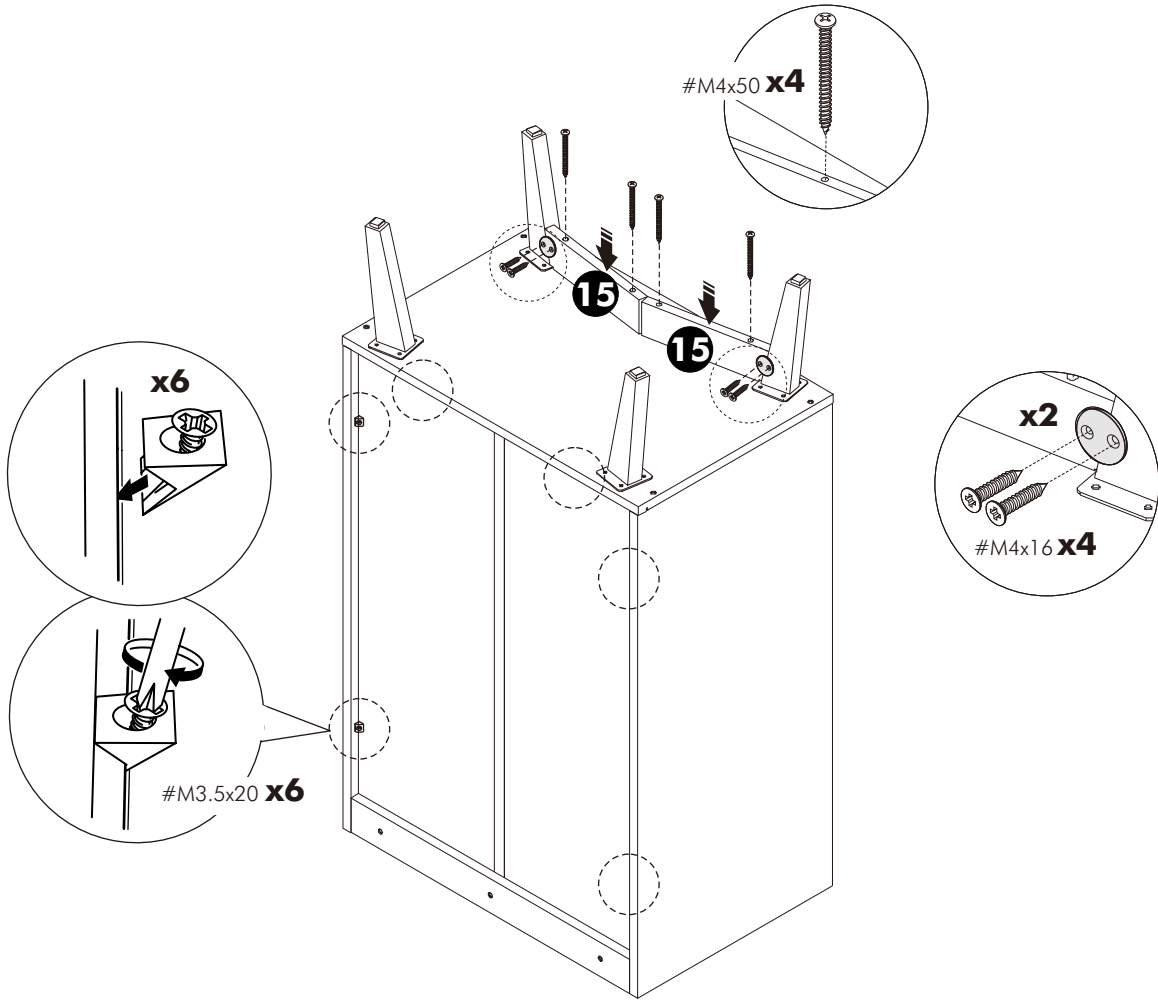
3.



4.



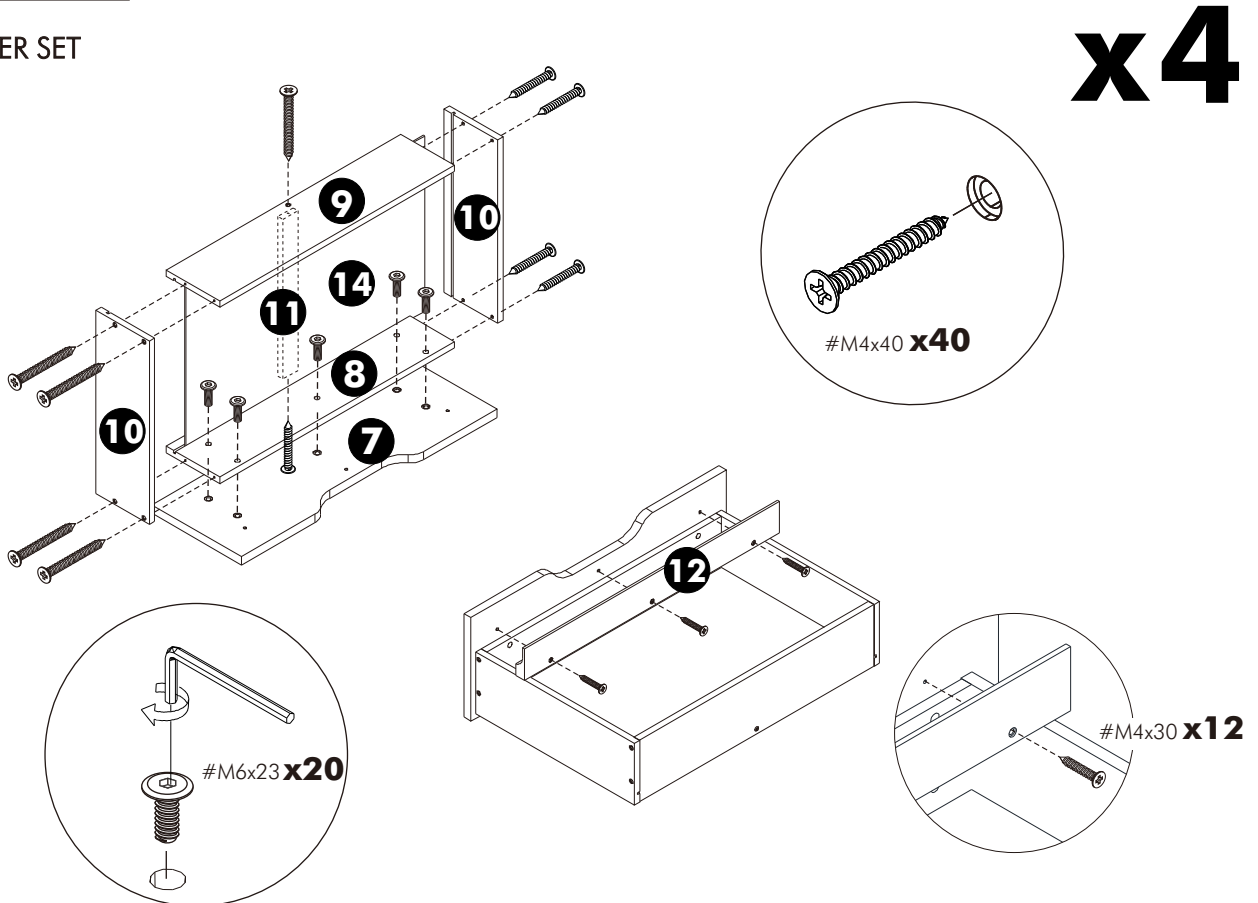
5.



ASSEMBLY

-DRAWER SET

6.



7.

