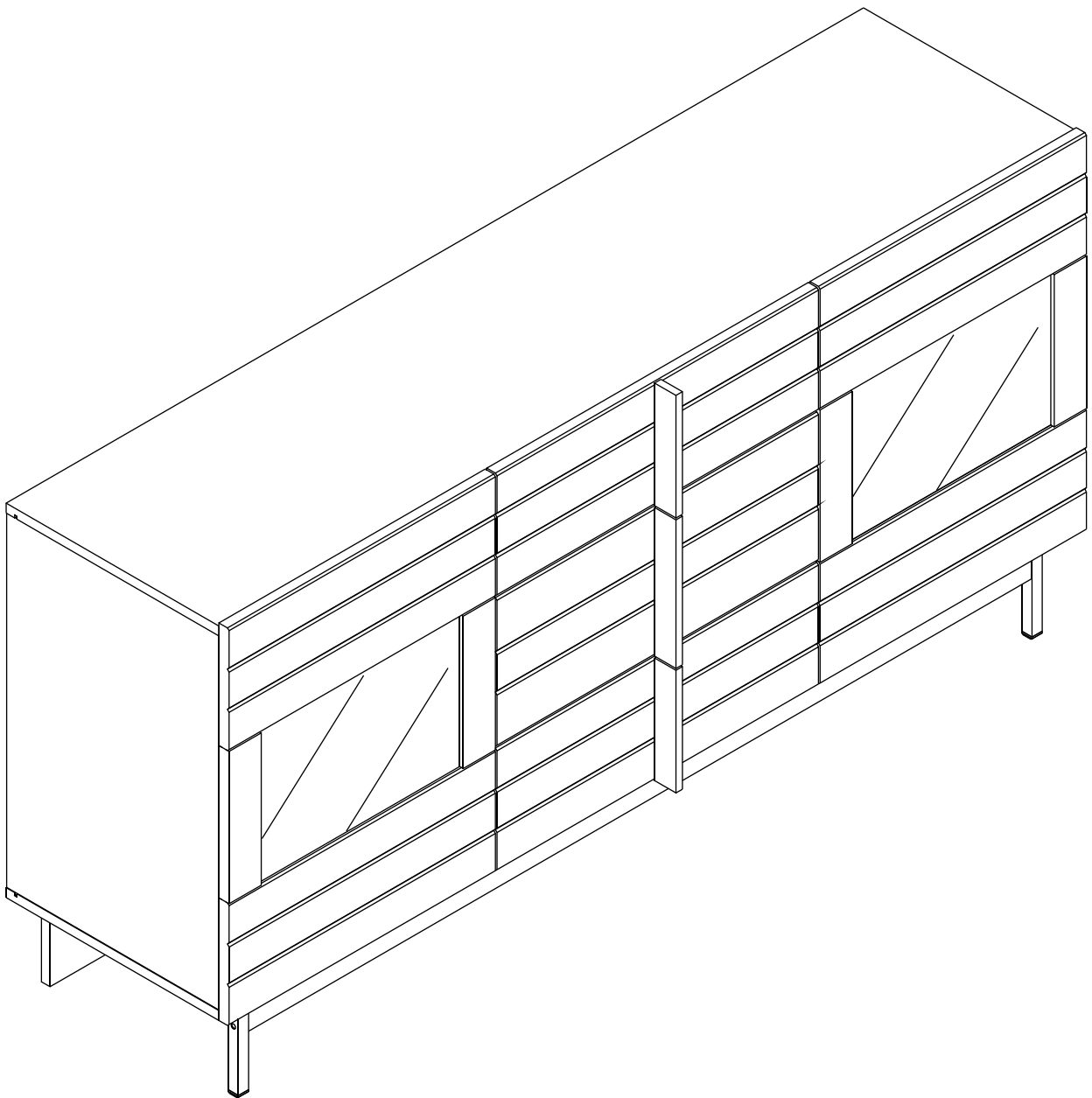
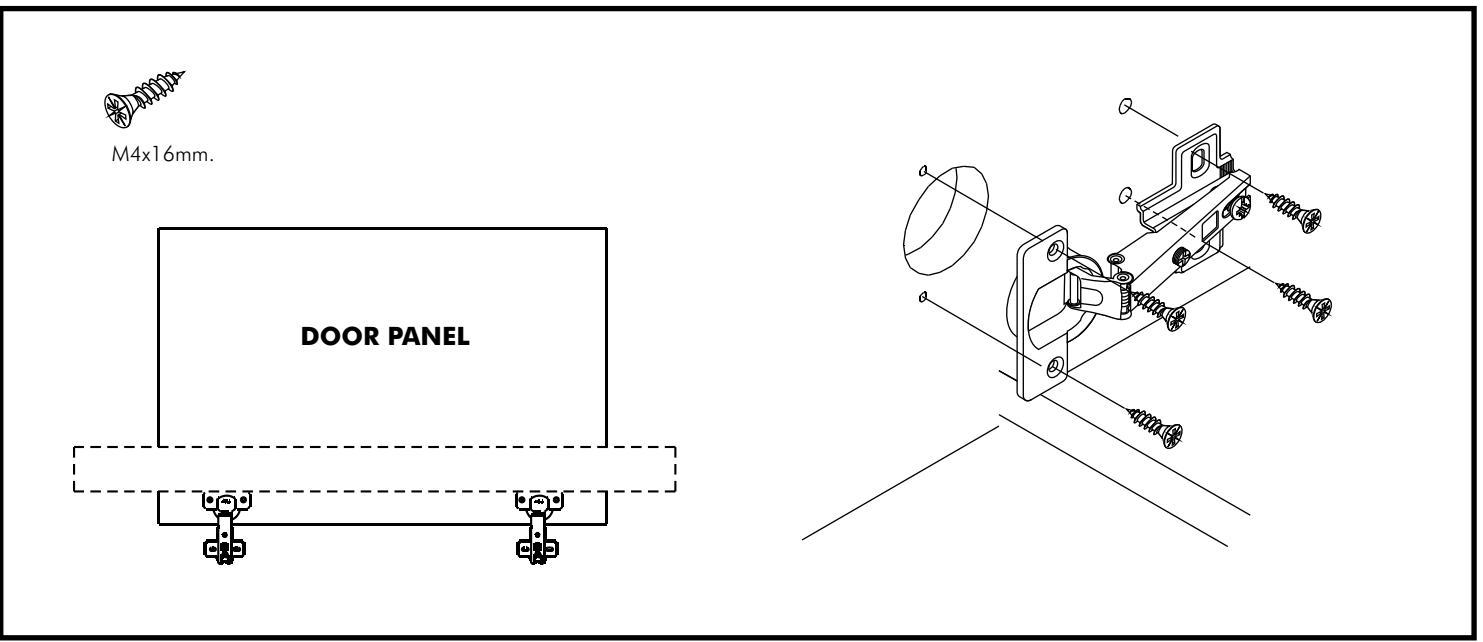
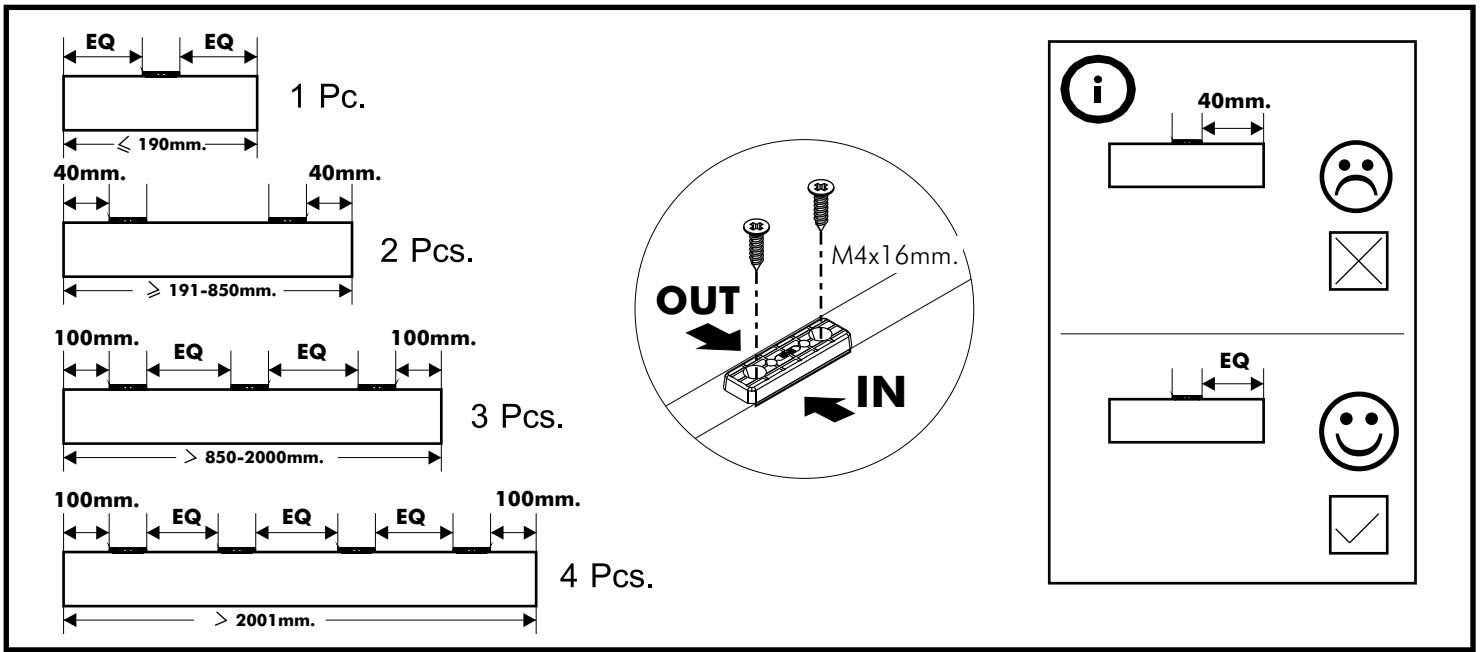
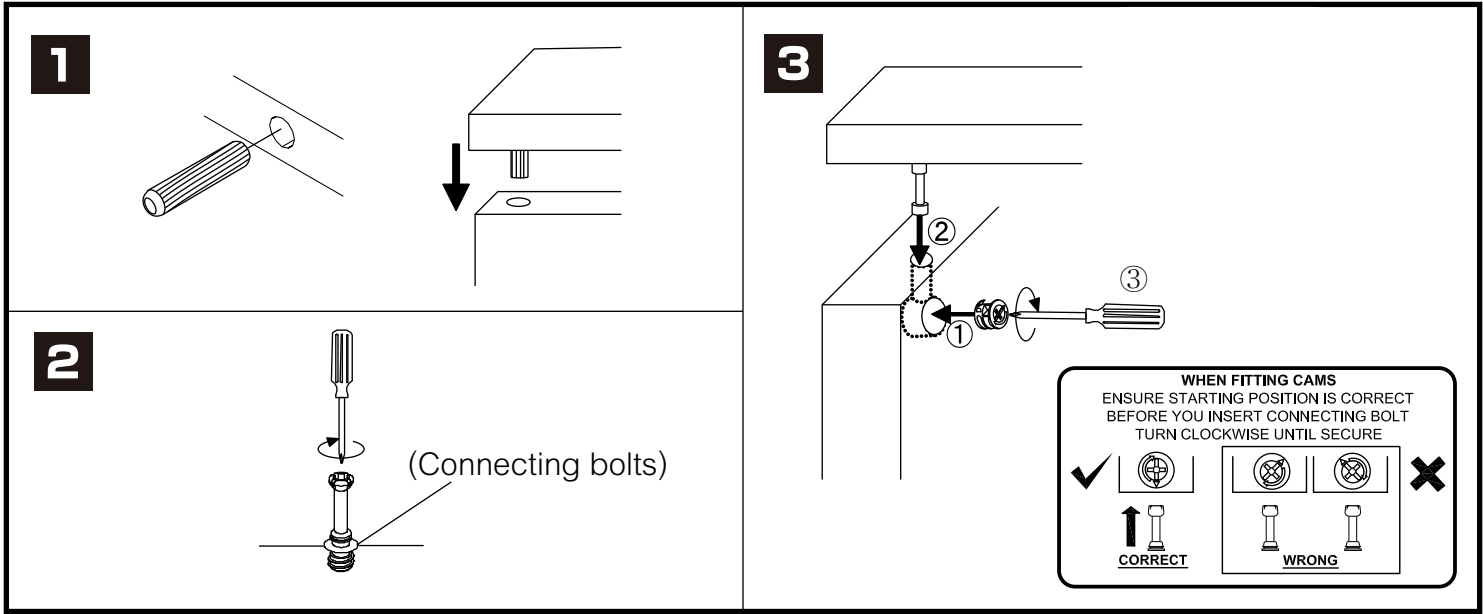


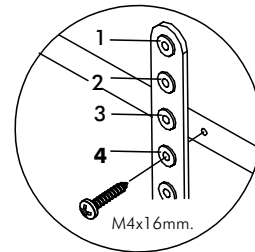
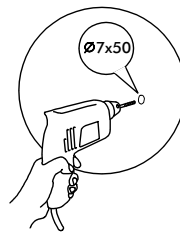
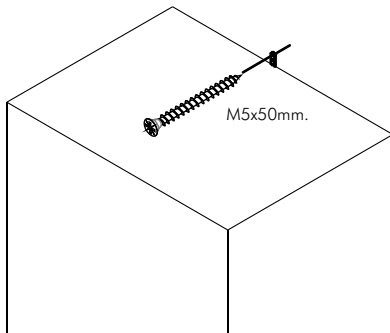
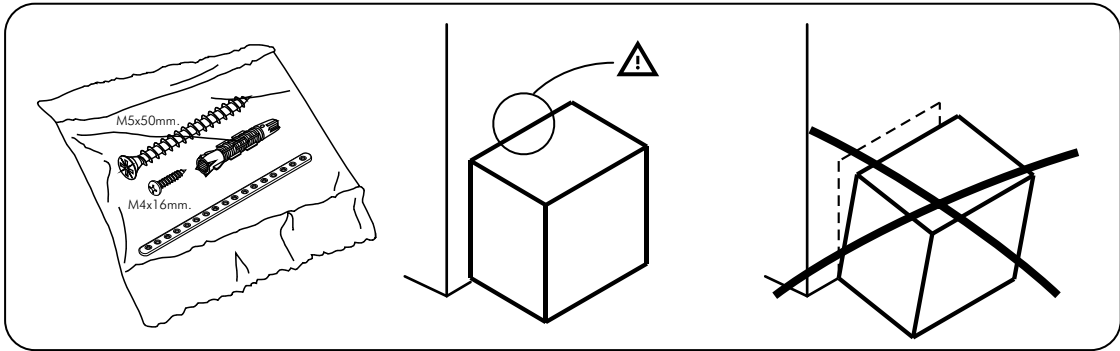
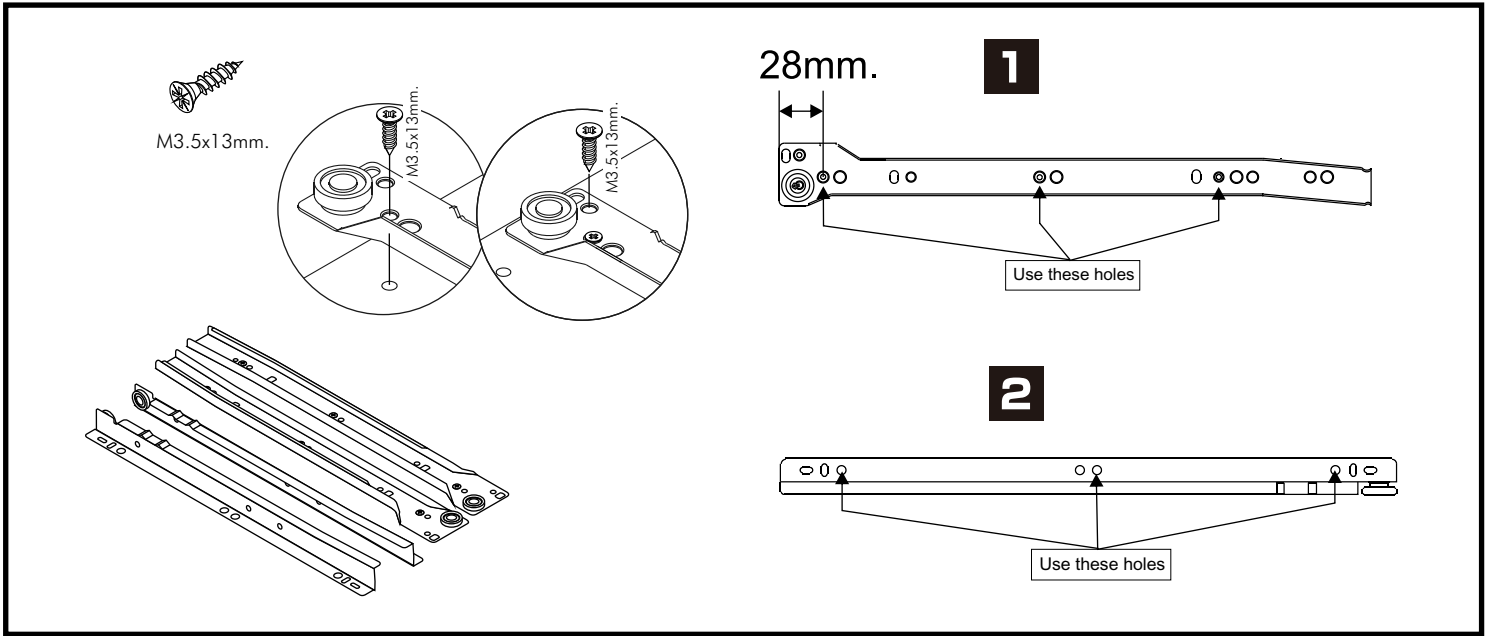
# TOKYO/P

Side board 160 cm

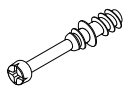


# CONNECT SYSTEM





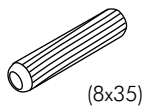
# HARDWARE



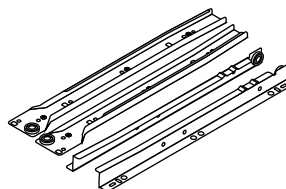
**x 8**



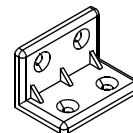
**x 8**



**x 40**



**x 3**

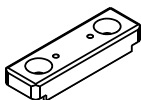


**x 20**



M4x16mm.

**x 104**

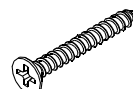


**x 4**



M6x23

**x 15**



M4x40mm.

**x 36**



M3.5x13mm.

**x 42**

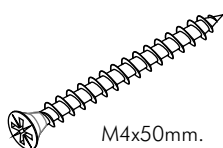


M4x16mm.

**x 9**

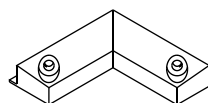


**x 1**

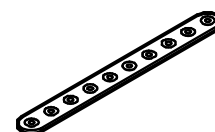


M4x50mm.

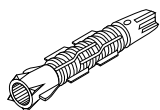
**x 12**



**x 4**

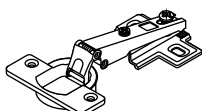


**x 1**



#UP-745

**x 1**



**x 4**

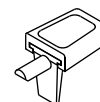


**x 8**



M3.5x20mm.

**x 16**



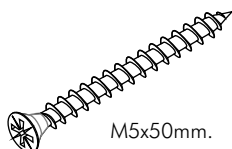
**x 8**



**x 10**

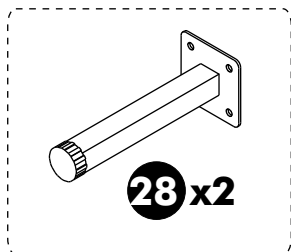


**x 4**

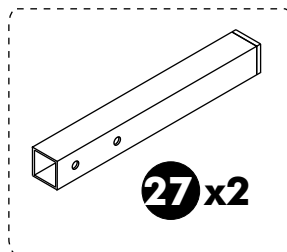


M5x50mm.

**x 1**

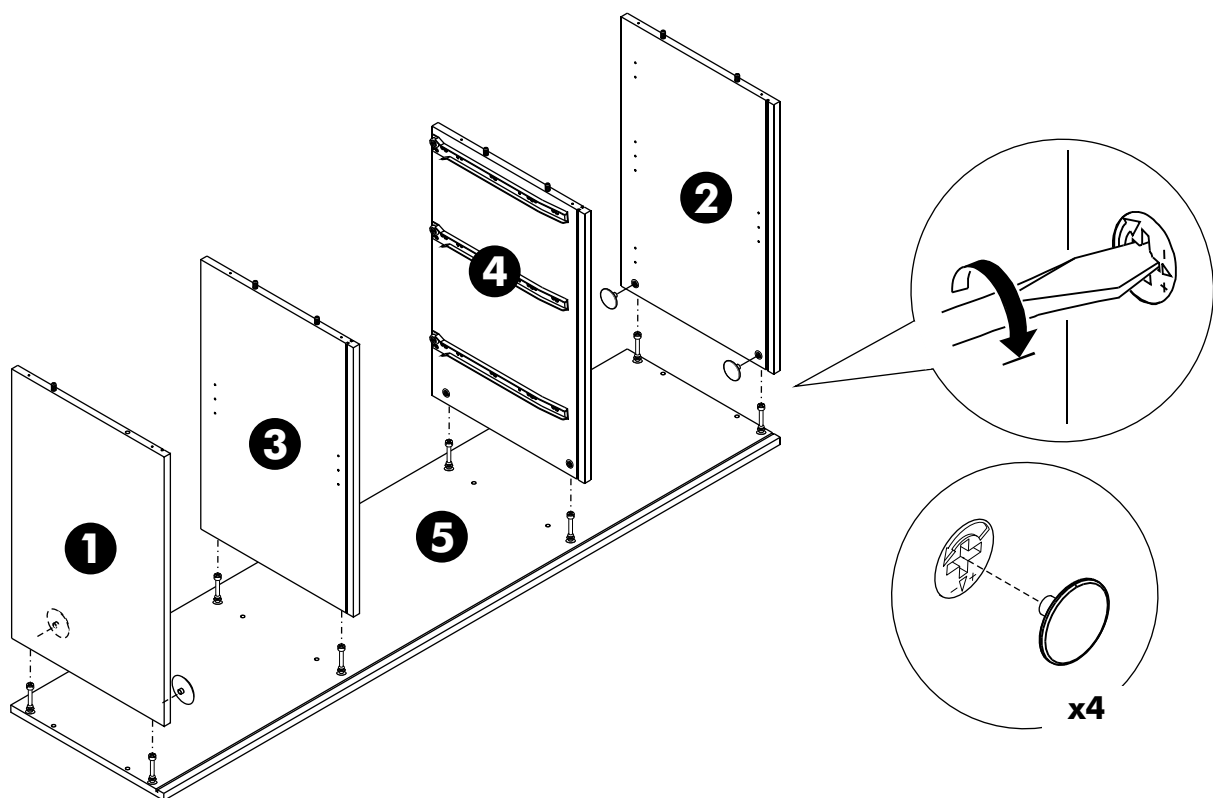


**28 x2**

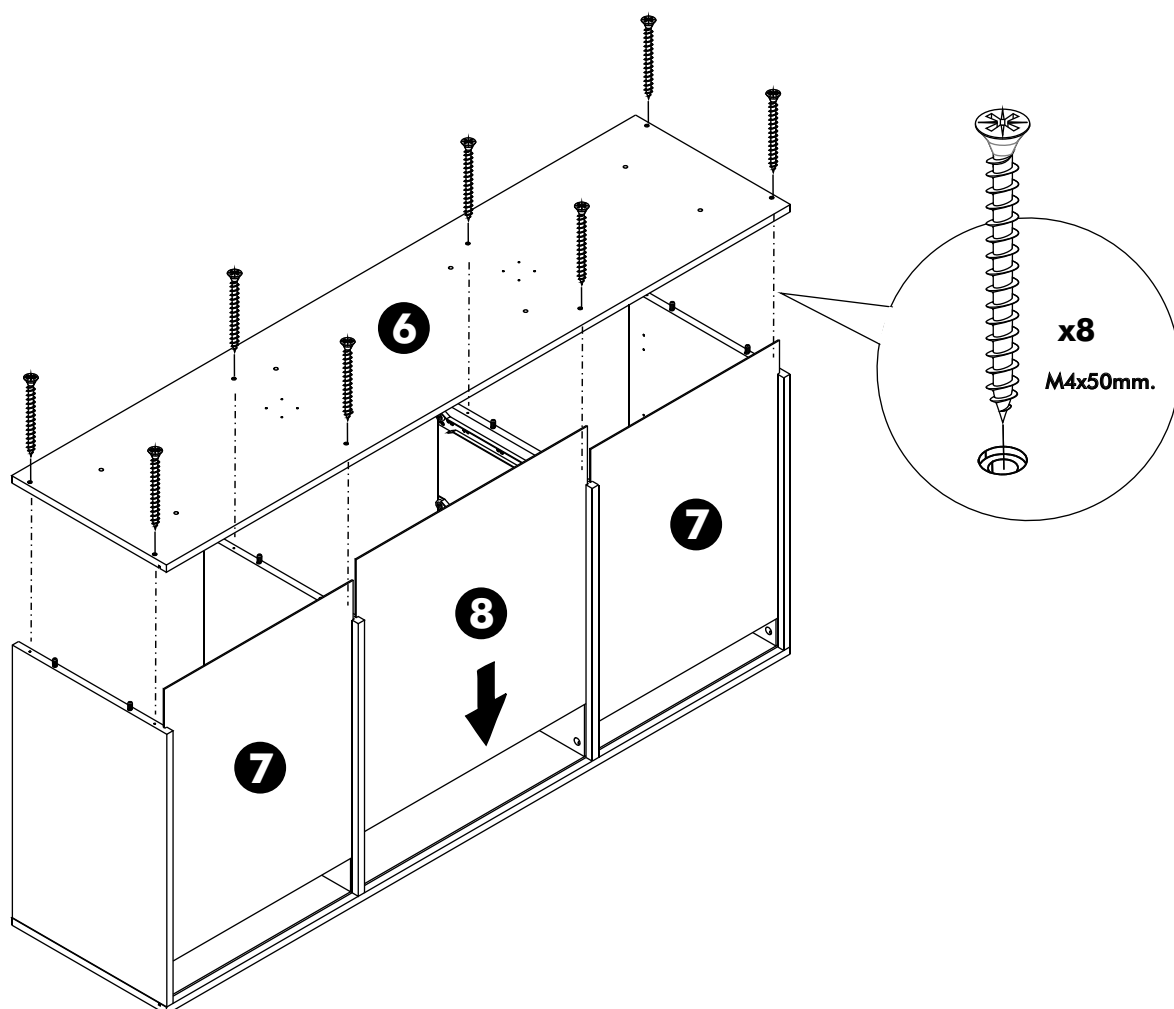


**27 x2**

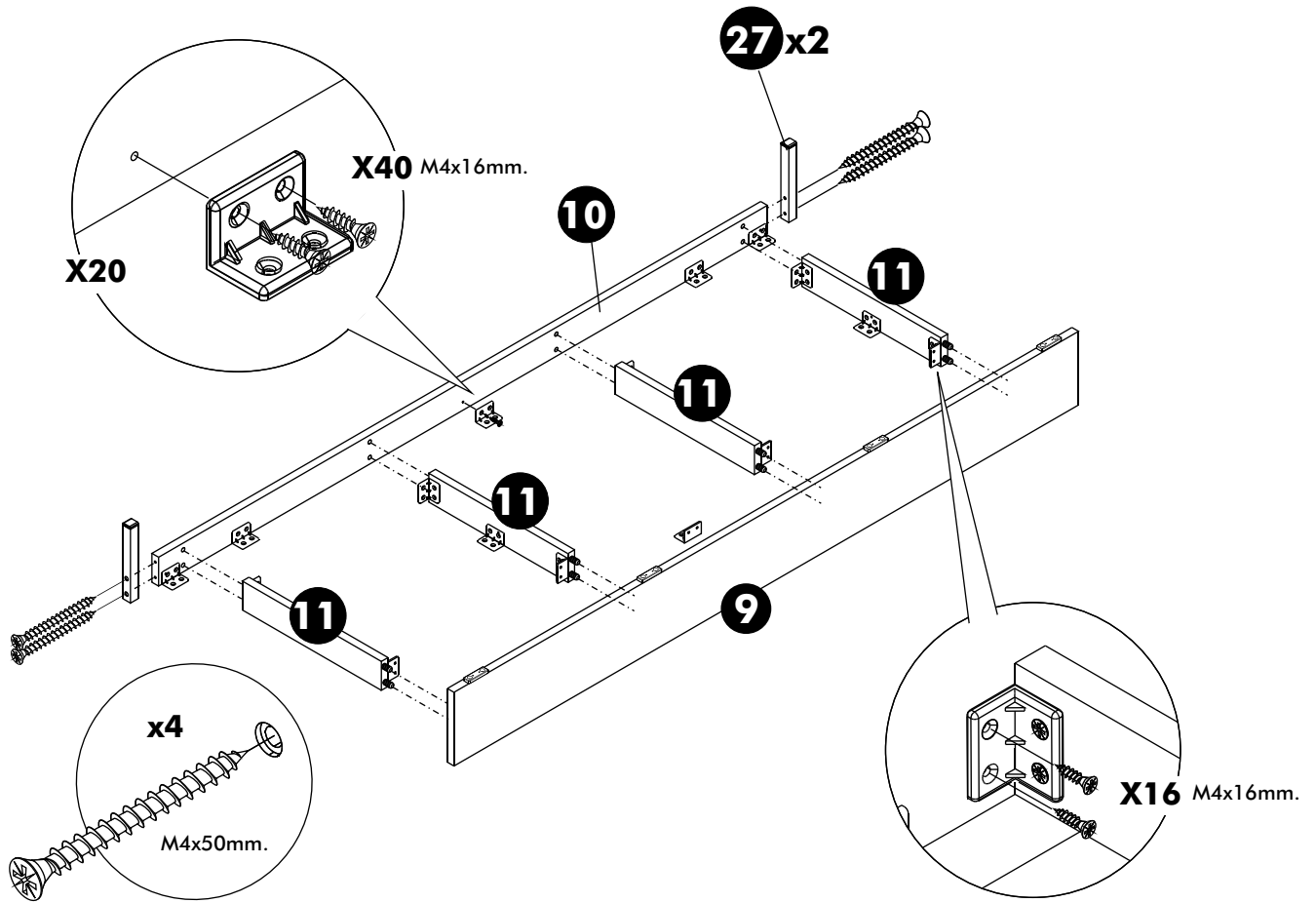
**1.**



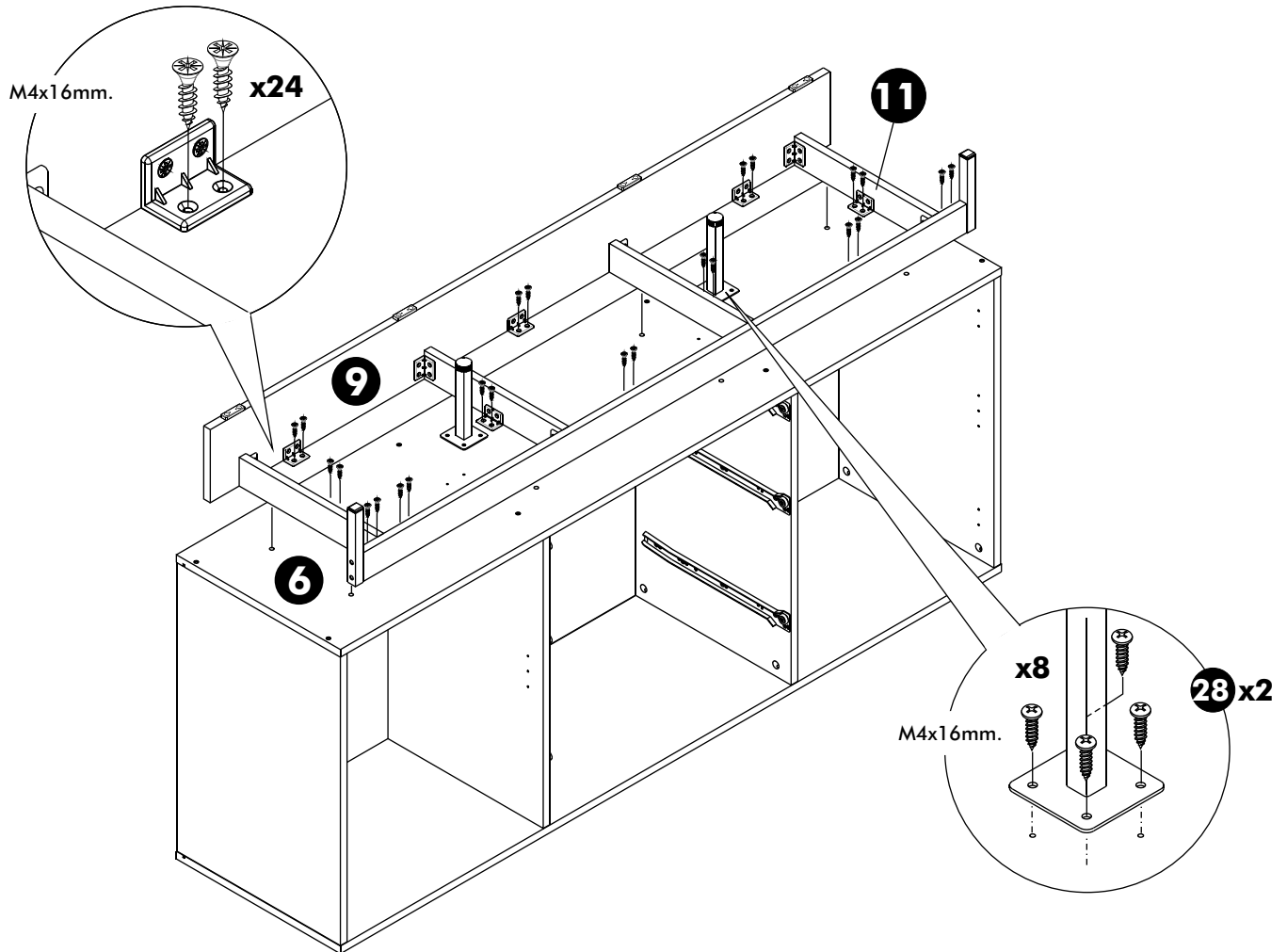
**2.**



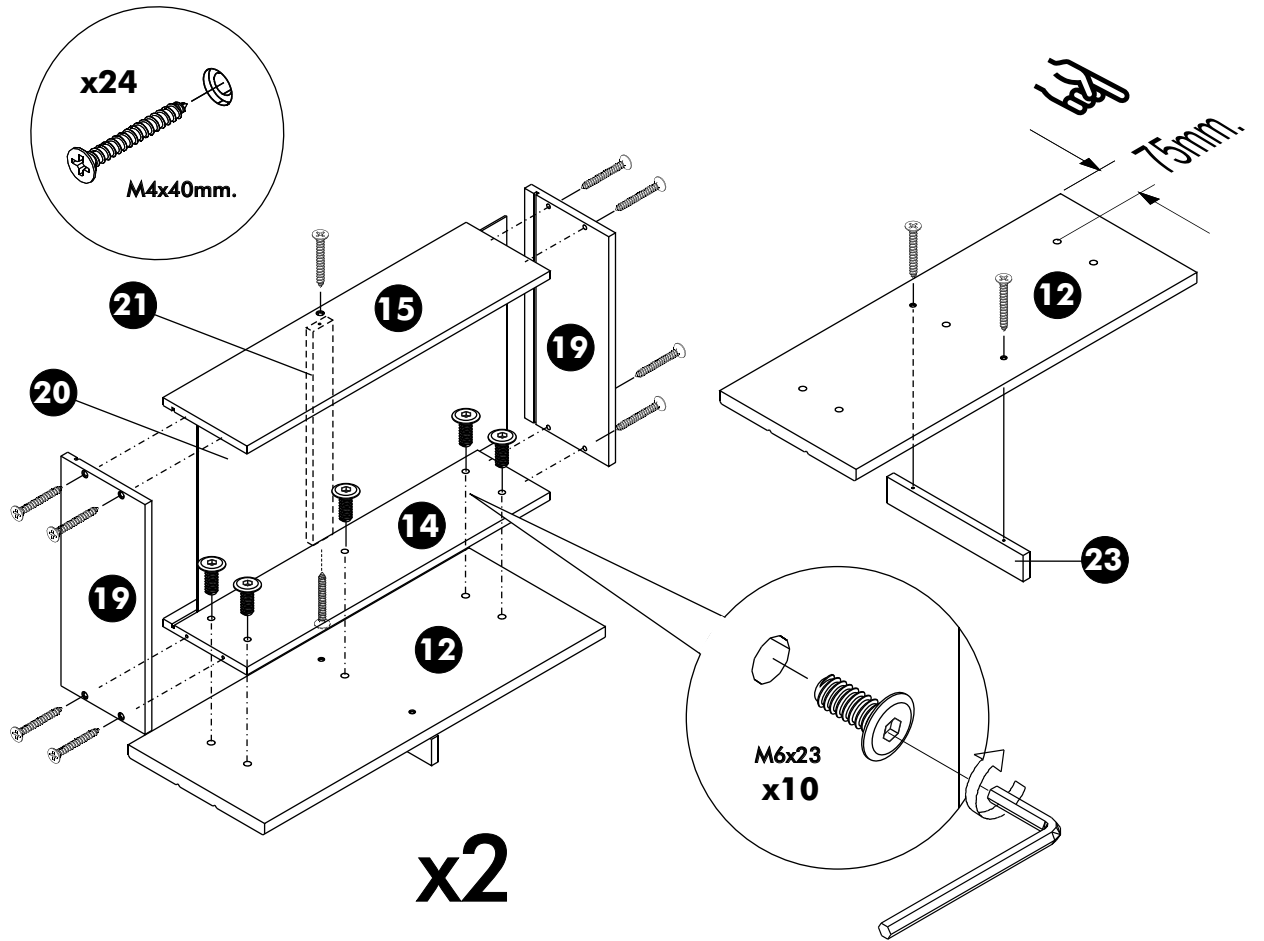
3.



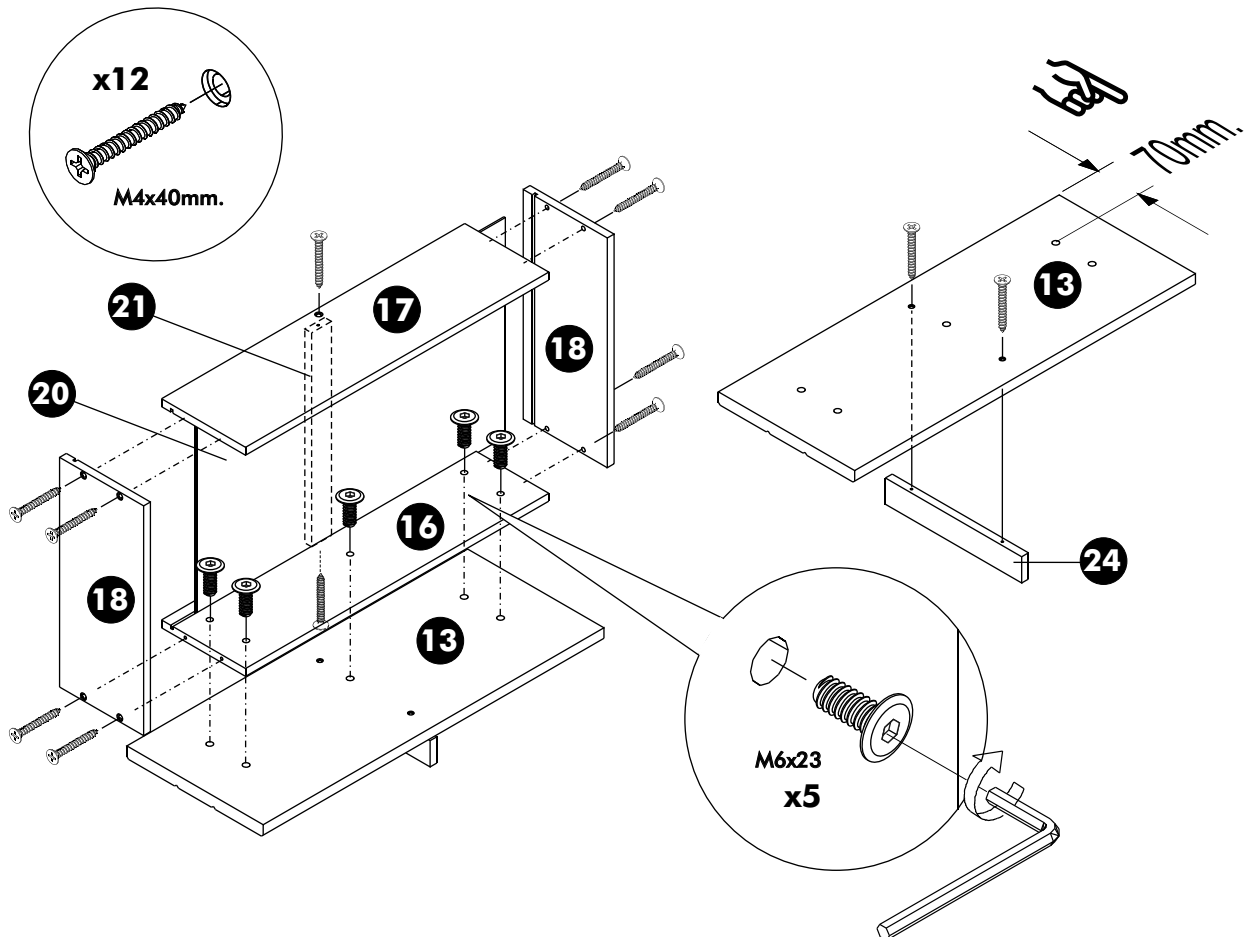
4.



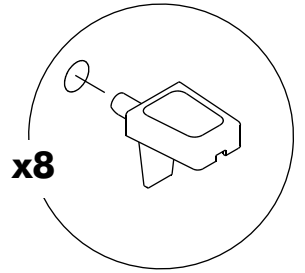
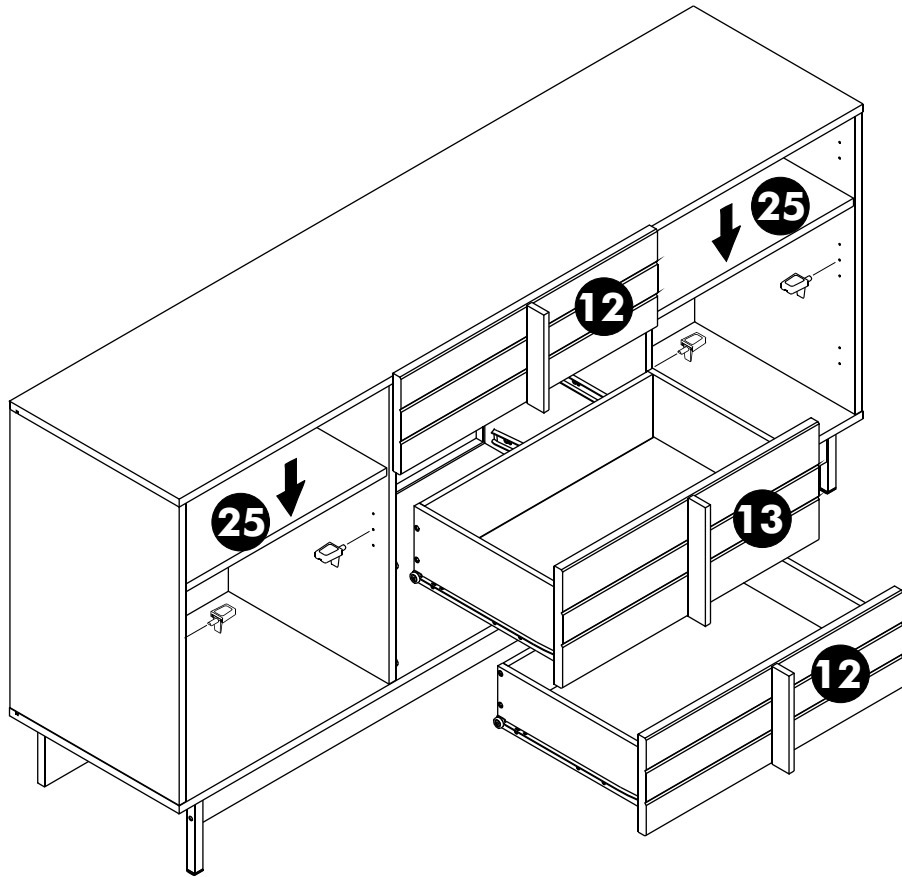
5.



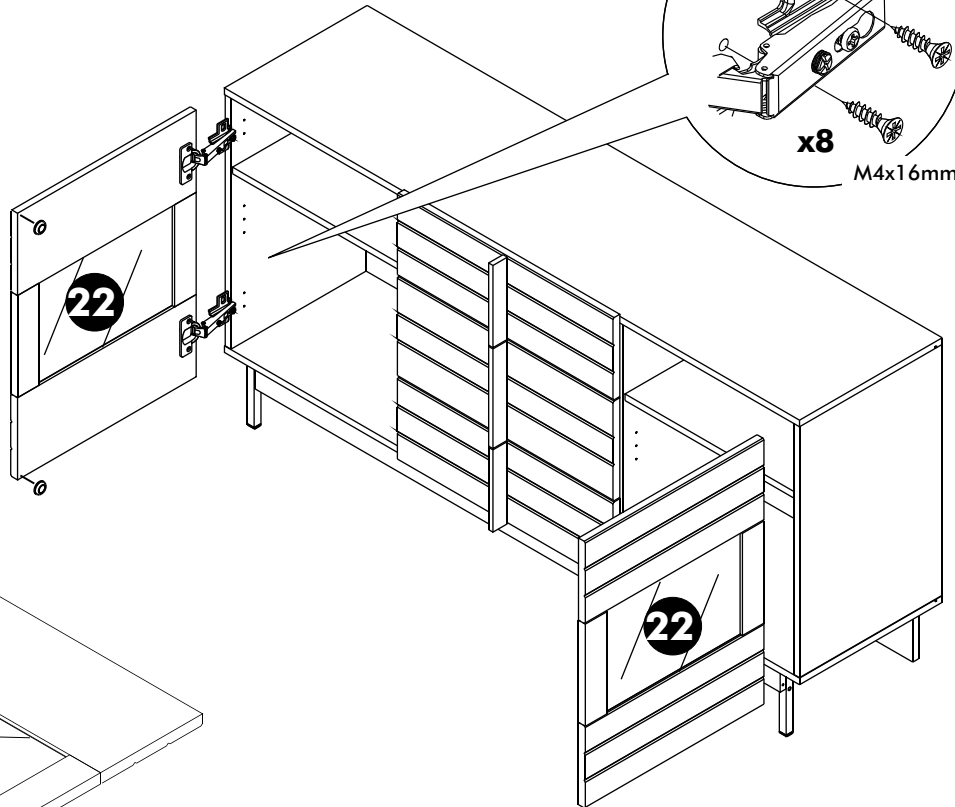
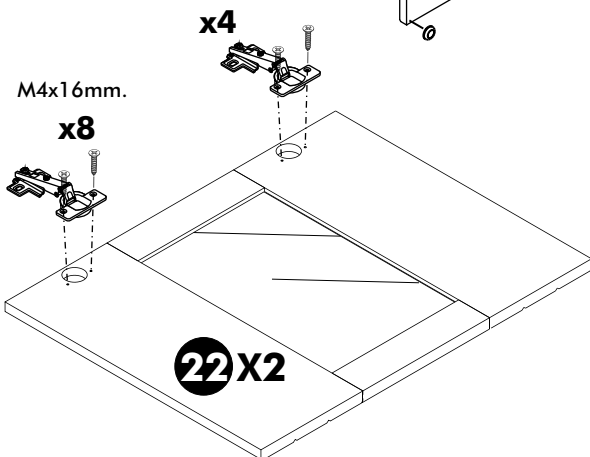
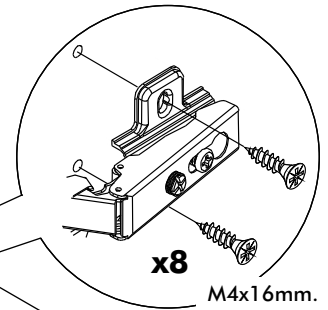
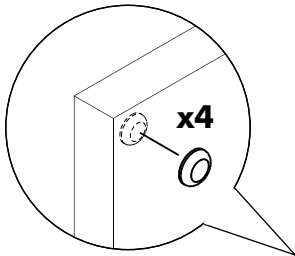
6.



7.



8.



# 9.

