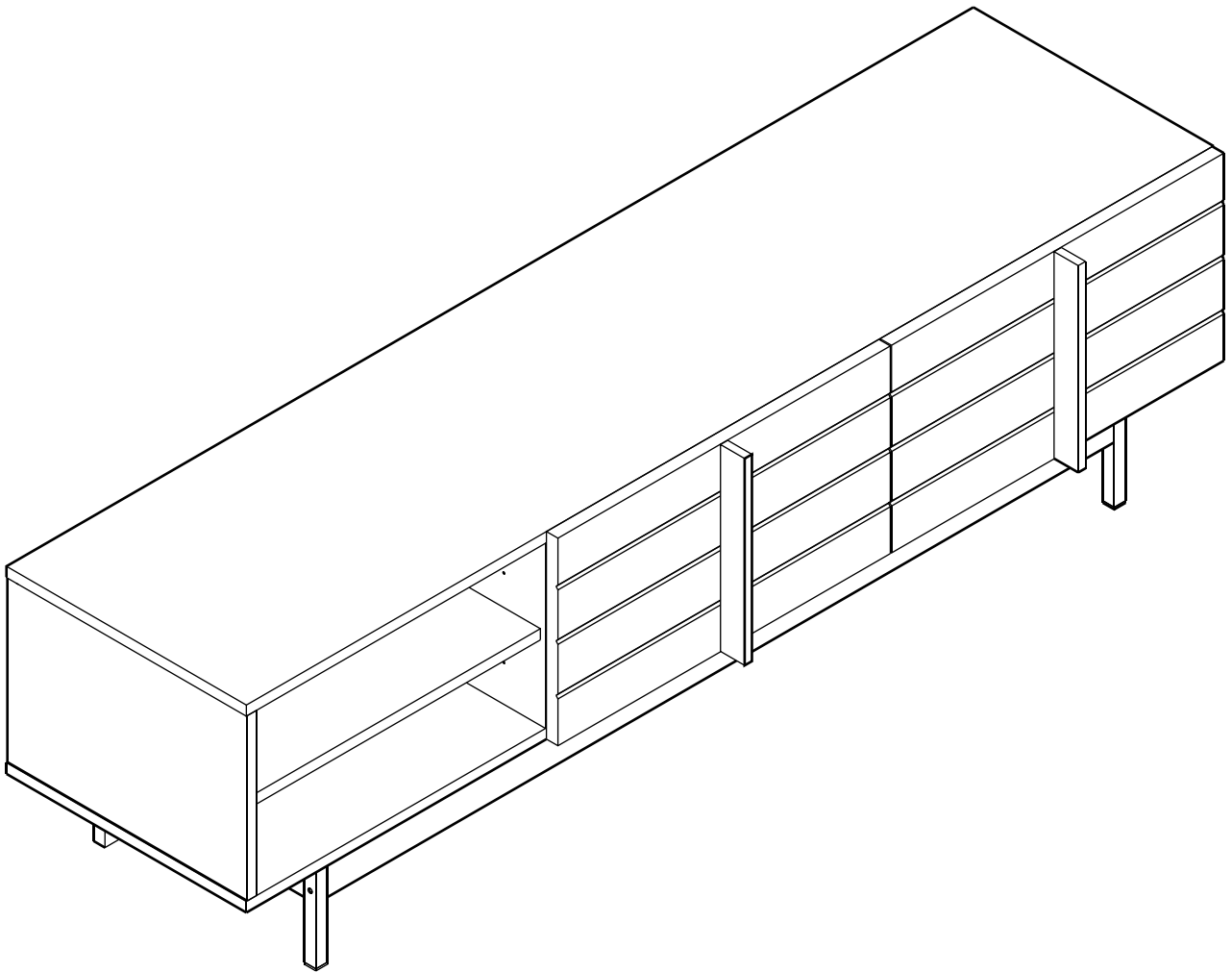
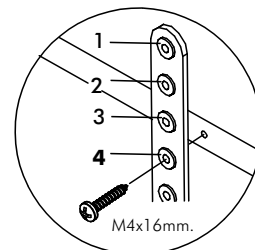
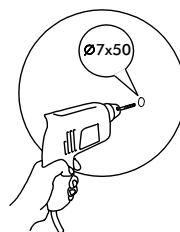
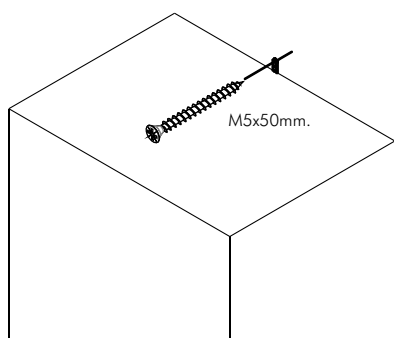
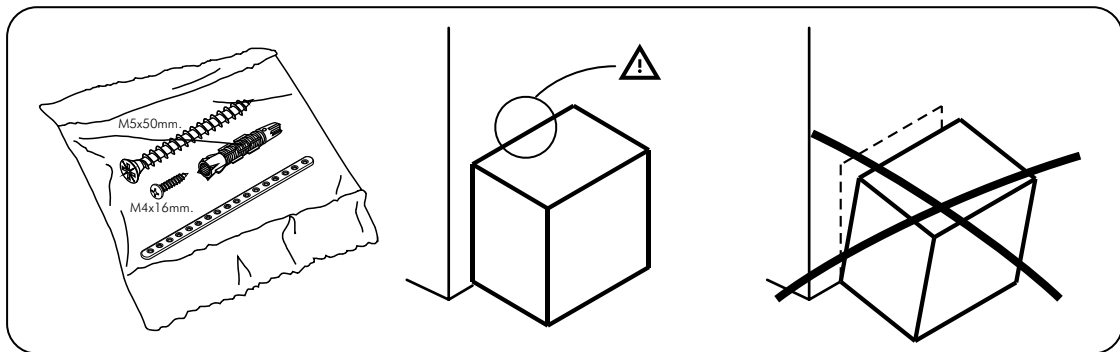
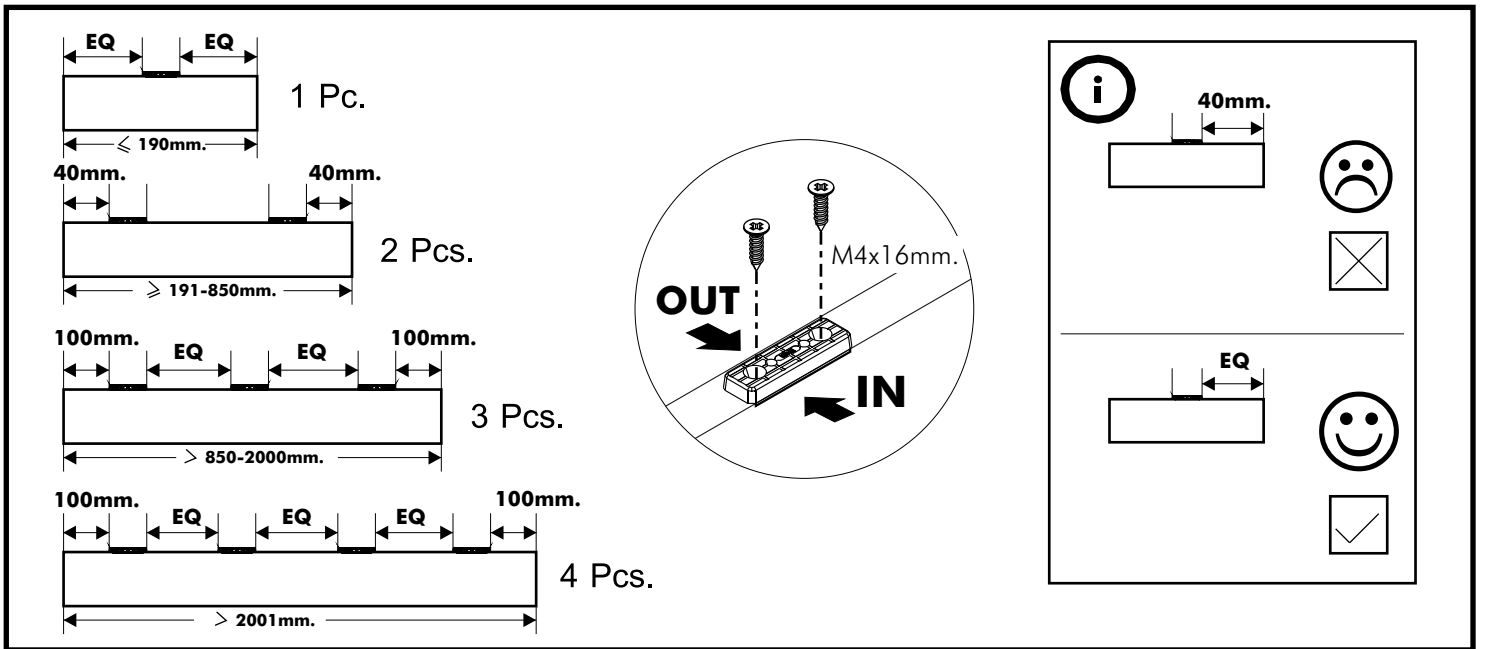


TOKYO-P

TV Cabinet 160 cm.

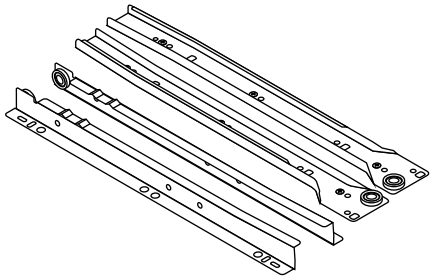
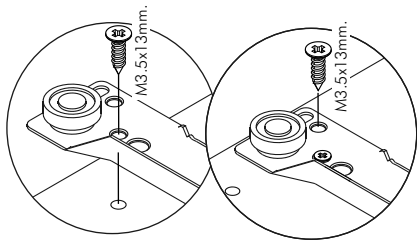


CONNECT SYSTEM



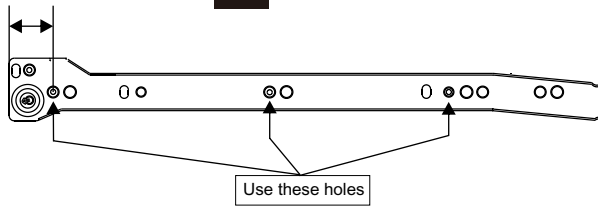


M3.5x13mm.

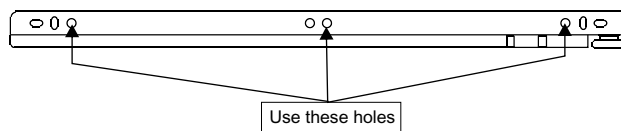


28mm.

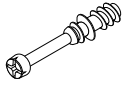
1



2



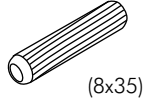
HARDWARE



x 8

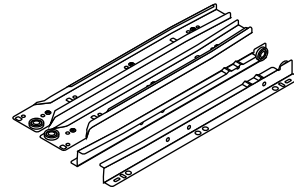


x 8

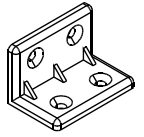


(8x35)

x 20



x 2

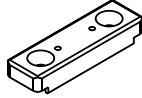


x 12



M4x16mm.

x 54



x 3



M6x23

x 8



M4x40mm.

x 24



M3.5x13mm.

x 28

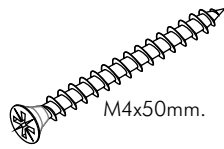


M4x16mm.

x 5



x 1



M4x50mm.

x 16

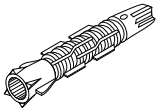


x 8



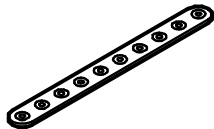
M4x20mm.

x 8

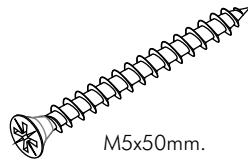


#UP-745

x 1

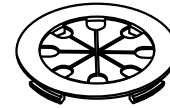


x 1

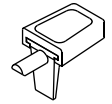


M5x50mm.

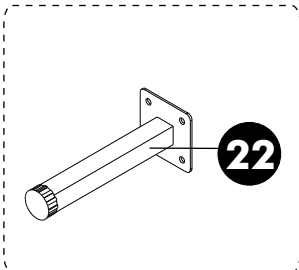
x 1



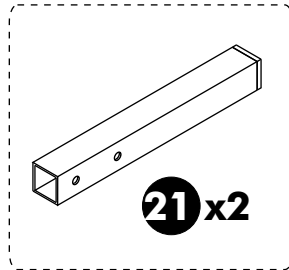
x 1



x 4

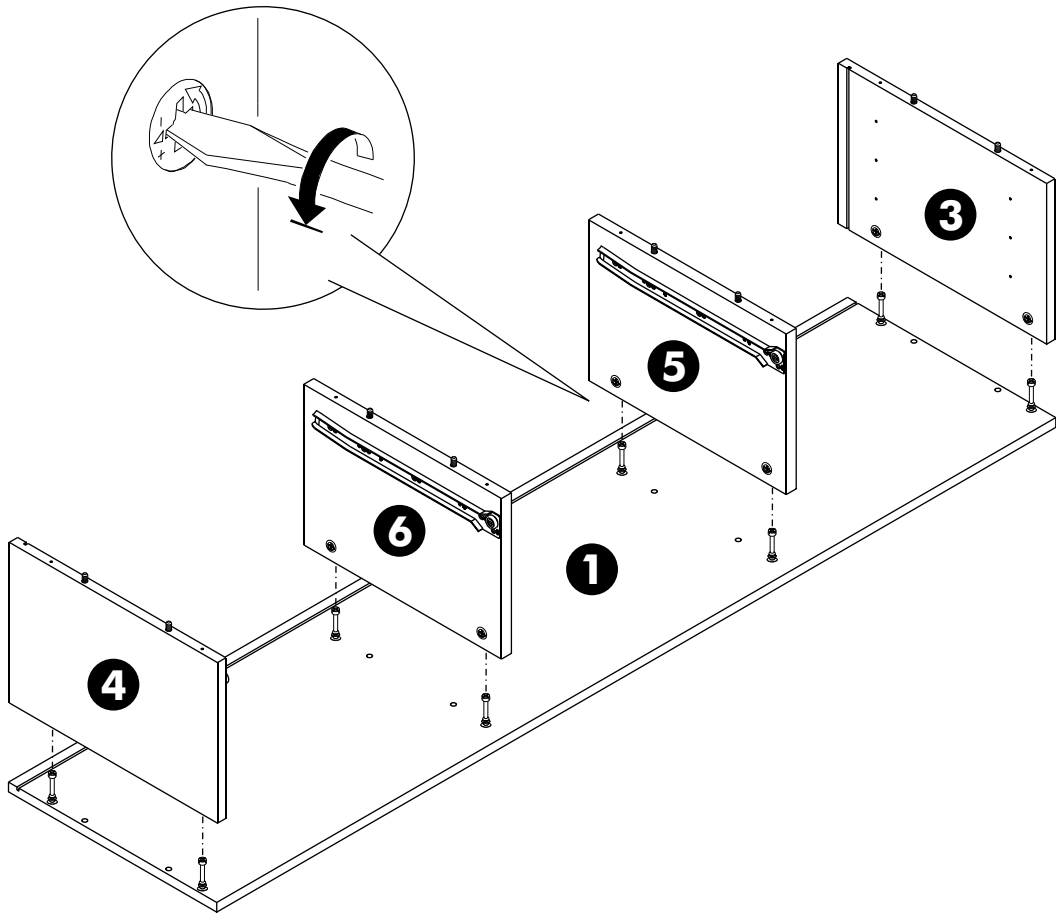


22

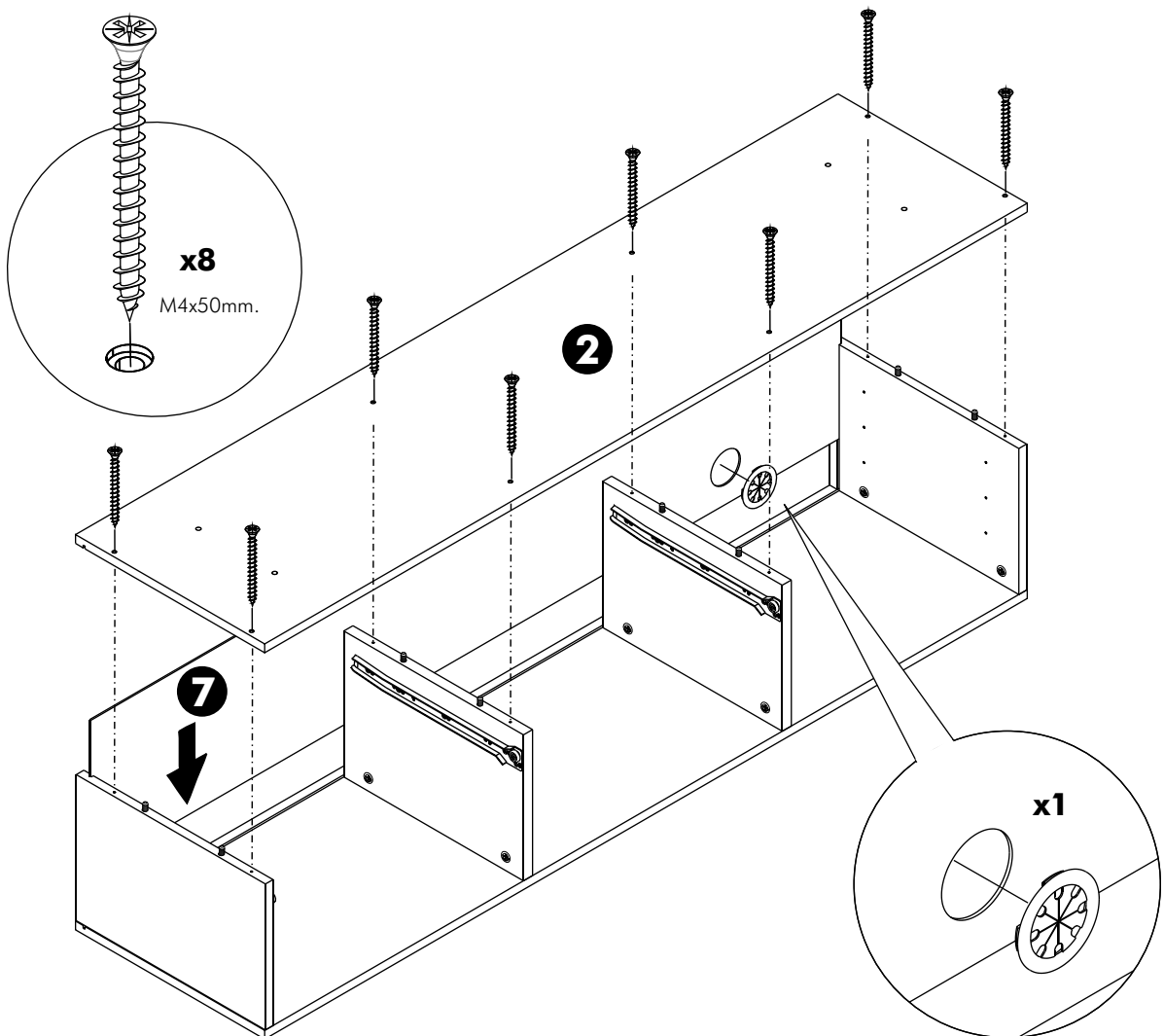


21 x2

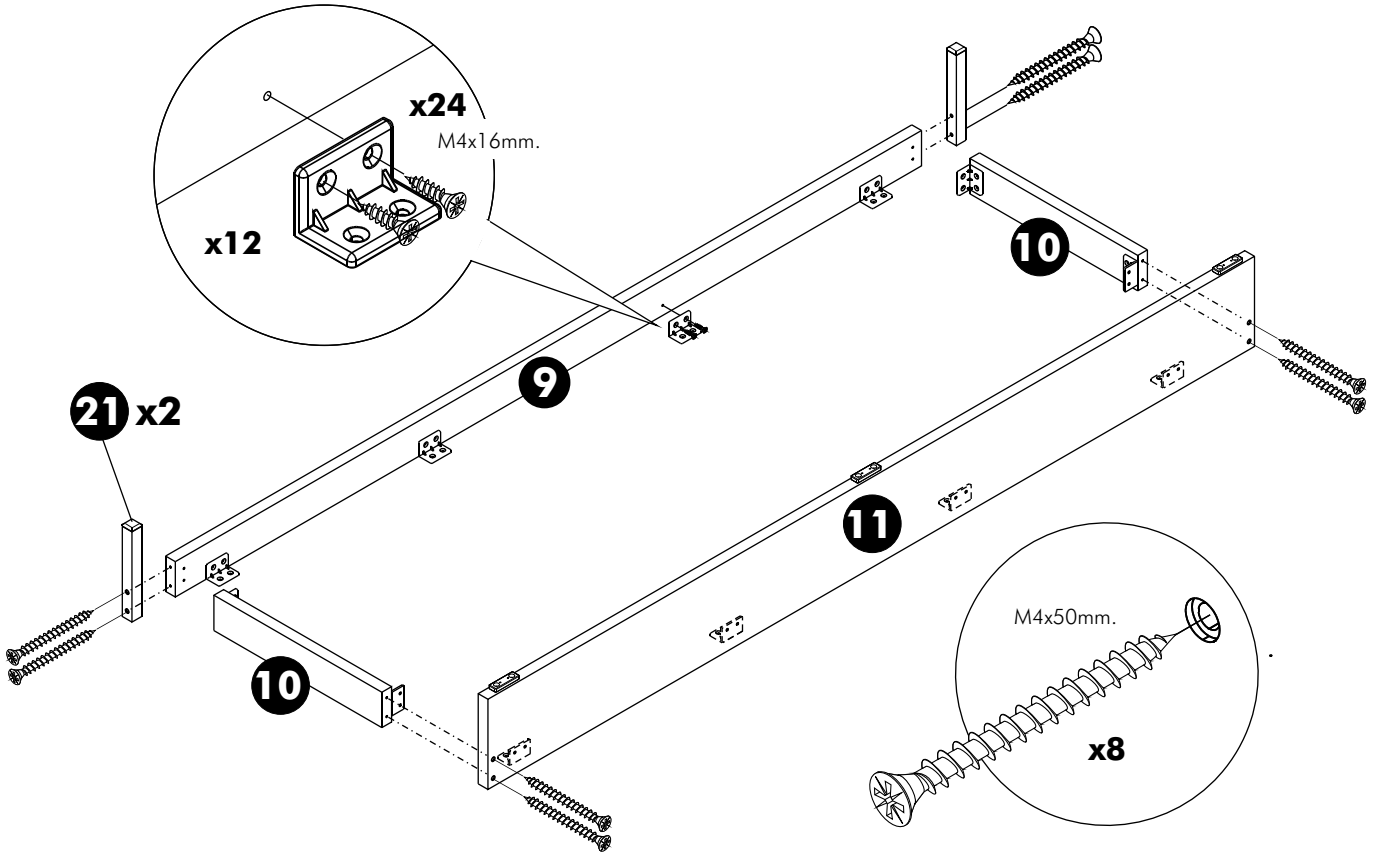
1.



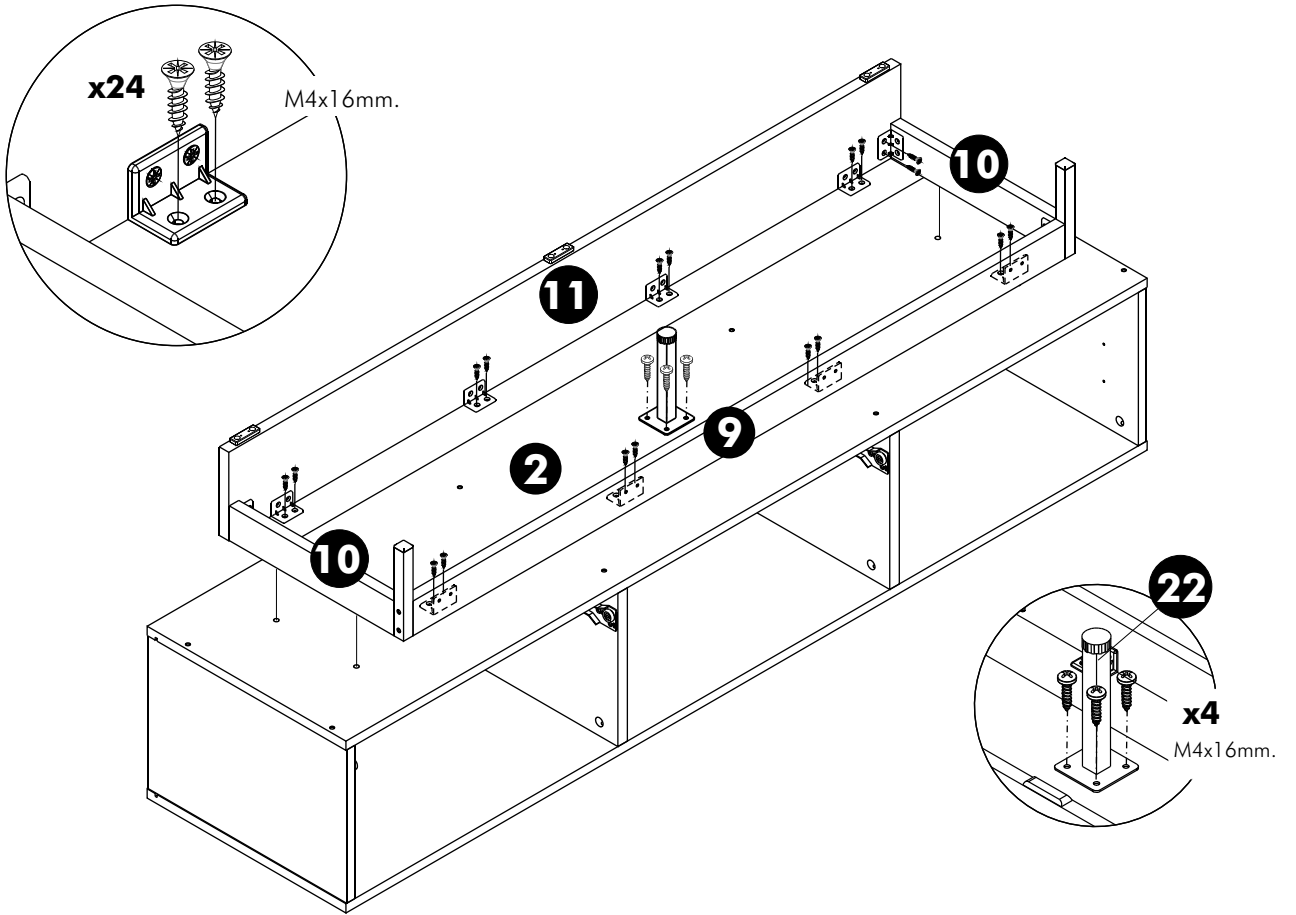
2.



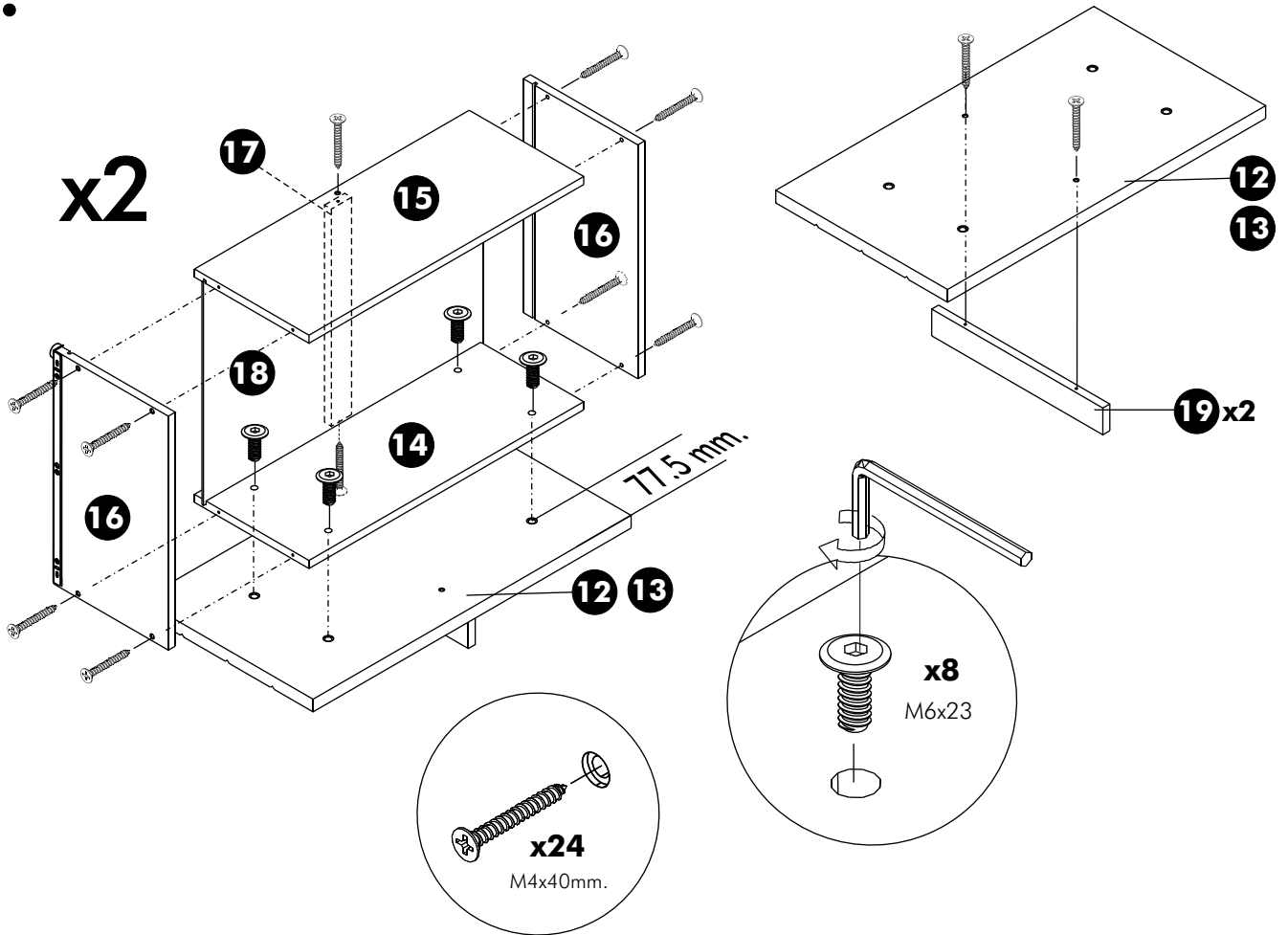
3.



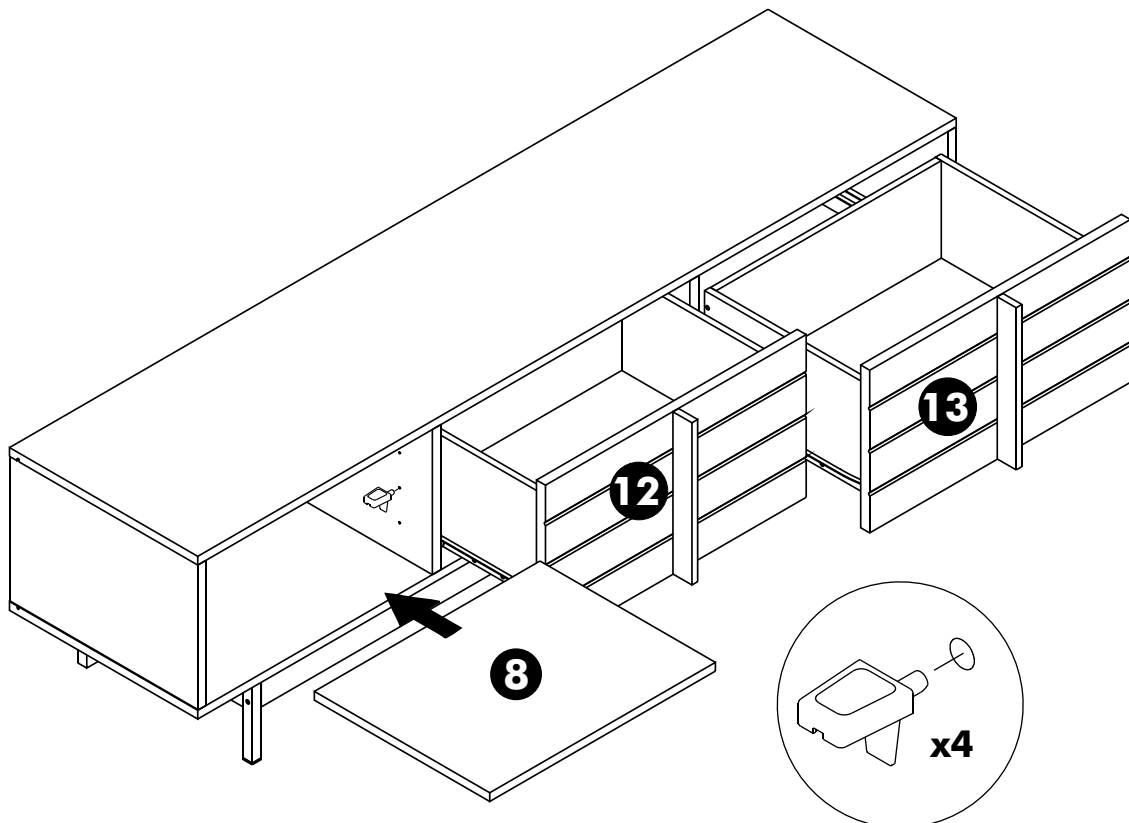
4.



5.



6.



7.

