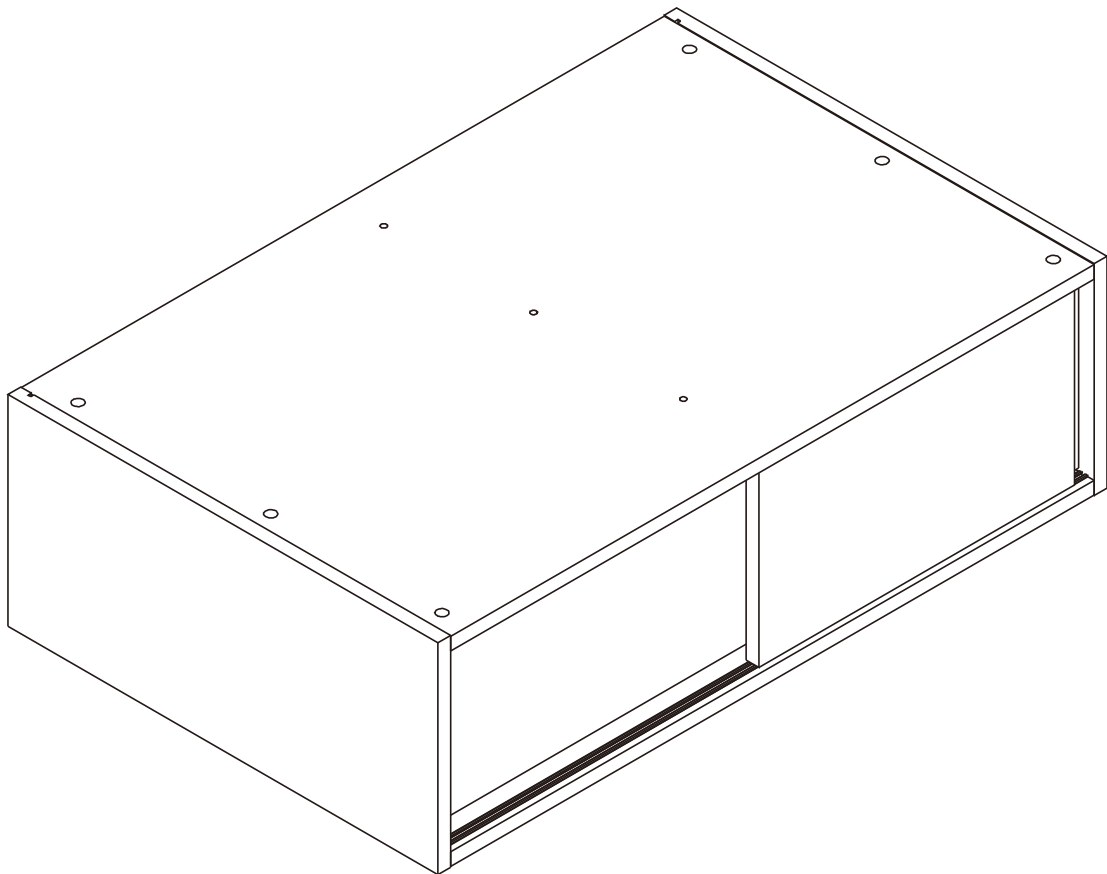
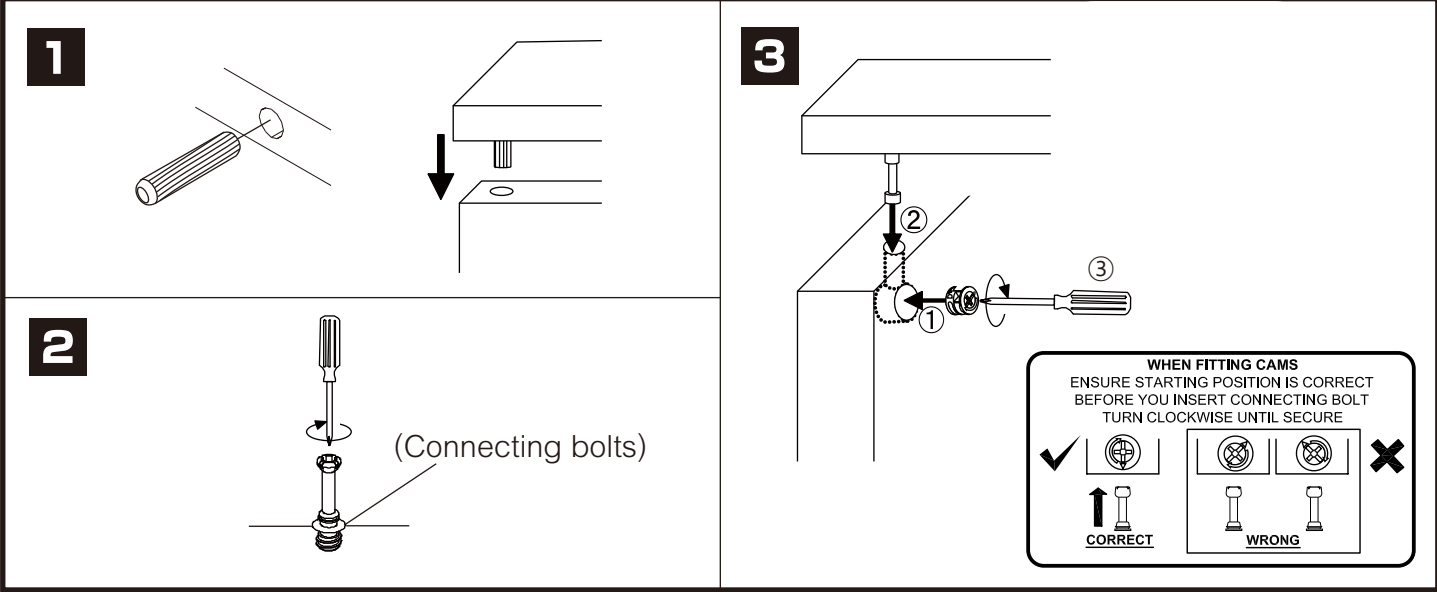


# URBANO-P

**Wall Cabinet 100 cm.**

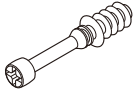


# CONNECT SYSTEM



# HARDWARE

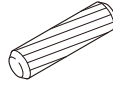
-BODY SET



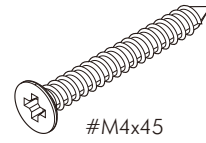
**x 12**



**x 12**



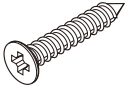
**x 12**



**x 6**



**x 1**



#M4x25

**x 4**



**x 4**



**x 4**



#M3.5x20

**x 4**



# Ø11mm.

**x 2**



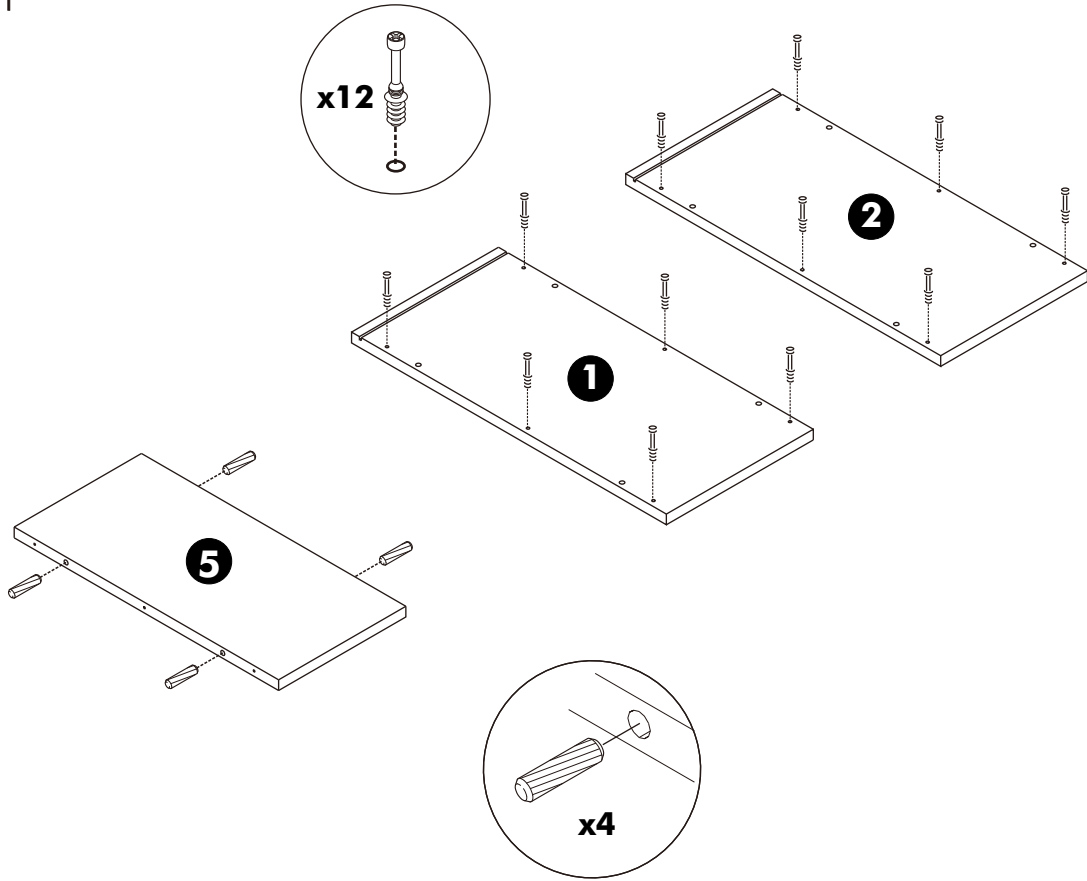
#M4x30

**x 2**

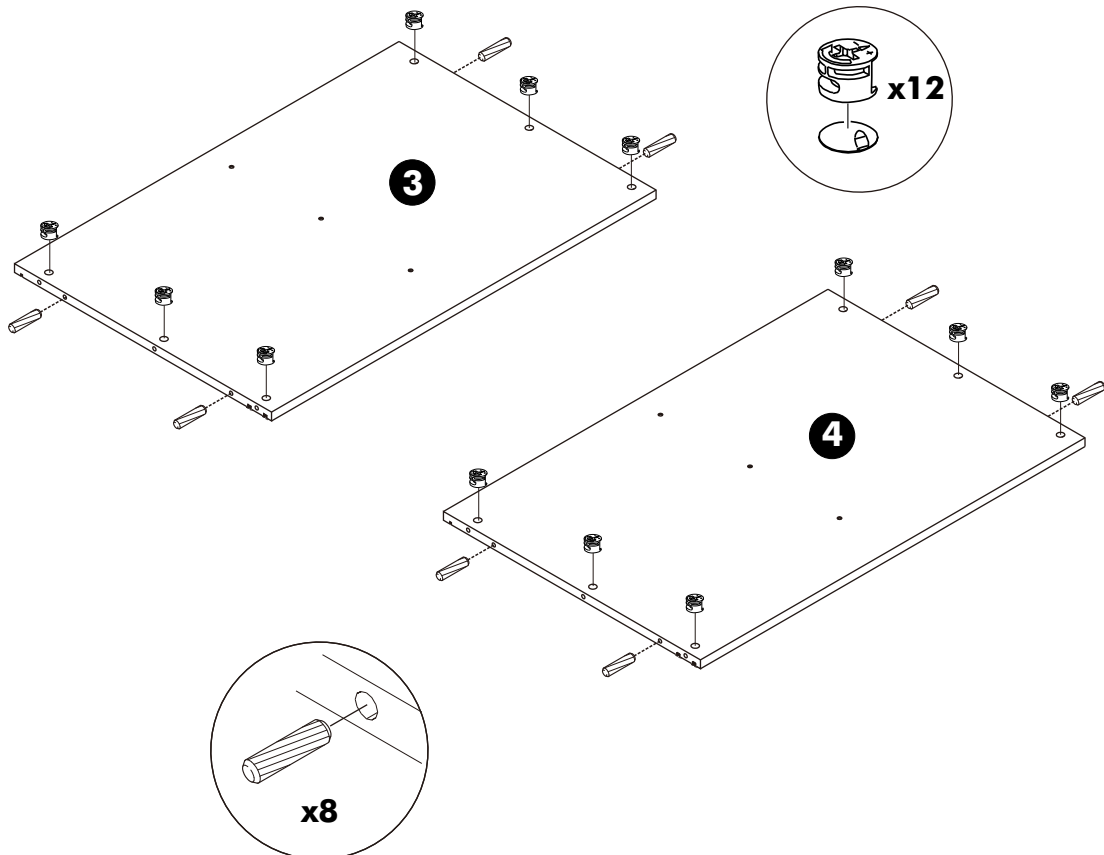
# ASSEMBLY

-BODY SET

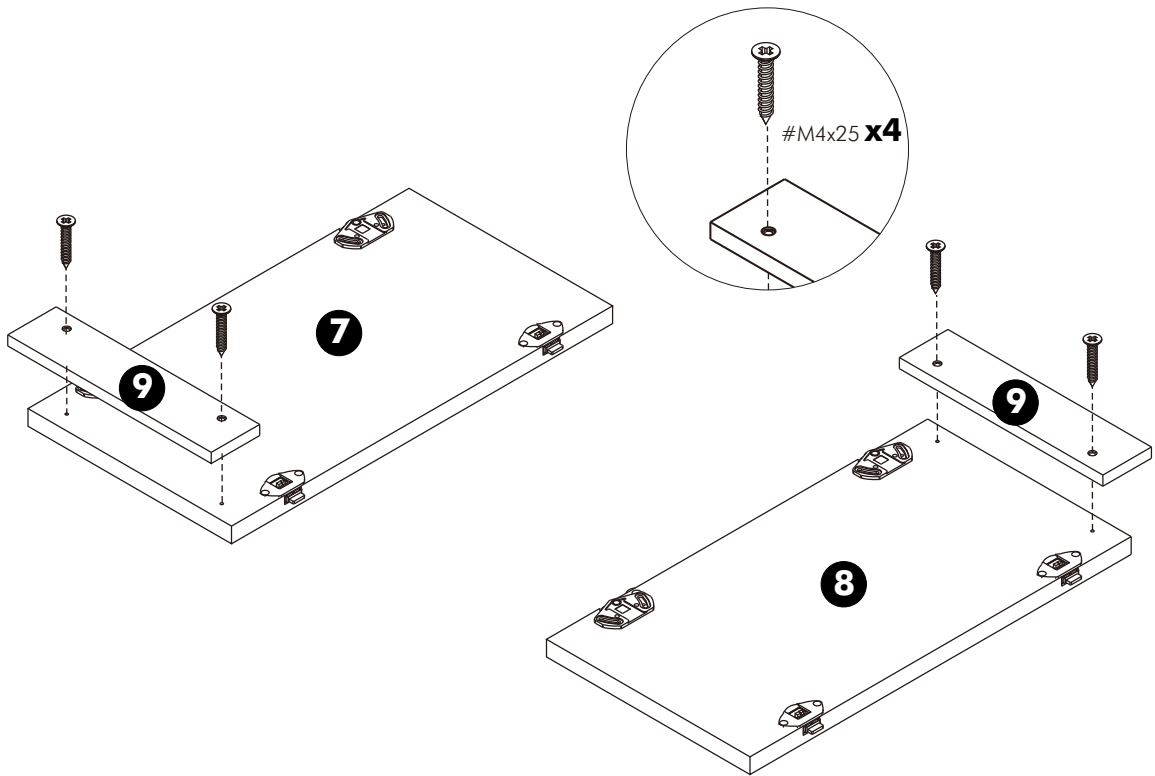
## 1.



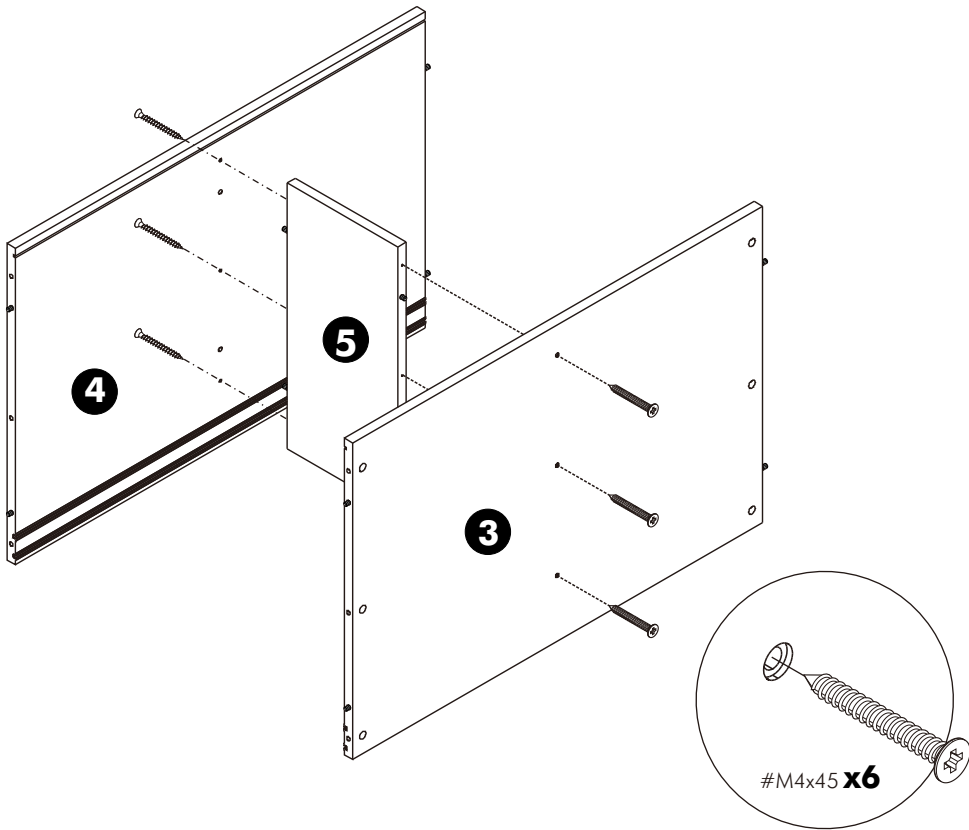
## 2.



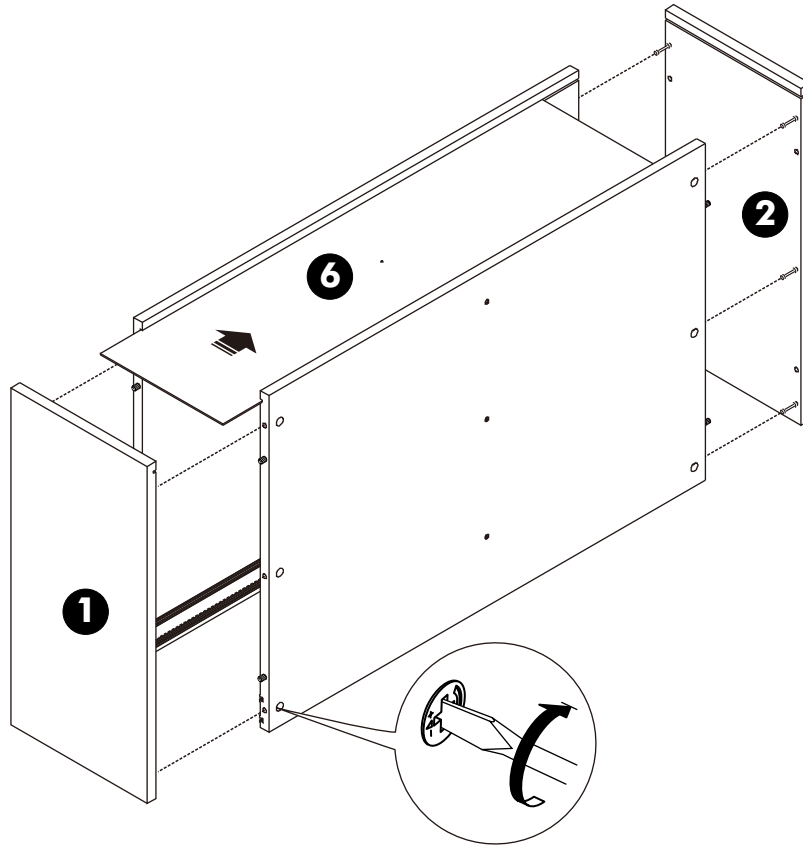
**3.**



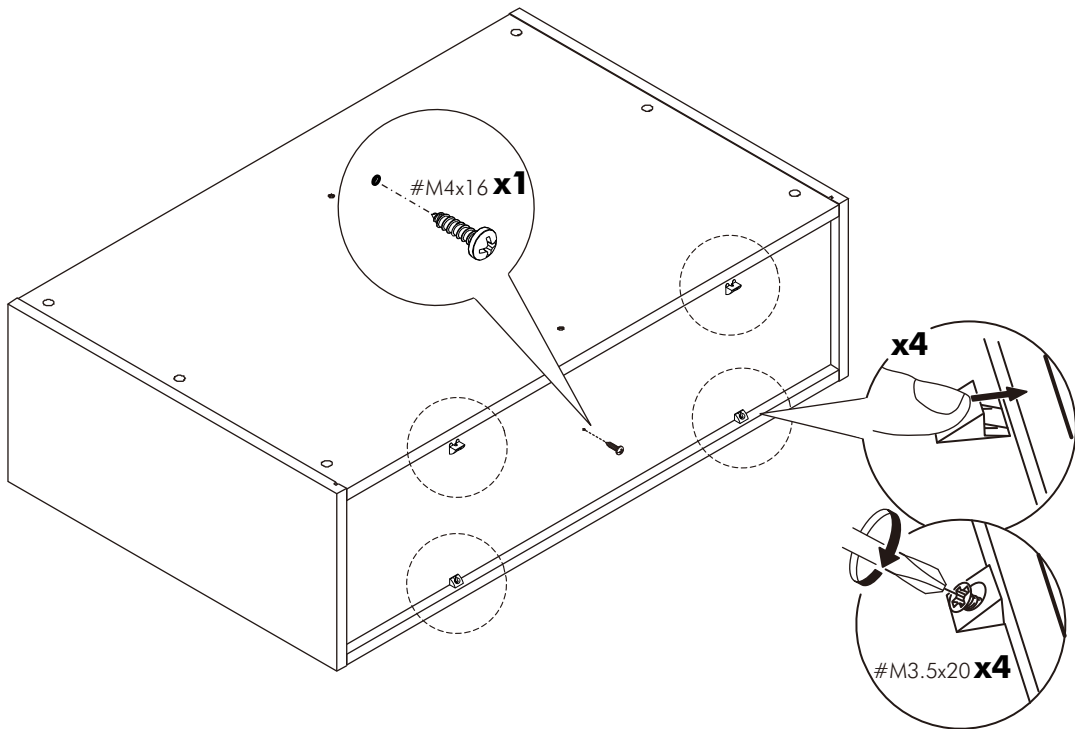
**4.**



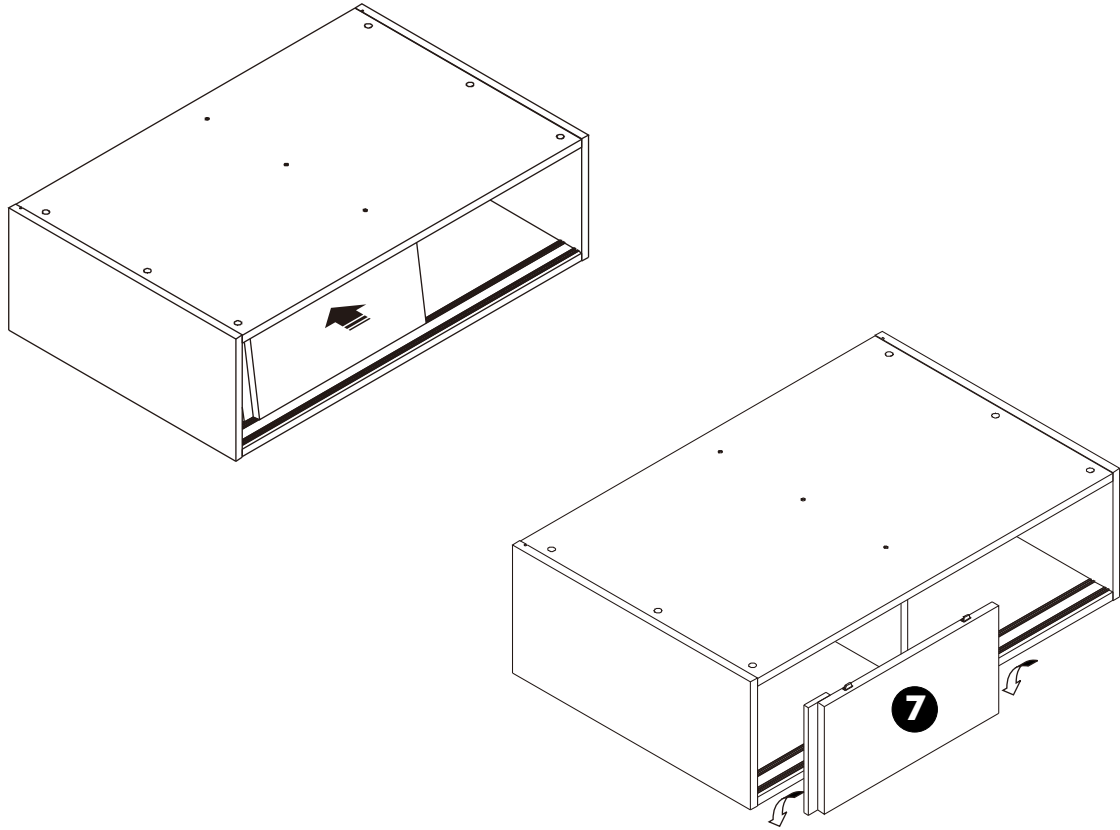
**5.**



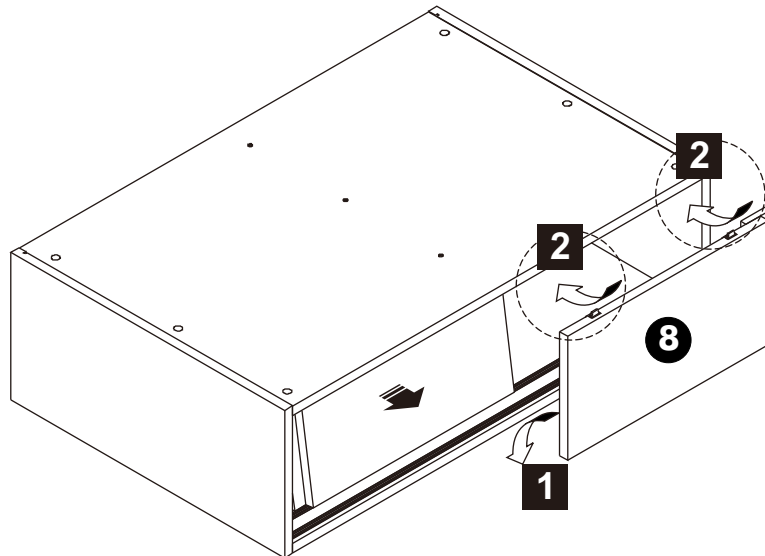
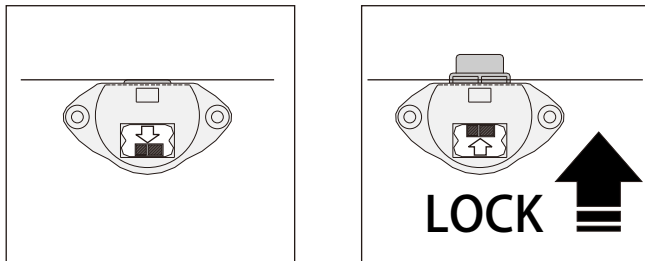
**6.**



**7.**



**8.**



9.

