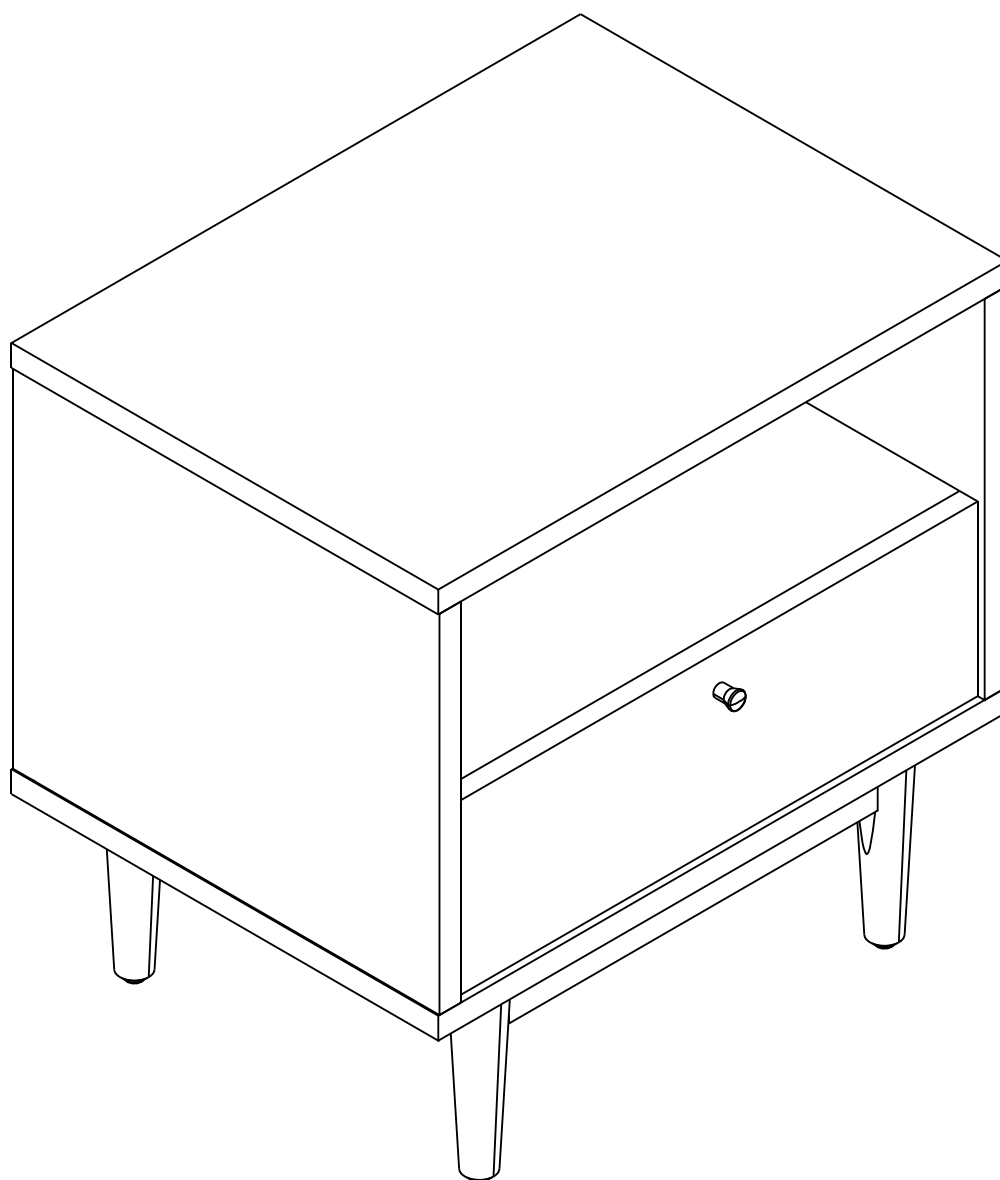
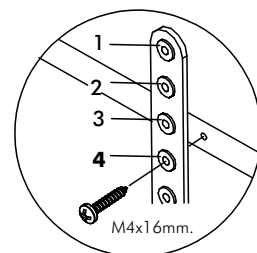
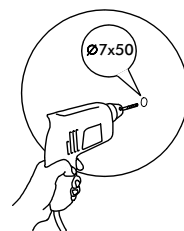
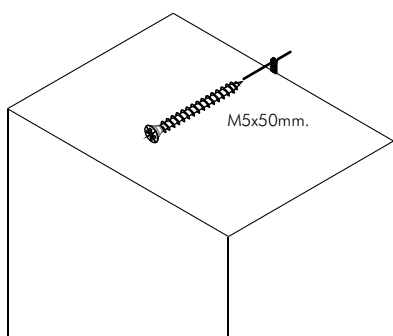
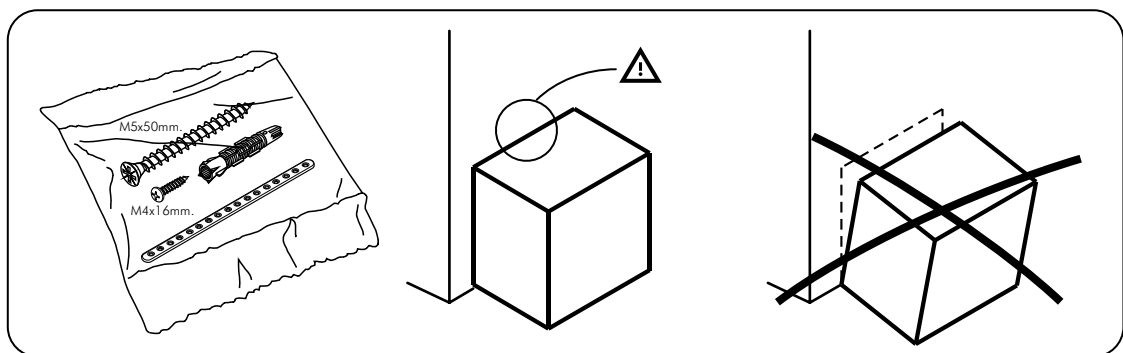
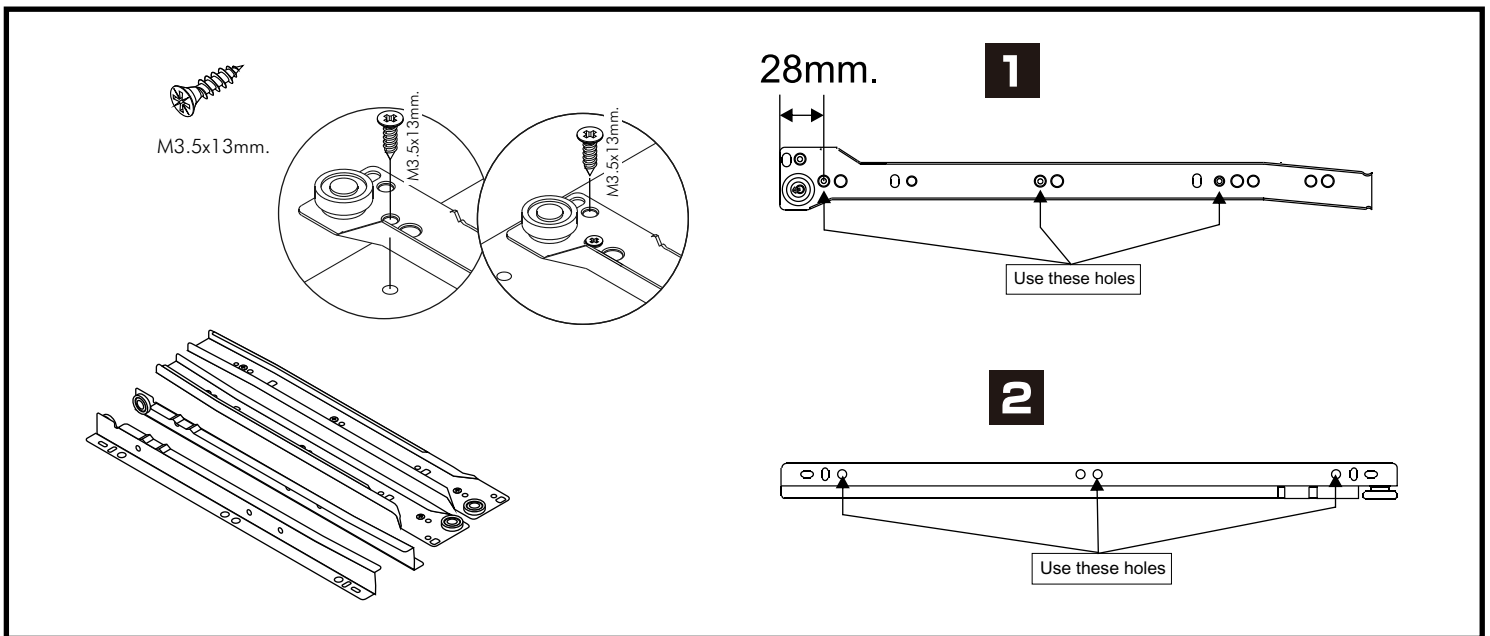


SKALAR-P

Night table 50Cm.

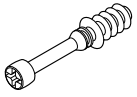


CONNECT SYSTEM



HARDWARE

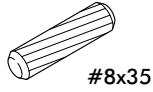
-BODY SET



x 8



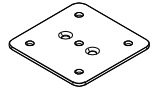
x 8



x 12



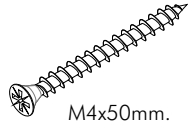
x 4



x 4



x 2



x 4



x 8



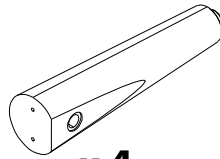
x 4



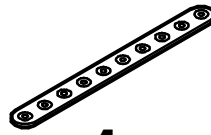
x 2



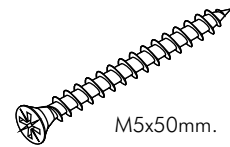
x 17



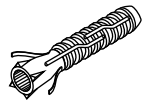
x 4



x 1

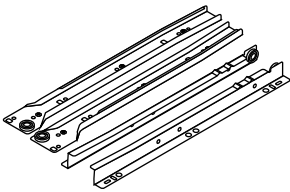


x 1

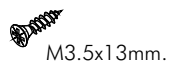


x 1

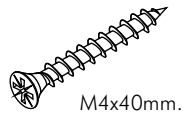
-DRAWER SET



x 1



x 14



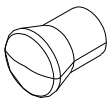
x 10



x 2



x 1

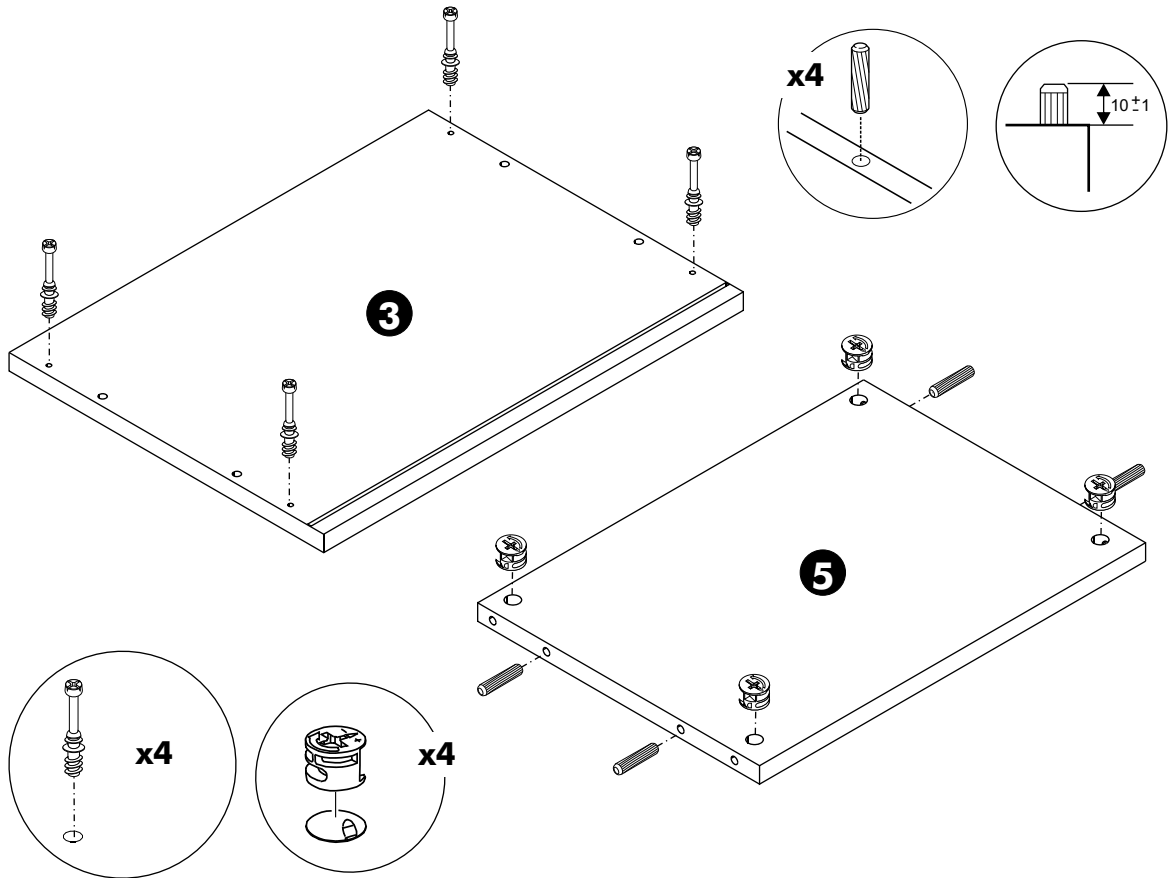


x 1

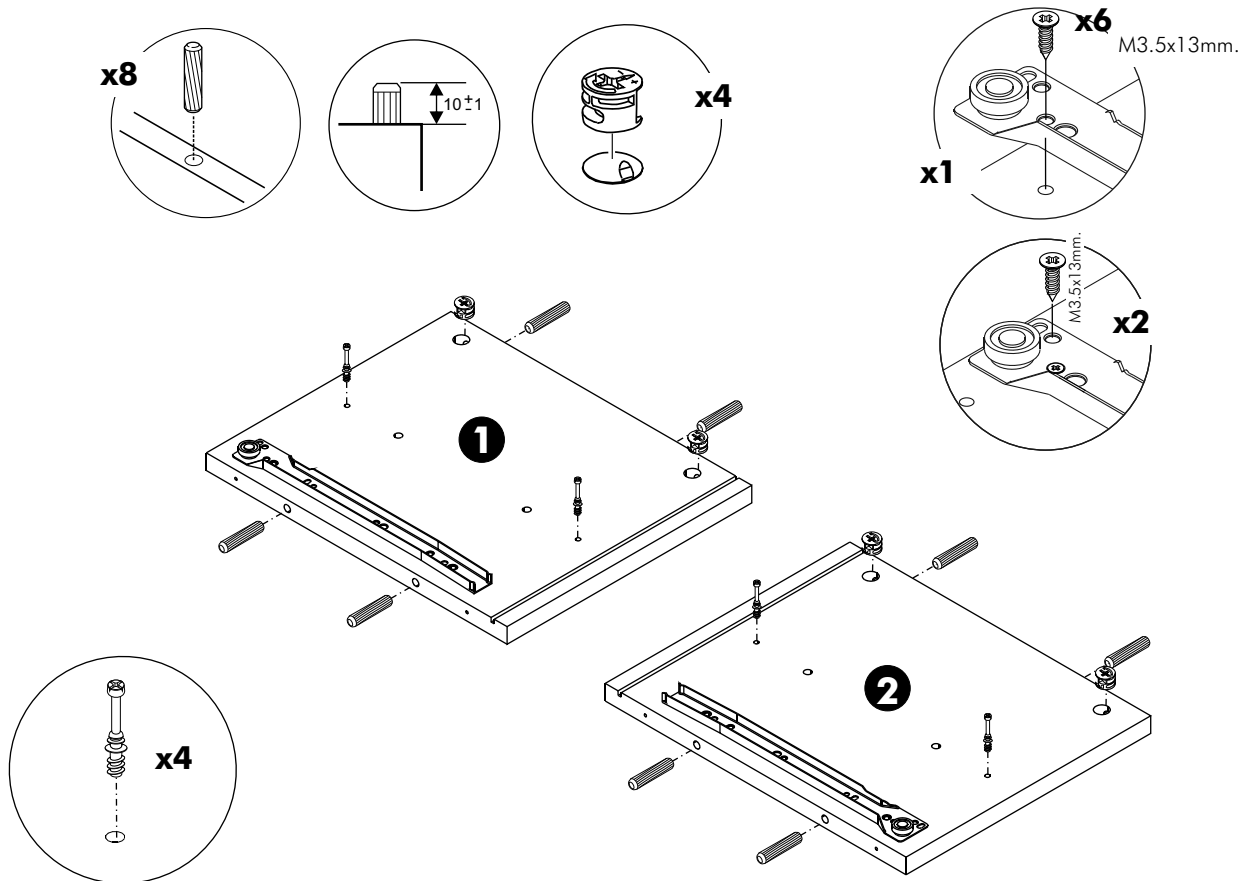


x 1

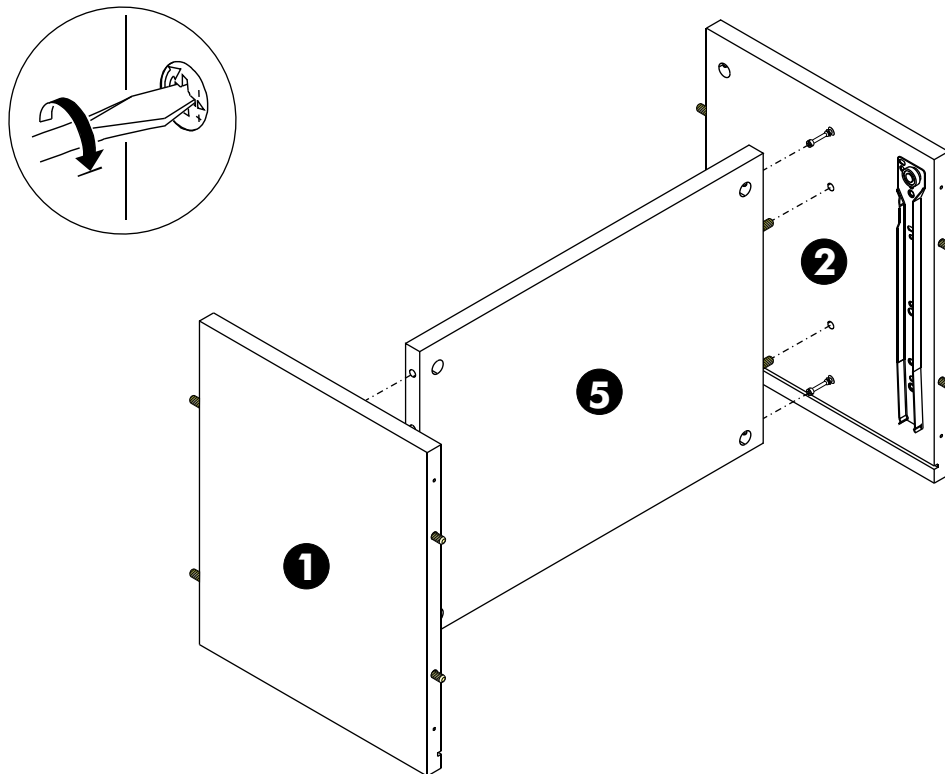
1.



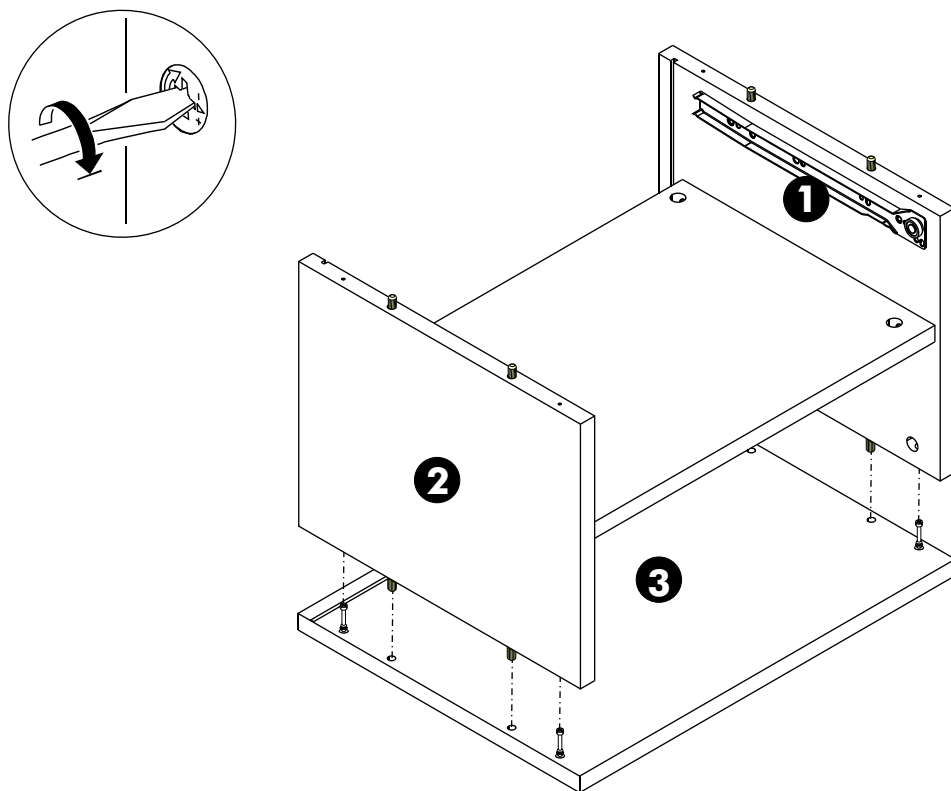
2.



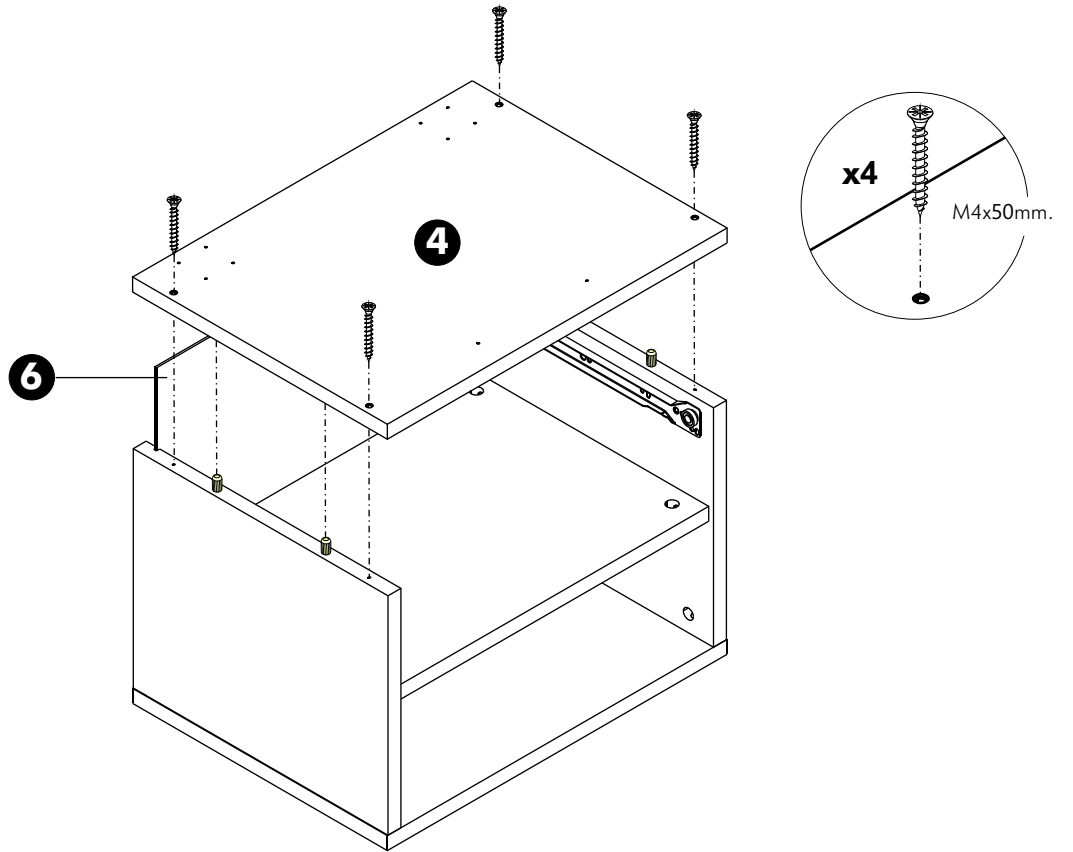
3.



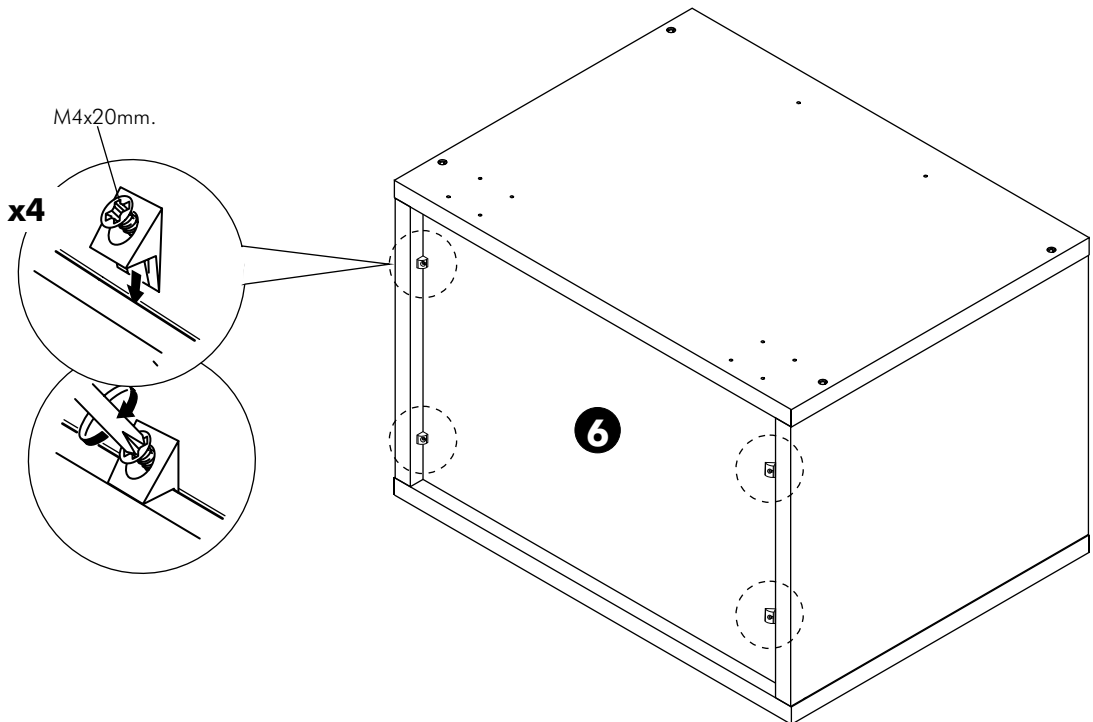
4.



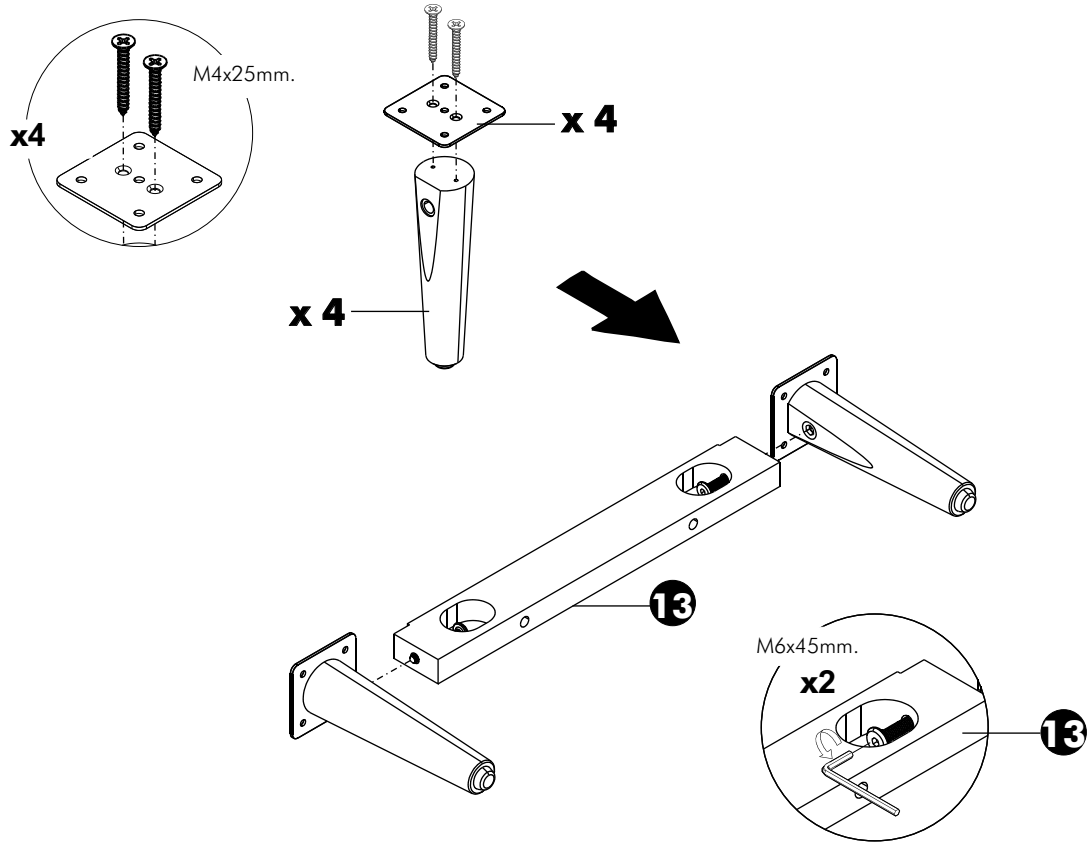
5.



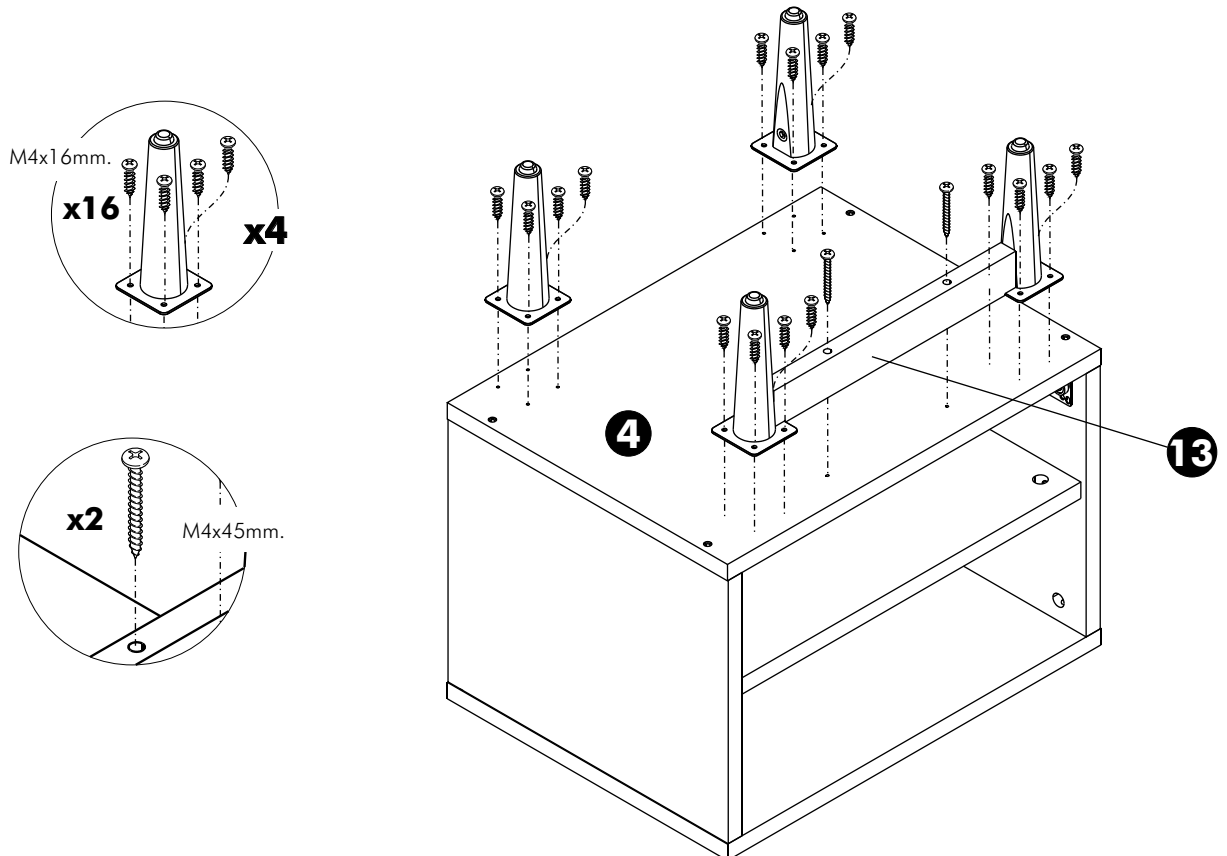
6.



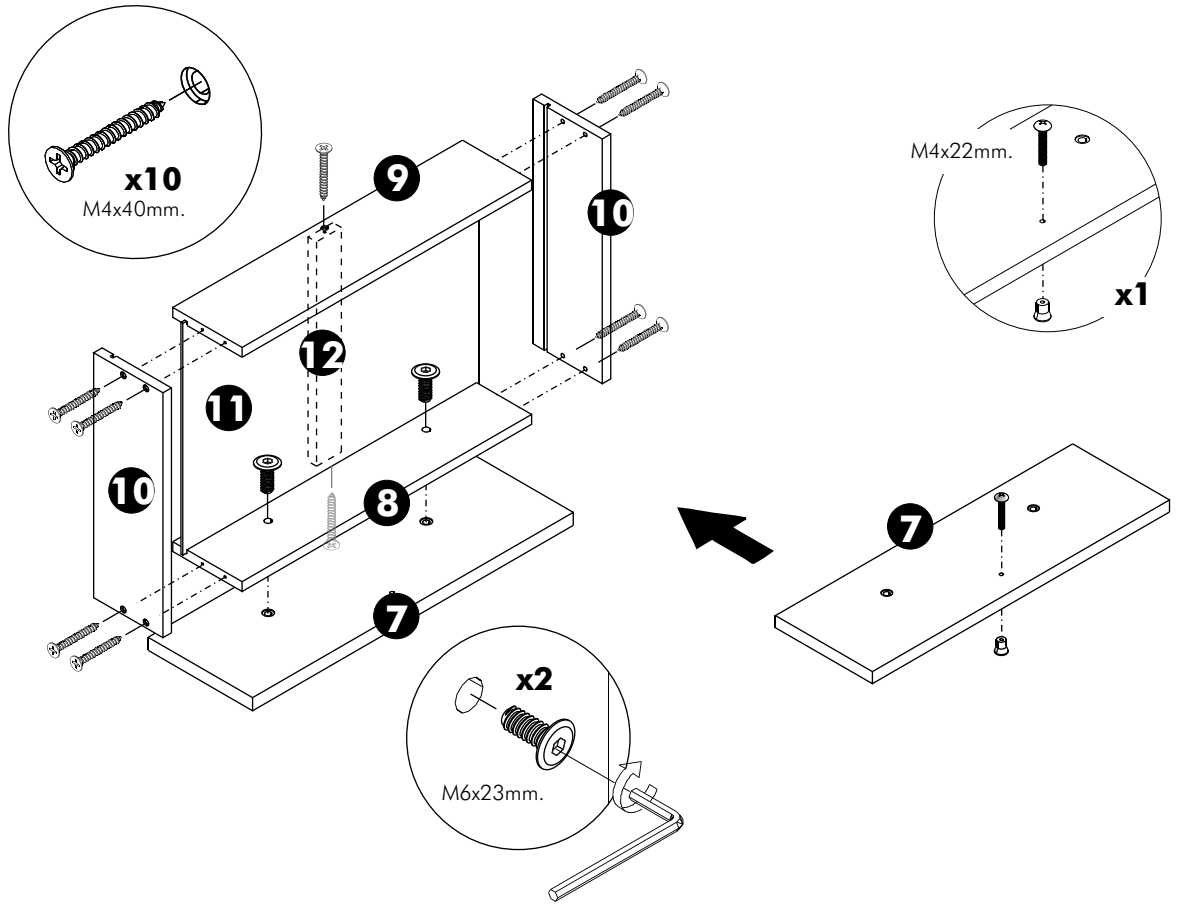
7.



8.



9.



10.

