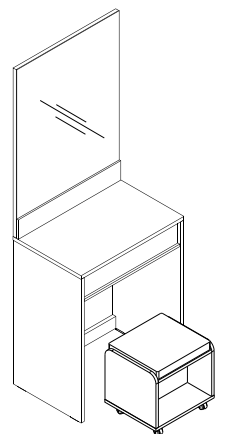
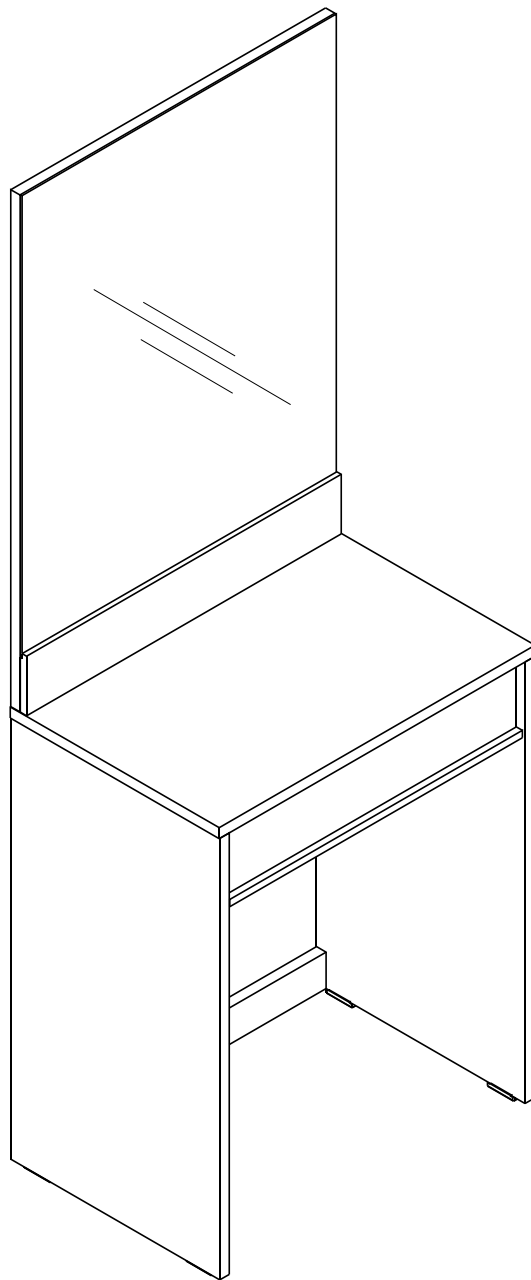
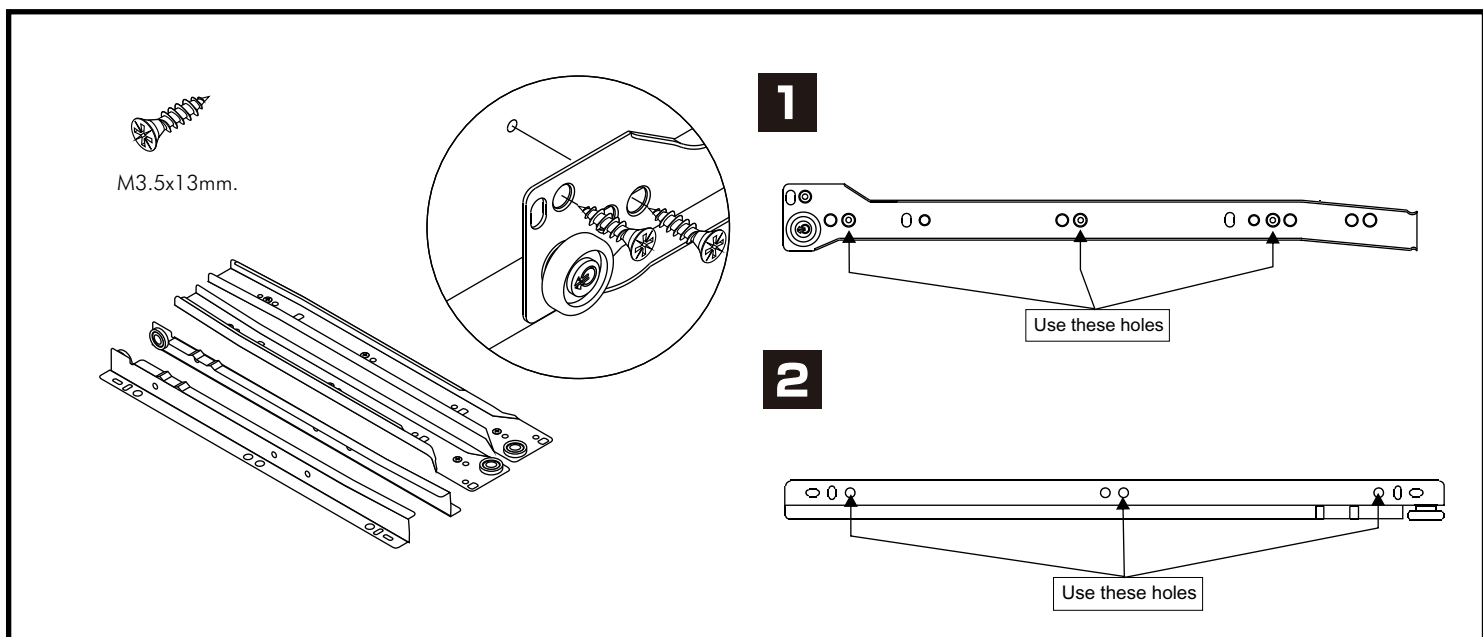
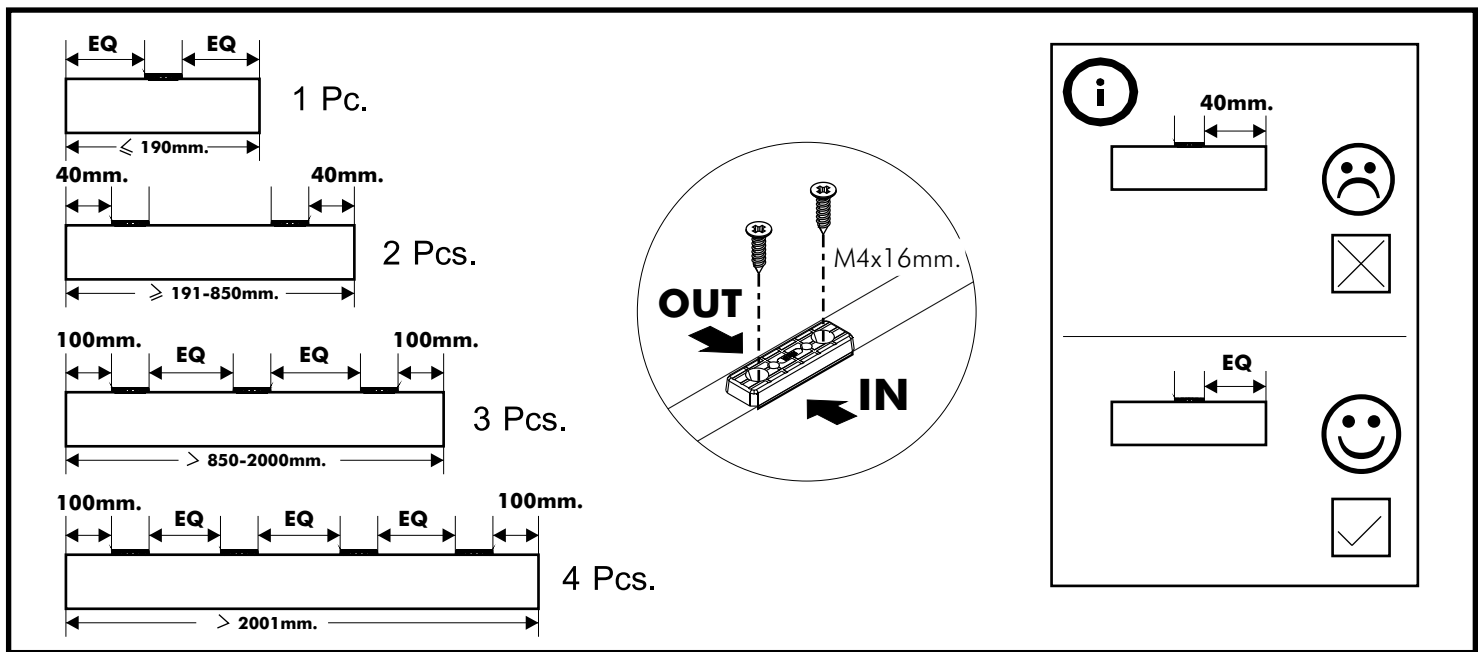
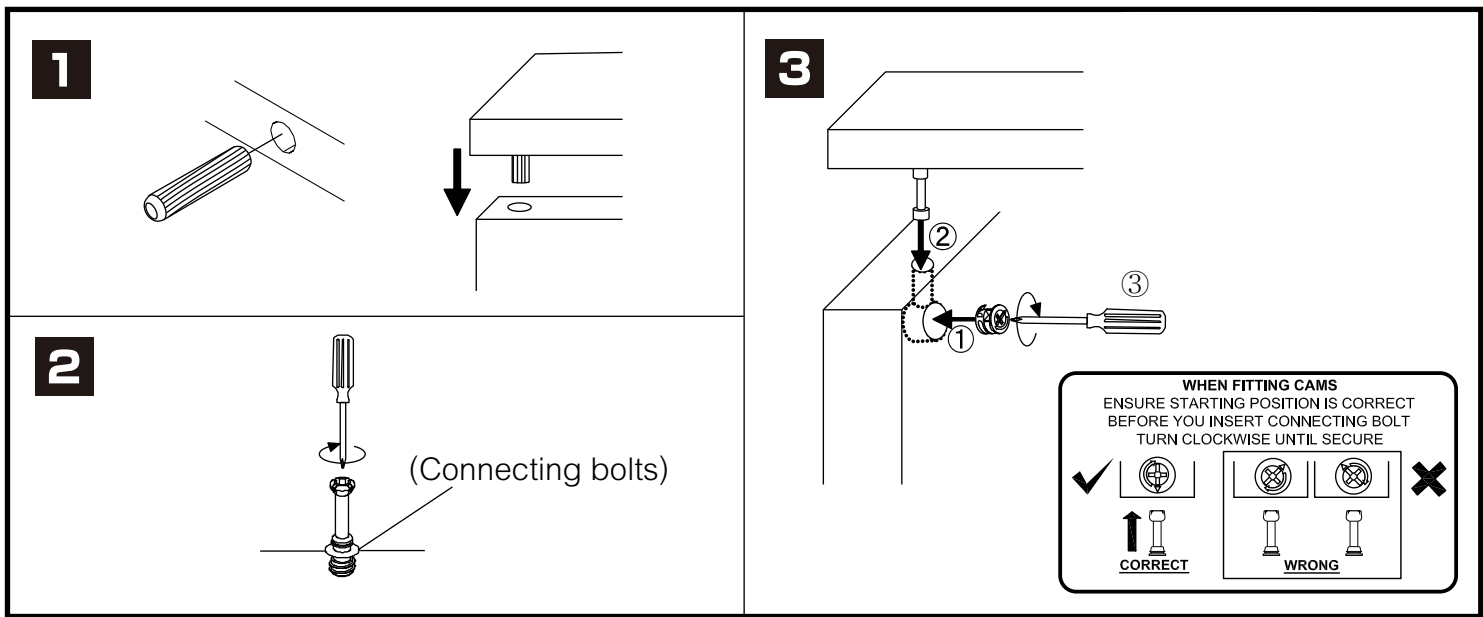


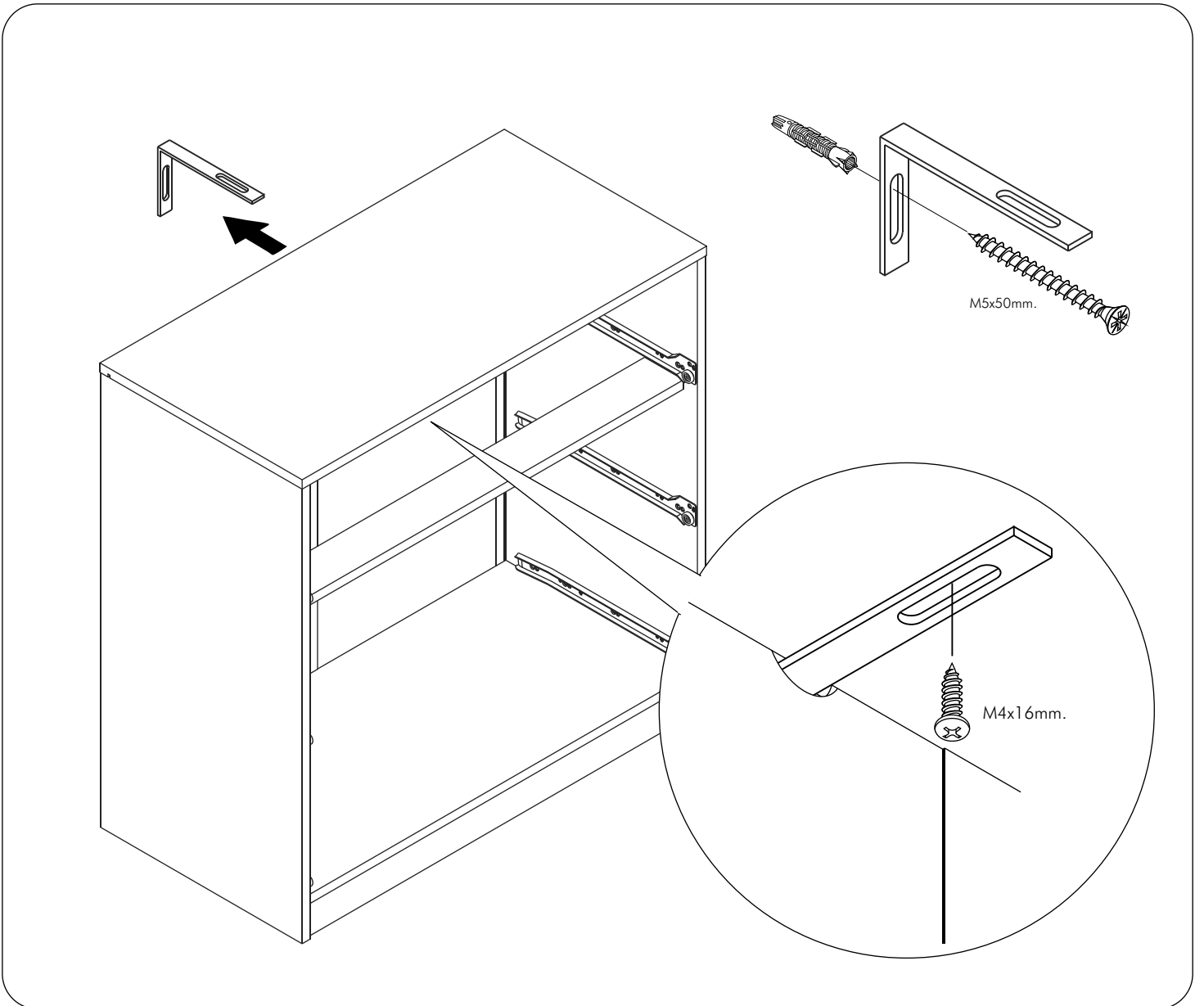
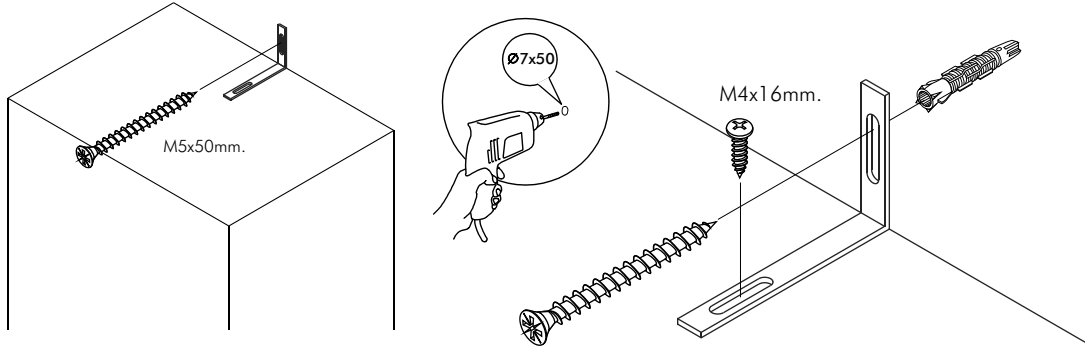
# H-PLUS/P

Dressing Table



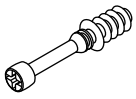
# CONNECT SYSTEM





# HARDWARE

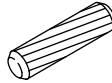
## -BODY SET



**x 12**

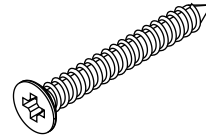


**x 12**



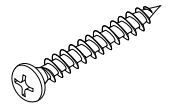
8x35mm.

**x 18**



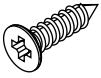
M4x40mm.

**x 3**



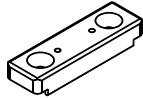
M4x30mm.

**x 10**



M4x16mm.

**x 8**

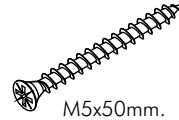


**x 4**



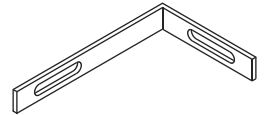
M4x16mm.

**x 1**

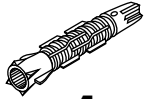


M5x50mm.

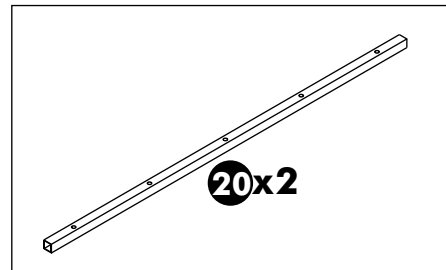
**x 1**



**x 1**

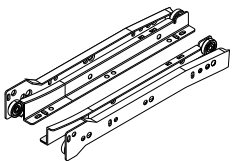


**x 1**



**20x2**

## -DRAWER SET

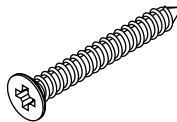


**x 1**



M3.5x13mm.

**x 14**



M4x40mm.

**x 13**



M6x23mm.

**x 3**

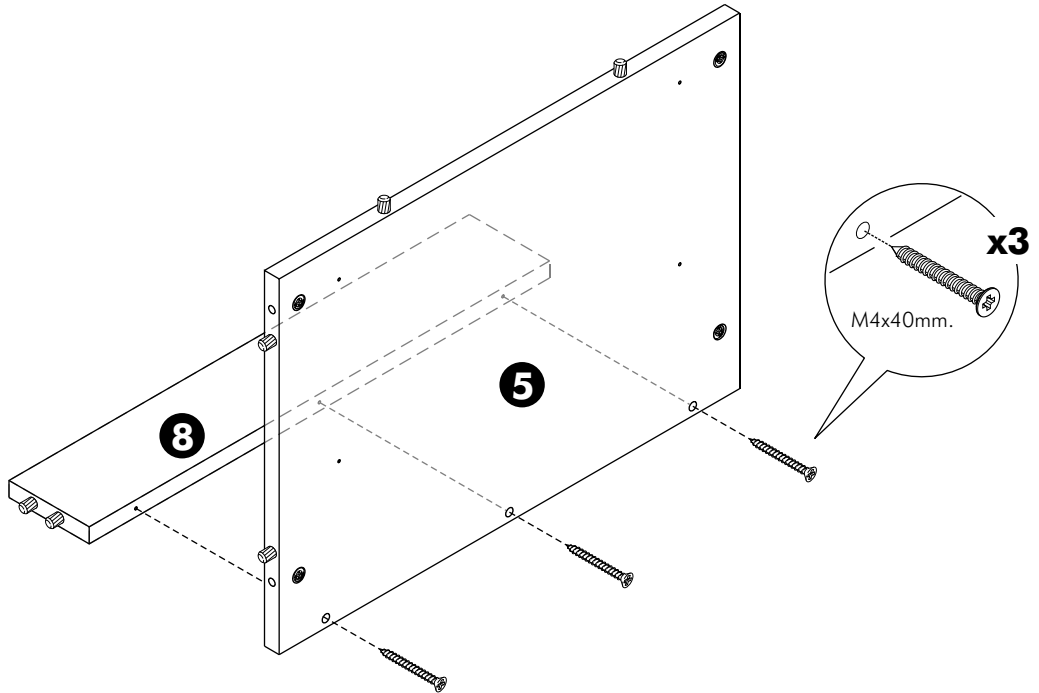


**x 1**

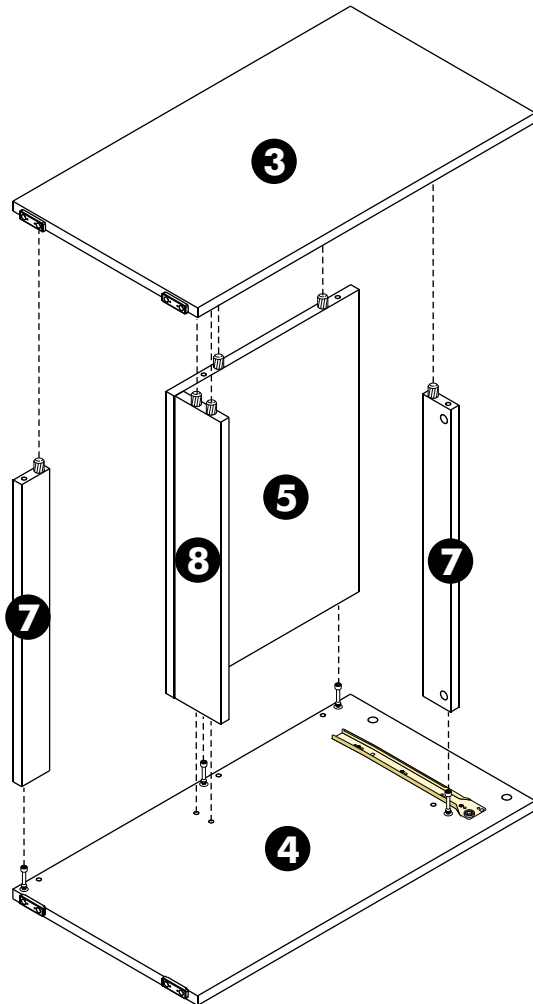
# ASSEMBLY

-BODY SET

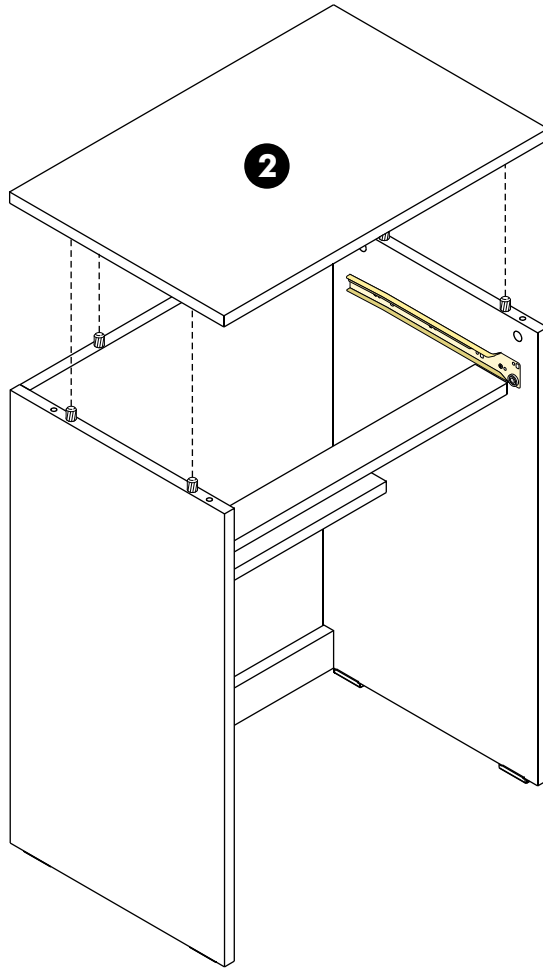
**1.**



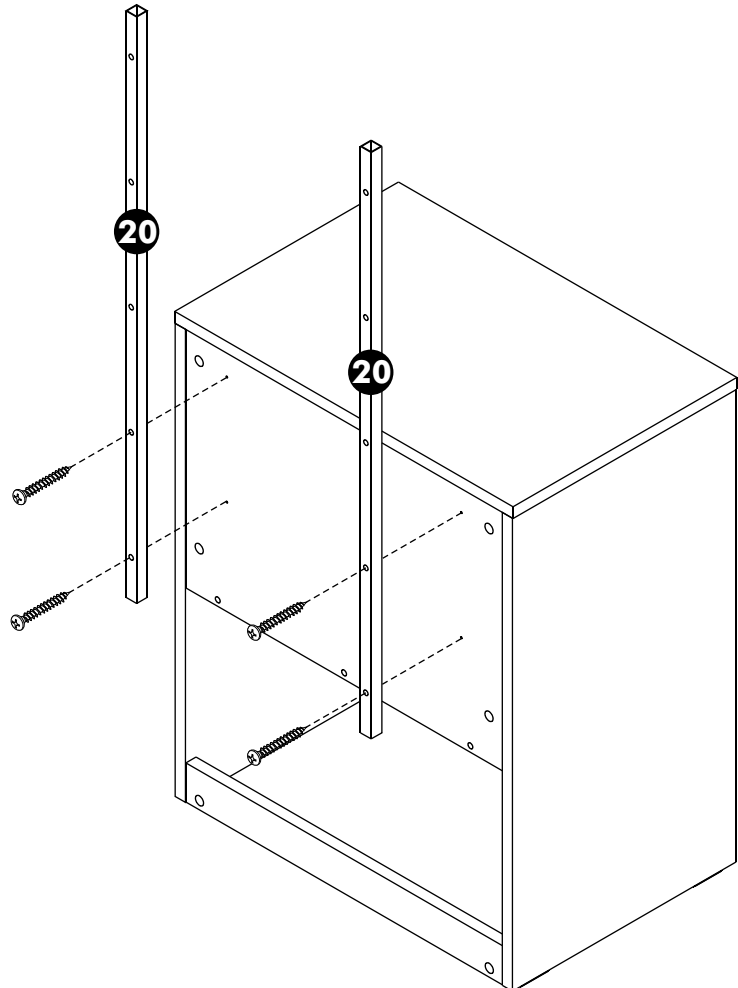
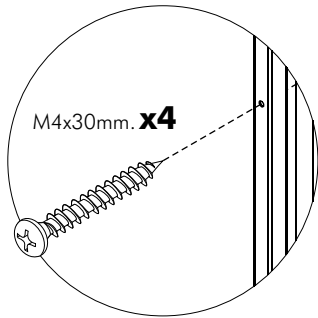
**2.**



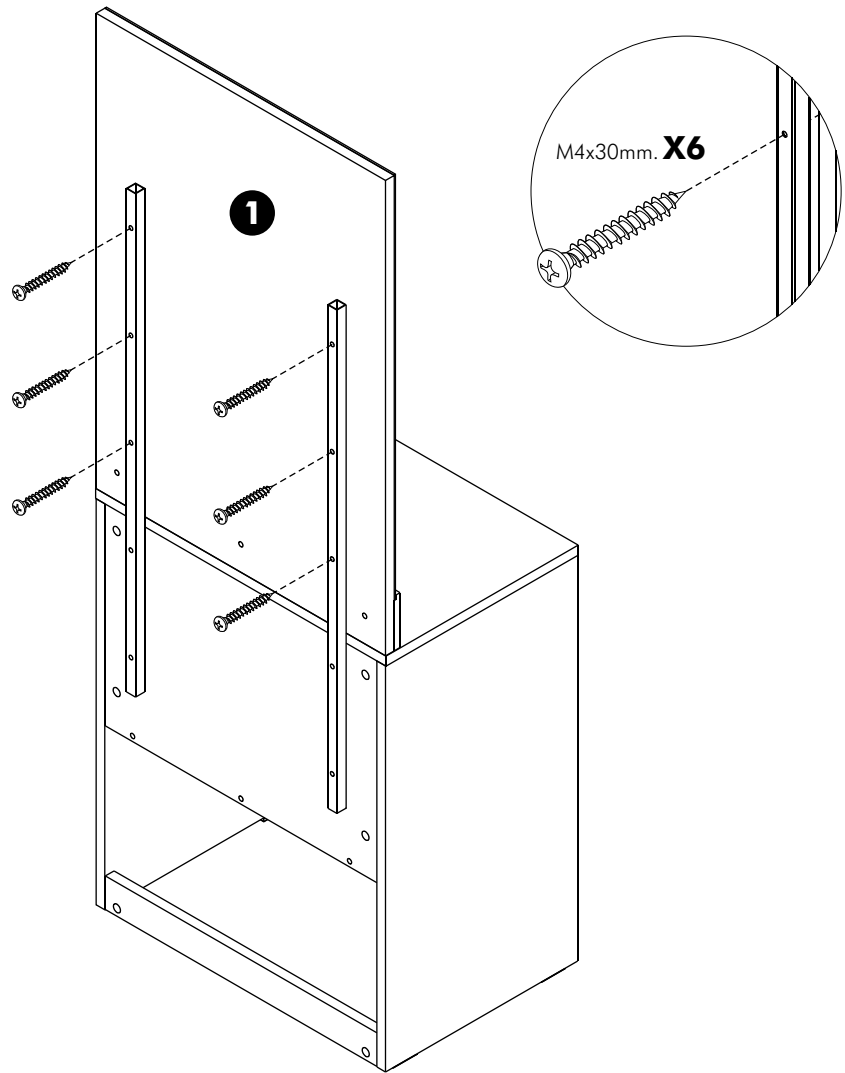
**3.**



**4.**



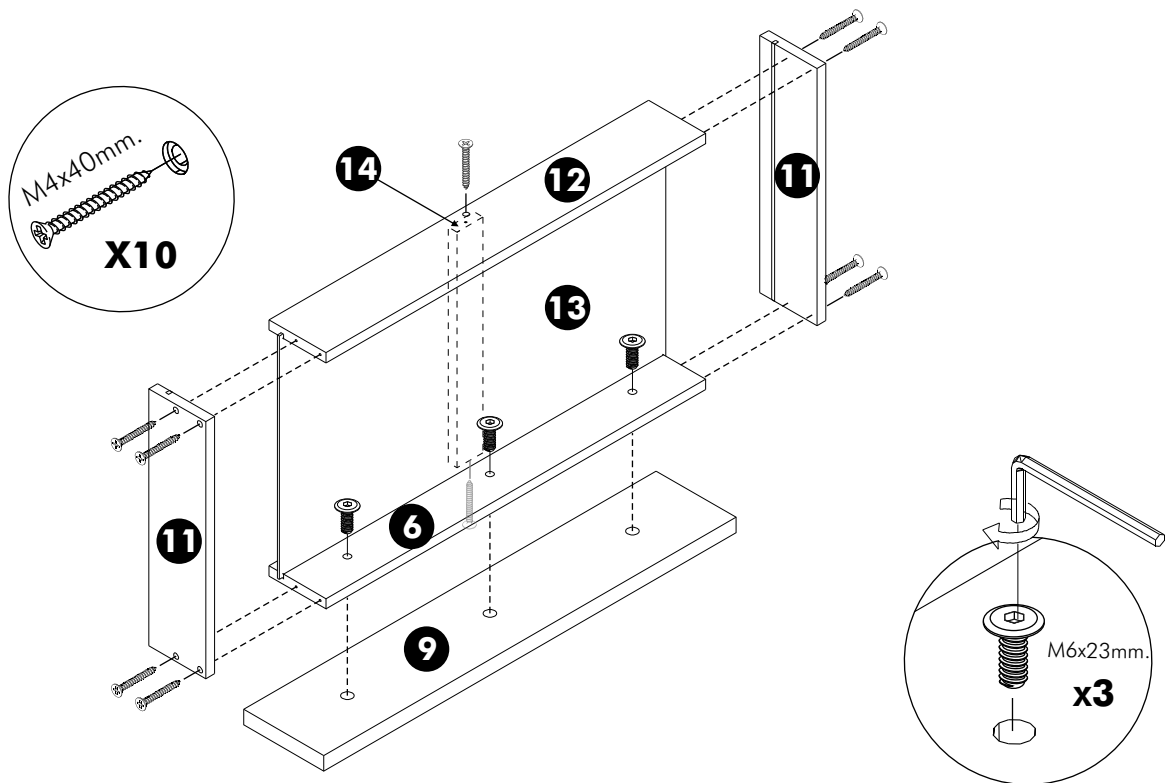
**5.**



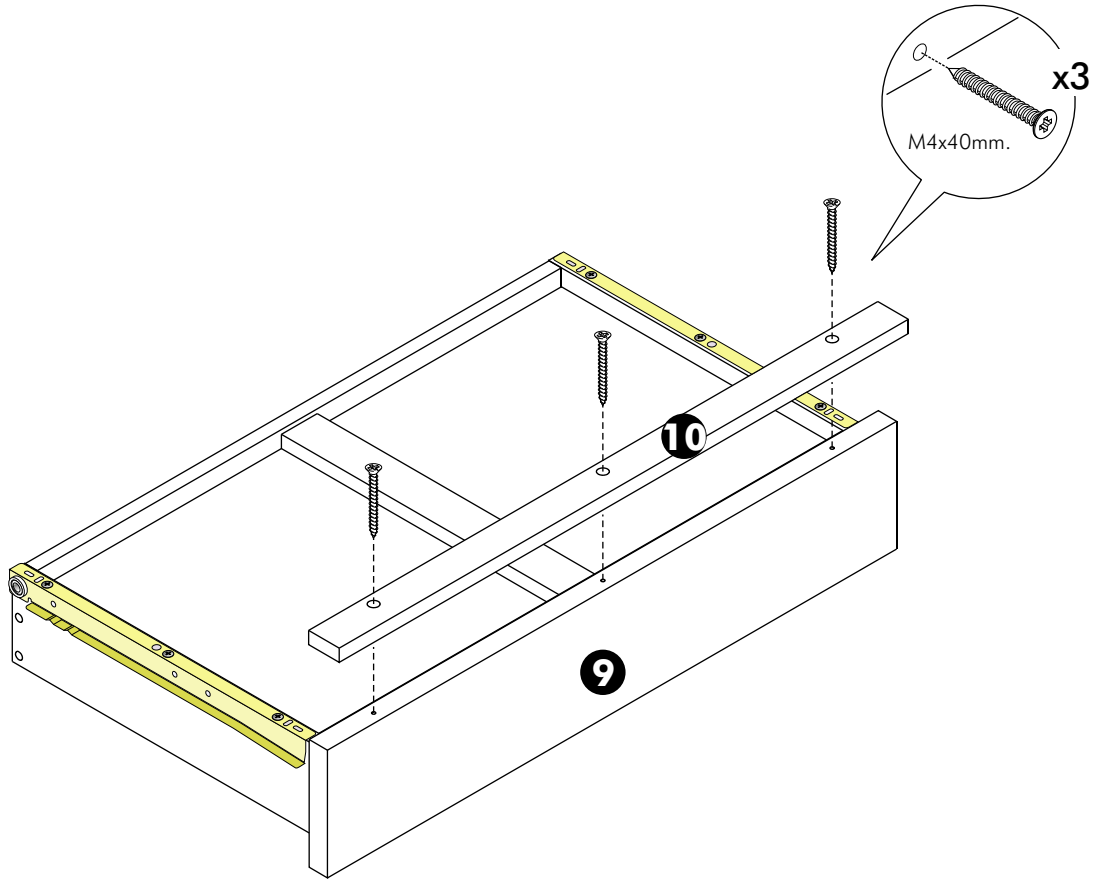
**6.**

**ASSEMBLY**

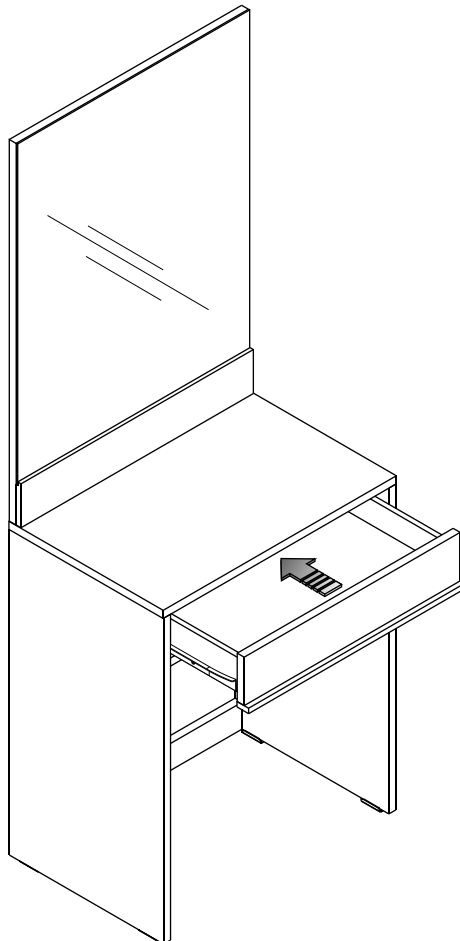
-DRAWER SET



**7.**

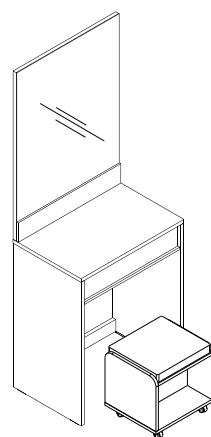
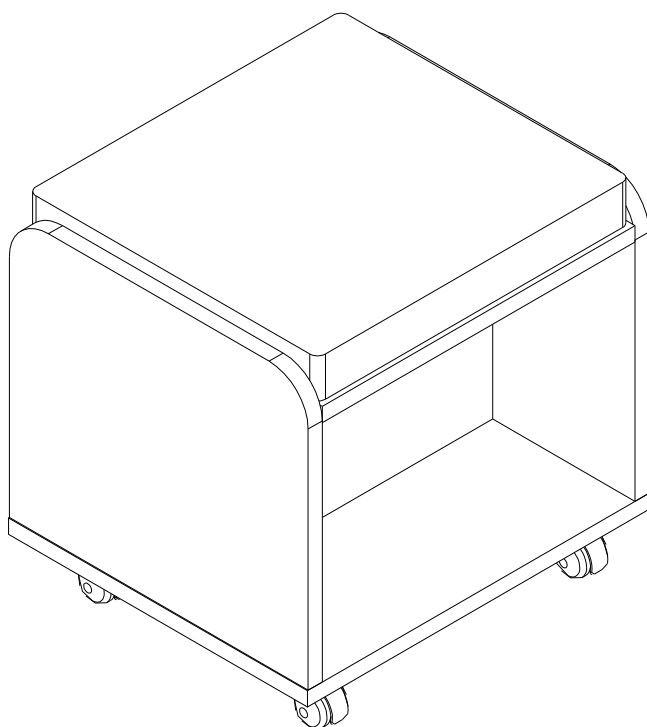


**8.**



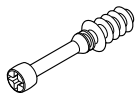
# NB PLUS/P

Dressing Table



**HARDWARE**

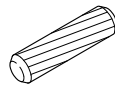
-BODY SET



**x 4**



**x 4**



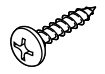
6x35mm.

**x 12**



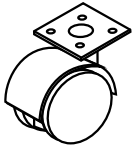
M4x40mm.

**x 4**



M3.5x13mm.

**x 16**

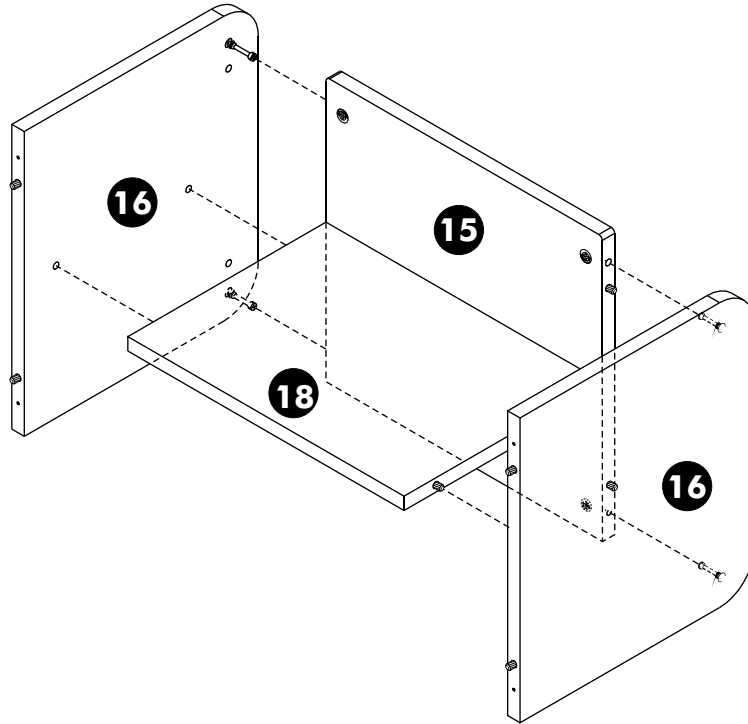


**x 4**

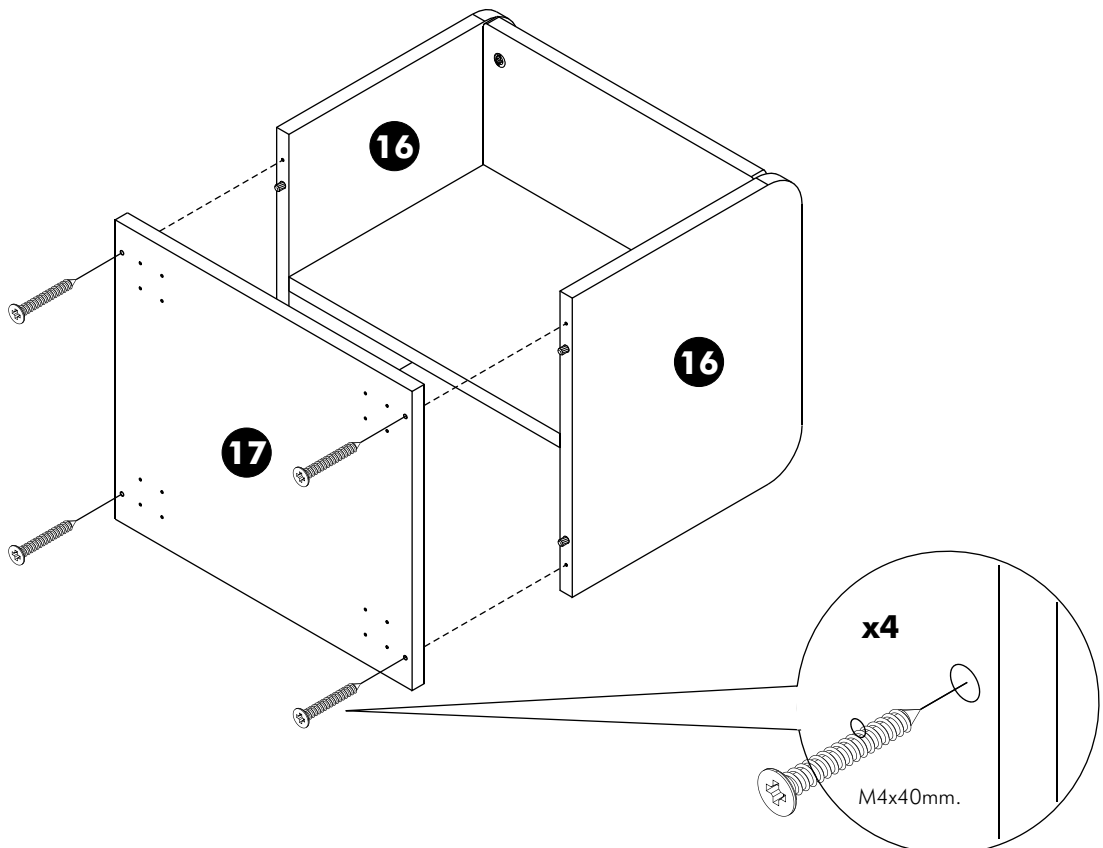
# ASSEMBLY

-BODY SET

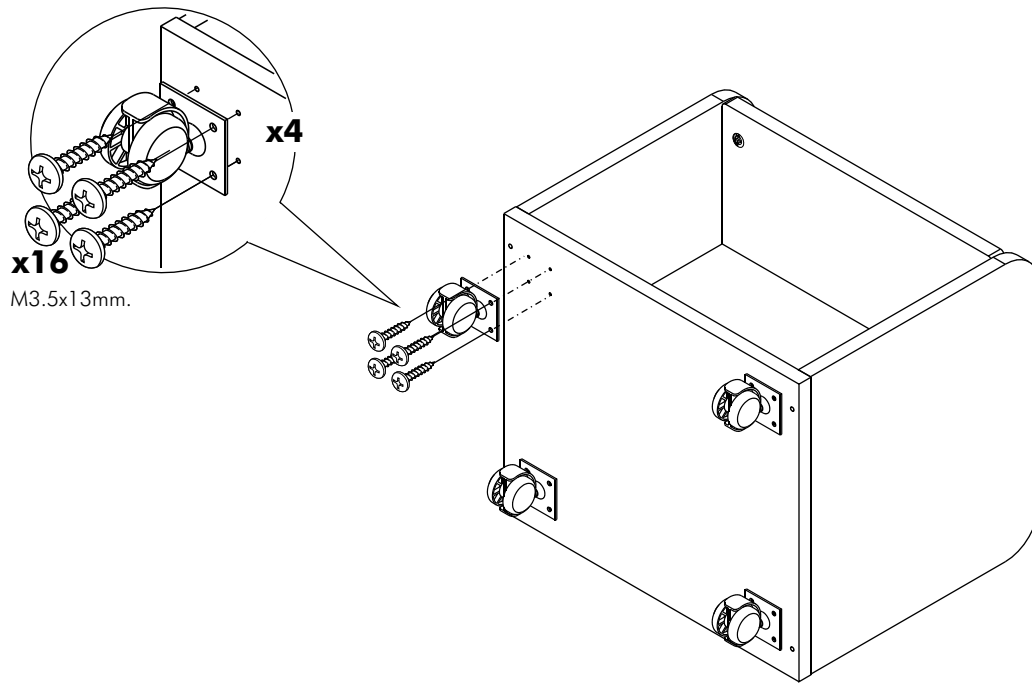
**1.**



**2.**



**3.**



**4.**

