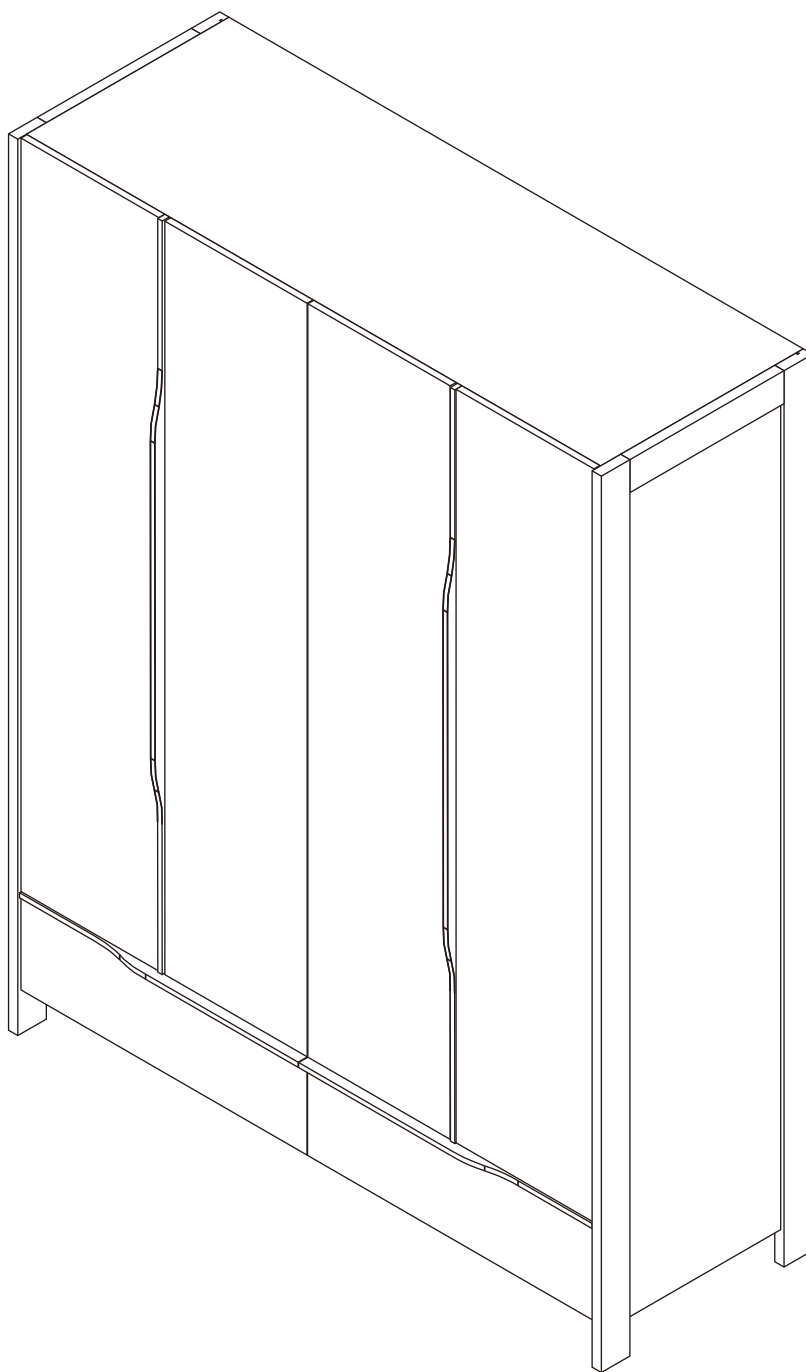


# STOCKHOLM-P

Wardrobe 4 drs+drawer



# CONNECT SYSTEM

**1**

**3**

**2**

(Connecting bolts)

WHEN FITTING CAMS  
ENSURE STARTING POSITION IS CORRECT  
BEFORE YOU INSERT CONNECTING BOLT  
TURN CLOCKWISE UNTIL SECURE

✓

↑

**CORRECT**

✗

↓

**WRONG**

EQ EQ 1 Pc.  $\leq 190\text{mm.}$

40mm. 40mm. 2 Pcs.  $\geq 191-850\text{mm.}$

100mm. EQ EQ 100mm. 3 Pcs.  $> 850-2000\text{mm.}$

100mm. EQ EQ EQ 100mm. 4 Pcs.  $> 2001\text{mm.}$

M4x16mm.

OUT

IN

**i**

40mm.

☹

☒

EQ

☺

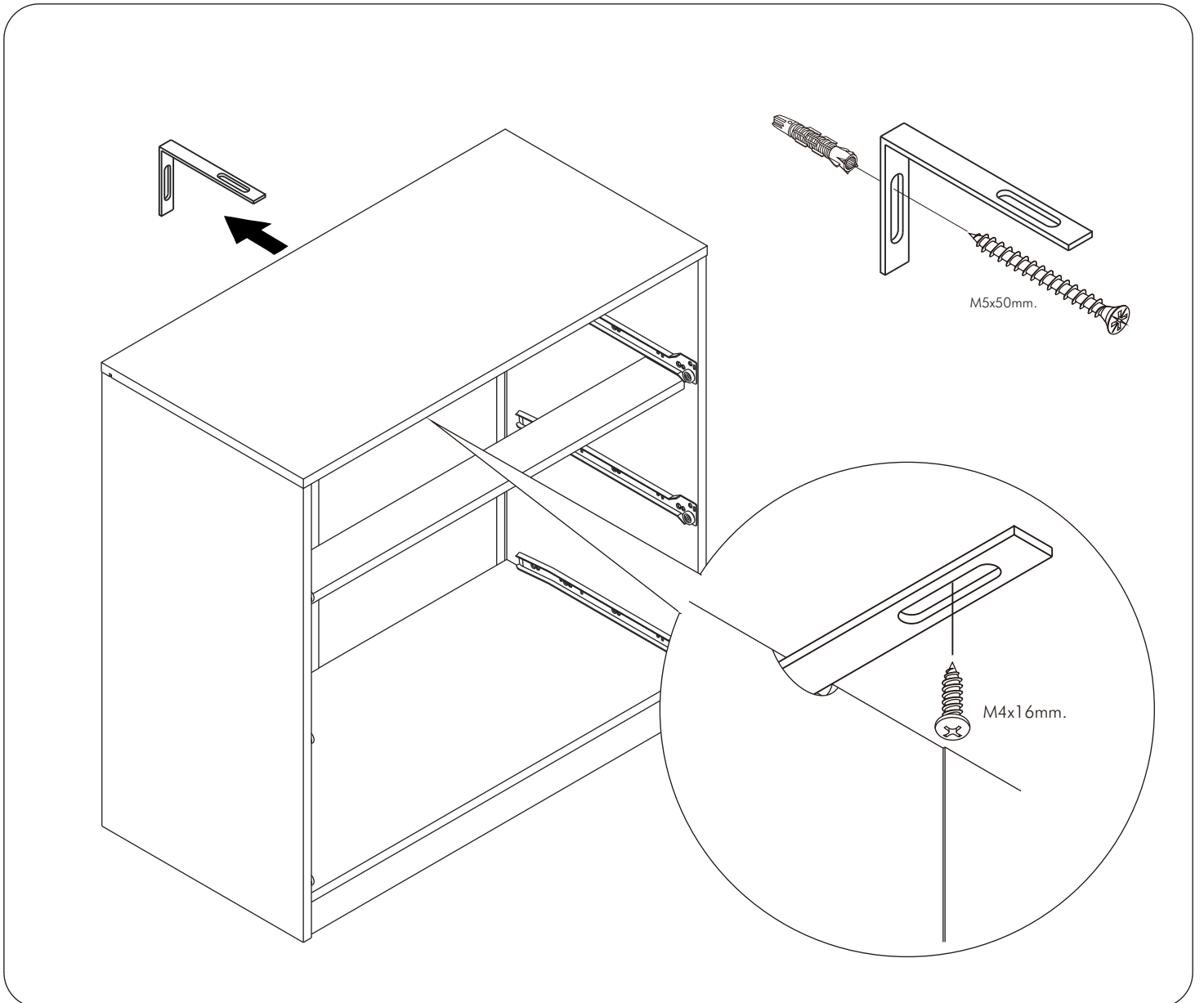
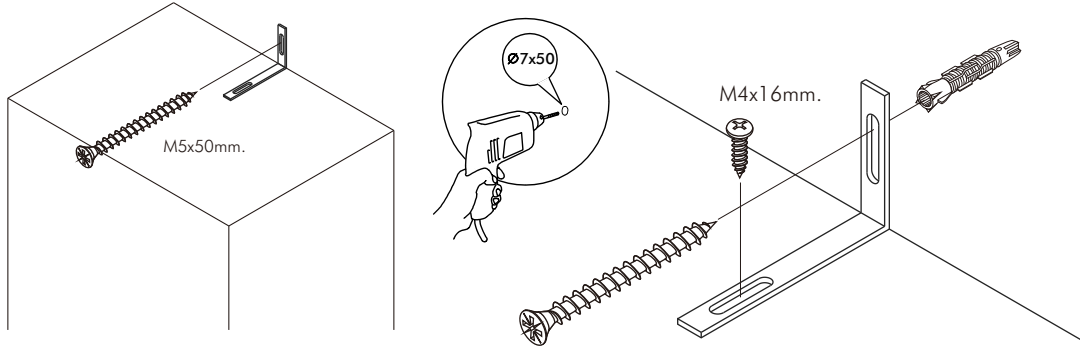
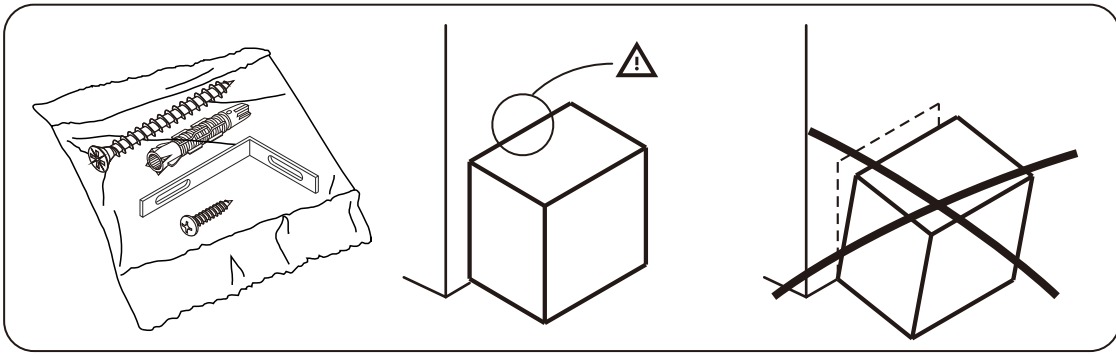
☑

**i**

DOOR PANEL

DOOR PANEL

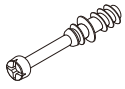
**x2**





# HARDWARE

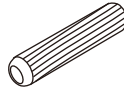
## -BODY SET



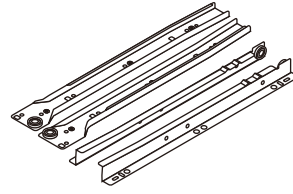
**x 42**



**x 42**



**x 44**



**x 2**



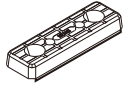
M4x25mm.

**x 6**



M3.5x20mm.

**x 4**

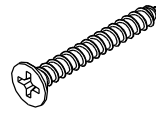


**x 4**



M6x23

**x 12**



M4x40mm.

**x 24**



M3.5x13mm.

**x 32**

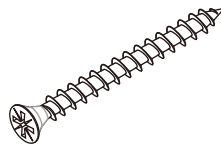


M4x16mm.

**x 23**

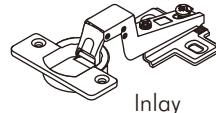


**x 1**



M4x50mm.

**x 6**



Inlay

**x 6**

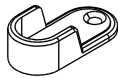


Half overlay

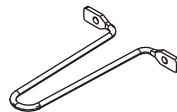
**x 6**



**x 2**



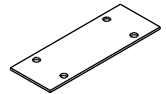
**x 2**



**x 1**



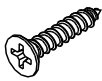
**x 14**



**x 2**



**x 4**

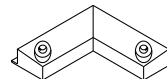


M4x16mm.

**x 56**



**x 8**

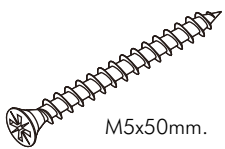


**x 2**



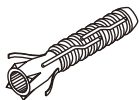
M4x13mm.

**x 11**

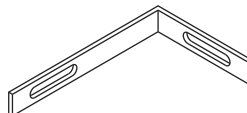


M5x50mm.

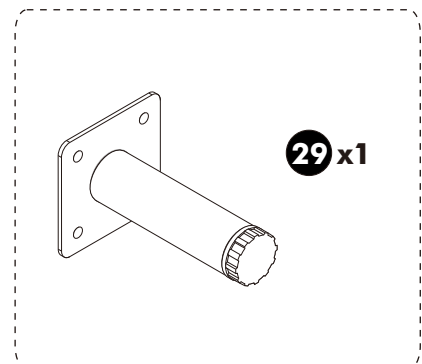
**x 2**



**x 2**



**x 2**

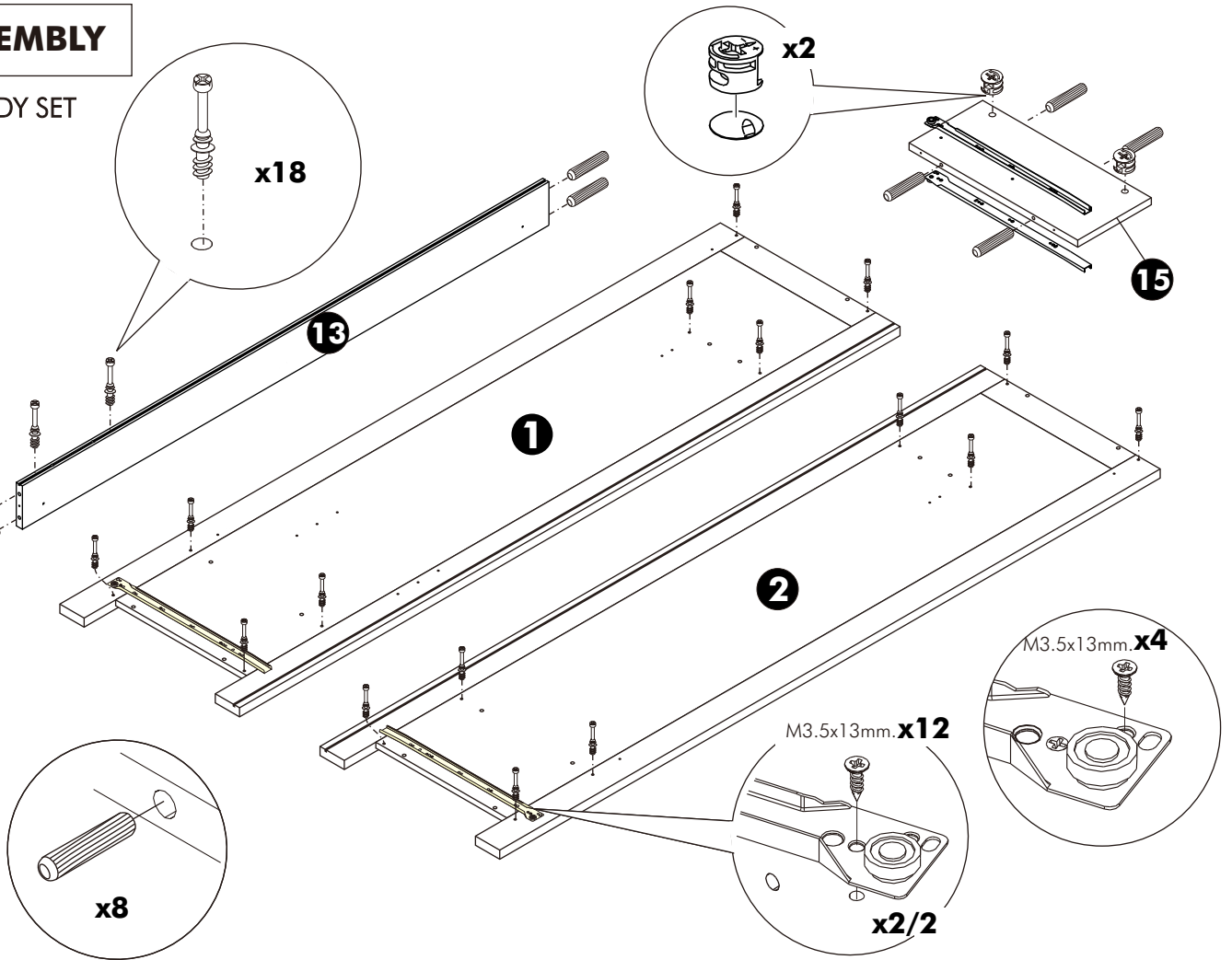


**29 x 1**

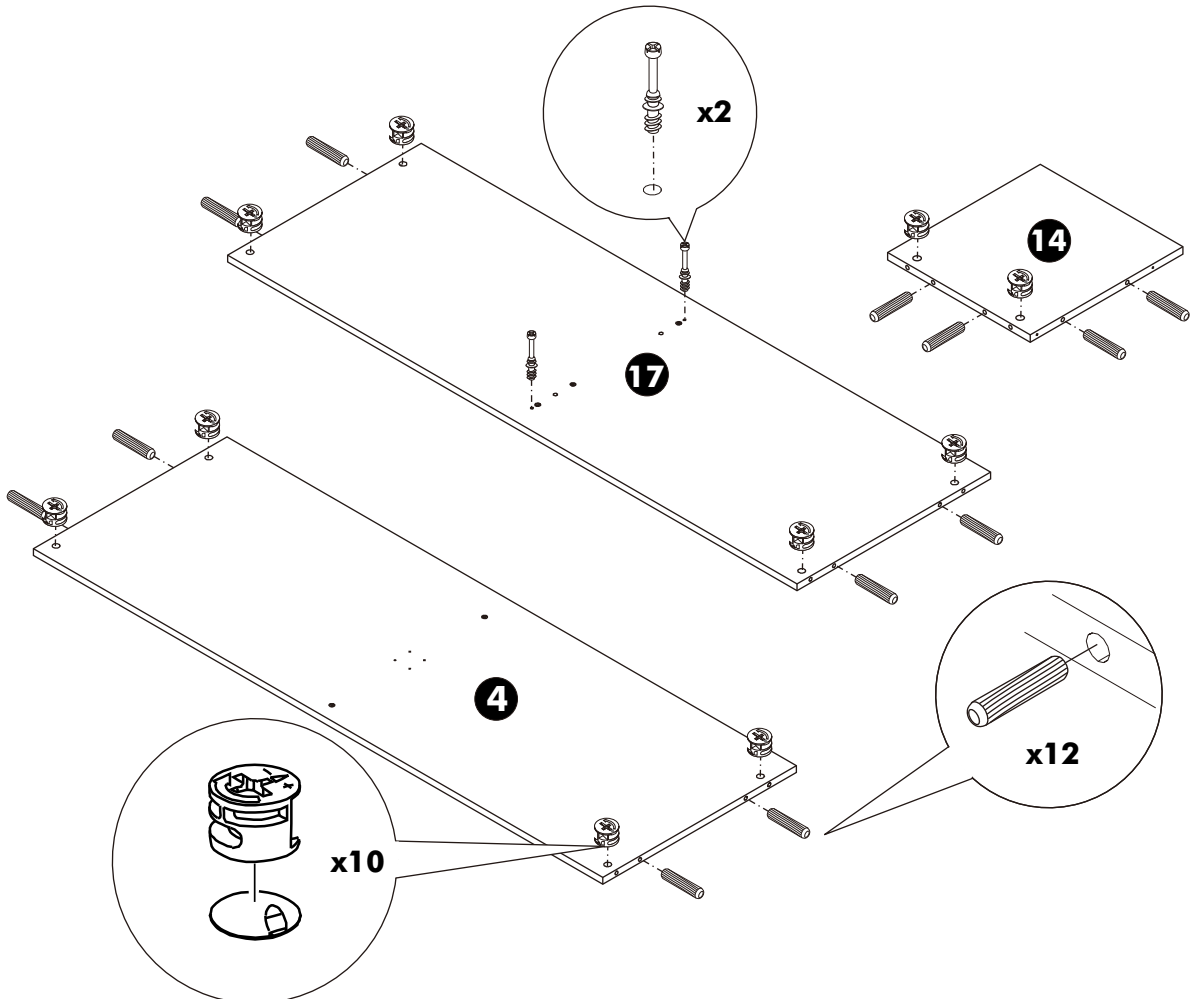
# ASSEMBLY

-BODY SET

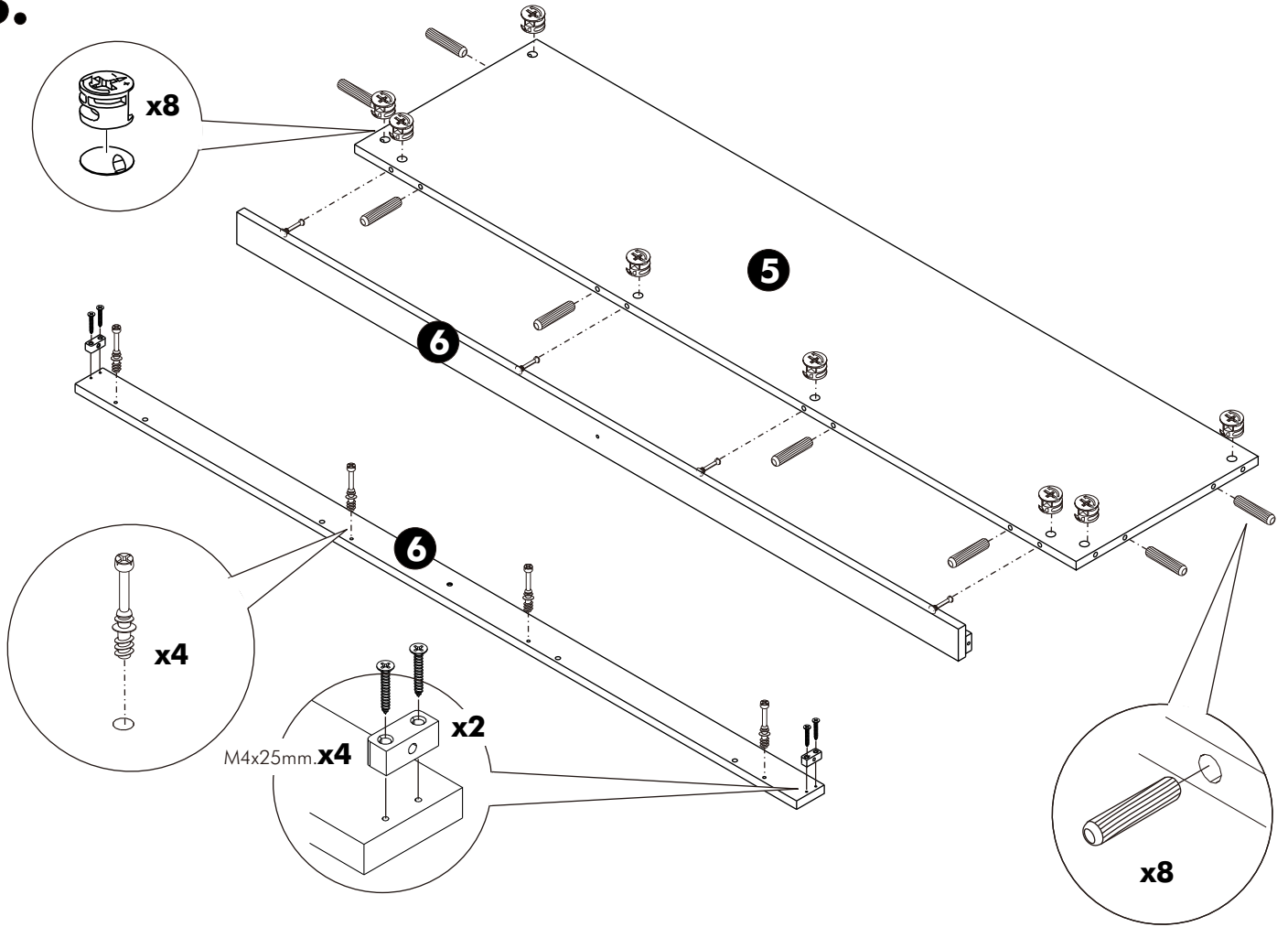
## 1.



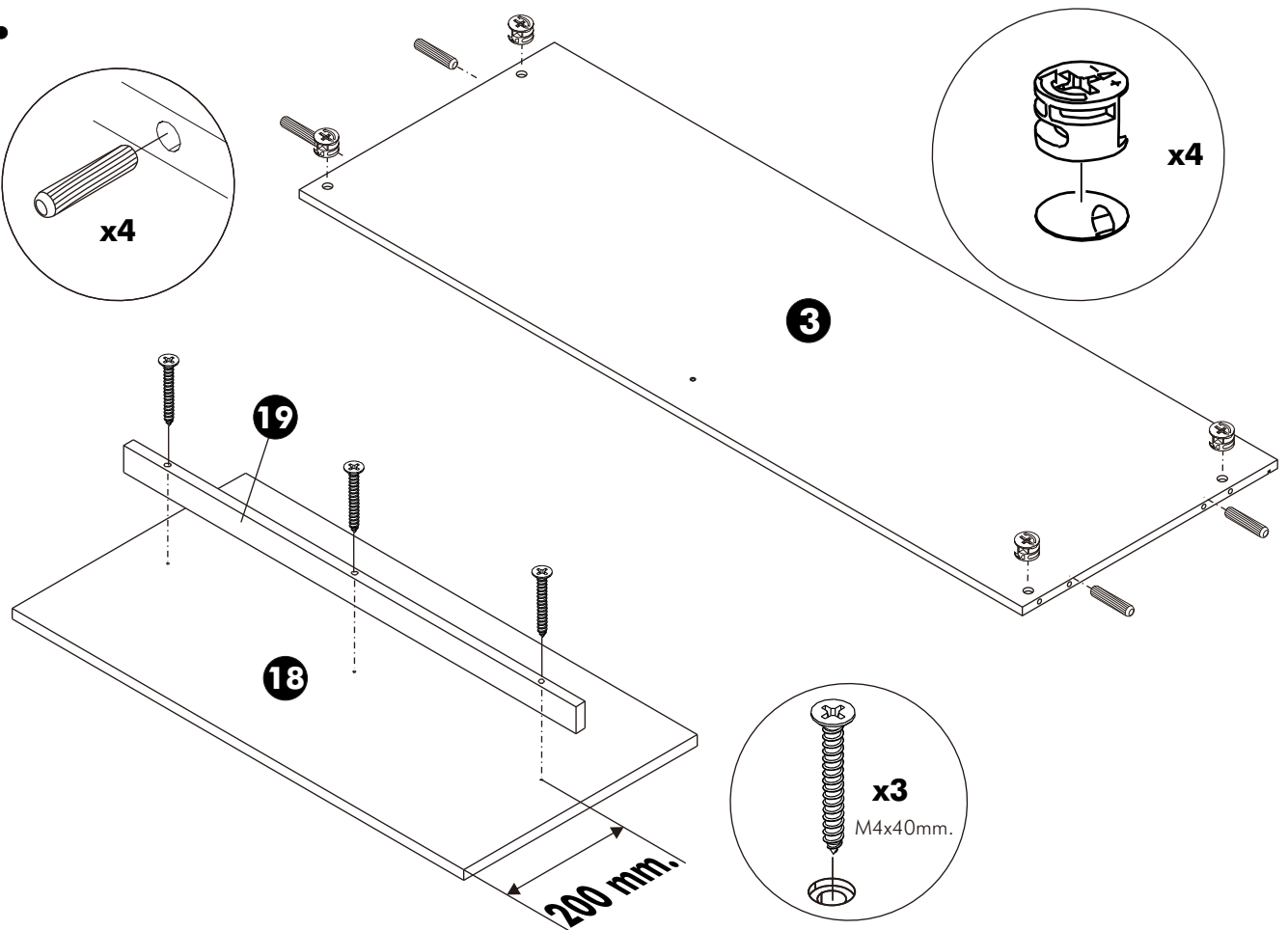
## 2.



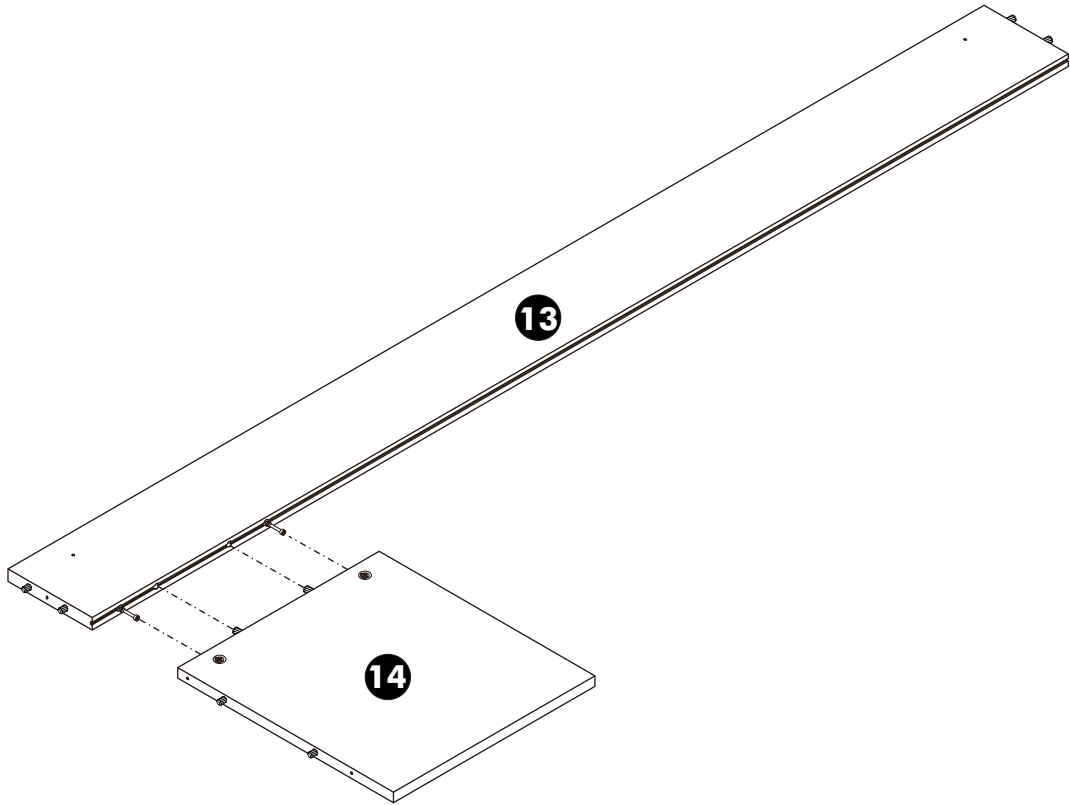
**3.**



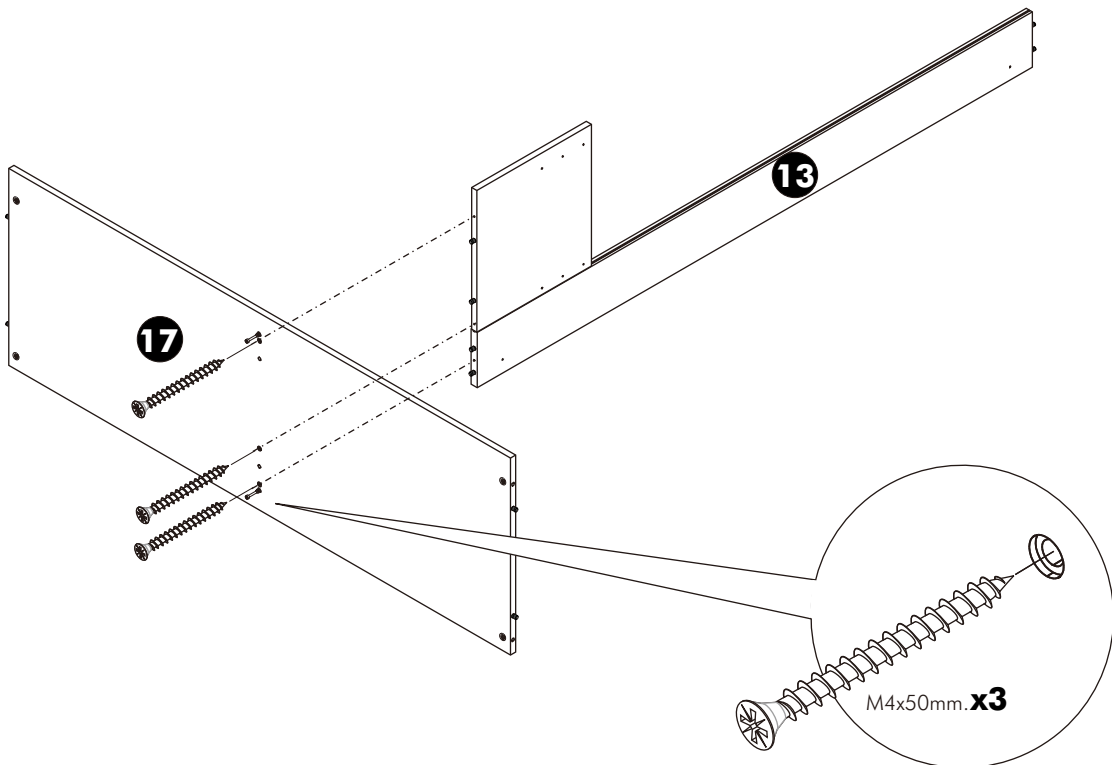
**4.**



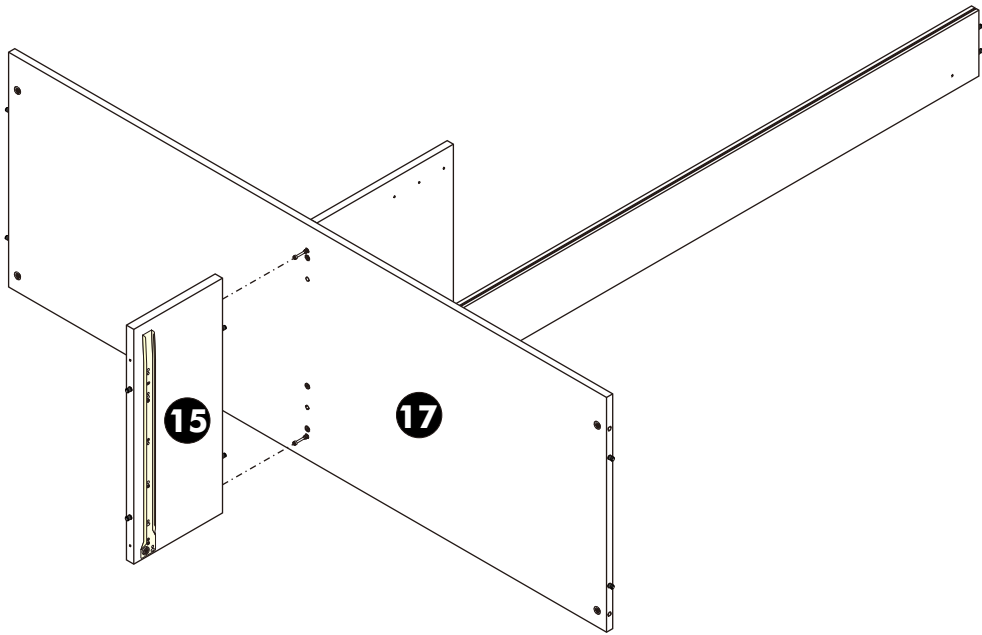
**5.**



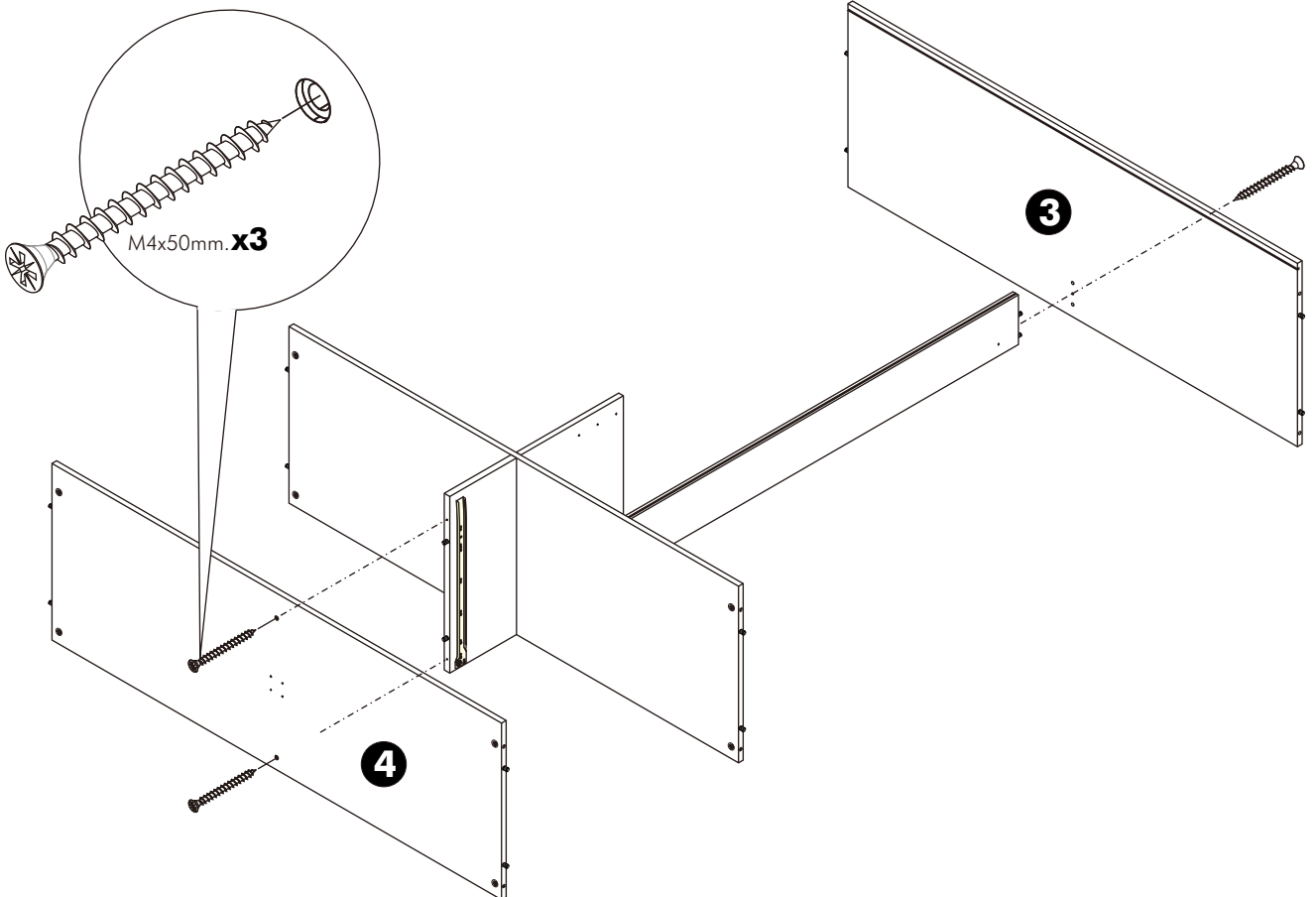
**6.**



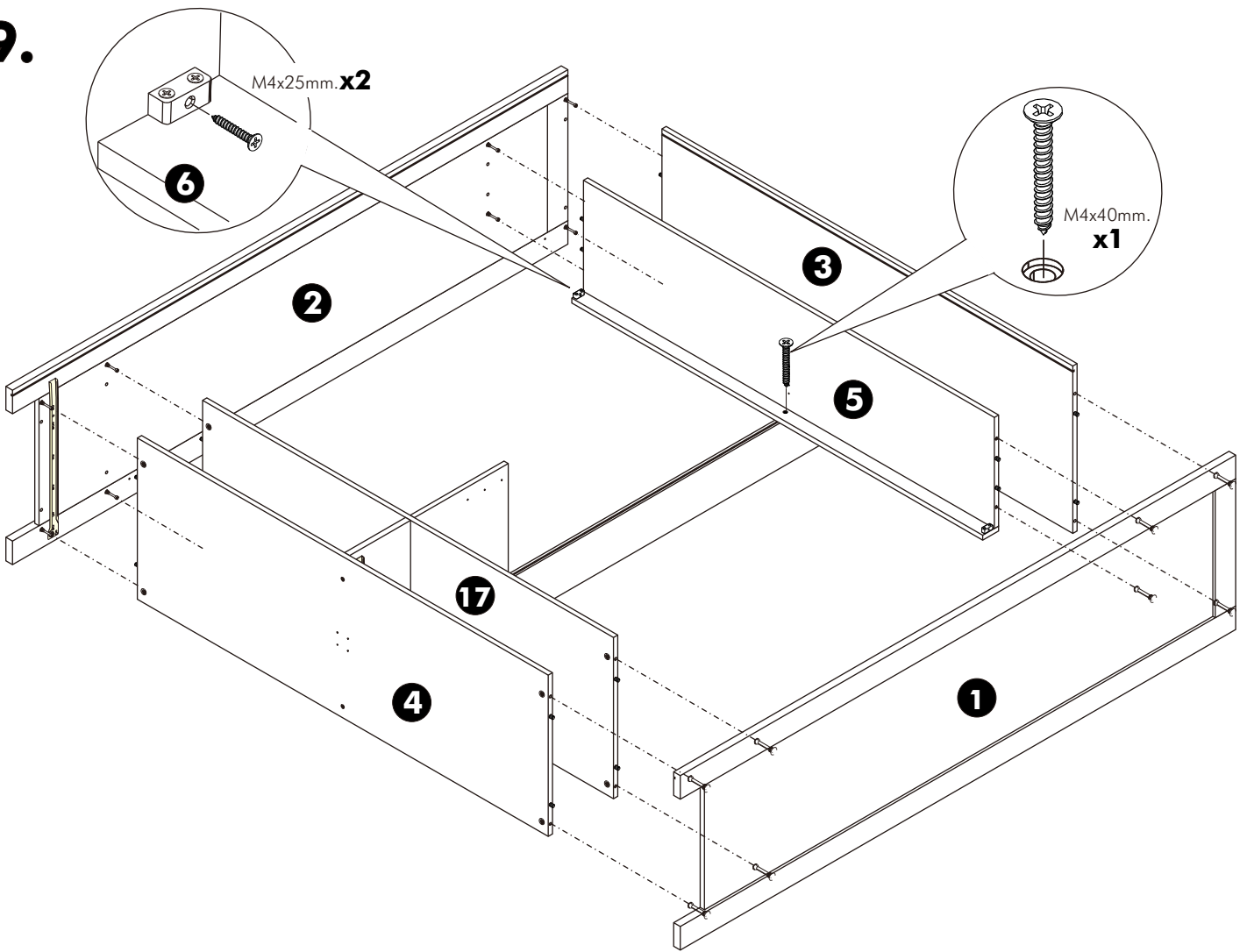
**7.**



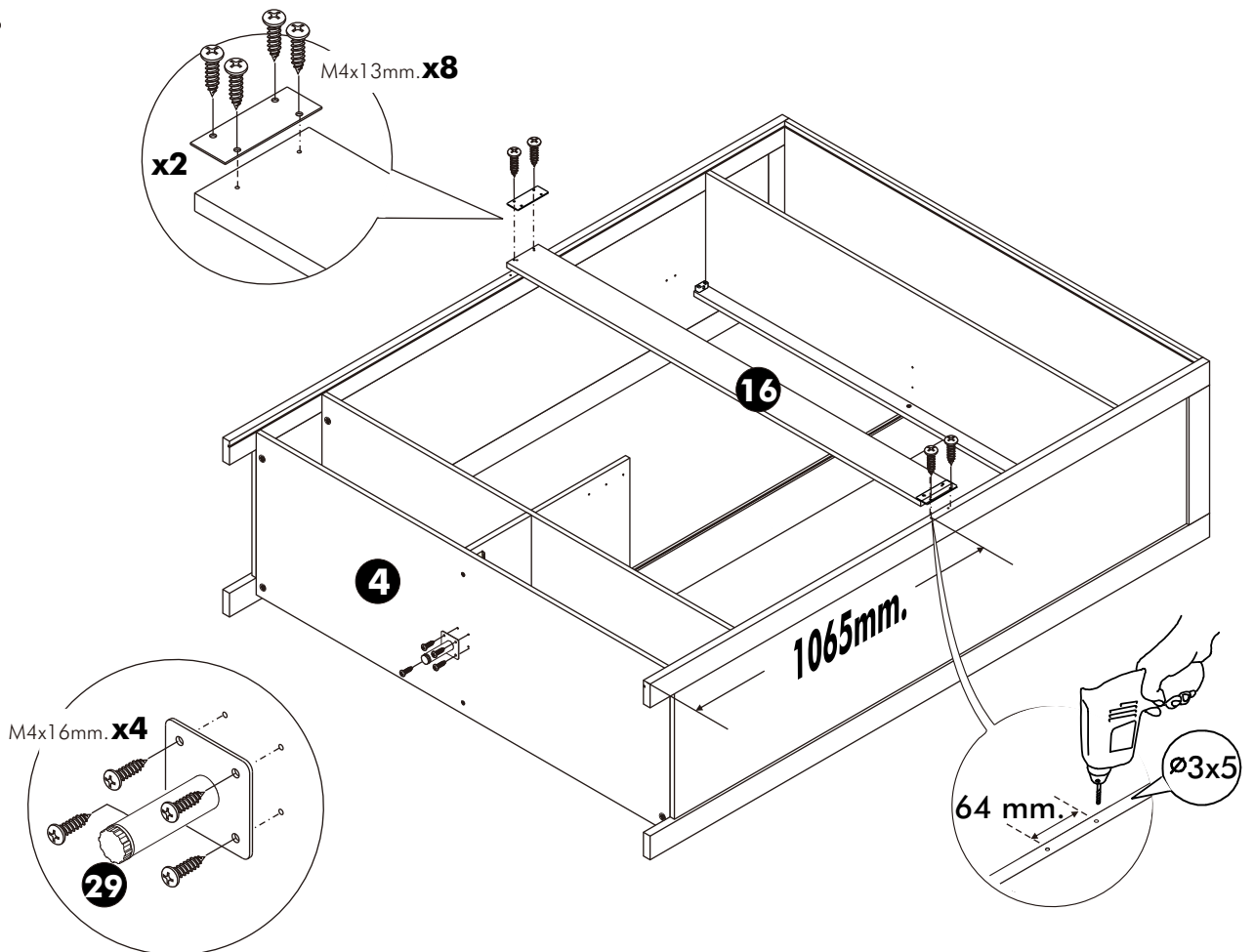
**8.**



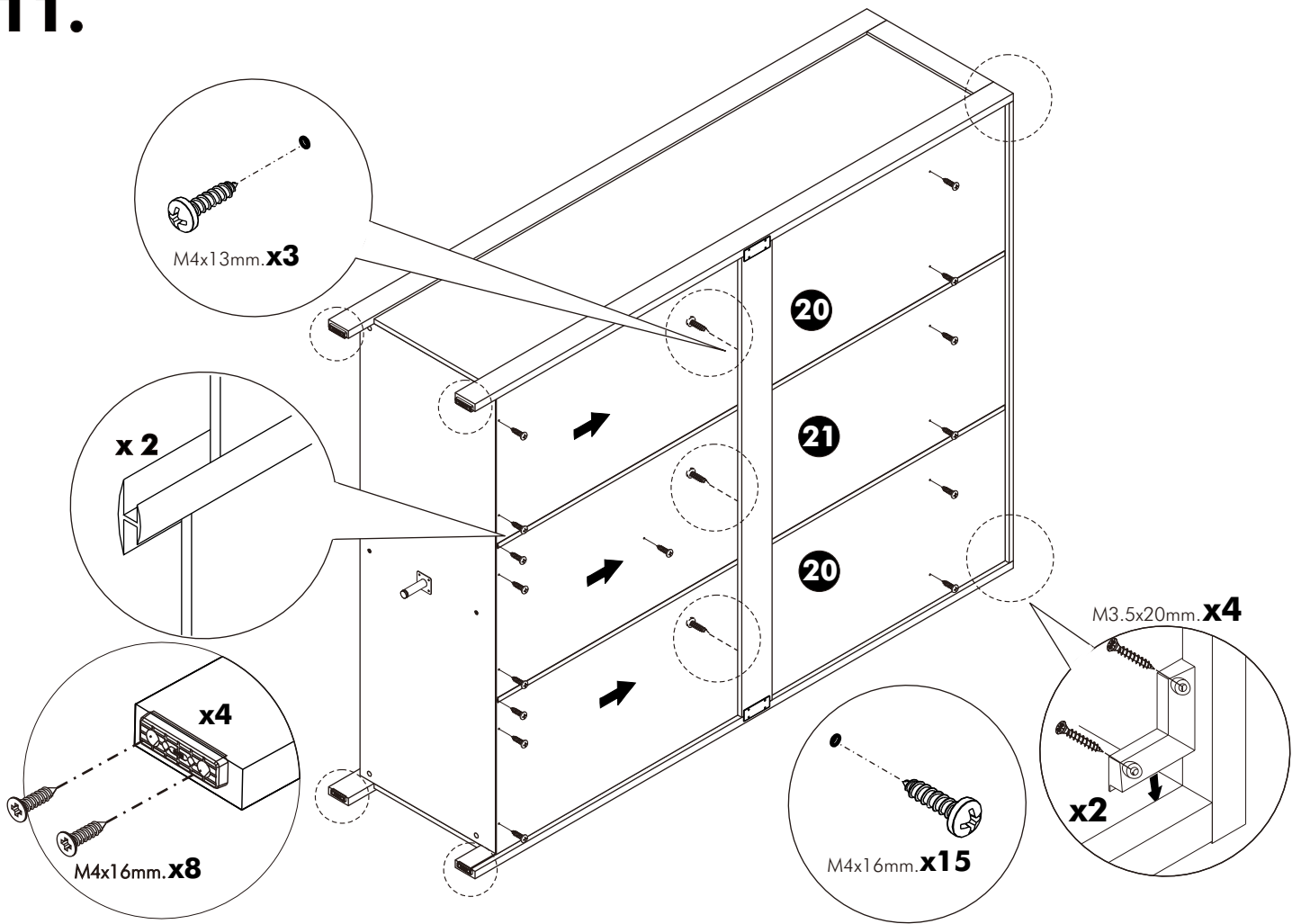
9.



10.



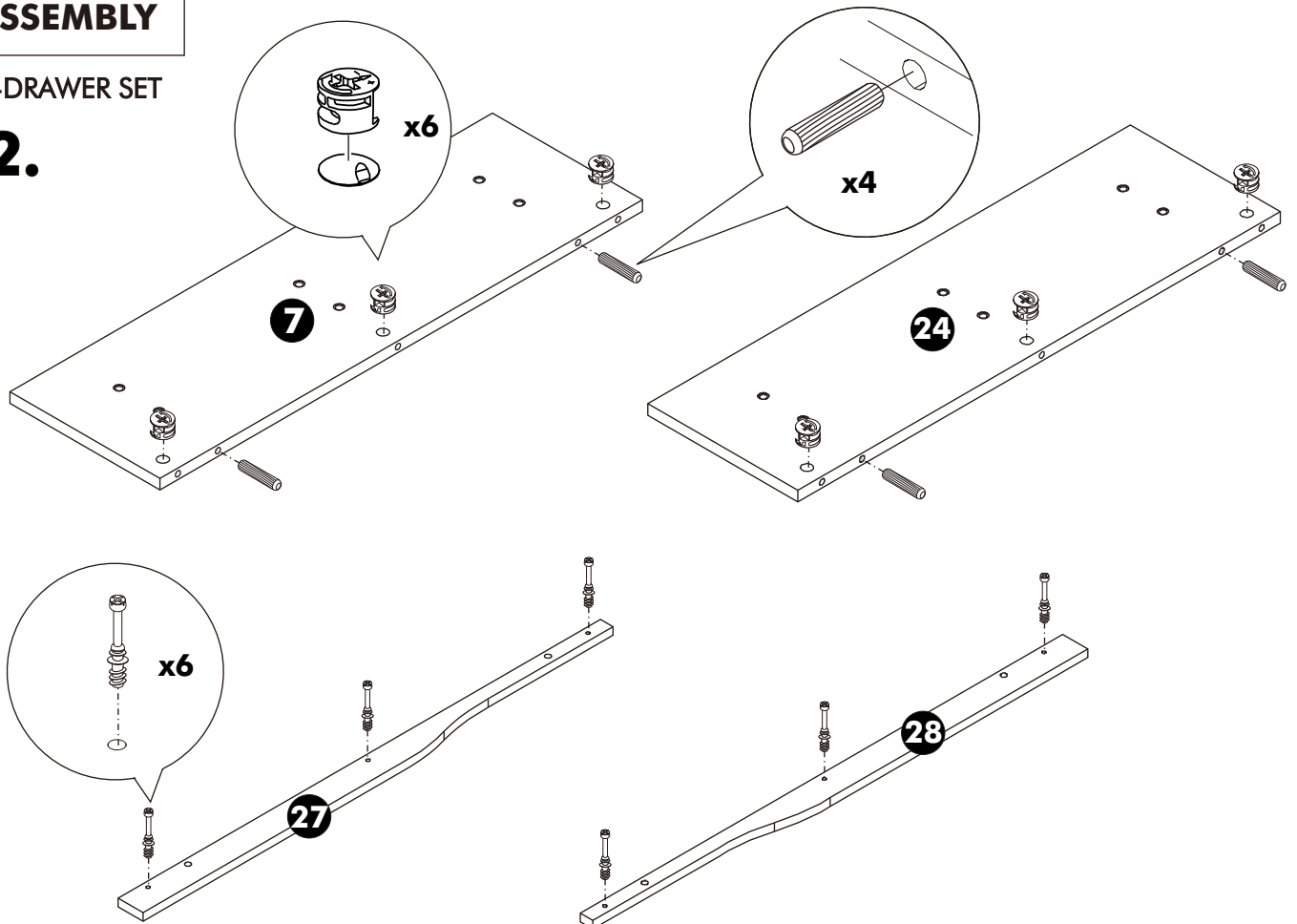
# 11.



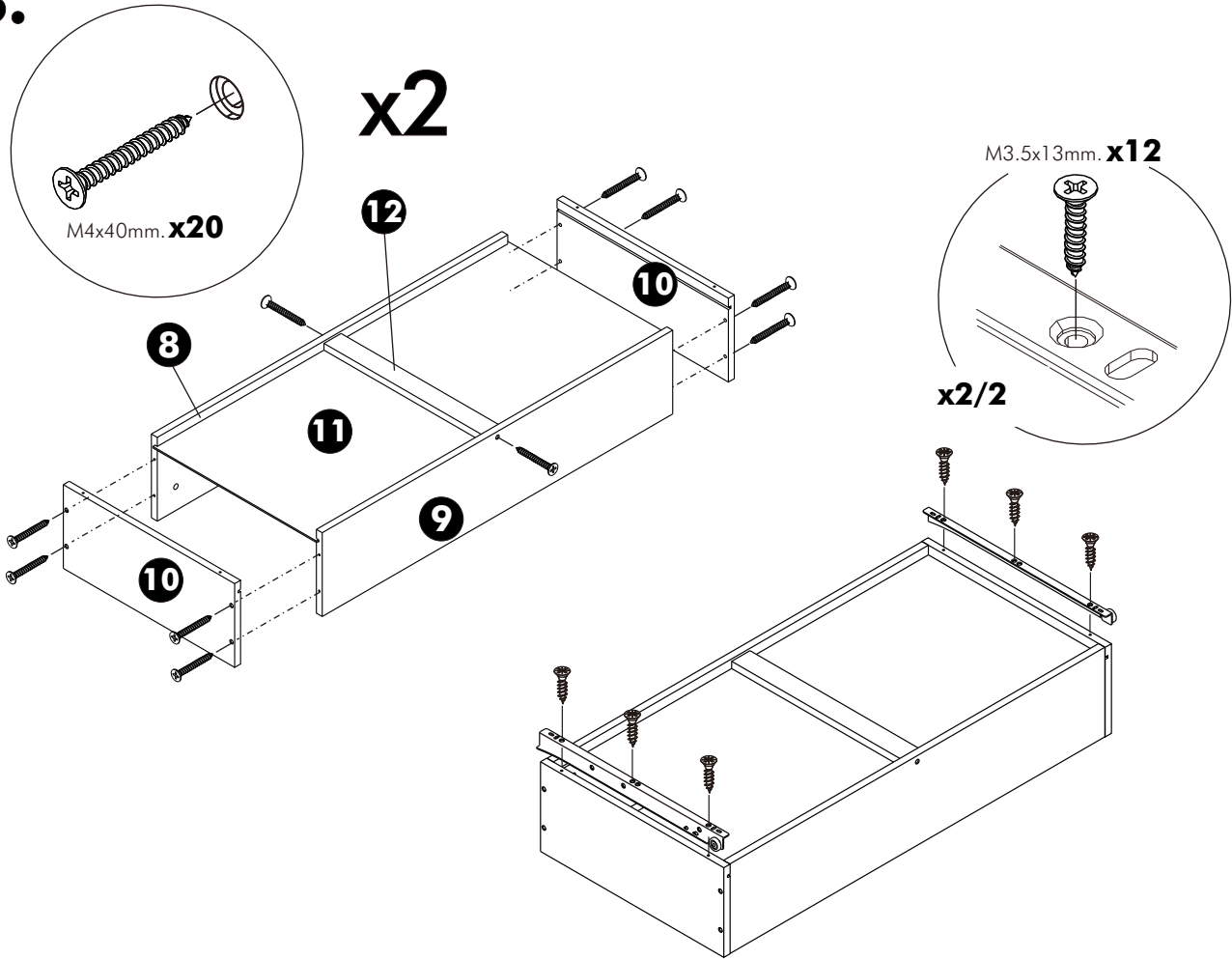
## ASSEMBLY

-DRAWER SET

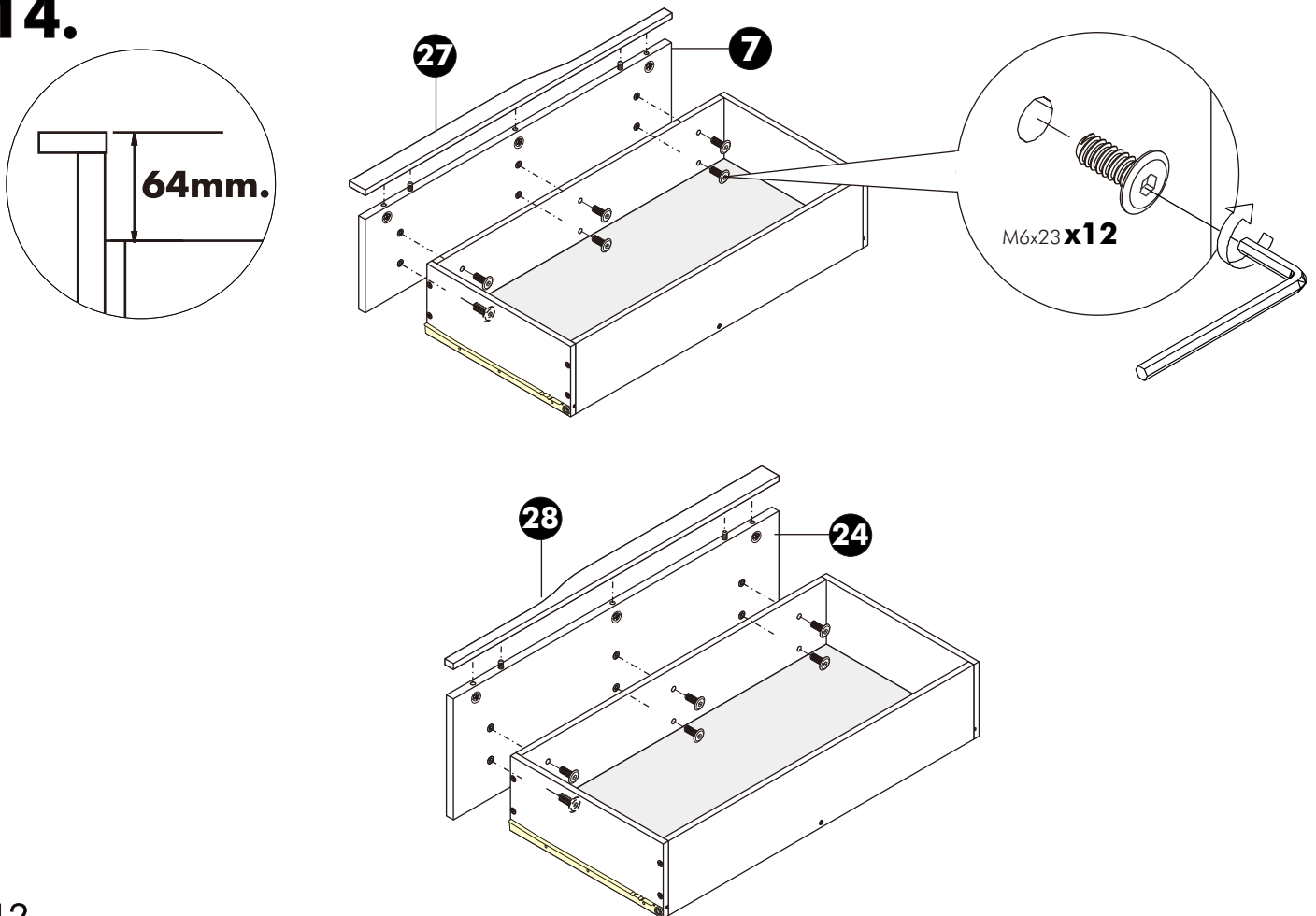
# 12.



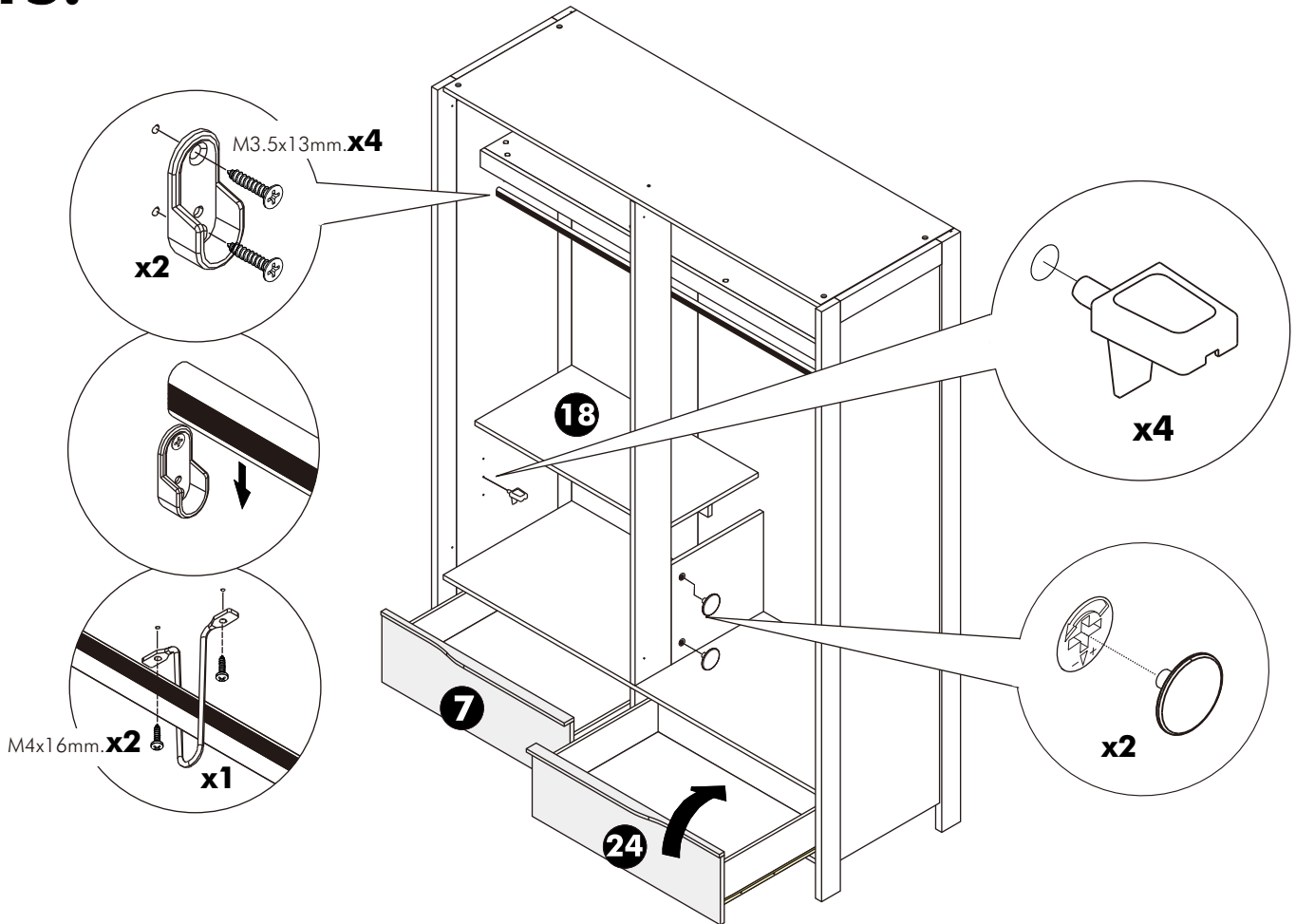
**13.**



**14.**



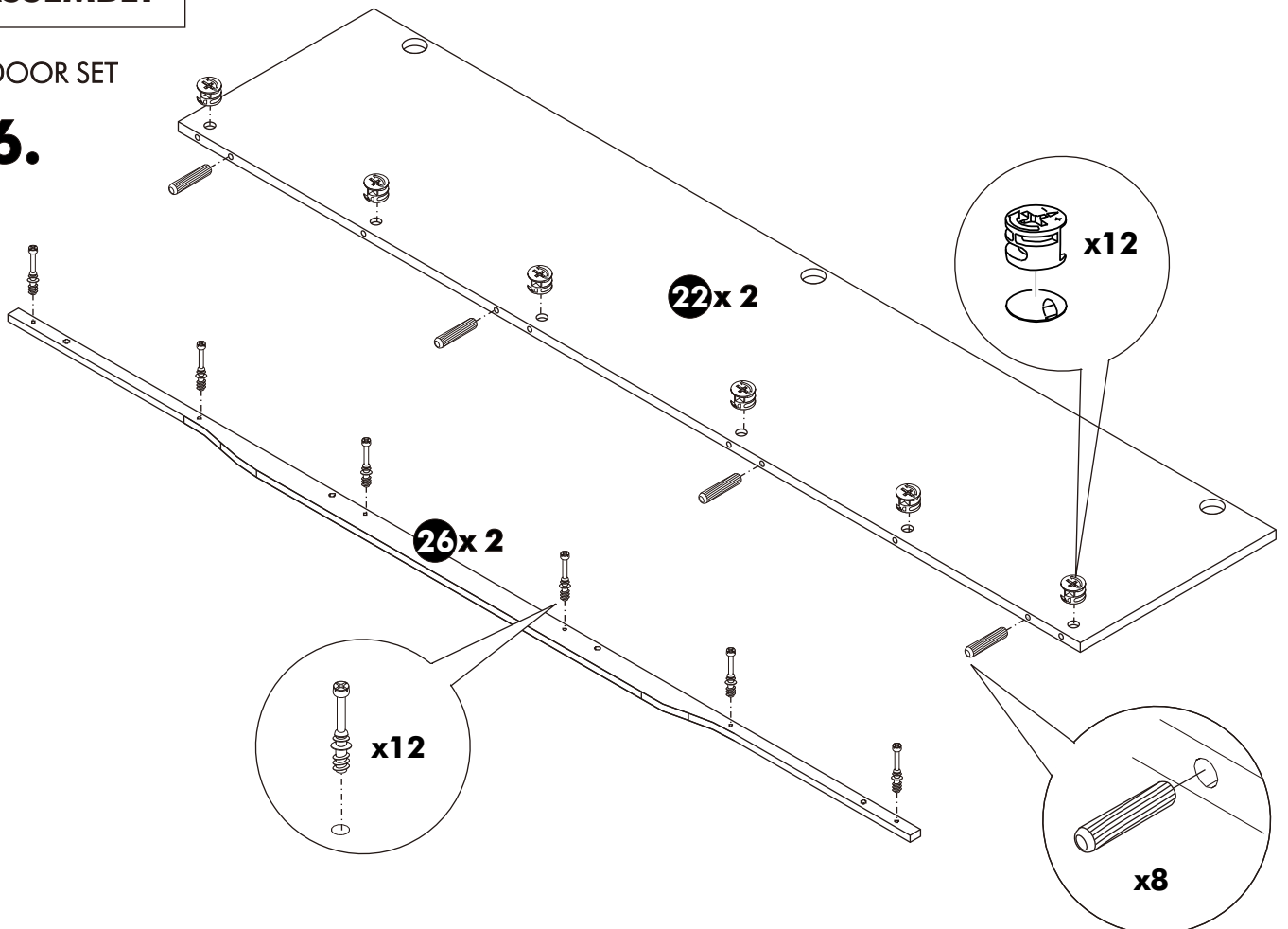
# 15.



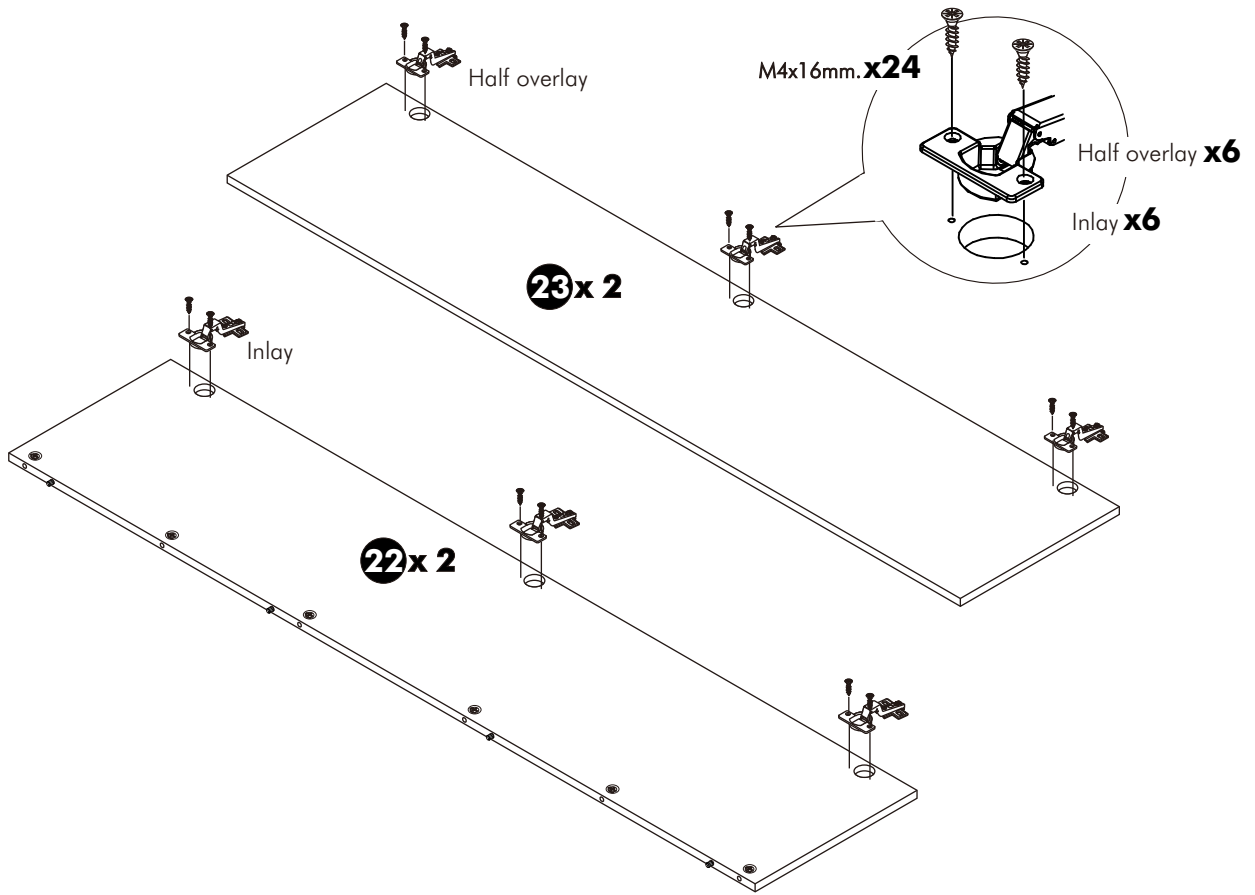
## ASSEMBLY

-DOOR SET

# 16.



# 17.



# 18.

