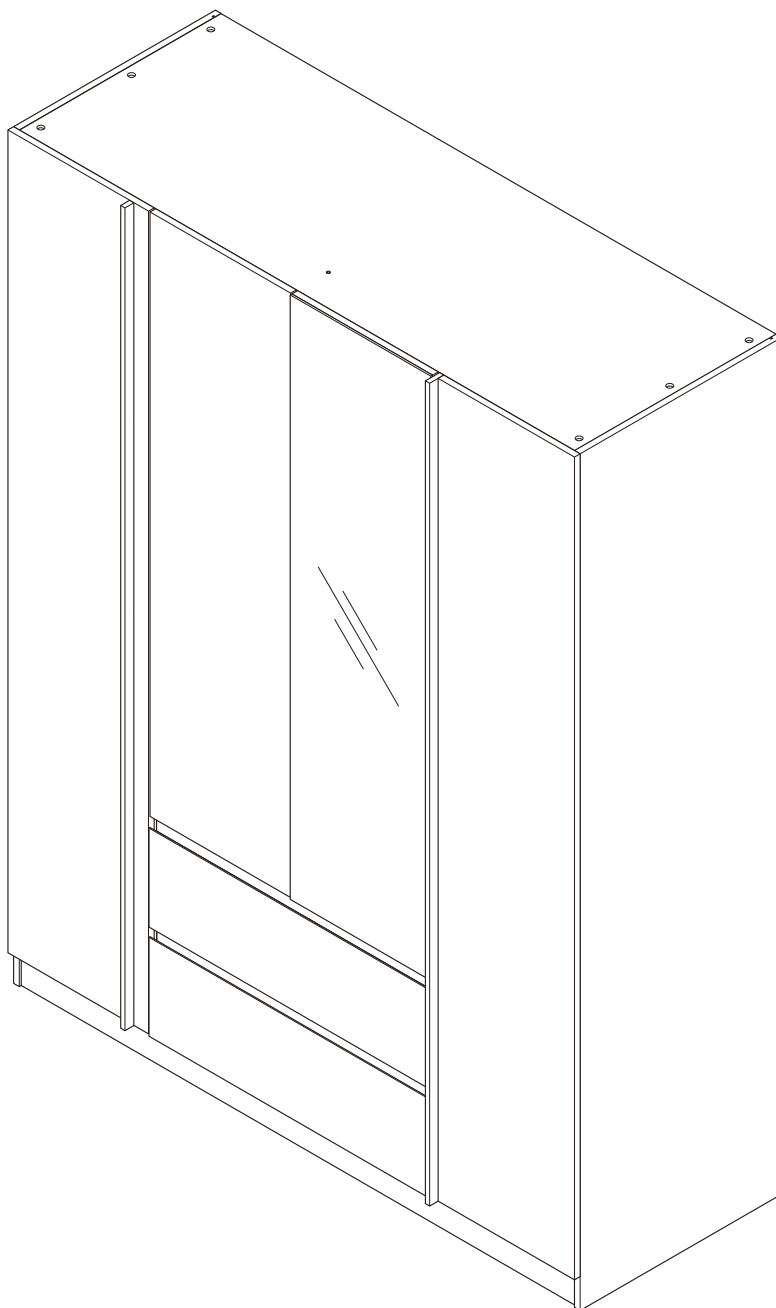
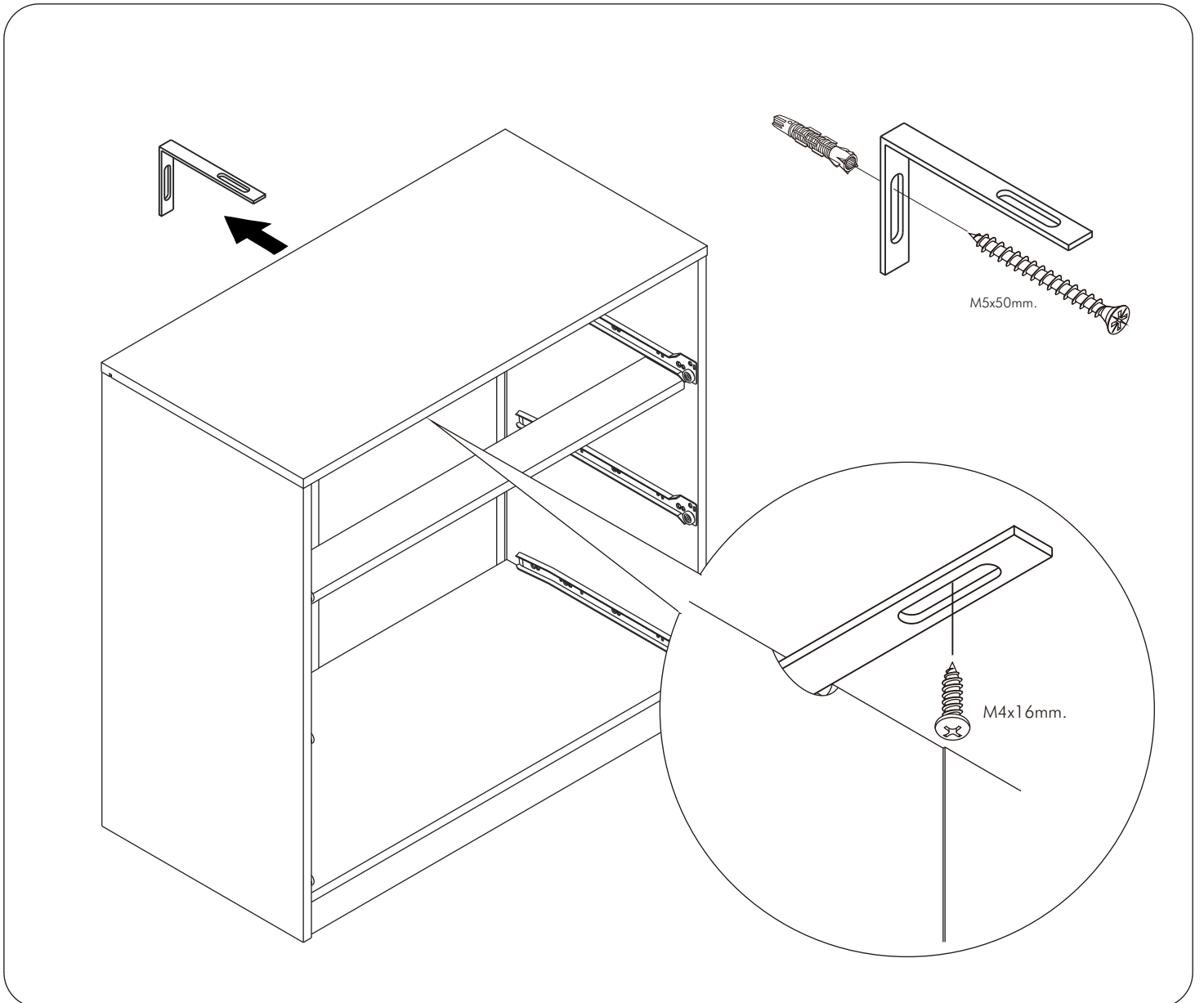
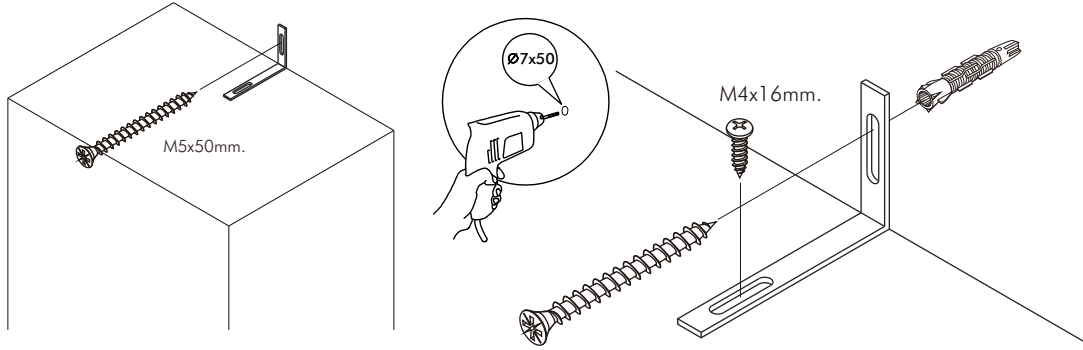
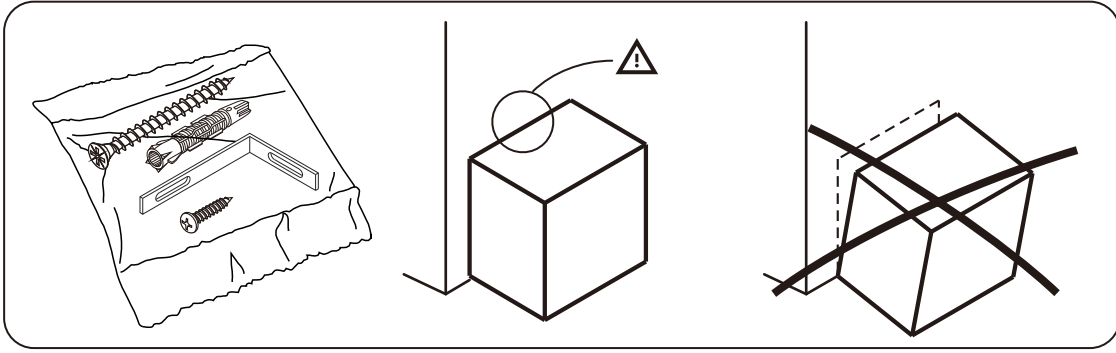


HARSH-P

Wardrobe 4 dr

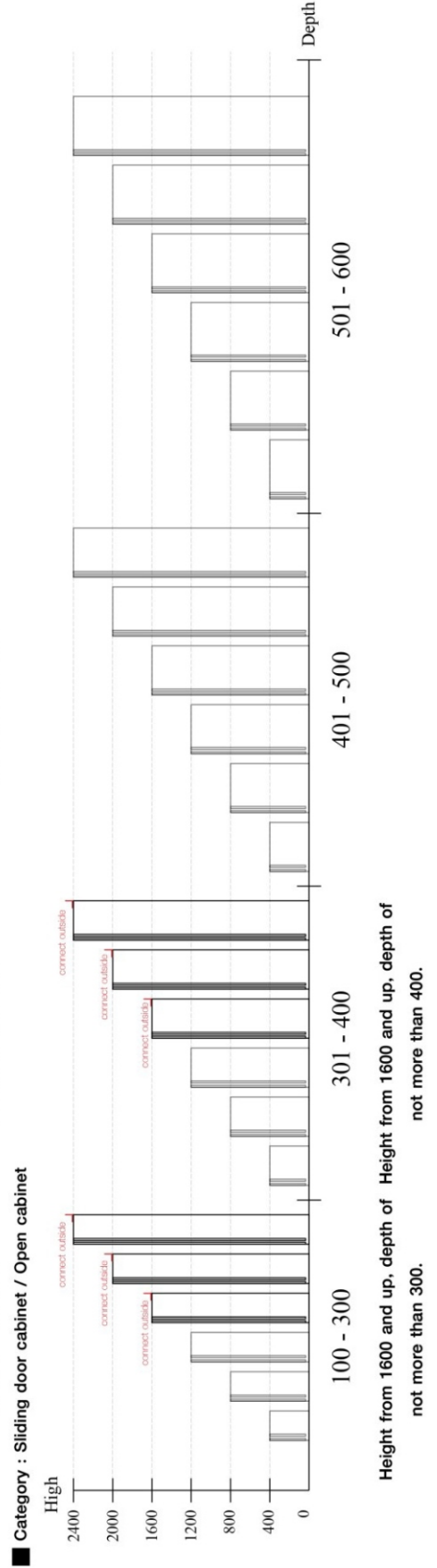
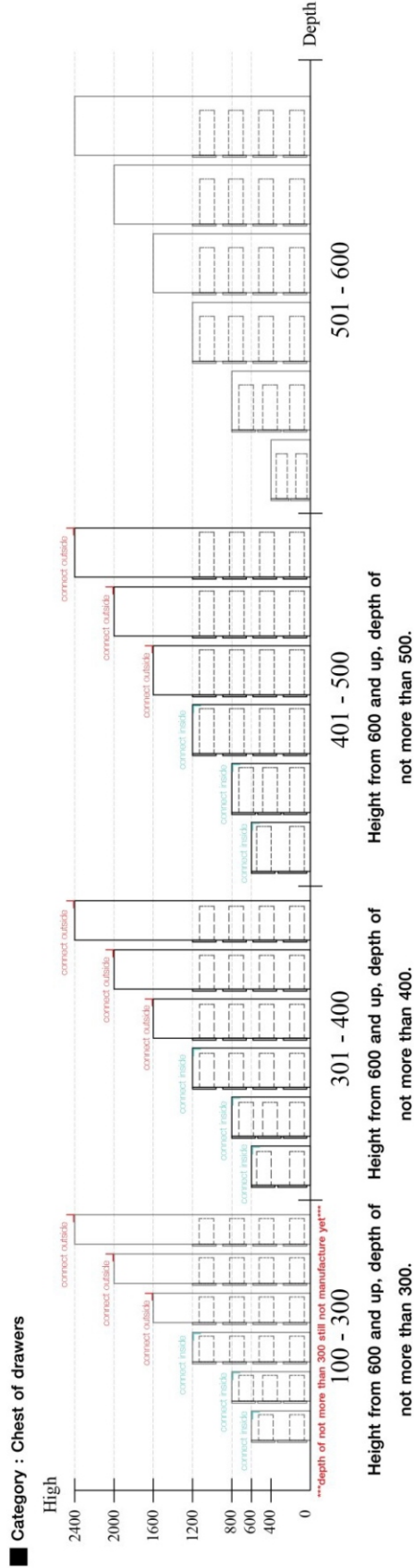
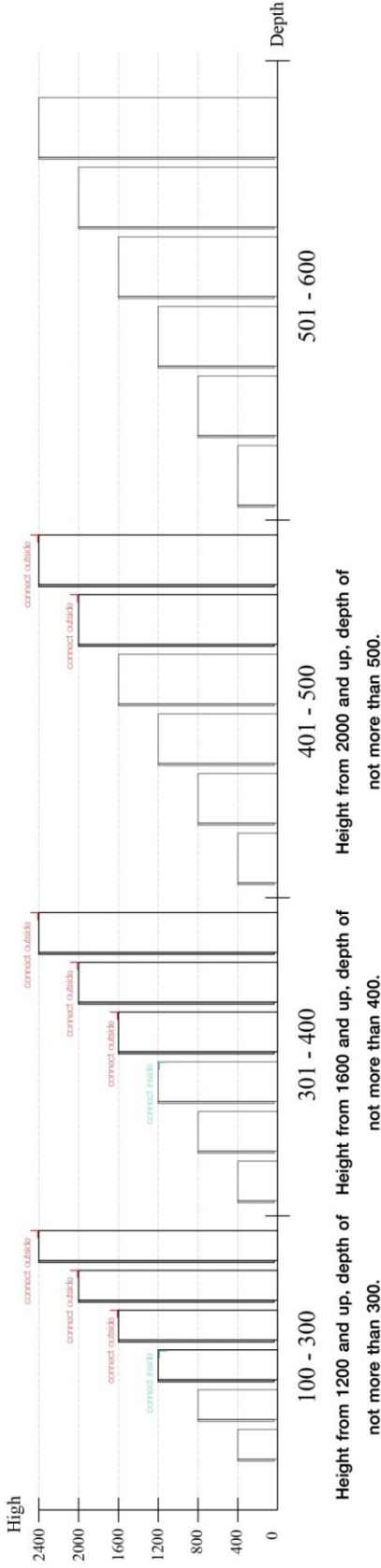
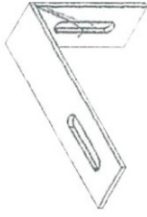


x2



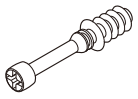
■ **The Standard for identifying which mounted safety fall protection fitting to use** **Note : That children's products must be installed with all anti-falling fittings.**

■ Mounted fall protection fittings



HARDWARE

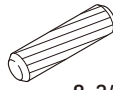
-BODY SET



X 34

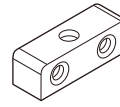


X 34

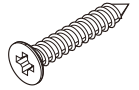


8x35mm.

X 44

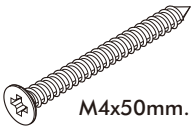


X 2



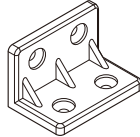
M4x25mm.

X 6



M4x50mm.

X 6

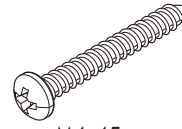


X 15



M4x40mm.

X 25



M4x45mm.

X 4

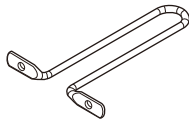


X 4



M3.5x13mm.

X 36

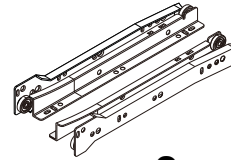


X 1



M4x16mm.

X 30

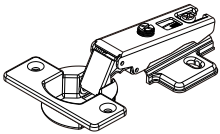


X 2

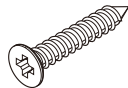


M4x13mm.

X 12



X 14

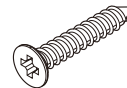


M4x25mm. (Black)

X 12



X 8



M4x30mm.

X 6

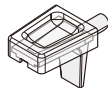


Ø11mm.

X 6



X 6

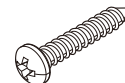


X 4



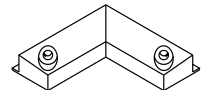
TFL4 M6x23mm.

X 12

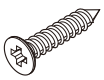


M4x35mm.

X 4

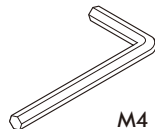


X 2



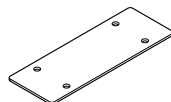
M3.5x20mm.

X 4

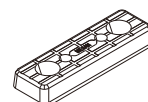


M4

X 1



X 2

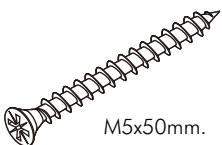


X 12



M4x16mm.

X 140

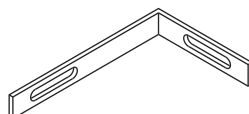


M5x50mm.

X 2



X 2

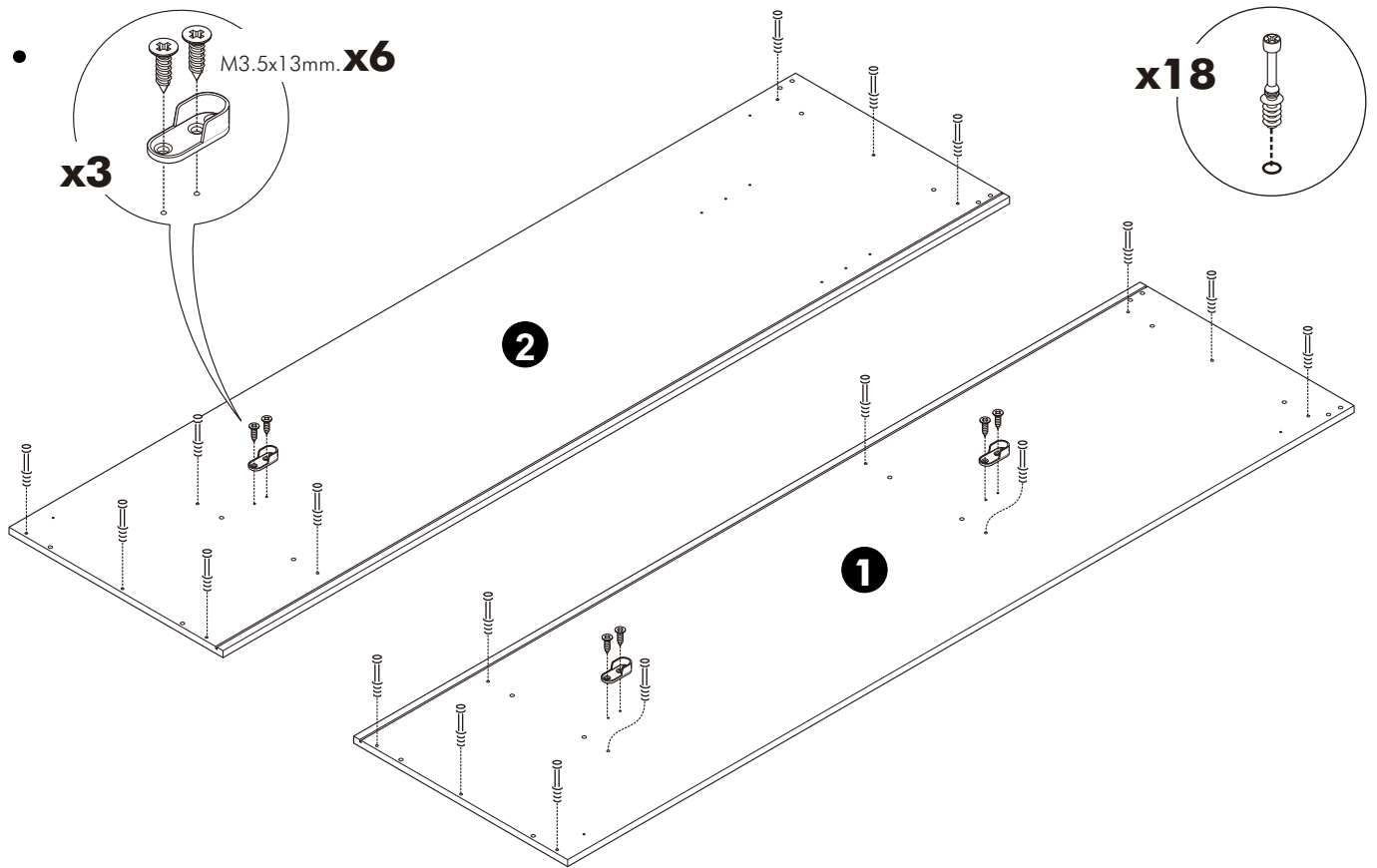


X 2

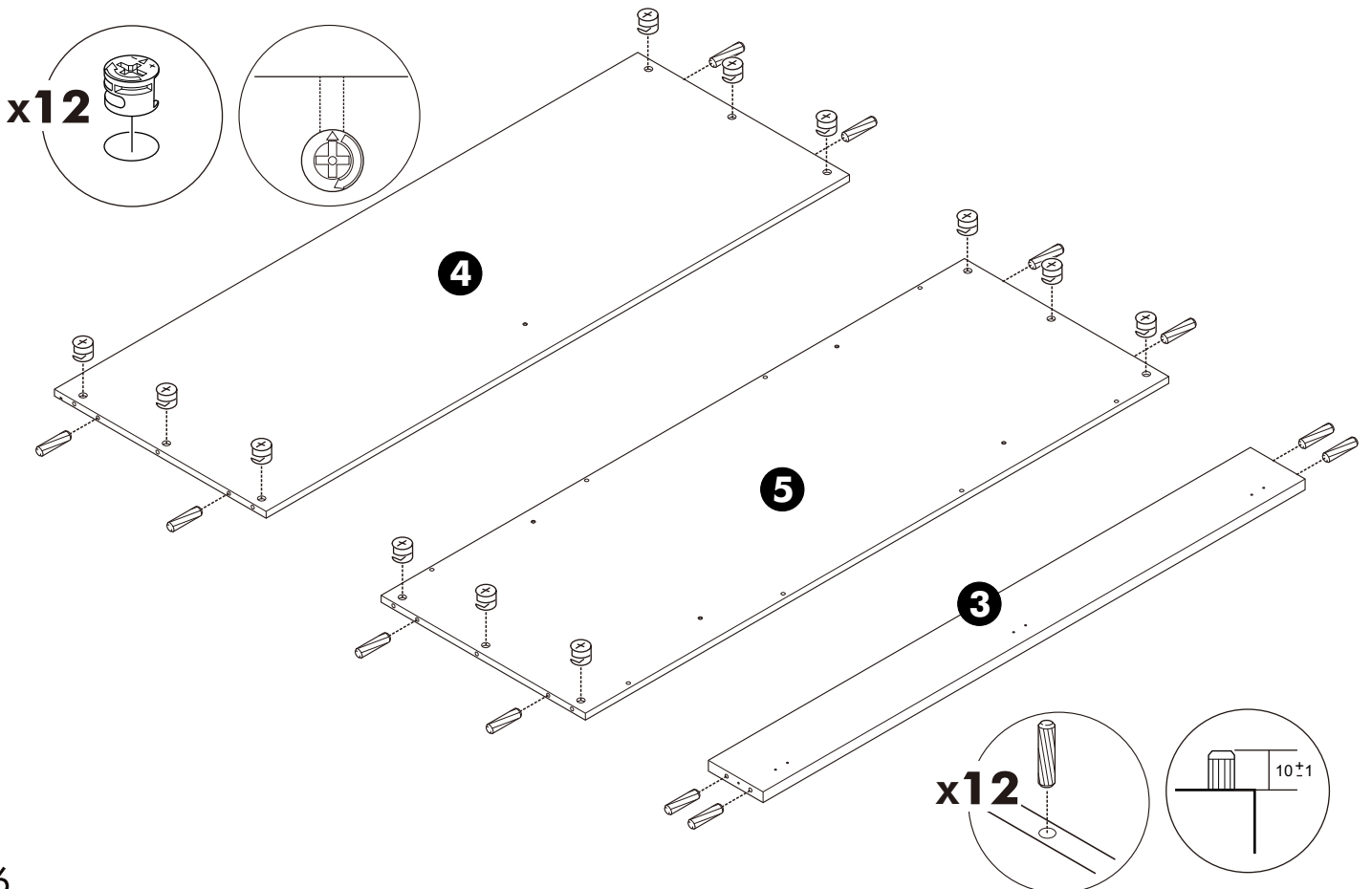
ASSEMBLY

-BODY SET

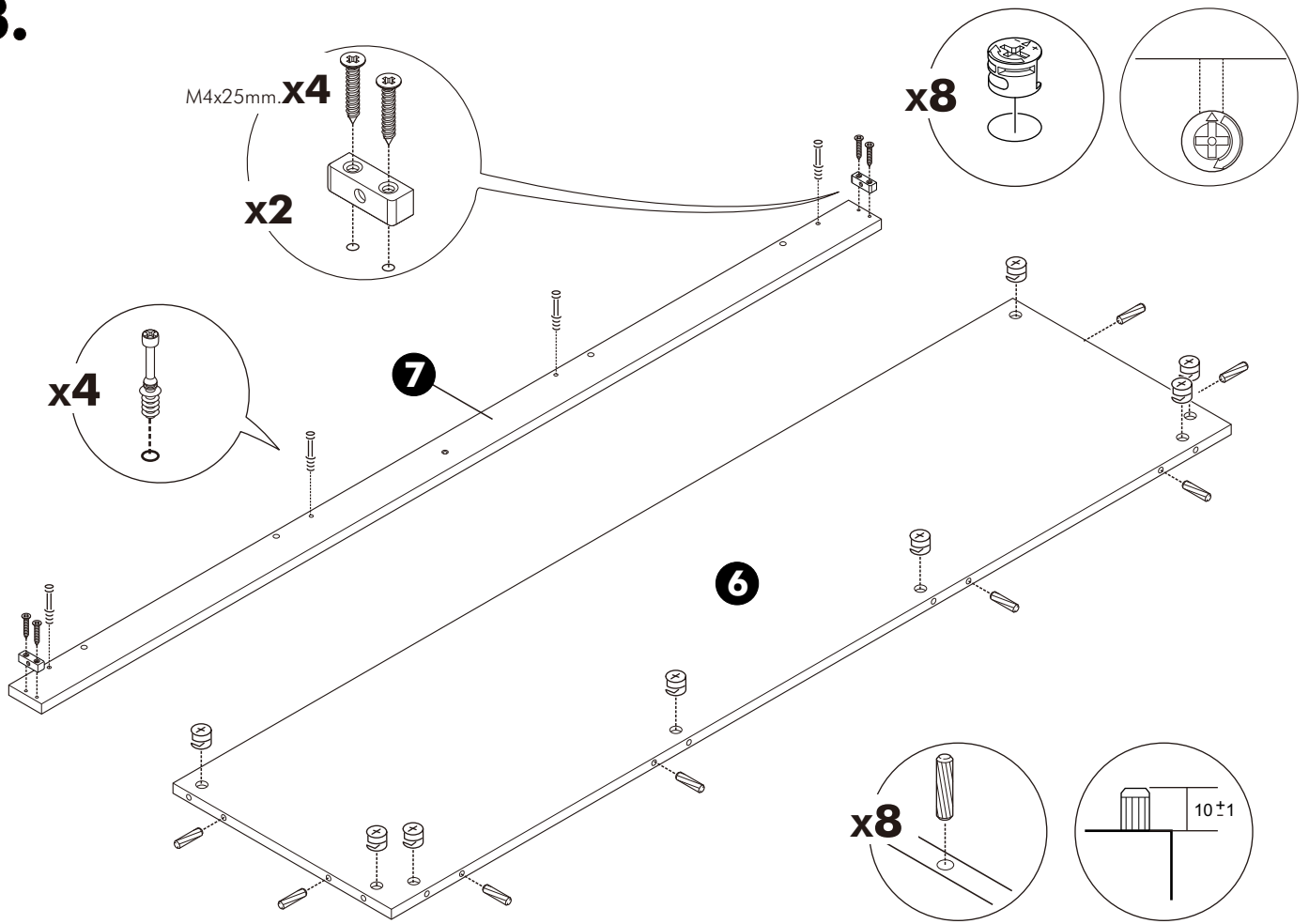
1.



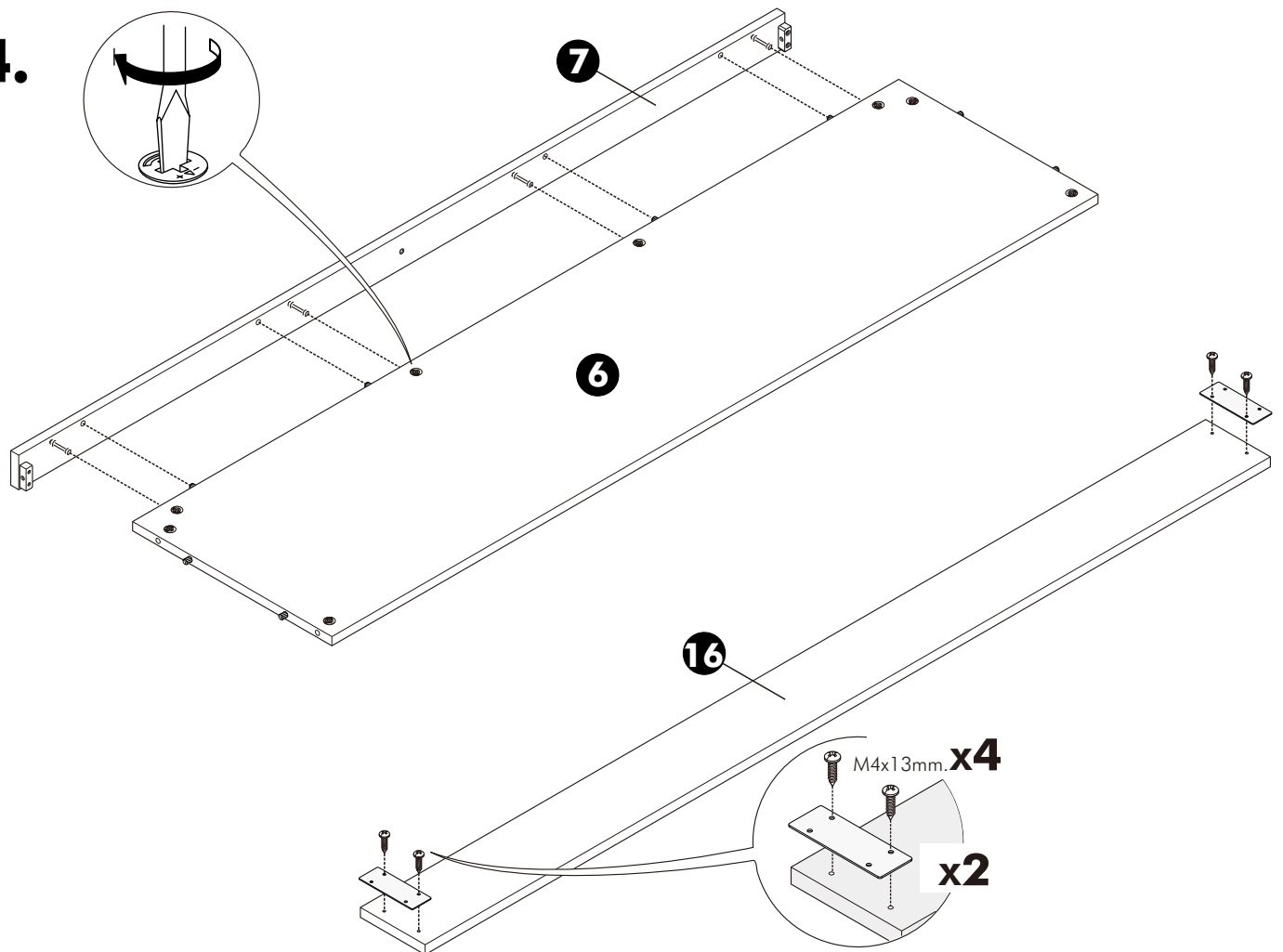
2.



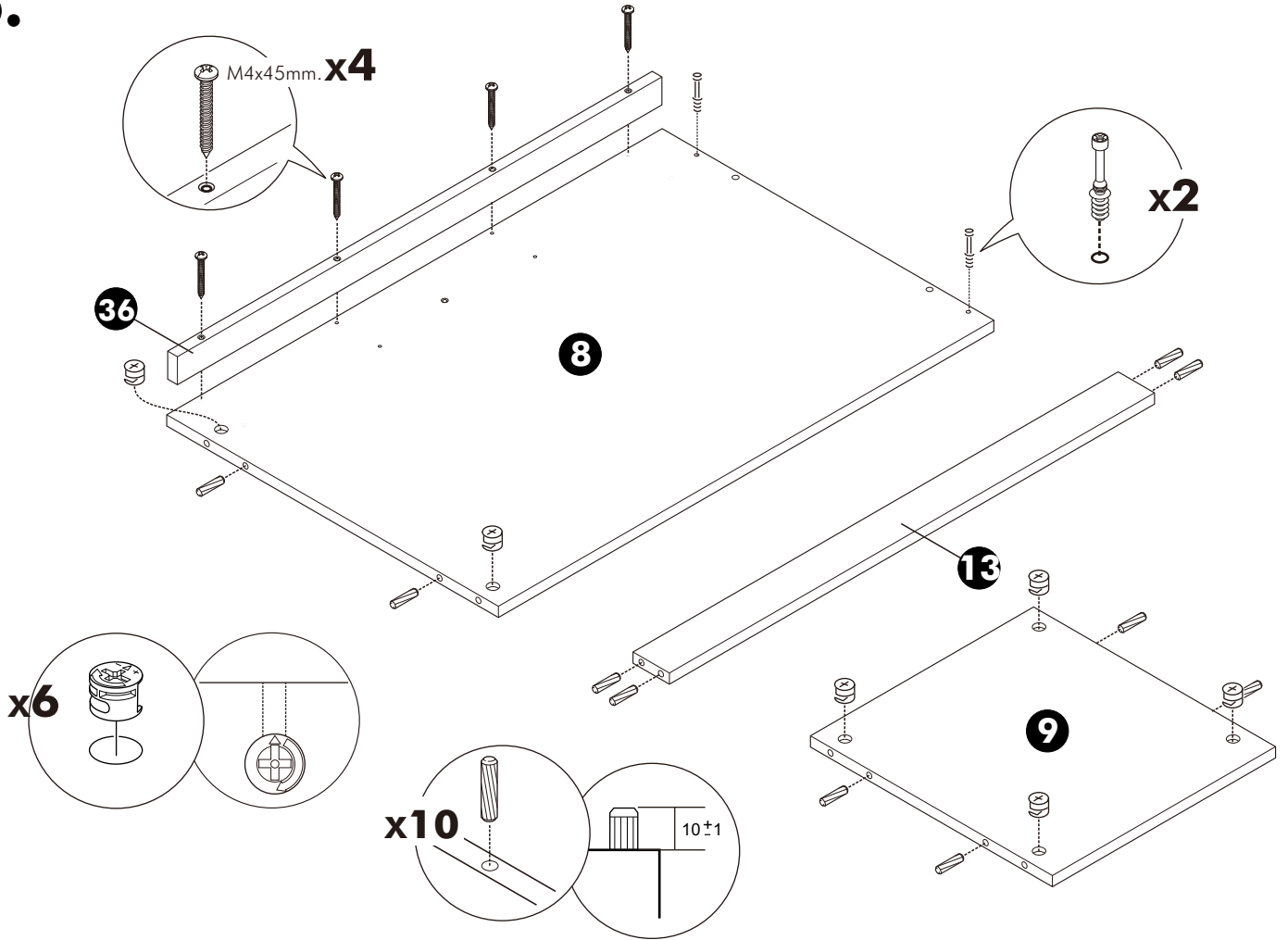
3.



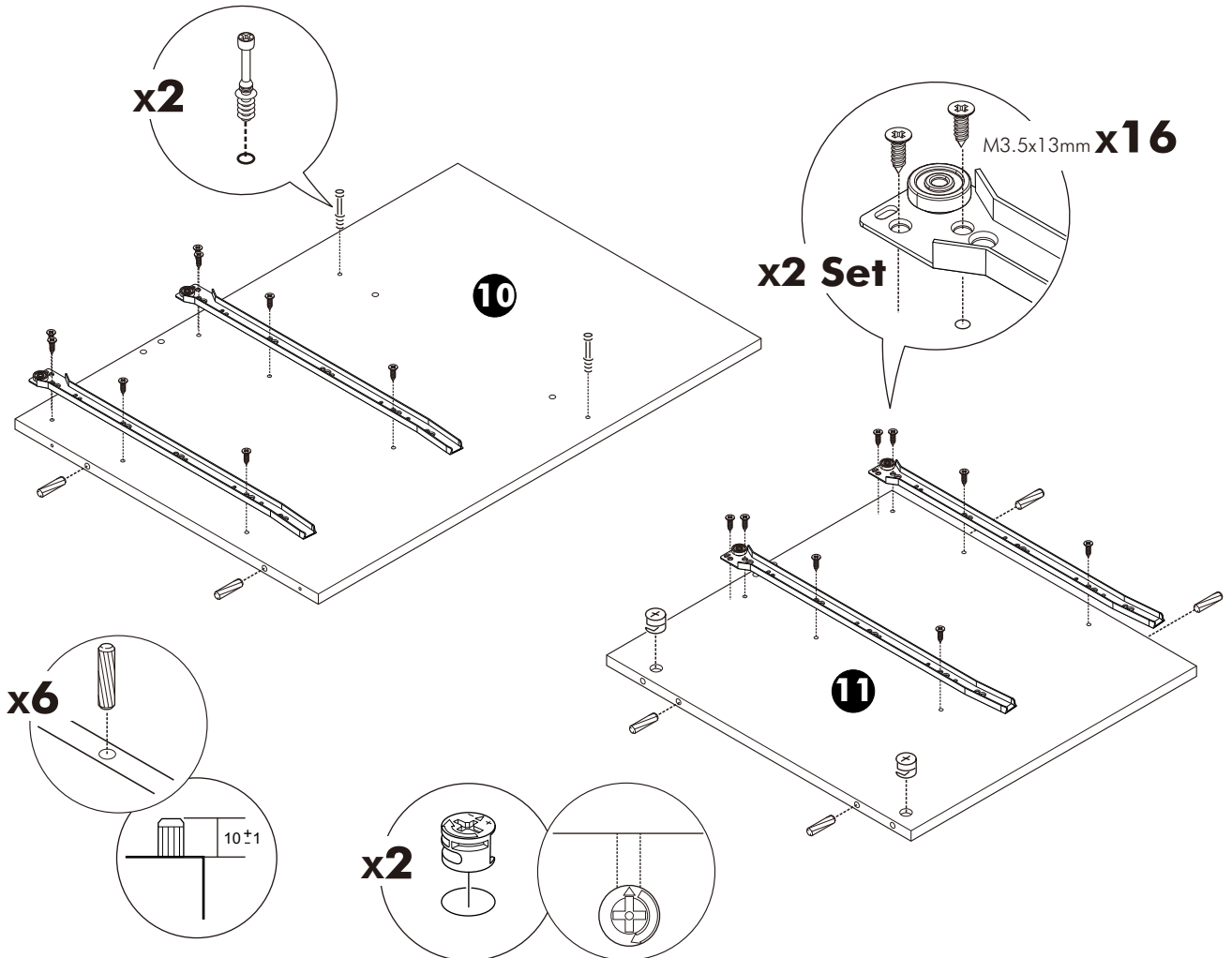
4.



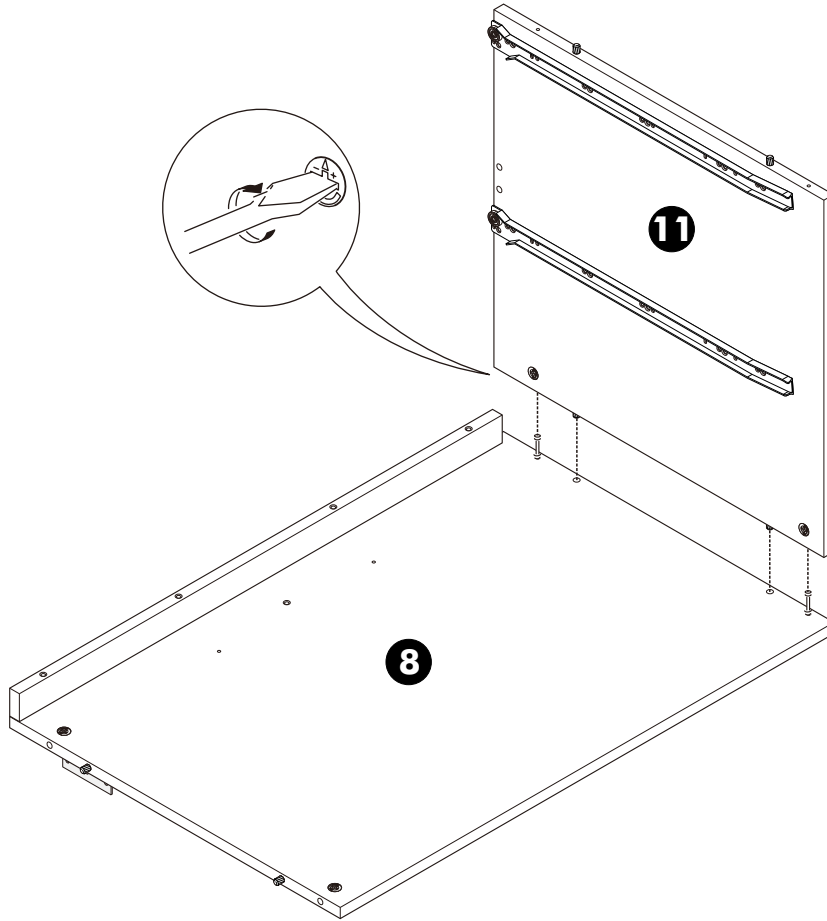
5.



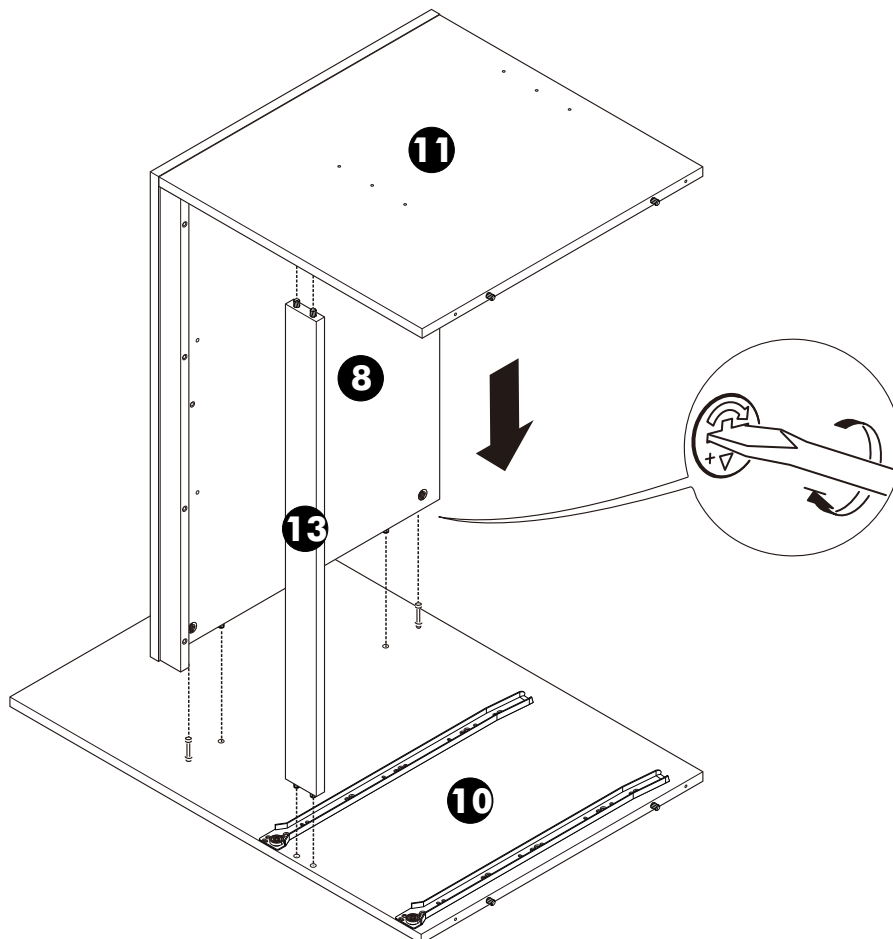
6.



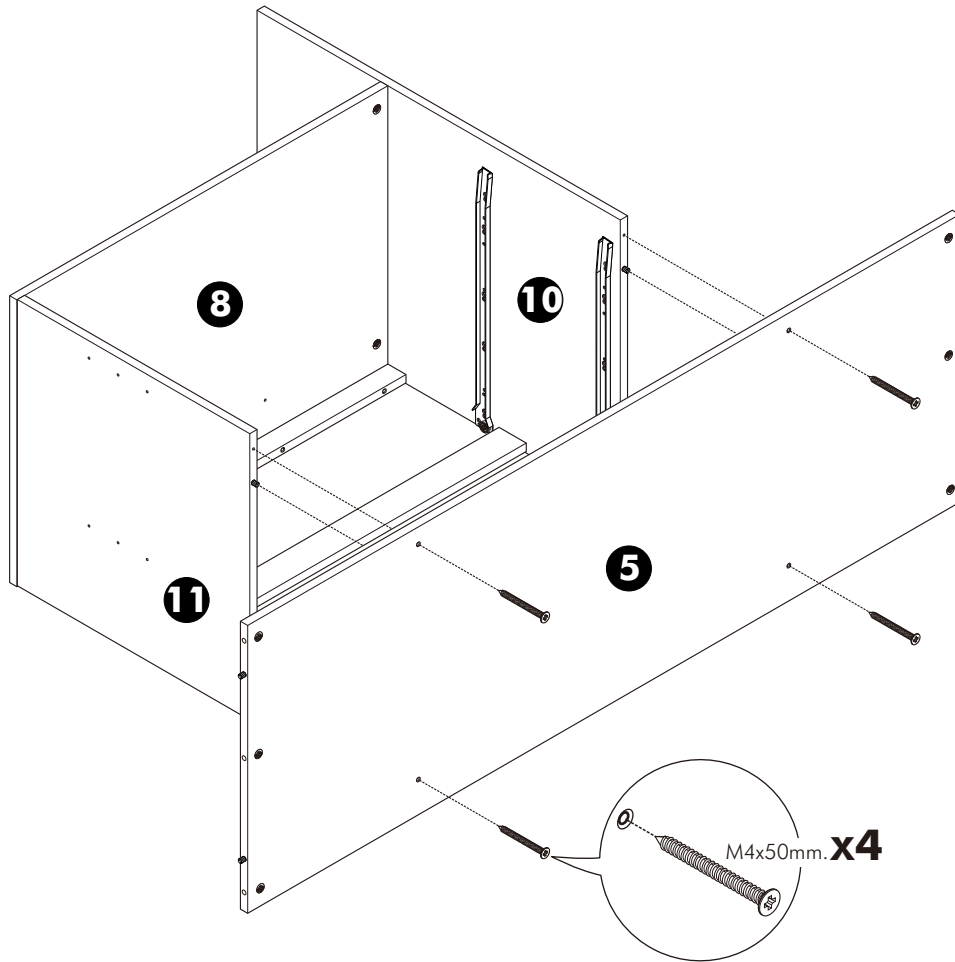
7.



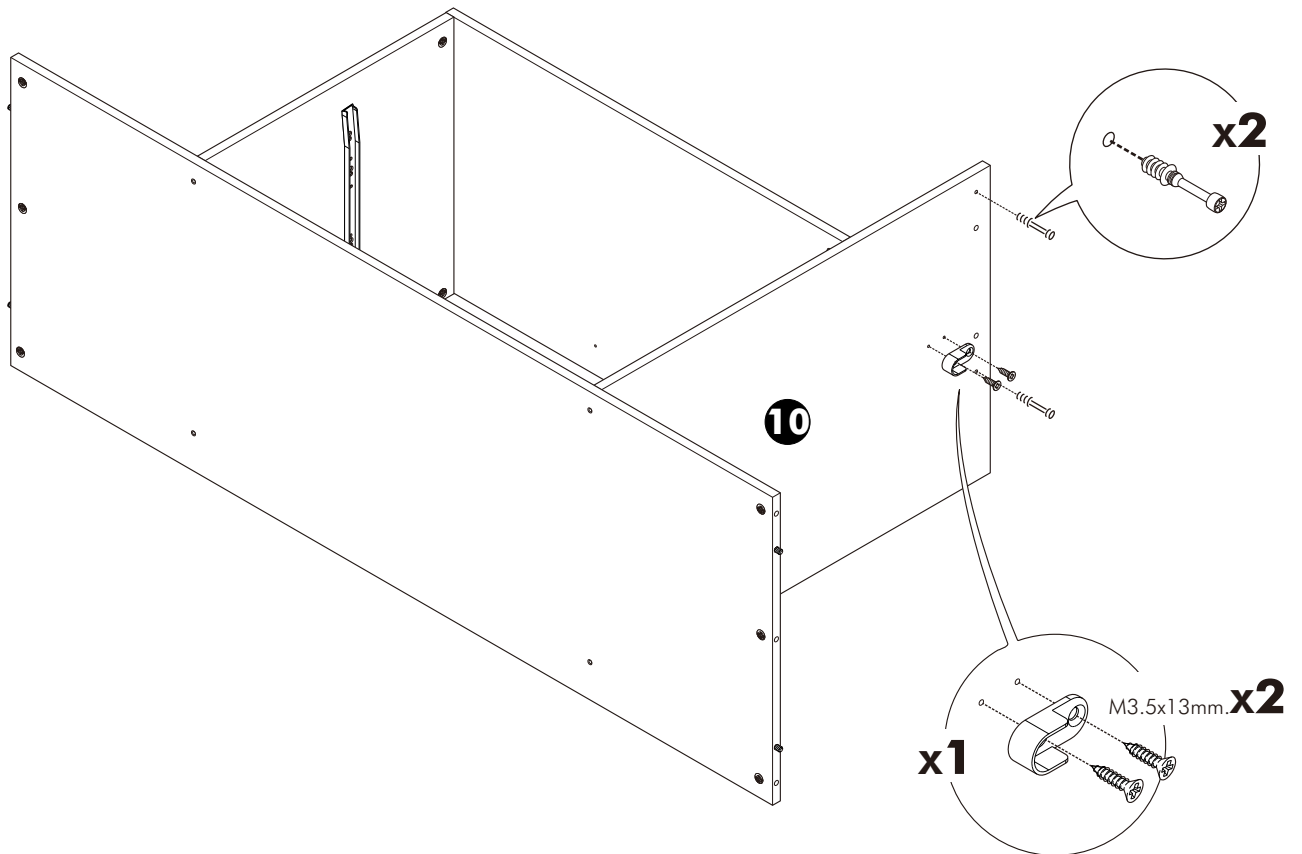
8.



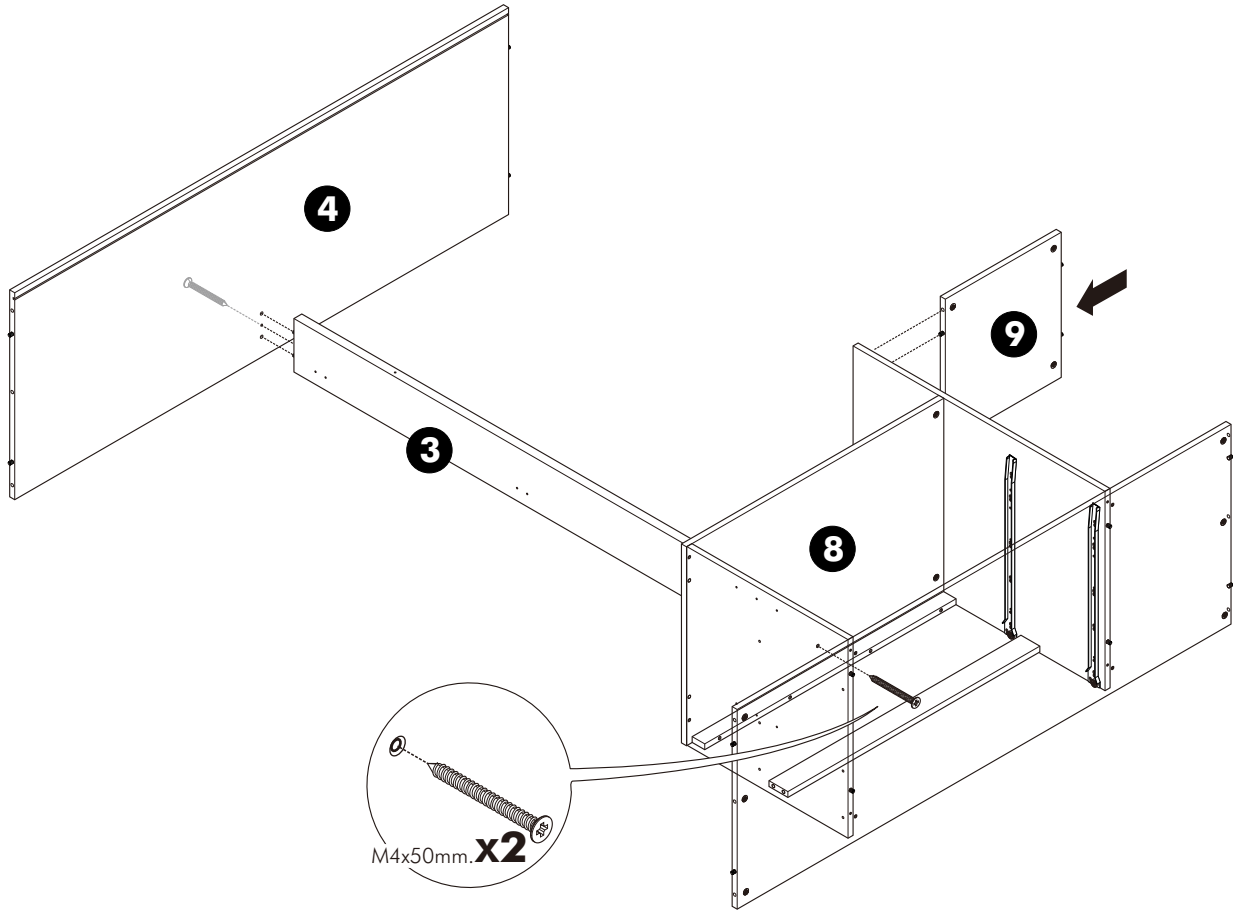
9.



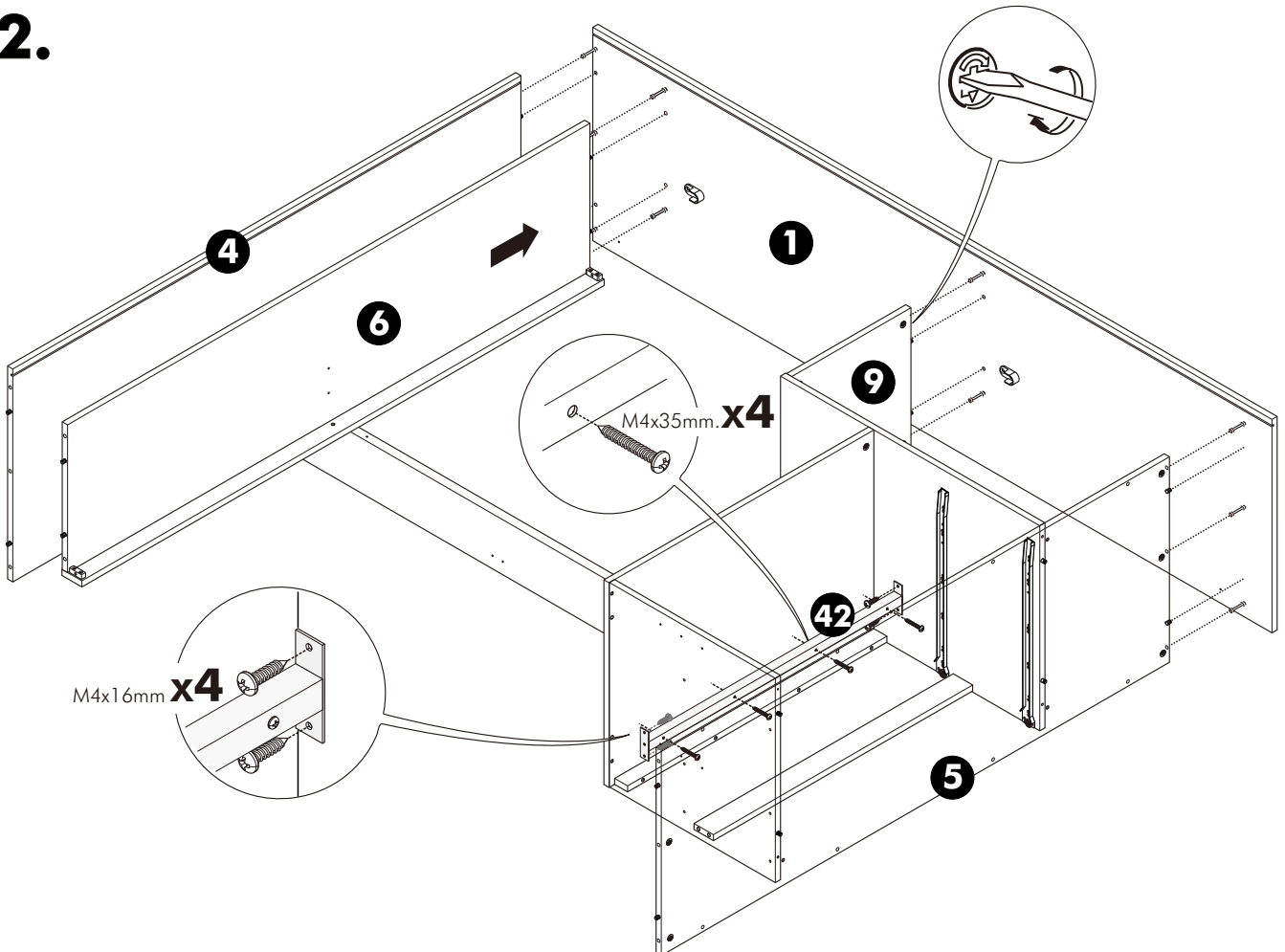
10.



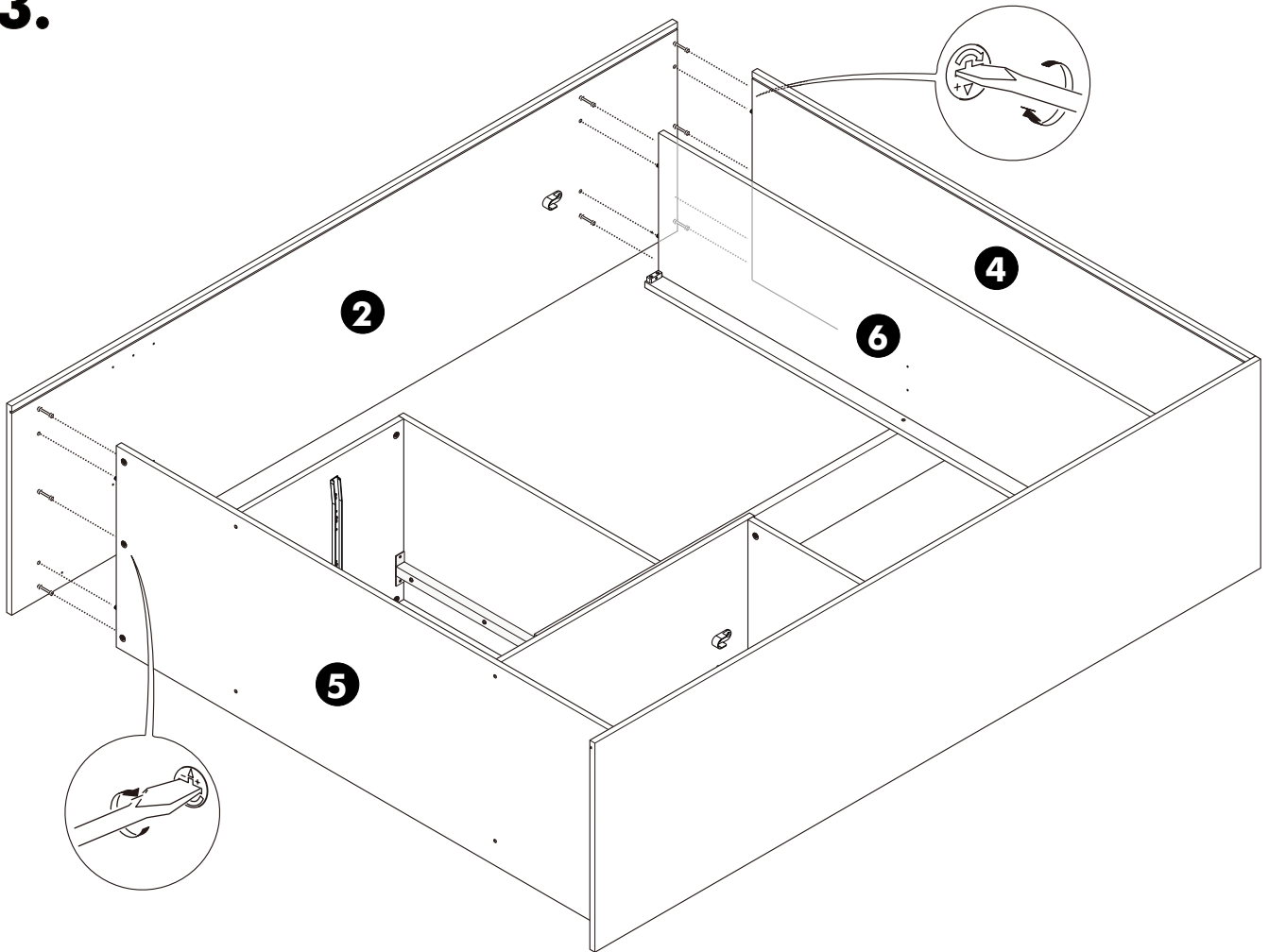
11.



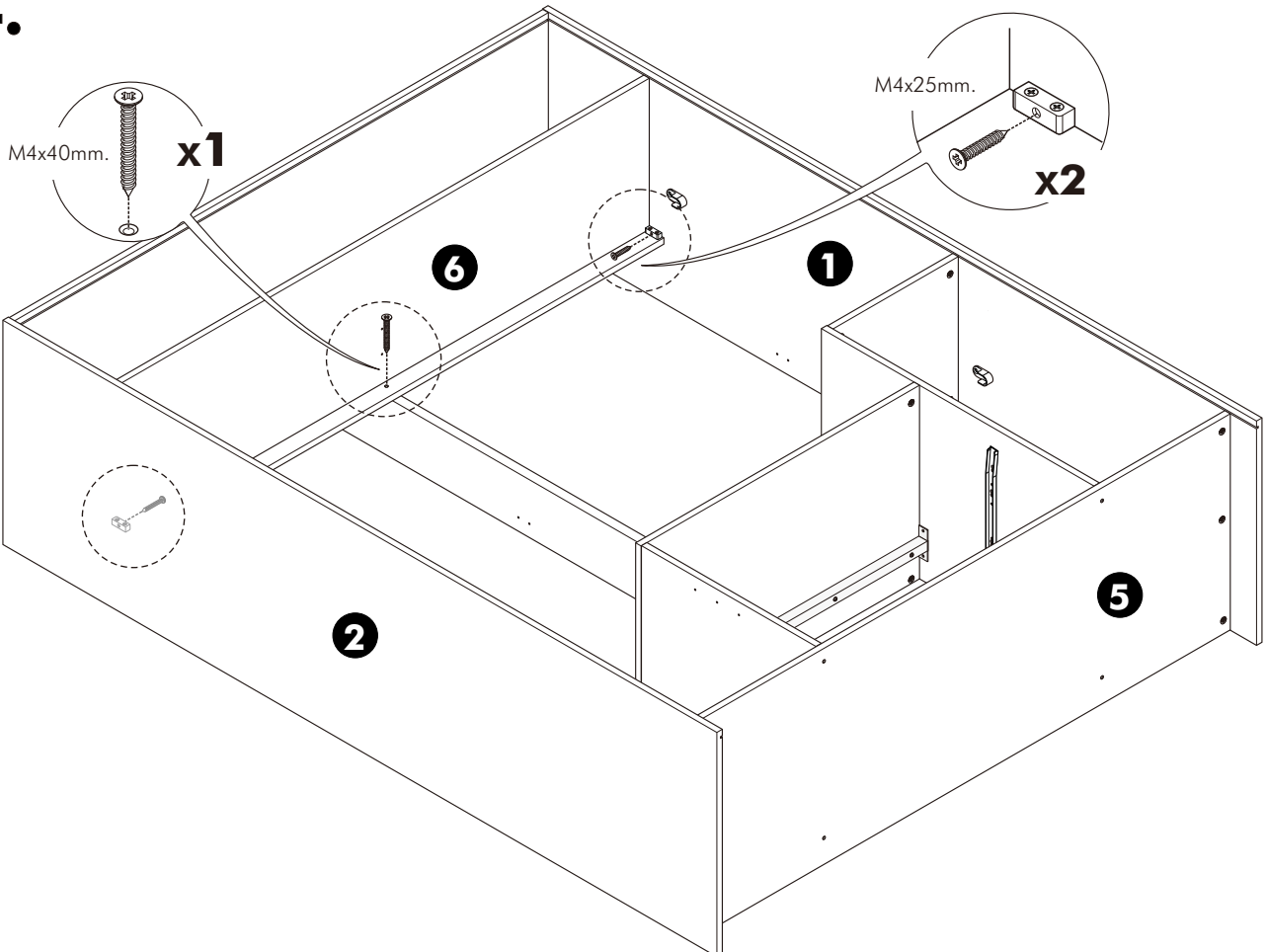
12.



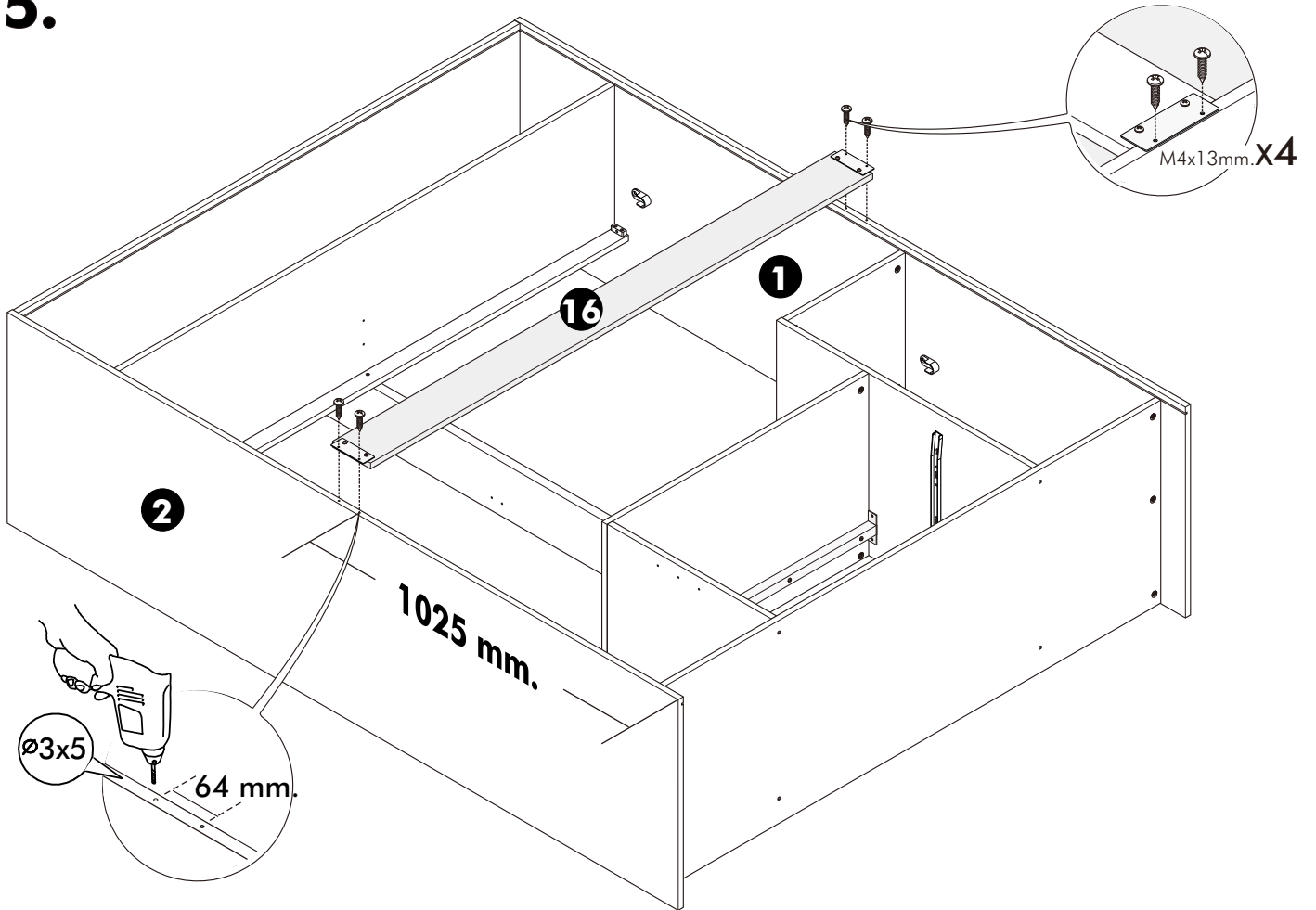
13.



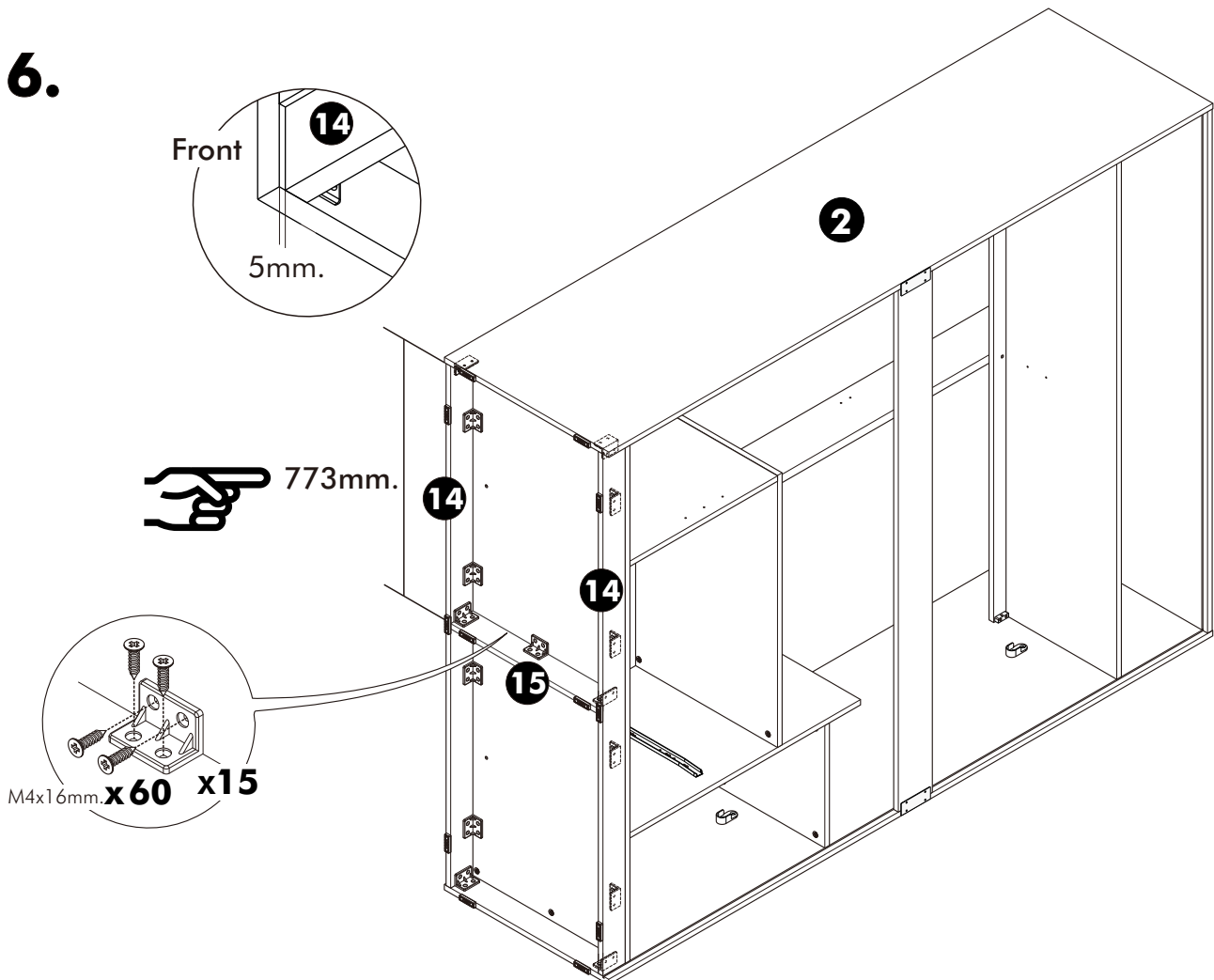
14.



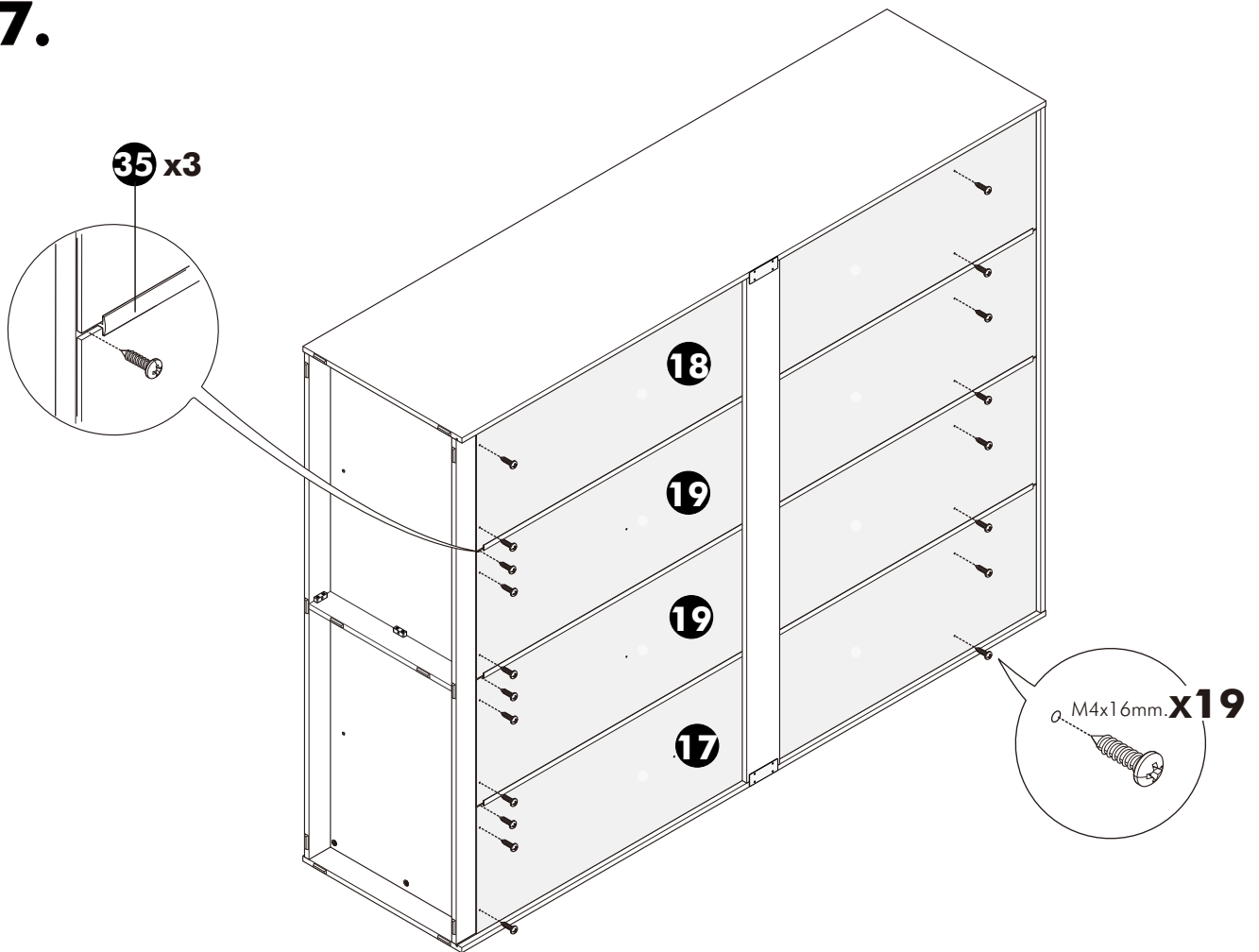
15.



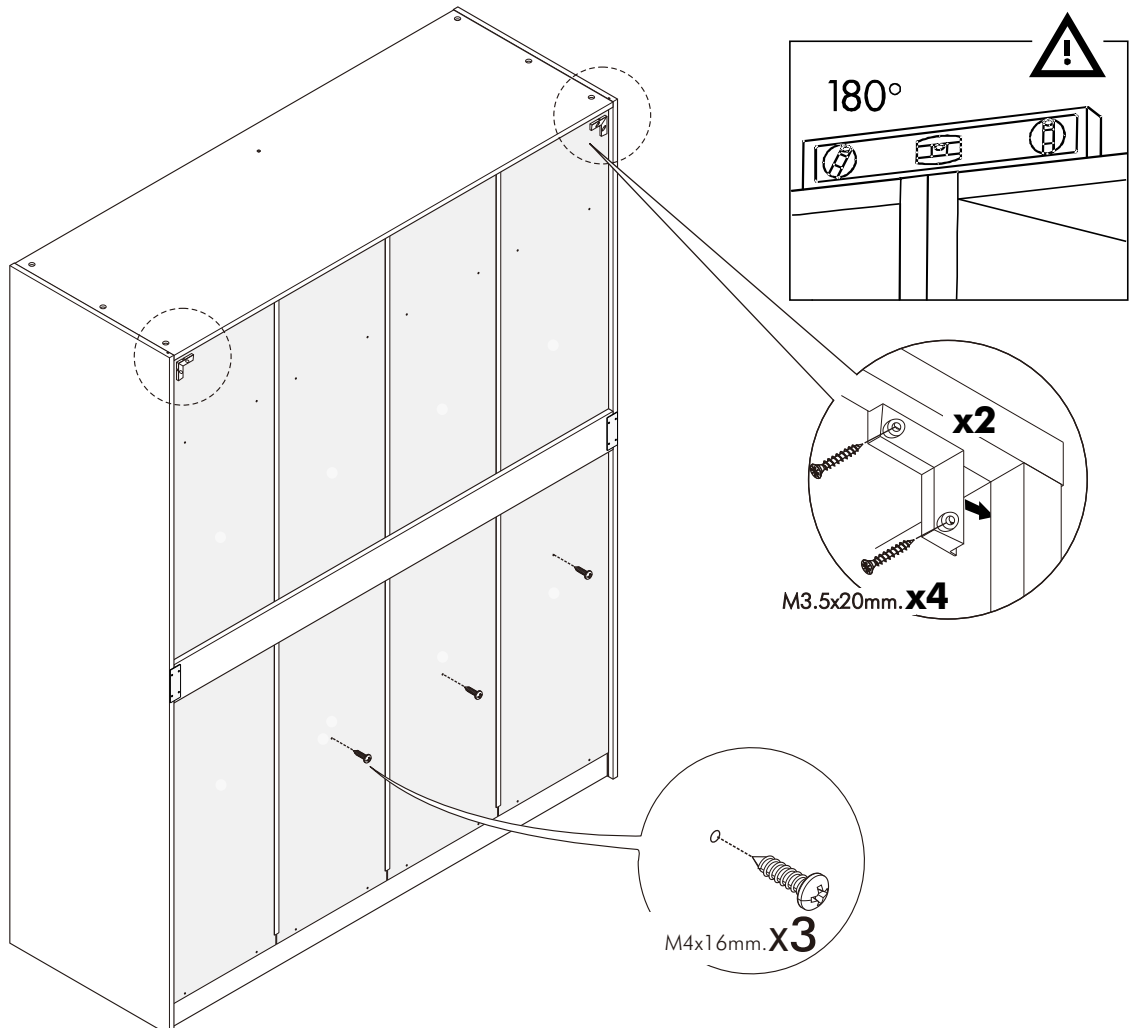
16.



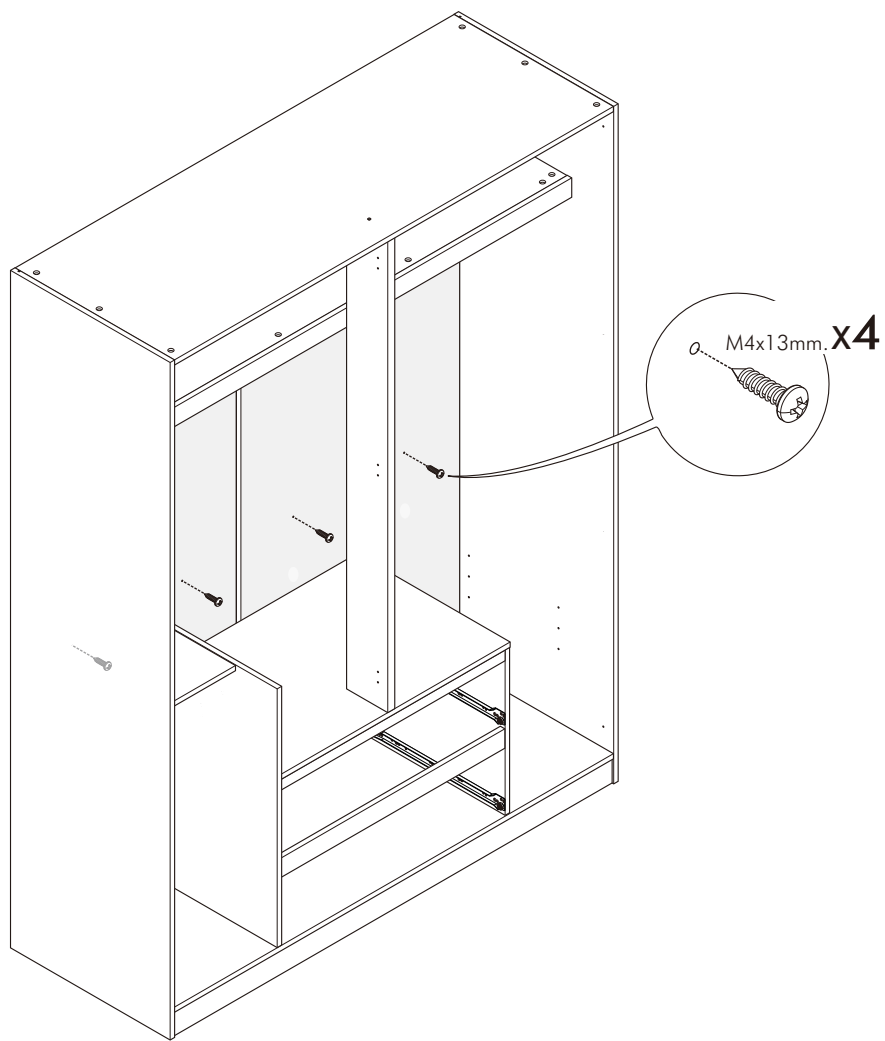
17.



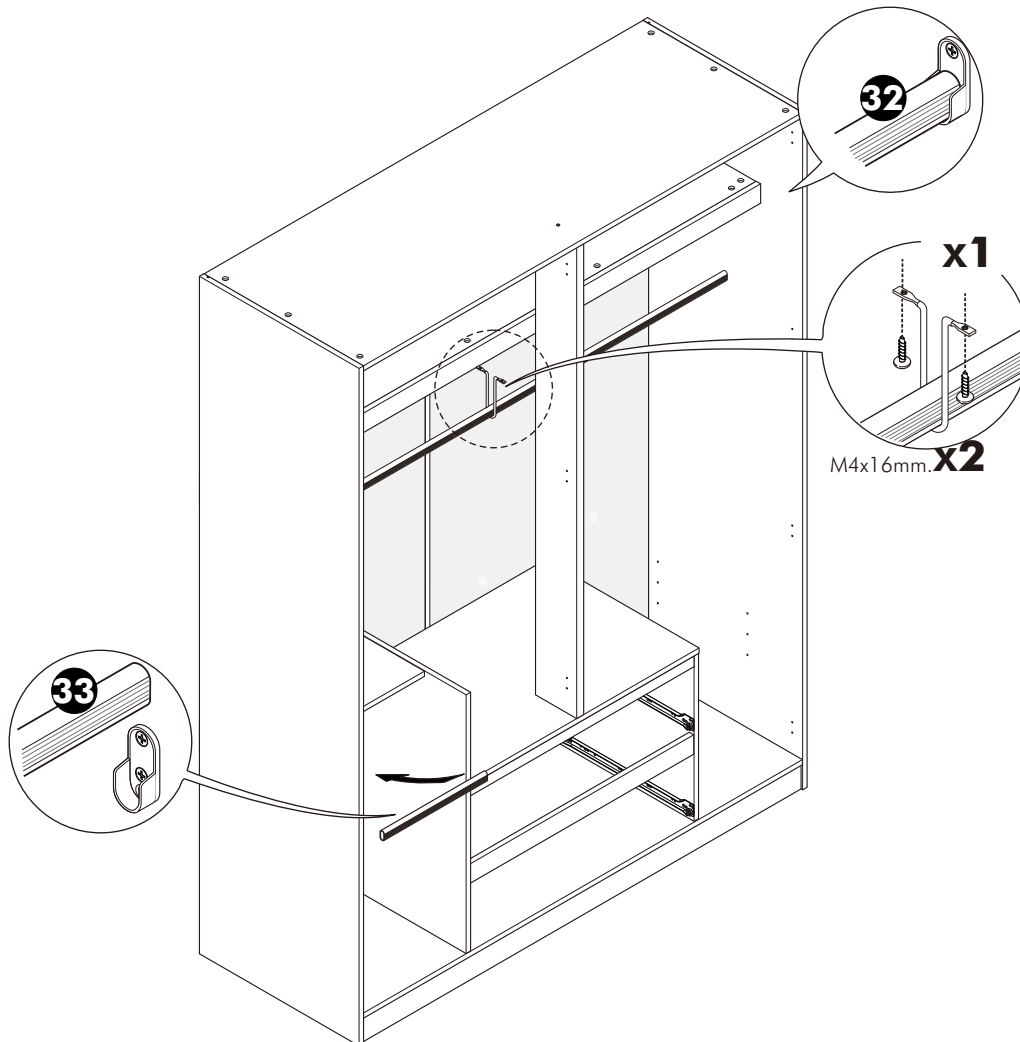
18.



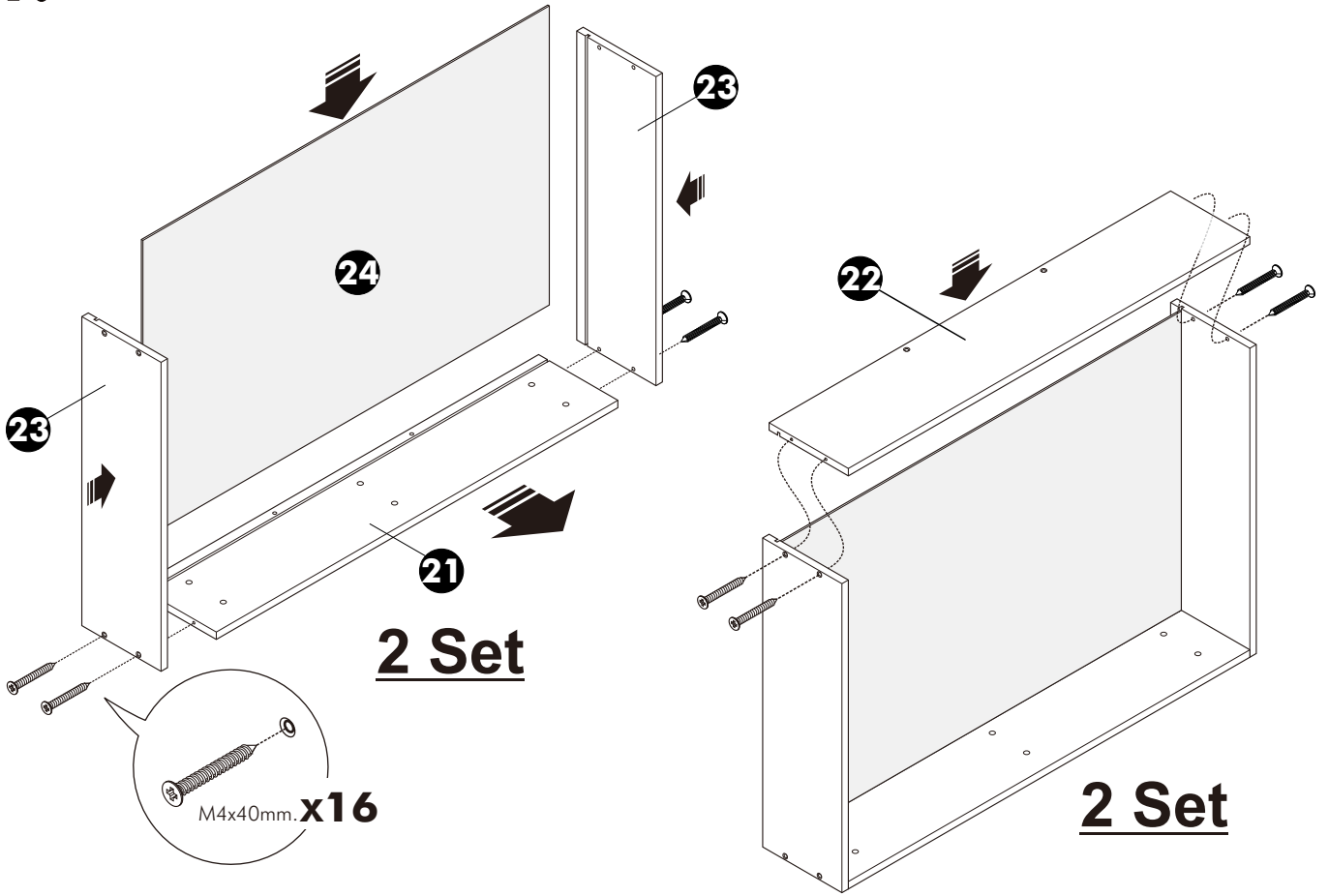
19.



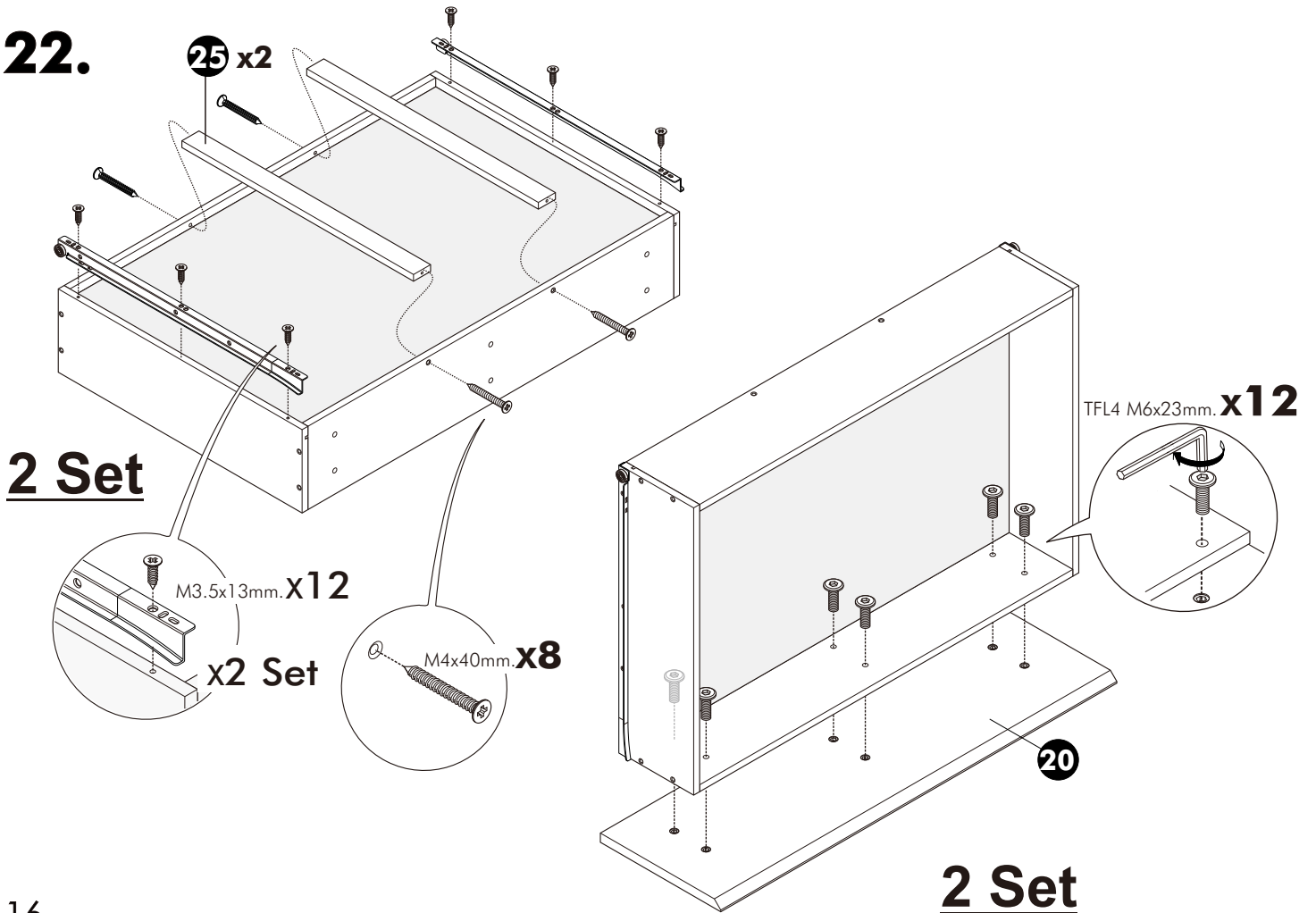
20.



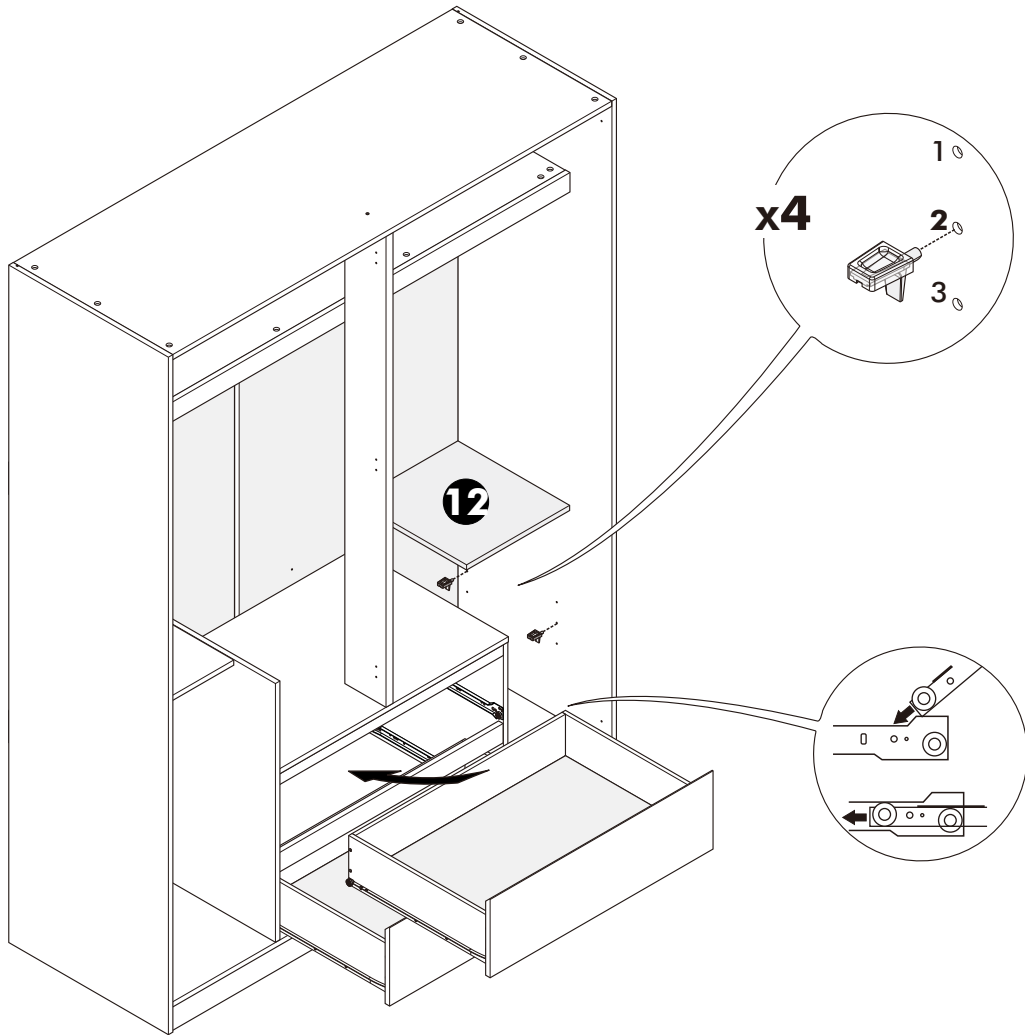
21.



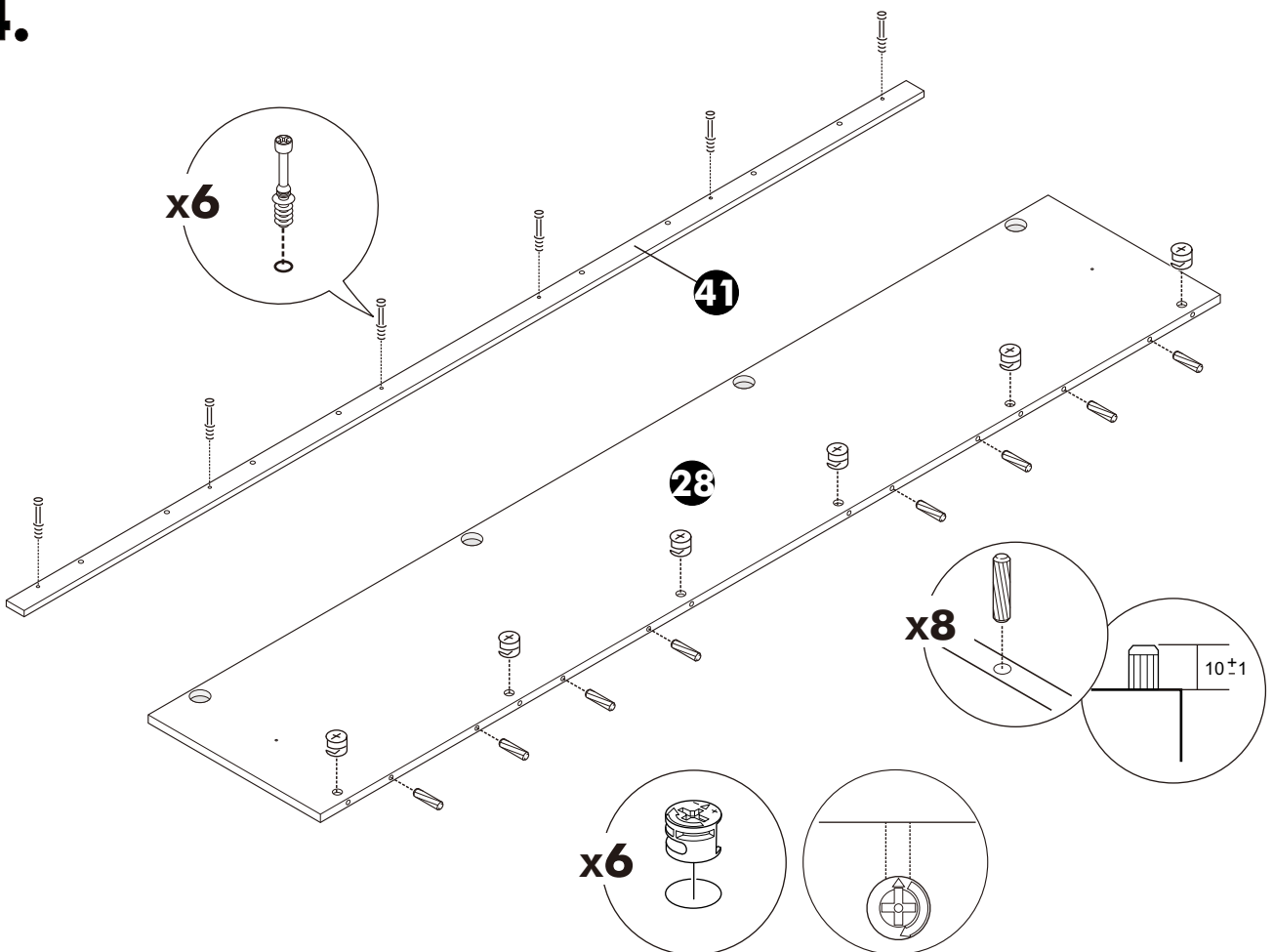
22.



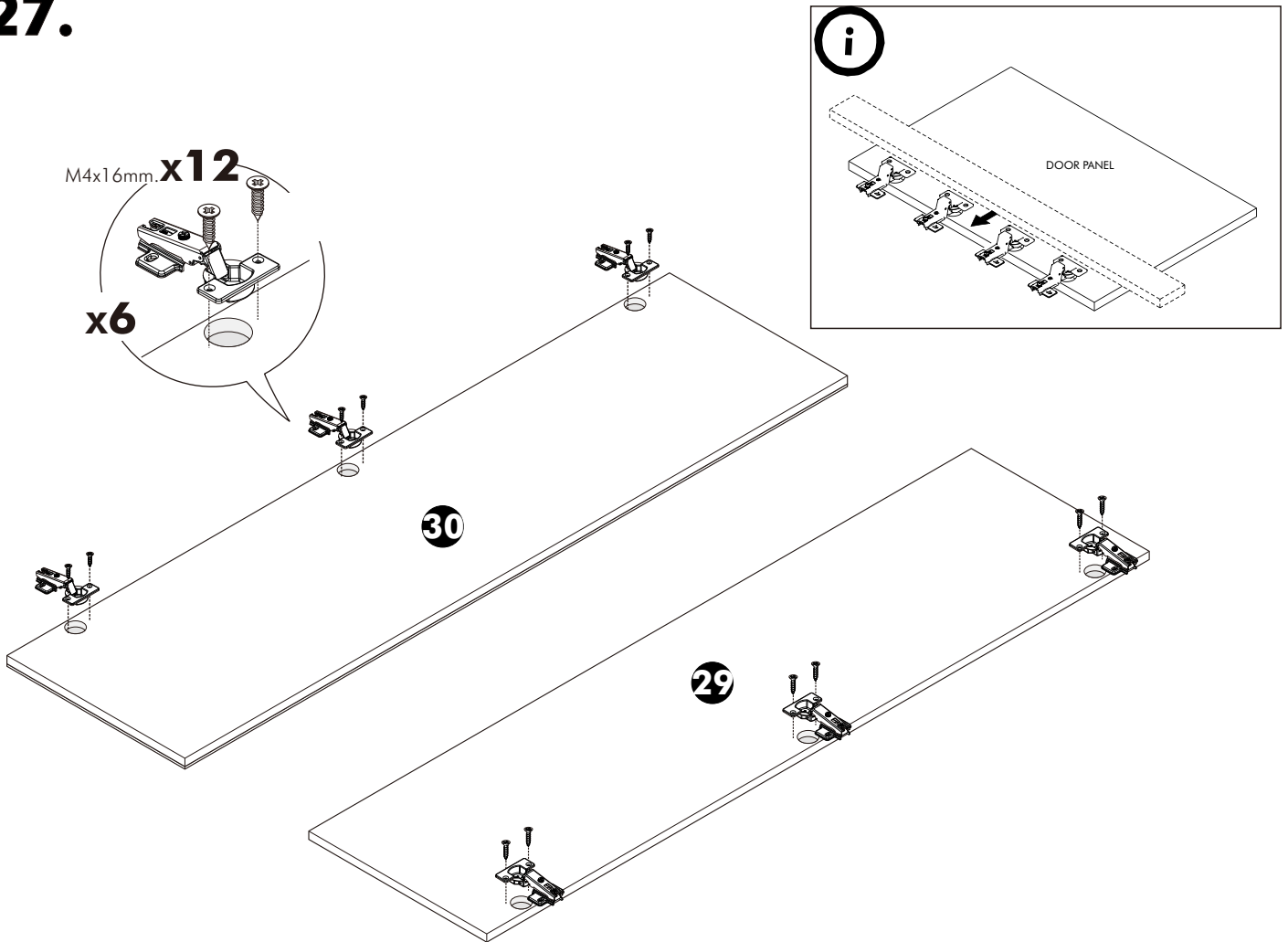
23.



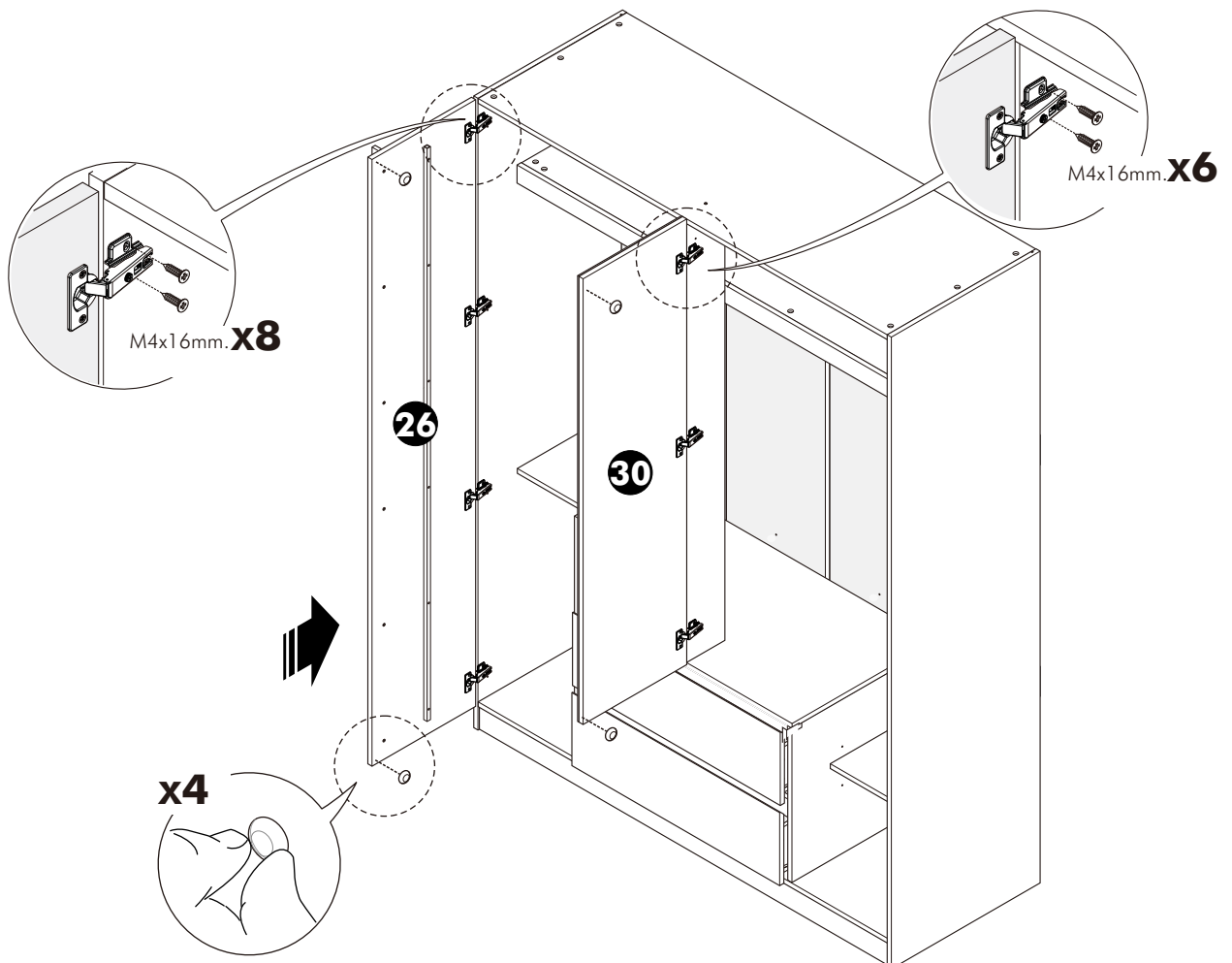
24.



27.



28.



29.

