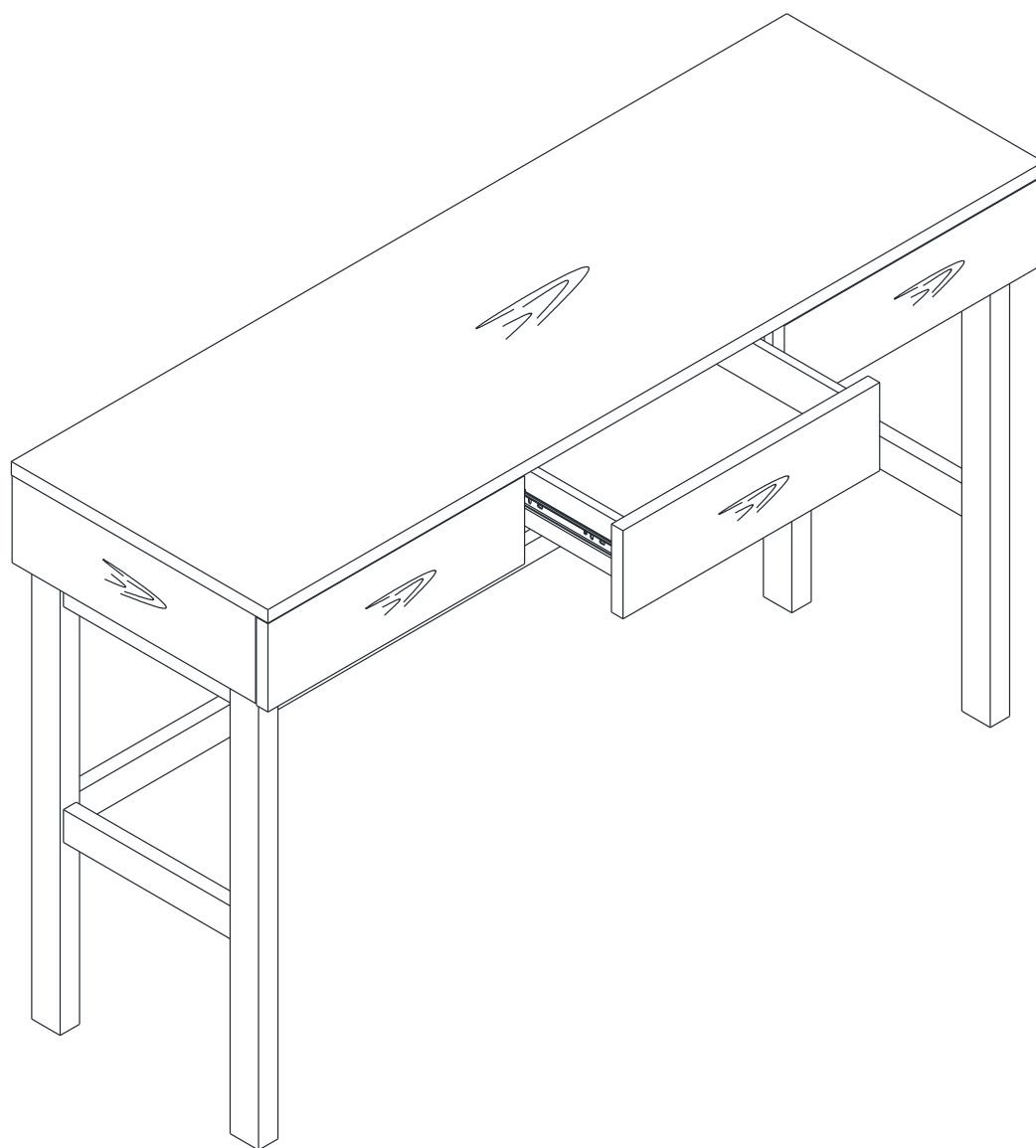
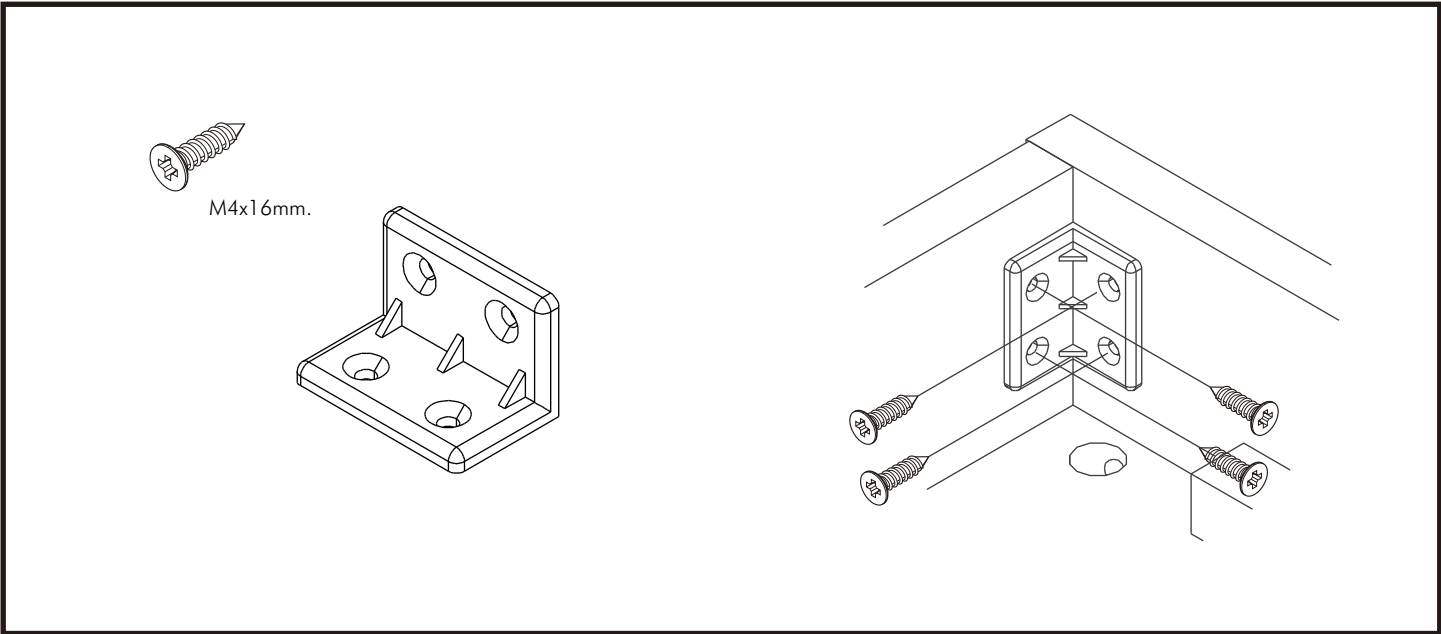
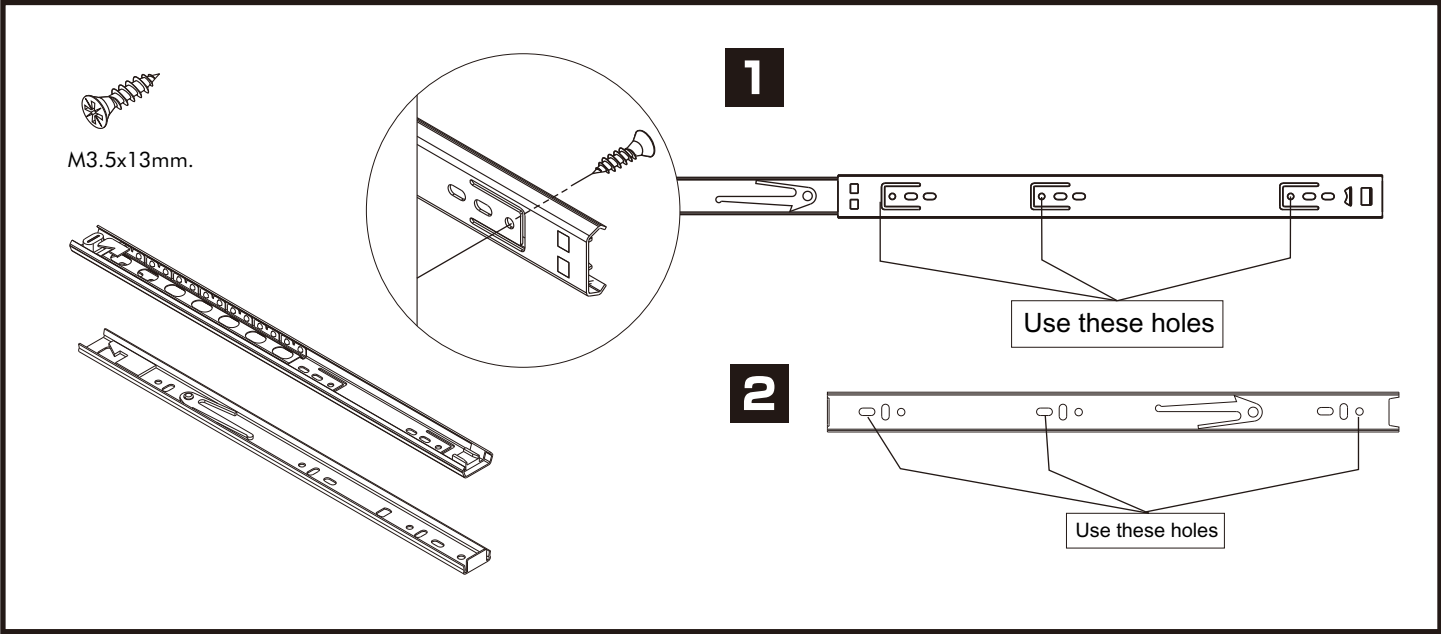
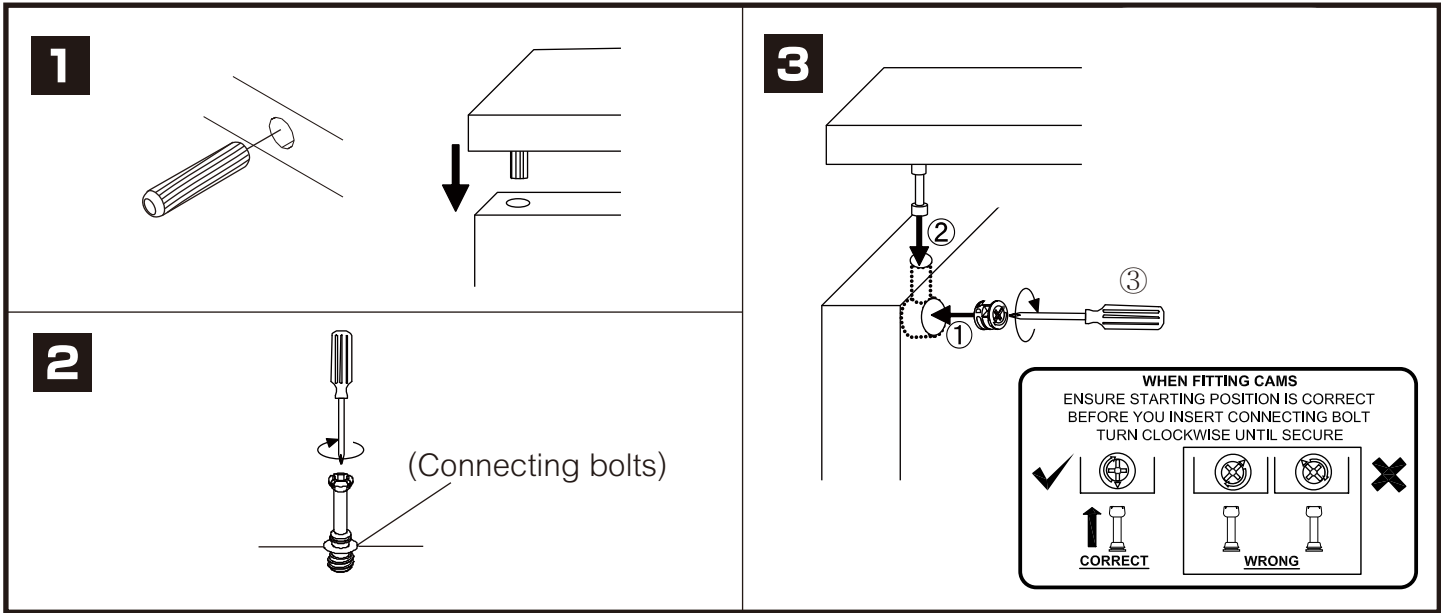


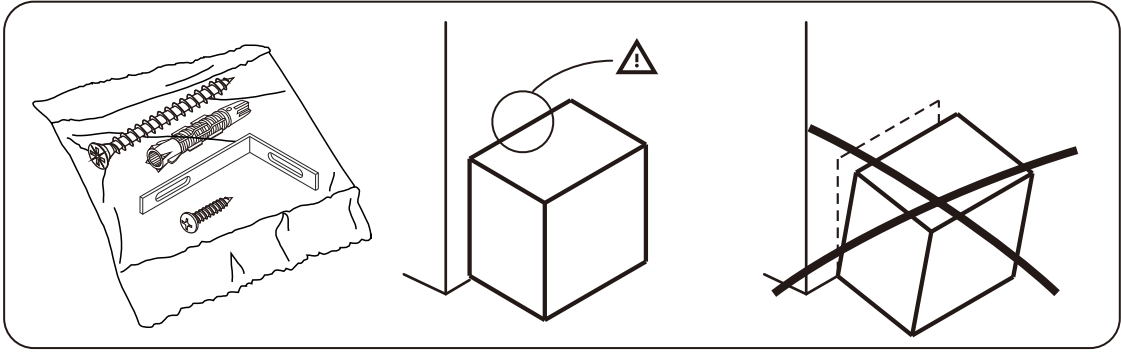
SAPPORO

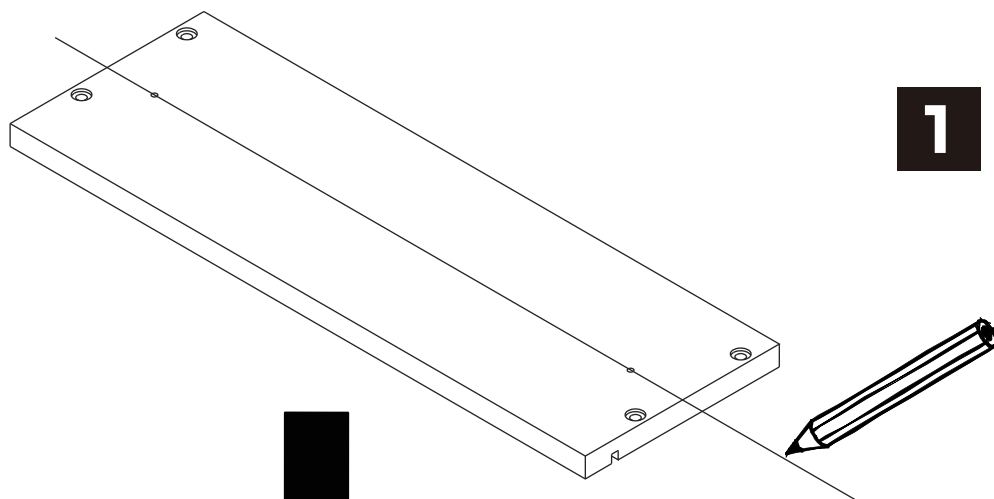
Working table



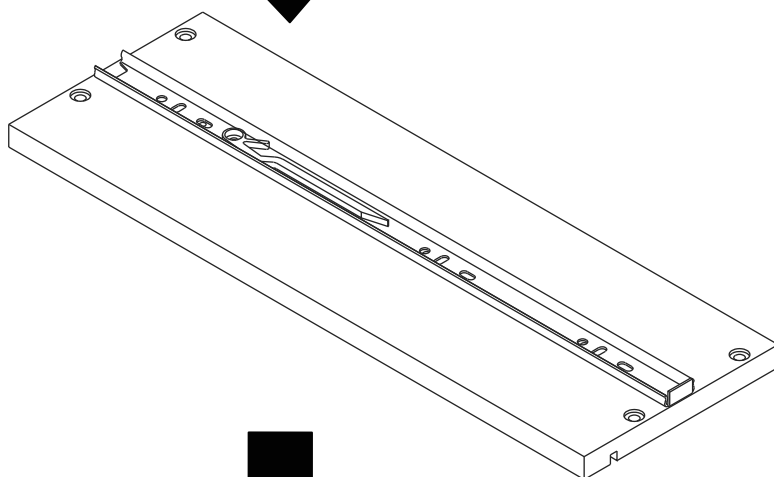
CONNECT SYSTEM



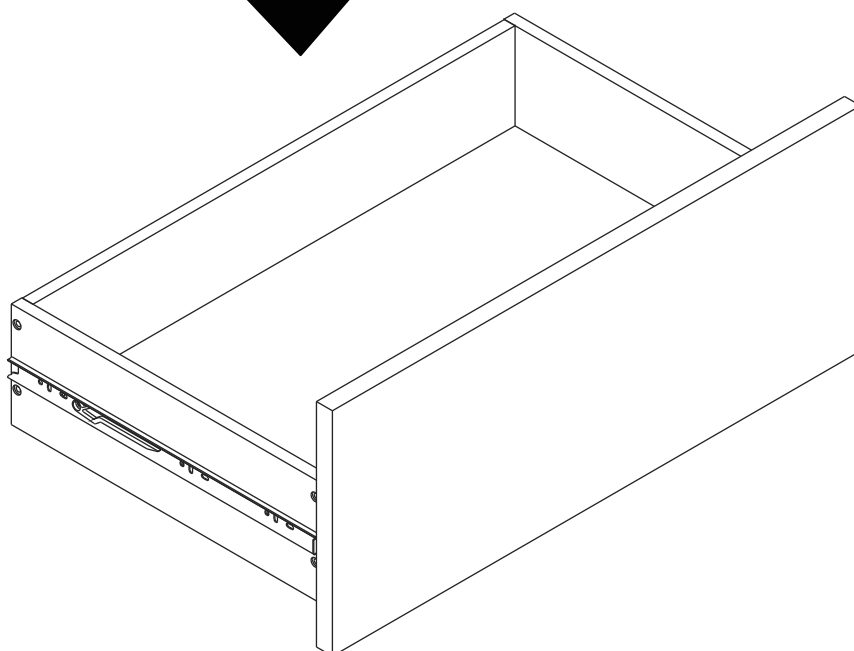
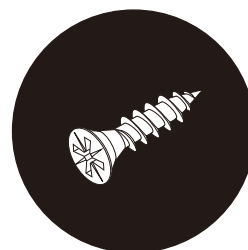




1

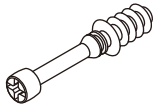


2



HARDWARE

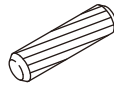
-BODY SET



x 8

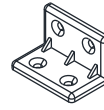


x 8



#8x35

x 24

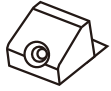


x 16

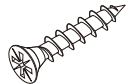


#F+M4x16

x 64



x 6



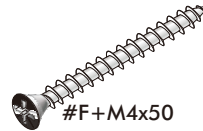
#F+M3.5x20

x 6



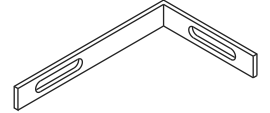
#P+M4x16

x 3

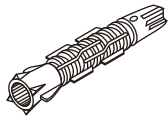


#F+M4x50

x 6



x 1

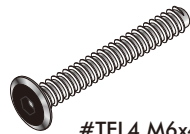


x 1



#F+M5x50

x 1

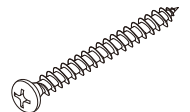


#TFL4 M6x40

x 6



x 6



#P+M4x45

x 6



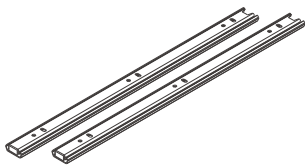
x 1



∅ 25 mm.

x 4

-DRAWER SET

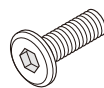


x 1



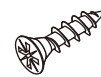
#F+M4x40

x 8



#TFL4 M6x23

x 2



#F+M3.5x13

x 12

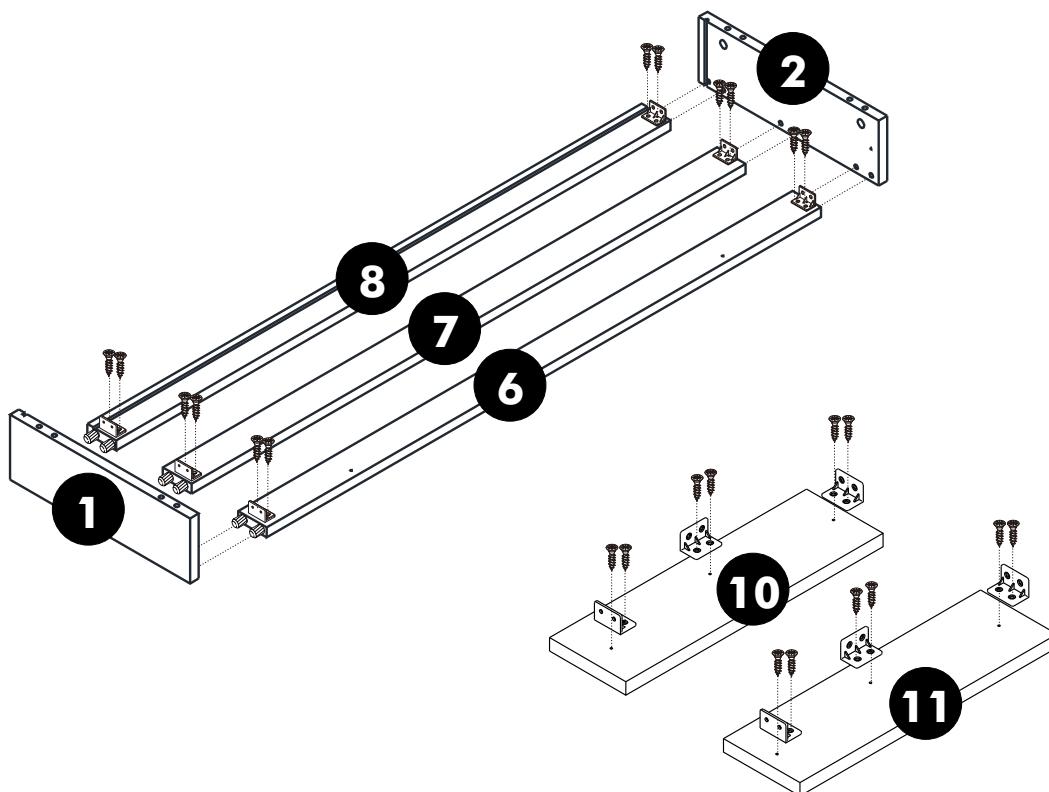


x 1

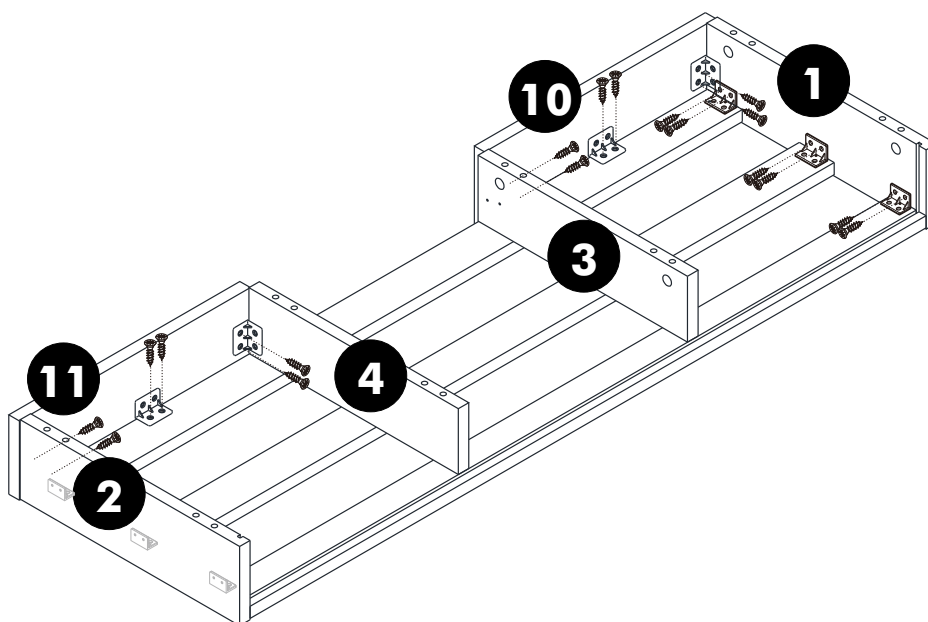
ASSEMBLY

-BODY SET

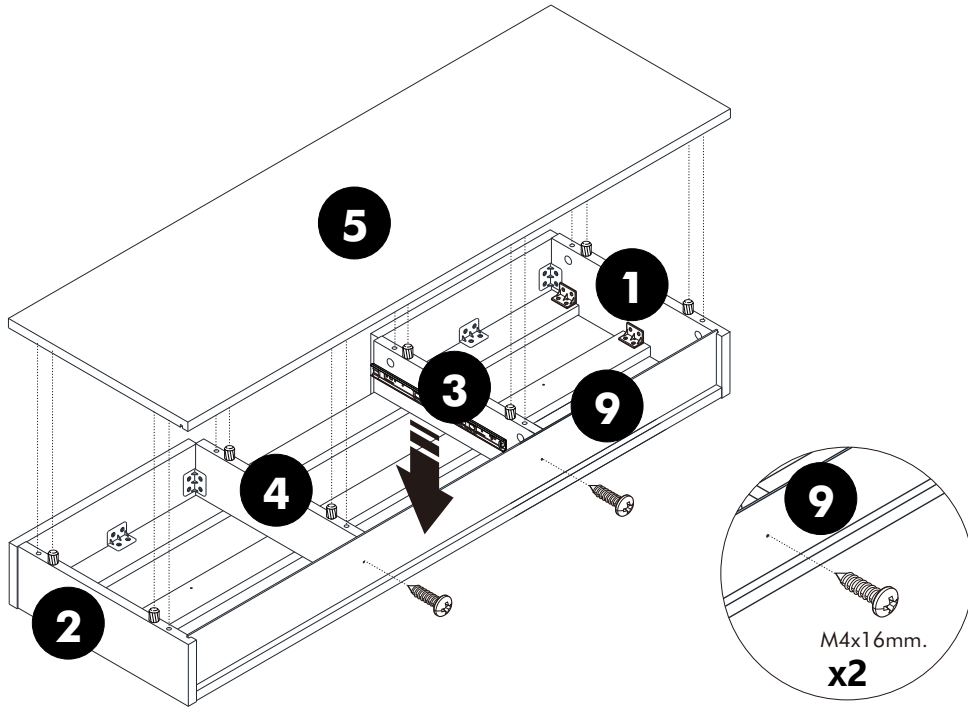
1.



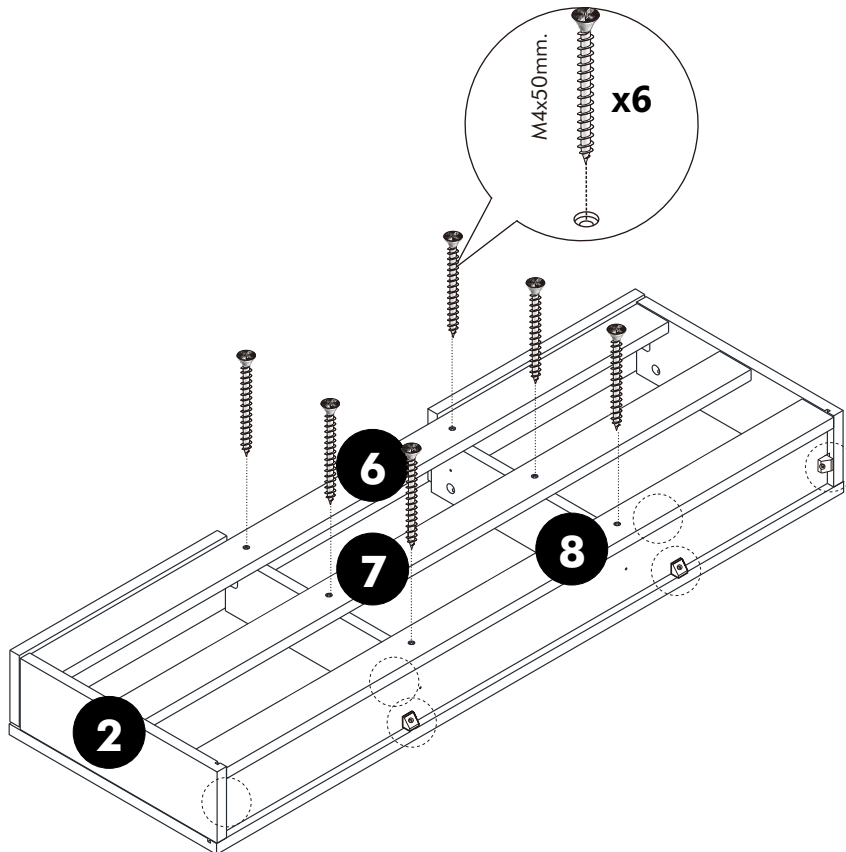
2.



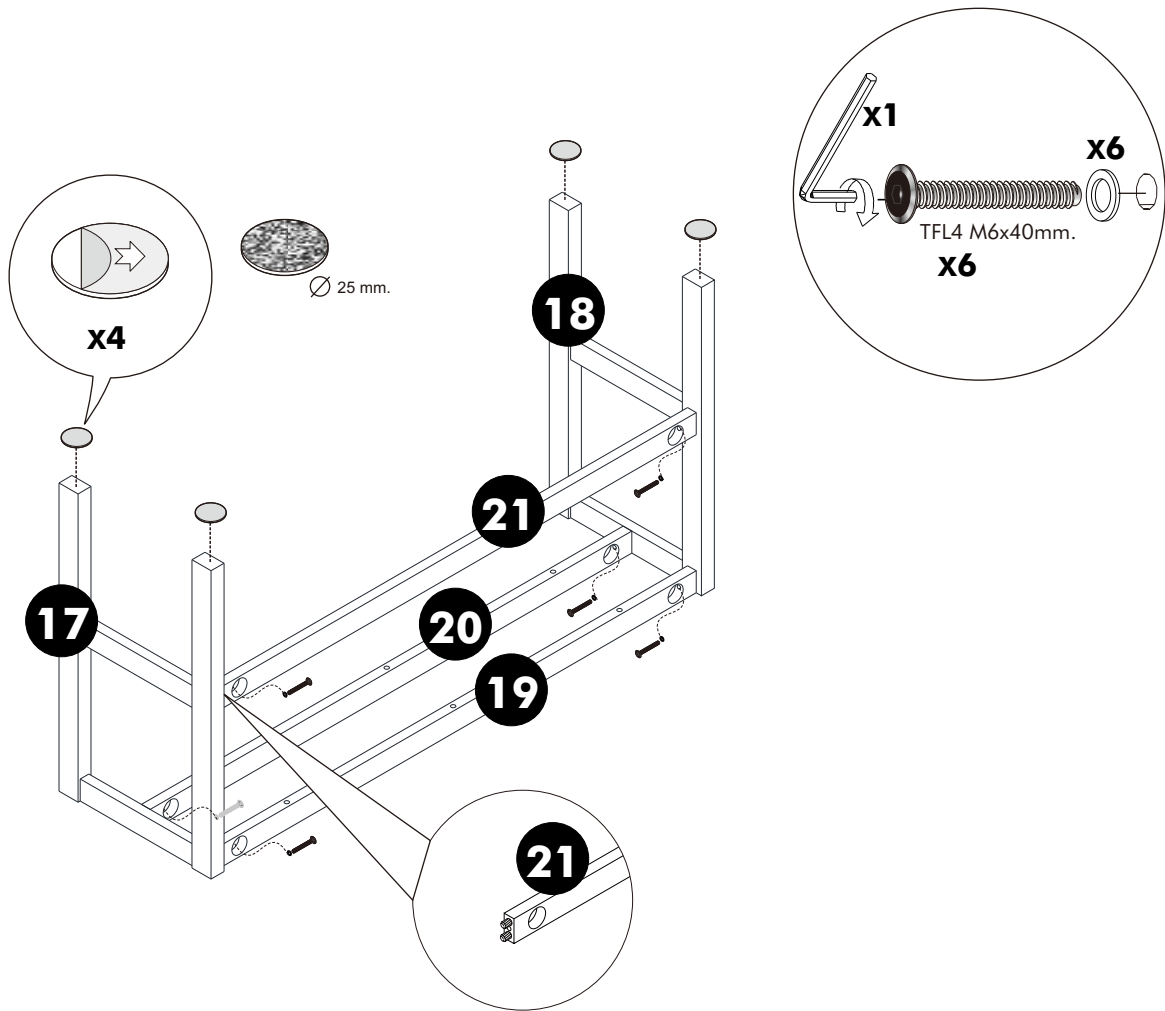
3.



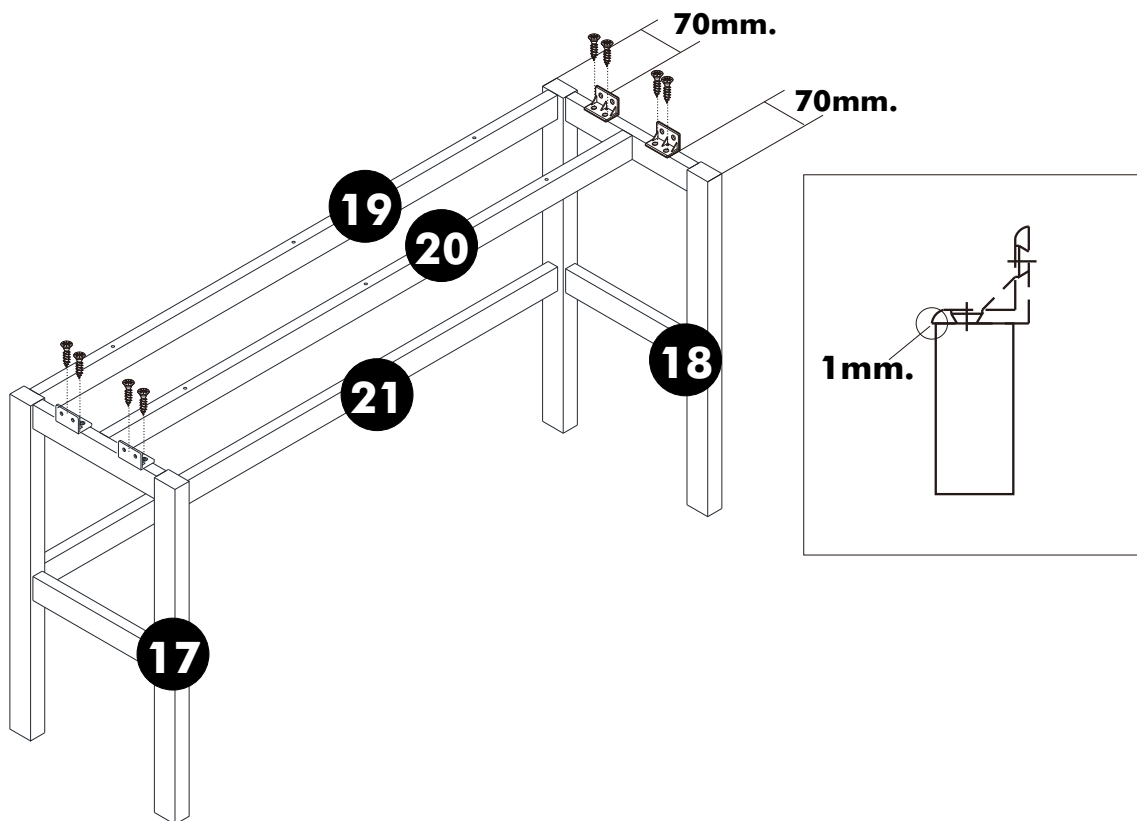
4.



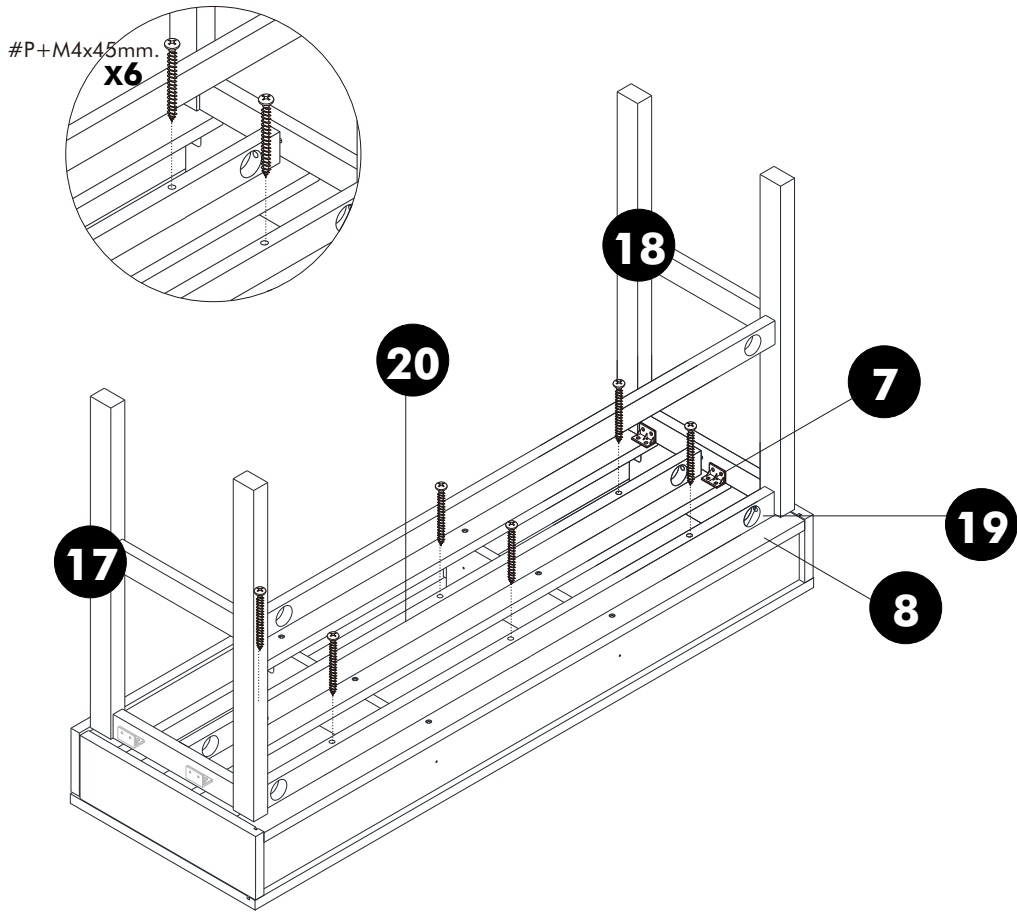
5.



6.



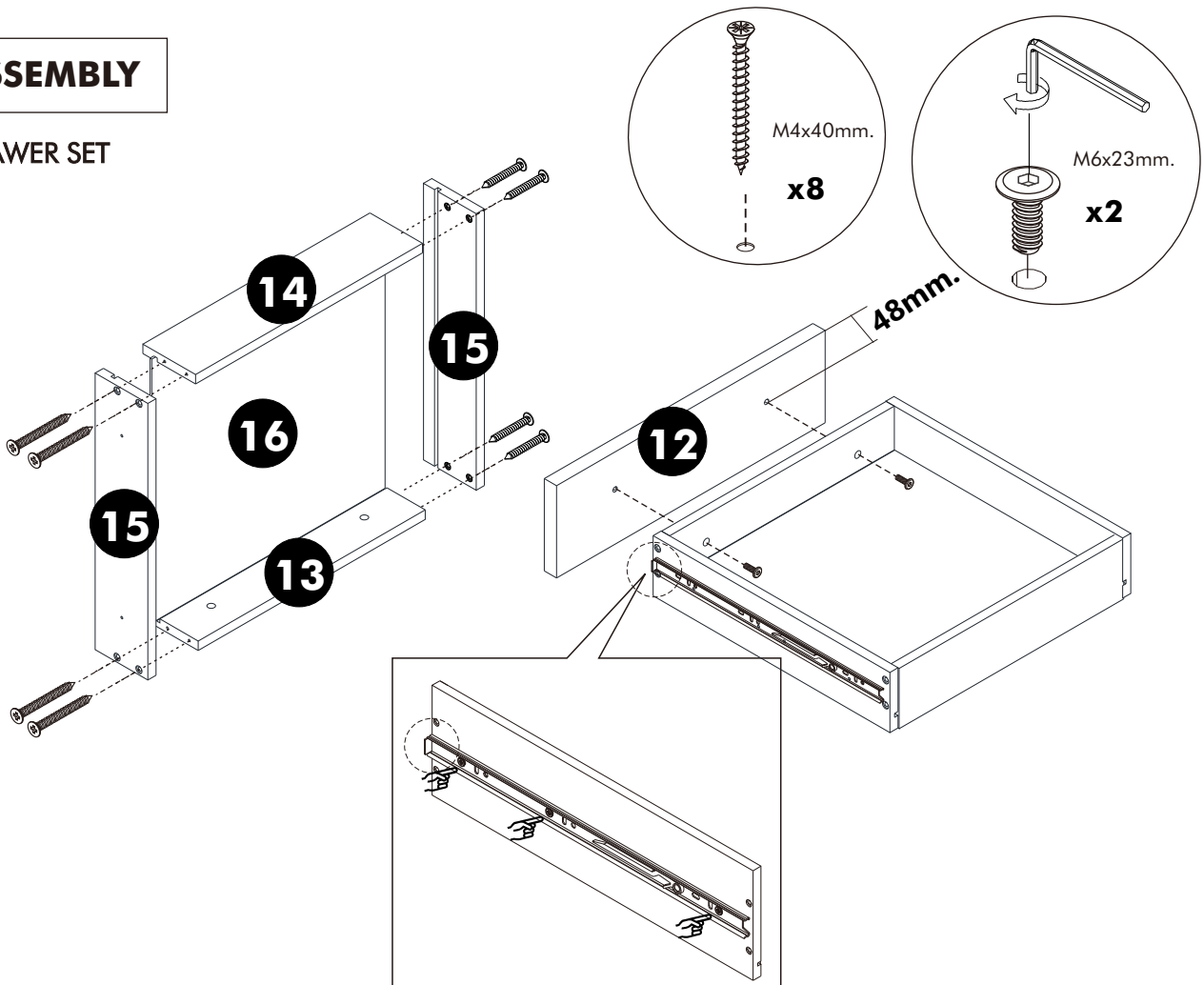
7.



ASSEMBLY

-DRAWER SET

8.



9.

