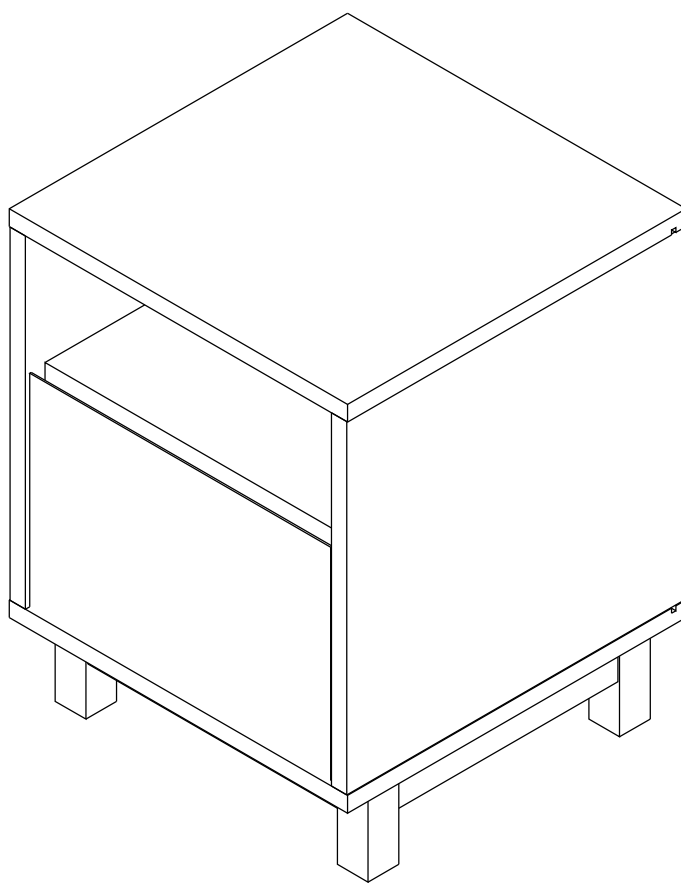


# SAPPORO

**Night table**



# CONNECT SYSTEM

**1**

**2**

(Connecting bolts)

**3**

WHEN FITTING CAMS  
ENSURE STARTING POSITION IS CORRECT  
BEFORE YOU INSERT CONNECTING BOLT  
TURN CLOCKWISE UNTIL SECURE

✓

↑

CORRECT

✗

WRONG

M3.5x13mm.

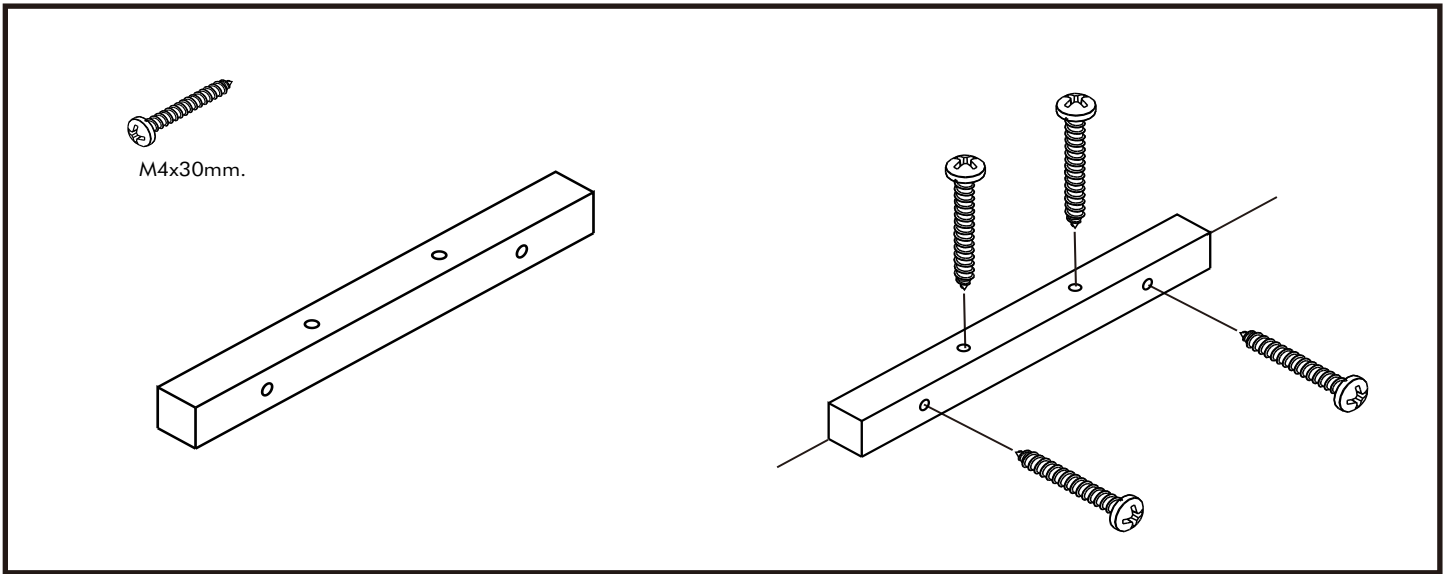
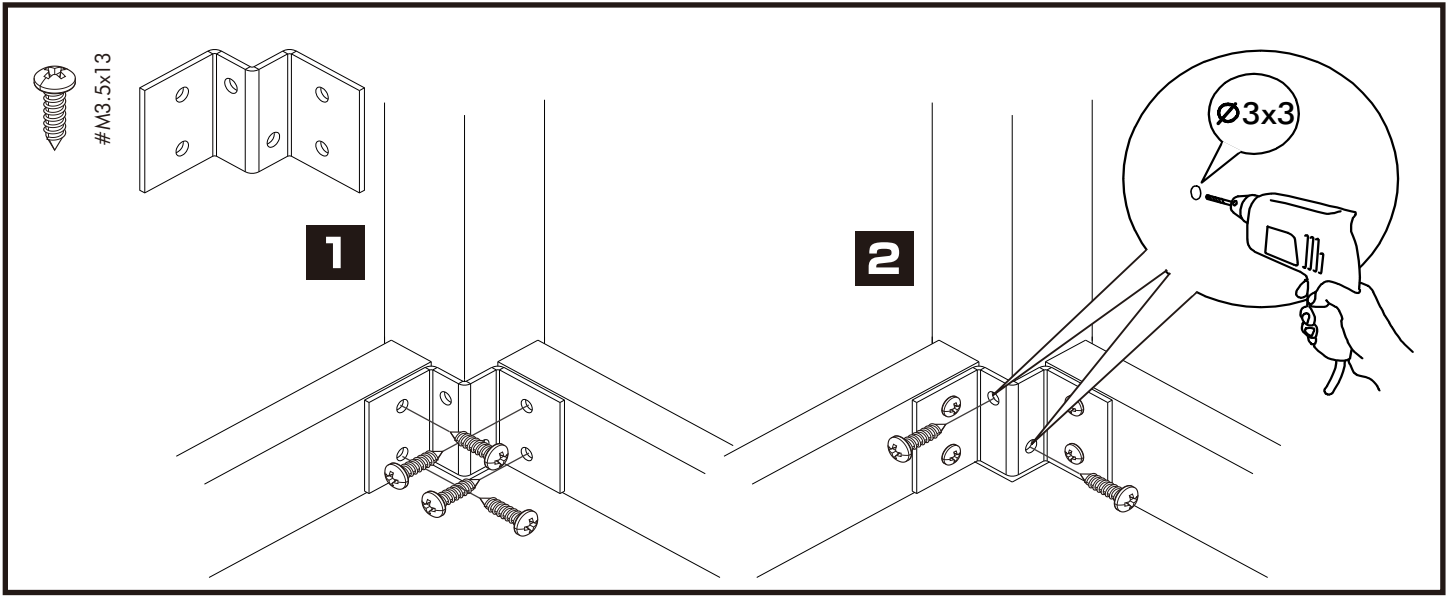
**1**

Use these holes

**2**

Use these holes

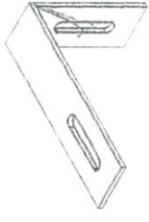
M3.5x20mm.



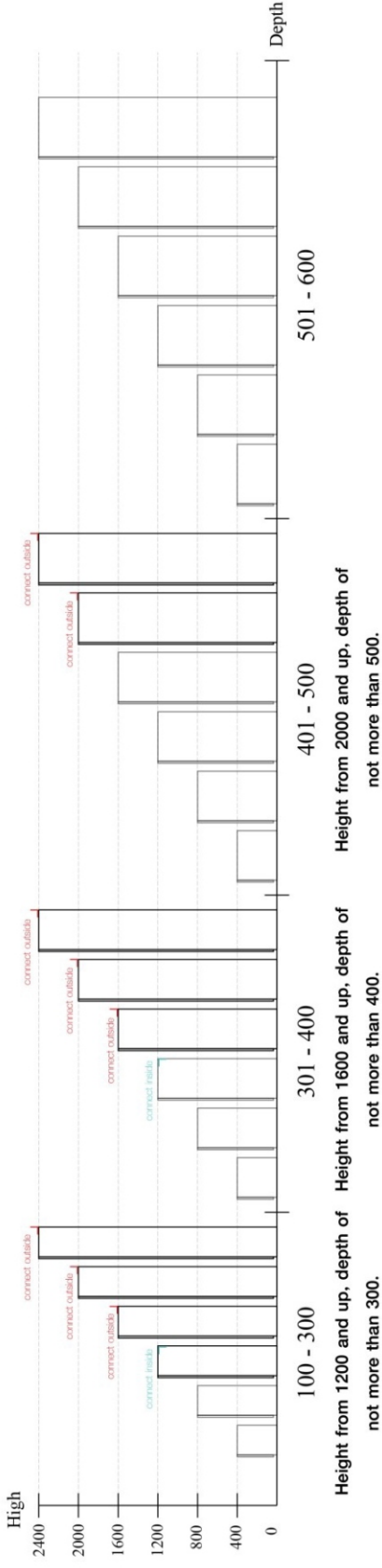


**The Standard for identifying which mounted safety fall protection fitting to use** **Note : That children's products must be installed with all anti-falling fittings.**

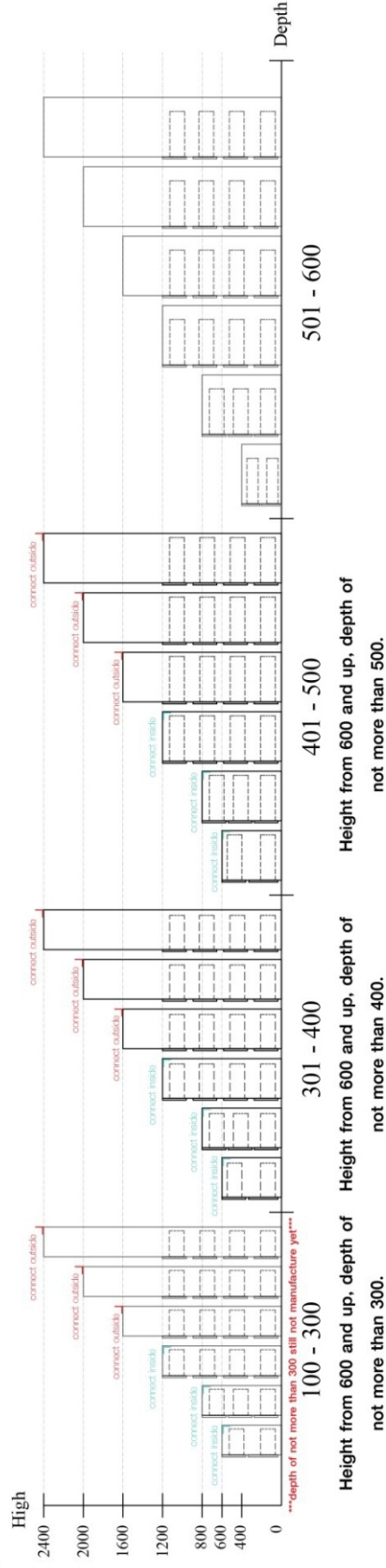
■ Mounted fall protection fittings



■ Category : Cabinet with open doors

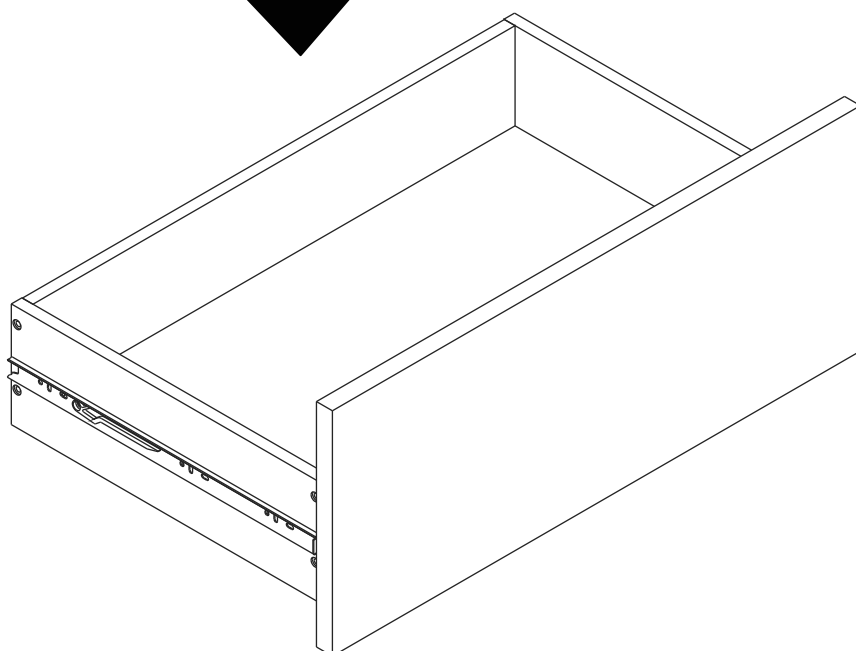
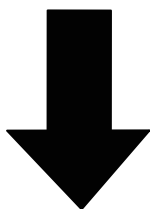
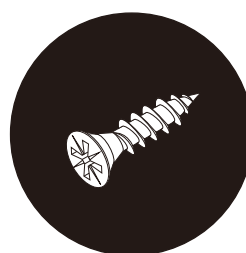
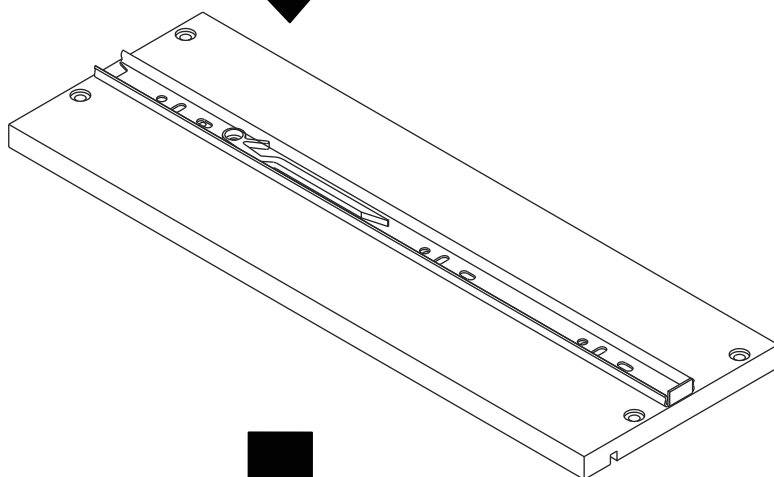
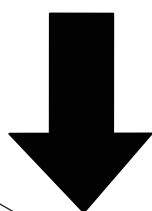
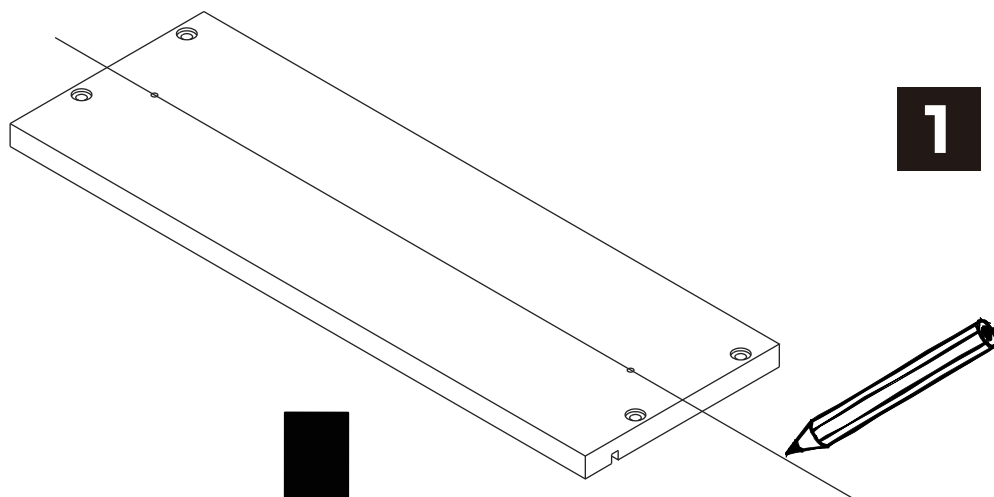


■ Category : Chest of drawers



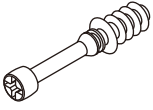
■ Category : Sliding door cabinet / Open cabinet





# HARDWARE

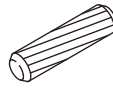
## -BODY SET



**X 8**

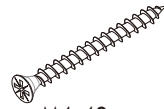


**X 8**



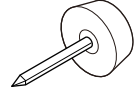
#8x35

**X 20**

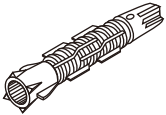


M4x40

**X 8**



**X 4**

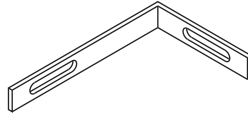


**X 1**

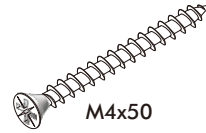


#F+M5x50

**X 1**



**X 1**



M4x50

**X 8**



**X 4**

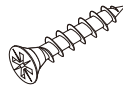


#P+M4x16

**X 1**

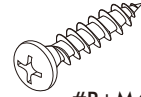


**X 4**



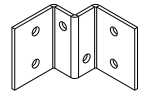
#F+M3.5x20

**X 4**



#P+M4x30

**X 16**



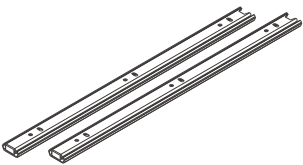
**X 4**



#P+M3.5x13

**X 24**

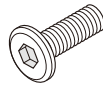
## -DRAWER SET



**X 1**



**X 1**



#TFL4 M6x23

**X 4**



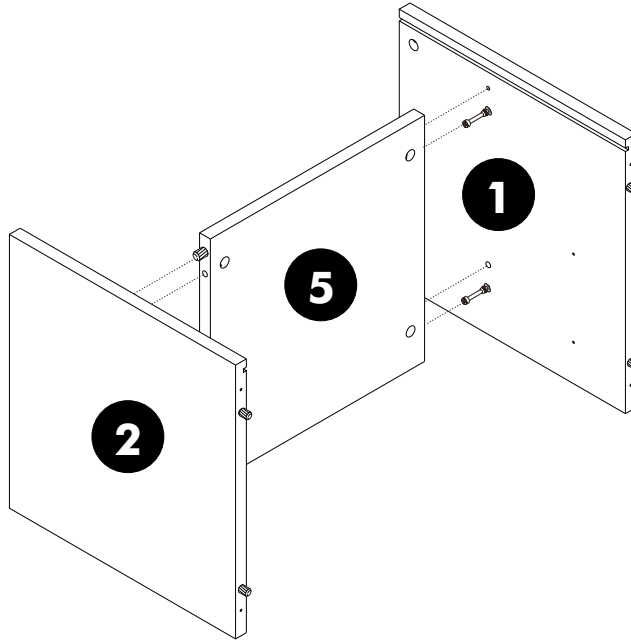
#F+M3.5x13

**X 12**

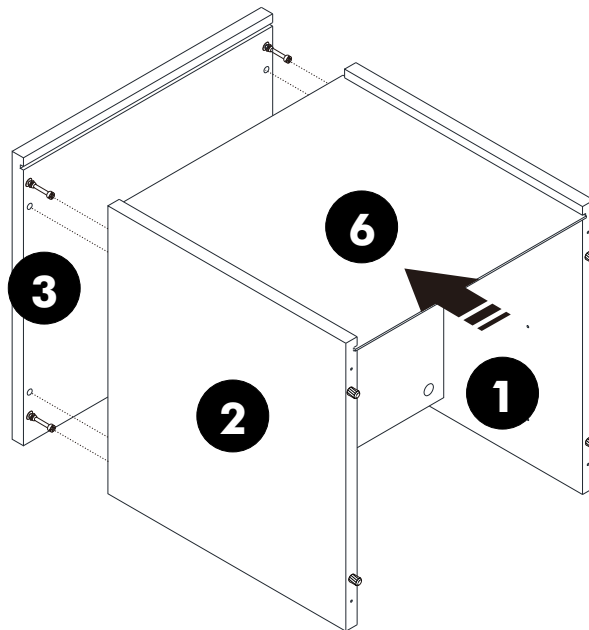
# ASSEMBLY

-BODY SET

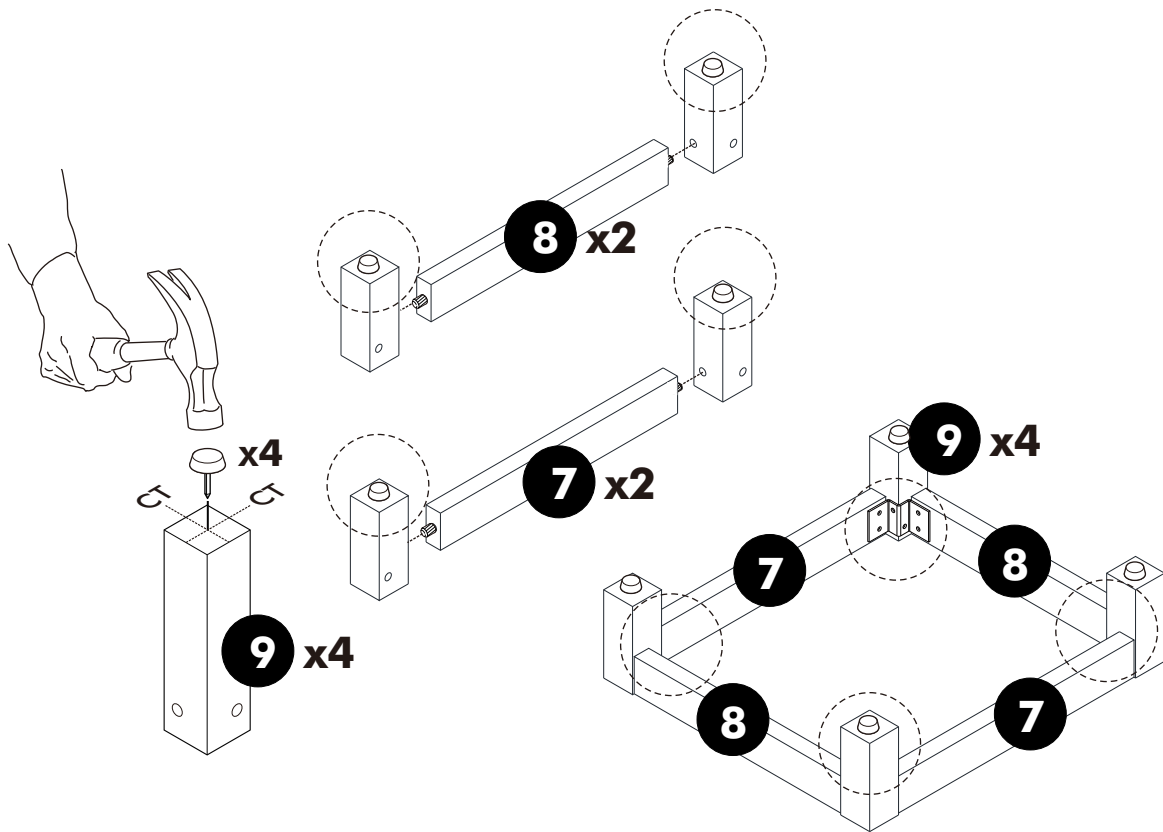
1.



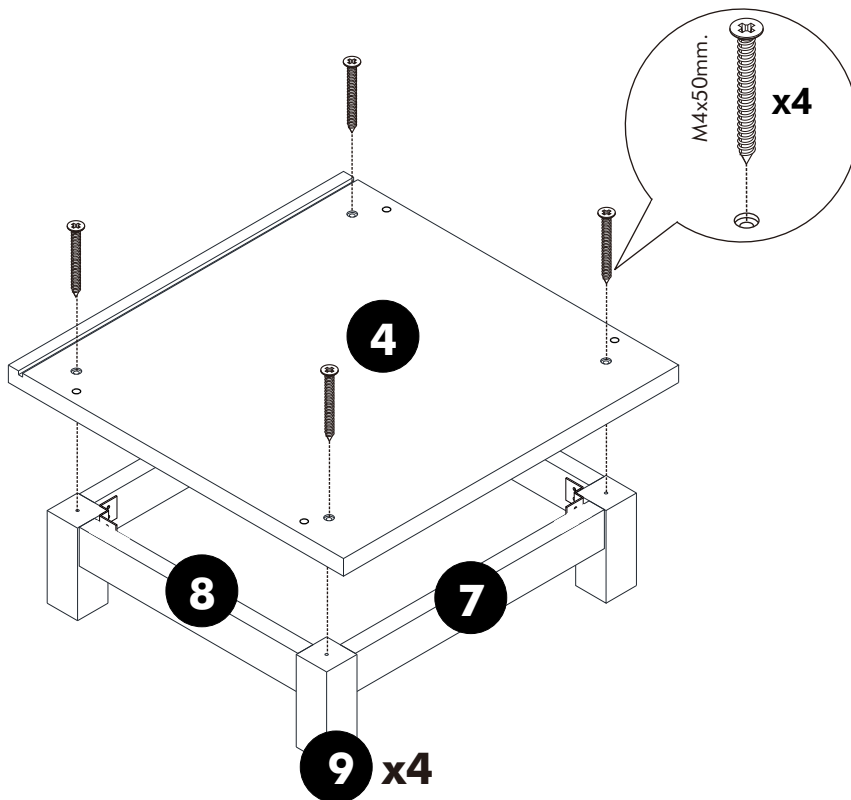
2.



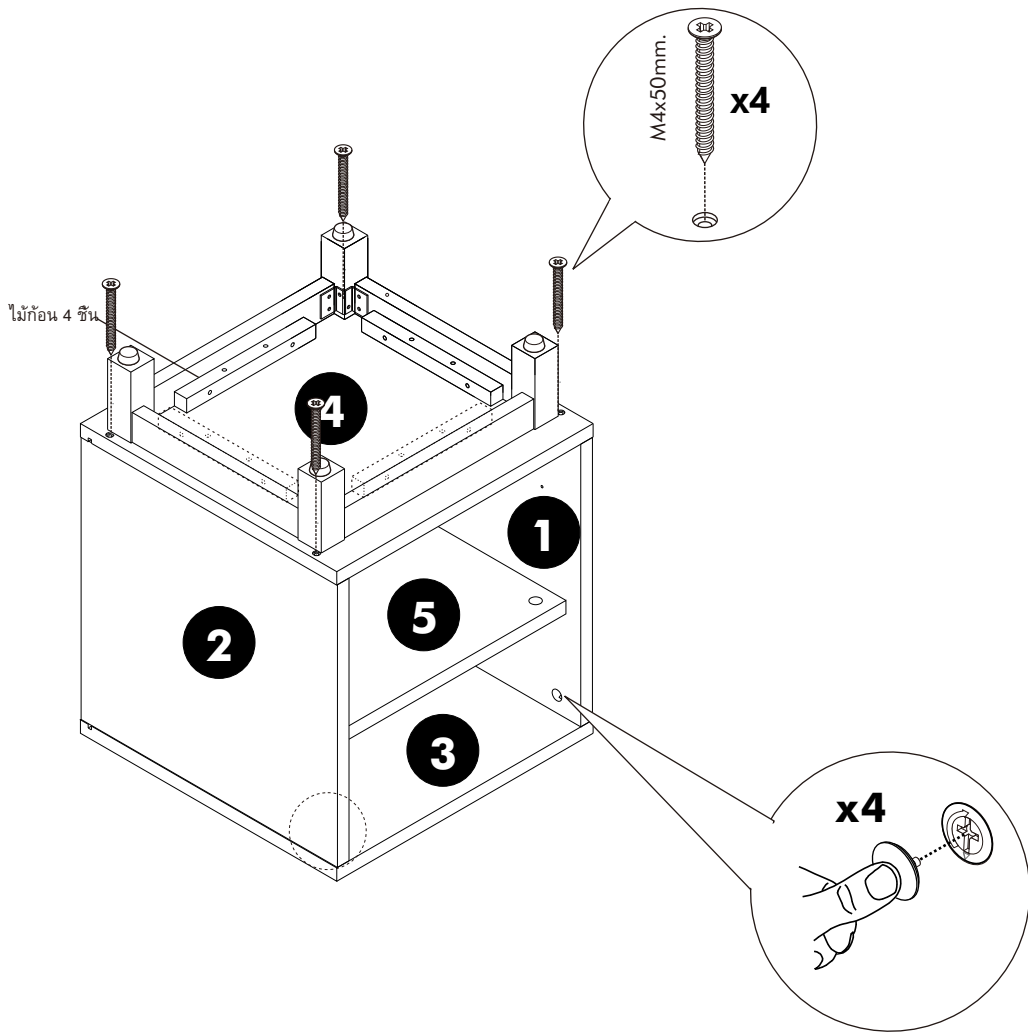
**3.**



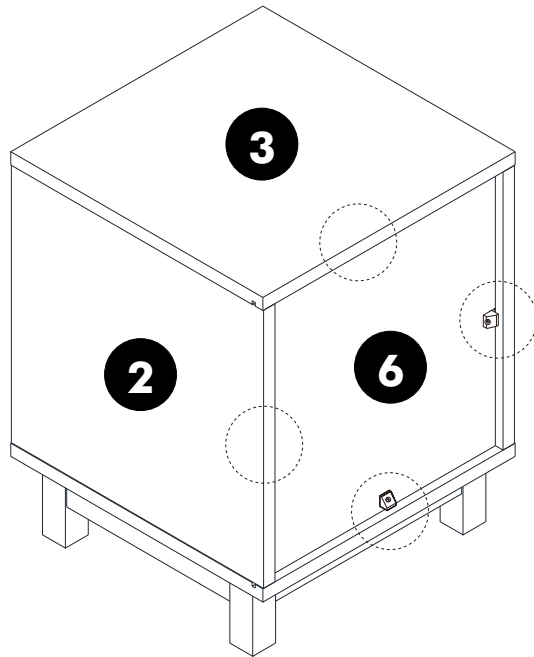
**4.**



5.



6.



# ASSEMBLY

-DRAWER SET

## 7.

