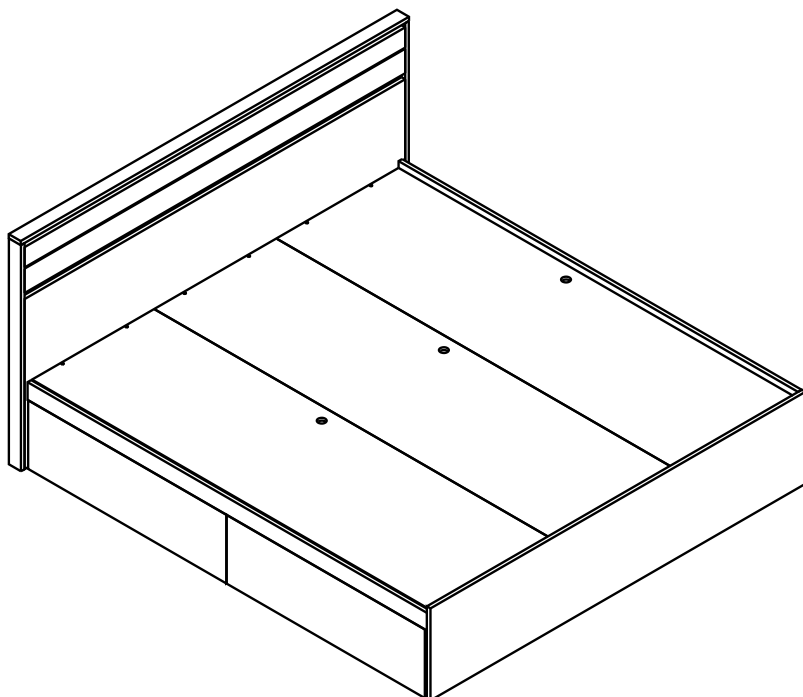
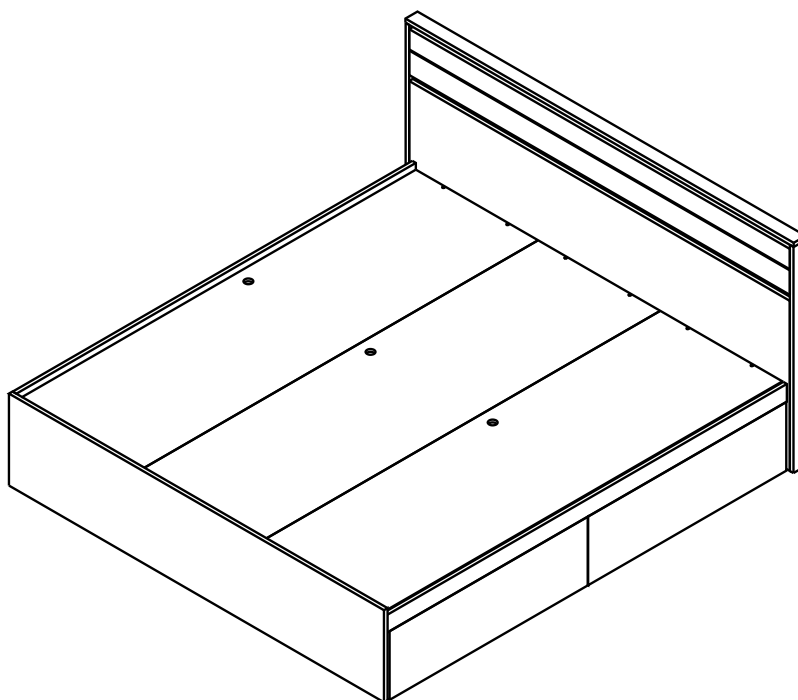


# SAPPORO

Bed 5 ft.

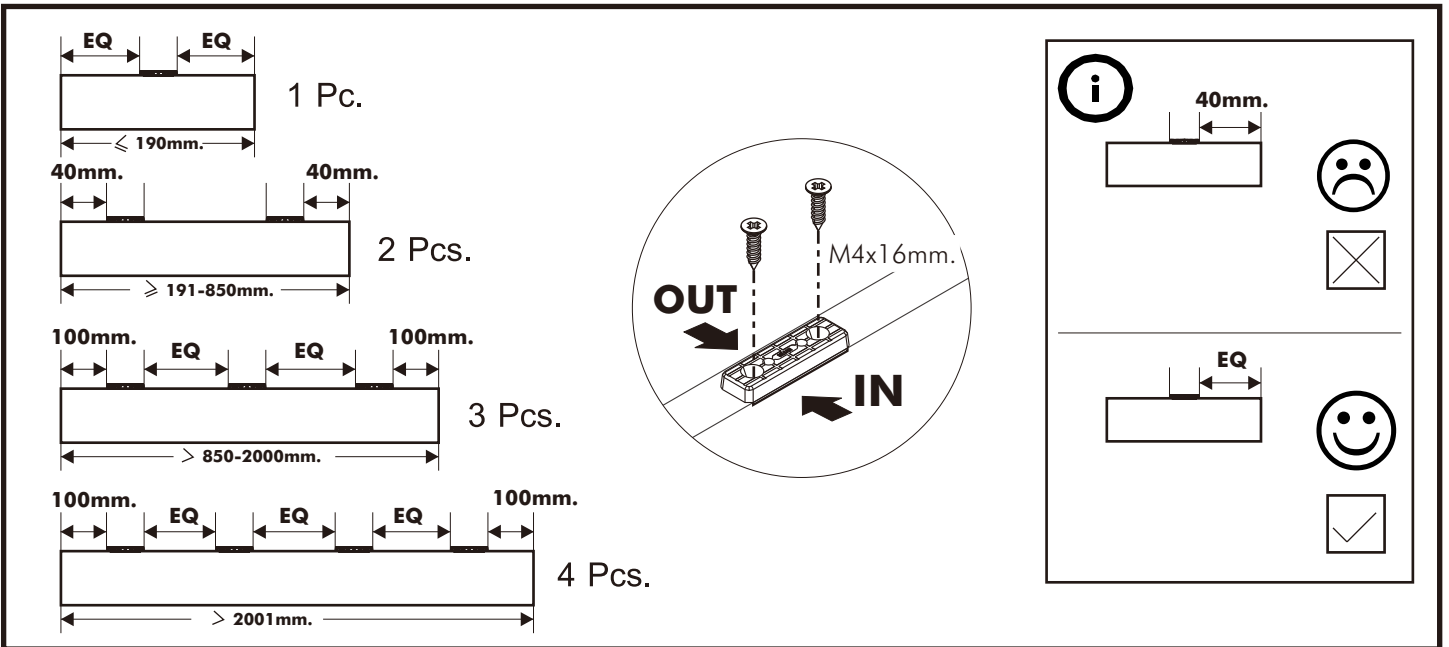
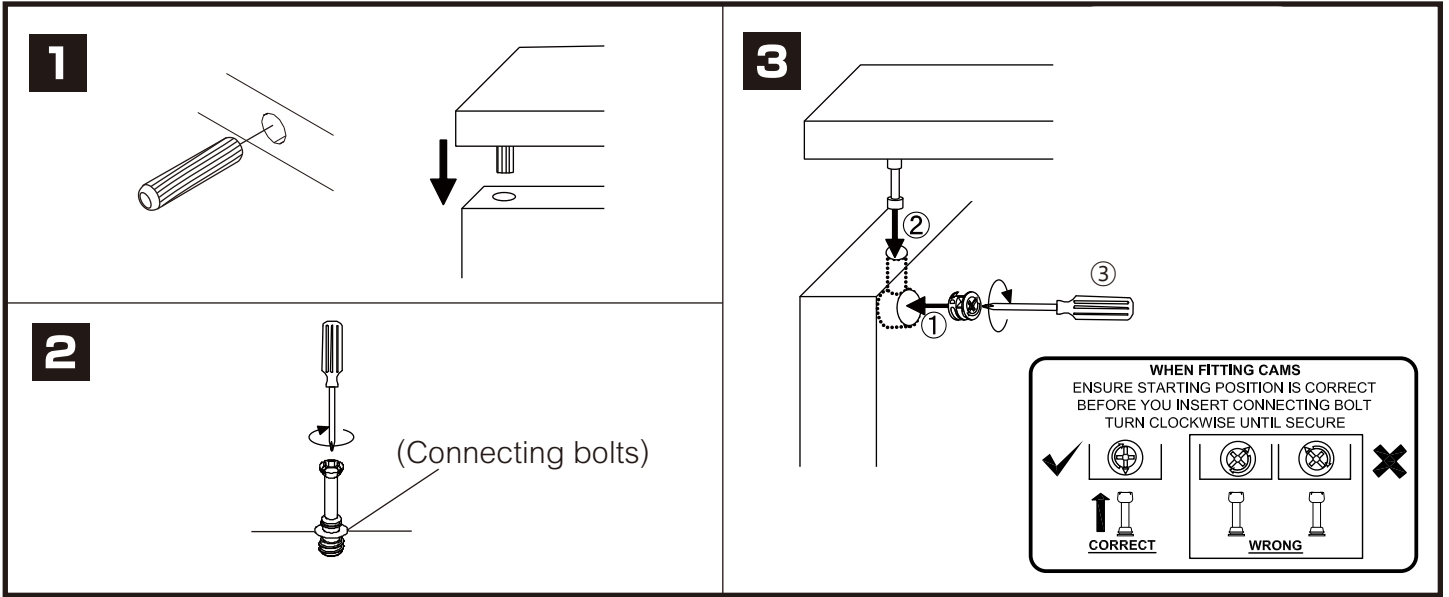


**TYPE RIGHT**



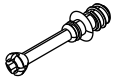
**TYPE LEFT**

# CONNECT SYSTEM



# HARDWARE

## -BODY SET

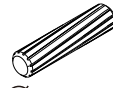


**x 6**



#19 mm.

**x 6**



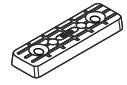
8x35

**x 9**



#M4x25(F)

**x 4**

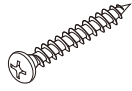


**x 9**



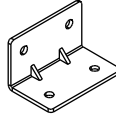
#M4x16(F)

**x 18**



#M4x30(P)

**x 4**

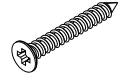


**x 4**



#M4x16(P)

**x 19**



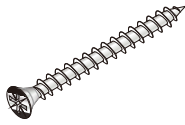
#M4x30(F)

**x 46**



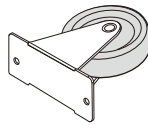
TFL4 M6x23

**x 12**



#M4x40(F)

**x 37**



**x 10**



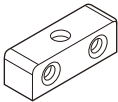
No.1

**x 3**



#M4x13(P)

**x 40**

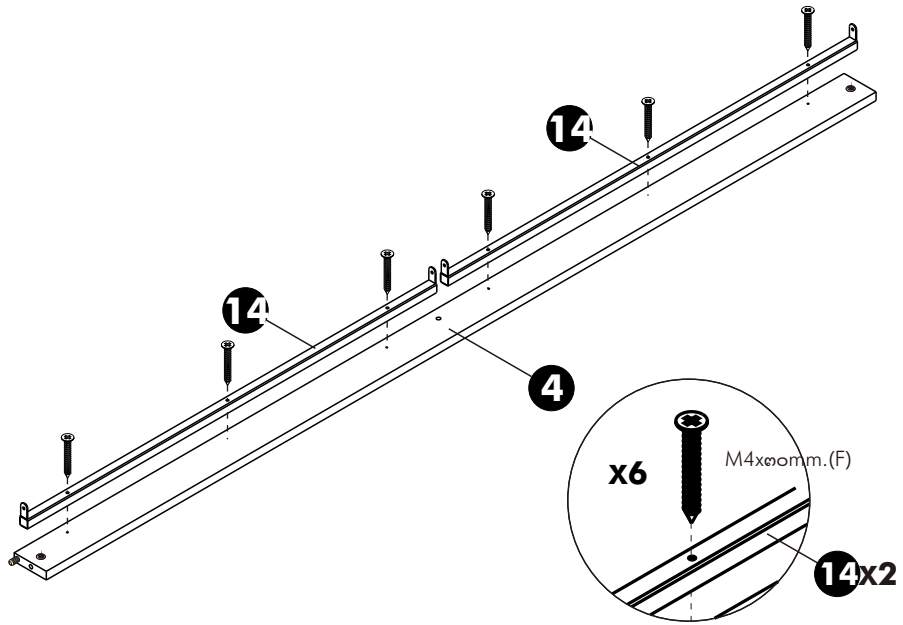


**x 2**

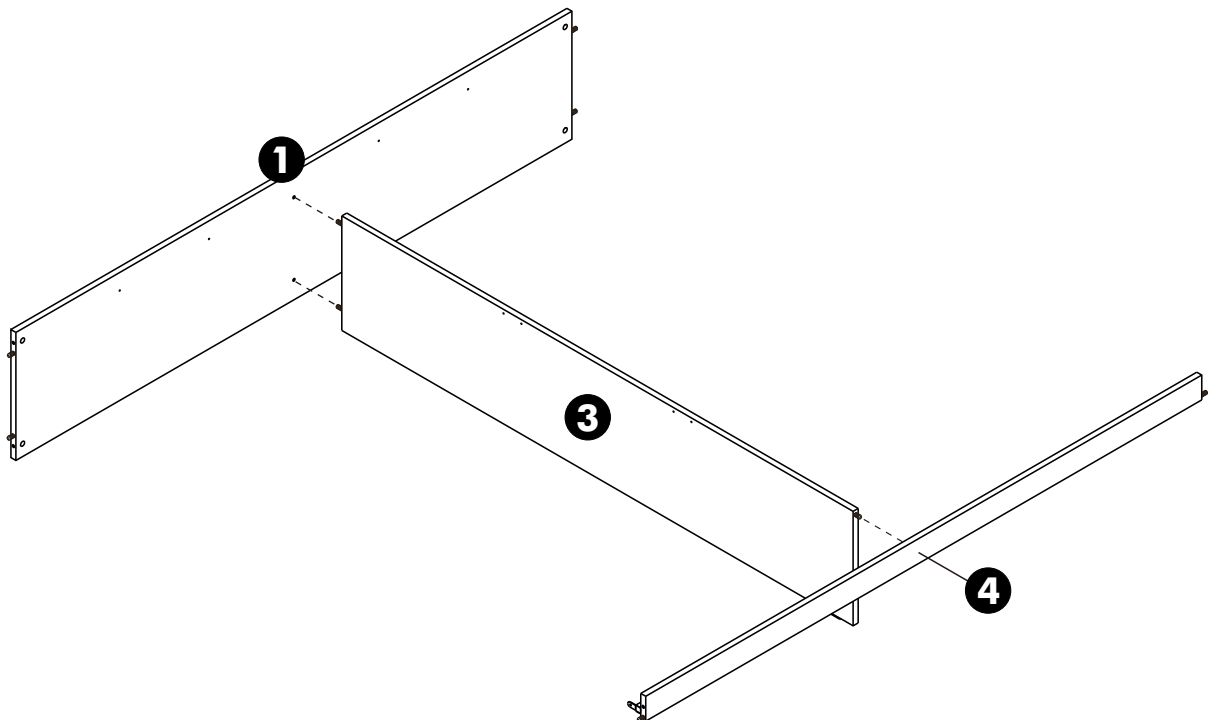
# ASSEMBLY

-BODY SET

1.

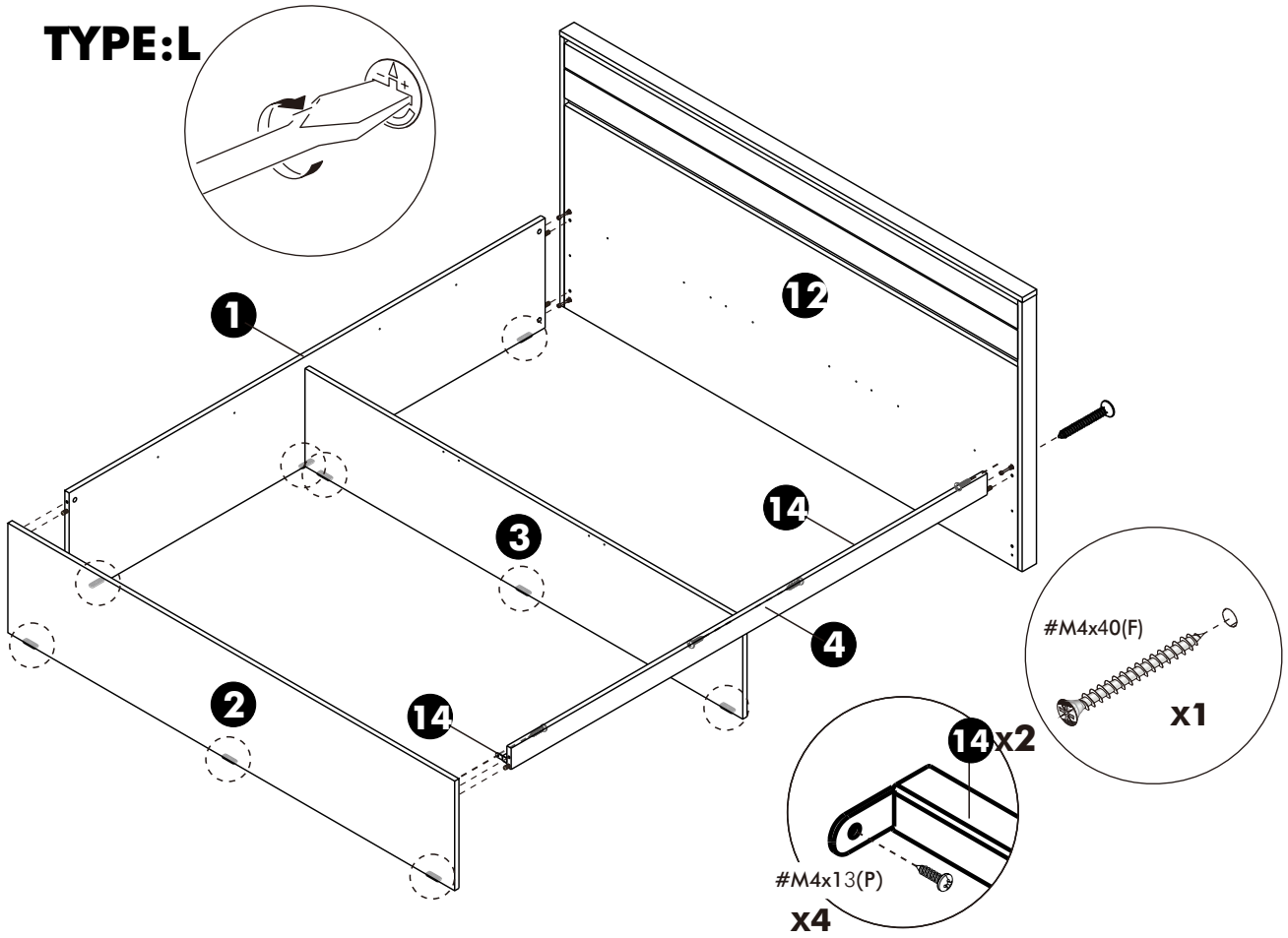


2.

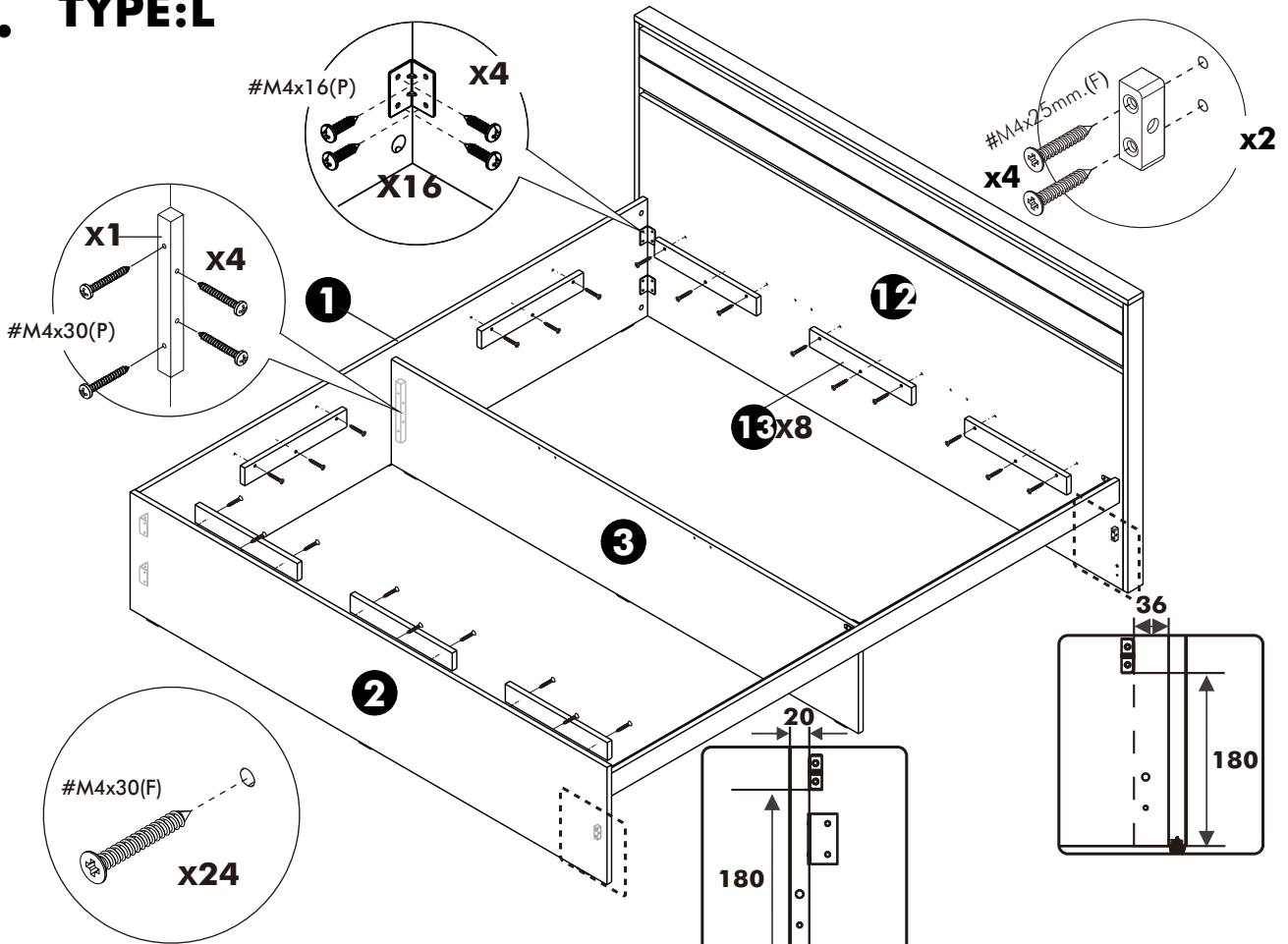


**3.**

**TYPE:L**

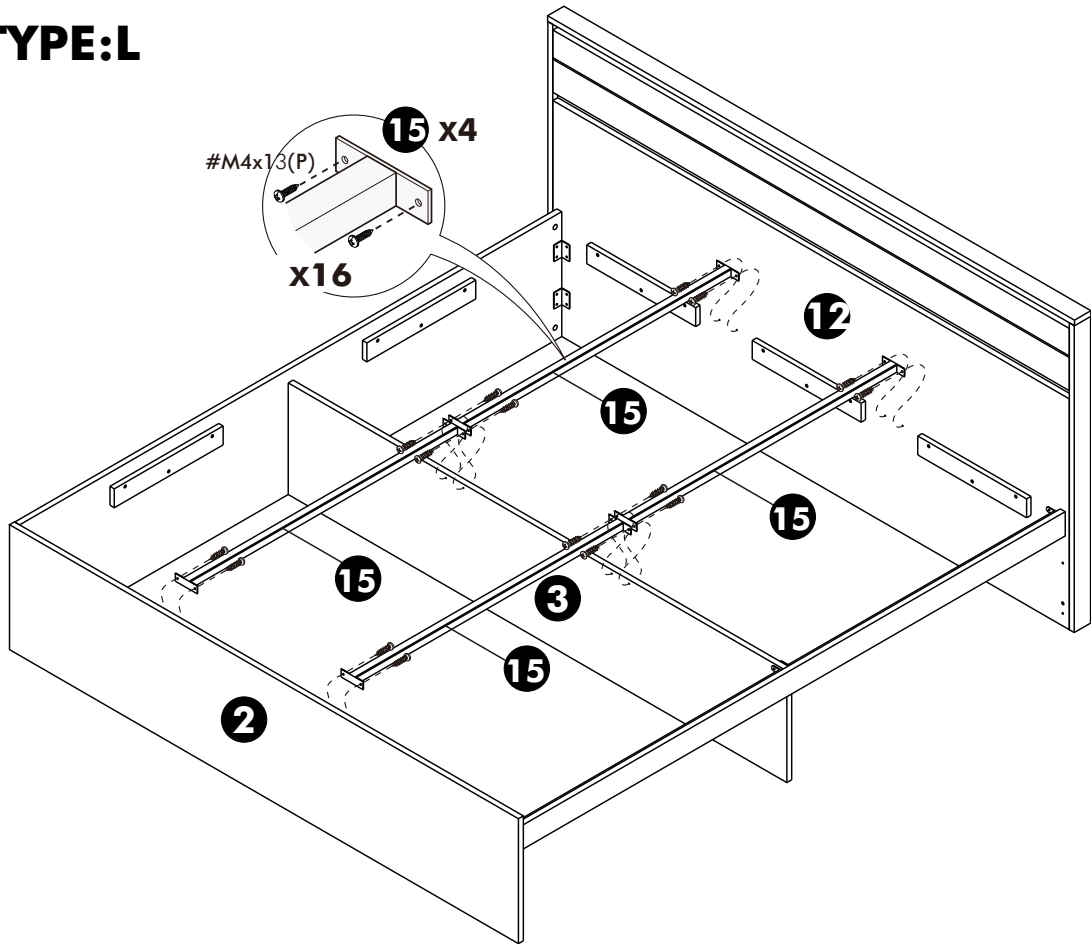


**4. TYPE:L**

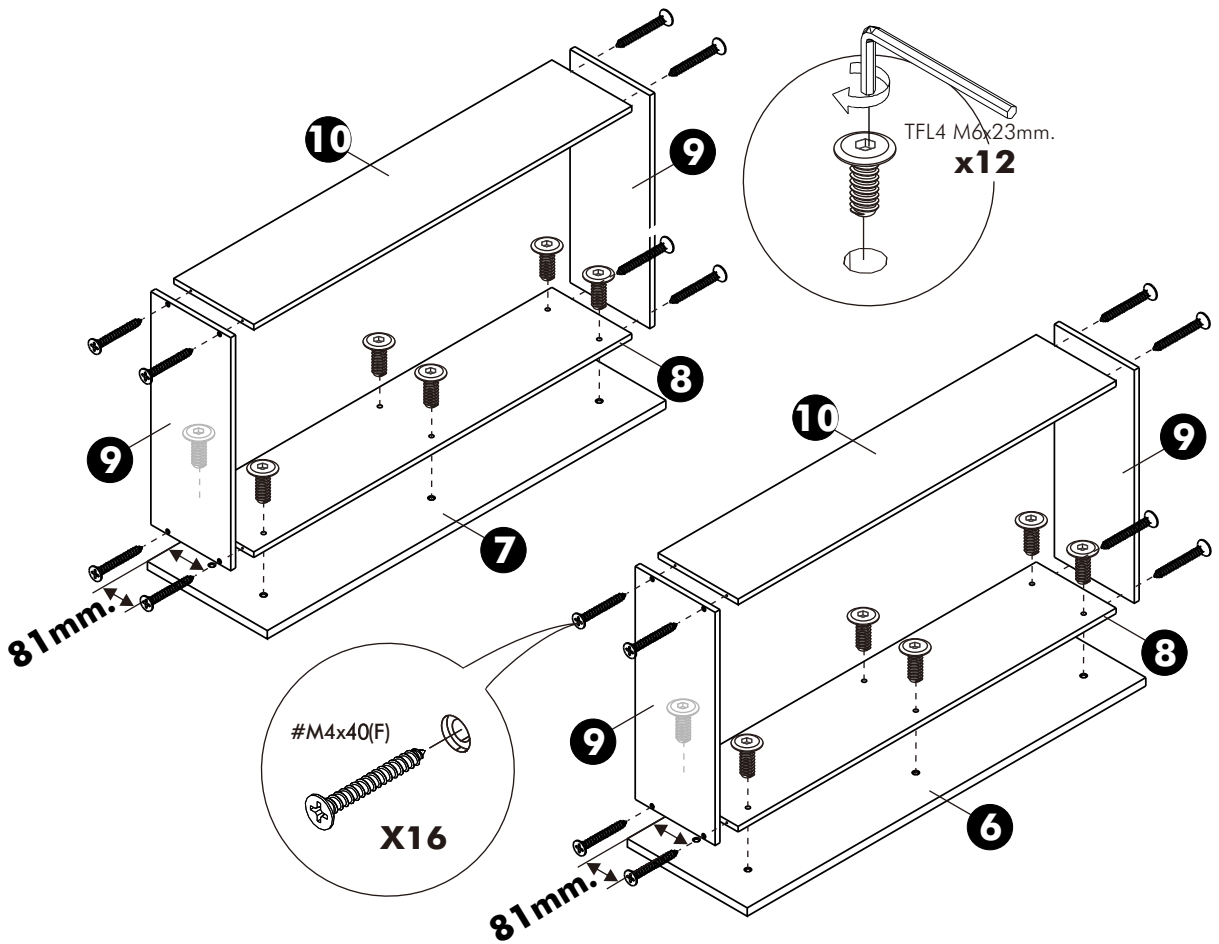


5.

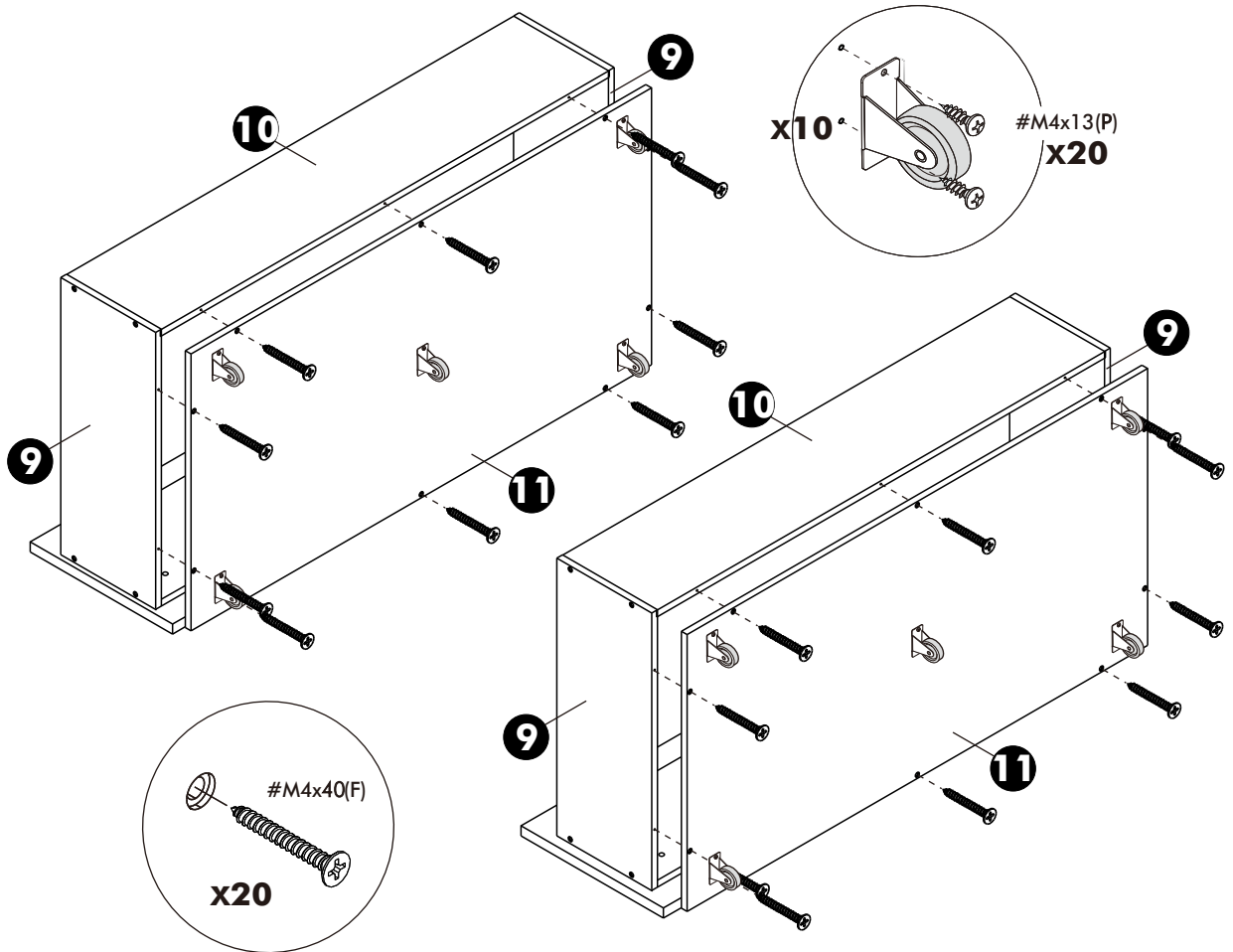
TYPE:L



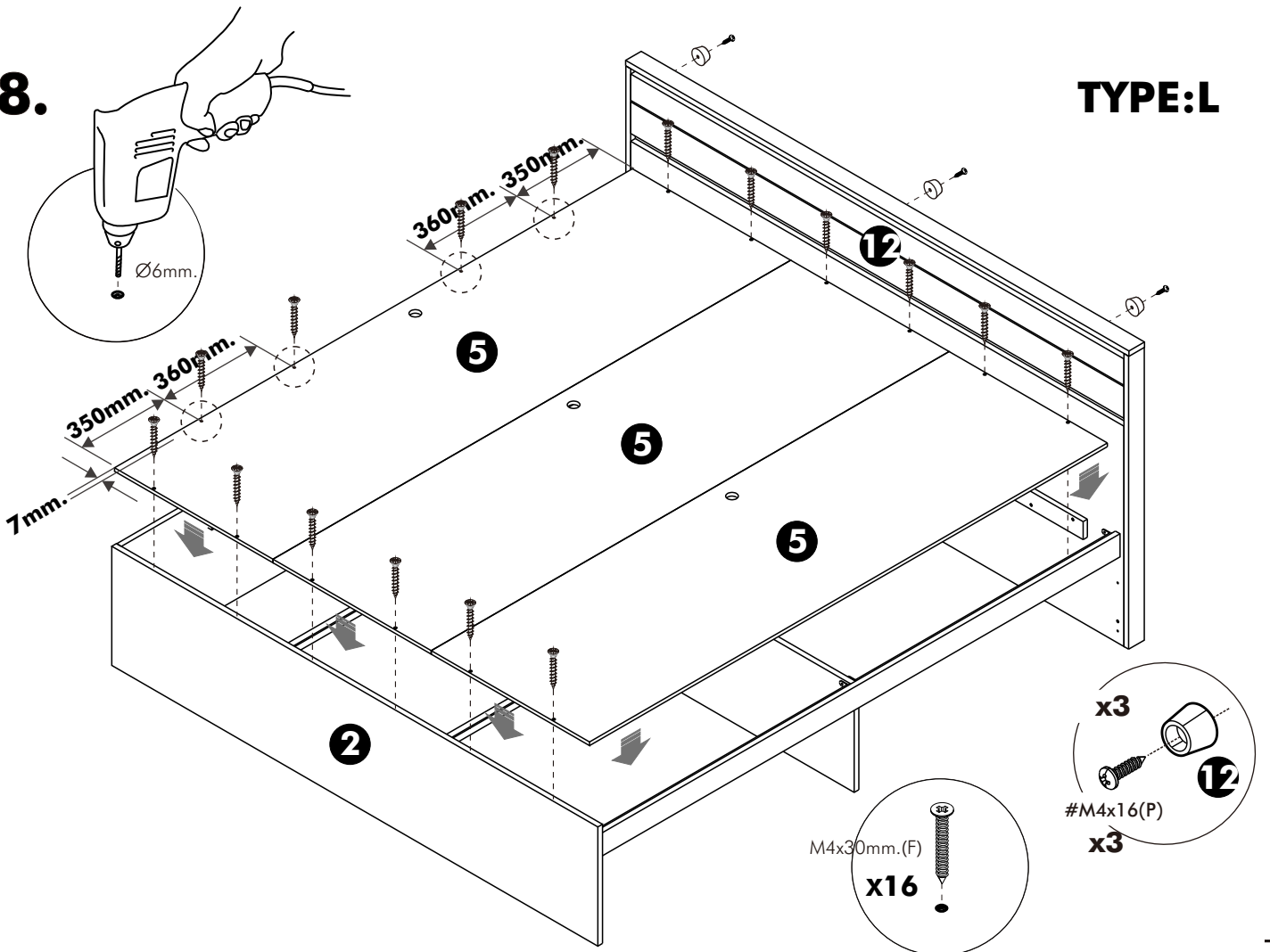
6.



7.

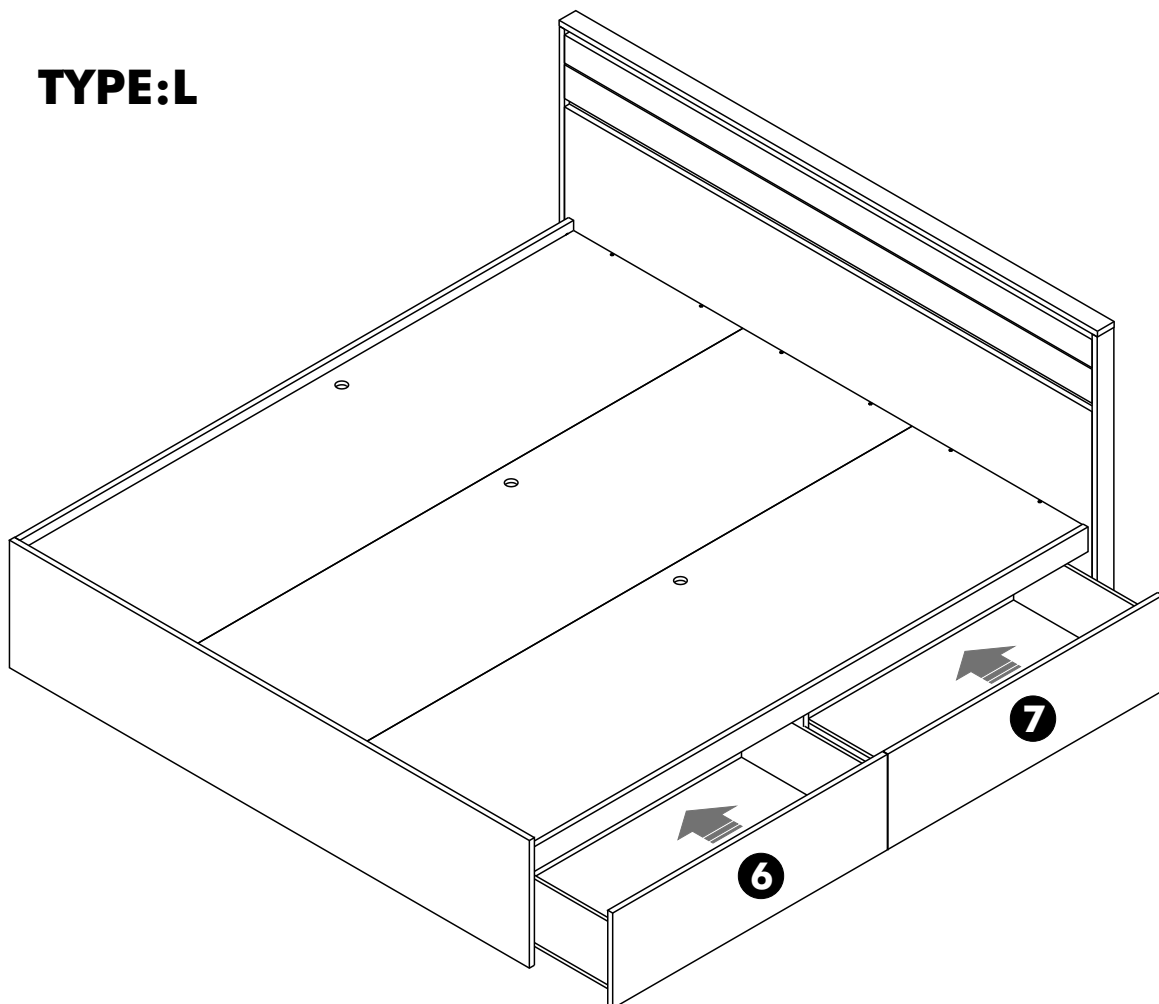


8.

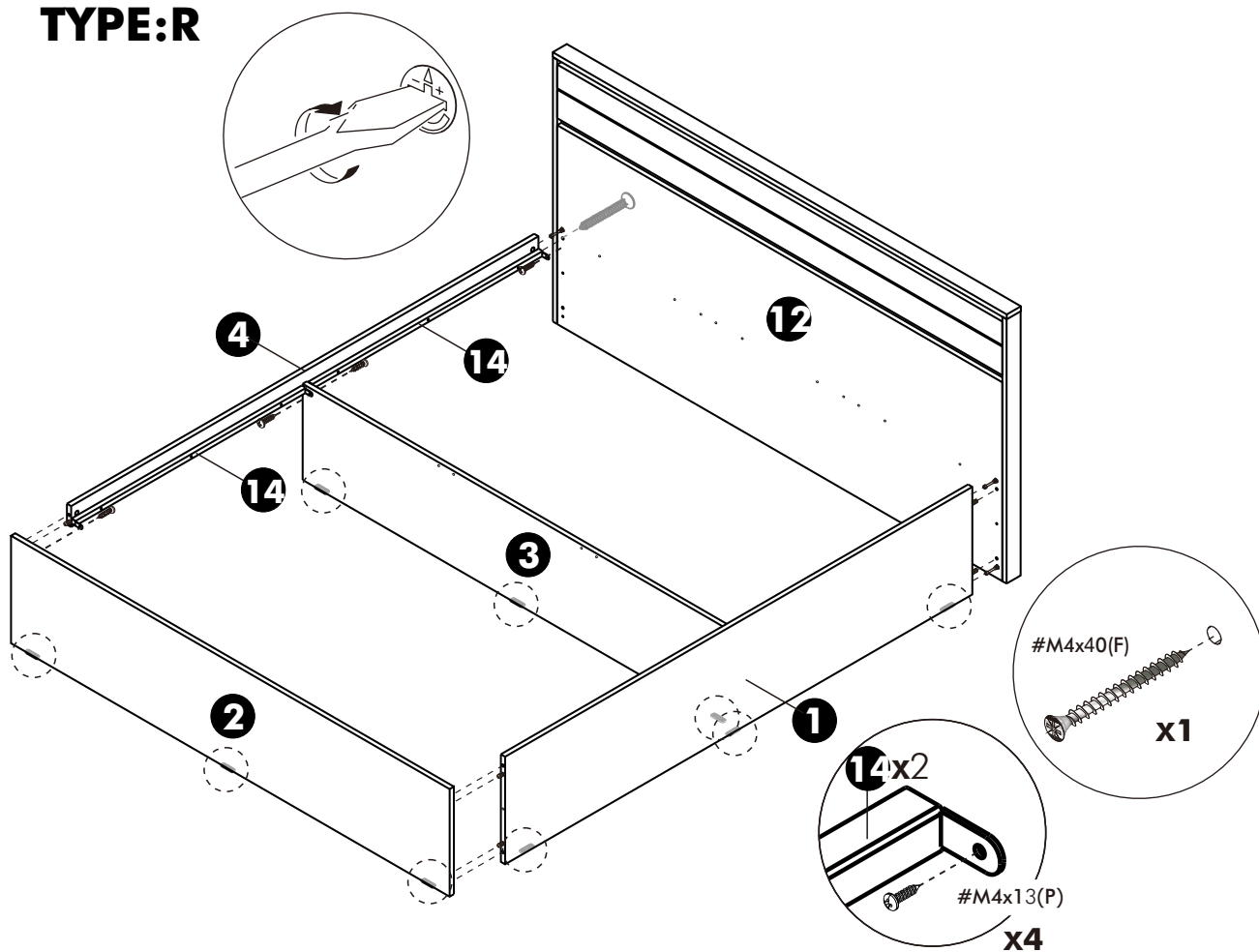


9.

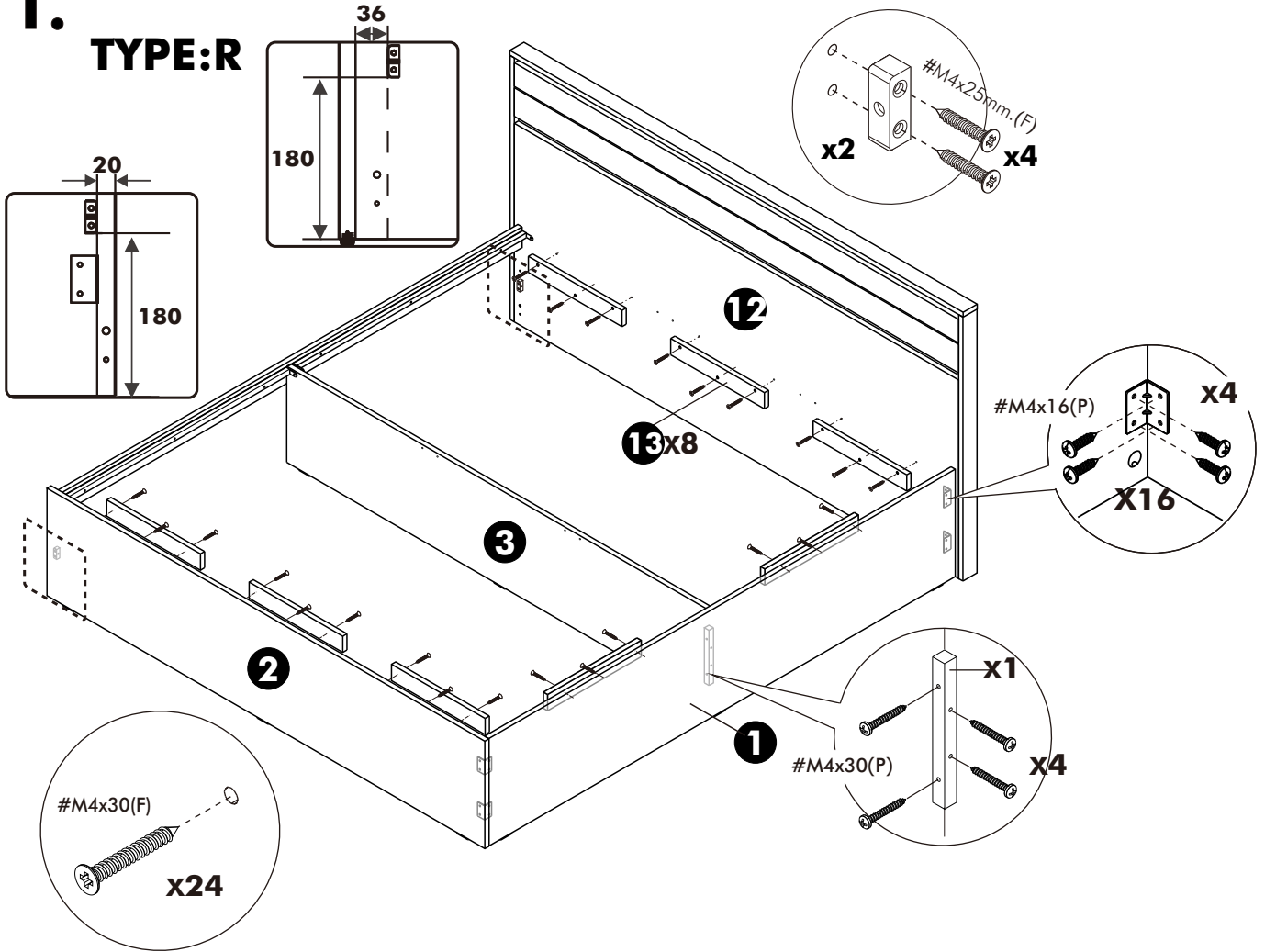
TYPE:L



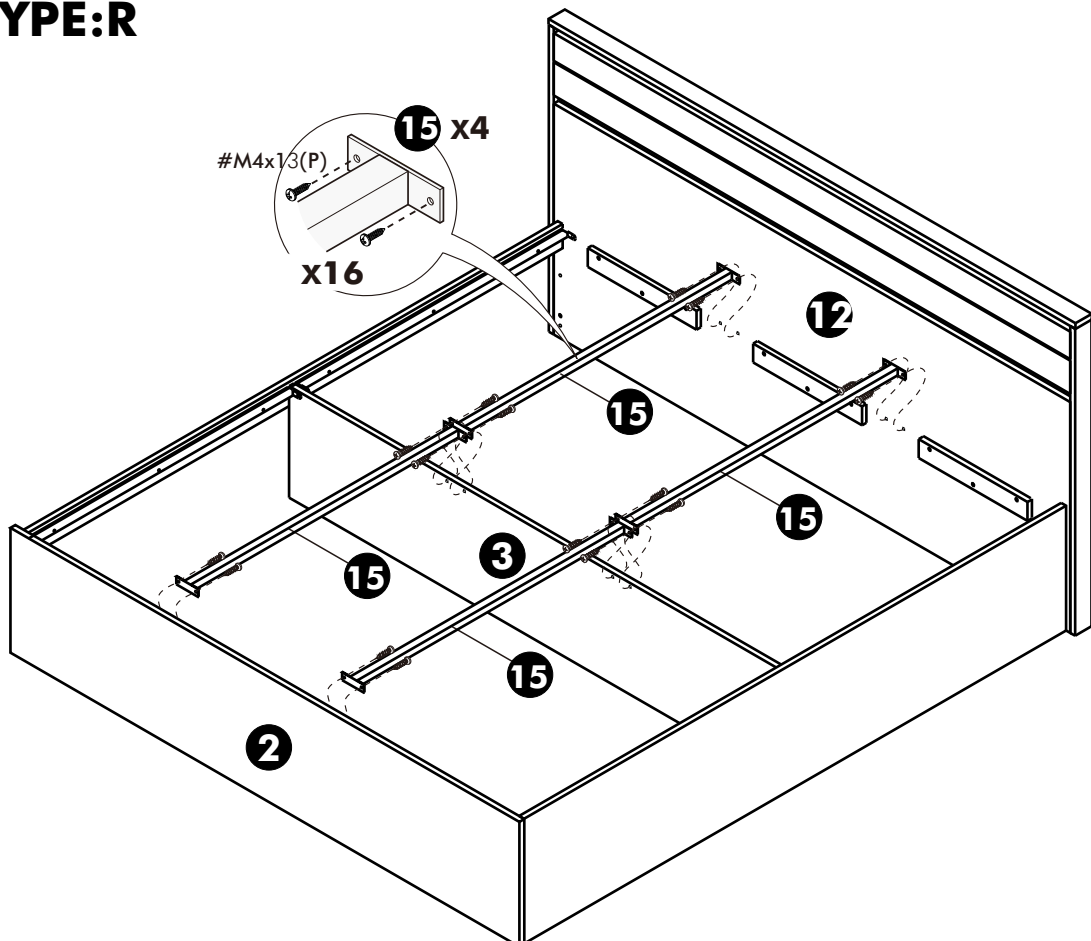
10. TYPE:R



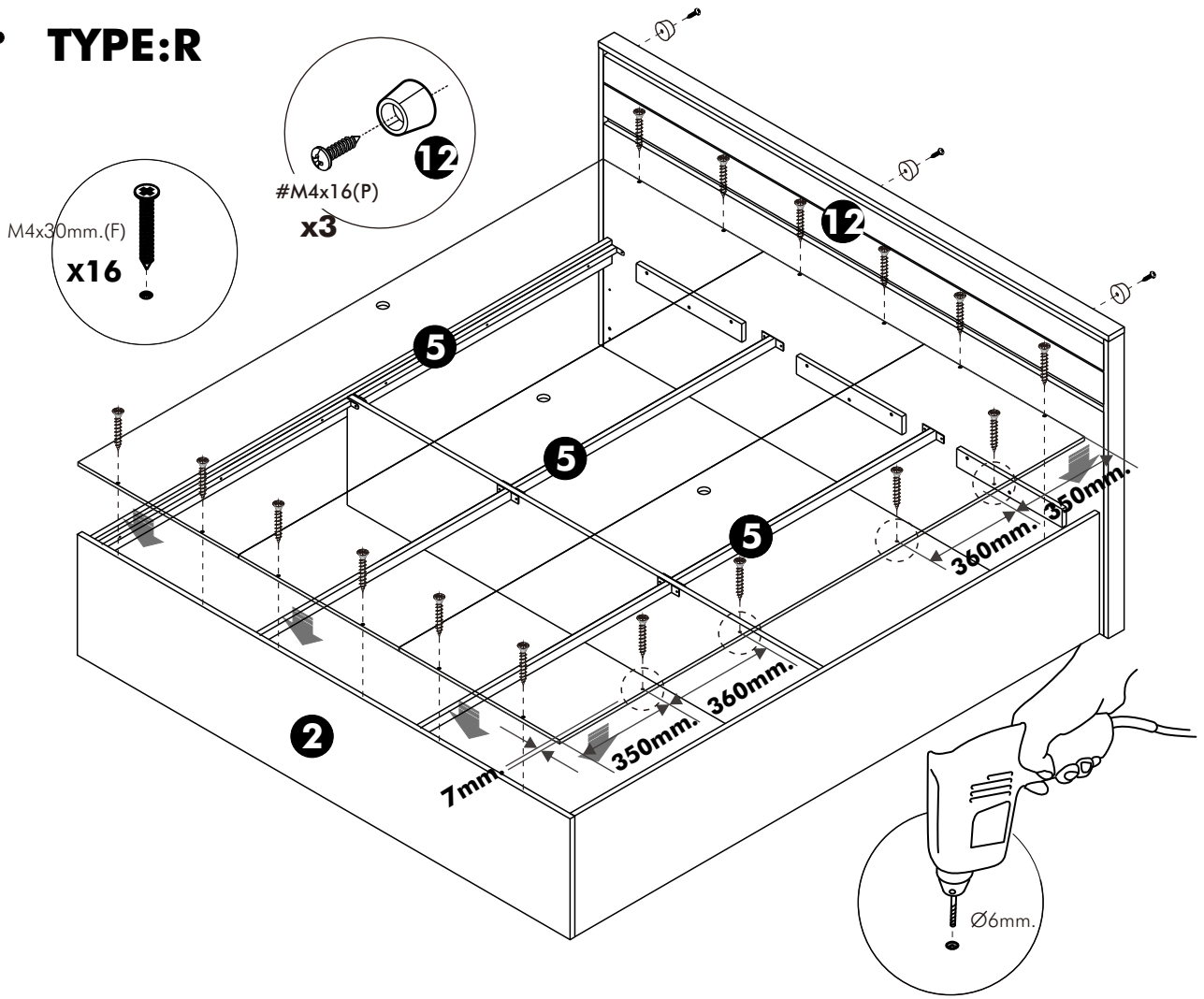
# 11. TYPE:R



# 12. TYPE:R



# 13. TYPE:R



# 14. TYPE:R

