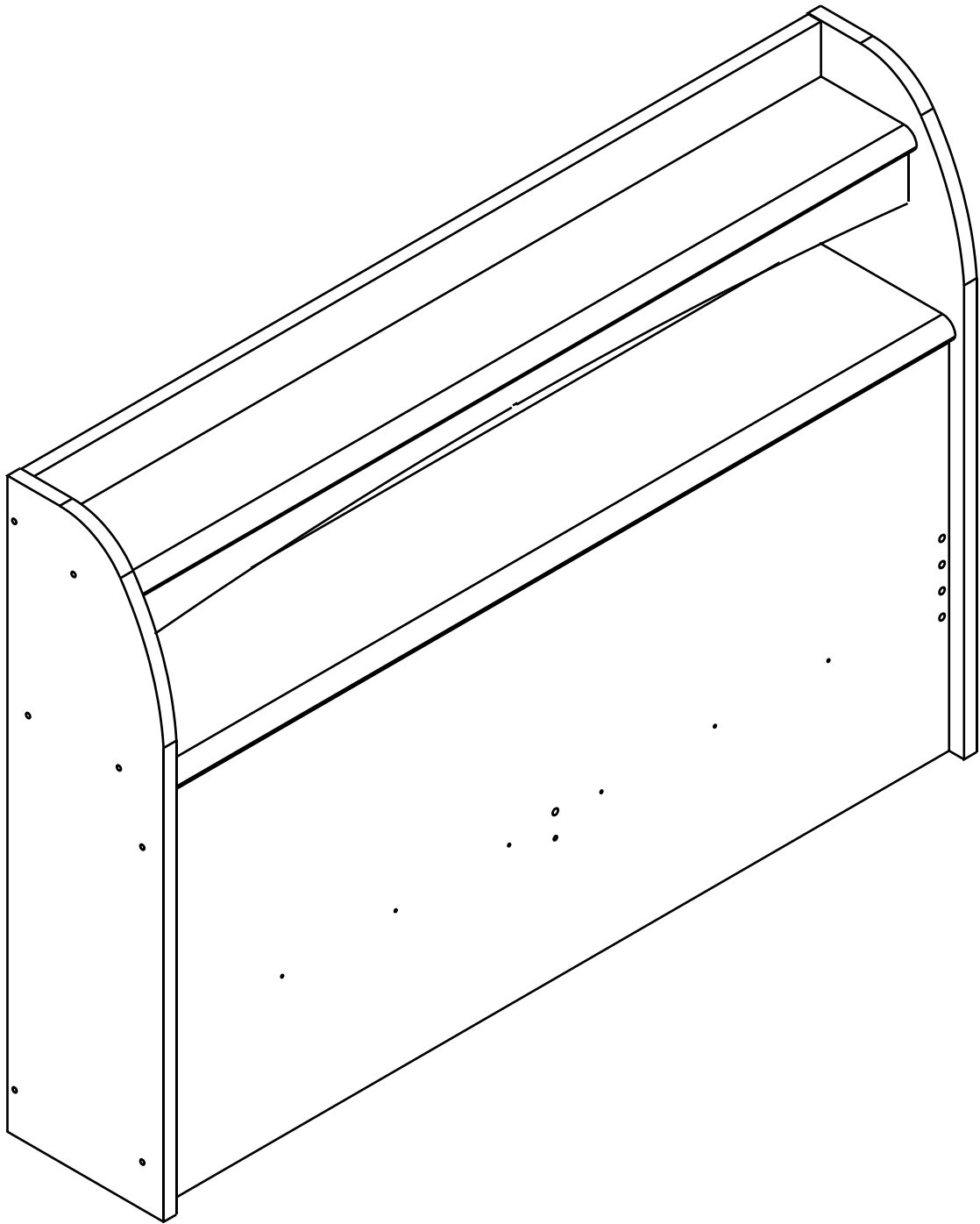
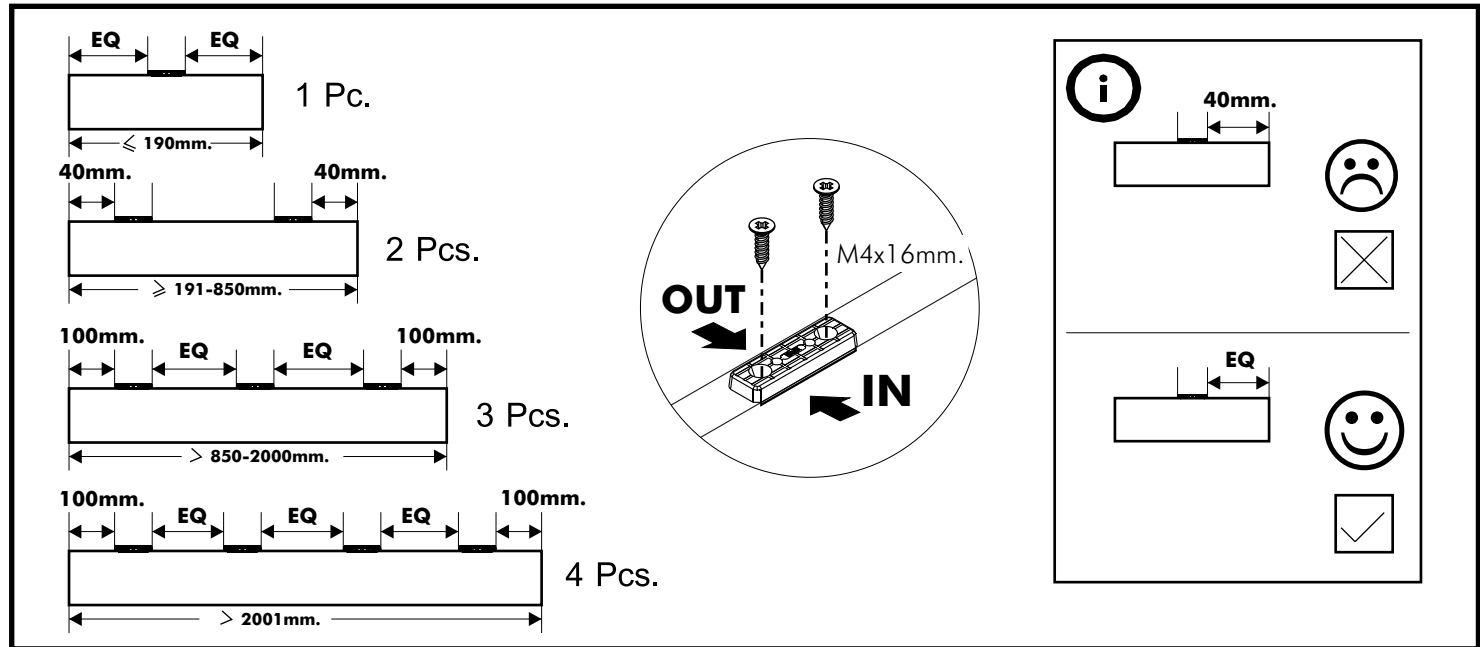
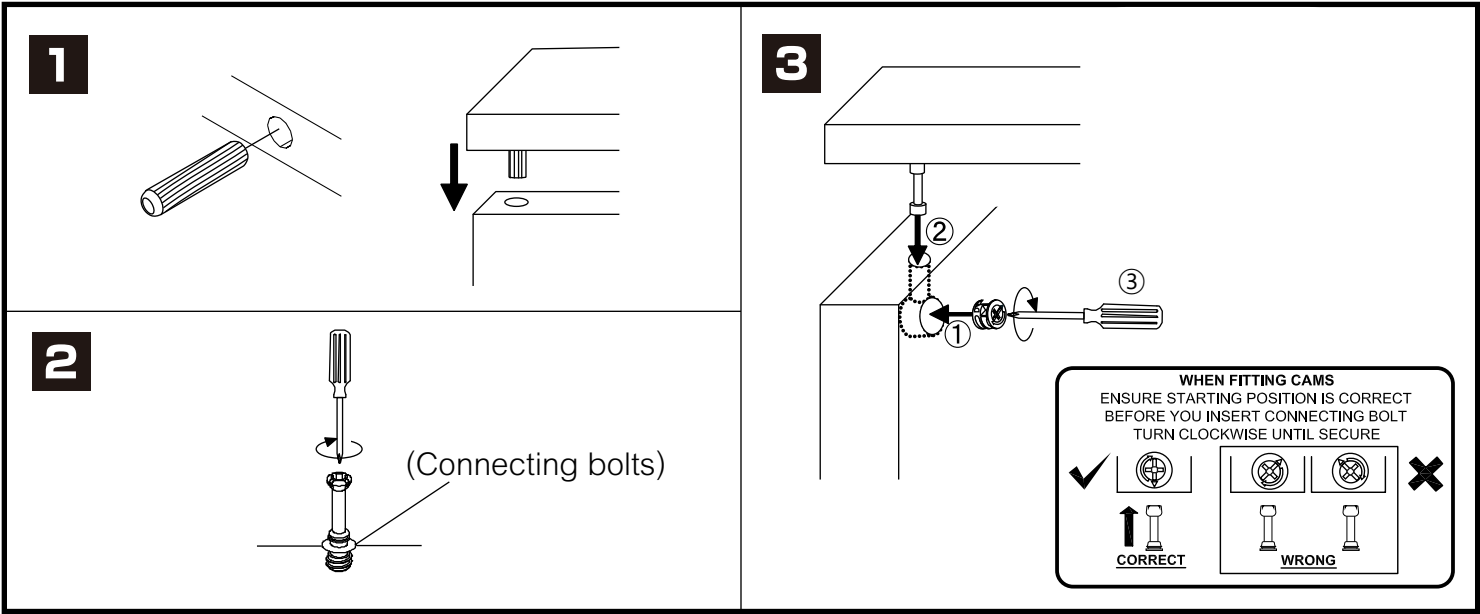


\$KINDER-P

Headboard 3.5ft.

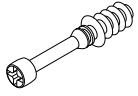


CONNECT SYSTEM



HARDWARE

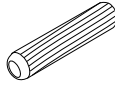
-BODY SET



x 3

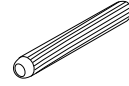


x 3



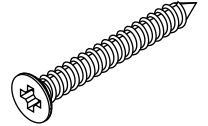
8x35mm.

x 12



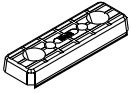
6x35mm.

x 8



M4x40mm.

x 17



x 9



No.1

x 2



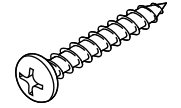
M3.5x16mm.

x 2



M4x16mm.

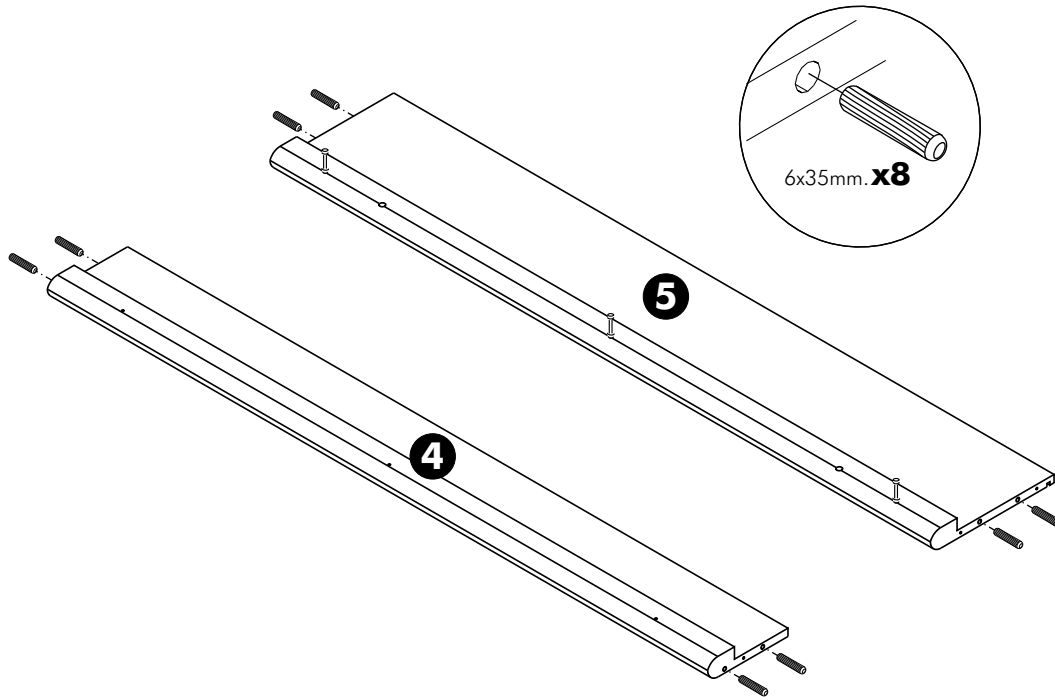
x 18



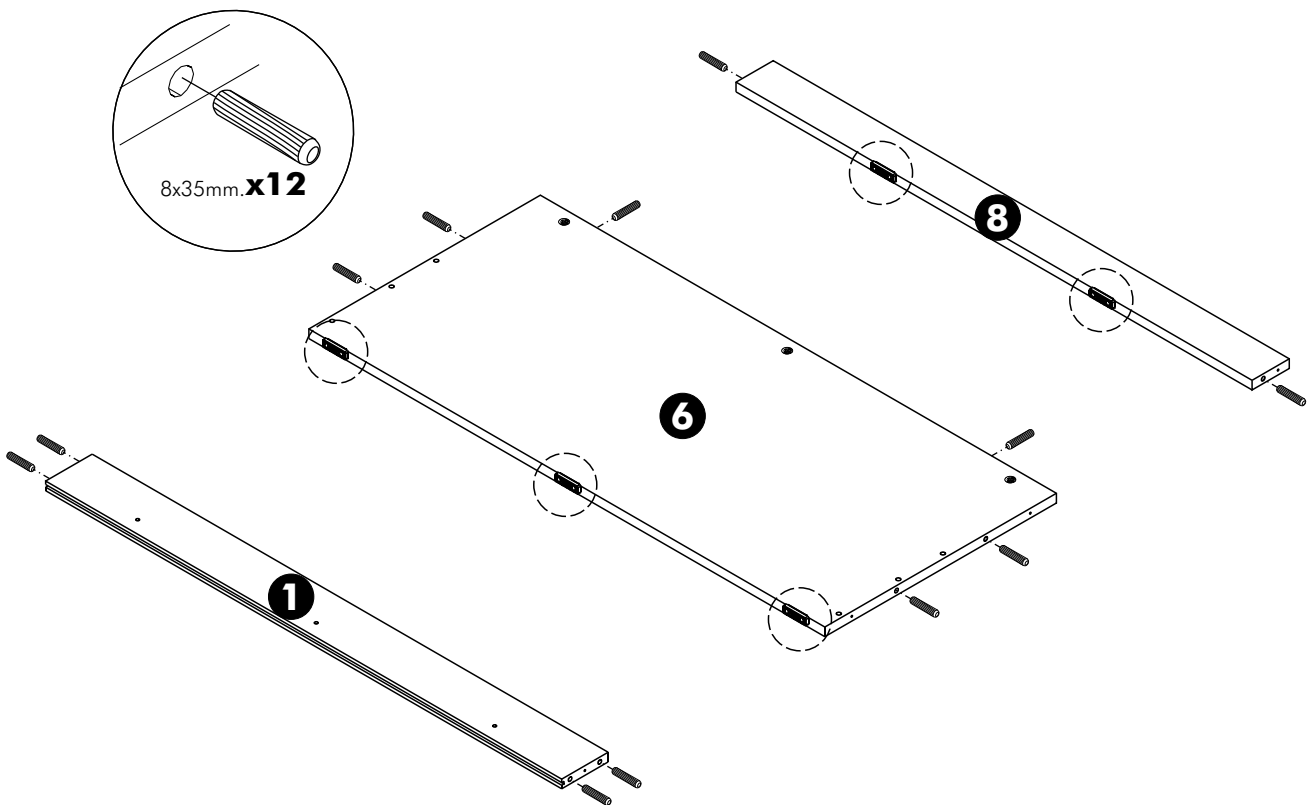
M4x30mm.

x 3

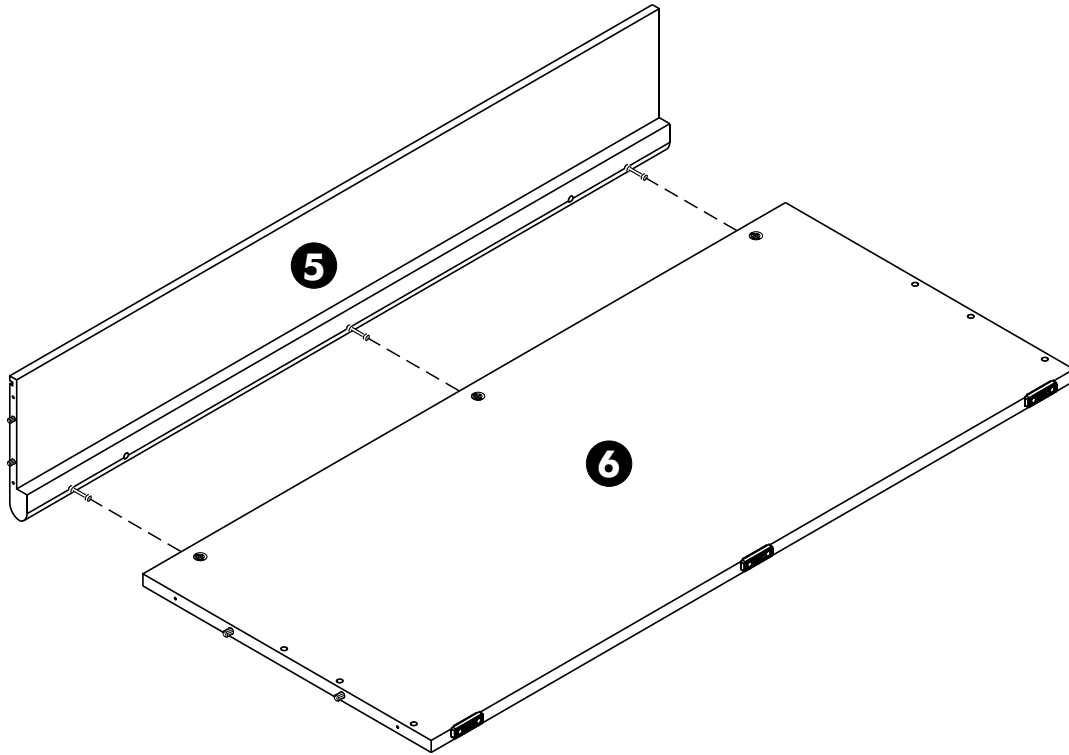
1.



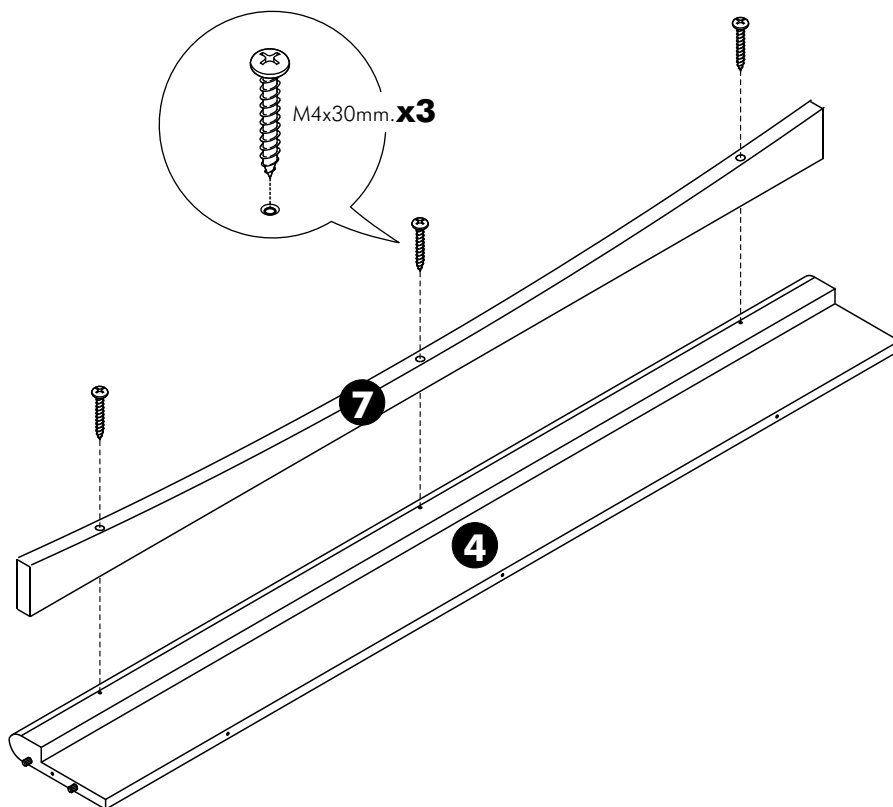
2.



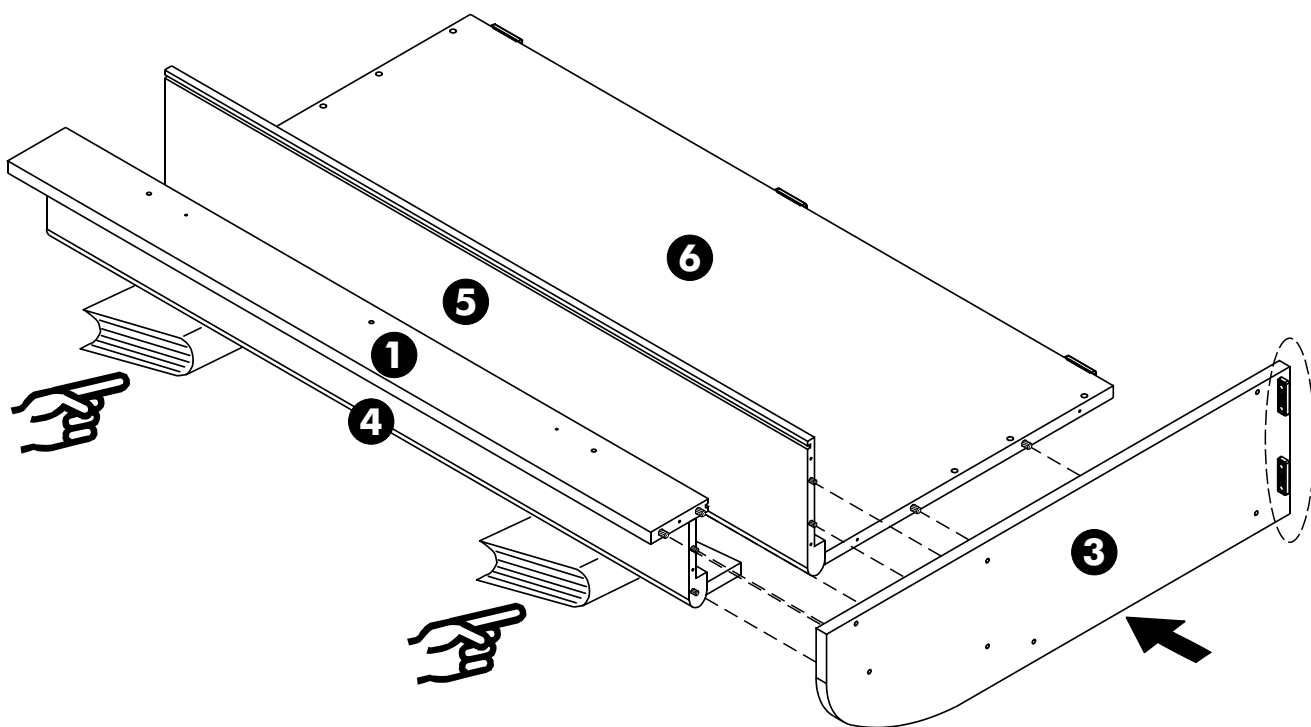
3.



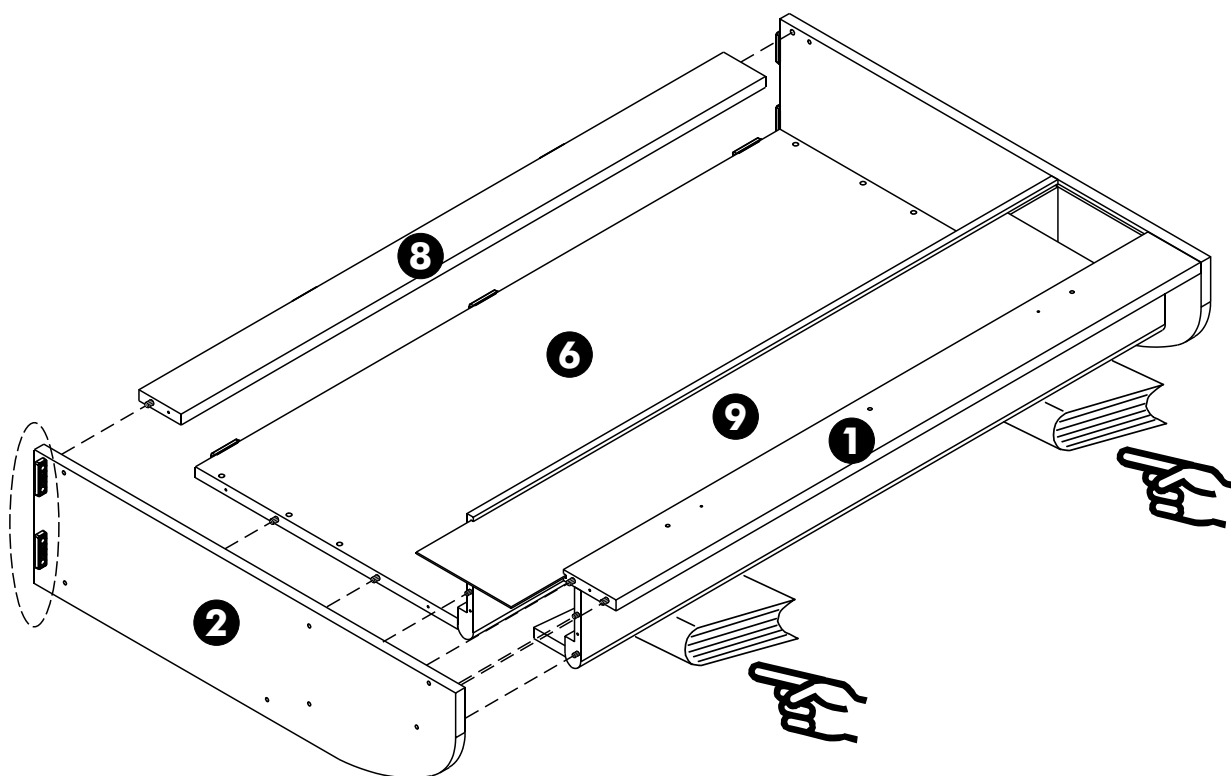
4.



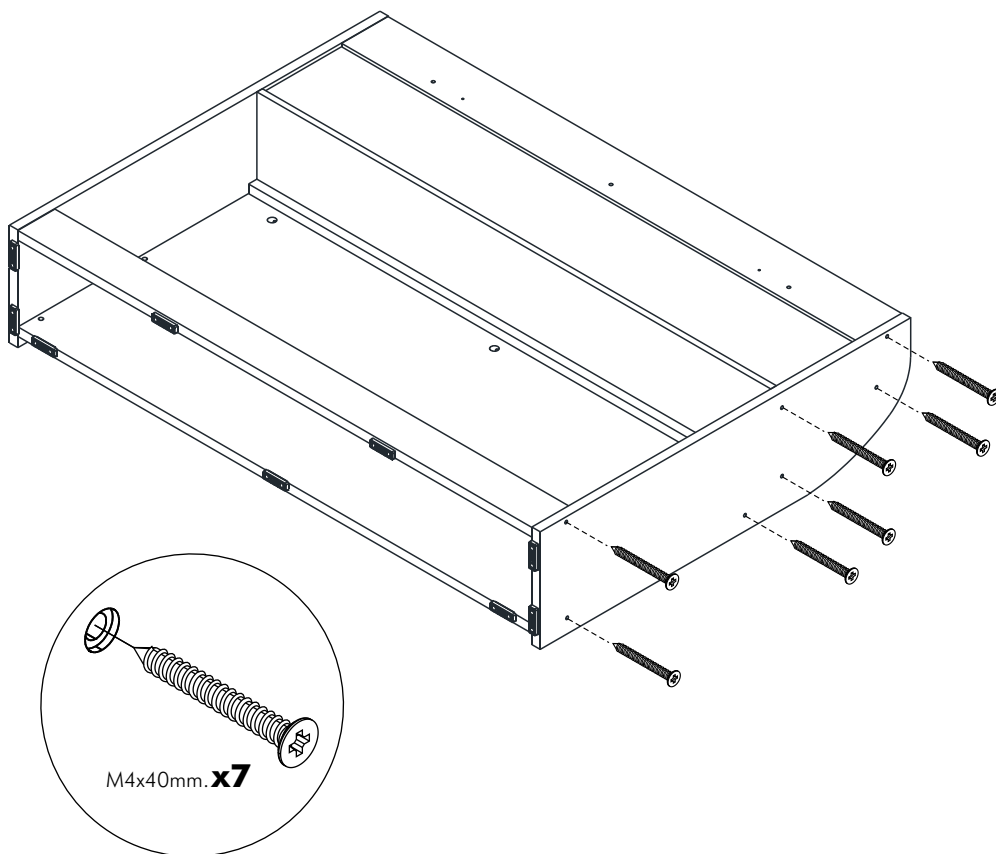
5.



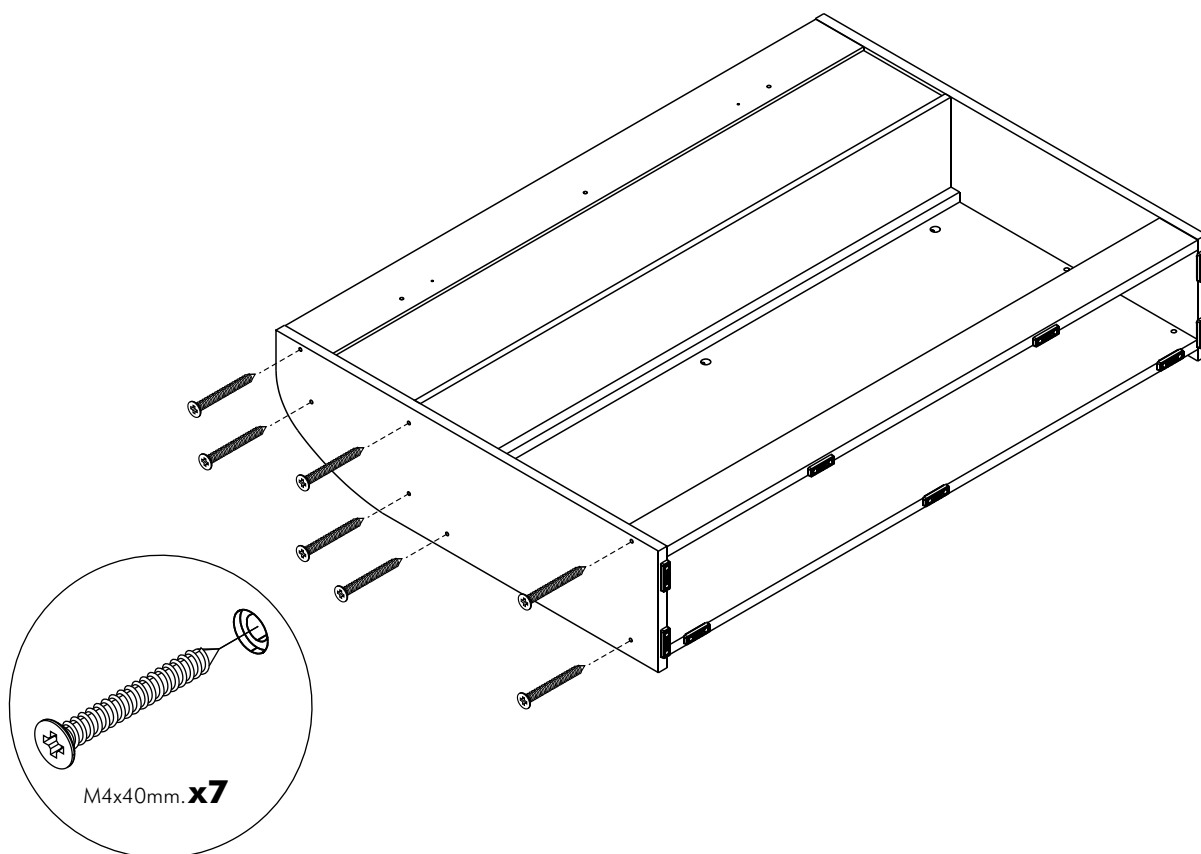
6.



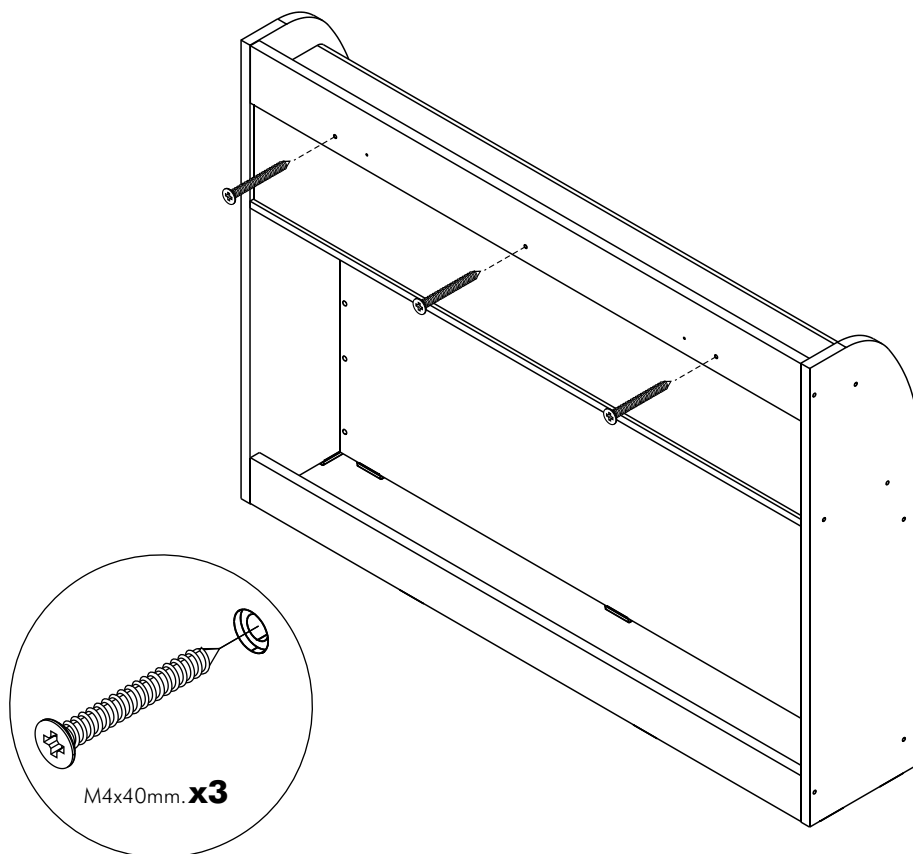
7.



8.



9.



10.

