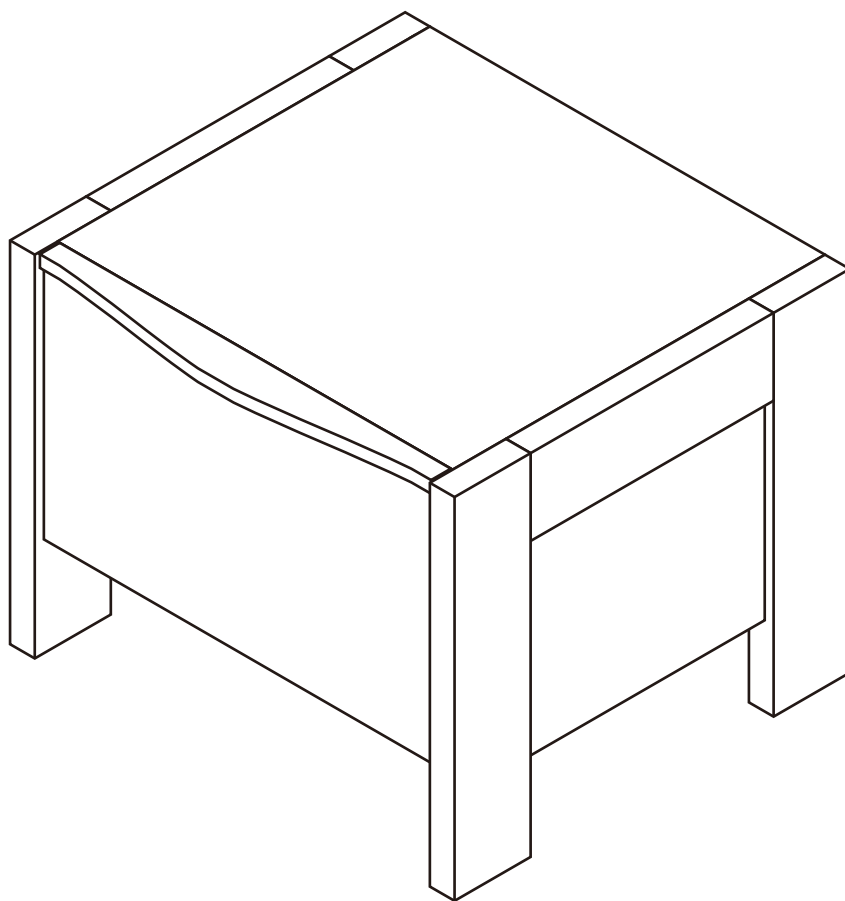
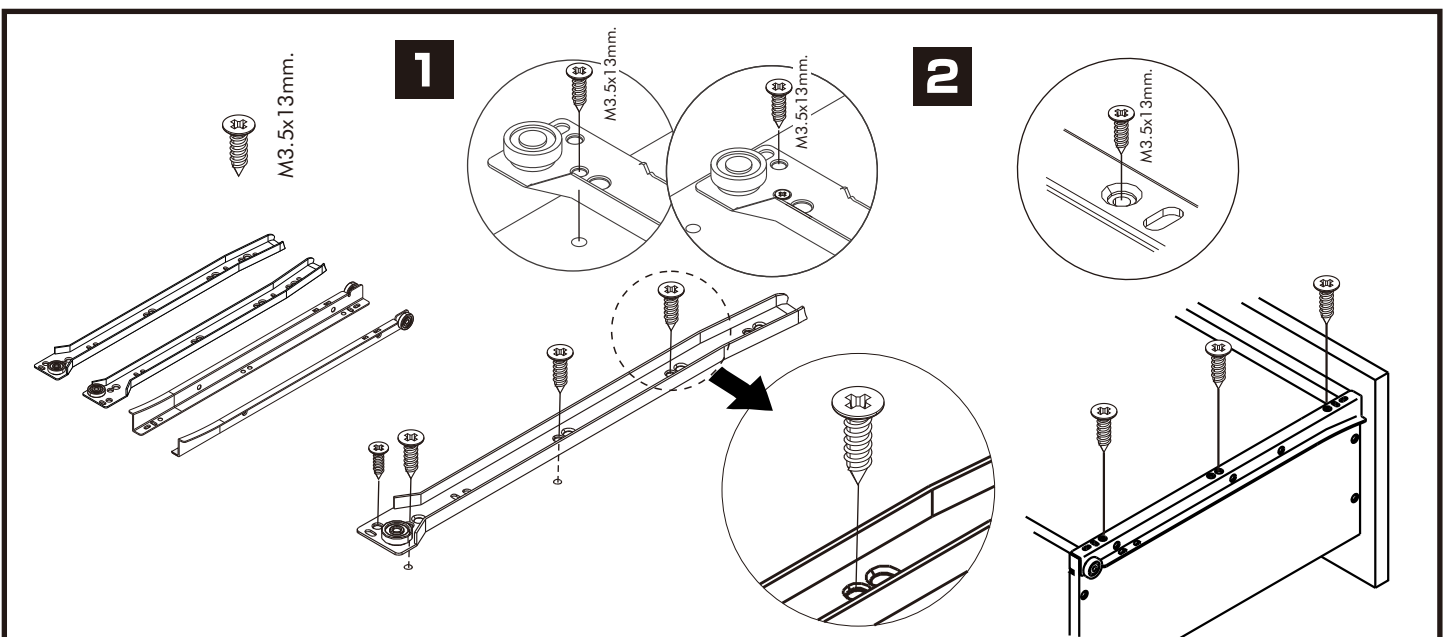
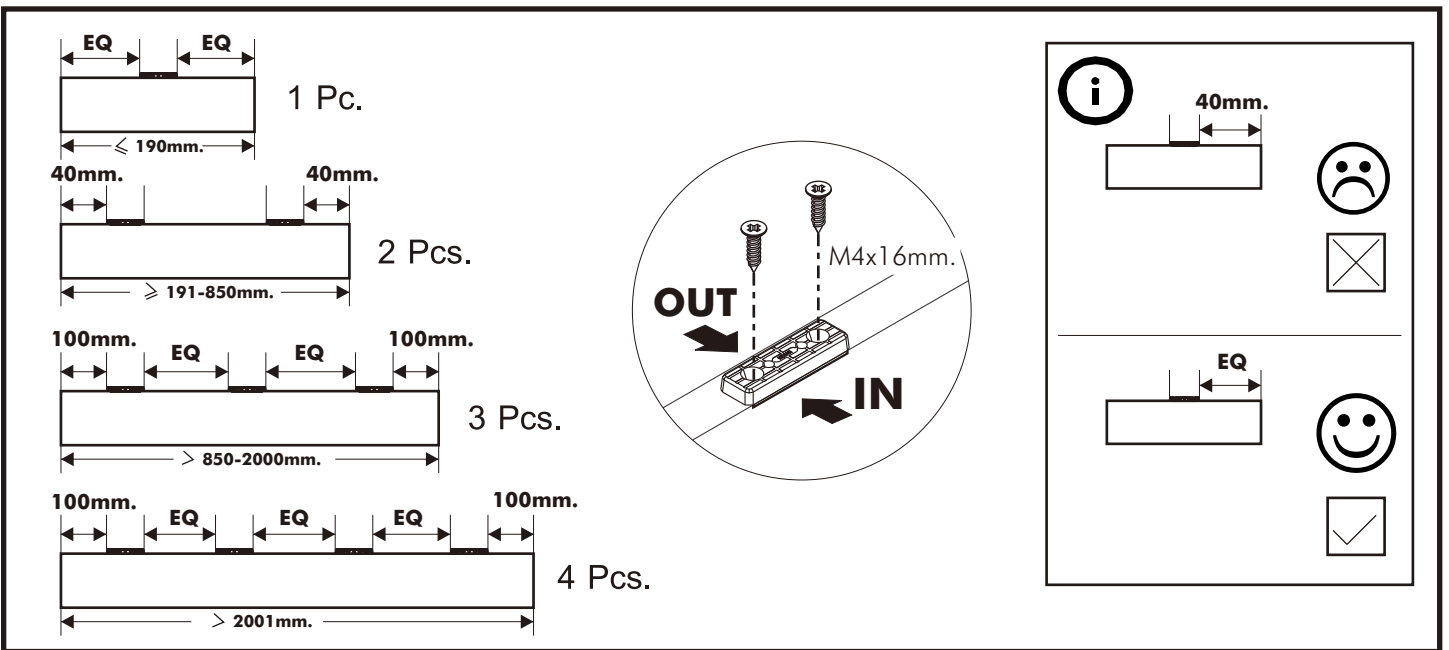
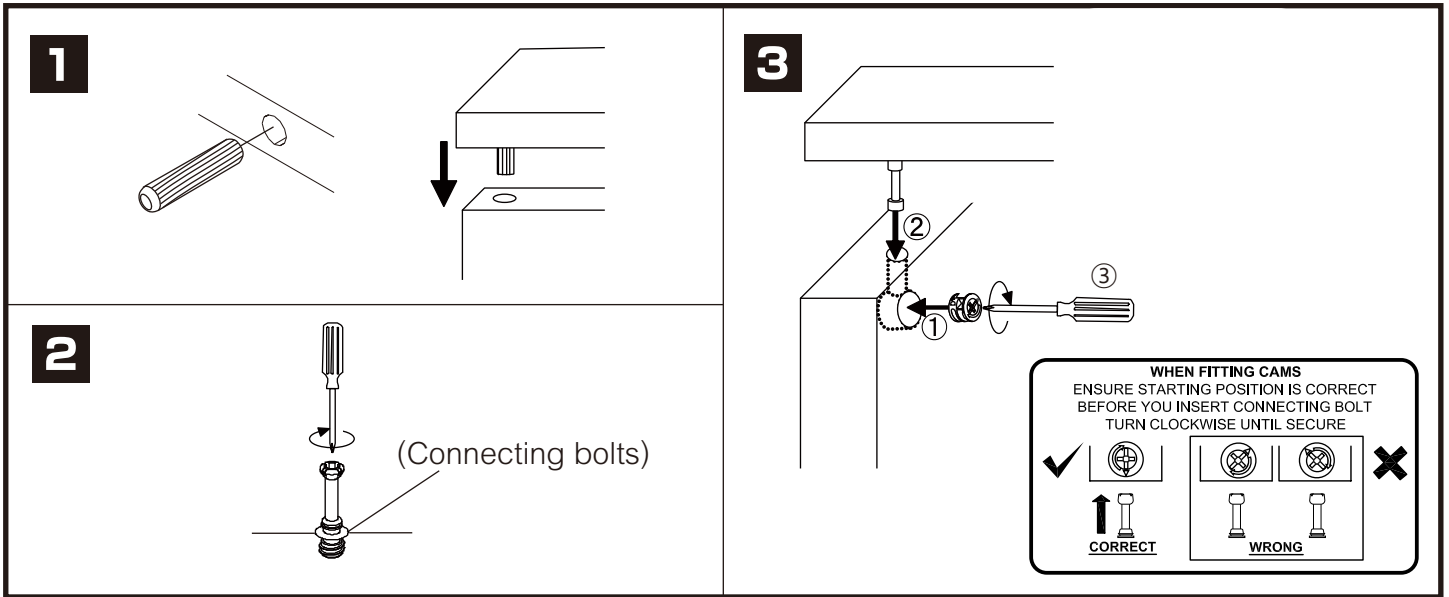


# STOCKHOLM-P

Night table 1 drawer

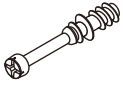


# CONNECT SYSTEM



# HARDWARE

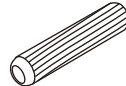
## -BODY SET



**x 10**



**x 10**



(8x35)

**x 10**



M4x16mm.

**x 2**



**x 2**



M4x20mm.

**x 2**



**x 1SET**



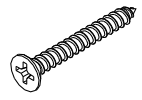
M6x23

**x 4**



M3.5x13mm.

**x 14**

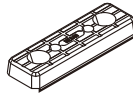


M4x40mm.

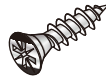
**x 10**



**x 1**



**x 4**



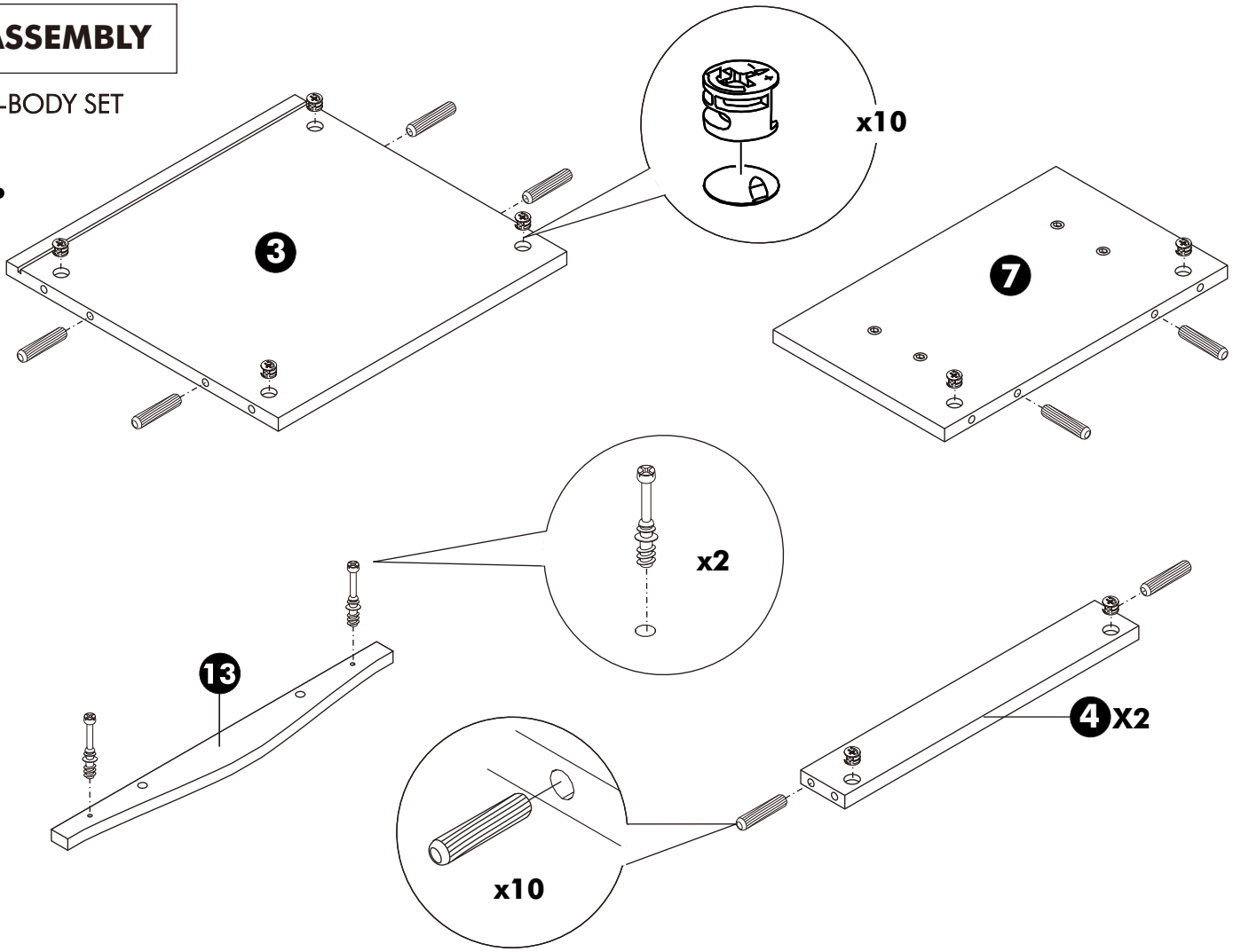
M4x16mm.

**x 8**

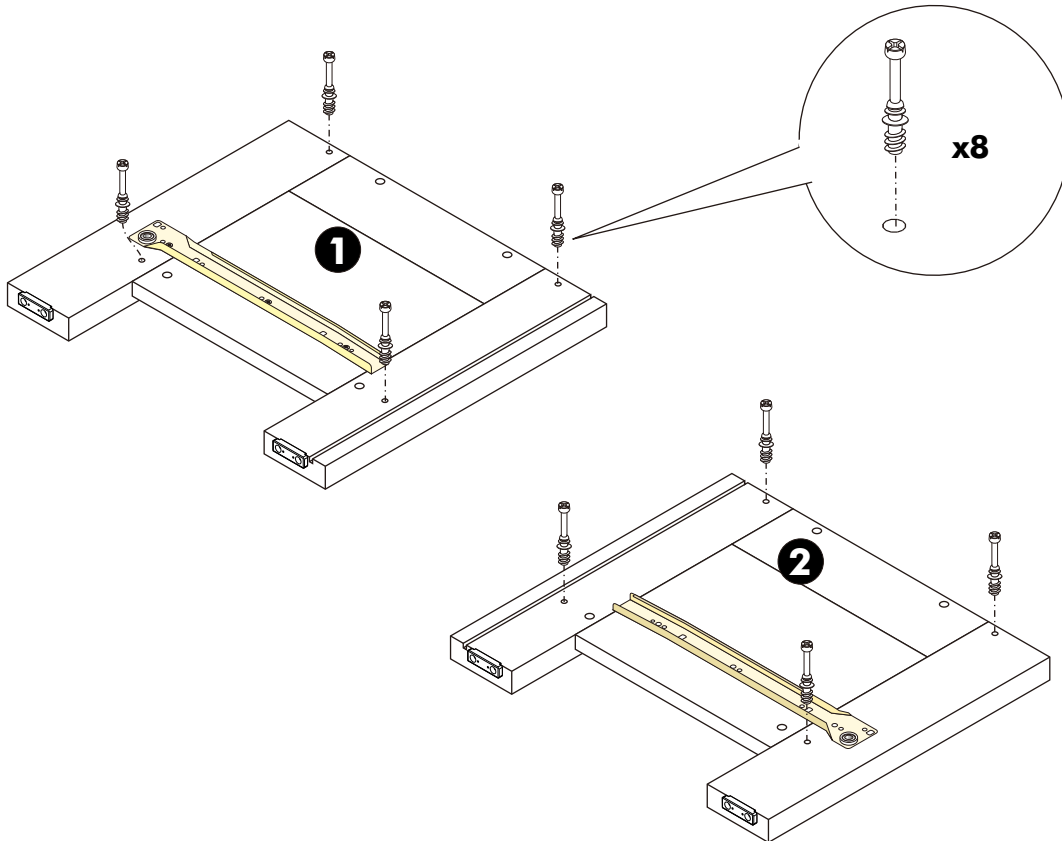
# ASSEMBLY

-BODY SET

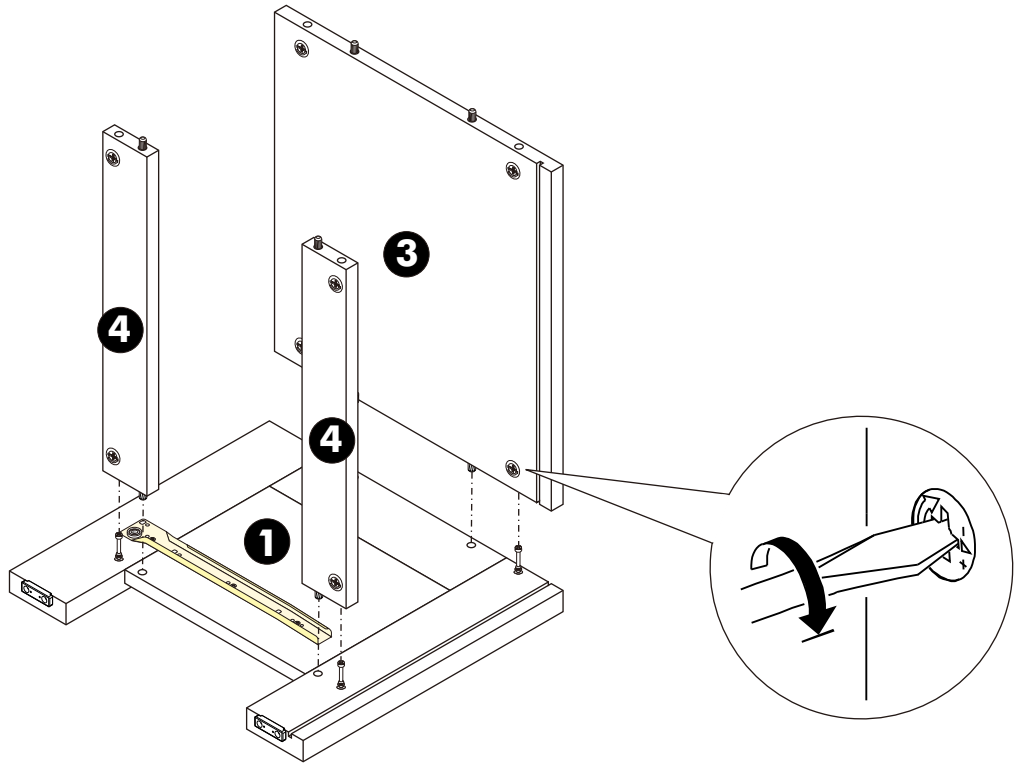
1.



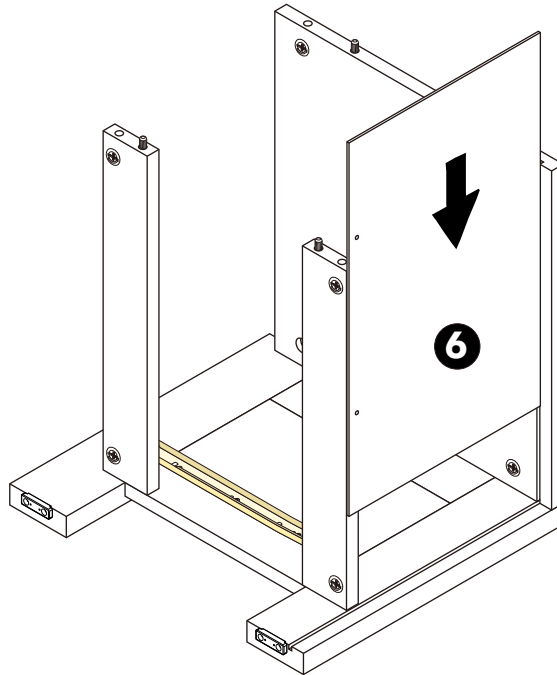
2.



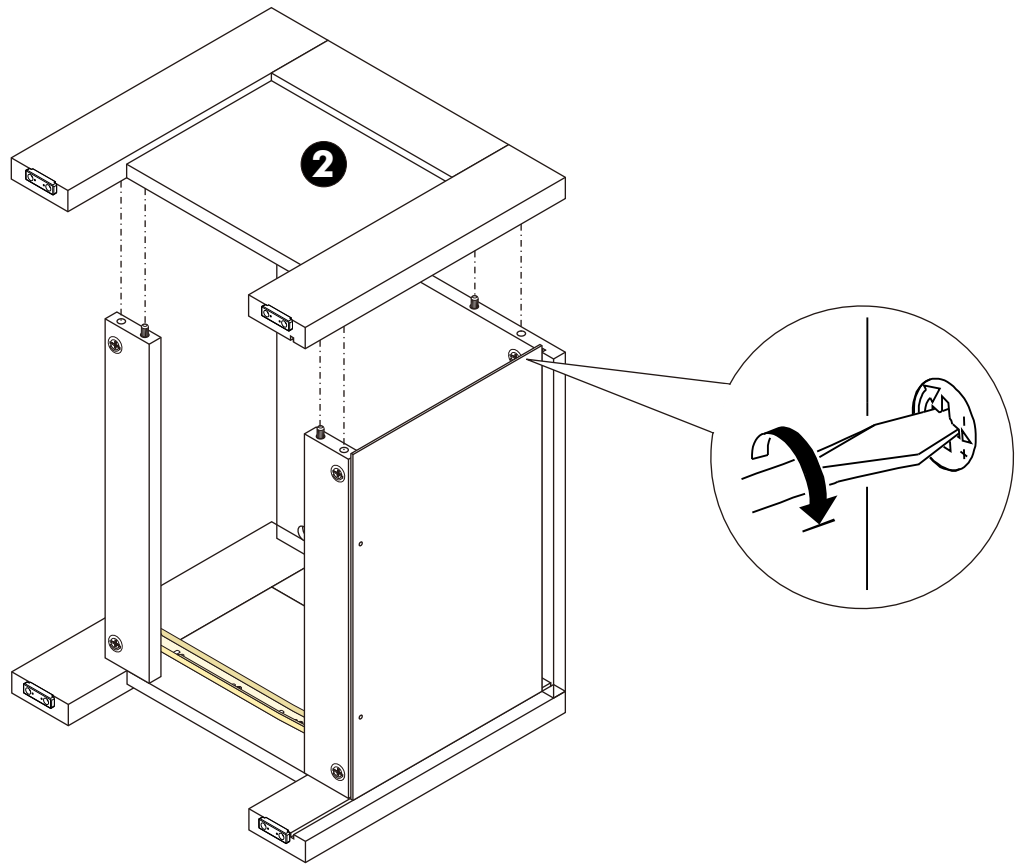
**3.**



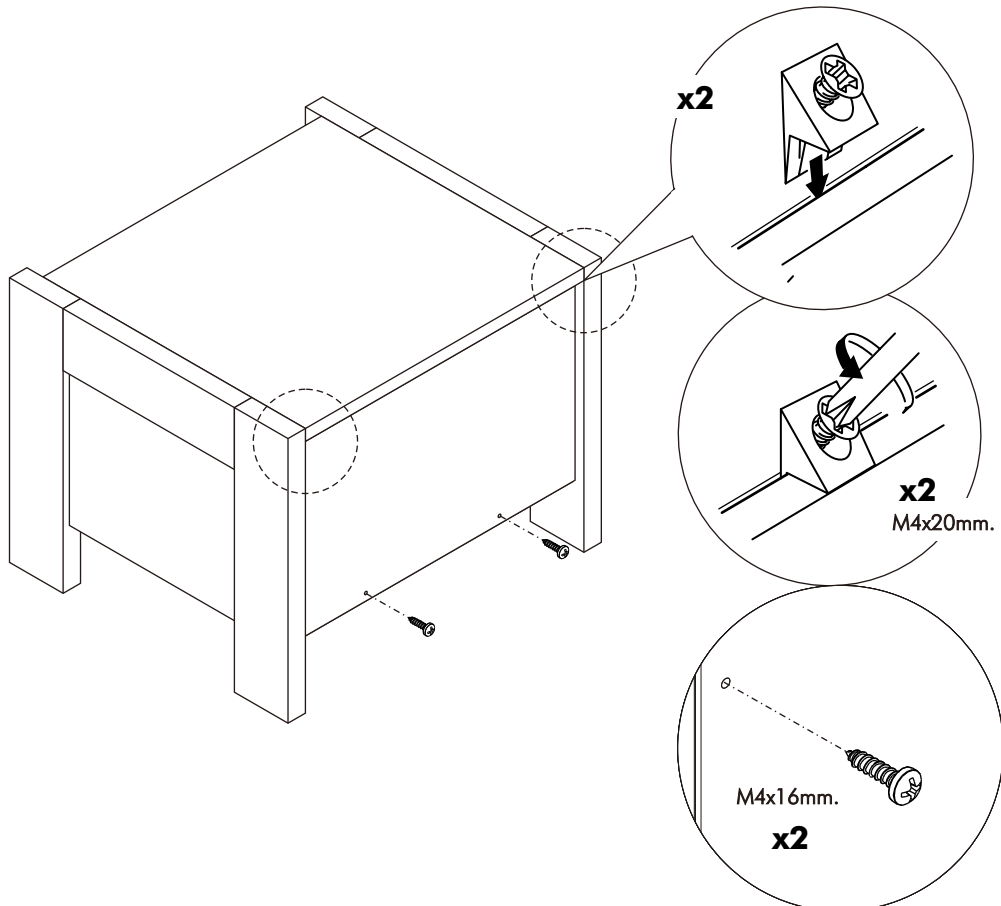
**4.**



**5.**



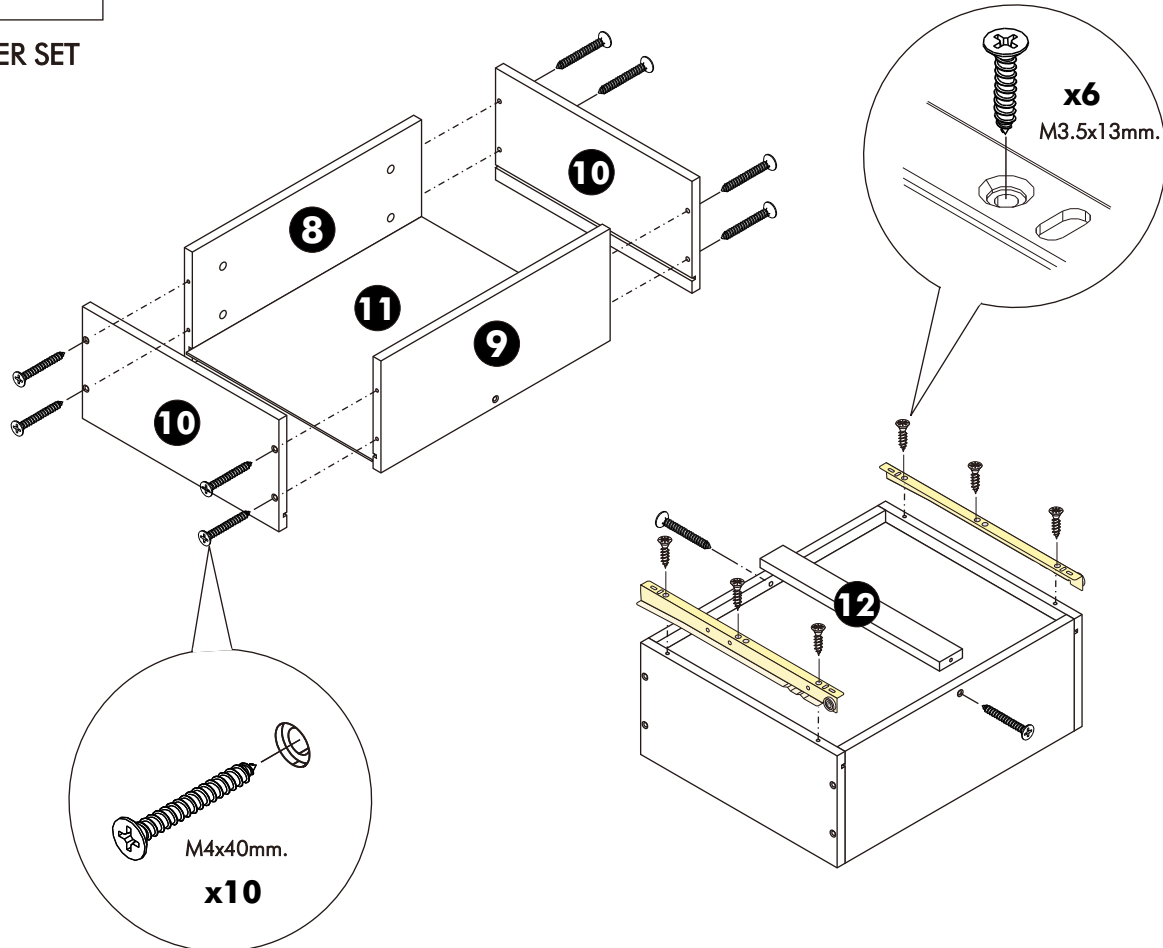
**6.**



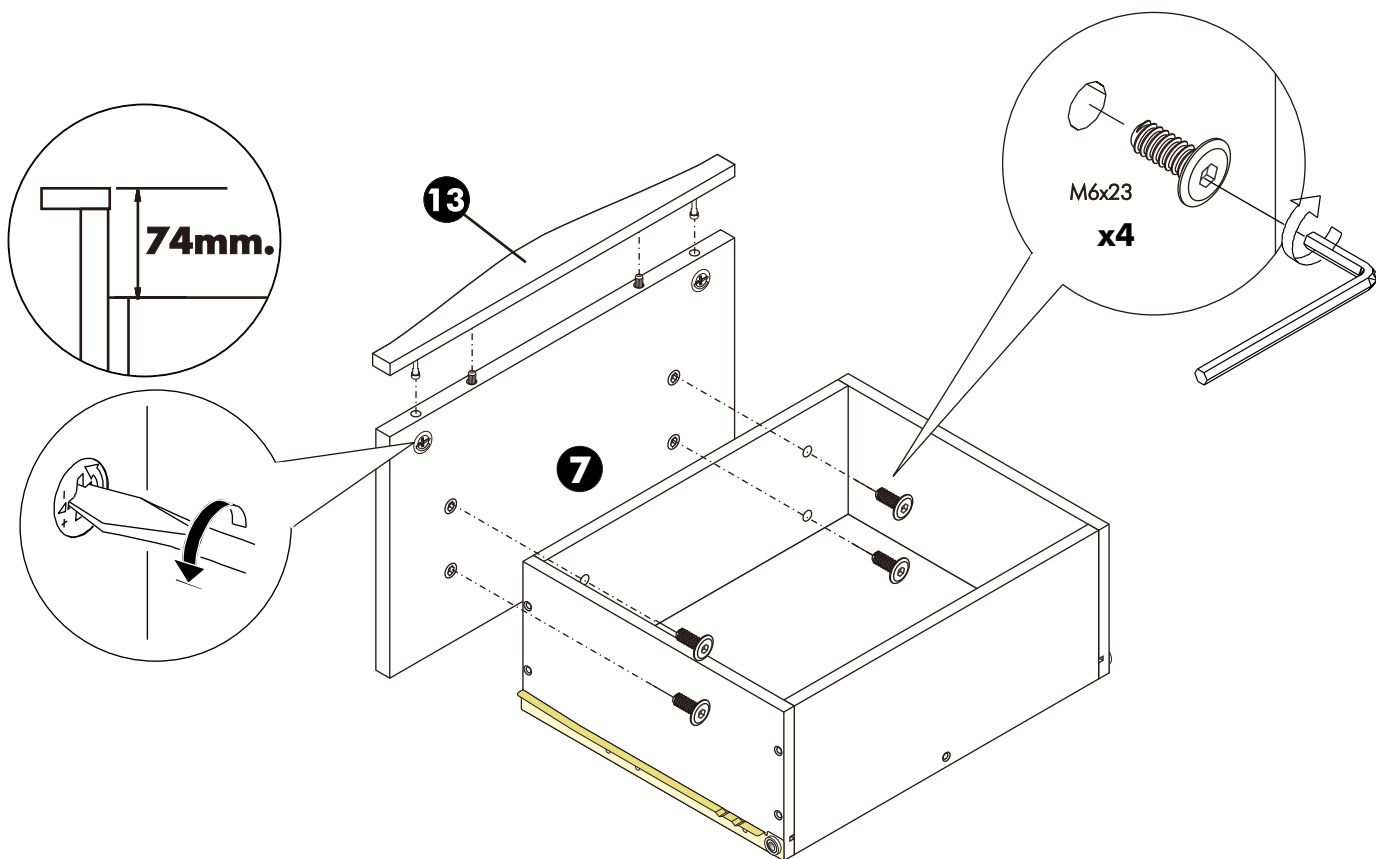
# ASSEMBLY

-DRAWER SET

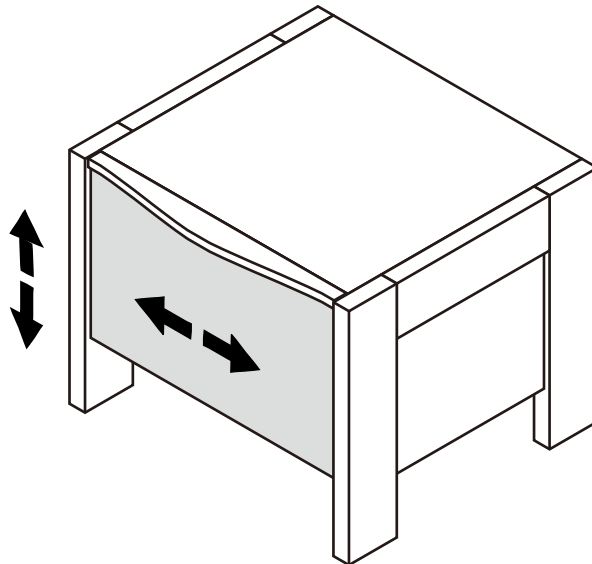
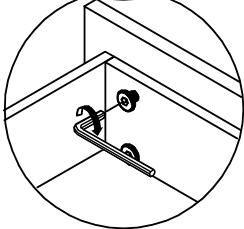
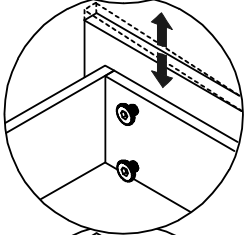
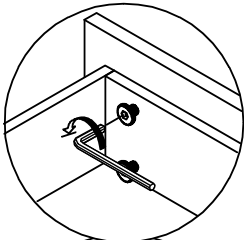
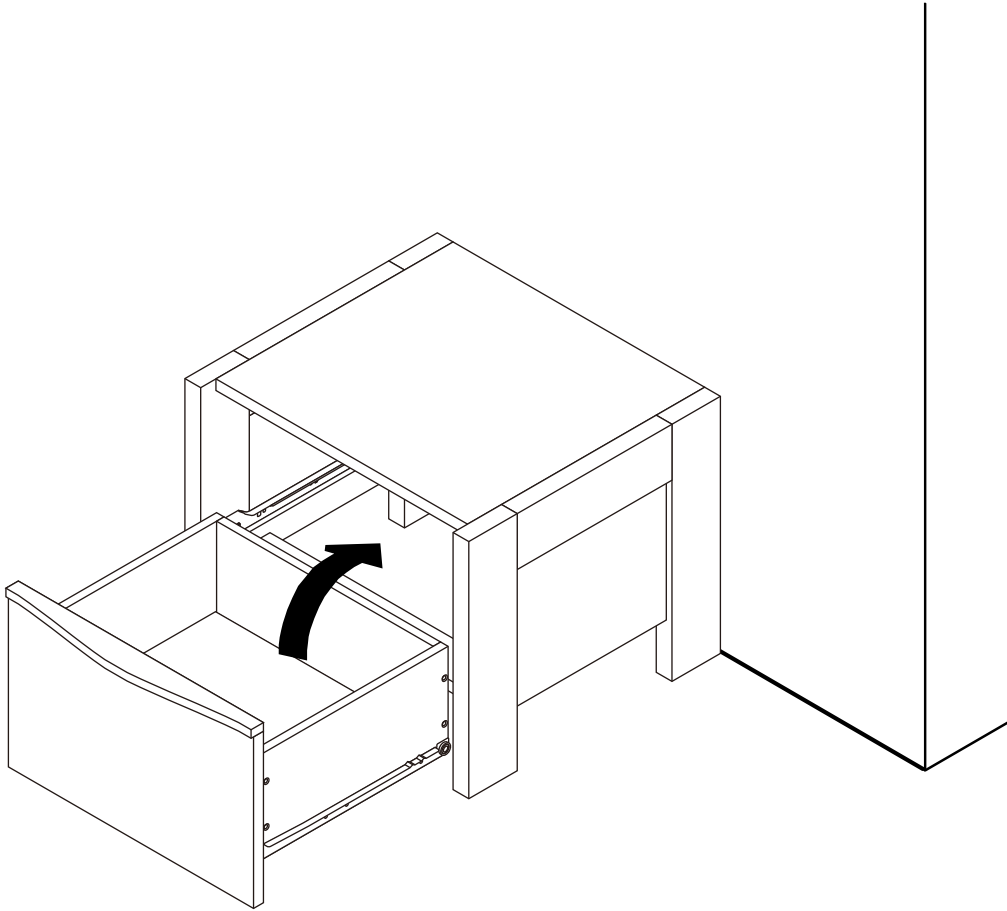
## 7.



## 8.



9.



AFTER FINISHED ASSEMBLY.

INCASE OF GAP BETWEEN DRAWERS ARE NOT ALIGN.  
PLEASE ADJUST AS BELOW.

1. LOOSE SCREW A LITTLE BIT.
2. THEN MOVE FRONT DRAWER TO ALINGNMENT POSITION.
3. TIGHTEN SCREW.