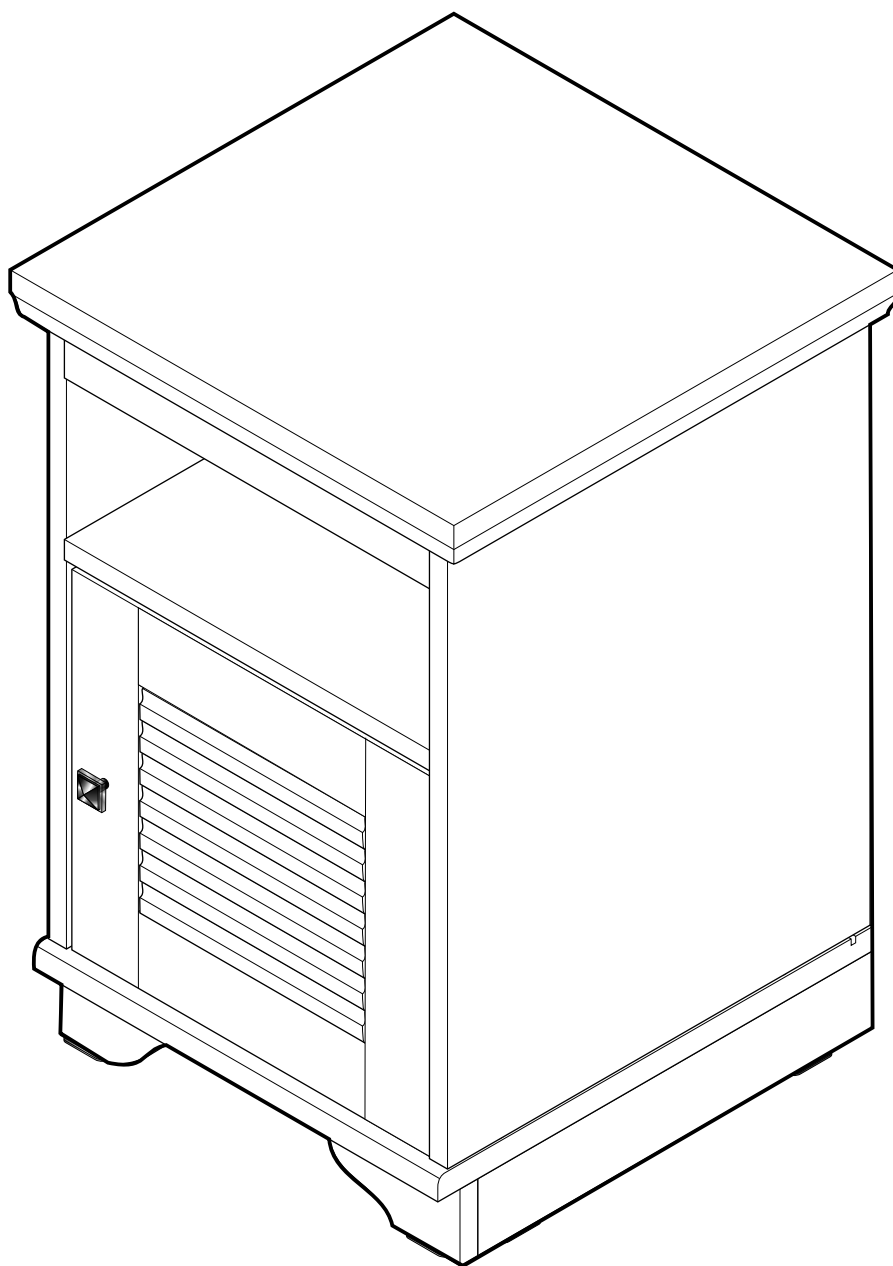
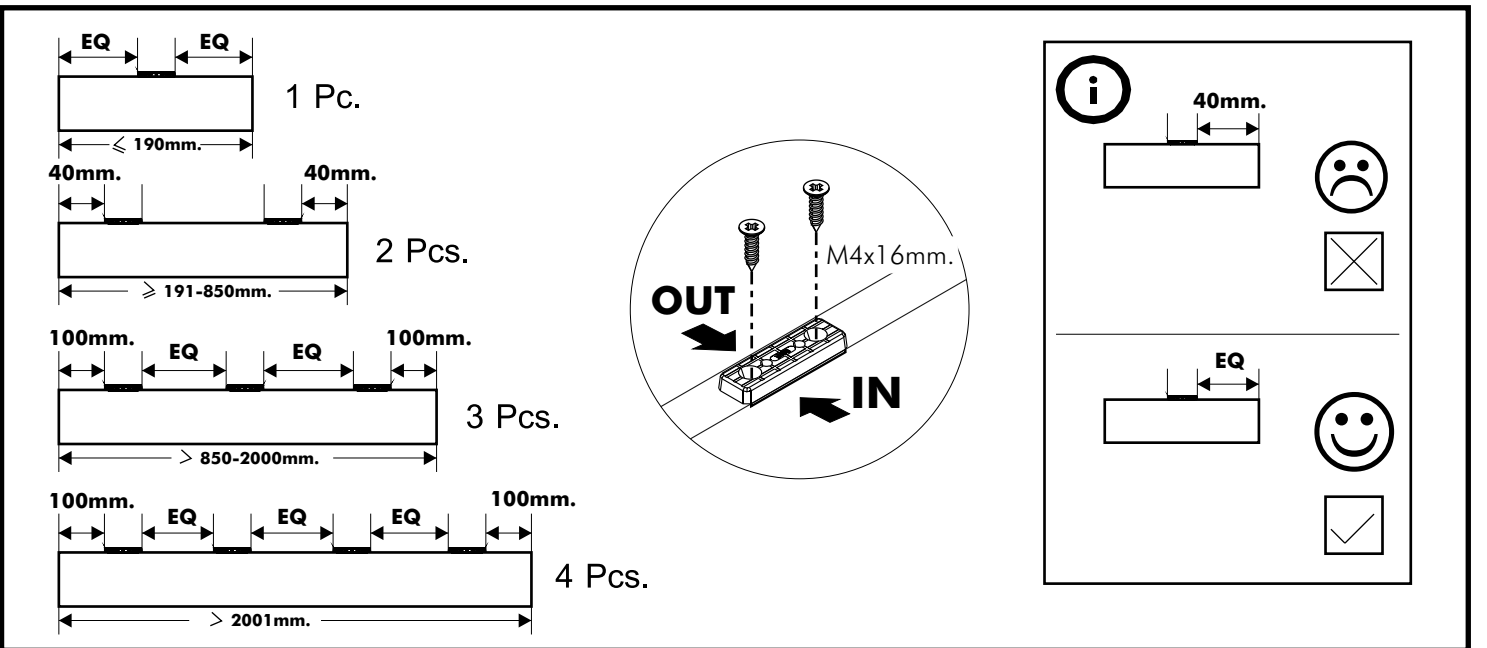
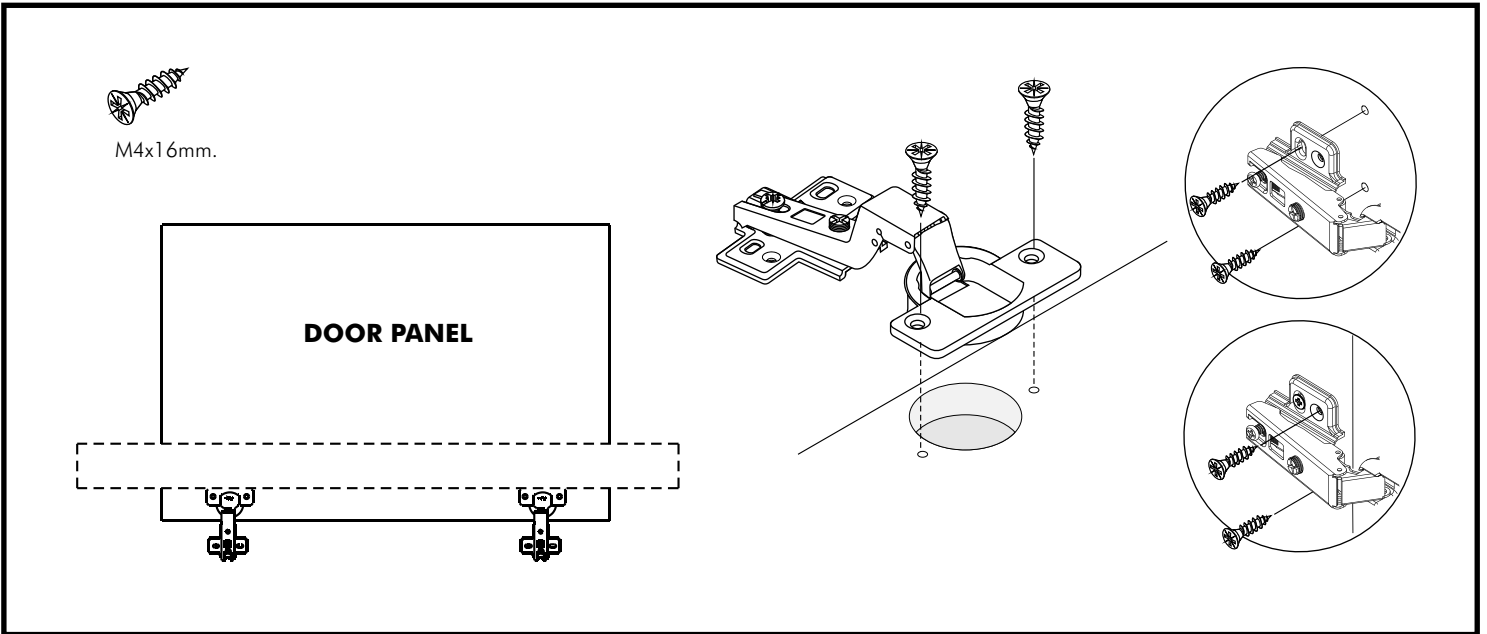
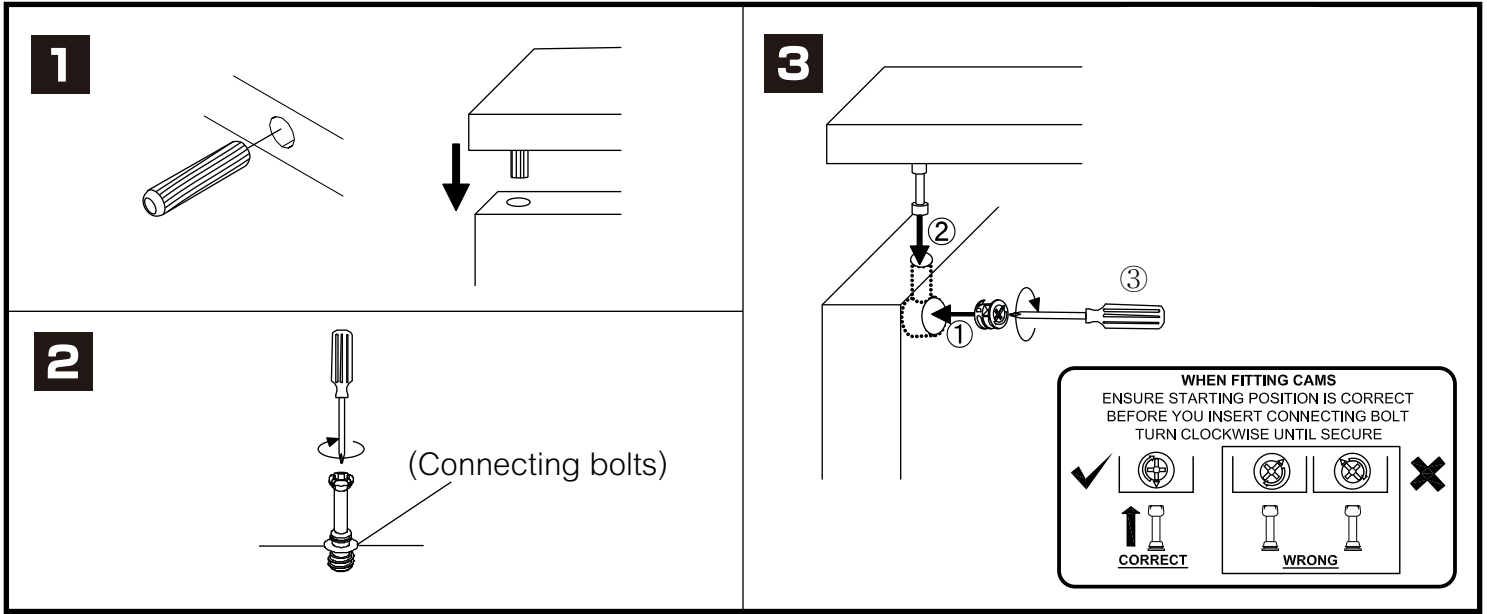


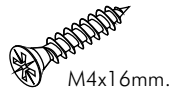
# BOULEVARD/P

Night Table

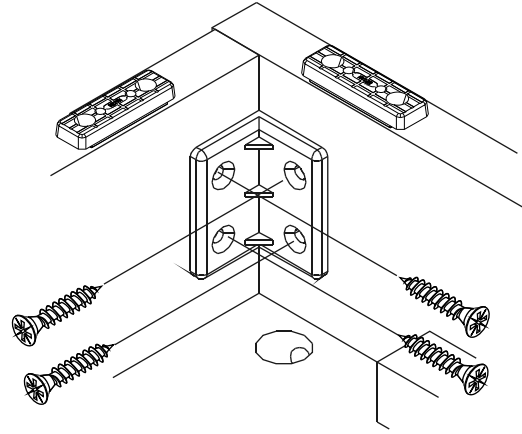
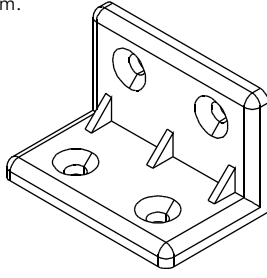


# CONNECT SYSTEM

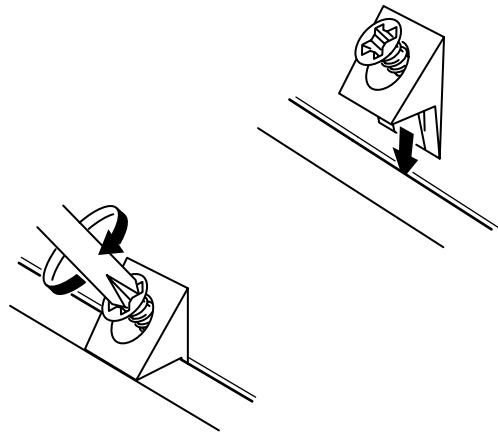
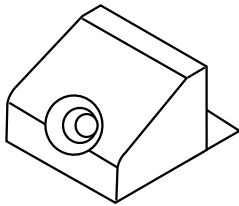




M4x16mm.

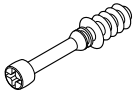


M3.5x20mm.



# HARDWARE

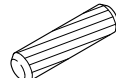
## -BODY SET



**x 12**

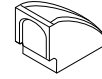


**x 12**

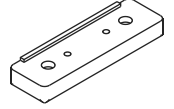


8x35mm.

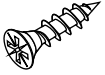
**x 20**



**x 1**



**x 6**



M4x16mm.

**x 24**

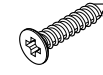


P+6x1/ 2"

**x 1**

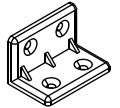


**x 4**



M4x20mm.

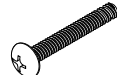
**x 4**



**x 4**

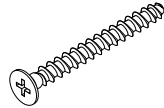


**x 1**



T+M4x25

**x 1**



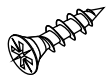
F+DWS+C M5.5\*50

**x 4**

## -DOOR SET



**x 2**



M4x16mm.

**x 12**

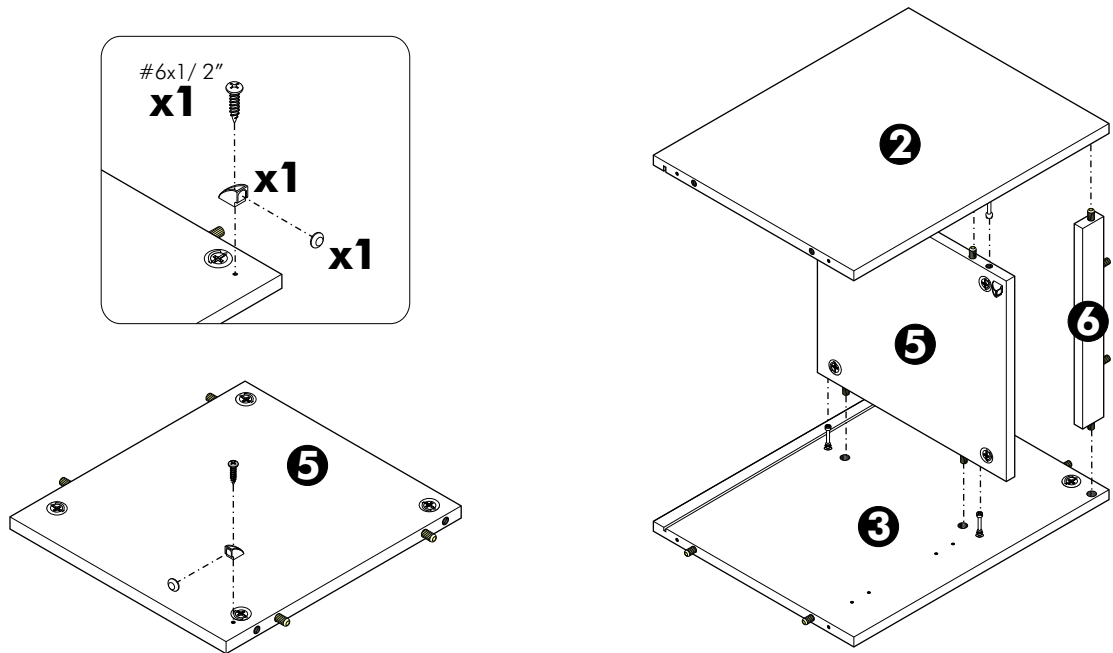


**x 1**

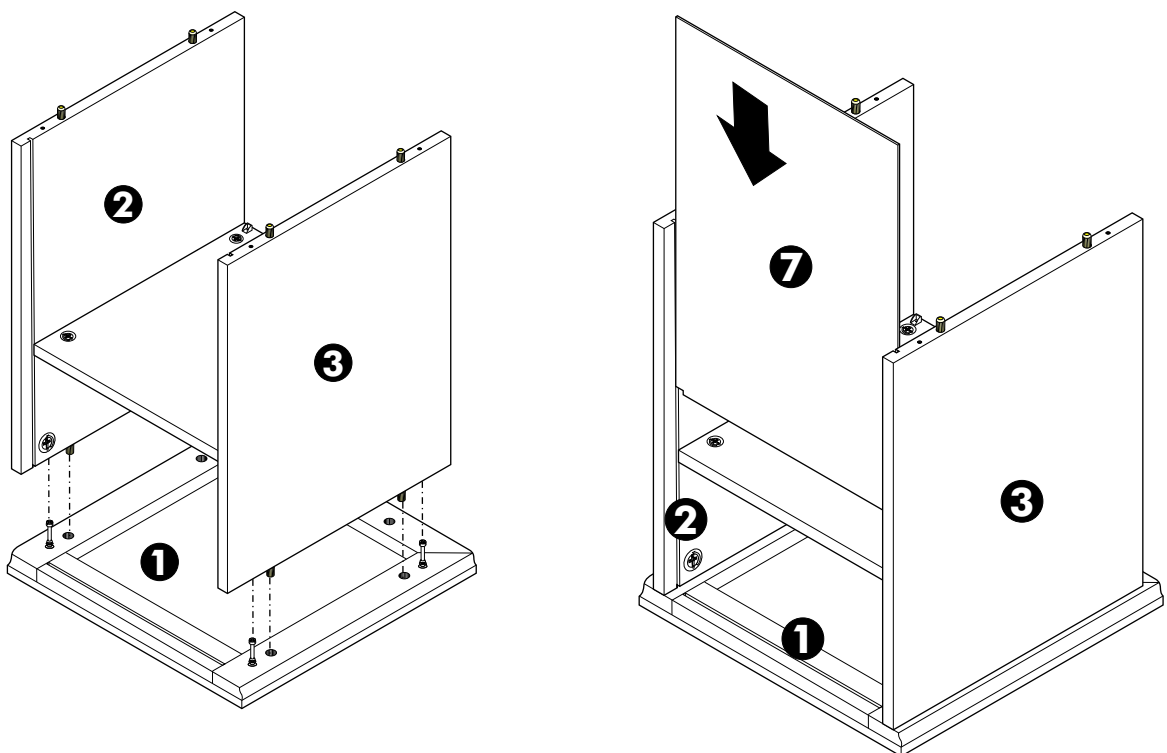
# ASSEMBLY

-BODY SET

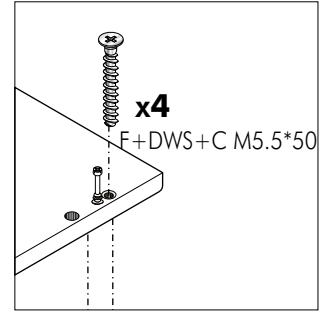
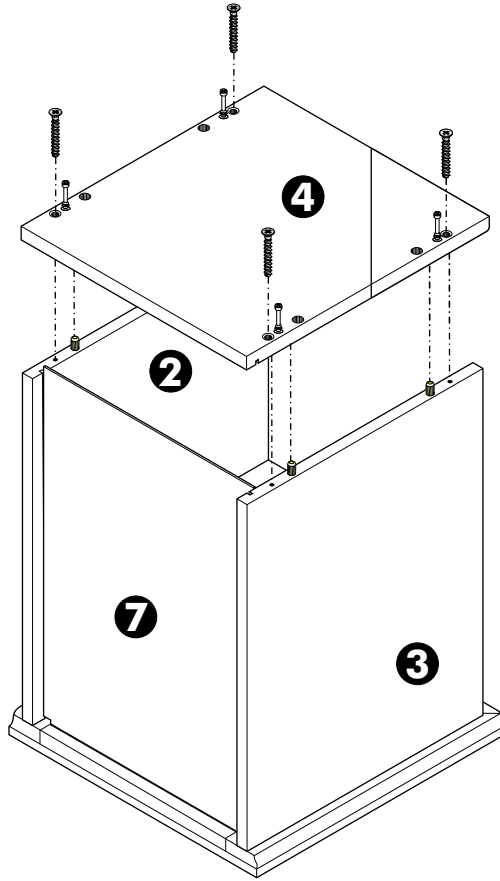
## 1.



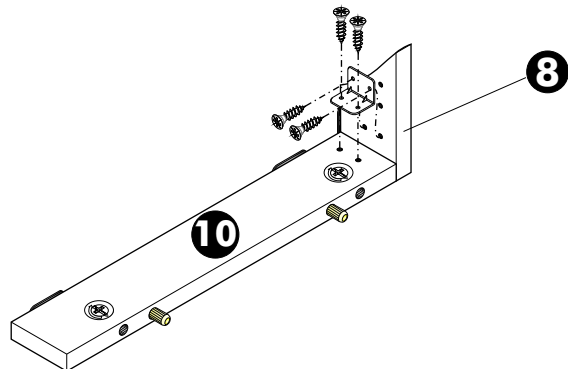
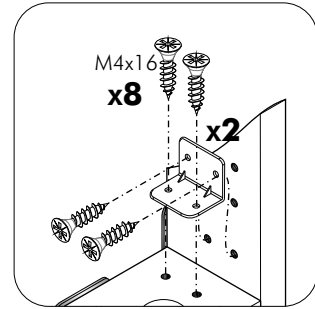
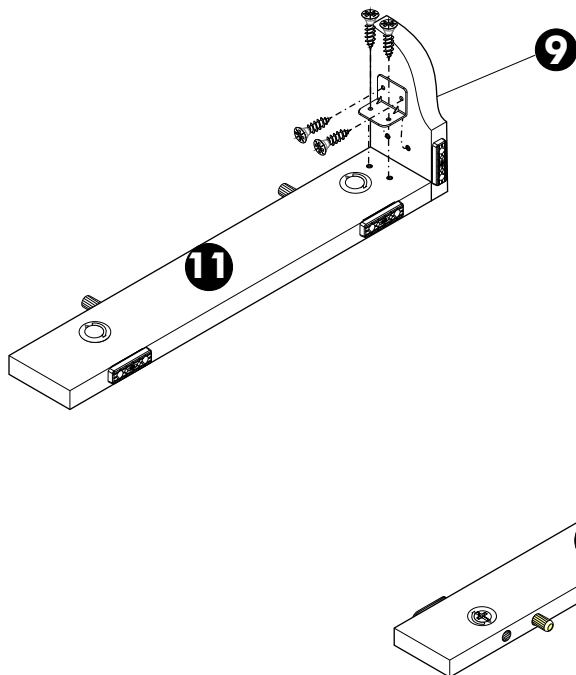
## 2.



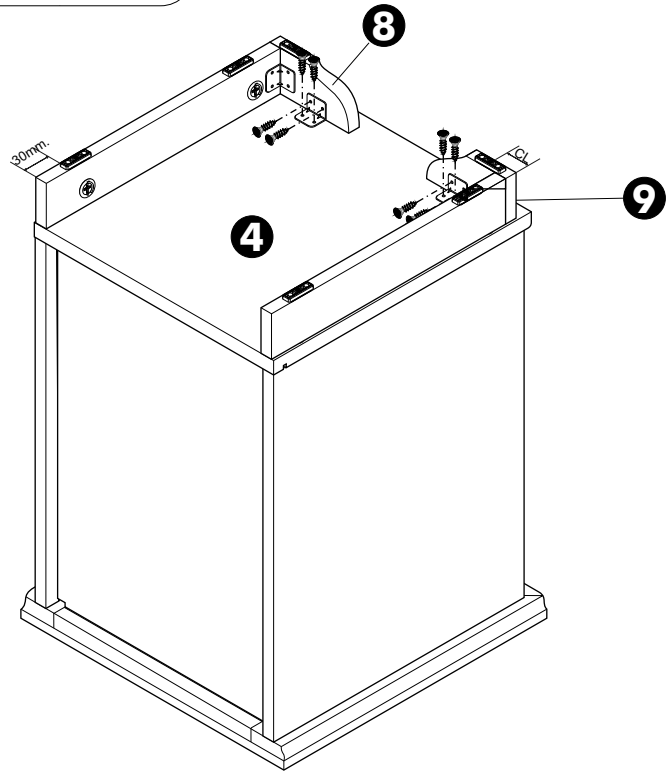
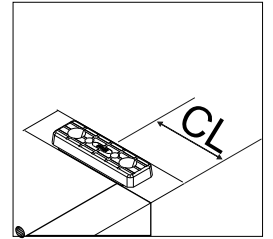
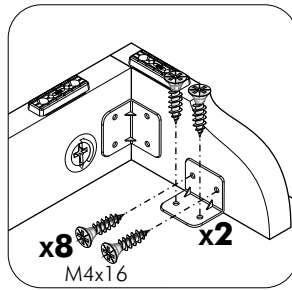
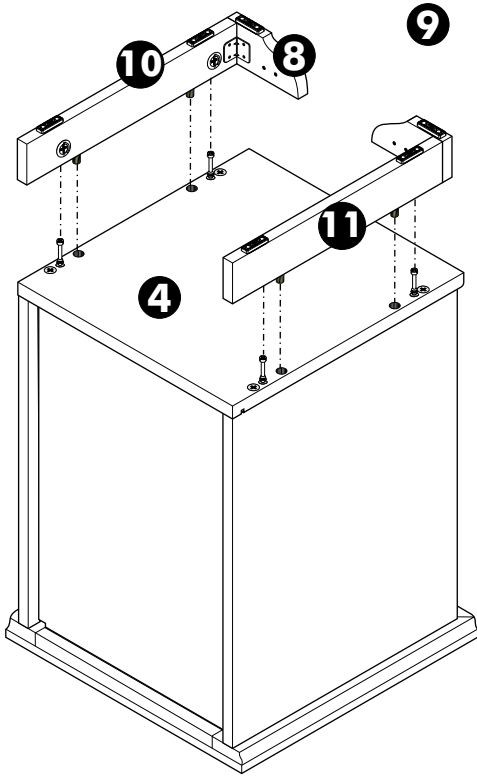
**3.**



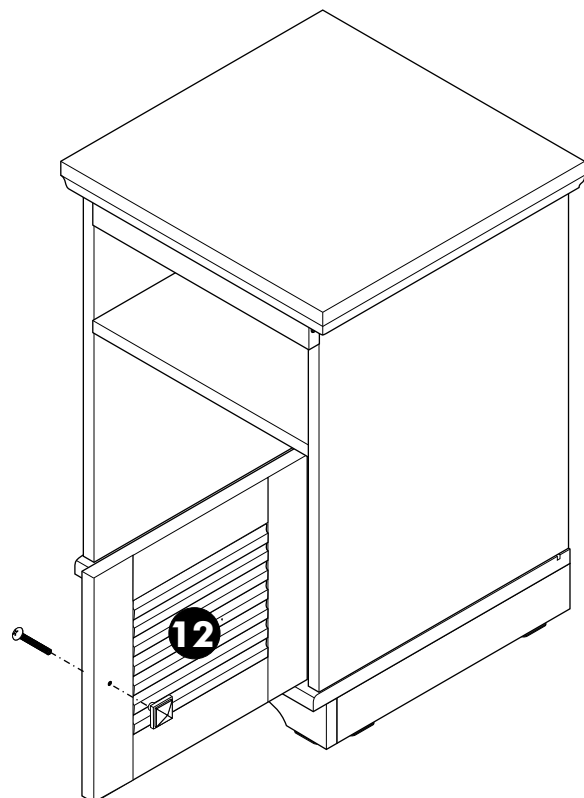
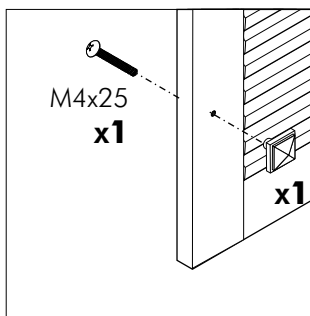
**4.**



**5.**



**6.**



**7.**

