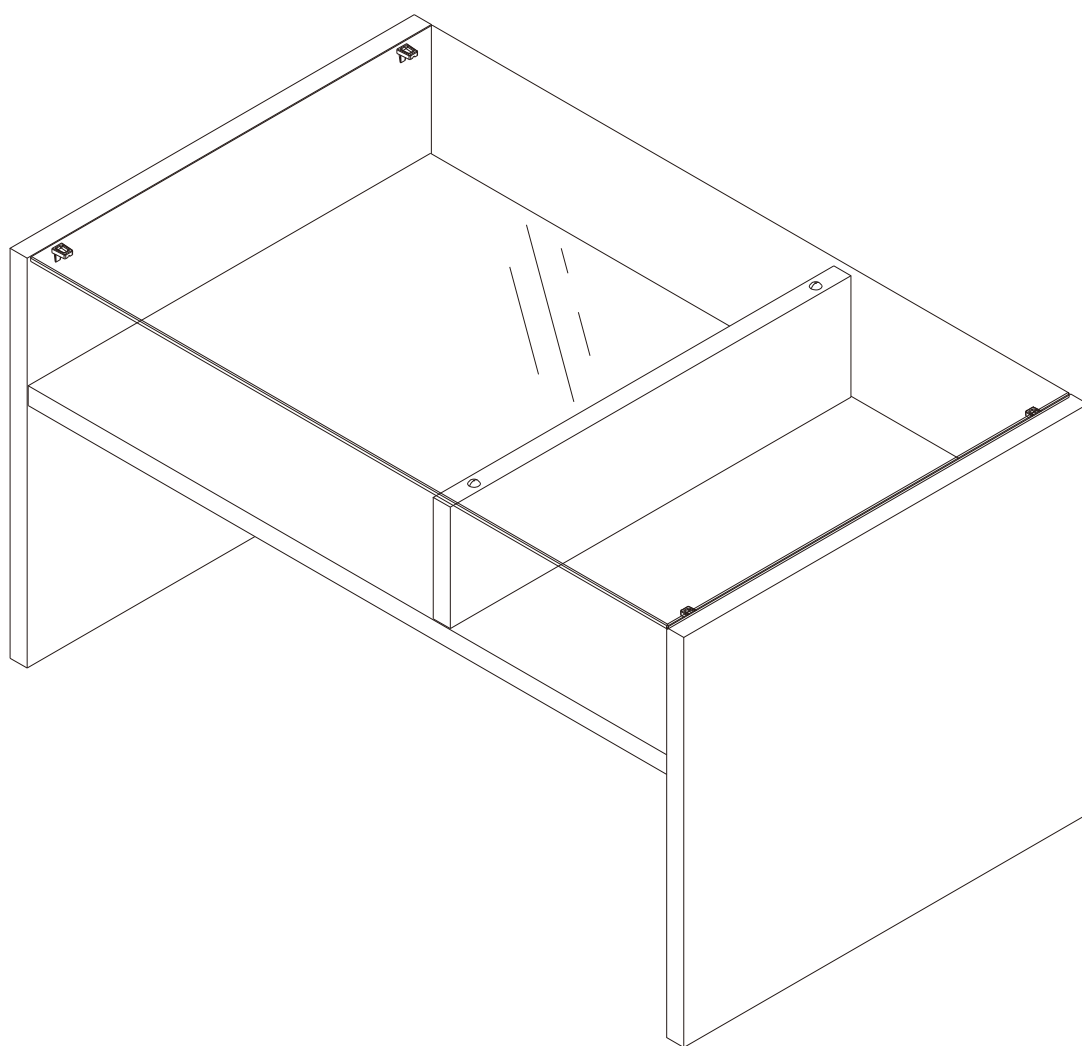


H-BRIGHT-P

COFFEE TABLE



CONNECT SYSTEM

1

3

2

(Connecting bolts)

WHEN FITTING CAMS
 ENSURE STARTING POSITION IS CORRECT
 BEFORE YOU INSERT CONNECTING BOLT
 TURN CLOCKWISE UNTIL SECURE

✓
CORRECT

✗
WRONG

1 Pc.

EQ EQ

≤ 190mm.

40mm. 40mm.

2 Pcs.

≥ 191-850mm.

100mm. EQ EQ 100mm.

3 Pcs.

850-2000mm.

100mm. EQ EQ EQ 100mm.

4 Pcs.

> 2001mm.

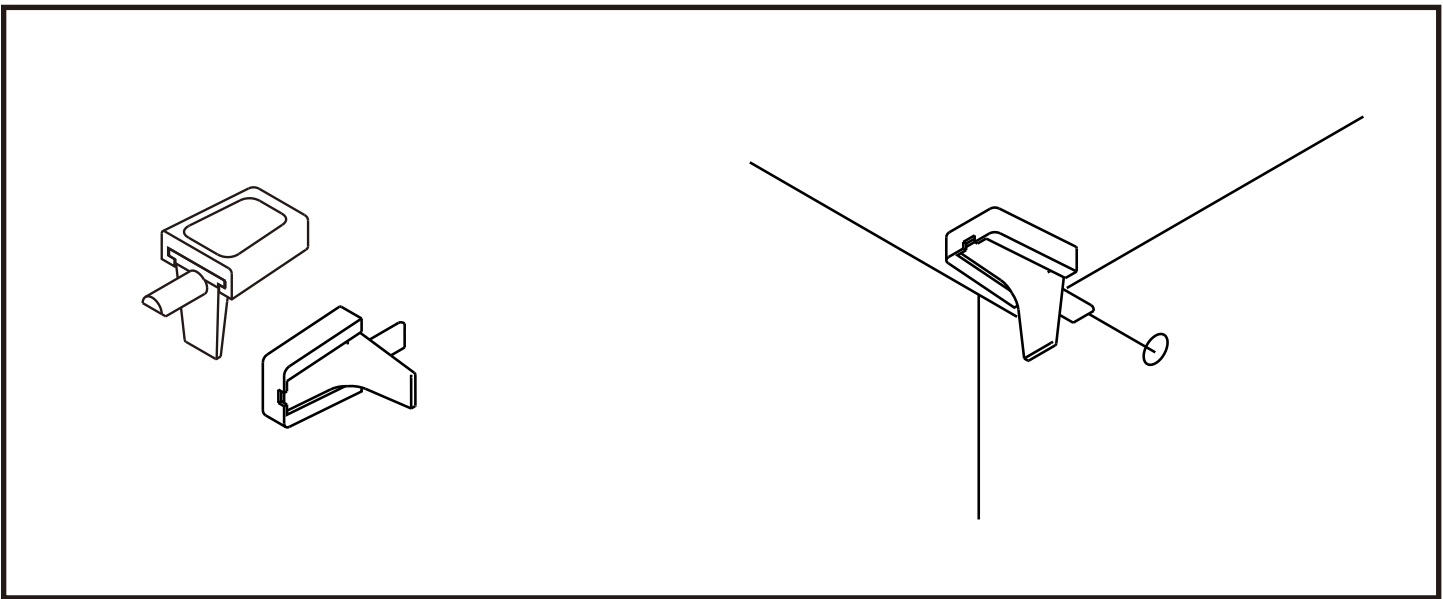
M4x16mm.

OUT IN

i

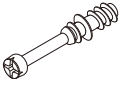
40mm.

EQ



HARDWARE

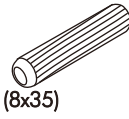
-BODY SET



x 4



x 4



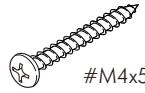
(8x35)

x 14



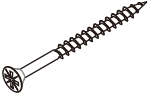
#M4x16(F)

x 24



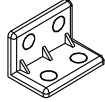
#M4x50(P)

x 6

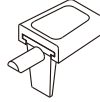


M5x70mm.

x 3



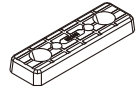
x 4



x 4



x 2

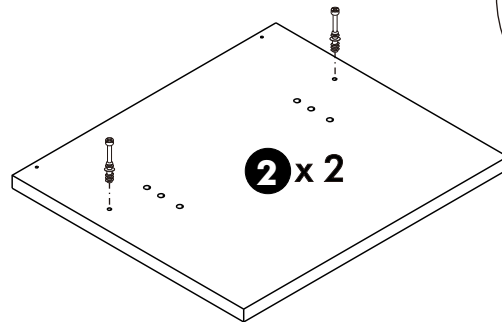
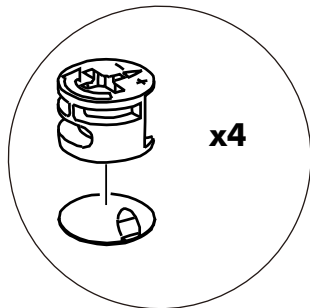
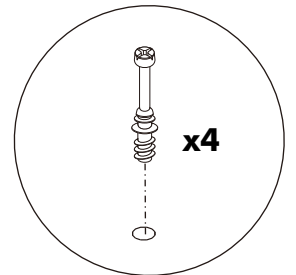
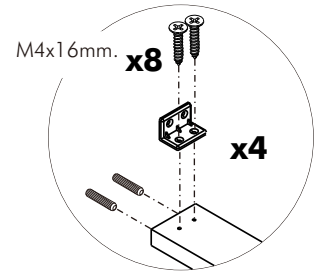
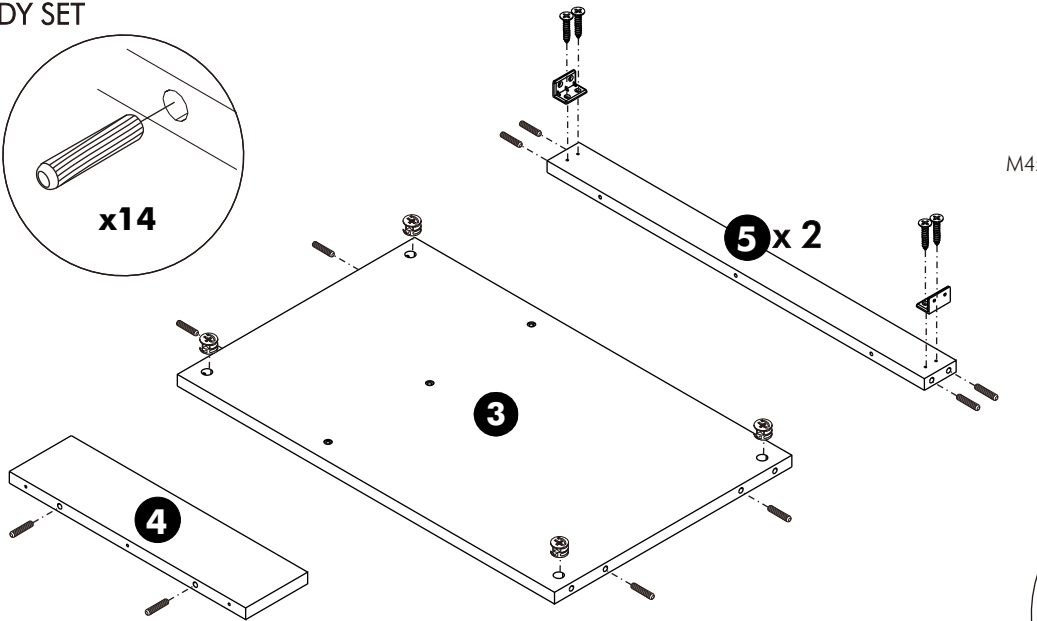
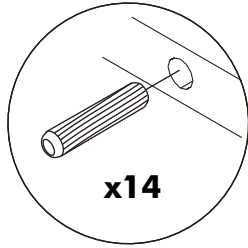


x 4

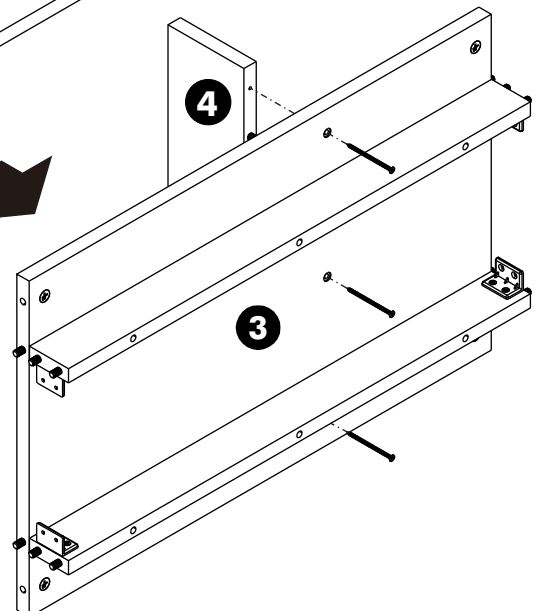
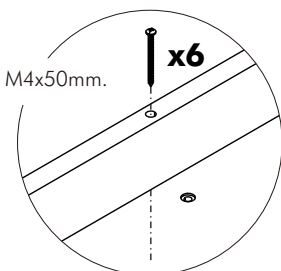
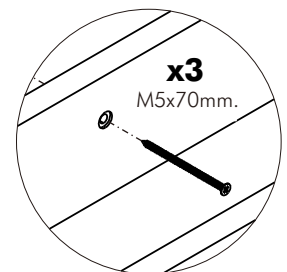
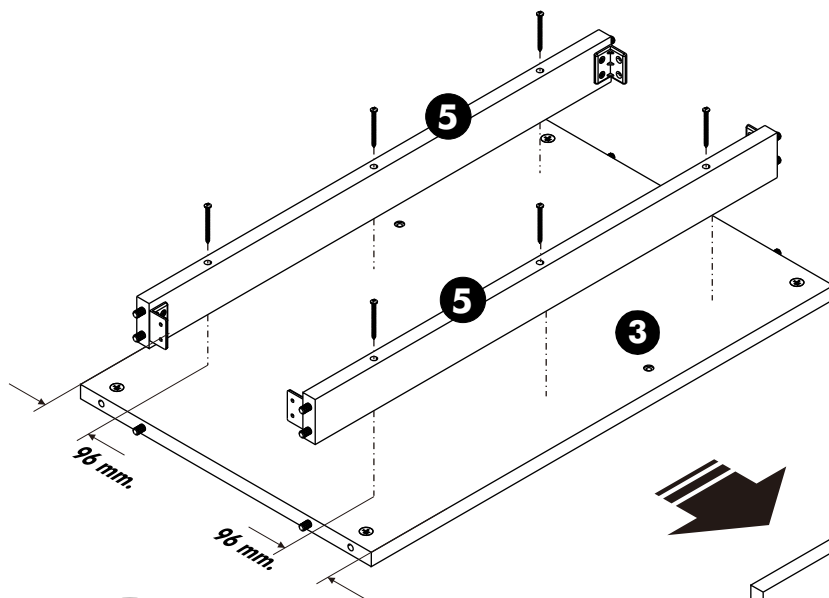
ASSEMBLY

-BODY SET

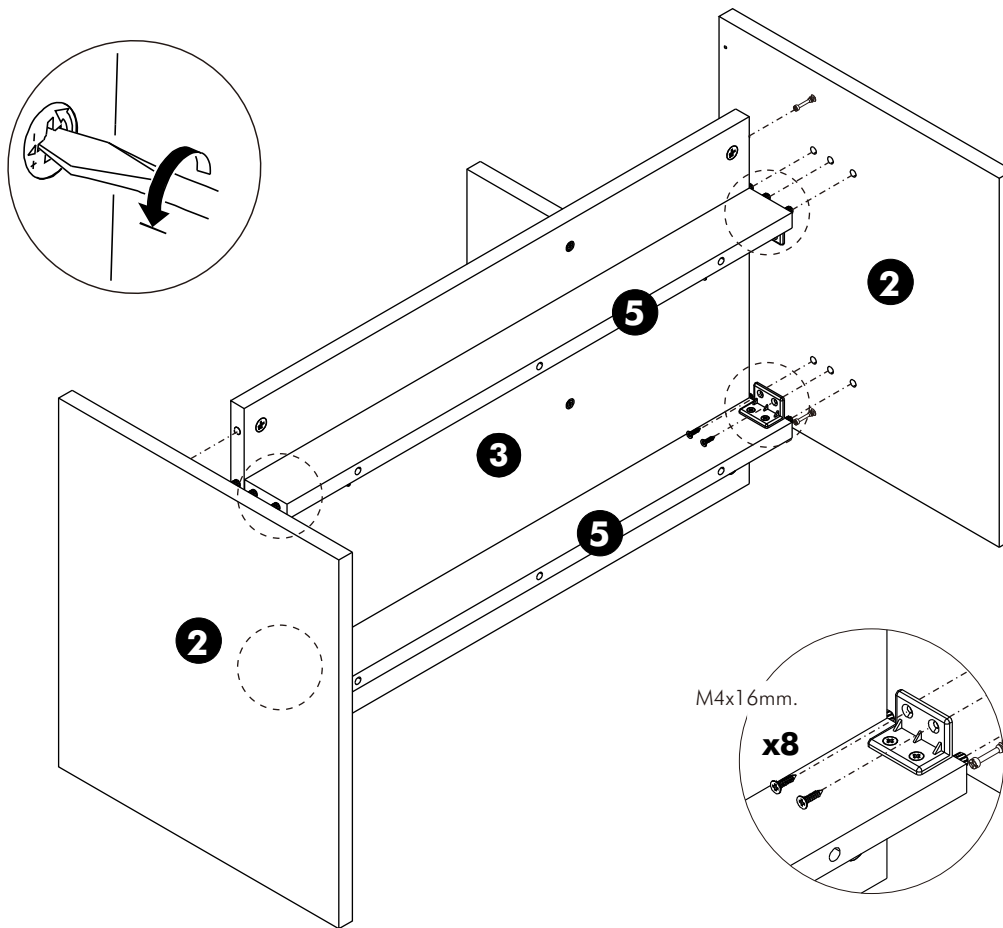
1.



2.



3.



4.

