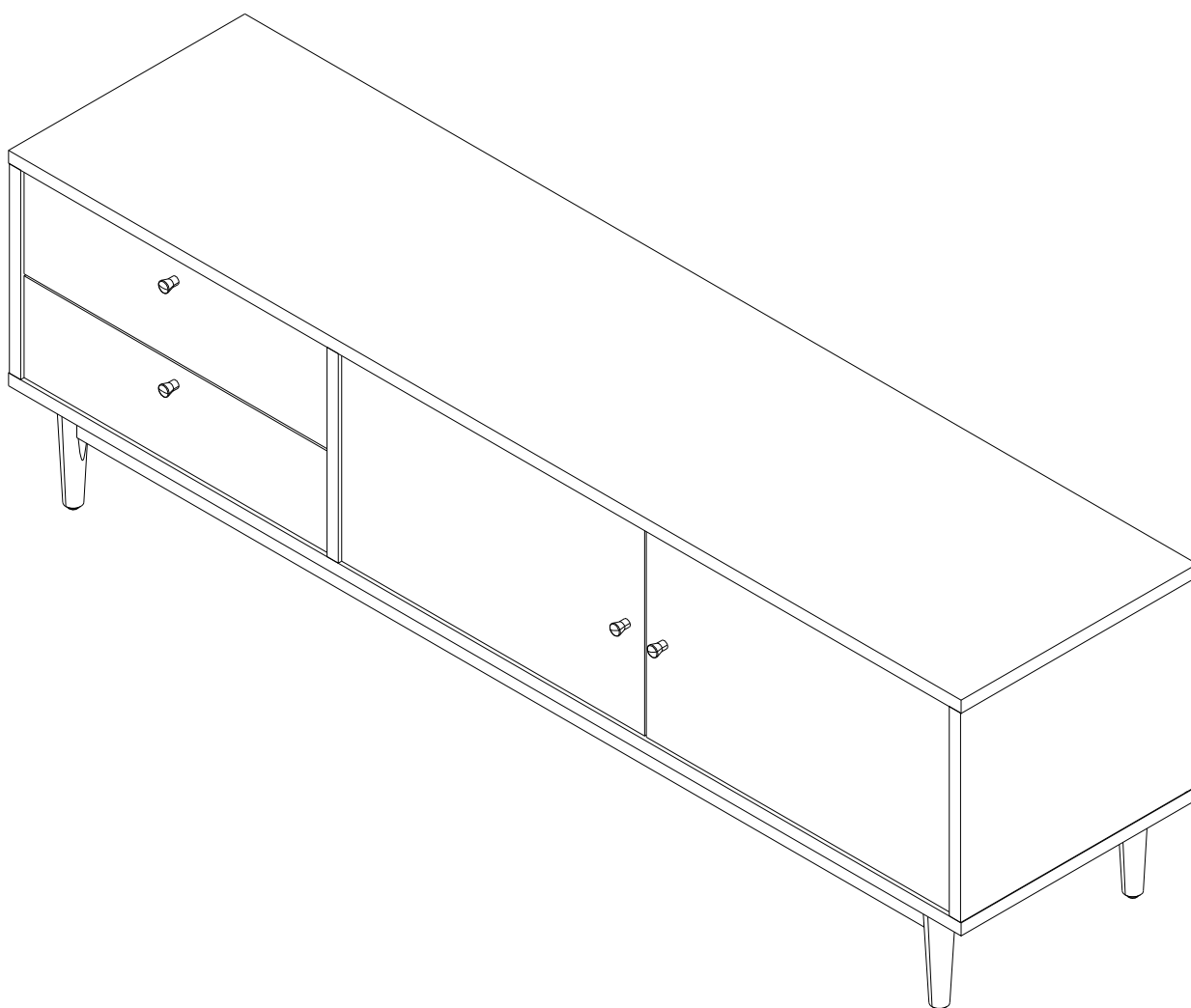
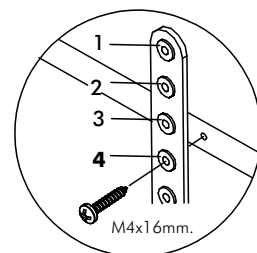
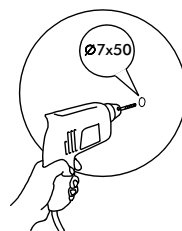
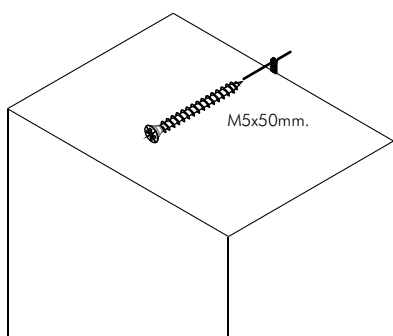
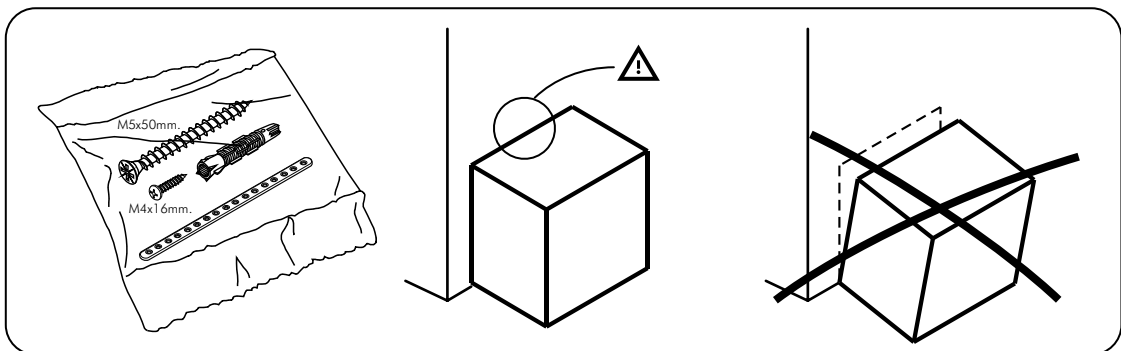
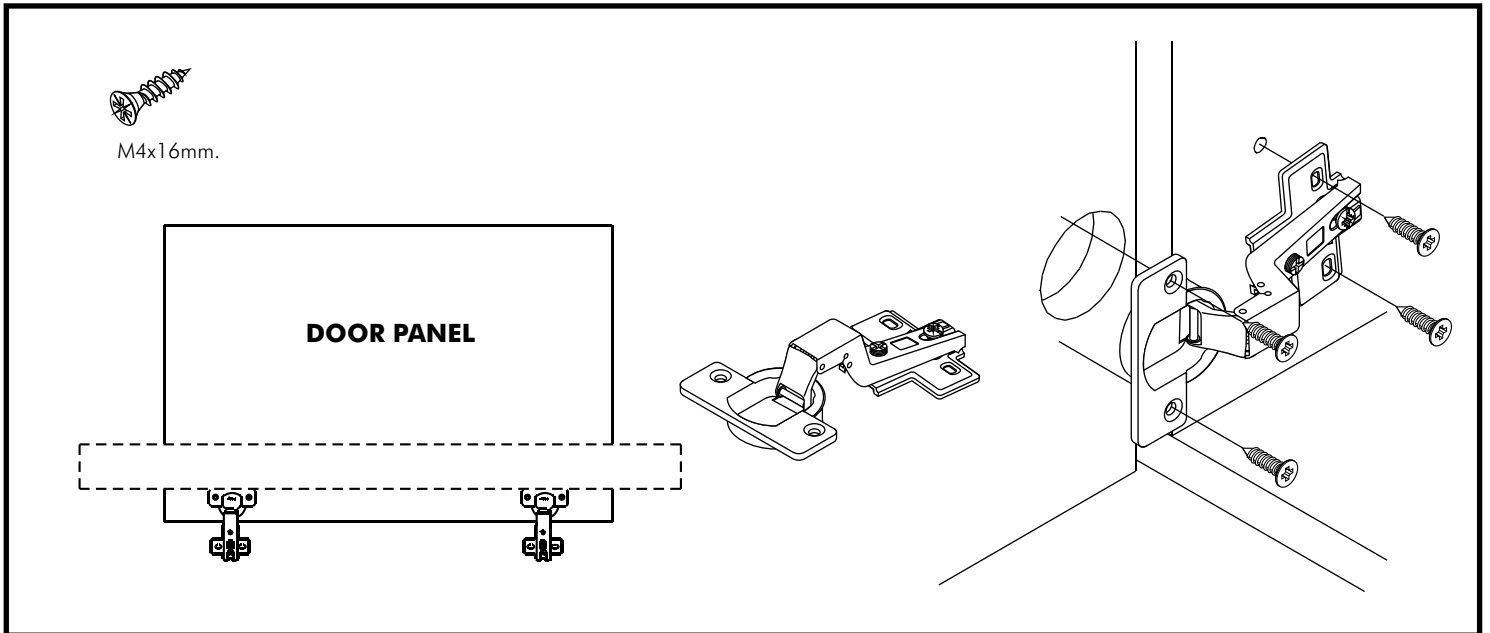


SKALAR-P

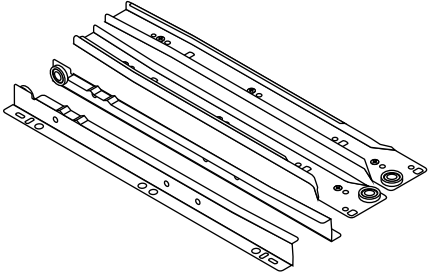
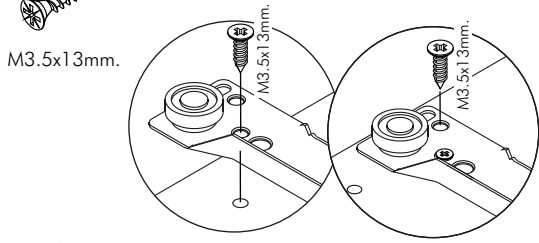
TV Cabinet 160 cm.



CONNECT SYSTEM

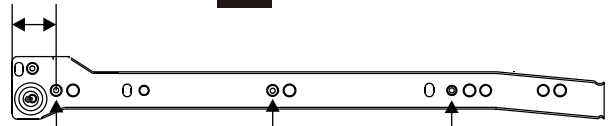


M3.5x13mm.



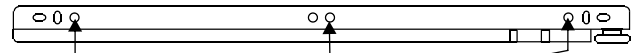
28mm.

1

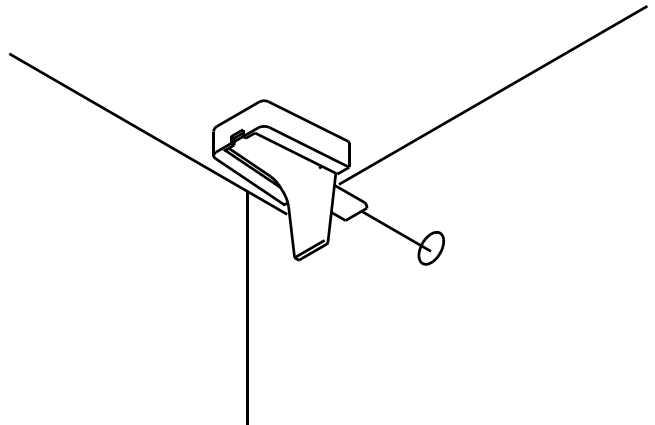
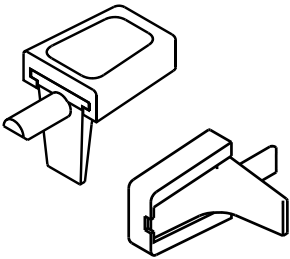


Use these holes

2

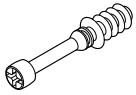


Use these holes

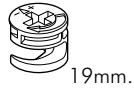


HARDWARE

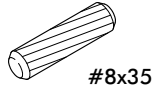
-BODY SET



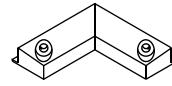
x 8



x 8



x 16



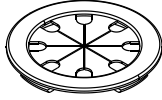
x 4



x 4



x 8



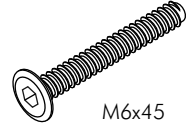
x 1



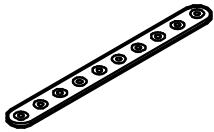
x 26



x 8



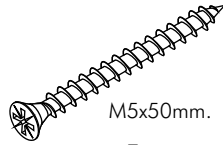
x 2



x 1



x 1



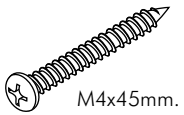
x 1



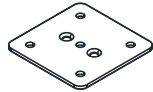
x 8



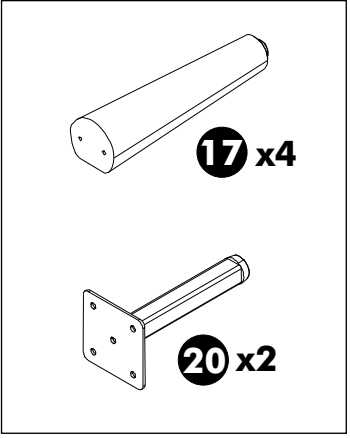
x 8



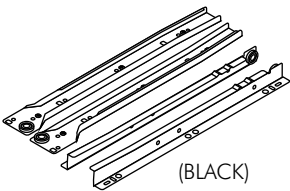
x 4



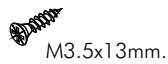
x 4



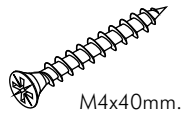
-DRAWER SET



x 2



x 28



x 20

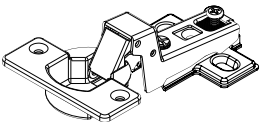


x 6



x 1

-DOOR SET



x 4



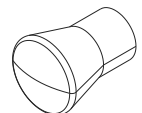
x 16



x 2



x 2



x 4

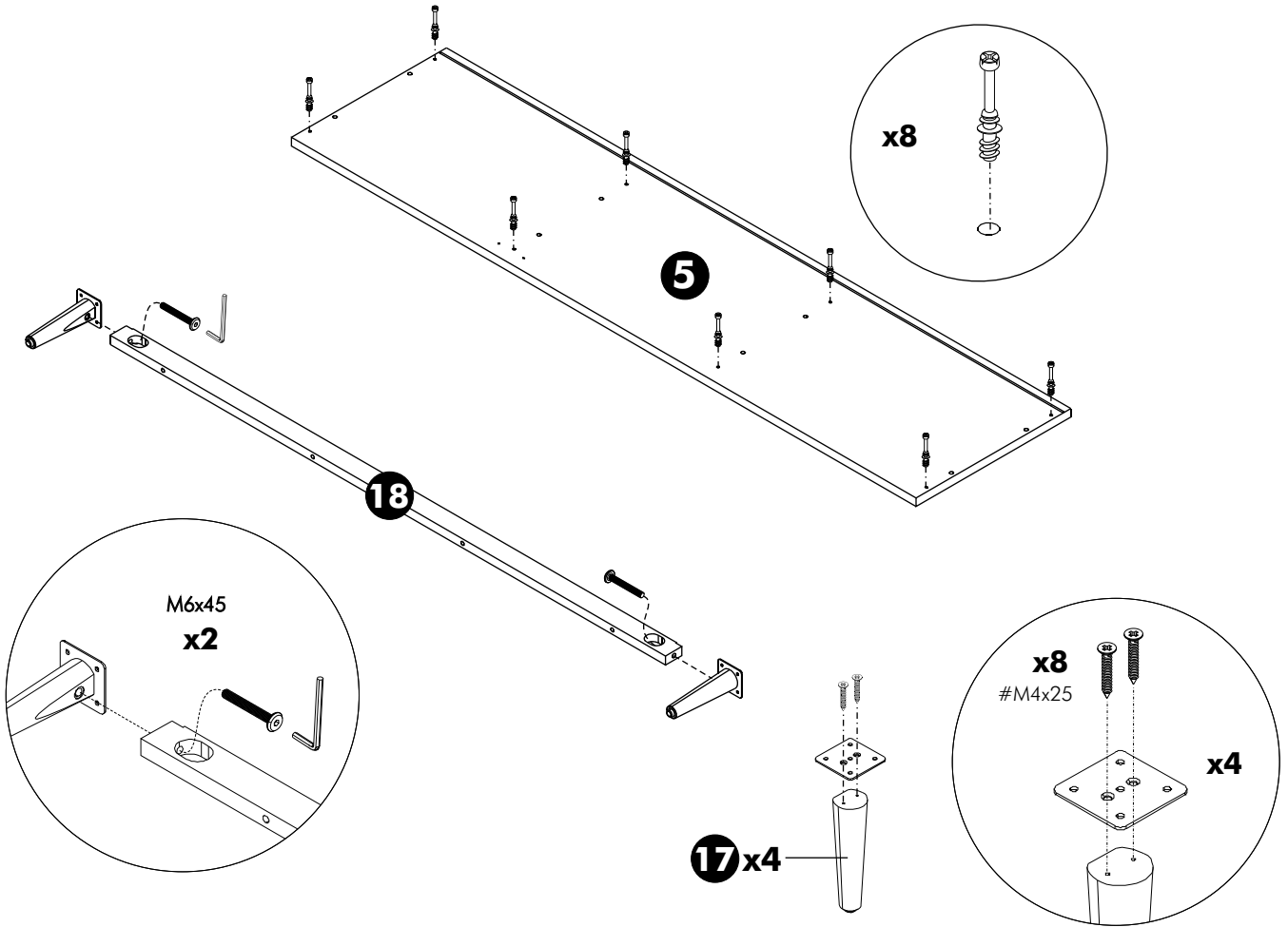


x 4

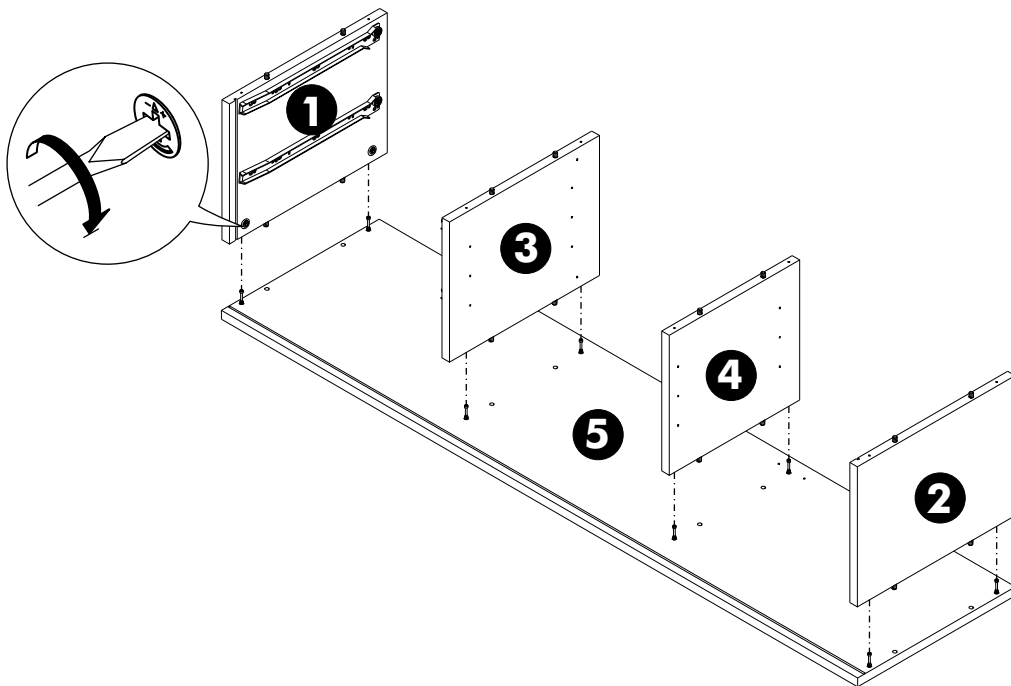


x 2

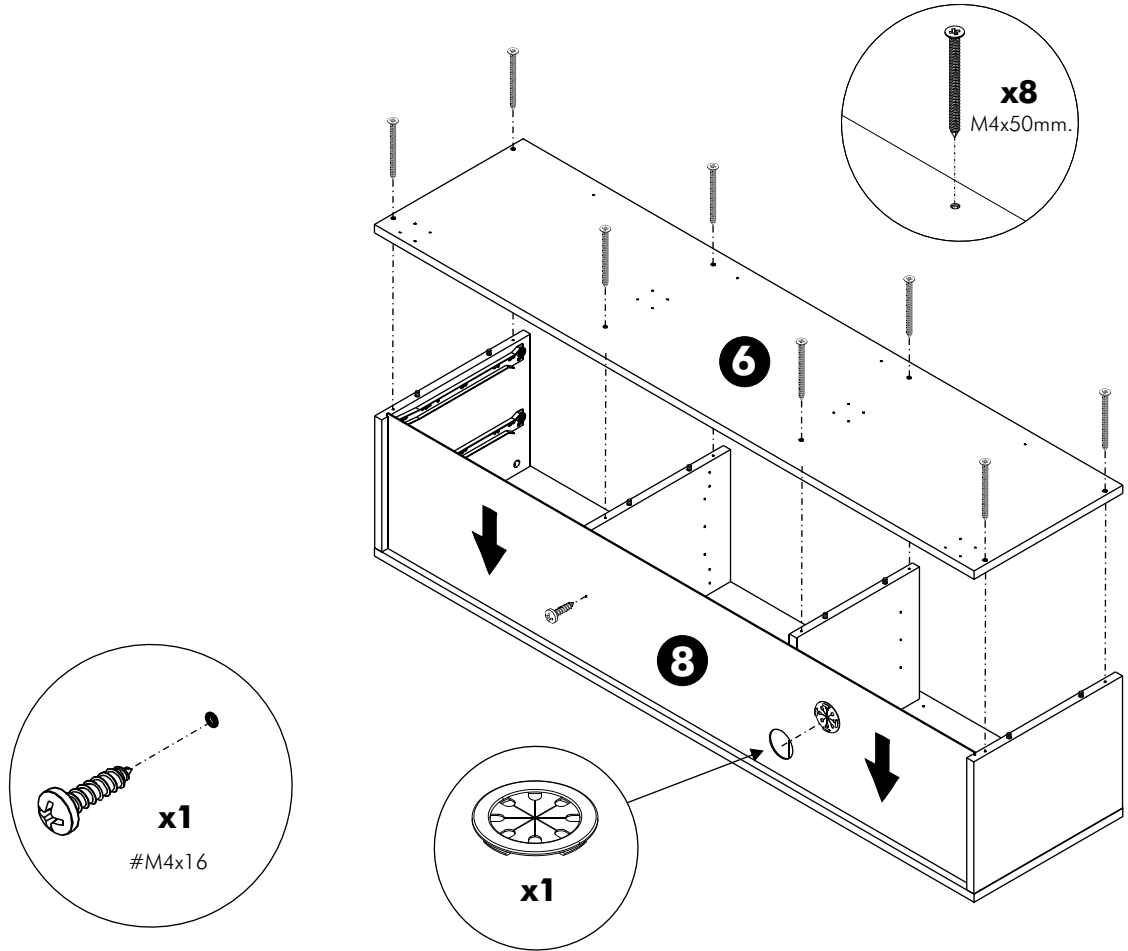
1.



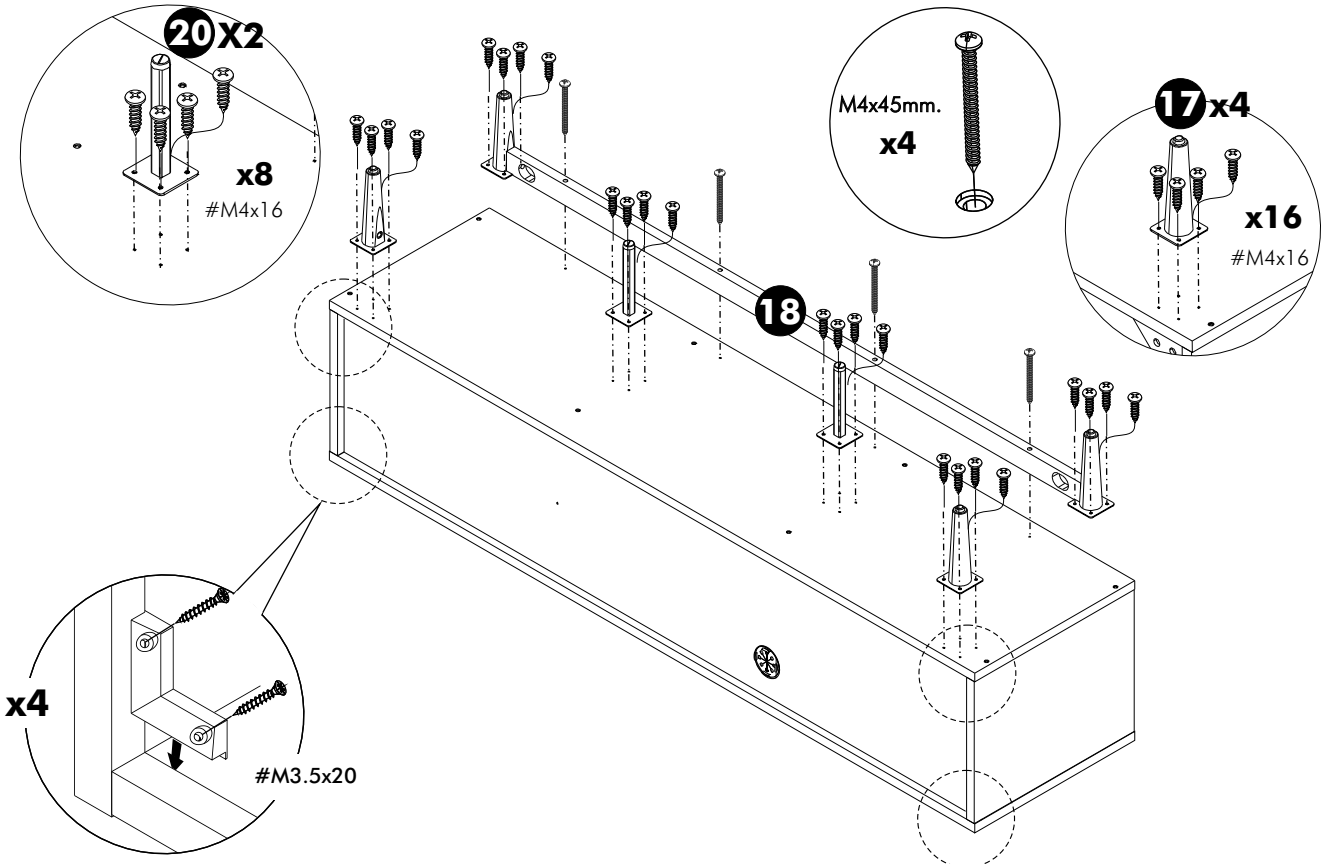
2.



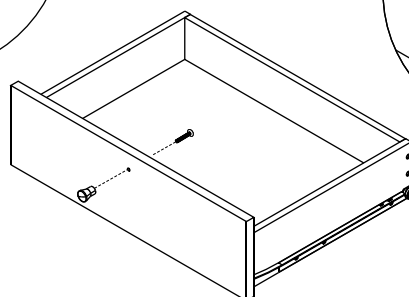
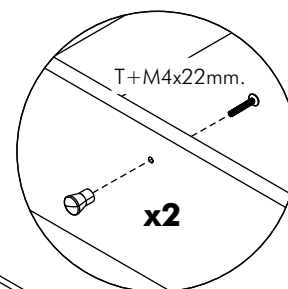
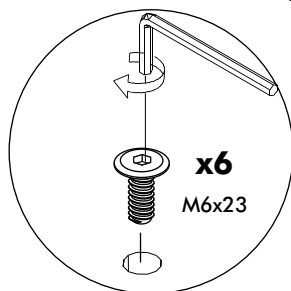
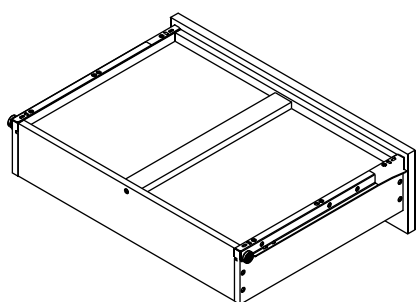
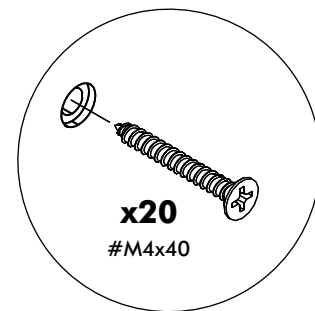
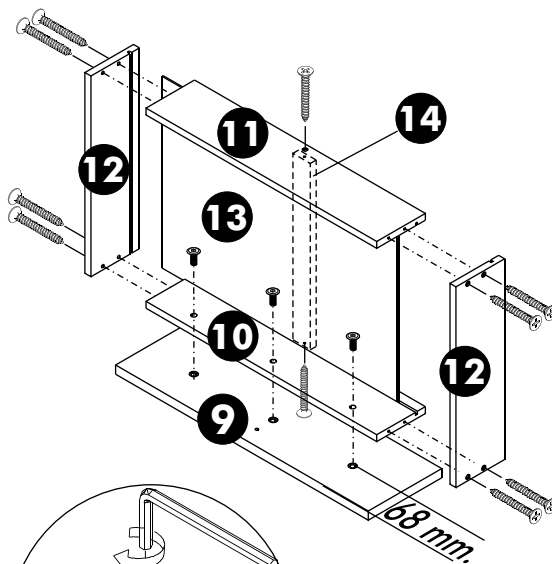
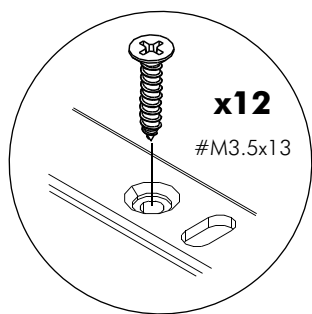
3.



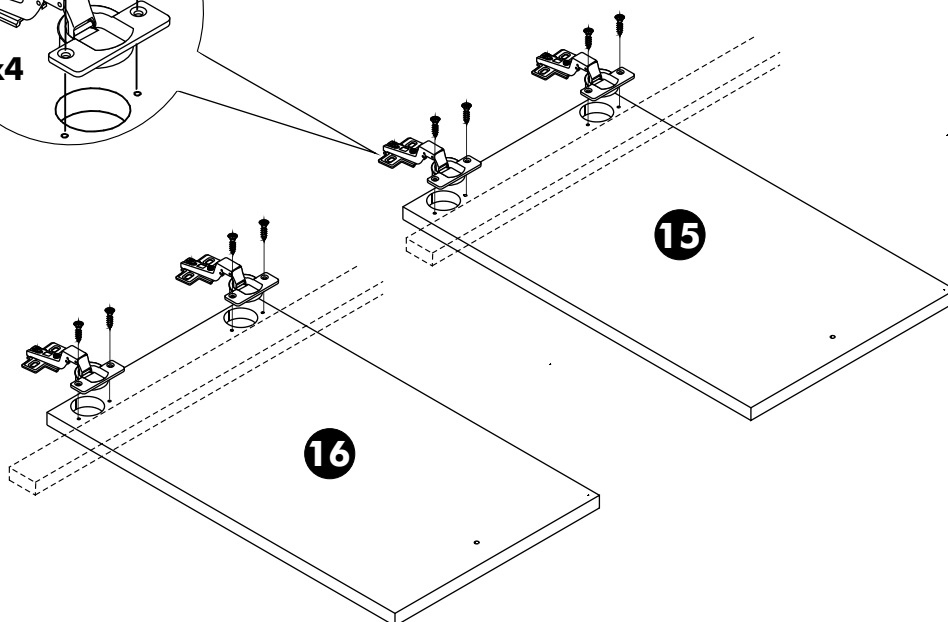
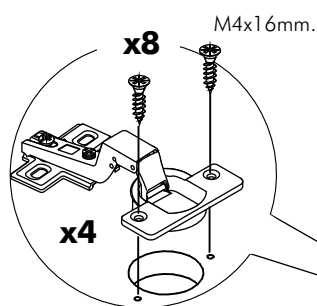
4.



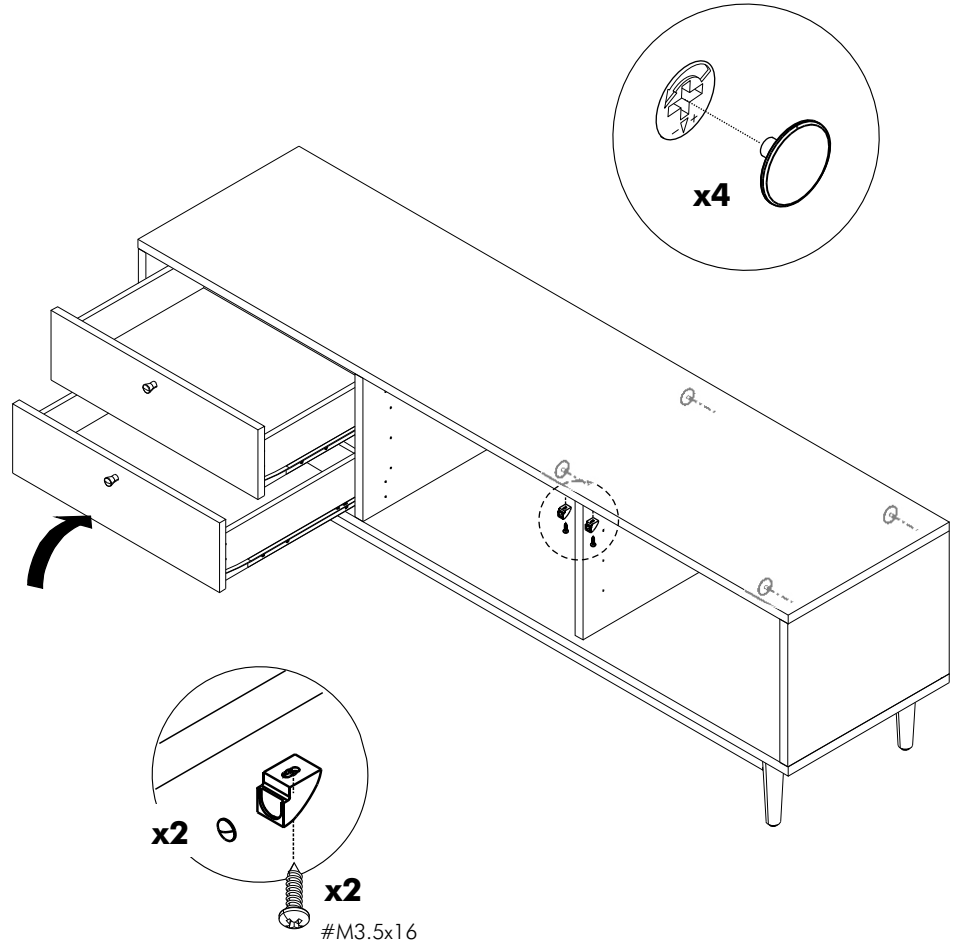
5. 2 set



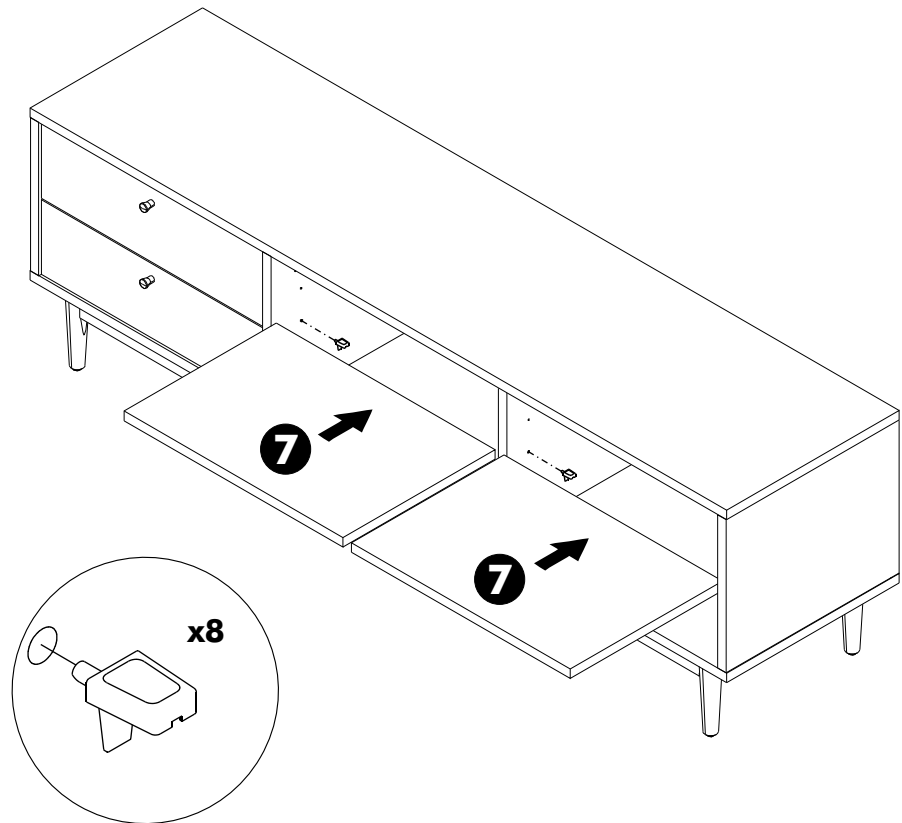
6.



7.



8.



10.

