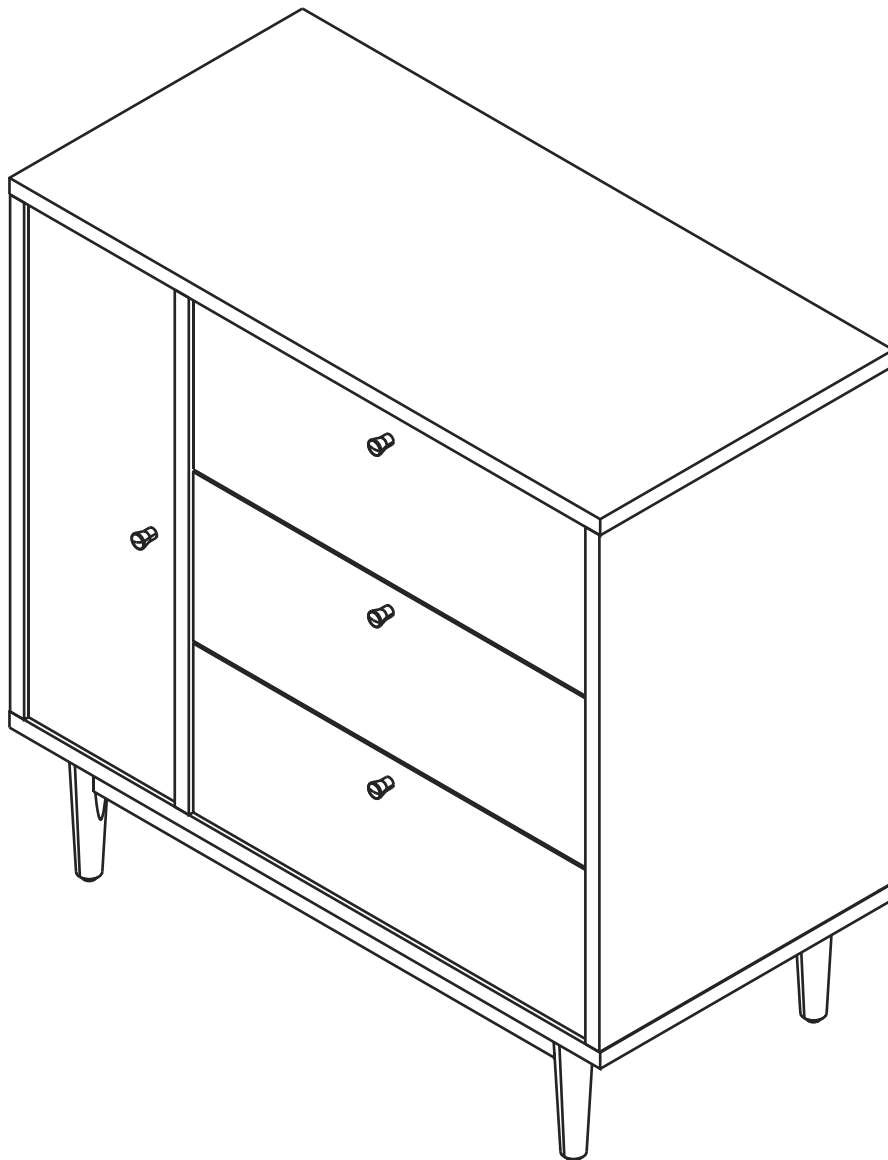
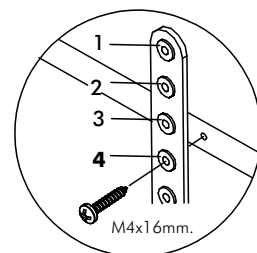
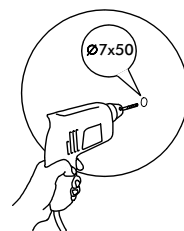
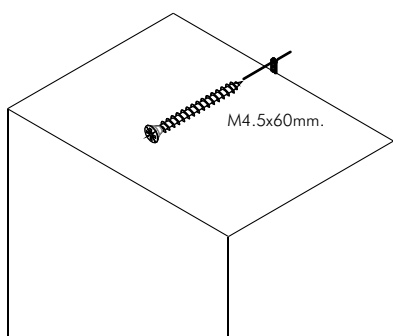
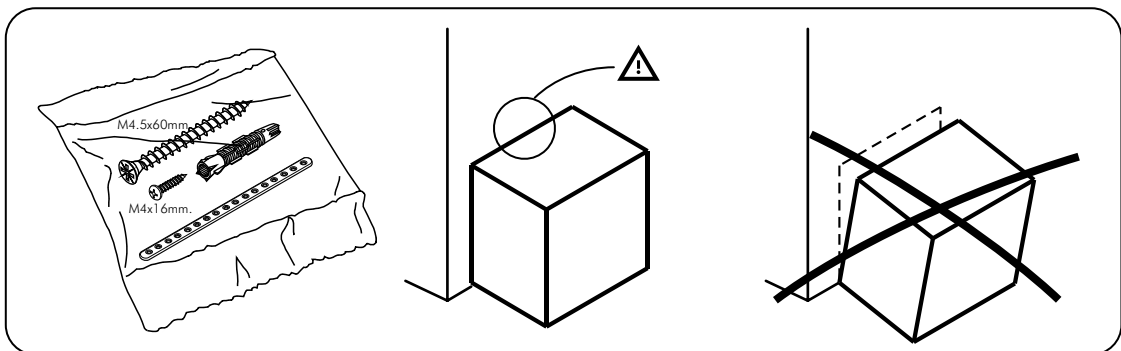
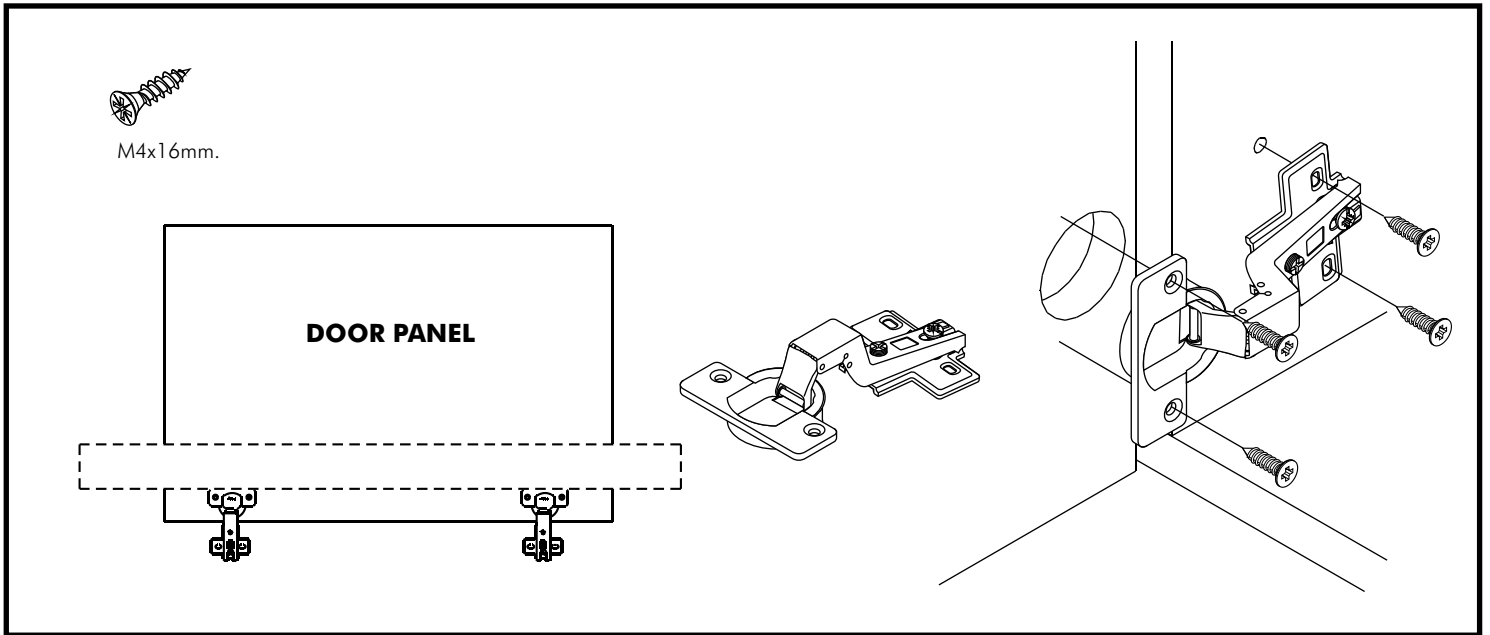


# SKALAR-P

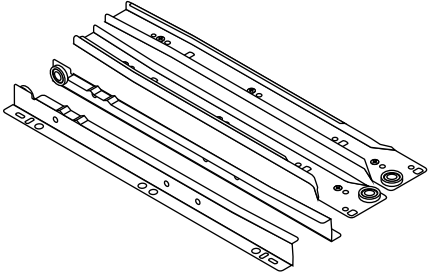
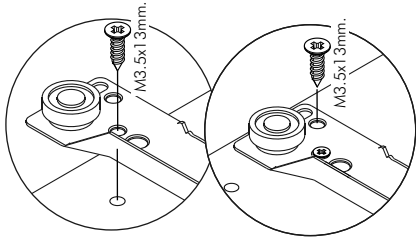
Chest 3 drawers



# CONNECT SYSTEM

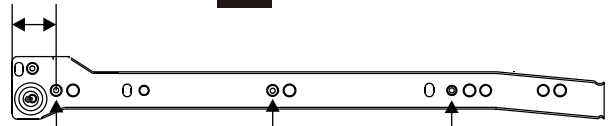


M3.5x13mm.



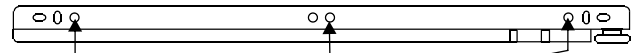
28mm.

**1**

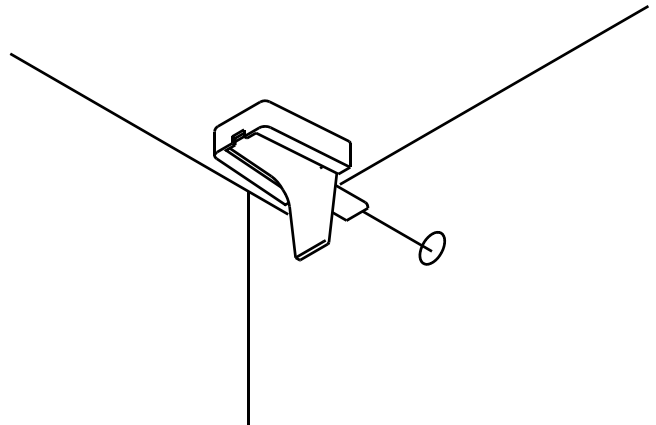
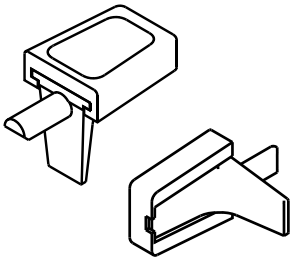


Use these holes

**2**

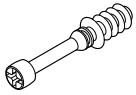


Use these holes

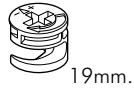


# HARDWARE

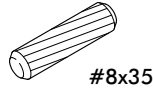
## -BODY SET



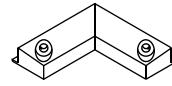
**x 6**



**x 6**



**x 12**



**x 4**



**x 2**



**x 4**



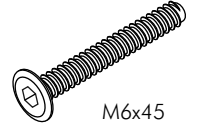
**x 3**



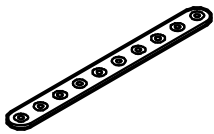
**x 17**



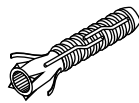
**x 11**



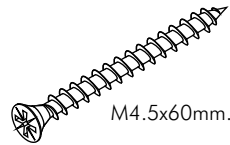
**x 2**



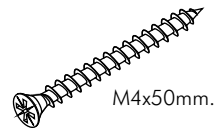
**x 1**



**x 1**



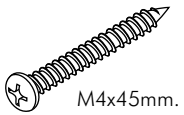
**x 1**



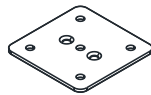
**x 6**



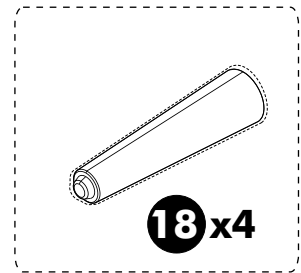
**x 8**



**x 2**

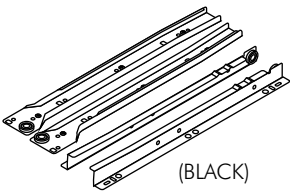


**x 4**



**18x4**

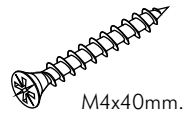
## -DRAWER SET



**x 3**



**x 42**



**x 30**

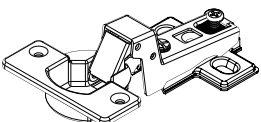


**x 15**



**x 1**

## -DOOR SET



**x 2**



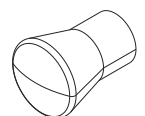
**x 8**



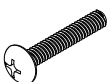
**x 1**



**x 1**



**x 4**

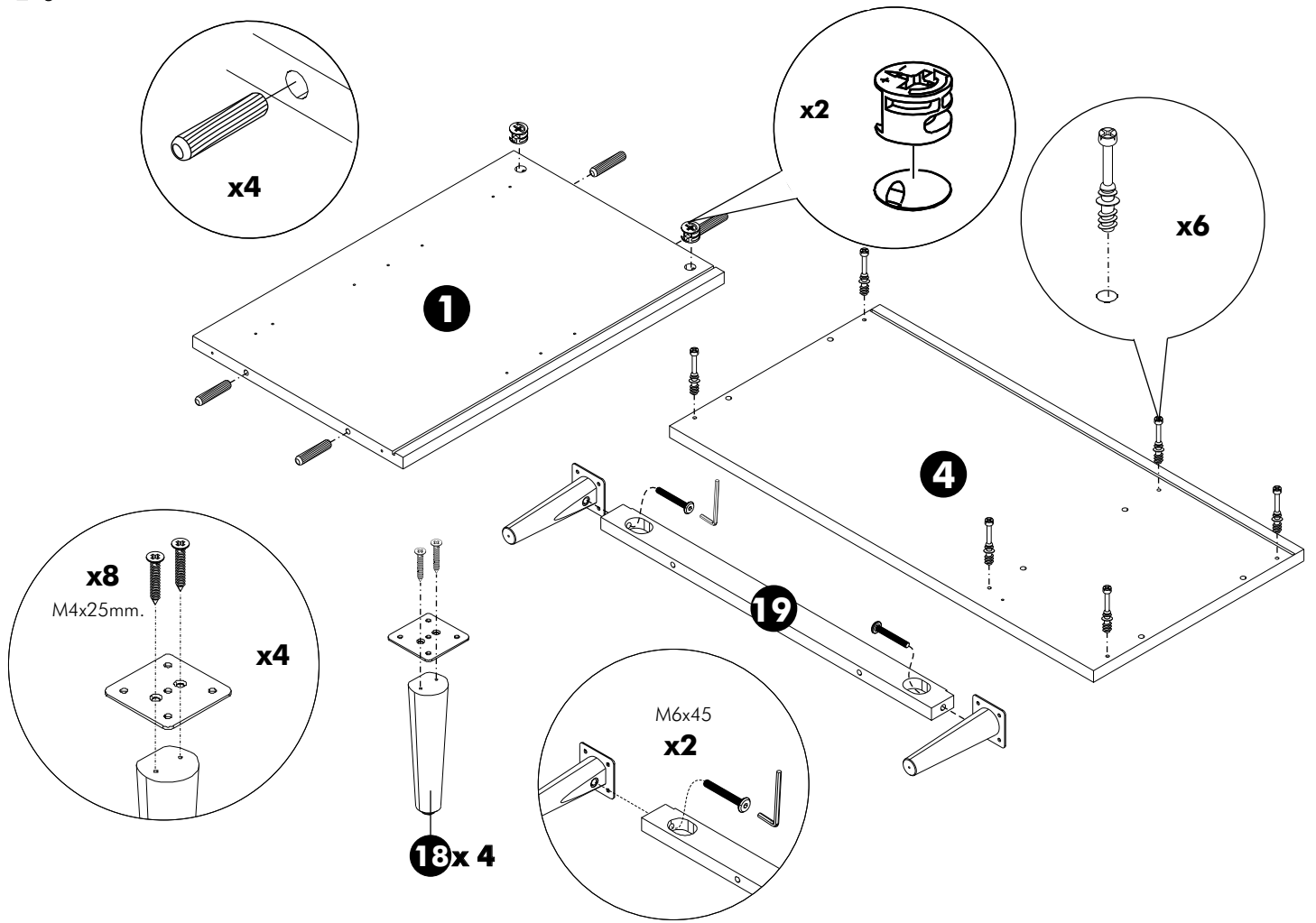


**x 4**

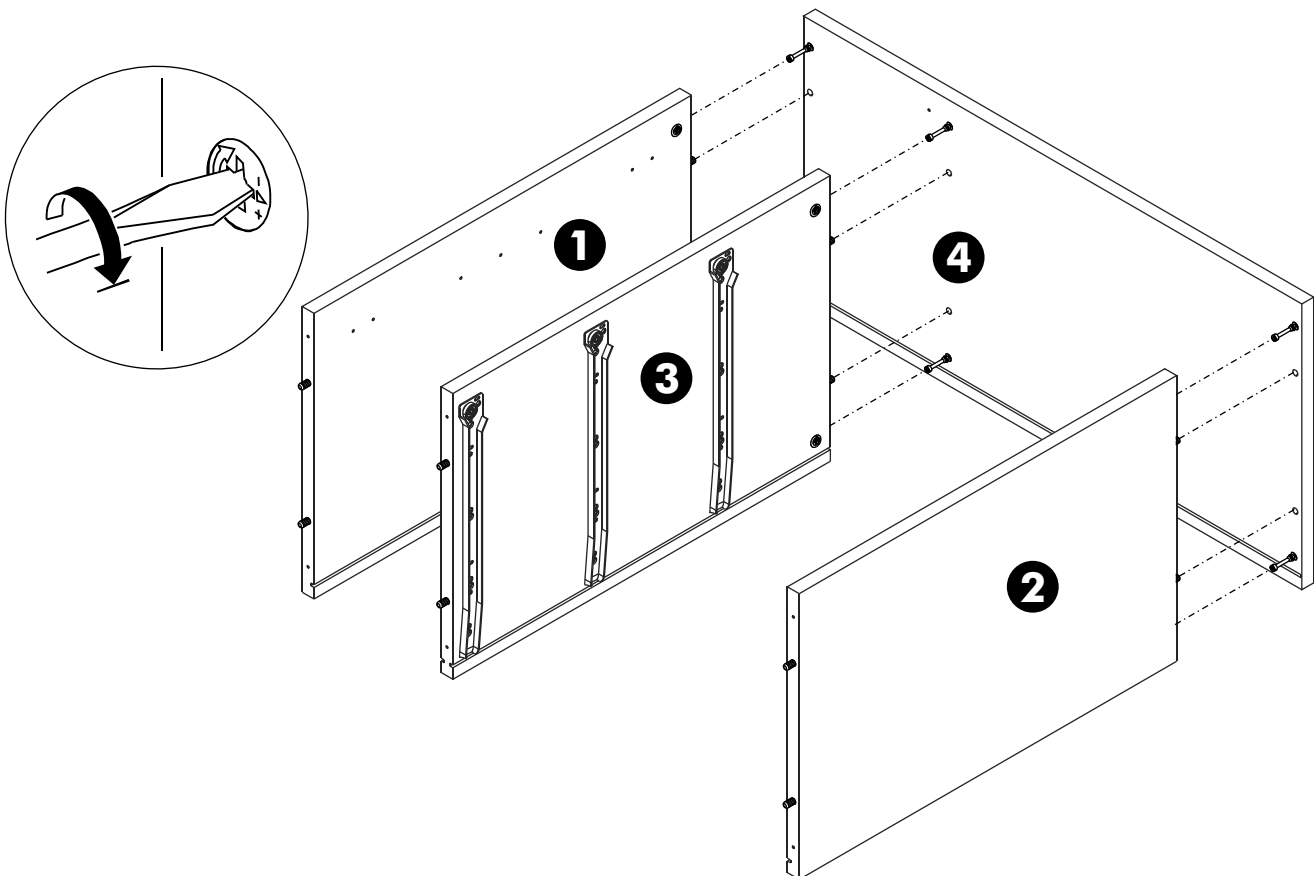


**x 1**

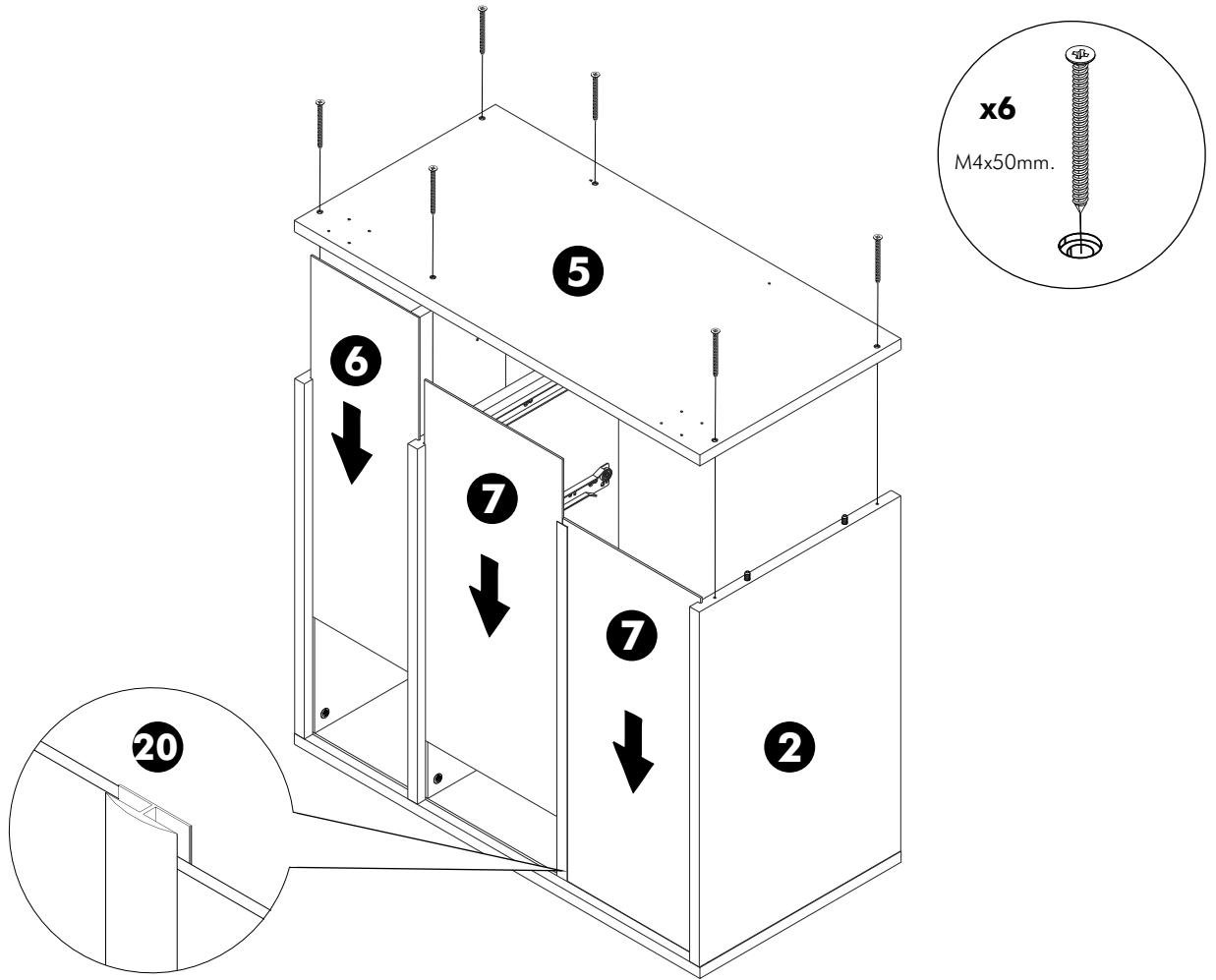
**1.**



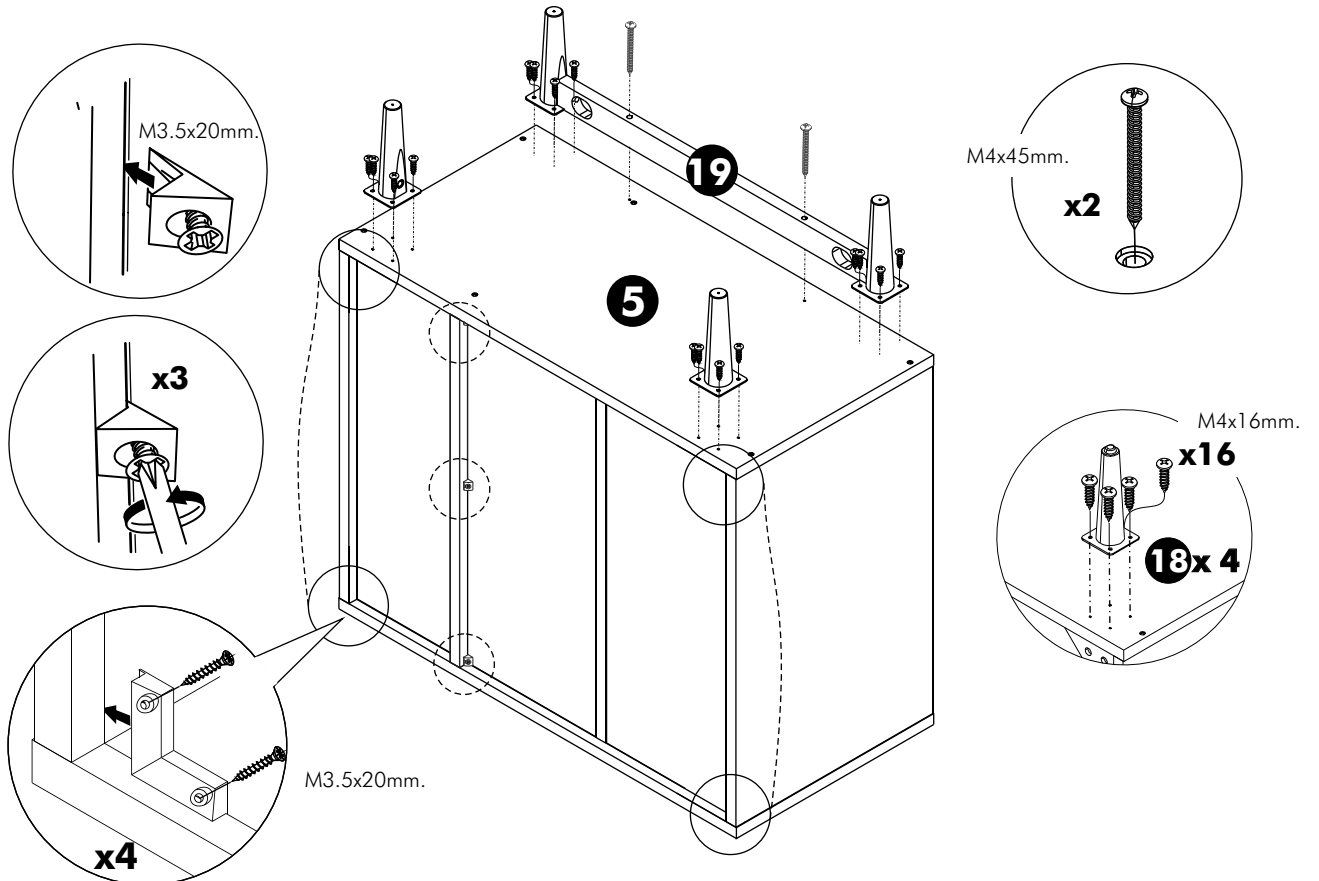
**2.**



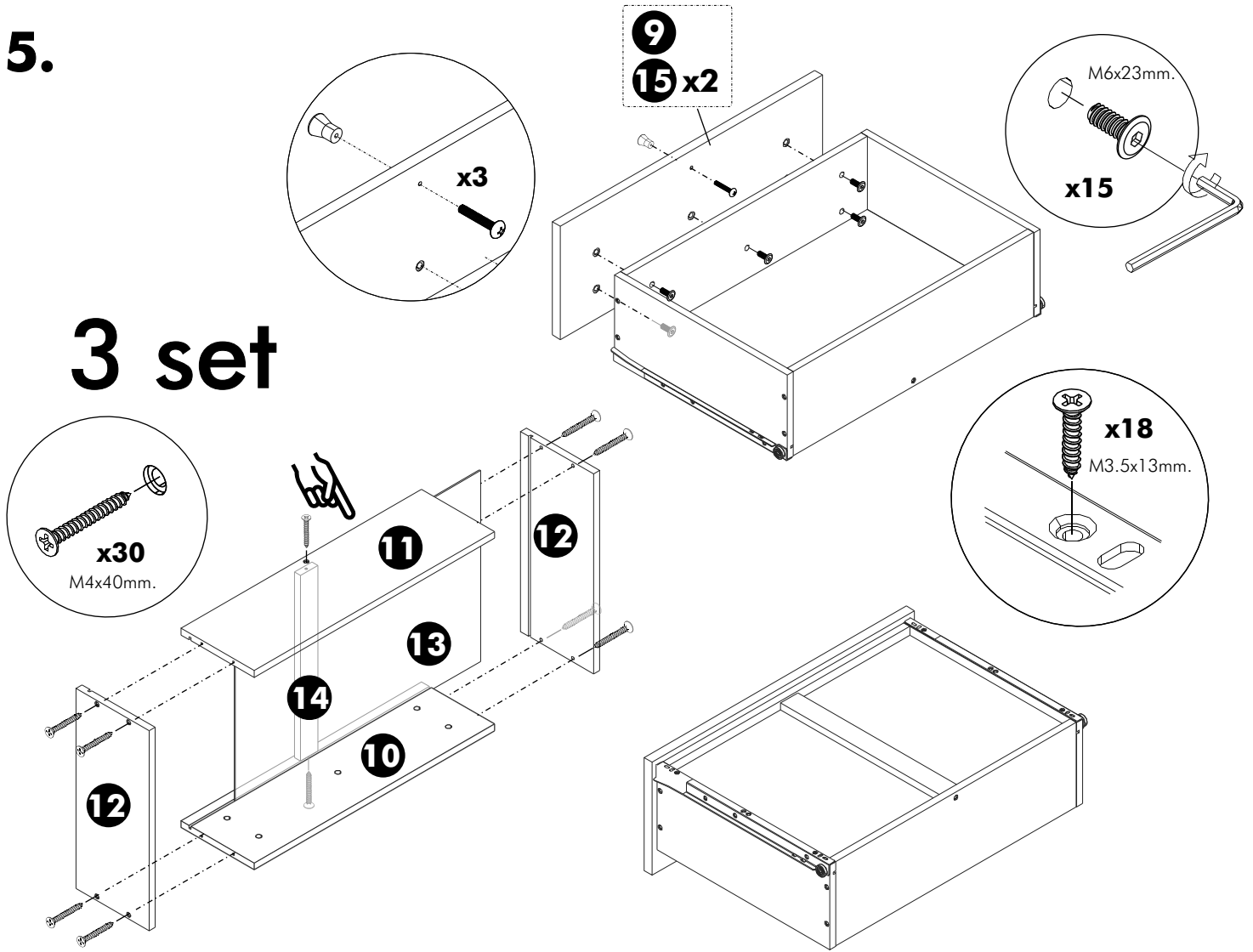
**3.**



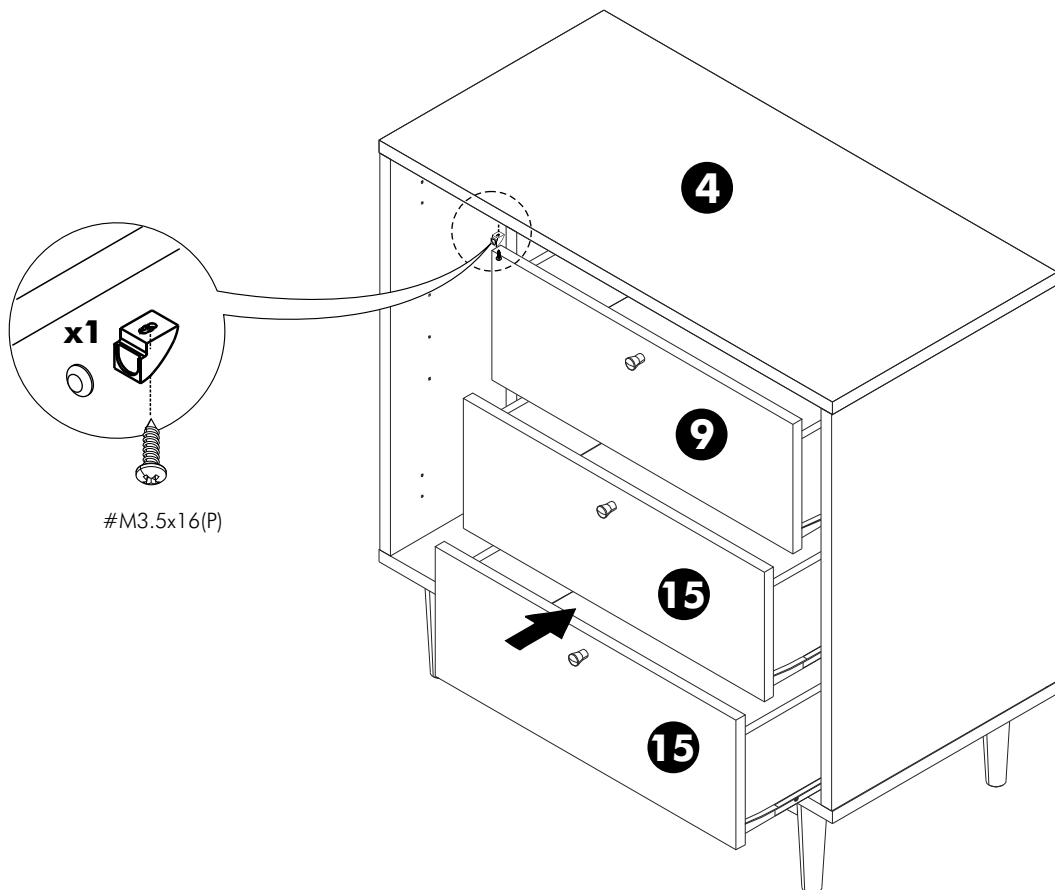
**4.**



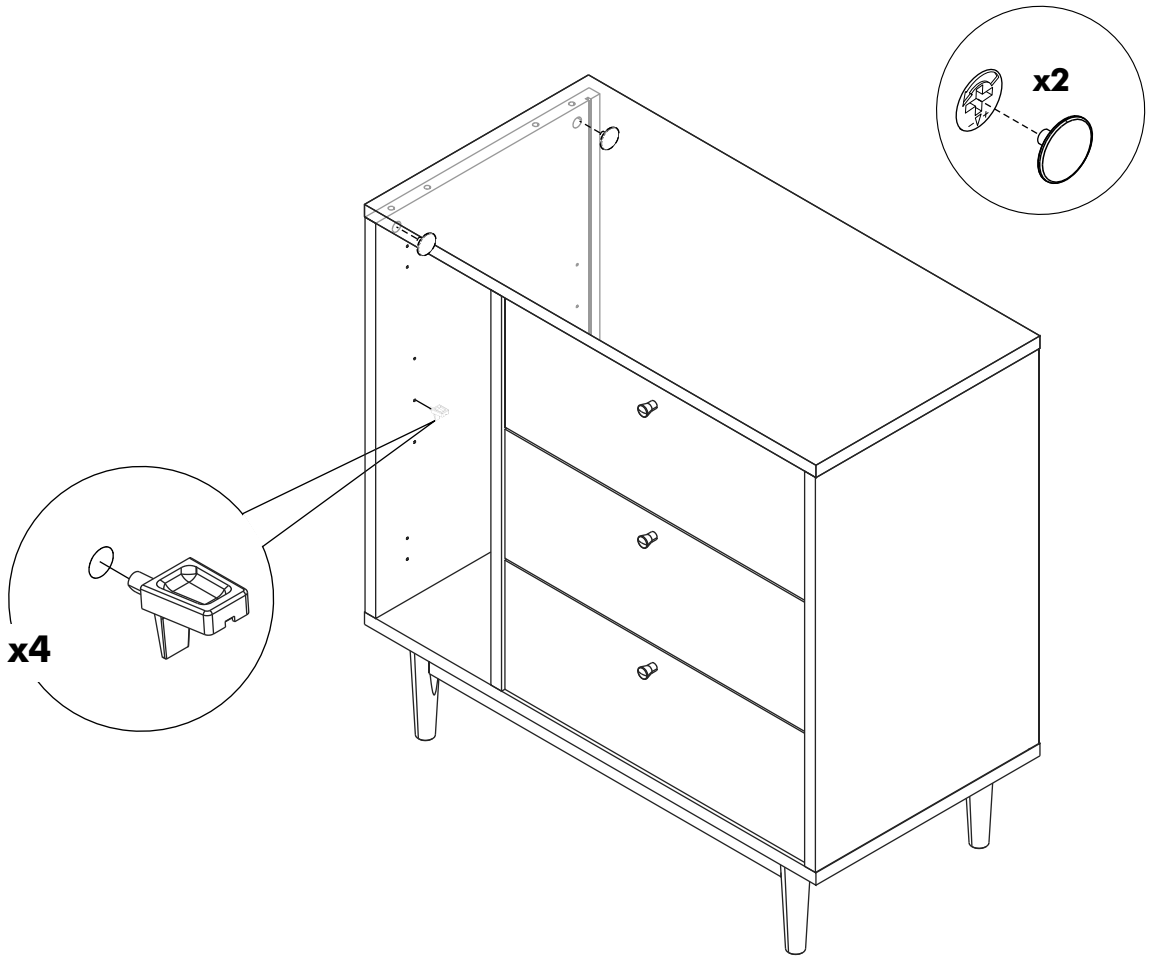
5.



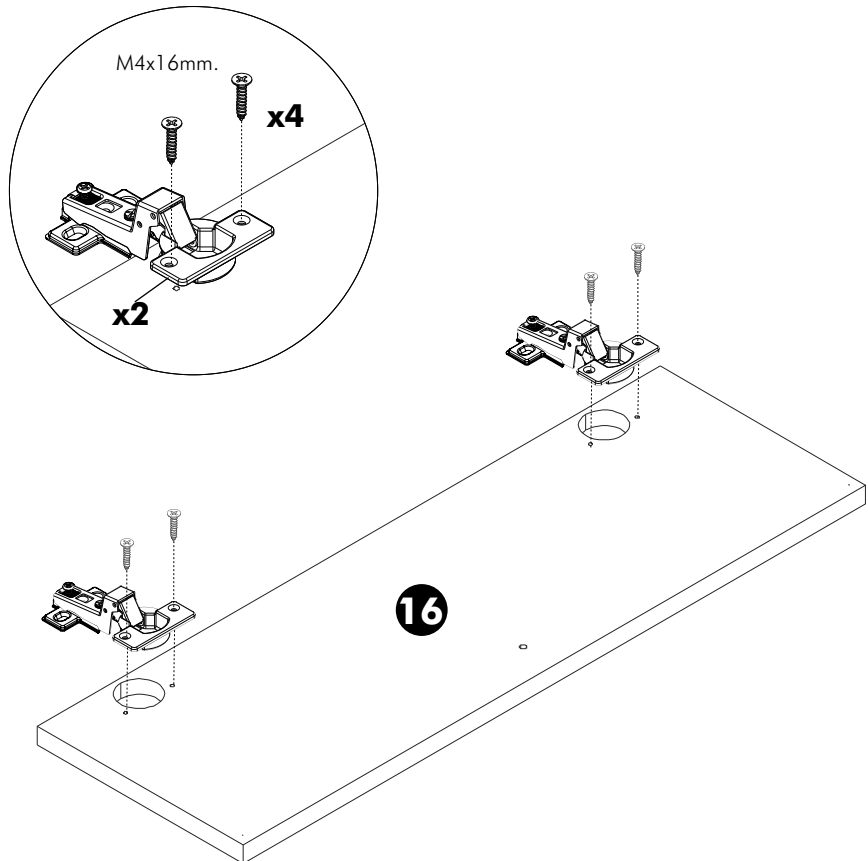
6.



**7.**



**8.**



# 10.

