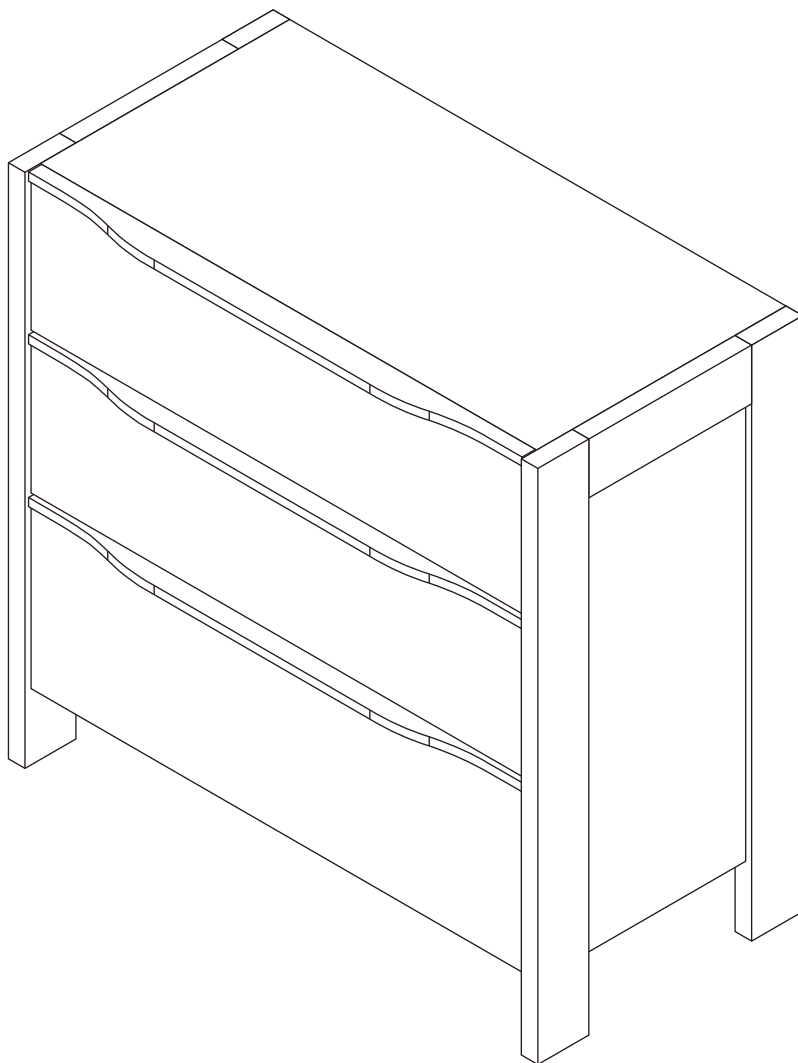
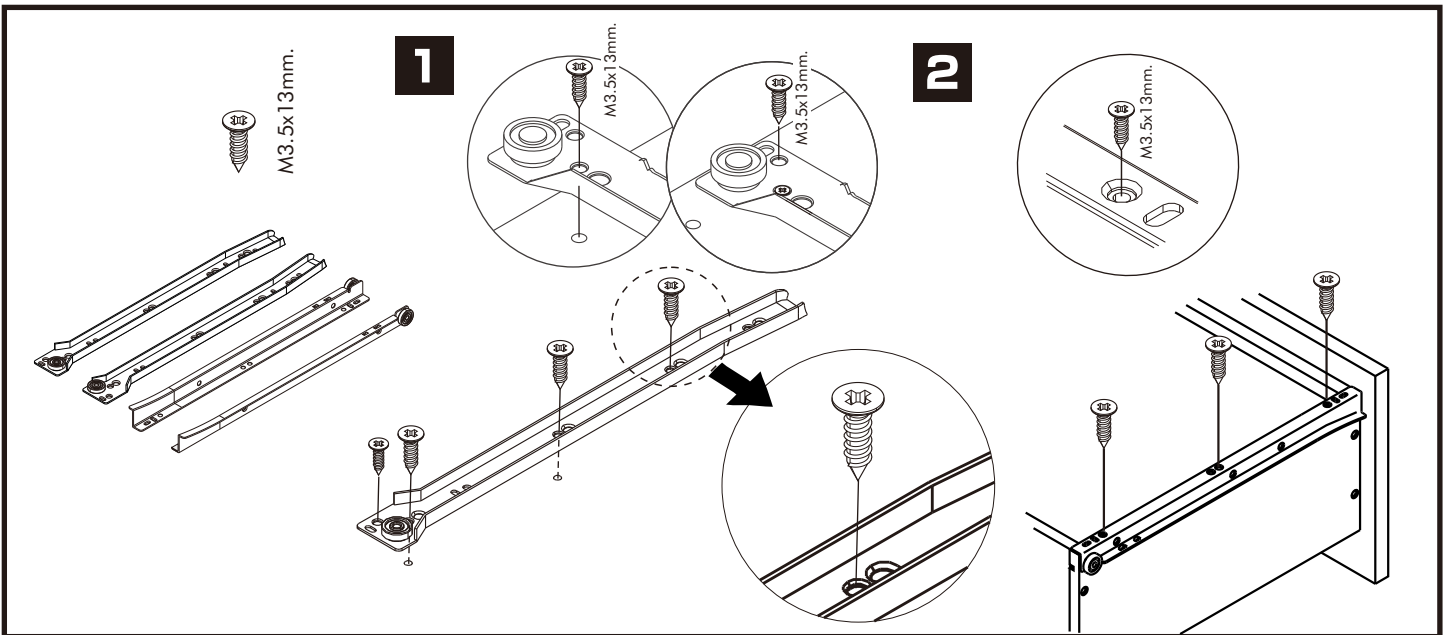
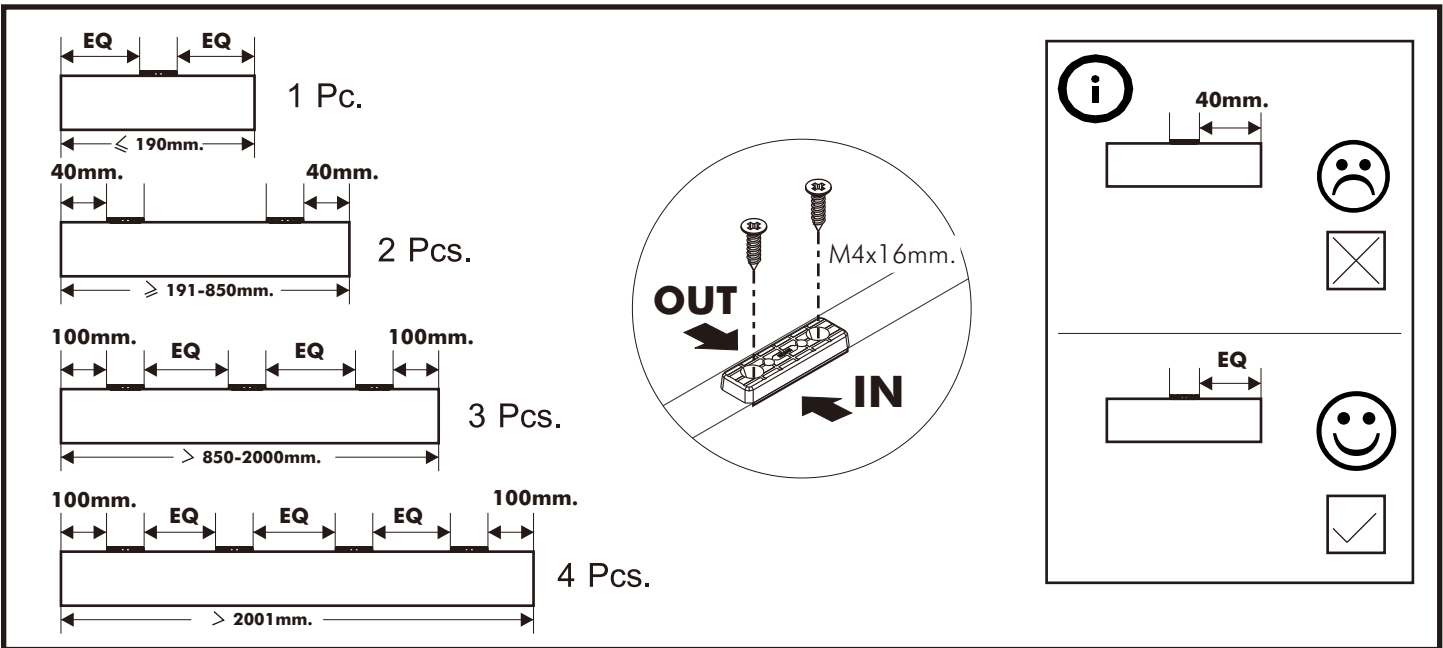
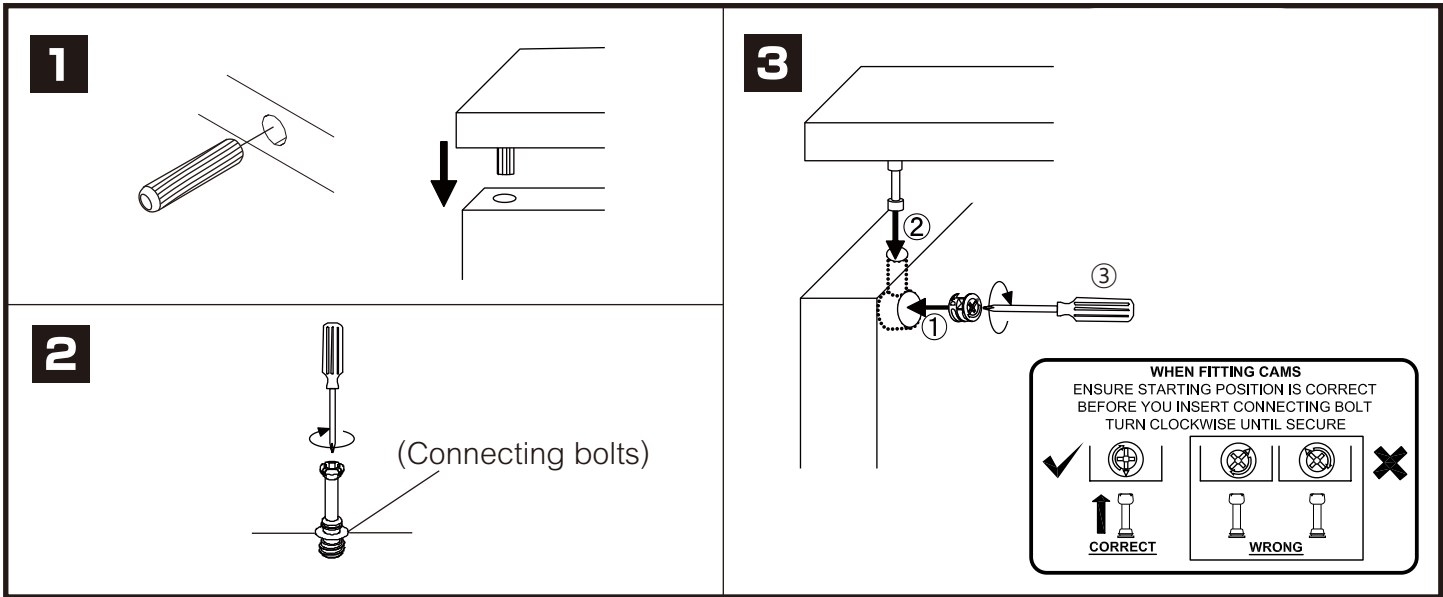


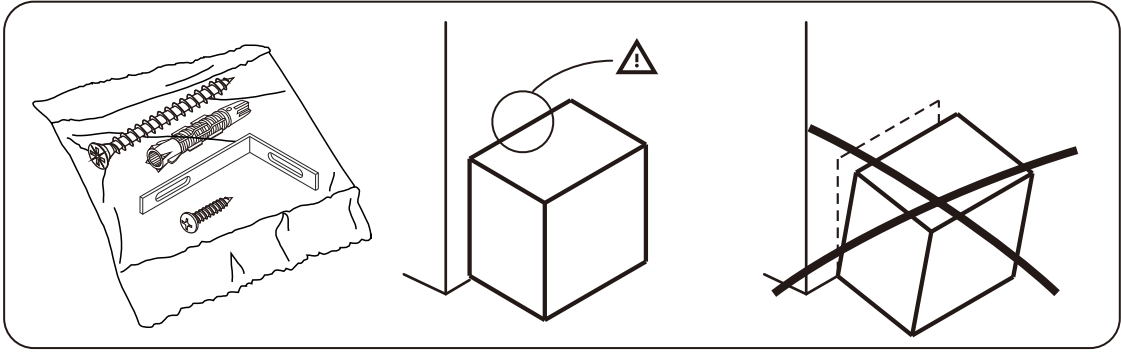
# STOCKHOLM-P

**Chest of 3 drawers**



# CONNECT SYSTEM

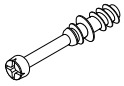






# HARDWARE

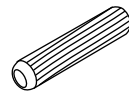
## -BODY SET



**x 21**

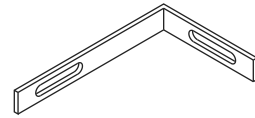


**x 21**



(8x35)

**x 18**



**x 1**



**x 6**



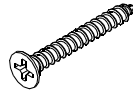
M4x20mm.

**x 6**



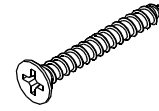
#F+M4x16

**x 8**



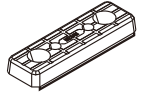
M4x30mm.

**x 3**



M4x40mm.

**x 30**

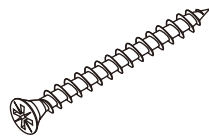


**x 4**



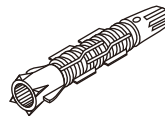
M4x16mm.

**x 12**



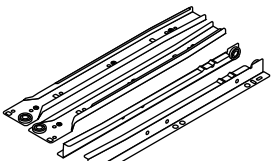
M5x50mm.

**x 1**



**x 1**

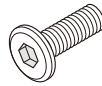
## -DRAWER SET



**x 3**

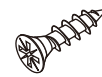


**x 1**



#TFL4 M6x23

**x 18**



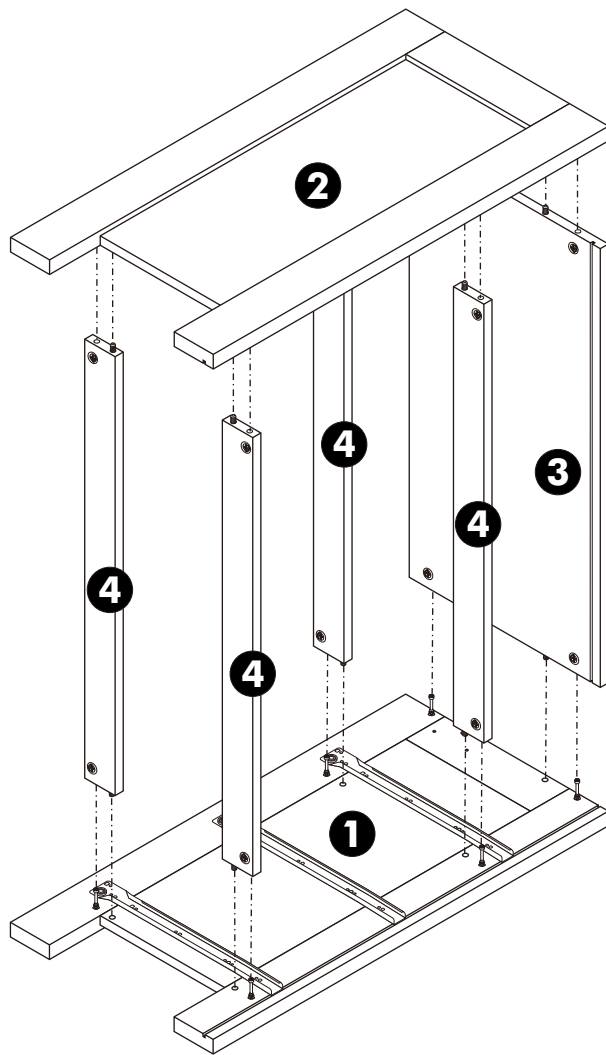
#F+M3.5x13

**x 42**

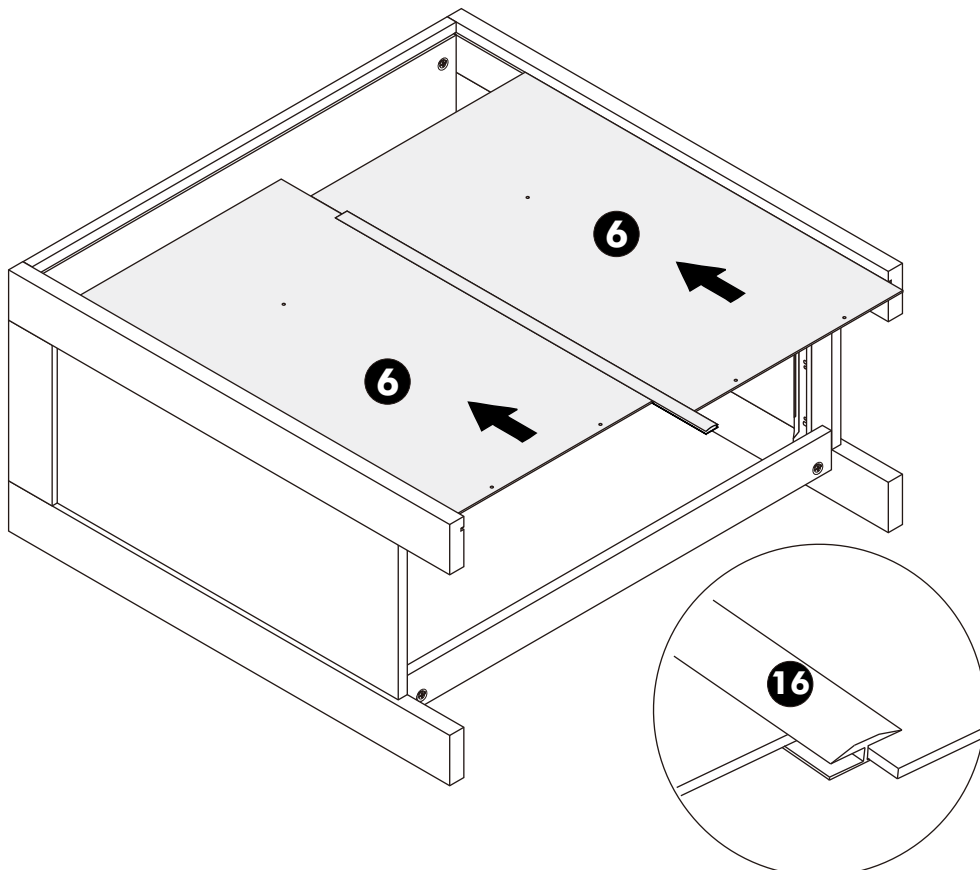
# ASSEMBLY

-BODY SET

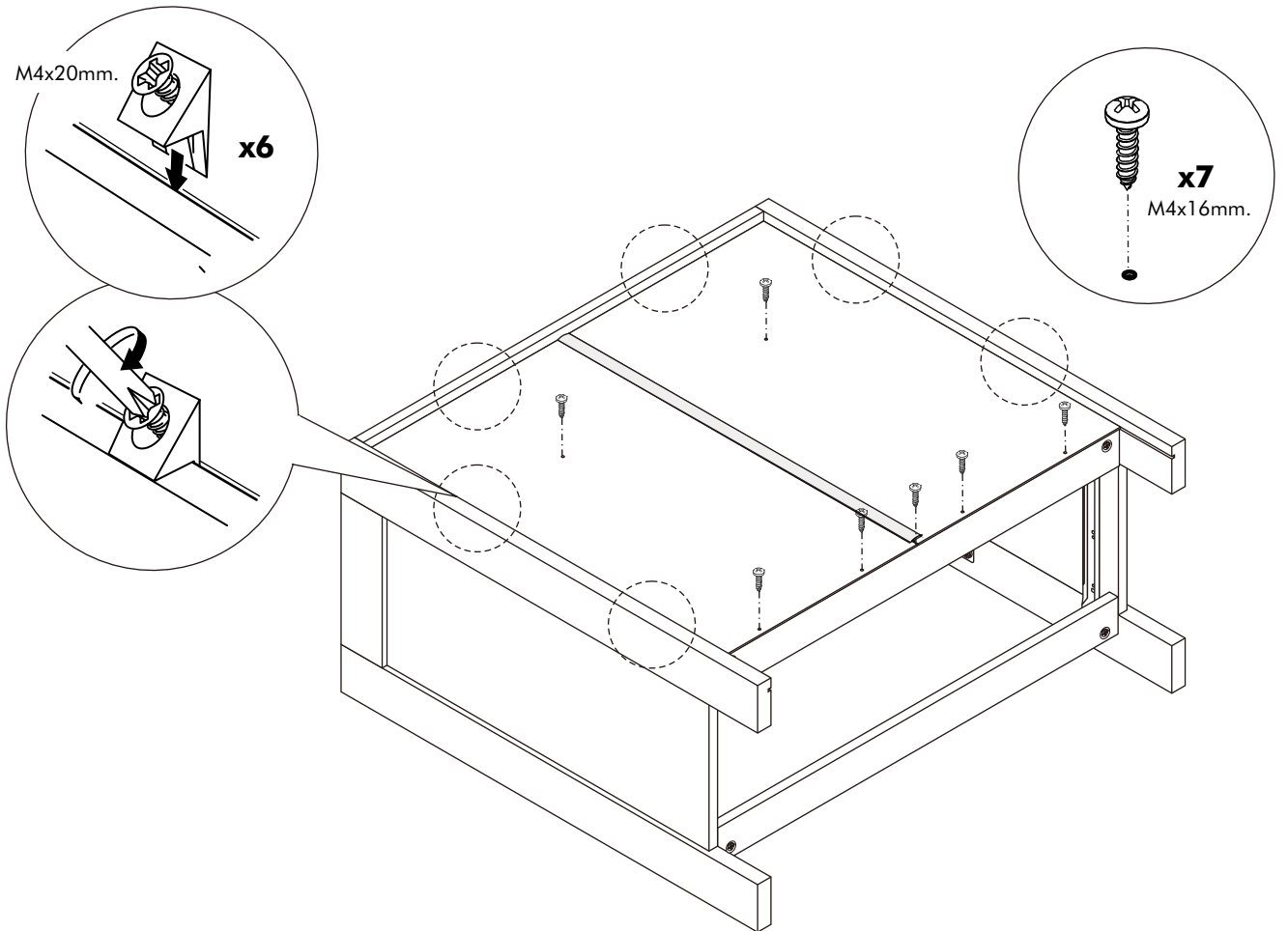
1.



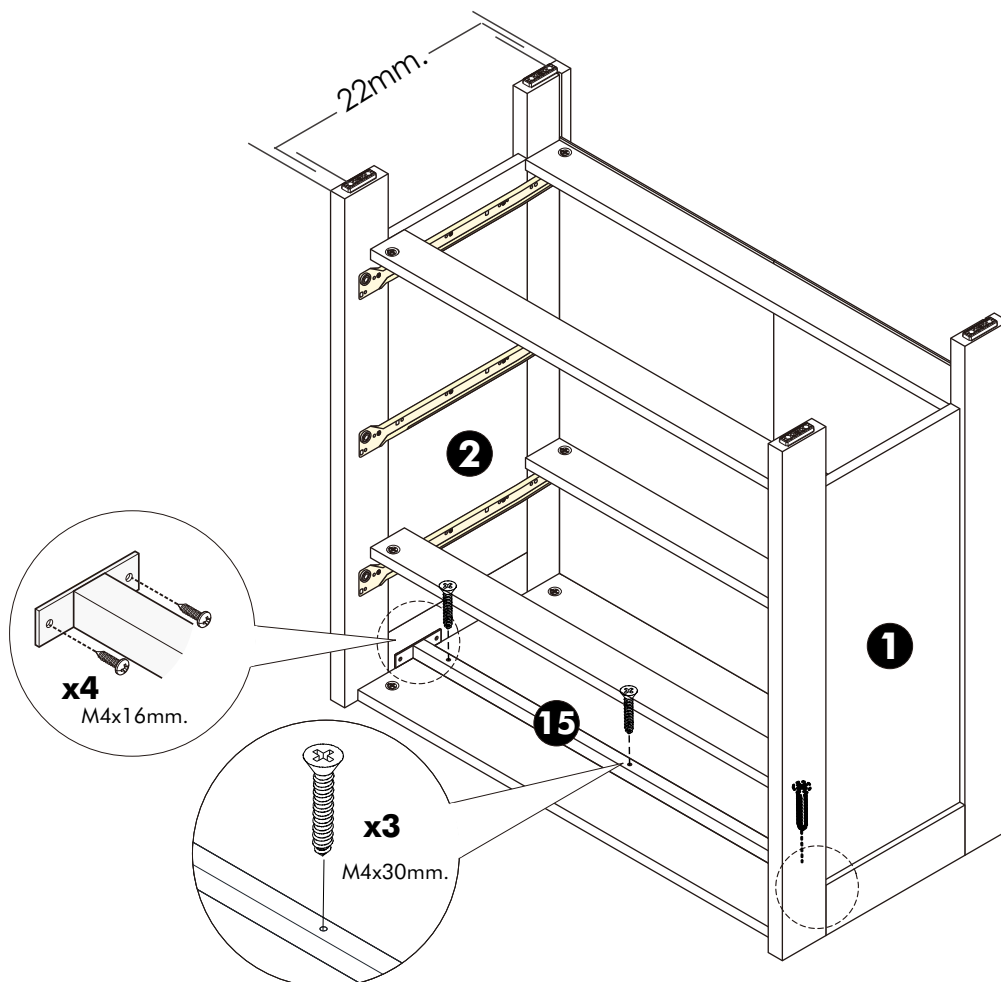
2.



**3.**



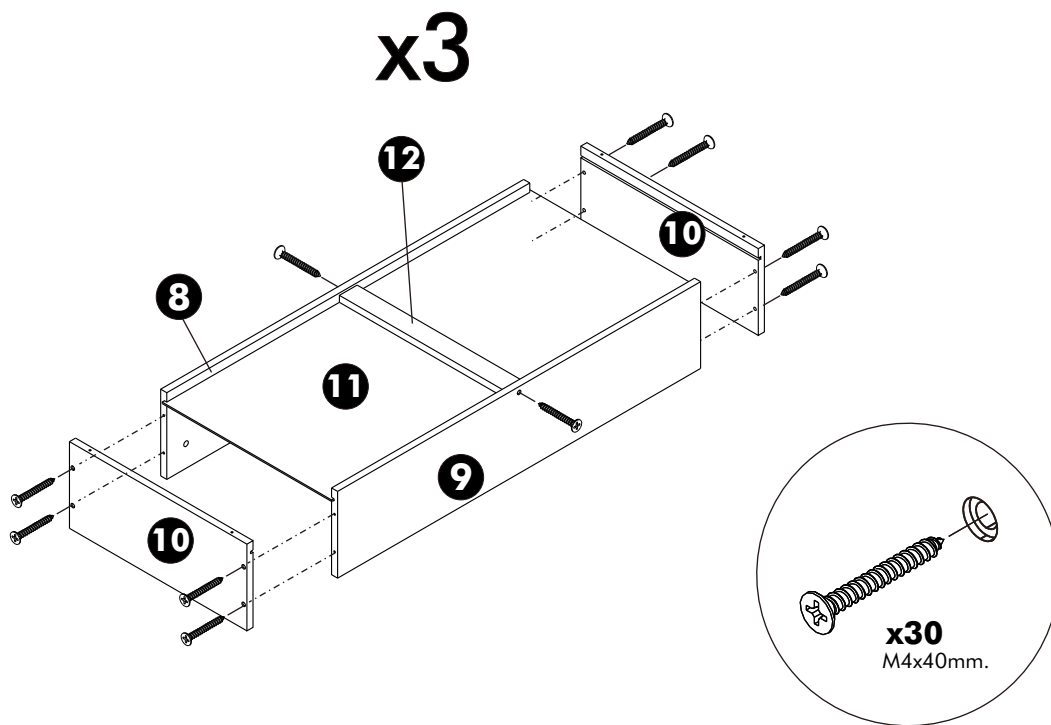
**4.**



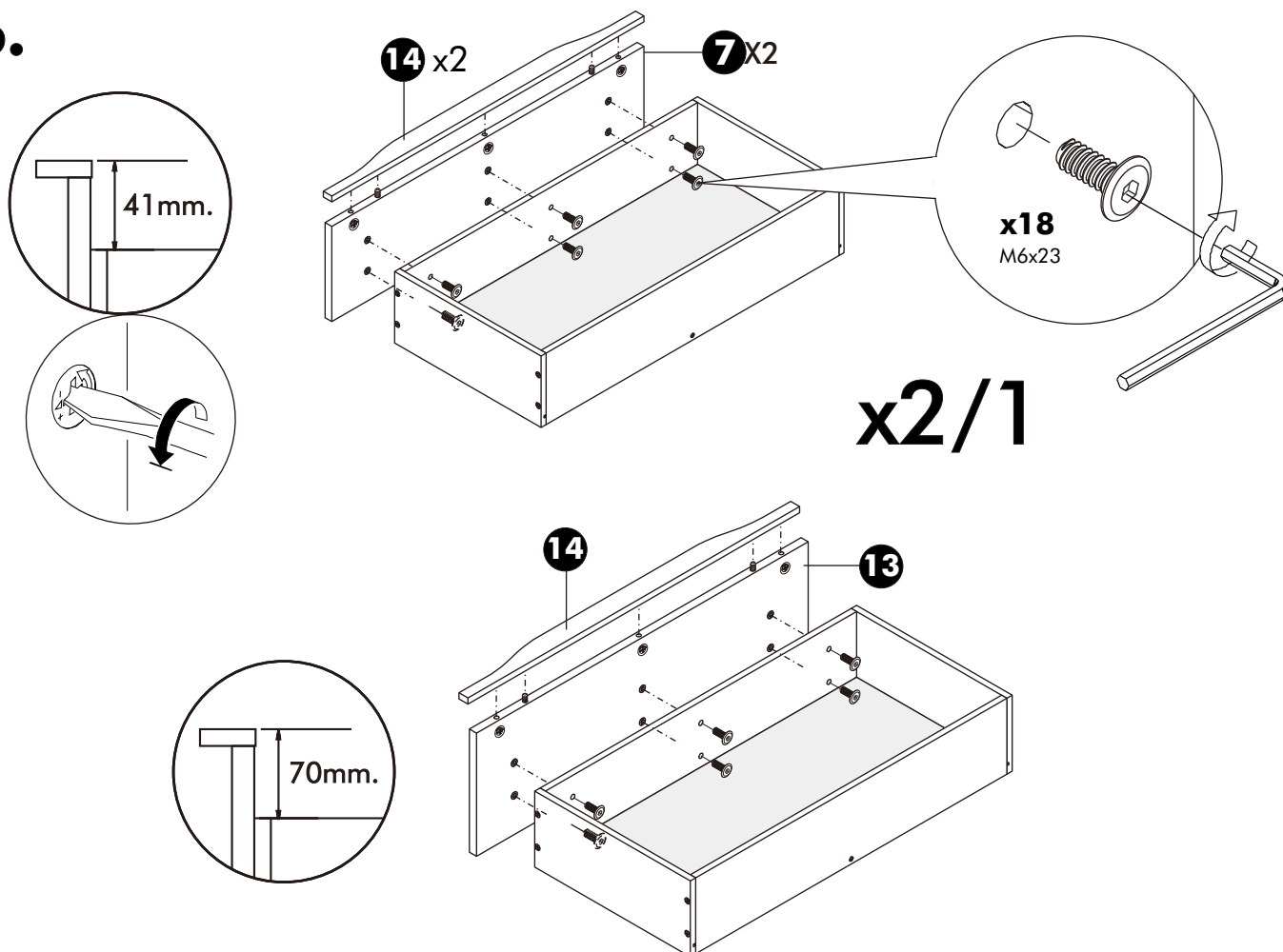
# ASSEMBLY

-DRAWER SET

## 5.



## 6.



# 7.

