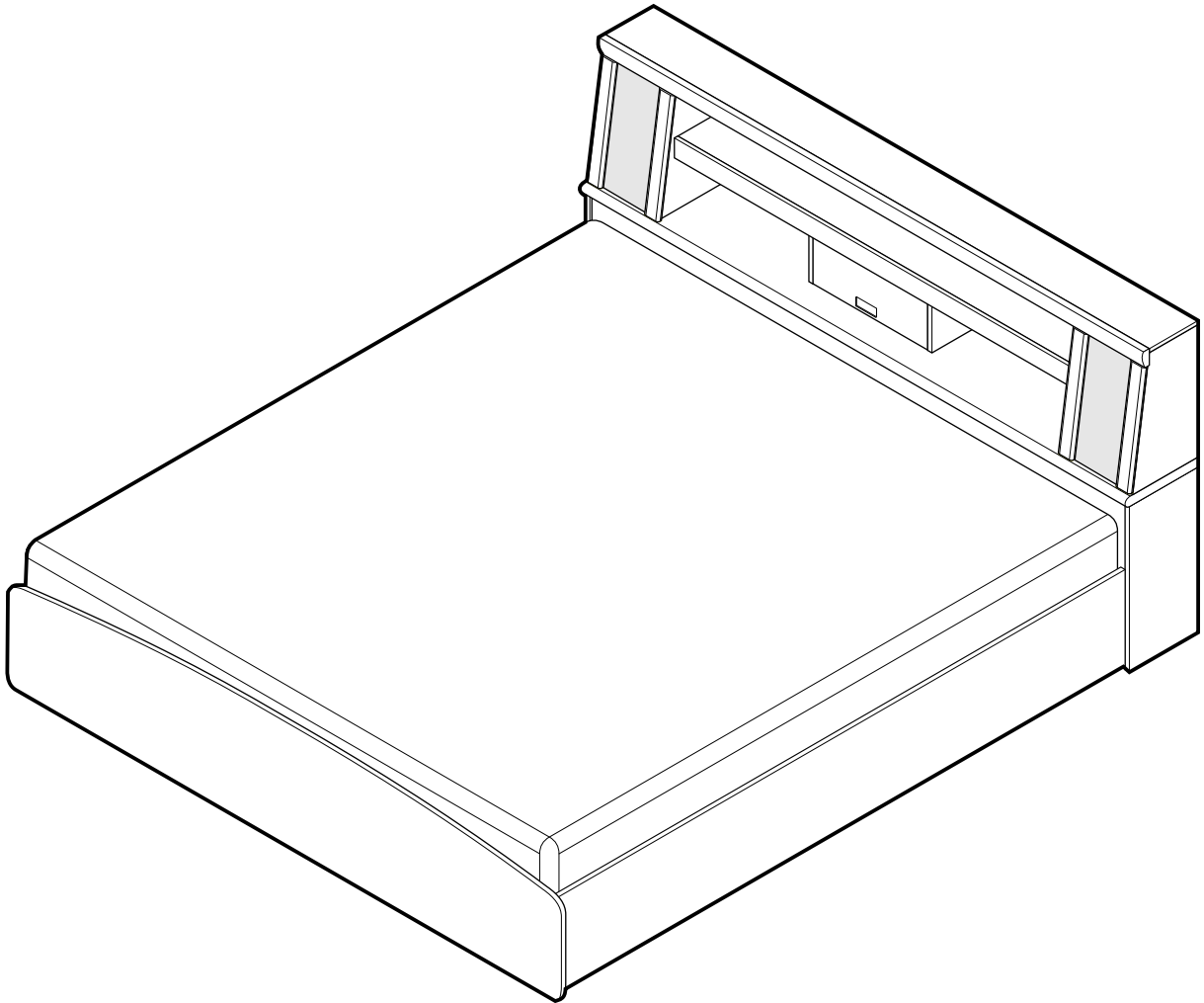
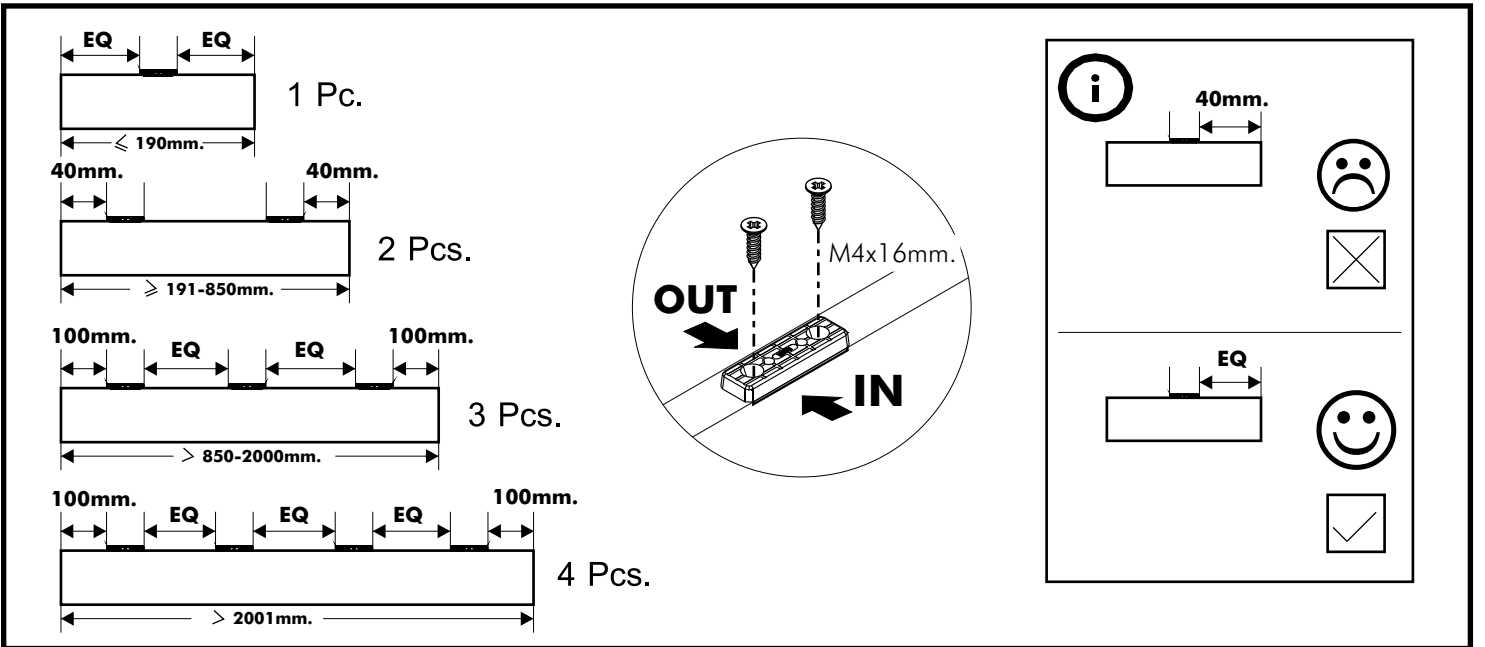
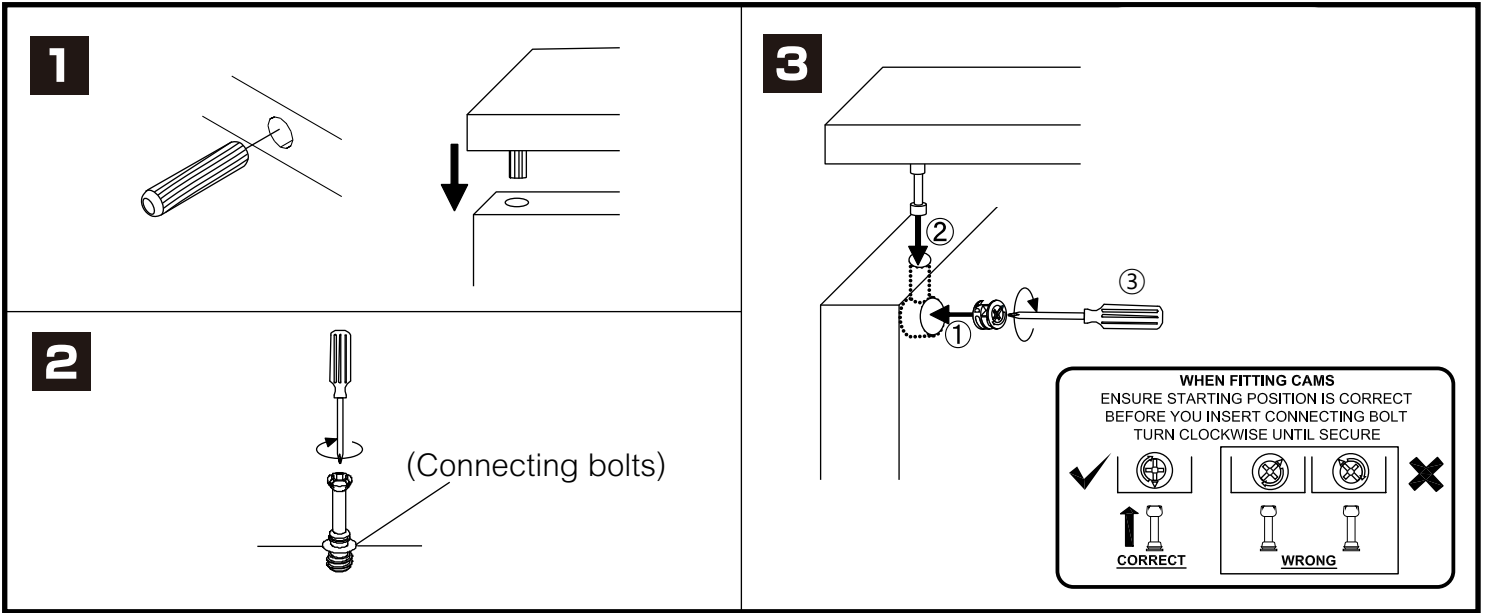


OPERA PLUS-P

BED 6 ft.

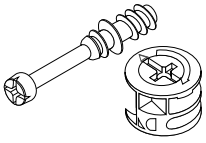


CONNECT SYSTEM

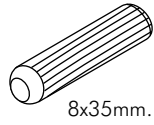


HARDWARE

-BODY SET

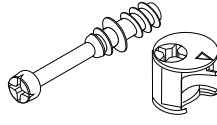


x 27/16

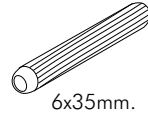


8x35mm.

x 40

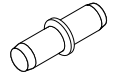


x 8/19

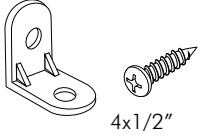


6x35mm.

x 26

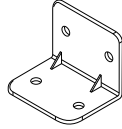


x 2



4x1/2"

x 7/14



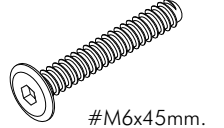
x 4



x 4



x 4



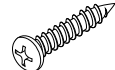
#M6x45mm.

x 4



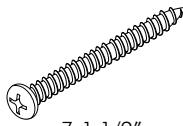
7x1/2"

x 16



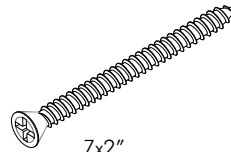
6x5/8"

x 11



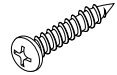
7x1 1/2"

x 13



7x2"

x 10



#M4x16mm.

x 8

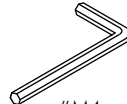


x 1



#M4x30mm.

x 12



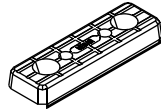
#M4

x 1

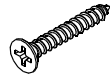


M4x16mm.

x 34



x 17



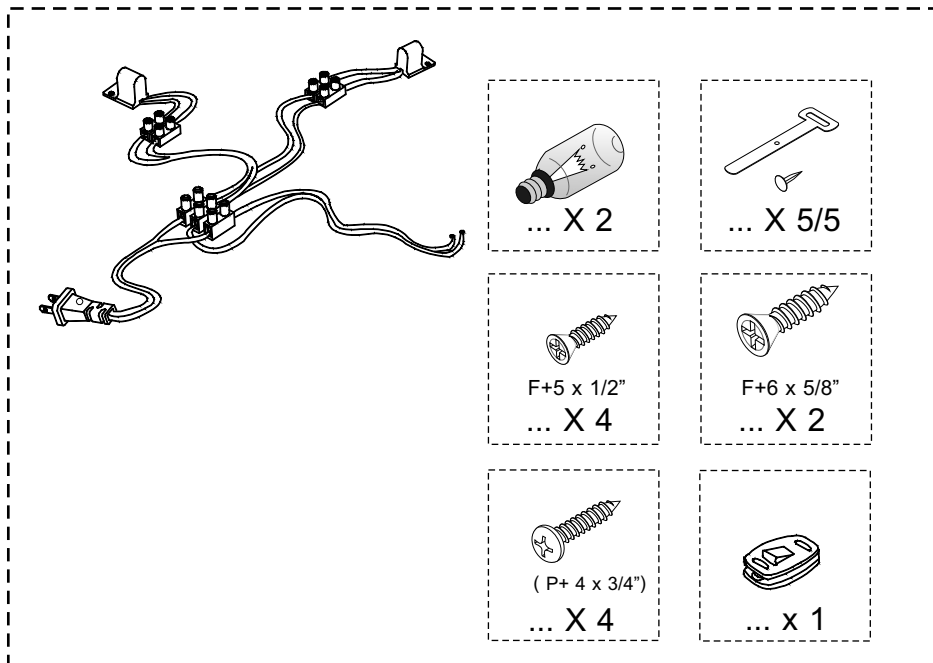
M4x30mm.

x 24

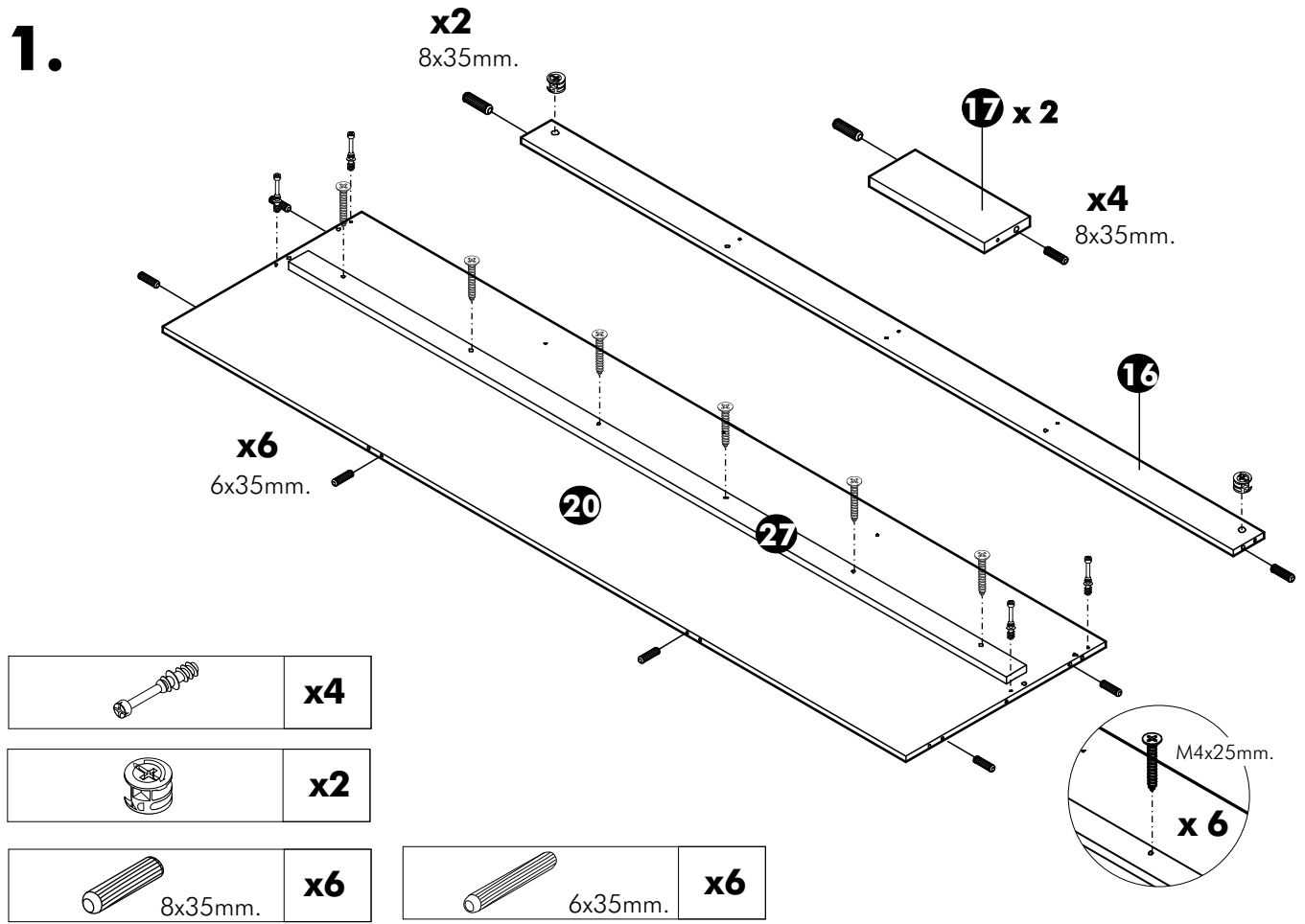


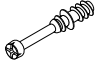
M4x25mm.


x 6



1.



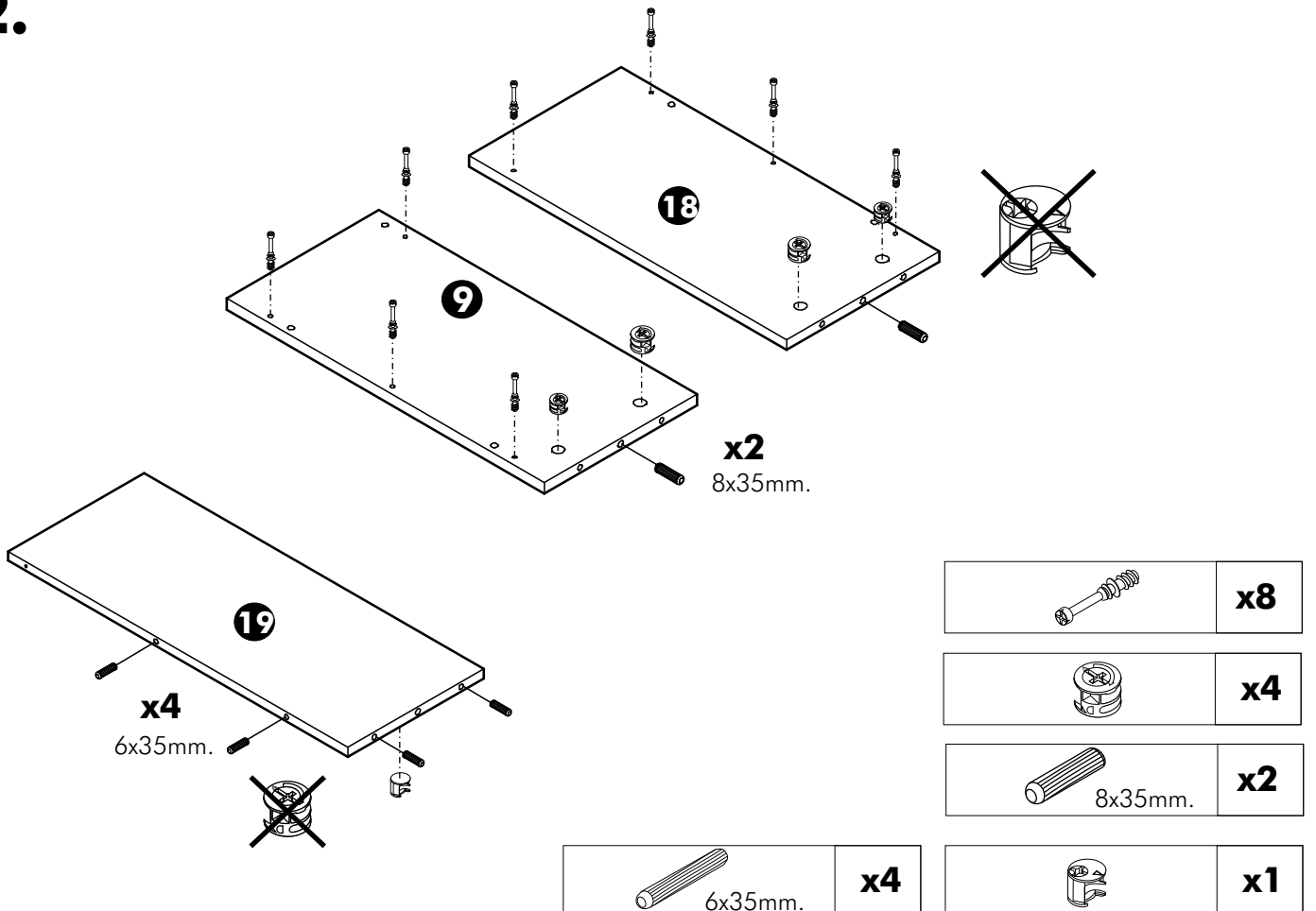
	x4
---	-----------

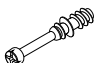
	x2
---	-----------


	x6
--	-----------

	x6
--	-----------


2.



	x8
---	-----------

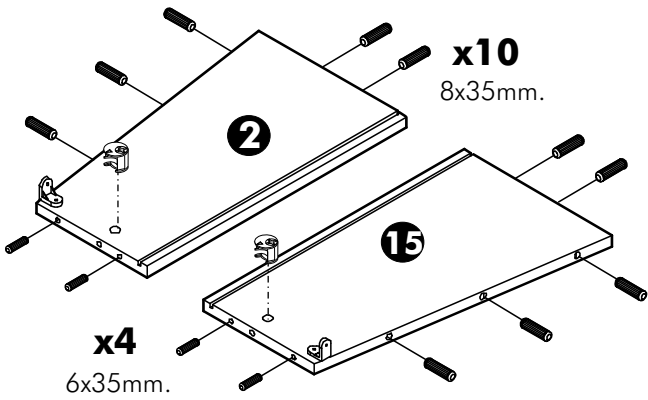
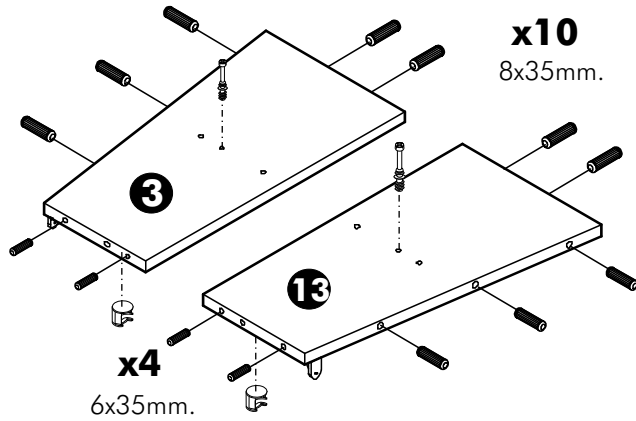
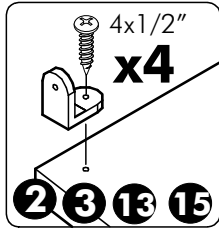
	x4
---	-----------

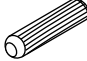
	x2
---	-----------


	x4
---	-----------

	x1
---	-----------



3.

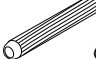


	8x35mm.	x20
---	---------	------------

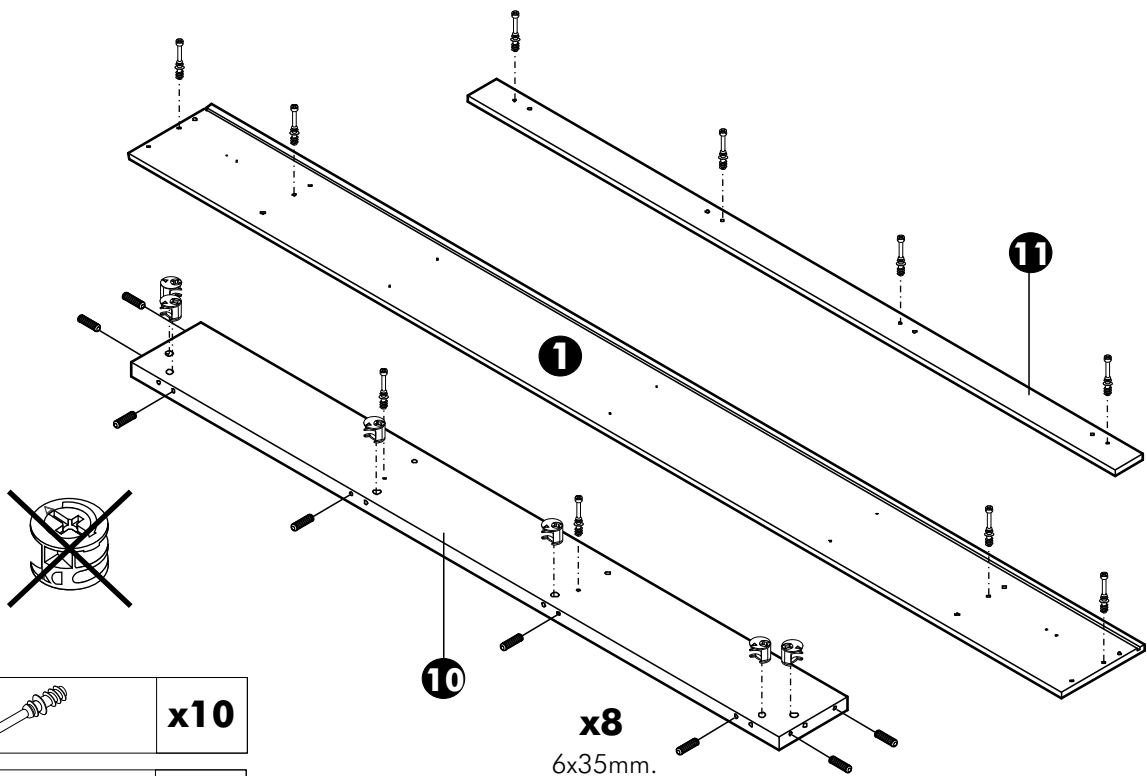
		x2
---	--	-----------

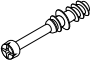
		x4
---	--	-----------

		4x1/2" x4/4
--	---	--------------------


	6x35mm.	x8
--	---------	-----------

4.

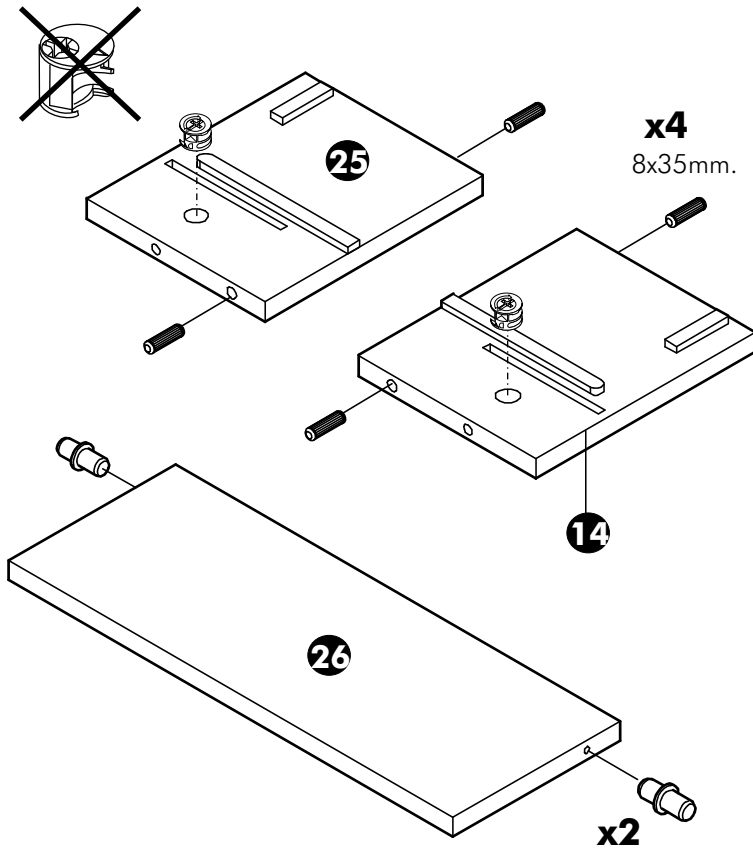



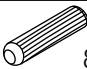
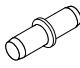
	x10
---	------------

	x6
---	-----------

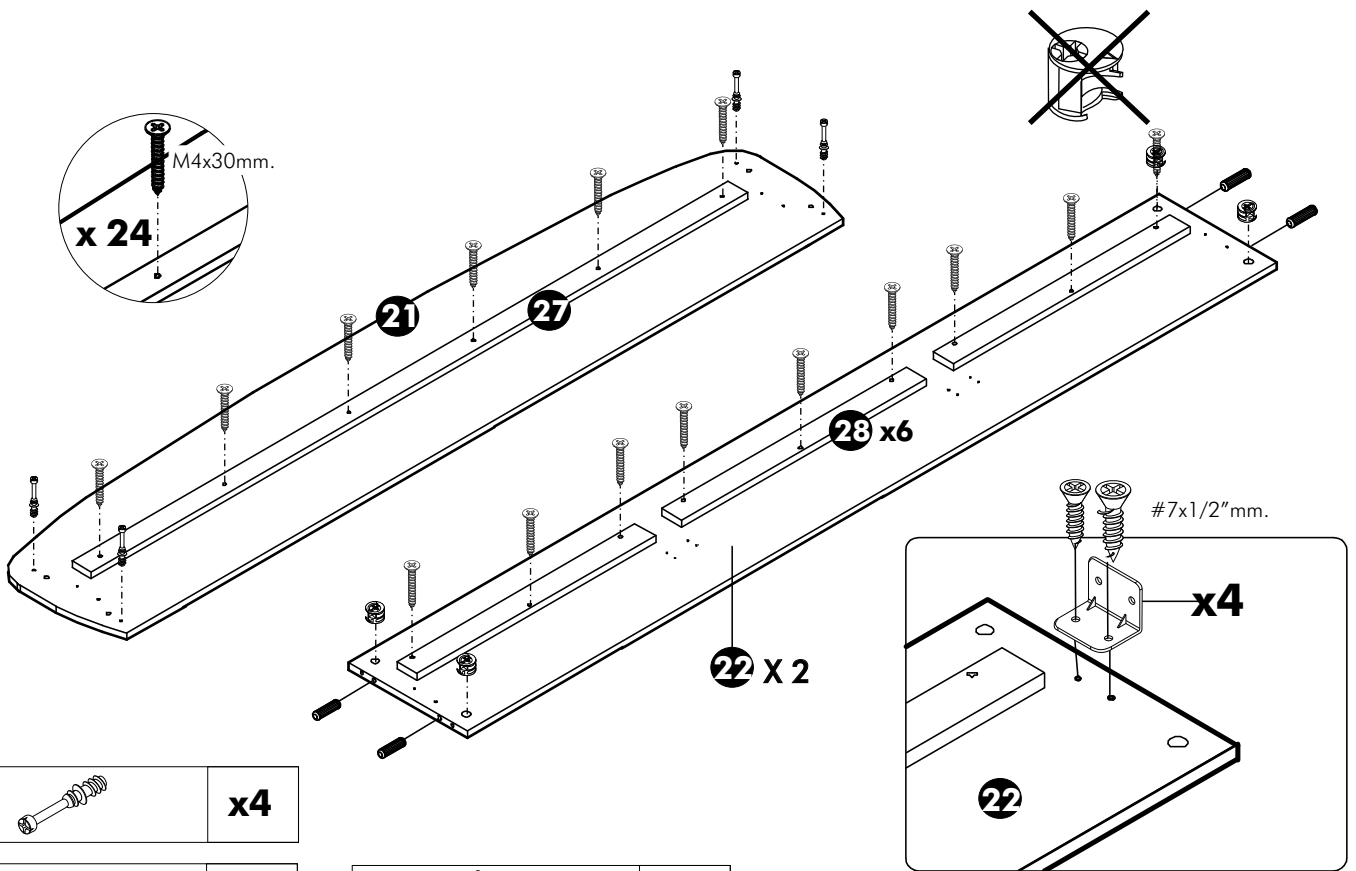
	6x35mm. x8
---	-------------------

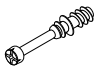
5.



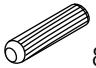
	x2
	x4
	x2


6.

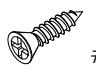


	x4
---	-----------

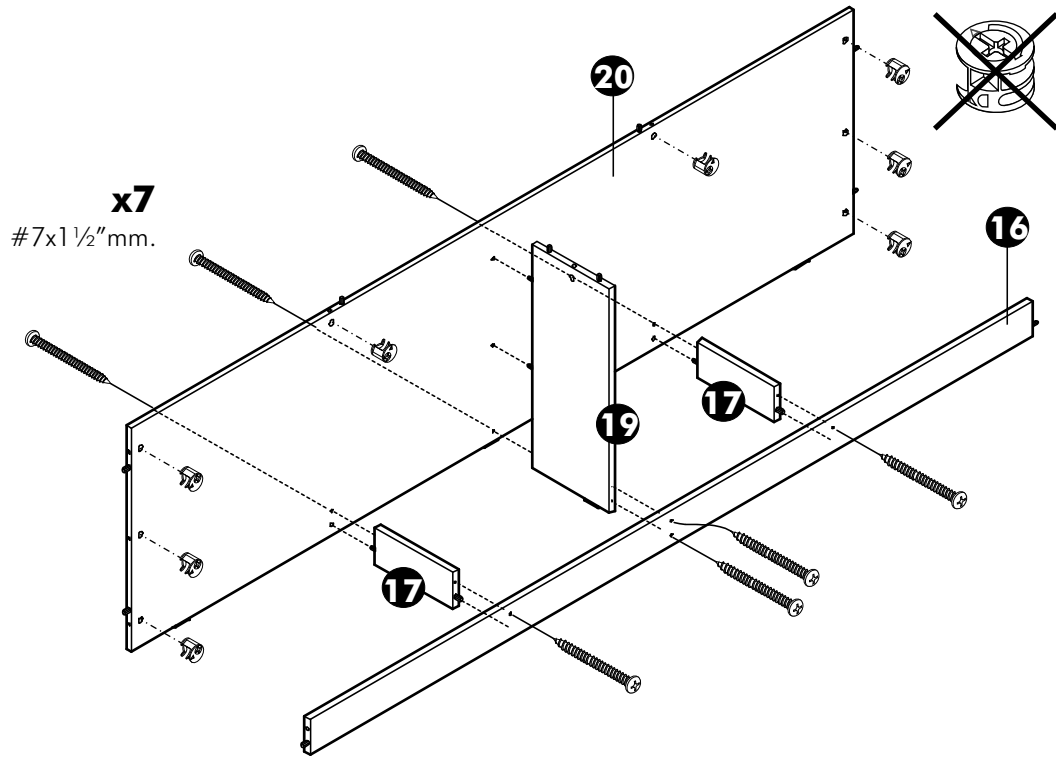
	x8
---	-----------


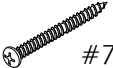
	x8
---	-----------

	x4
---	-----------

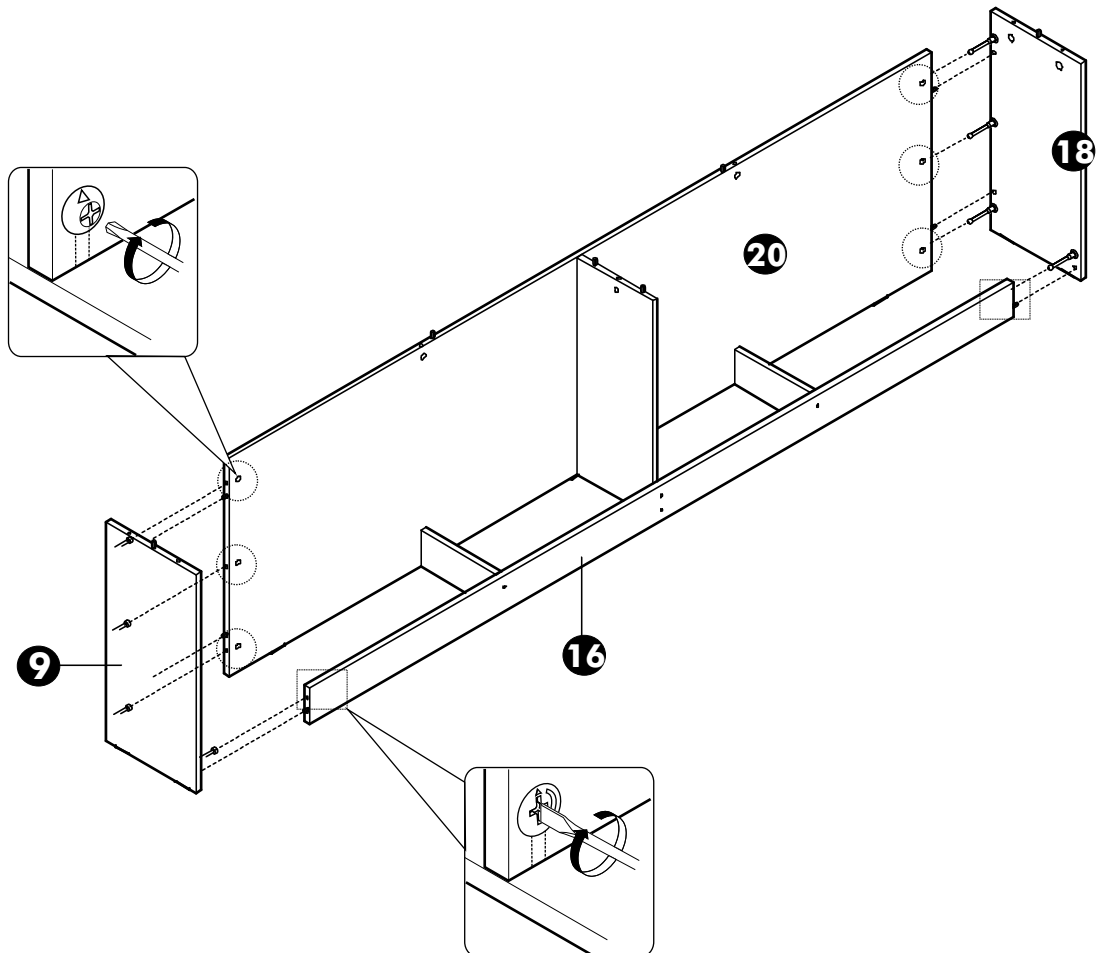
	x8
---	-----------

7.

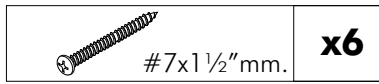
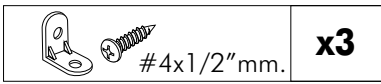
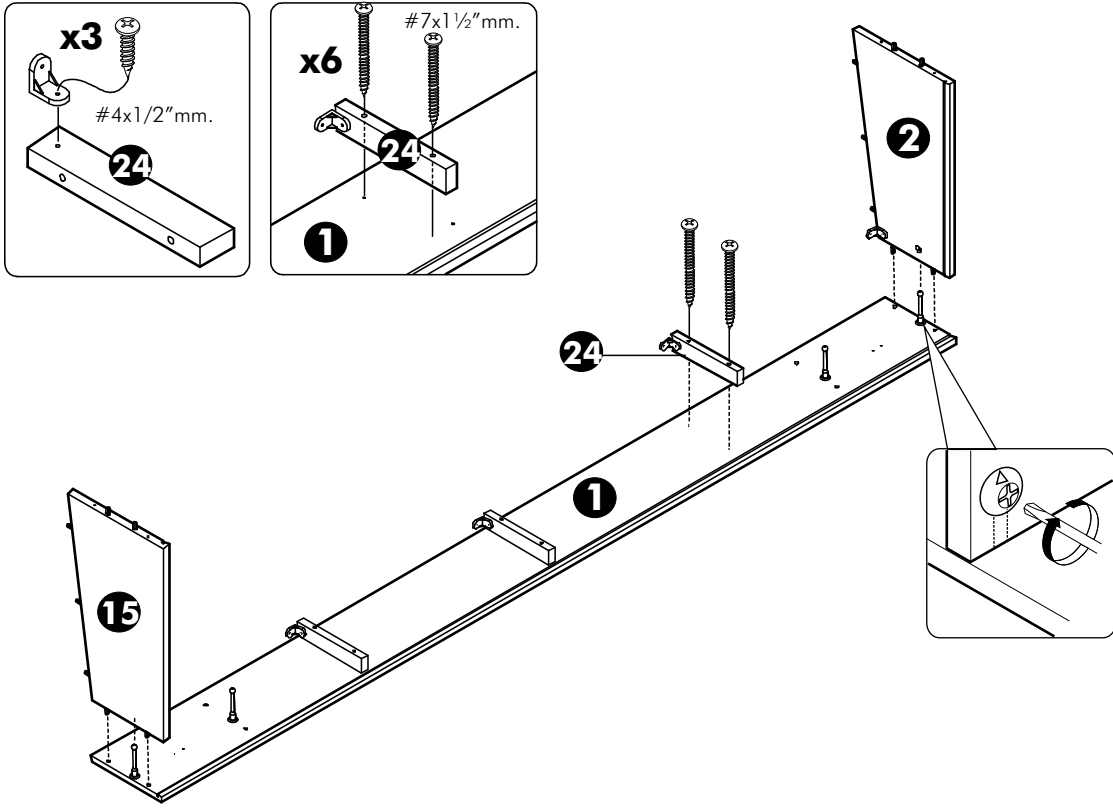


	x8		#7x1 1/2"mm.	x7
--	-----------	--	--------------	-----------

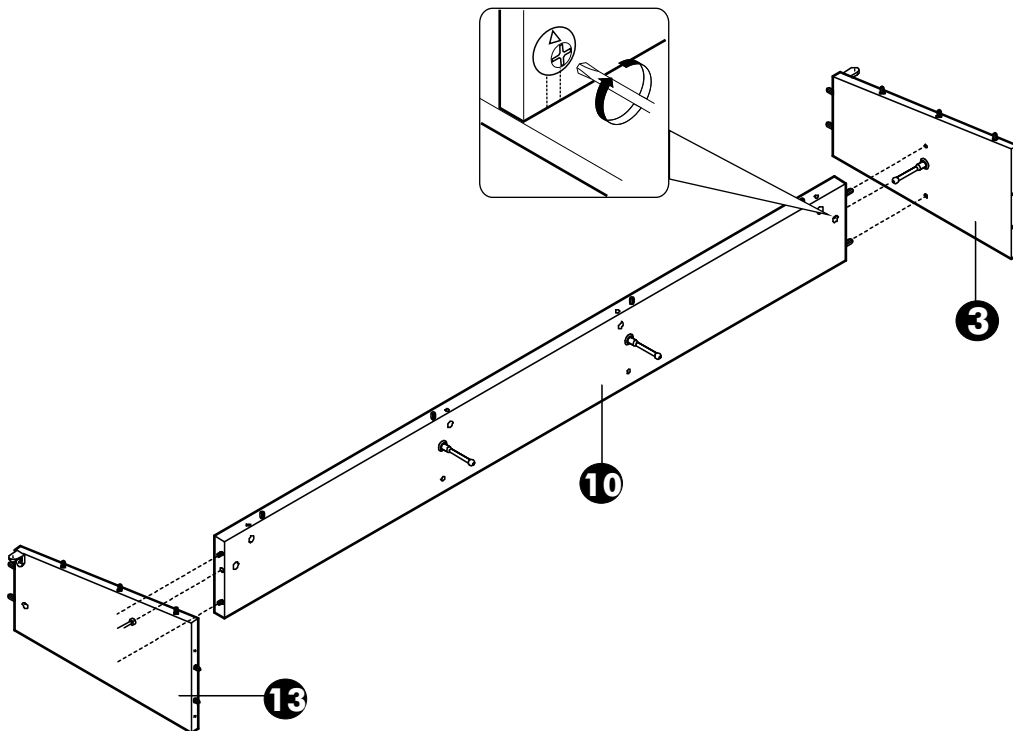
8.



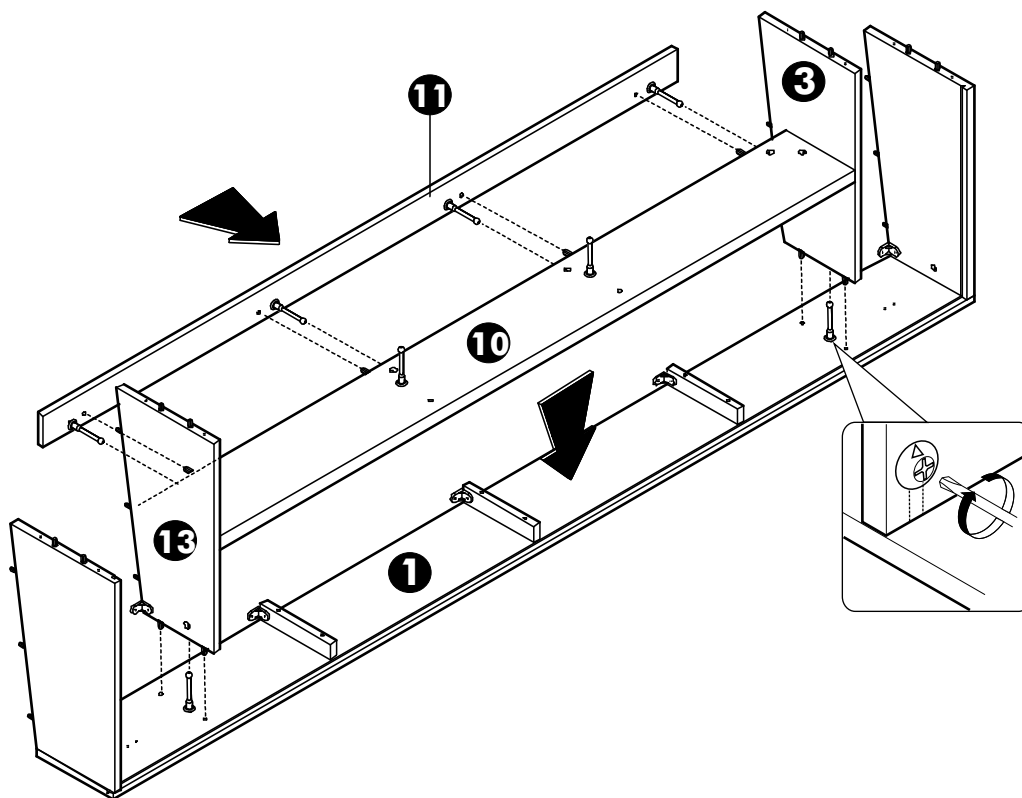
9.



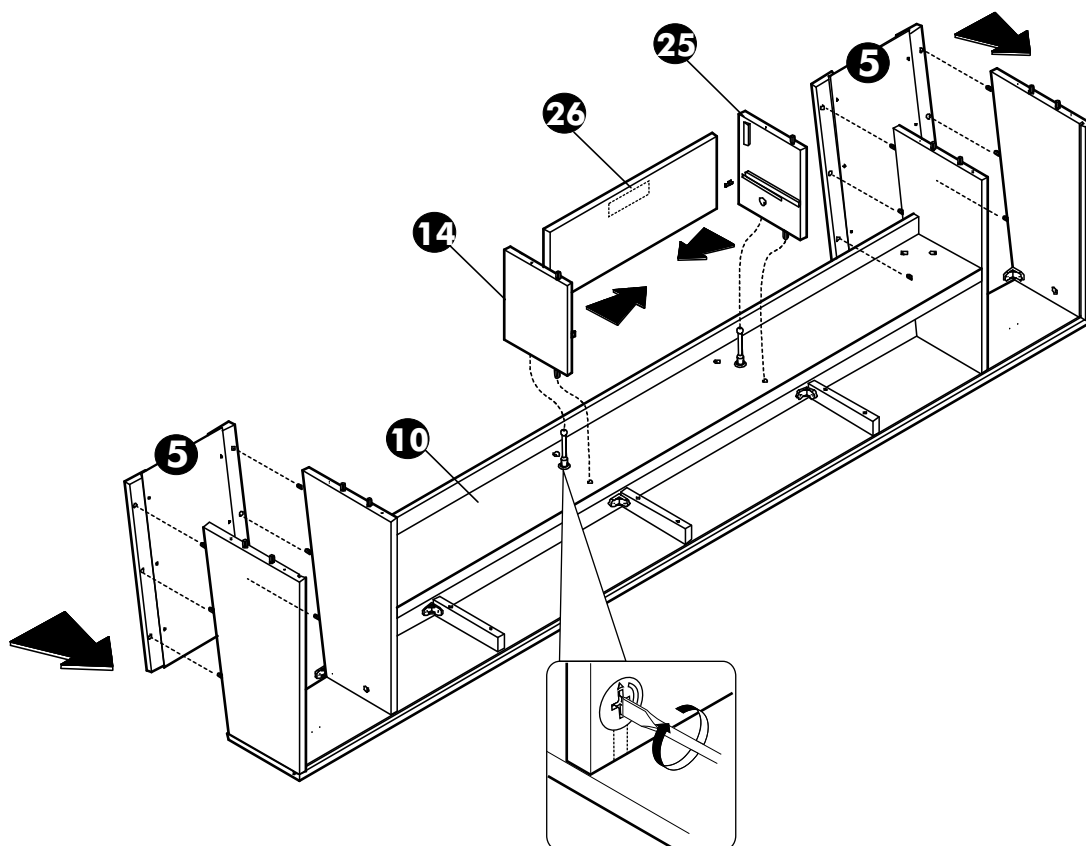
10.



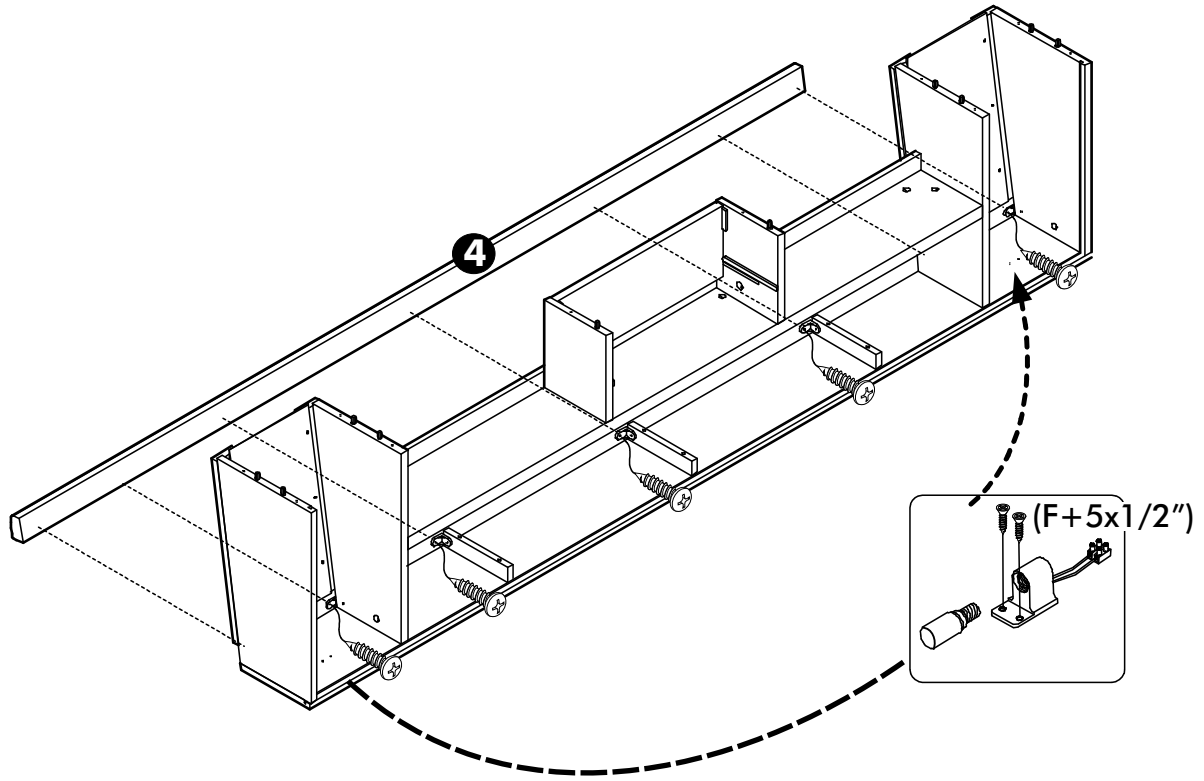
11.

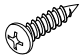


12.

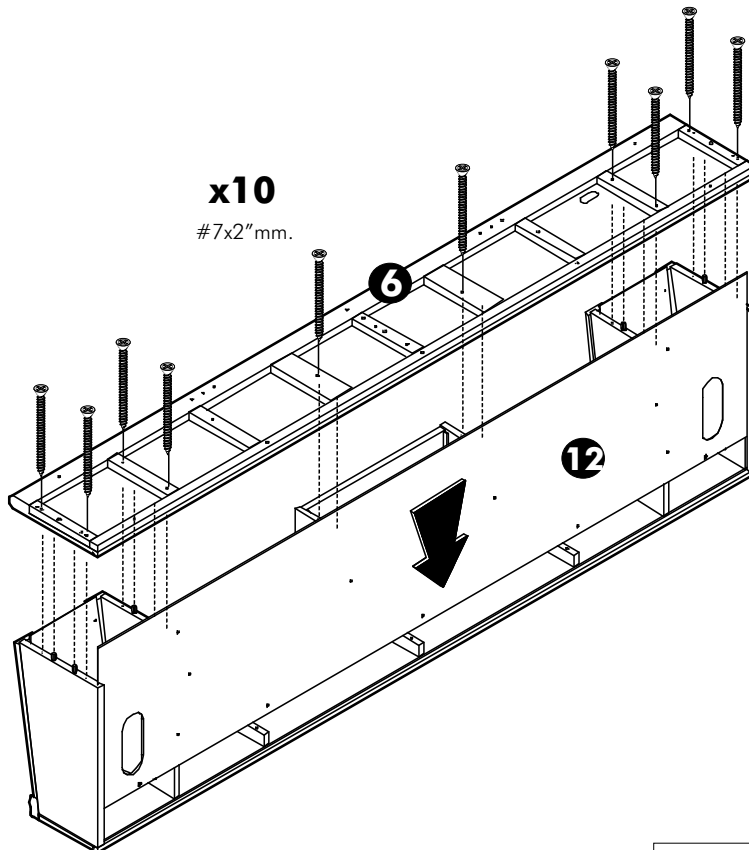


13.

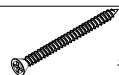


 #4x1/2"mm. **X 7**

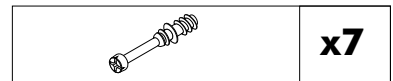
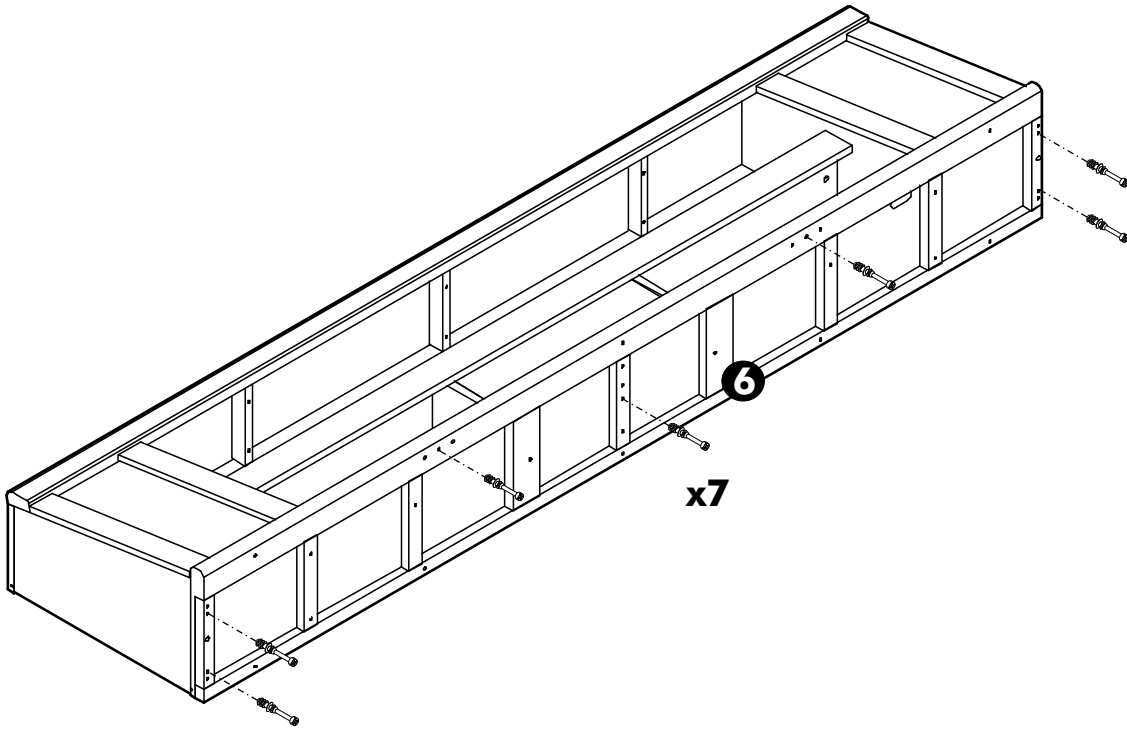
14.



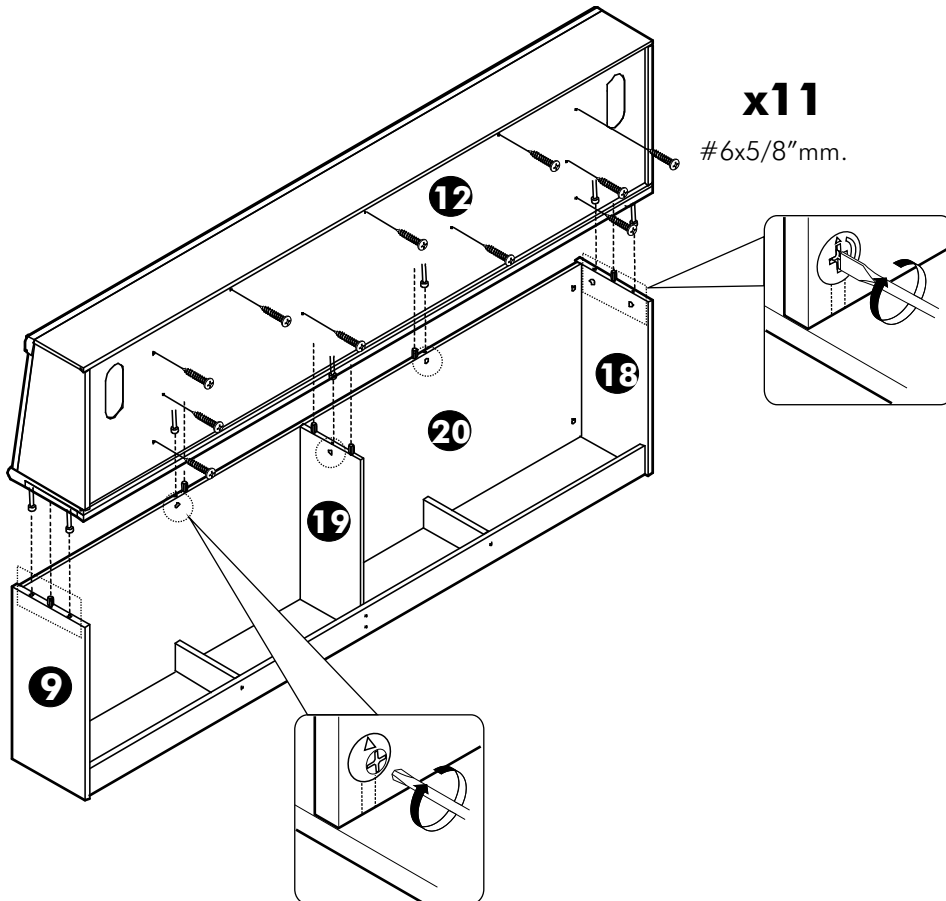
x10
#7x2"mm.

 #7x2"mm. **x10**

15.

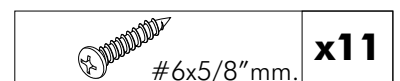


16.

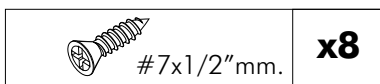
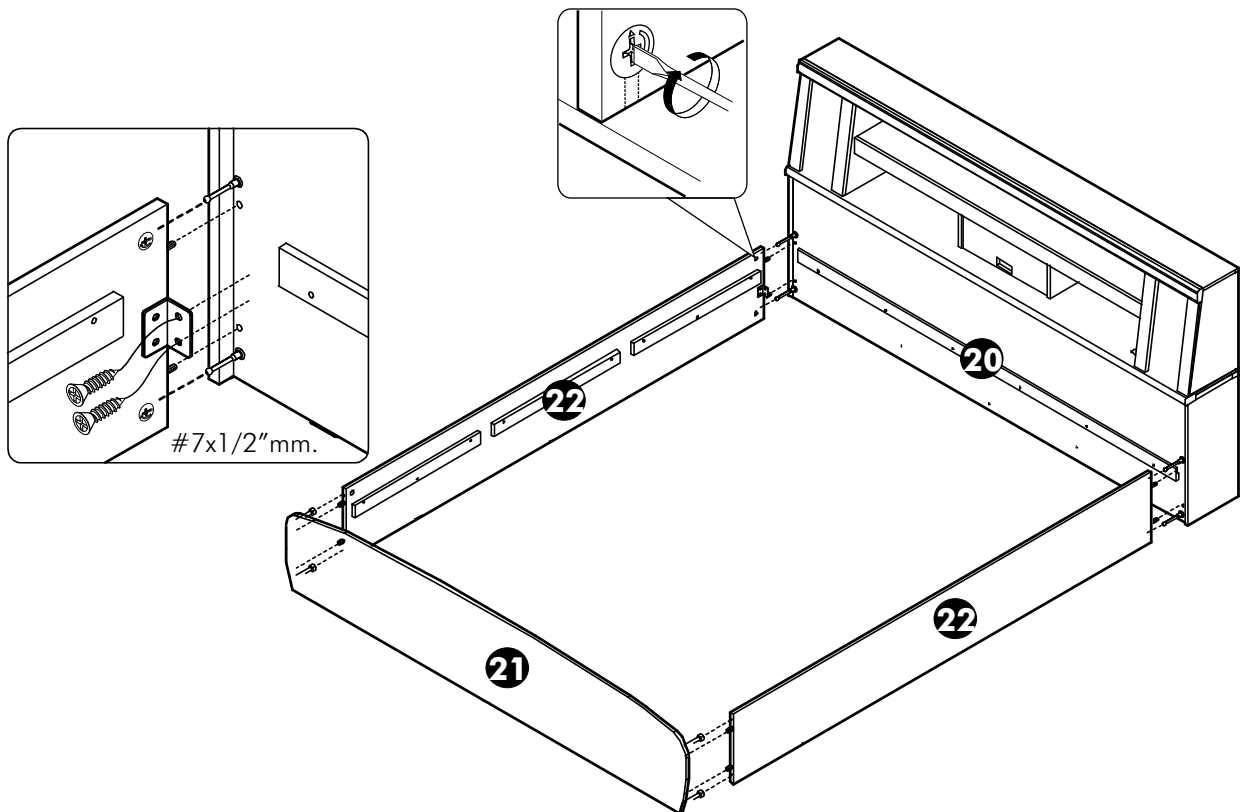


x11

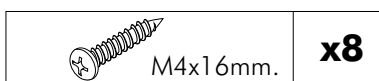
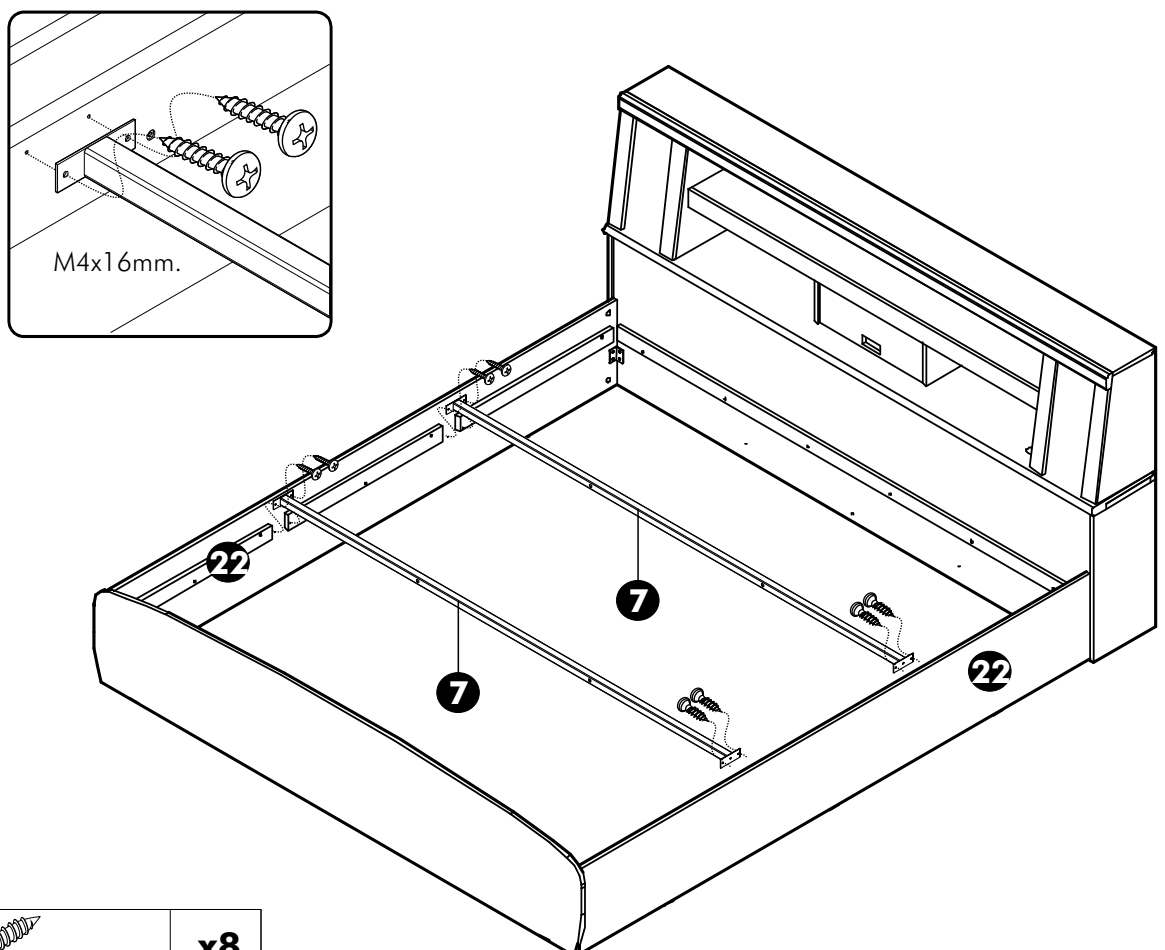
#6x5/8"mm.



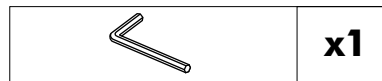
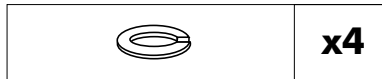
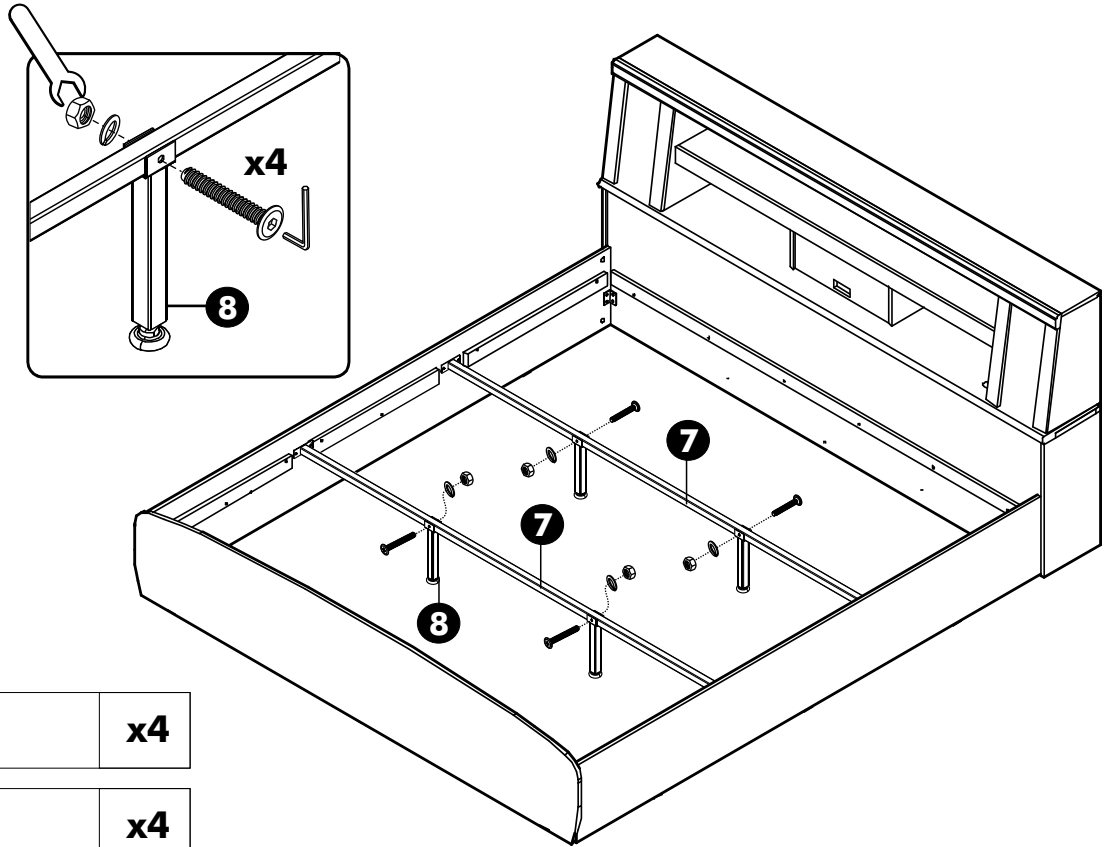
17.



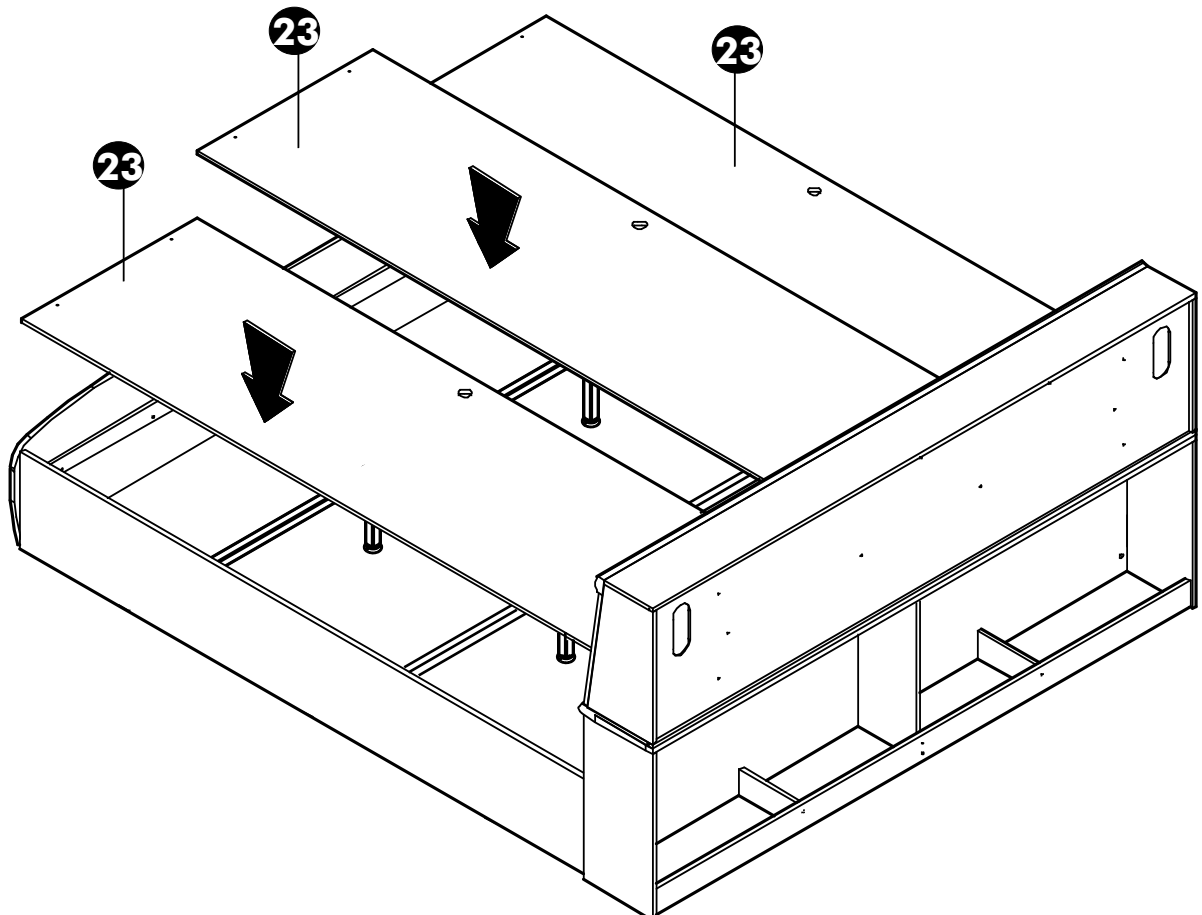
18.



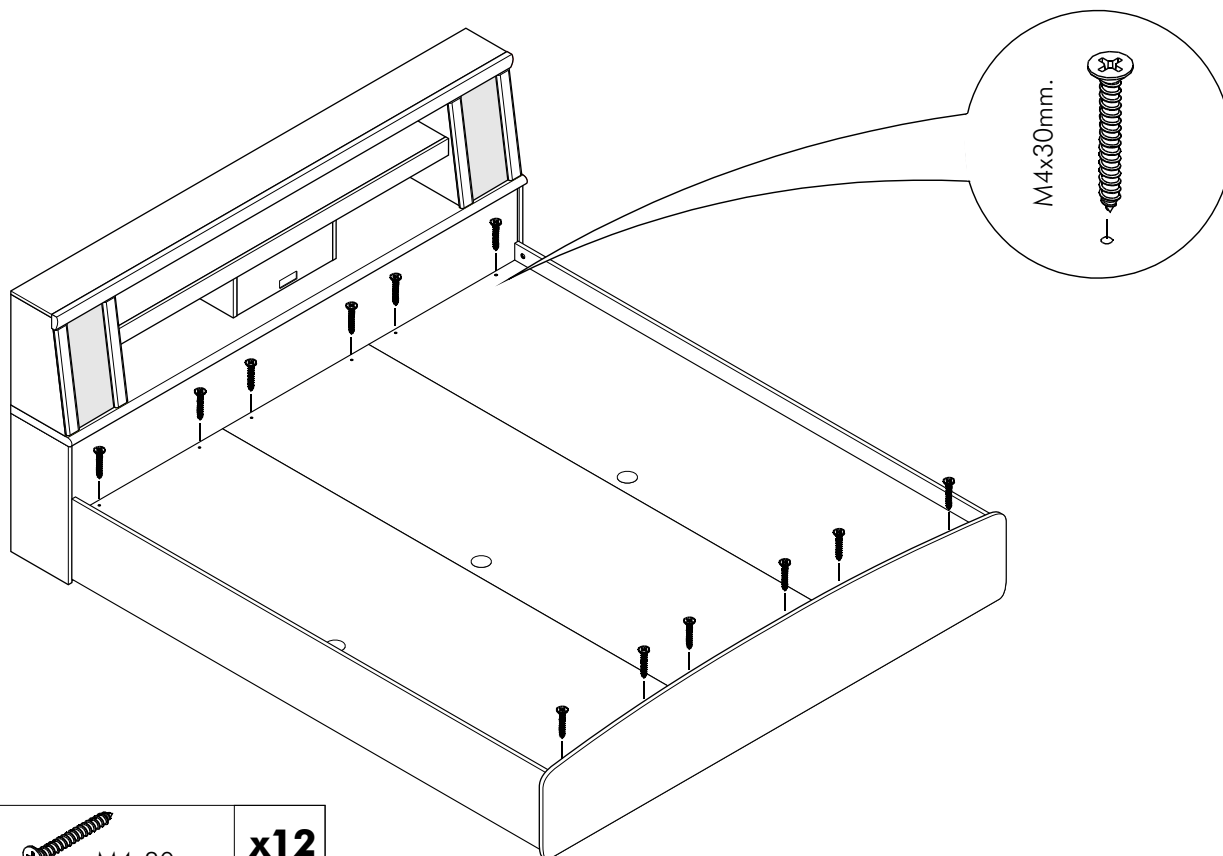
19.



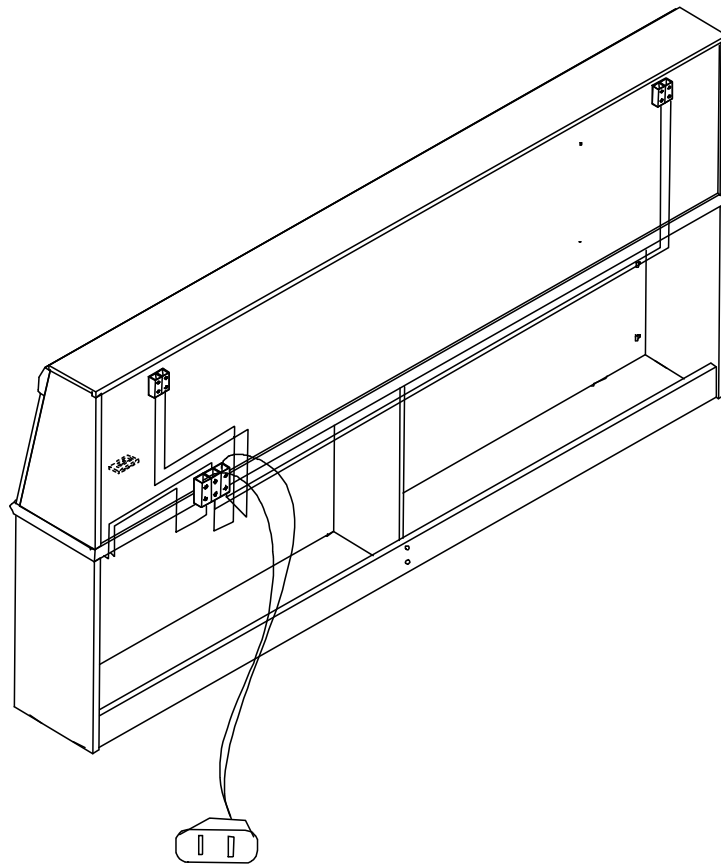
20.



21.



22.



CONTENTS:

- 1. SWITCH+SCREW.....1/2 Set.
- 2. LAMPS SET..... 2 Set.
- 3. CABLE+PLUG...4.00METE..... 1 PC.
- 4. CABLE.....0.60METE..... 1 PC.
- 5. CABLE.....2.30METE..... 1 PC.
- 6. CABLE.....0.35METE..... 1 PC.
- 7. CONNECTOR 6mm+SCREW..... 1 Set.
- 8. CONNECTOR 2.5mm+SCREW..... 2 Set.
- 9. BELT+NAIL..... 5 Set.

