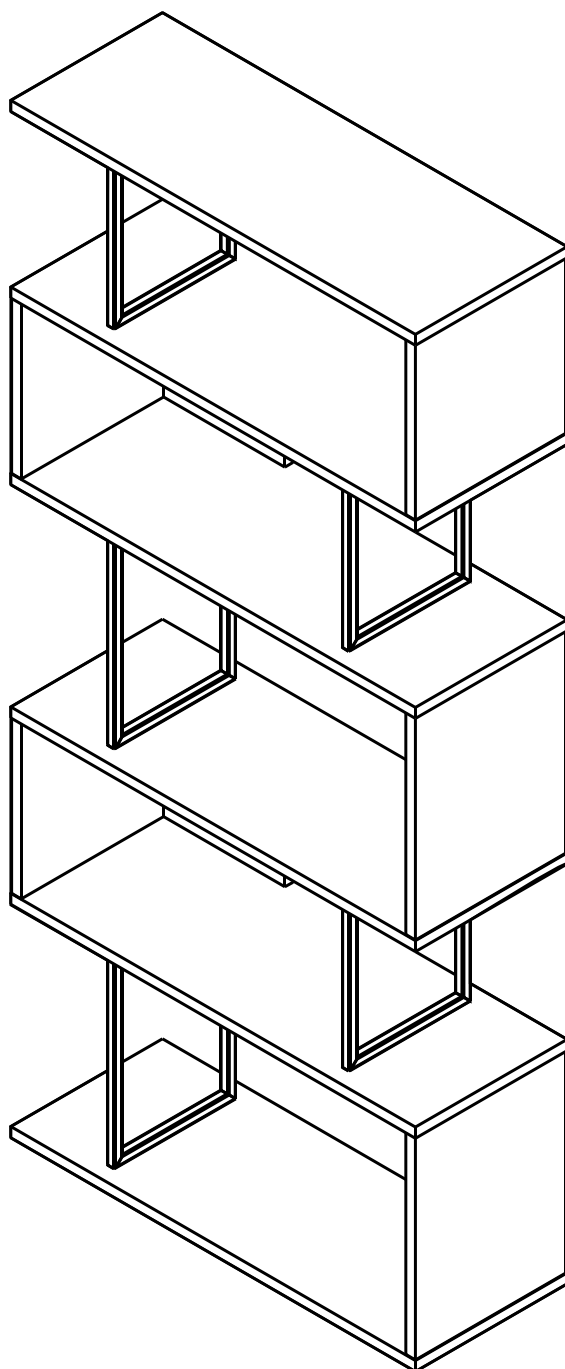
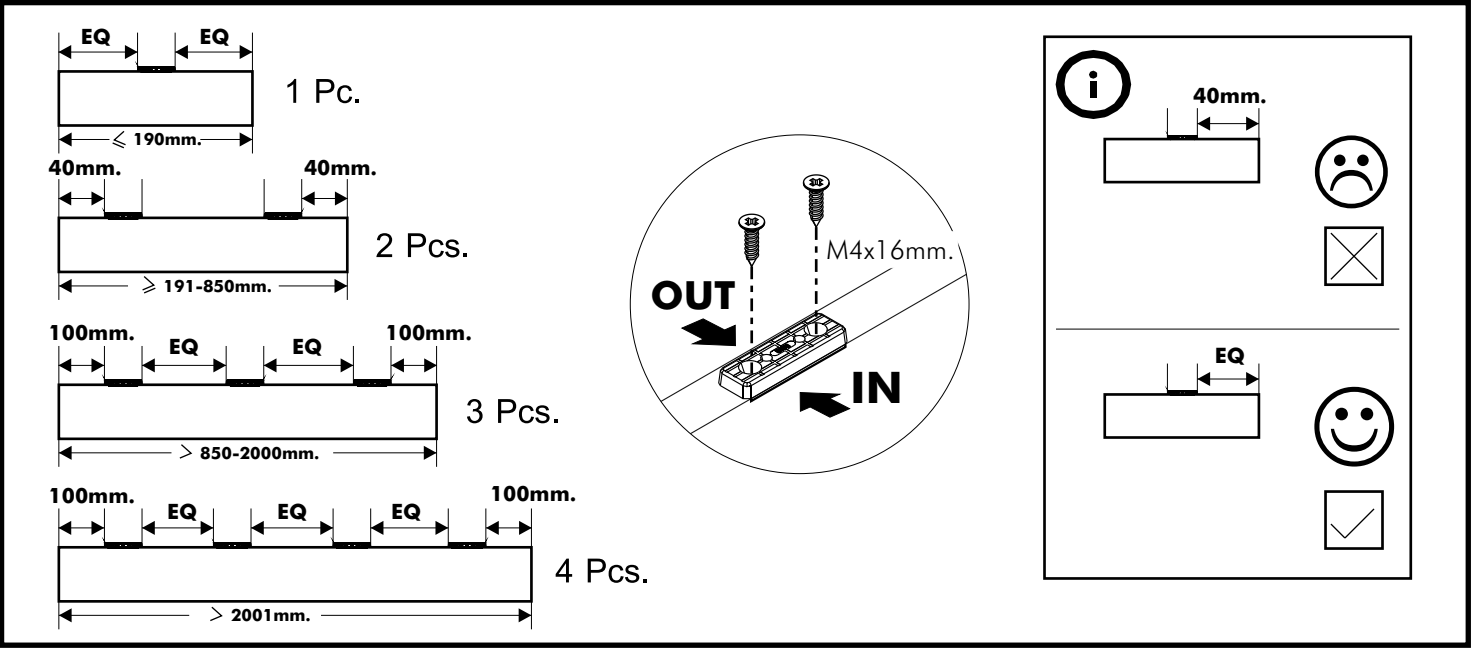
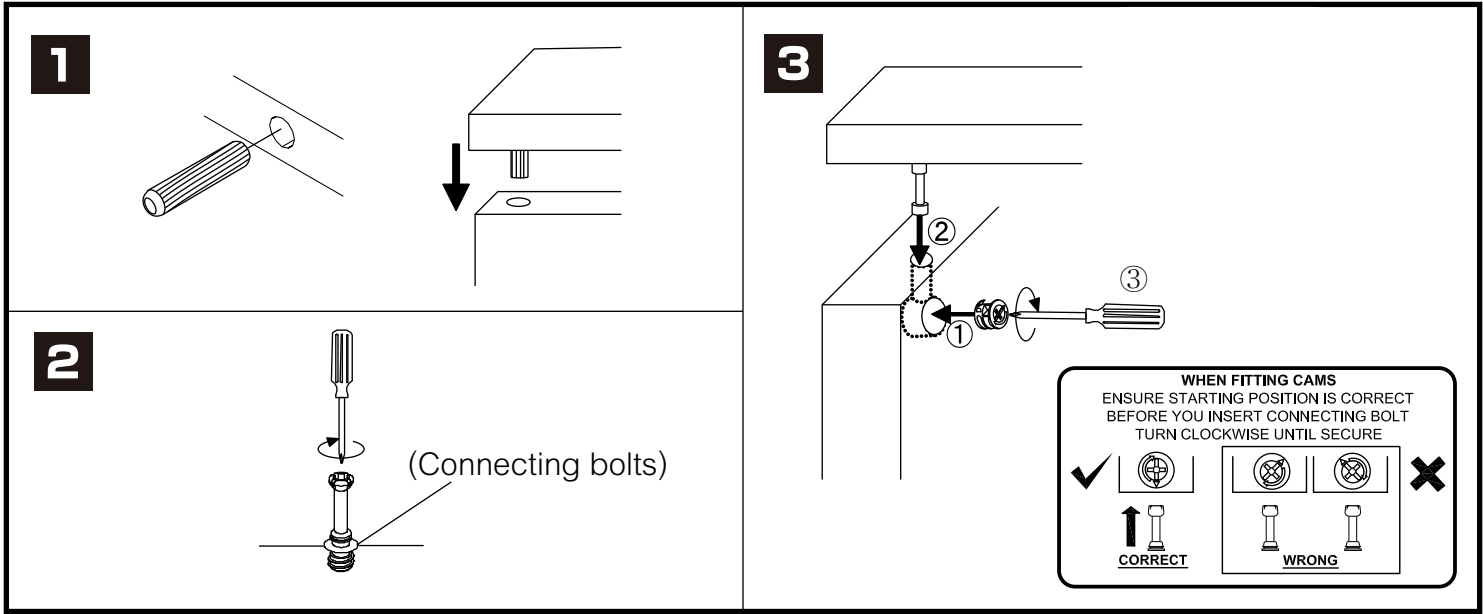


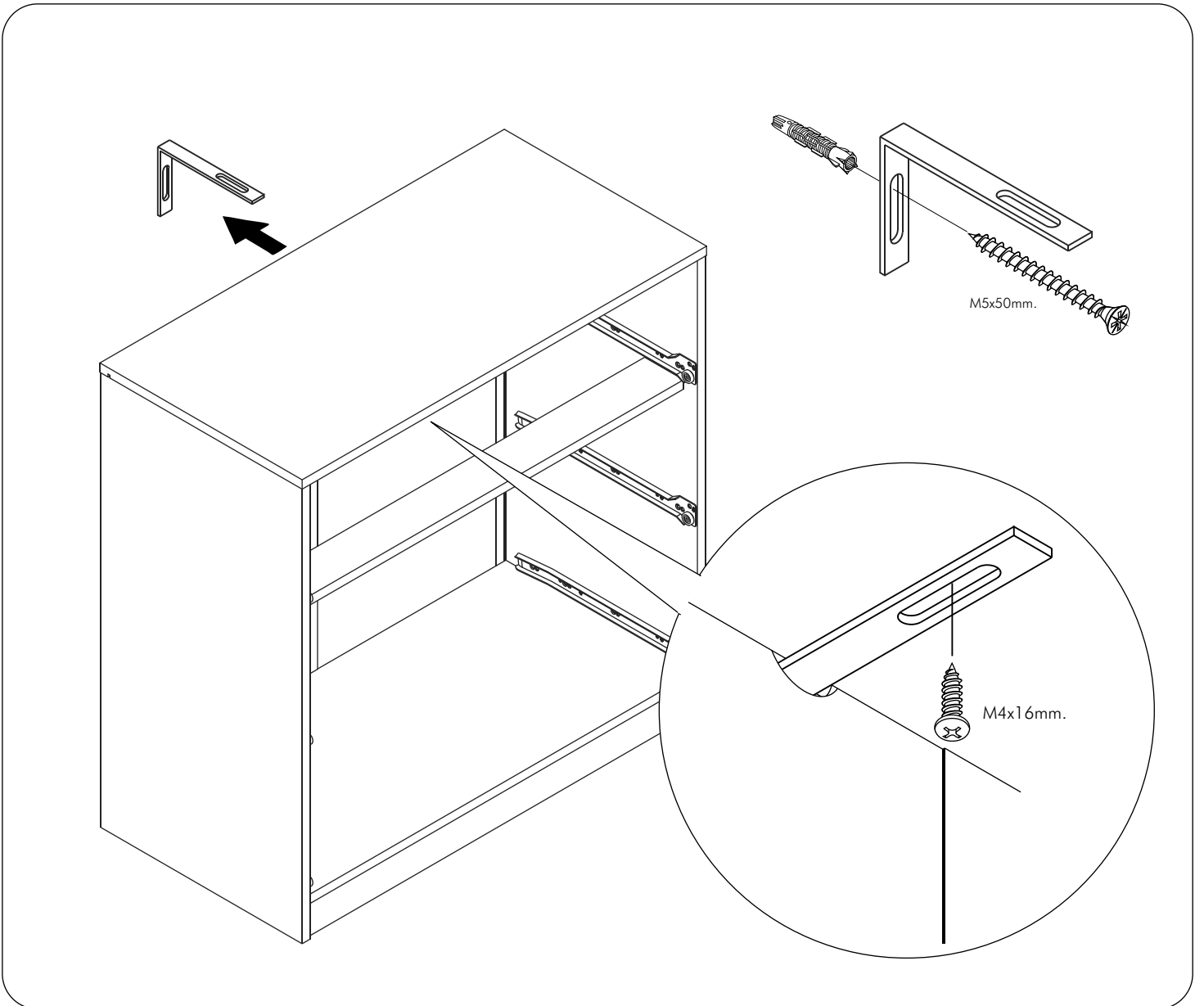
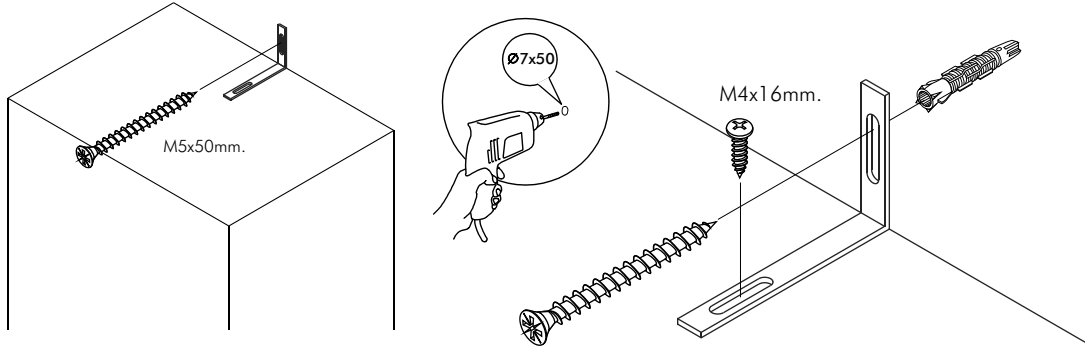
TADIO-P

Shelf 80 cm.



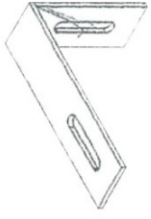
CONNECT SYSTEM



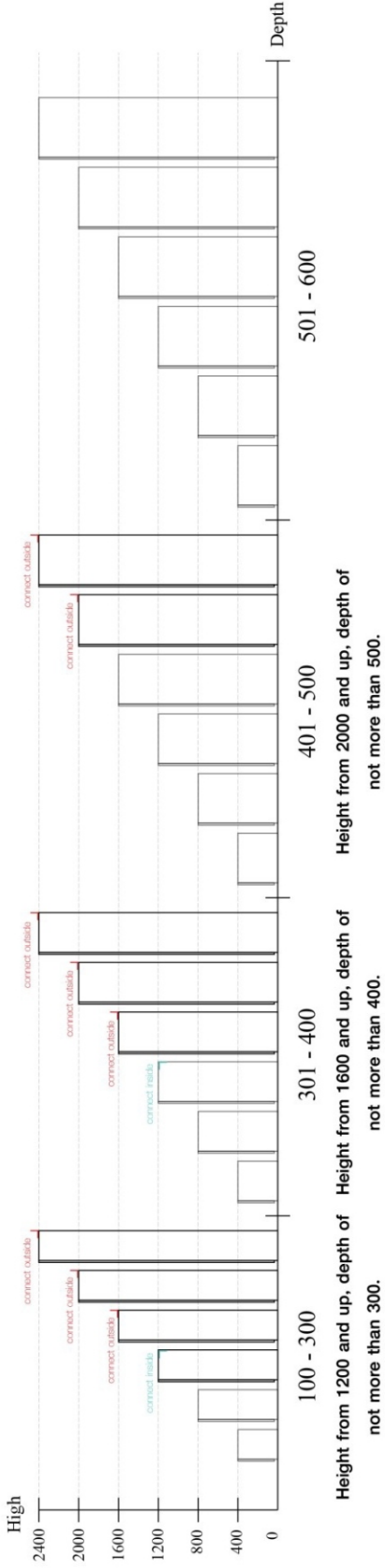


The Standard for identifying which mounted safety fall protection fitting to use **Note : That children's products must be installed with all anti-falling fittings.**

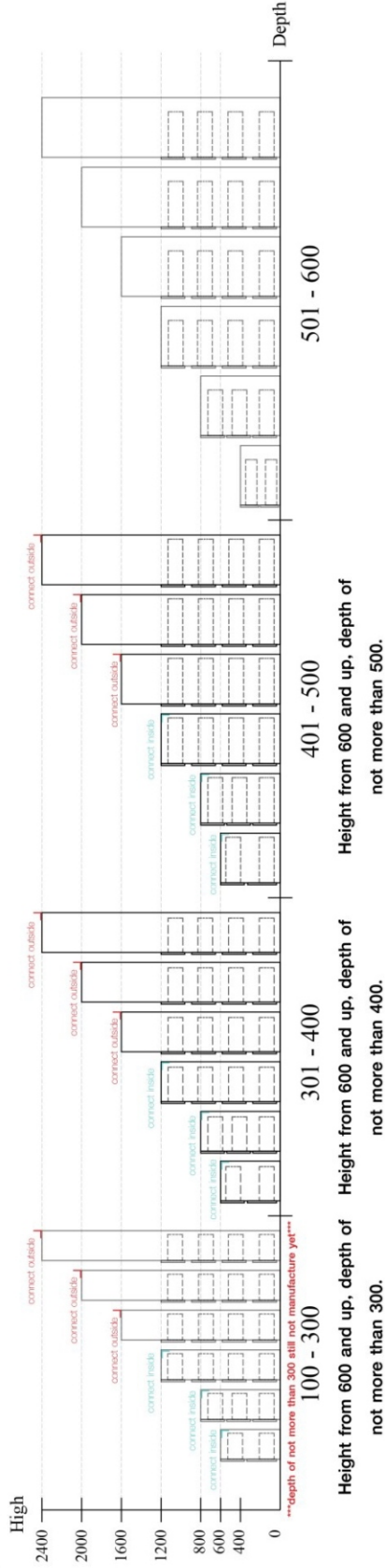
■ Mounted fall protection fittings



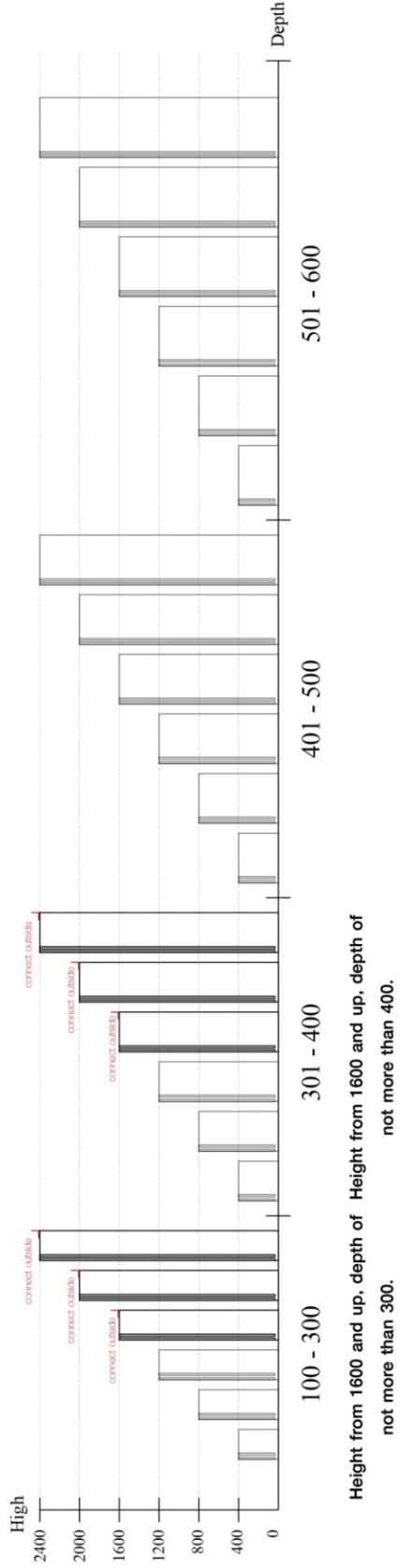
■ Category : Cabinet with open doors



■ Category : Chest of drawers



■ Category : Sliding door cabinet / Open cabinet



depth of not more than 300 still not manufacture yet

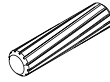
HARDWARE



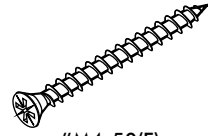
x 20



x 20

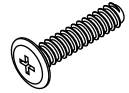


x 40



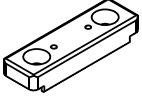
#M4x50(F)

x 20



#M6x25

x 20

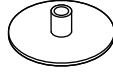


x 6



#M4x16(F)

x 12

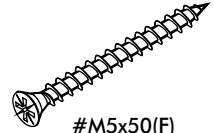


x 20



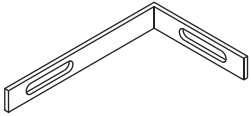
#M4x16(P)

x 1

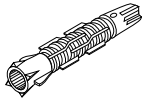


#M5x50(F)

x 1

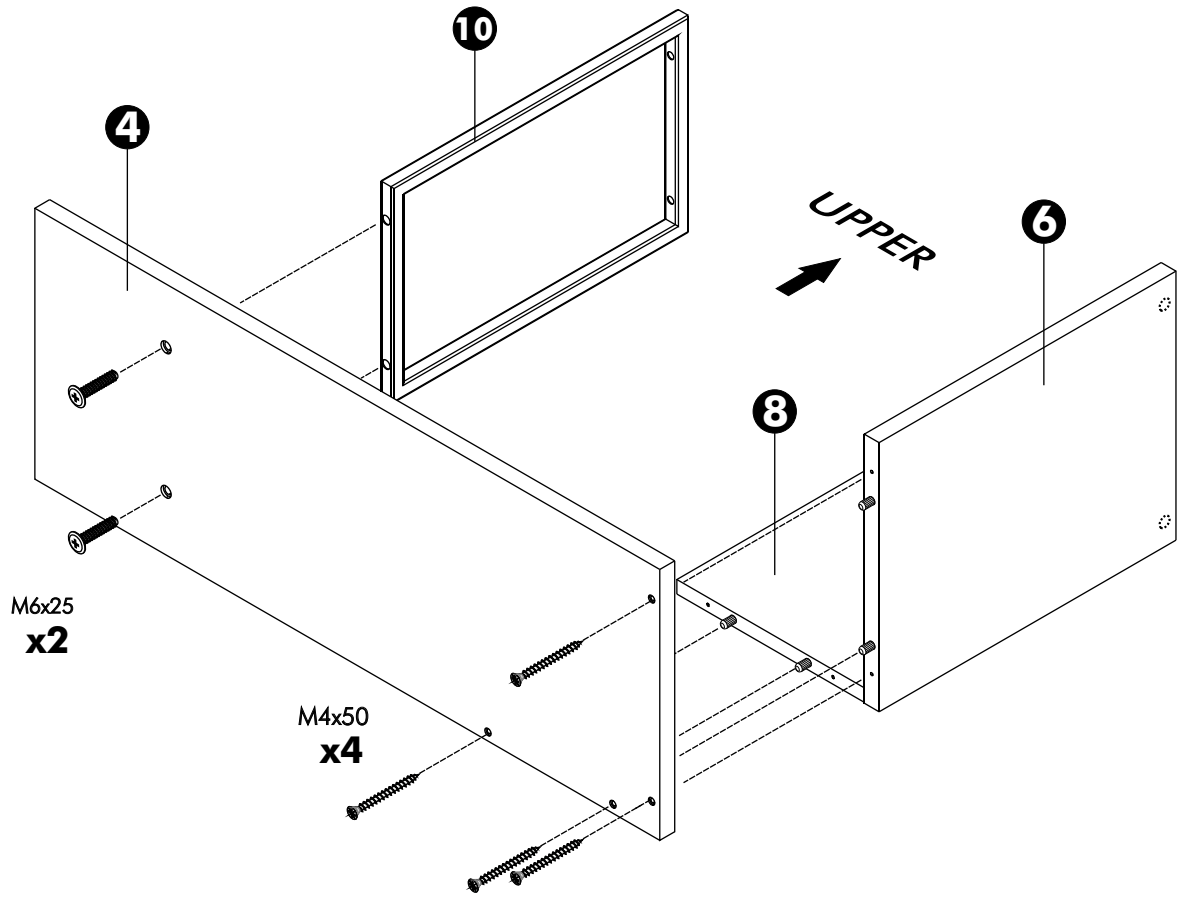


x 1

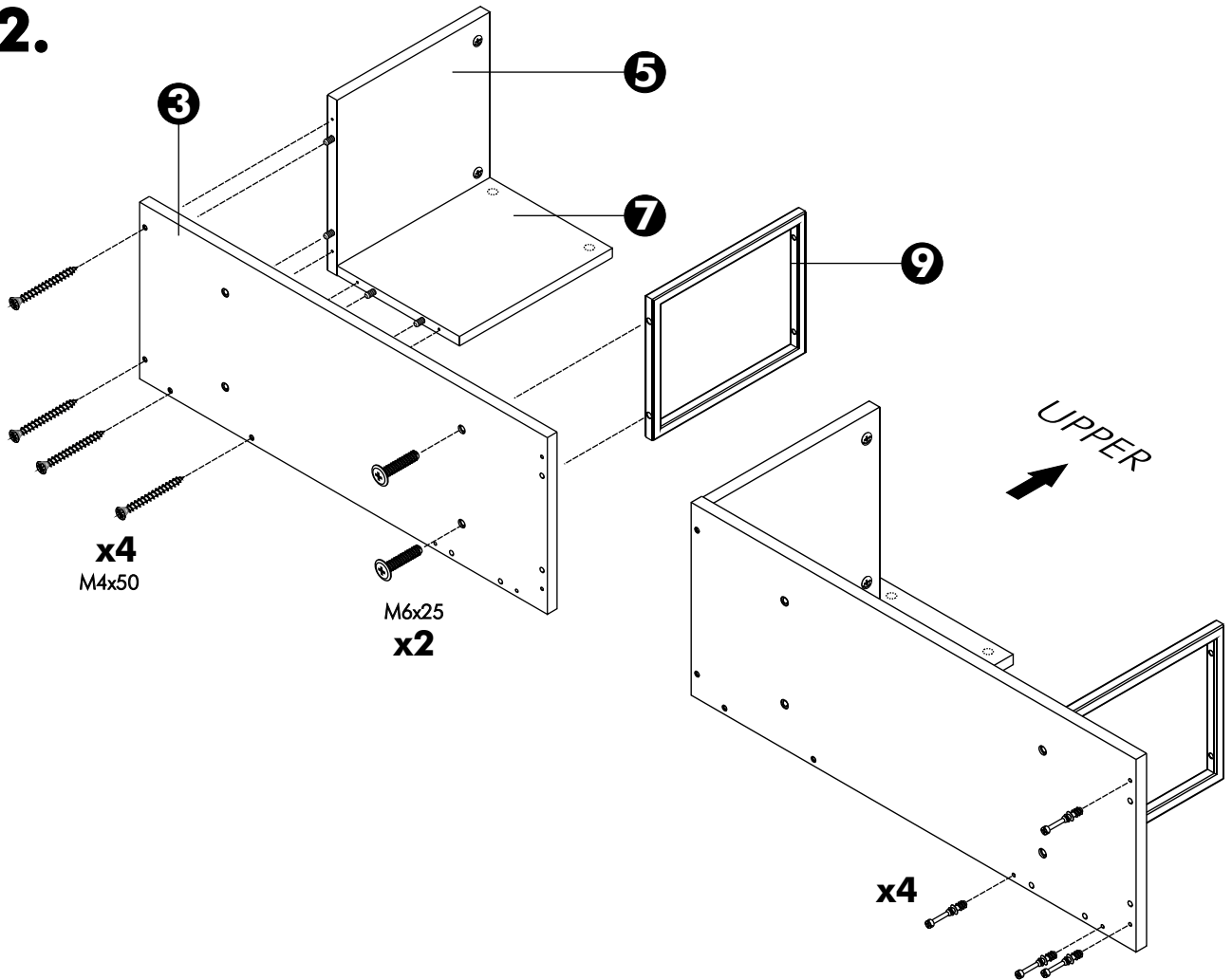


x 1

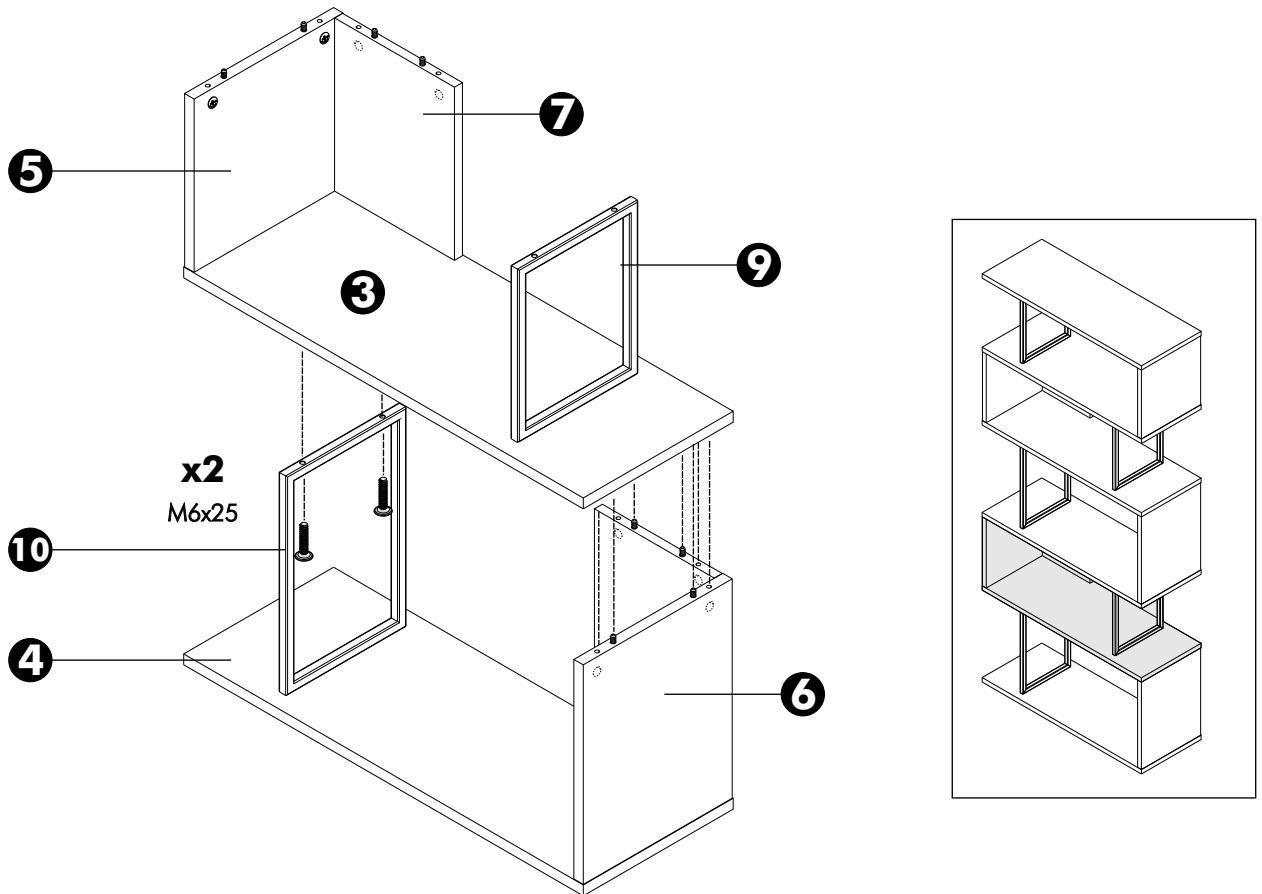
1.



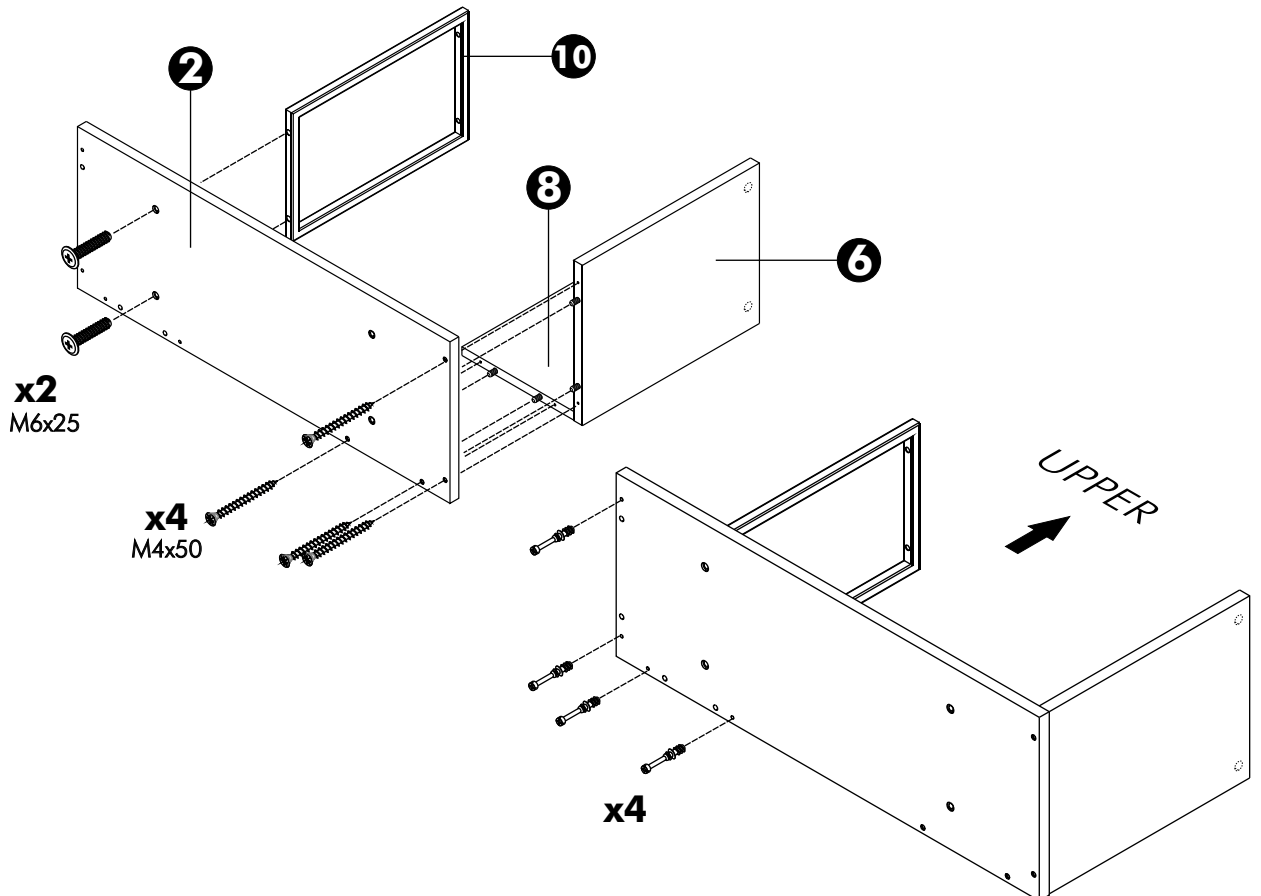
2.



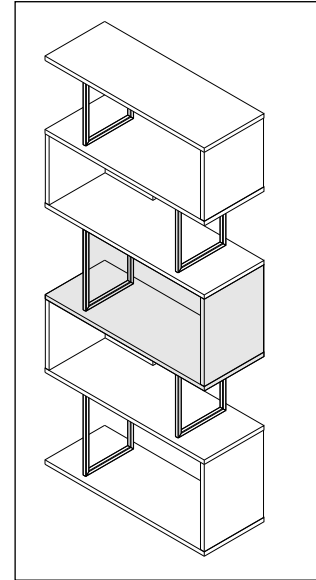
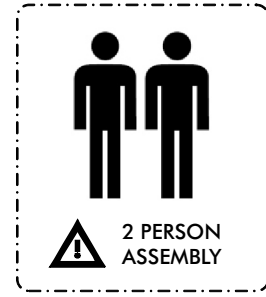
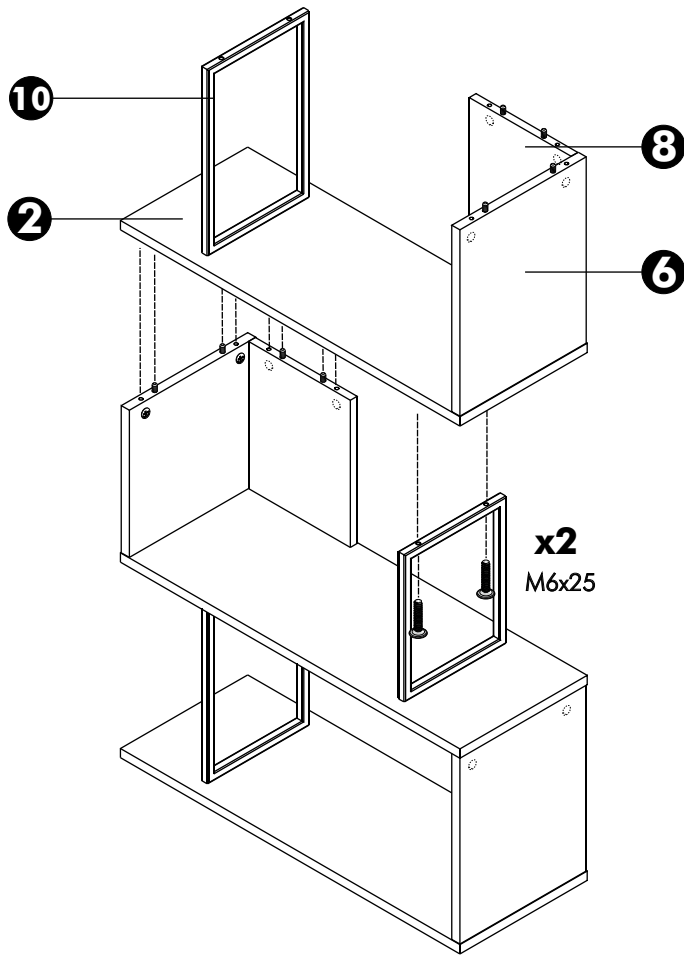
3.



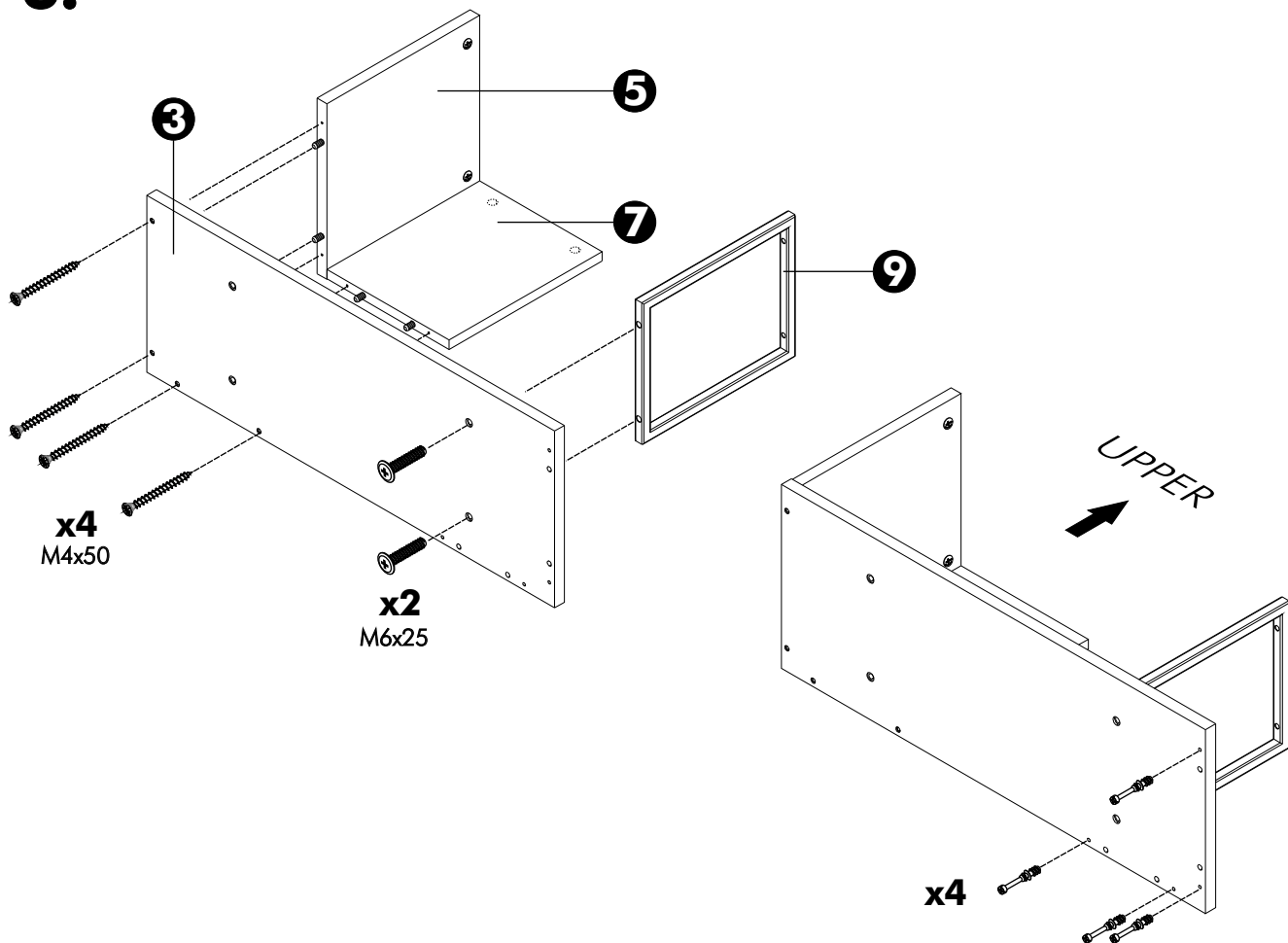
4.



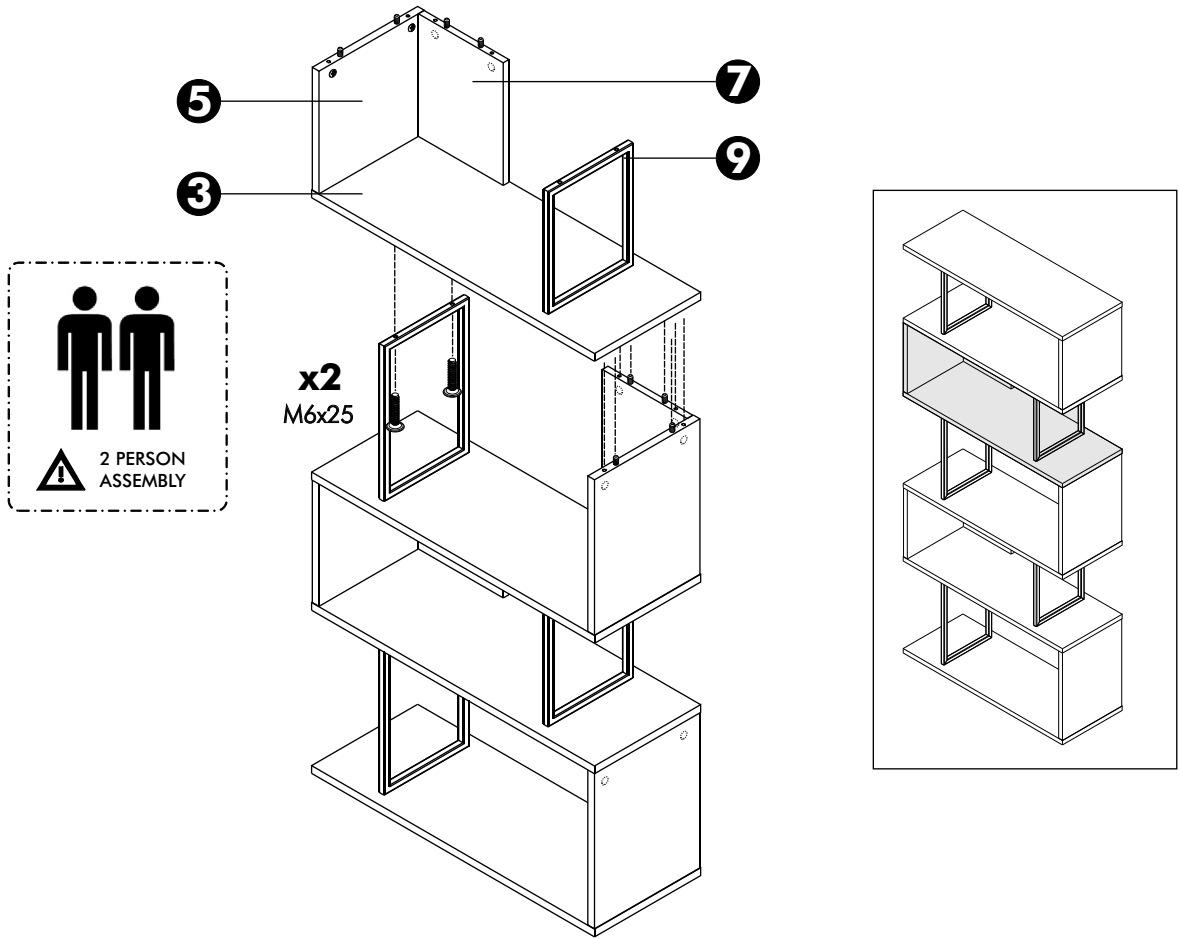
5.



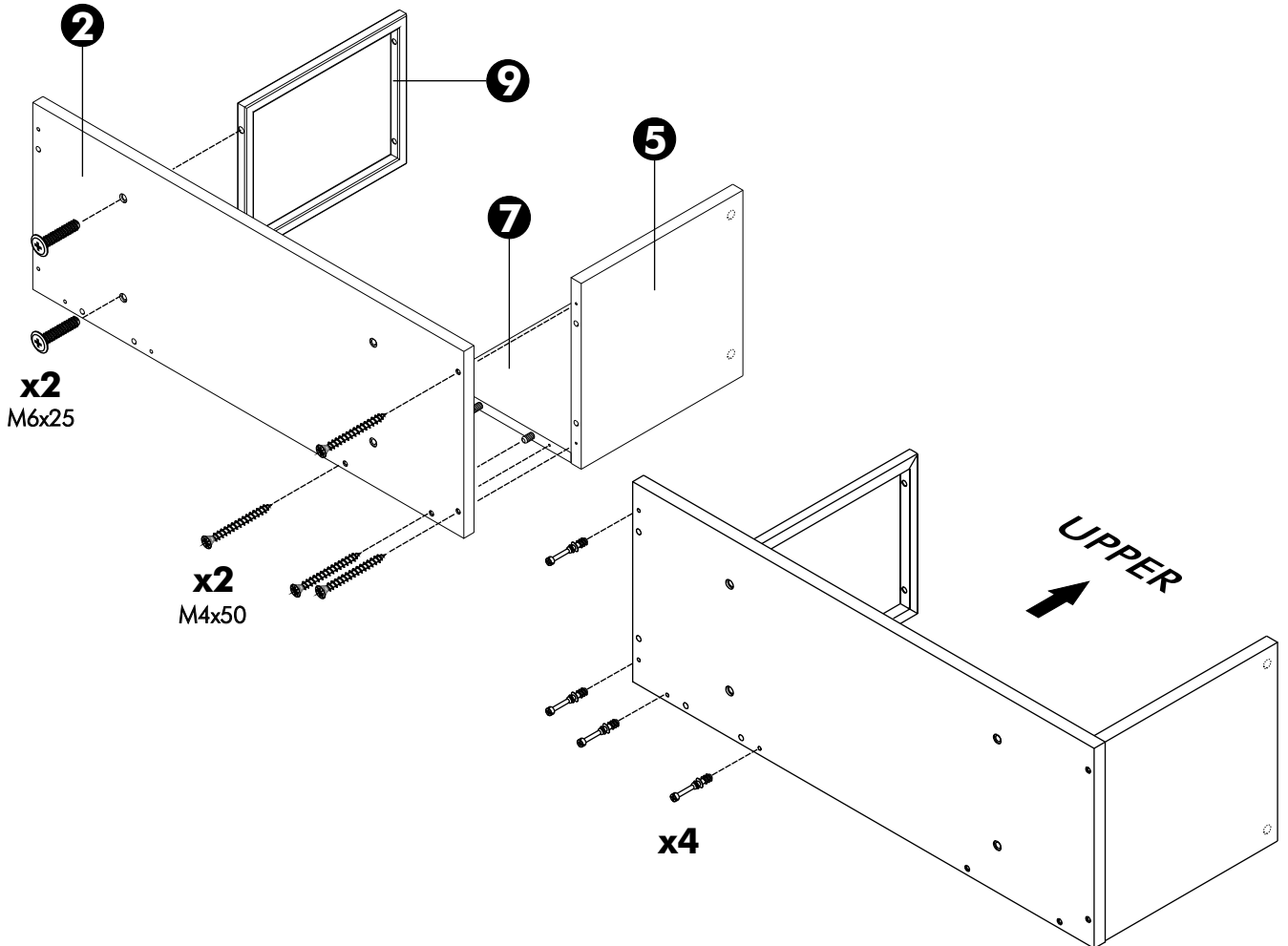
6.



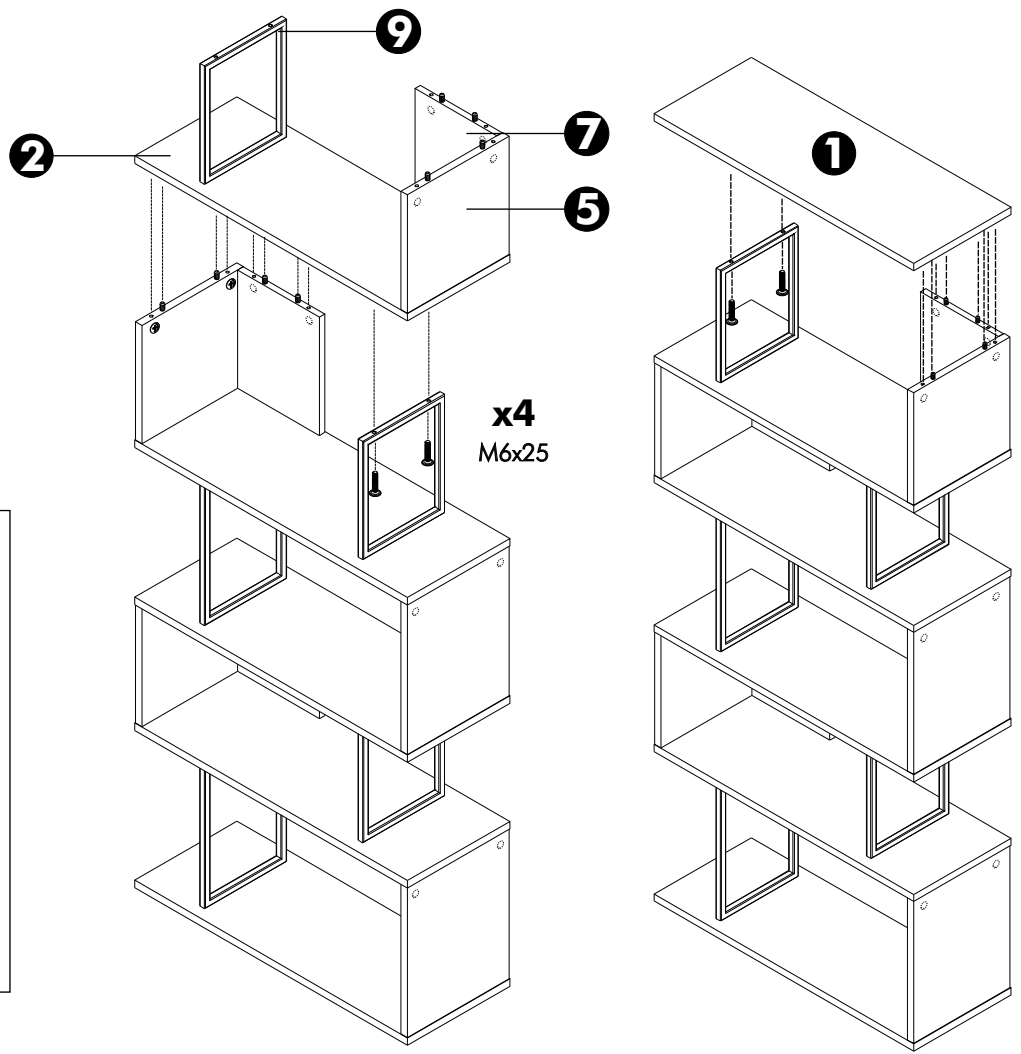
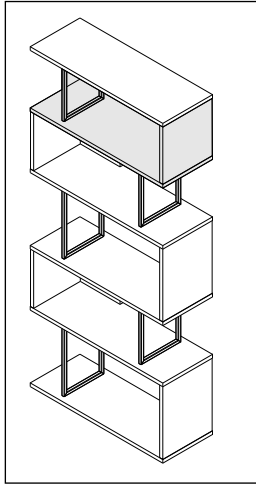
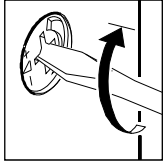
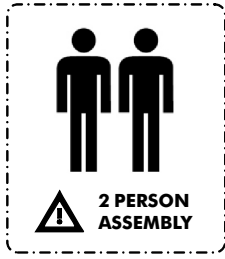
7.



8.



9.



10.

